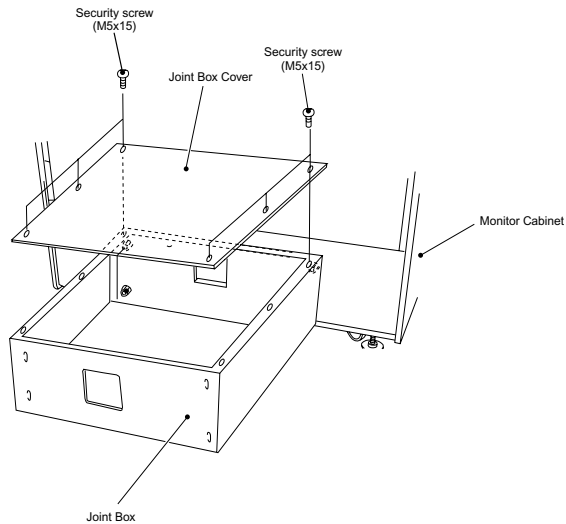


CRISIS ZONE DX - MODIFICATION

Before commencing this modification, ensure that the game is switched OFF and disconnected from the power supply

- 1 Remove 6 off security screw (M5x15), undo the lock and remove the Joint Box Cover.



- 2 Fit the new bridge rectifier as shown below using 1 off wood screws No6 x $\frac{3}{4}$ ".

3. Remove the fuse and the fuse holder cover.

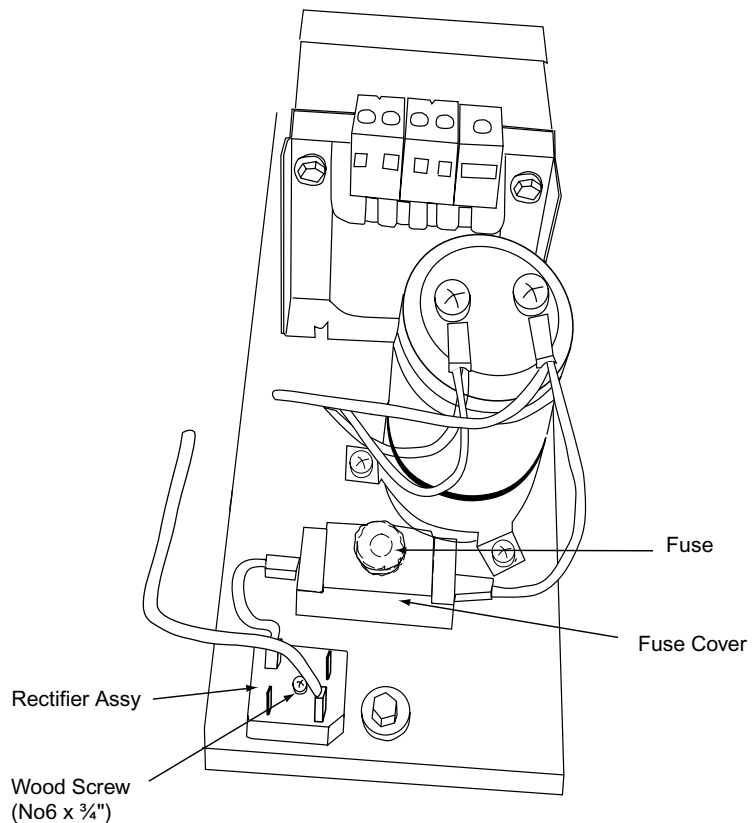
- 4 Disconnect the grey wire, going to the gun, from the fuse holder.

- 5 Connect the wire, with the flat blade, from the rectifier to the grey wire previously removed from the fuse holder.

- 5 Connect the other wire from the rectifier to the fuse holder.

7. Refit the fuse holder cover and fuse.

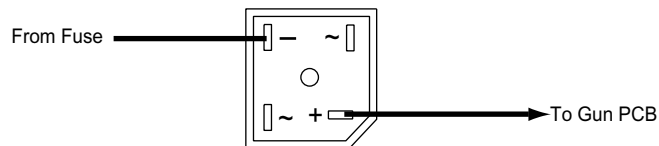
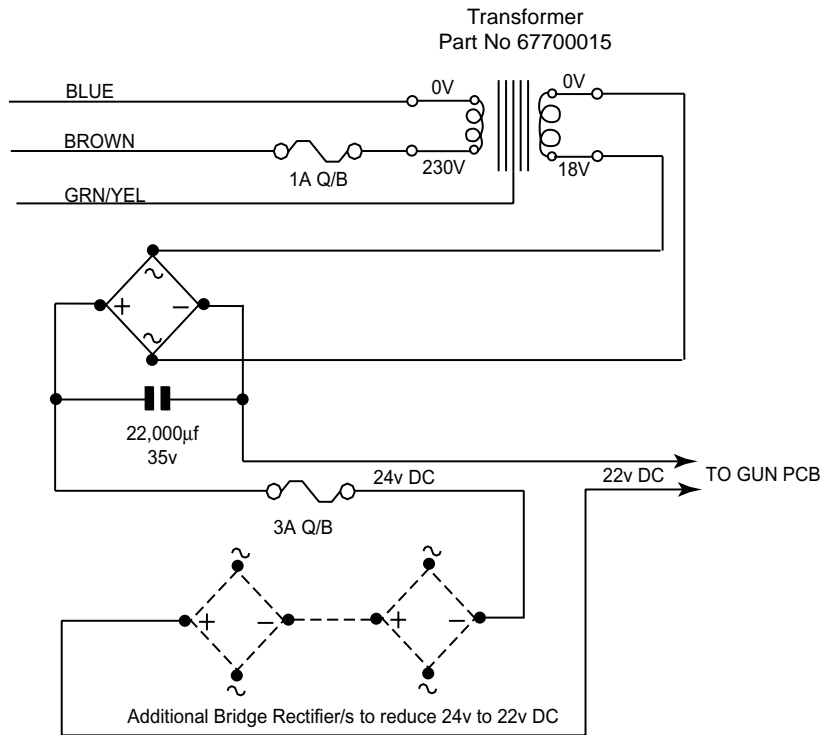
8. Refit the Joint Box Cover.



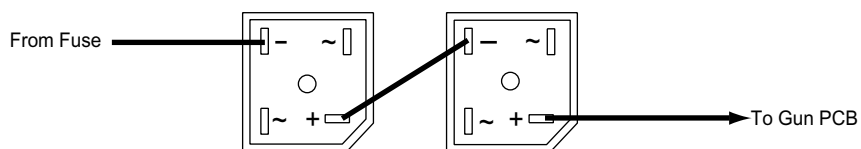
CRISIS ZONE

To extend the life of the Gun Motor, it has become necessary to reduce the voltage to the motor from 24v DC (as shown on the schematic), to 22v DC.

This has been accomplished by the addition of 1 or 2 bridge rectifiers placed in the circuit between the 24v DC 3A Fuse and the Gun PCB.



Bridge Rectifier
Part No. 71000040



IMPORTANT

Two model types of Toshiba Projection Monitor are used on the CRISIS ZONE DX.

The only visible difference is the Video Input Connection.

Model P503SG1 uses BNC connectors and Model P503SG2 uses a 15way mini 'D' Connector.

All Crisis Zone DX games have BNC connectors fitted to the Video Loom coming from the Joint Box.

When model P503SG2 is used, a "Toshiba BNC to D Adaptor Loom", (Part No 69200080), must be fitted. *(This adaptor loom should remain with the projection monitor if it is returned at any time for repair or exchange).*

