

AEROSMITH

SERVICE AND OPERATION MANUAL



WARNING

IMPORTANT HEALTH WARNING: PHOTSENSITIVE SEIZURES - A very small percentage of people may experience a seizure when exposed to certain visual images, including flashing lights or patterns. Even people with no history of seizures or epilepsy may have an undiagnosed condition that can cause "photosensitive epileptic seizures" due to certain visual images, flashing lights or patterns. Symptoms can include light-headedness, altered vision, eye or face twitching, jerking or shaking of arms or legs, disorientation, confusion, momentary loss of awareness, and loss of consciousness or convulsions that can lead to injury from falling down or striking nearby objects.

IMMEDIATELY STOP PLAYING AND CONSULT A DOCTOR IF YOU EXPERIENCE ANY OF THESE SYMPTOMS.

Stern Pinball machines are assembled in Elk Grove Village, Illinois, USA; each pinball machine has unique characteristics that make it a one-of-a-kind American-made product. Each machine will have variations in appearance resulting from differences in the machine's particular wood parts, individual silk screened art and mechanical assemblies. Stern Pinball has inspected each game element to ensure it meets our quality standards.

© 2016 Rag Doll Merchandising, Inc. Under License to Epic Rights.

Games configured for North America operate on 60 cycle electricity only. These games will not operate in countries with 50 cycle electricity (Europe UK, Australia).



MANUAL #780-5015-00
AEROSMITH PRO #500-5515-01

1-800-KICKERS - parts.service@sternpinball.com
www.sternpinball.com - [facebook.com/sternpinball](https://www.facebook.com/sternpinball)

TABLE OF CONTENTS

1. Setup and Moving	3	5.9 Auto Launch Assembly	36
1.1 First-Time Setup Instructions	3	5.10 Ball Trough Assembly.....	37
1.2 Adjustments Menu	6	5.11 40 Degree Kicker Assembly	37
1.3 Transporting the Game	7	5.12 40 Front Mold Assembly	37
1.4 Maintenance	8	5.13 Flipper Assembly, Left.....	38
1.5 Maintenance Kits	8	5.14 Flipper Assembly, Right	38
1.6 Common Parts.....	8	5.15 Pop Bumper Assembly	39
2. SPIKE System and Node Guide	9	5.16 Eject VUK Assembly #1	40
2.1 SPIKE System Overview	9	5.17 Eject VUK Assembly #2	40
2.2 Node Bus Cabling	9	5.18 Riveted Assembly - BUTY 12	41
2.3 System Power	9	5.19 Ball Guide Assembly 04.....	41
2.4 SPIKE Node addresses.....	9	5.20 Buty Assembly 02	41
2.5 SPIKE Node Programming.....	10	5.21 Buty Assembly 04	41
2.6 SPIKE System Terminology	10	5.22 Buty Assembly 05	42
2.7 Common SPIKE Node Boards.....	10	5.23 Buty Assembly 09	42
3. Light, Switch, and Driver Reference	11	5.24 Buty Assembly 10	42
3.1 SPIKE Node Boards.....	11	5.25 Buty Assembly 12	42
3.2 Driver Reference	11	5.26 Buty Assembly 14	43
3.3 Switch Reference	13	5.27 Buty Assembly 30	43
3.4 Light Reference.....	16	5.28 Buty Assembly 32	43
3.5 Motor Reference	21	5.29 Buty Assembly 35	43
4. Electronic Pinouts and Schematics	22	5.30 Buty Assembly 40	44
4.1 SPIKE-2 CPU Node 0	22	5.31 Buty Assembly 41	44
4.2 Node 1 Cabinet.....	24	5.32 Pop Bumper Assembly	44
4.3 Lower Playfield 48V Driver Pinout Node 8	25	5.33 Bumper Ring Top Assembly.....	44
4.4 Mid Upper Playfield 48V Driver Pinout Node 9	26	5.34 Toy Box Plate Assembly	45
4.5 Feature LED Board 8b	27	5.35 Ark Slider-Crank Assembly	45
4.6 Right LED Board 8c	27	5.36 Toy Box Up Kicker Assembly	46
4.7 Left LED Board 8d	28	5.37 Gate Assembly.....	46
4.8 Serial Motor Driver Board 8e	28	5.38 Toy Box Tube Assembly.....	46
4.9 Center LED Board 9a	29	5.39 Toy Box Bumper Assembly.....	46
4.10 Through Serial Opto Receiver Extension 8a	29	5.40 Toy Box Front Plate Assembly	47
4.11 Main Power Supply.....	29	5.41 Back Panel Assembly	47
4.12 Power Distribution Board.....	30	5.42 Left Ramp Assembly.....	47
4.13 Power Plug Wiring.....	30	5.43 Right Ramp Assembly	47
5. Parts Reference	31	6. Specifications	48
5.1 Playfield Rubber Parts	31	6.1 Game Dimensions.....	48
5.2 Rubber Size Chart.....	31	6.2 Warranty.....	49
5.3 Playfield Assemblies, Top	32	6.3 Warnings, Compliance, and Legal Notices.....	49
5.4 Playfield Assemblies, Bottom	33		
5.5 Backbox Parts.....	34		
5.6 Speaker Panel Parts	34		
5.7 Cabinet Parts	35		
5.8 Ball Shooter Assembly.....	36		



1. SETUP AND MOVING

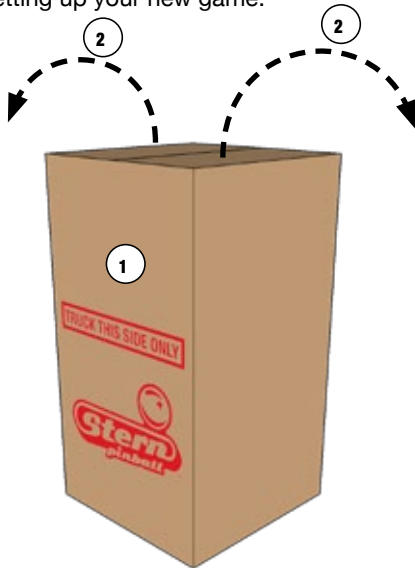
1.1 FIRST-TIME SETUP INSTRUCTIONS

Your brand new Stern Pinball Machine is carefully packed for safety and security. For your safety, exercise caution and use the correct tools and sufficient help when setting up your new game.

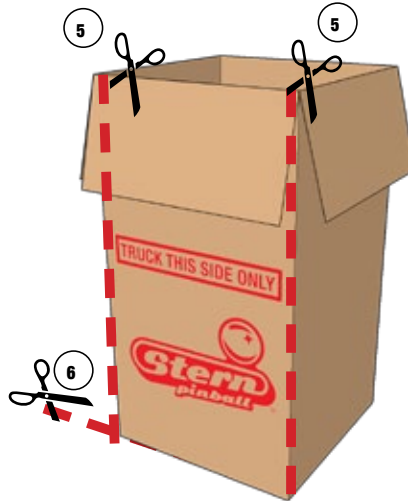
TOOLS REQUIRED

- 5/8" Socket Wrench
- Utility Knife
- Snips
- An Assistant

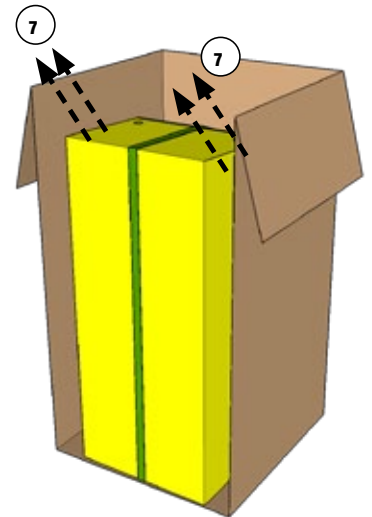
CAUTION: AT LEAST TWO (2) PEOPLE ARE REQUIRED TO MOVE AND MANEUVER THE GAME. USE PROPER MOVING EQUIPMENT AND EXTREME CARE WHILE HANDLING. STERN PINBALL MACHINES WEIGH OVER 250LBS BOXED.



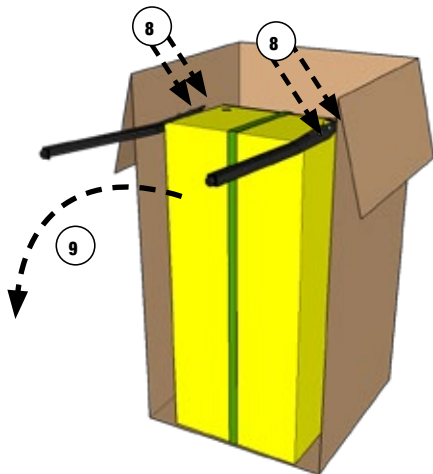
1. Locate the side labeled "TRUCK THIS SIDE ONLY". The bottom of the game faces this side.
2. Open the top box flaps by pulling hard in an upward motion on each flap. If the flaps are taped, cut the tape first, taking care to avoid the box staples.



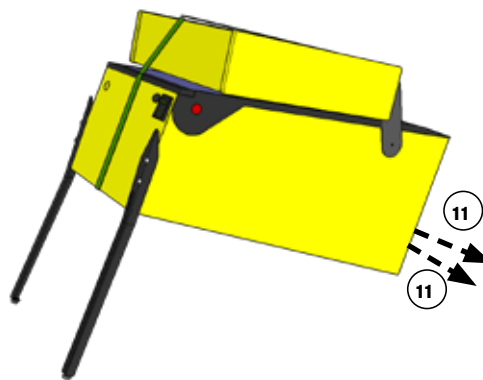
3. Remove the four (4) foam pieces and two (2) narrow box tubes which contain the four (4) identical legs with levelers.
4. DO NOT CUT STRAPPING YET. Keep backbox secured in the down position.
5. With the utility knife, carefully cut down the left and right corners of the box.



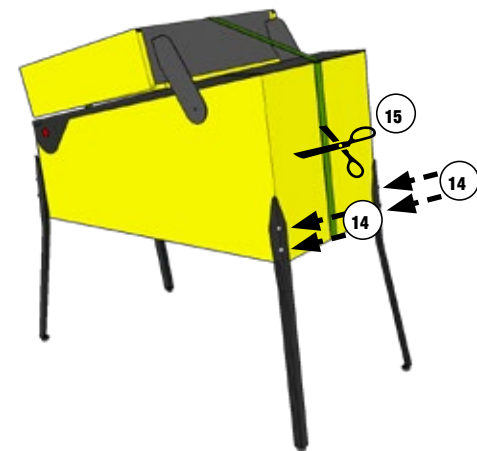
6. Let the face fall forward and remove the entire side by carefully cutting the bottom.
7. With the game still in its folded position, use a 5/8" wrench to loosen and remove the 2 leg bolts on each side of the front cabinet. Ensure the leg levelers are screwed all the way into the legs.



8. Install front legs using the bolts removed from the cabinet. Secure tightly.
9. Have someone help you carefully set the game down on the front legs.



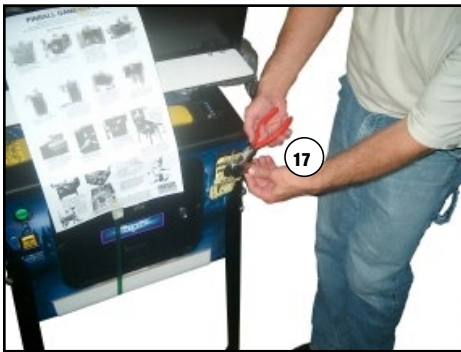
10. Set aside the open box.
11. With a 5/8" socket wrench, loosen and remove the 2 leg bolts on each side of the rear cabinet, 4 total.



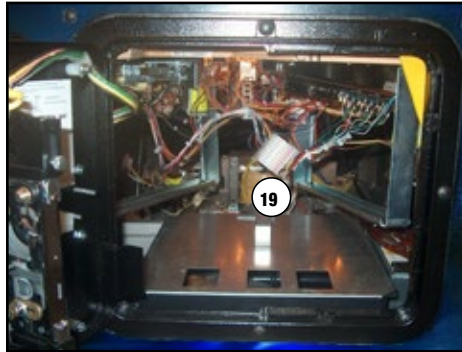
12. Using supports or two people, prop the rear of the cabinet up.
13. Ensure the rear leg levelers are screwed all the way into the legs.
14. Install rear legs using the 4 bolts removed from step 11.



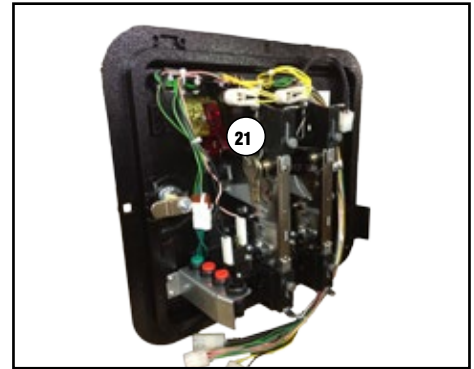
FIRST-TIME SETUP CONTINUED



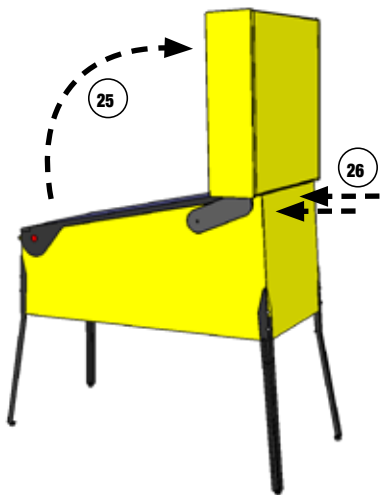
- 15. Cut nylon strapping and remove protective strap corner guards.
- 16. Locate the factory keys, either on the shooter rod or taped to the playfield glass.
- 17. Using snips, cut the tie-wrap securing the keys if required. One set of keys is for the front coin door, the other set of keys is for accessing components in the backbox.



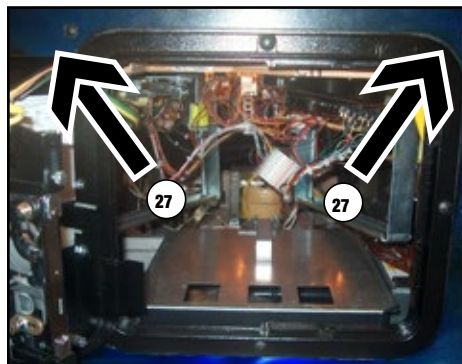
- 18. Open the front coin door.
- 19. Reach into the game and remove the retaining clip at the rear of the cash box.
- 20. Remove the cash box lid by sliding it toward you.



- 21. Store the backbox keys, if desired, on the metal hook located in the coin door.
- 22. Locate and remove the pinballs, plumb bob, and backbox bolts from the cash box.
- 23. Replace the cash box lid and retaining clip for future use.



- 24. Locate the two (2) backbox bolts in the cash box.
- 25. Carefully raise backbox to upright position while ensuring that cables are not pinched.
- 26. Use the 5/8" wrench to install the two (2) backbox bolts to secure the backbox as indicated on the back of the cabinet.



- 27. Reach inside the cabinet and lift the two latches located on either side of the coin door.
- 28. Remove the front top molding.



- 29. Remove the playfield glass by sliding it toward you and carefully place it in a safe location. Remove all playfield shipping tie downs, shipping blocks, and packing foam, and follow any game-specific unpacking instructions included in the playfield, if present.

CAUTION: PLAYFIELD GLASS IS MADE FROM HIGH-STRENGTH TEMPERED GLASS. TEMPERED GLASS IS SENSITIVE TO EXTREME TEMPERATURE SHIFTS AND CORNER NICKS, WHICH CAN CAUSE THE GLASS TO FAIL CATASTROPHICALLY. TAKE CARE TO STORE THE GLASS ON A SOFT, ROOM-TEMPERATURE SURFACE AND PREVENT THE CORNERS FROM BEING DAMAGED.

FIRST-TIME SETUP CONTINUED

30. If pinballs were already installed into the lower ball trough, remove them before lifting the playfield.
31. Grasp the lower arch between the flippers, and firmly but gently pull directly up to raise the playfield 8 to 12 inches.
32. While holding the playfield up, pull the playfield toward you until the two playfield supports are over the front edge of the cabinet.
33. Rest the playfield on the front edge of the cabinet.
34. Raise the playfield and rest it against the backbox.
35. Visually inspect all cabinet cables and connector terminations; ensure no wires or cables are pinched and that cable harnesses are not pulled tight.
36. Locate the plumb bob in the parts bag in the cash box.
37. Slide plumb bob onto the hanger wire. Note: the vertical position of the plumb bob affects tilt sensitivity - higher makes the game more sensitive to tilting.
38. Tighten the thumb screw finger-tight.
39. Install the correct number of pinballs. Refer to the decal on the lock down assembly for the correct number of pinballs.

LOCATING, LEVELING, AND FINAL SETUP

1. Select a location that is indoors, out of direct sunlight, and climate controlled. Excessive moisture/humidity can cause long-term damage to your game.
2. Adjust the front or rear levelers as necessary to position the playfield level bubble, located on the front right of the playfield next to the shooter lane, to float between the two (2) black lines. This will place the playfield at the recommended 6.5° pitch. Playfield angles greater than 6.5° can be achieved by turning out the rear leg leveler(s) for increased difficulty and faster gameplay.
3. Use a pinball to roll down the center of the playfield for side-to-side leveling, or use an external bubble level, digital level, or smartphone level app.
4. Plug into a grounded outlet and check for proper operation through DIAGNOSTICS.
5. Check the coin door: With the door closed, insert coins to verify proper operation.
6. Play game: Check for satisfactory operation and adjust game volume (push the Red Buttons inside the Coin Door).
7. If desired, perform any game diagnostics, game adjustments, and pricing settings at this time.



SPIKE PINBALL SOFTWARE UPDATE INSTRUCTIONS

1. Obtain game software update file (filename ends in “.spk”) from www.sternpinball.com or from authorized Stern distributor.
2. Place game software update file (“.spk”) in root directory of a blank FAT32-formatted USB flash drive
3. Use backbox power switch to turn off game
4. Plug in USB flash drive to CPU board USB connector (CN20 or CN21). Refer to www.sternpinball.com
5. Turn on game
6. The game will automatically begin software update
7. Select the correct .spk update file from list.
8. Press Enter on the service switches to start update
9. When the display indicates “Update Complete”, turn off game
10. Remove USB flash drive from CPU board
11. Turn game on to complete the update and play pinball!
12. Detailed instructions and troubleshooting tips are available in the game manual, www.sternpinball.com and authorized Stern distributors.

1.2 ADJUSTMENTS MENU

STANDARD ADJUSTMENTS

Perform the below steps to review the adjustments.

Enter the Service Menu, then enter the Standard Adjustments Menu.

Press SELECT. Press BACK to exit or escape at any time.

Press [>]. Go to the ADJ icon. Press SELECT.

Go to the S.P.I. icon. Press SELECT.

ID	Adjustment Name	Default Setting
1	REPLAY TYPE	AUTO
2	REPLAY PERCENTAGE	10%
3	REPLAY AWARD	CREDIT
4	REPLAY LEVELS	1
5	AUTO REPLAY START	20,000,000
6	DYNAMIC REPLAY START	60,000,000
7	REPLAY LEVEL #1	15,000,000
8	REPLAY LEVEL #2	30,000,000
9	REPLAY LEVEL #3	45,000,000
10	REPLAY LEVEL #4	60,000,000
11	REPLAY BOOST	YES
12	SPECIAL LIMIT	1
13	SPECIAL PERCENTAGE	10%
14	SPECIAL AWARD	CREDIT
15	FREE GAME LIMIT	5
16	EXTRA BALL LIMIT	5
17	EXTRA BALL PERCENTAGE	25%
18	GAME PRICING	USA 11
19	MATCH PERCENTAGE	9%
20	MATCH AWARD	CREDIT
21	BALLS PER GAME	3
22	TILT WARNINGS	2
23	CREDIT LIMIT	30
24	ALLOW HIGH SCORES	YES
25	HIGH SCORE AWARD	CREDIT
26	GRAND CHAMPION AWARDS	1
27	HIGH SCORE #1 AWARDS	1
28	HIGH SCORE #2 AWARDS	0
29	HIGH SCORE #3 AWARDS	0
30	HIGH SCORE #4 AWARDS	0
31	GRAND CHAMPION SCORE	75,000,000
32	HIGH SCORE #1	55,000,000
33	HIGH SCORE #2	40,000,000

STANDARD ADJUSTMENT #1 appears with the adjustment name flashing. While the adjustment name is flashing press [<] [>] to move between adjustments.

To change the adjustment setting press SELECT. While the adjustment setting is flashing, press [<] [>] repeatedly until the desired setting appears. Press the SELECT button to “install” the change. The adjustment comment (bottom line) will indicate if the factory default setting is selected or will display INSTALLED if the change is not a factory default setting.

ID	Adjustment Name	Default Setting
34	HIGH SCORE #3	30,000,000
35	HIGH SCORE #4	25,000,000
36	HSTD INITIALS	3 INITIALS
37	HSTD RESET COUNT	2000
38	FREE PLAY	NO
39	LANGUAGE	ENGLISH
40	PLAYER LANGUAGE SELECT	YES
41	CUSTOM MESSAGE	ON
42	FLASH LAMP POWER	NORMAL
43	COIL PUSLE POWER	NORMAL
44	KNOCKER VOLUME	NORMAL
45	GAME RESTART	YES
46	BILL VALIDATOR	NO
47	MUSIC VOLUME	1
48	BALL SAVE TIME	0:05
49	TIMED PLUNGER	OFF
50	FLIPPER BALL LAUNCH	OFF
51	COINDOOR BALL SAVER	NO
52	COMPETITION MODE	NO
53	CONSOLATION BALL	YES
54	FAST BOOT	YES
55	Q24 OPTION	COIN METER
56	TICKET DISPENSER	NO
57	PLAYER COMPETITION	YES
58	TEAM SCORES	NO
59	LOCATION ID	0
60	GAME ID	0
61	TIME FORMAT	12-HOUR
62	COIN INPUT DELAY	30
63	LOST BALL RECOVERY	YES
64	COIN DOOR DISABLE TILT	NO
65	BACKBOX BRIGHTNESS	100%
66	COIN DOOR OPEN B.BOX BRIGHTNESS	10%

FEATURE ADJUSTMENTS

Each table has feature adjustments specific to the characteristics of that game. To access feature adjustments enter the Service Menu and then enter the Adjustments Menu.

Press SELECT to access the Service Menu. Press BACK to exit or escape at any time.

Press [>]. Go to the ADJ icon. Press SELECT.

Go to the game icon. Press SELECT.

FEATURE ADJUSTMENT #1 appears with the adjustment name flashing. With the adjustment name flashing press [<] [>] to move between adjustments. Feature adjustments are changed similarly to standard adjustments using the SELECT button to choose options and the [<] [>] buttons to cycle through available settings.

1.3 TRANSPORTING THE GAME

When transporting the game, such as in the back of a truck or with a hand truck, the game's backbox must be secured to prevent damage to the side rails.

1. SECURE THE BACKBOX

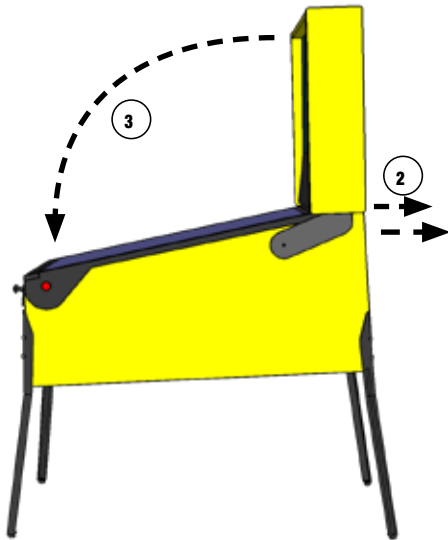
1. Ensure that the pinballs are removed from the playfield, and secure any free-moving mechanisms that may get damaged in transport

TOOLS REQUIRED ⓘ

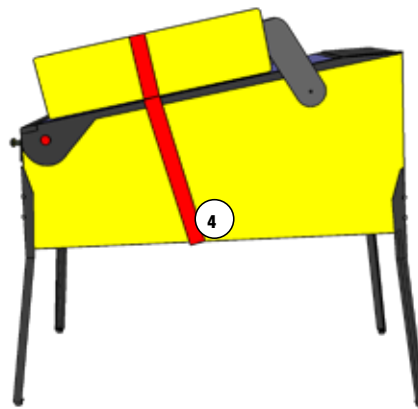
- STRAP (500LB OR GREATER)
- AN ASSISTANT
- HAND TRUCK

CAUTION ⚠

NEVER TRANSPORT THE GAME IN A MOVING VEHICLE WITH THE BACKBOX RAISED! TWO PEOPLE ARE REQUIRED TO REMOVE THE LEGS!

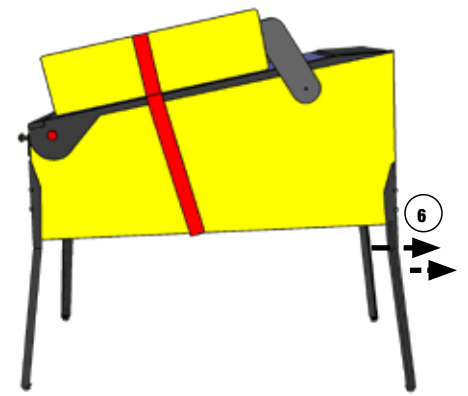


2. Remove the backbox securing bolts
3. Carefully lower the backbox onto the side rails. Use a piece of cardboard or suitable padding between the backbox and the game.

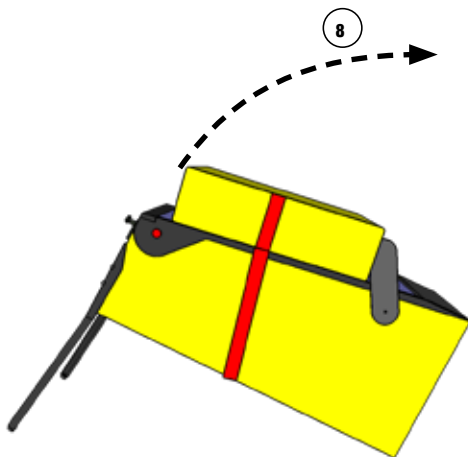


4. Securely strap the back box to the game
5. The game may be transported with the legs on. If the legs must be removed, follow the remaining steps.

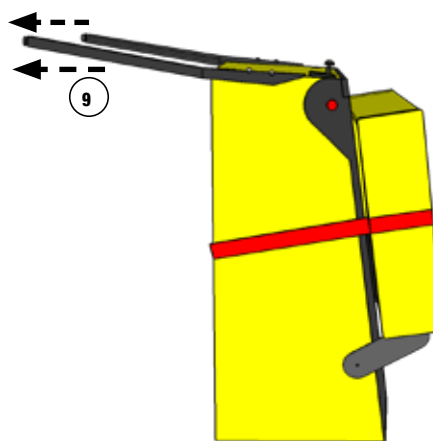
2. REMOVE THE LEGS AND STAND UP



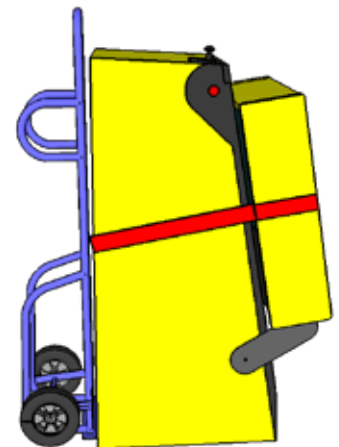
6. Remove the legs, rear legs first. Use a stool or a friend to support the rear of the game.
7. Rest the rear of the game on the ground.



8. Stand the game up on its back.



9. Remove the front two legs.



10. Secure all loose parts and transport with a hand truck in the upright position.

1.4 MAINTENANCE

REGULAR MAINTENANCE - (MONTHLY/500 GAMES)

- Remove the playfield glass
- Enter the software diagnostics menu, start lamp test, then clean and wax the playfield.
- ◊ While cleaning the playfield, identify and repair malfunctioning lights, loose parts, cracked plastics and worn rubber parts.
- While in diagnostics, enter the switch test (Select the "SW" icon, then "TEST" icon).
- ◊ Use a pinball to actuate all switches and verify the correct switch registers with the switch test.
- ◊ The game will play a sound to confirm the switch.
- Lift the playfield and inspect all assemblies for loose parts, broken wires or excessive wear. Look at the bottom of the cabinet for any parts that may have worked loose, then find the source.
- Check all coin door mechanisms and bill acceptor (if installed) for proper operation
- Play the game to ensure all coils and features are working
- Check the playfield to ensure it is level and set to the proper pitch using the bubble level on the right side wood rail.
- Check game audits: Replay % and Ball Time and note abnormal values which can indicate problems.
- Ensure game volume is set appropriately for the location.
- Clean both sides of the playfield glass and reinstall.
- Check and clean pinballs and replace if excessively worn or scuffed. Dirty pinballs accelerate game wear.

OVERHAUL MAINTENANCE - (5000 GAMES)

- Verify latest game software is installed
- Check flippers for excessive wear. Excessive flipper sloppiness (vertical or horizontal) or weakness indicates a flipper rebuild is required.
- Clean machine inside and out and check leg levelers for free operation.
- Visual check for loose or broken playfield and cabinet parts and repair as necessary.
- Electrical check: Plug into grounded outlet and check for proper operation through DIAGNOSTICS.
- Replace worn or dirty rubbers.
- Replace pinballs.
- Check all playfield switches with a pinball.
- Check all settings (refer to manual for factory settings).
- Check coin door: With door closed, insert coins to verify proper operation.
- Check for proper adjustment of the plumb bob tilt.
- Play game: Check for satisfactory operation.

COMMON PINBALL TOOLS

- Common nut drivers (1/4", 5/16", 11/32", 3/8")
- Phillips screwdriver
- Standard Allen wrench/Hex key set
- 3/8" Socket with ratchet
- Adjustable wrench (5/8" & 9/16")
- 6" Torpedo Level (or use a pinball)
- Flashlight or headlamp
- Soldering Iron (60w with flat tip), lead-free solder
- Wire cutter
- Wire stripper
- Long nose ("needle nose") pliers

1.5 MAINTENANCE KITS

Description	Part Number
Aerosmith Maintenance Kit <ul style="list-style-type: none"> • 8 oz pinball playfield wax (Novus # 2) (675-0003-01) • Standard Pinball (260-5000-00) • Cleaning Cloth • All Playfield Rubber Rings • Spare Fuses 	502-6002-I5
Aerosmith Deluxe Maintenance Kit <ul style="list-style-type: none"> • All standard kit items, plus: • Flipper rebuild kits, Left and Right (500-6307-10,-00) 	502-6003-I5
Aerosmith Playfield Plastics Kit	803-5000-I5
Aerosmith Playfield Decals Kit	802-5000-I5
Aerosmith Backbox Decal Left	820-78I5-01
Aerosmith Backbox Decal Right	820-78I5-02
Aerosmith Cabinet Decal Left	820-78I5-03
Aerosmith Cabinet Decal Right	820-78I5-04
Aerosmith Cabinet Decal Front	820-78I5-05
Aerosmith Playfield, Bare	830-5000-I5
Aerosmith Translite	830-52I5-00

1.6 COMMON PARTS

Description	Part Number
8 oz Pinball Playfield wax (Novus # 2)	675-0003-01
Standard Pinball, 1-1/16 in	260-5000-00
Flipper Rebuild Kit Left (Standard)	500-6307-10
Flipper Base Plate Kit Left	515-6617-01
Flipper Rebuild Kit Right	500-6307-00
Flipper Base Plate Kit Right	515-6617-00

2. SPIKE SYSTEM AND NODE GUIDE

2.1 SPIKE SYSTEM OVERVIEW

The SPIKE Pinball system is a rugged, distributed, and embedded platform custom-designed for the rigors of the pinball machine environment. SPIKE takes advantage of modern technologies to deliver an immersive pinball experience that supports modern features, reduces cabling, and increases serviceability and reliability.

A Stern Pinball machine based on the SPIKE system will have at least two nodes networked together with the SPIKE node bus, a custom industrial pinball control bus that is designed around industry standards and optimized for the pinball environment. The primary CPU node is networked to one or more input/output nodes over standard Category 5 UTP (unshielded twisted pair) ethernet cabling.

There are five primary types of nodes that are found in the game.

- CPU node (Node 0) - The primary node that controls other nodes in the system. Contains the primary game software for the system and provides SPIKE node bus power for other nodes.
- Cabinet 48V node (Node 1) - Specialized node with specific inputs and outputs for coin doors, tilt mechanisms, and other bottom-cabinet devices.
- 48V playfield node - Controls high power devices such as coils and flashers, and also supports a few switch and low-power outputs. Powered by the system 48V power supply.
- Light and switch node - High-density switch and low-power LED outputs, bus-powered from the node bus. These boards contain as many 32 switch inputs and light outputs.
- Node extensions - These sub-nodes add additional low-power input and outputs to a specific Power or I/O node and are connected with simple serial bus.

2.2 NODE BUS CABLING

The SPIKE node bus utilizes standard Ethernet-style RJ45 8-pin modular jacks, and off-the-shelf Category 5e or better ethernet cabling. The node bus is electrically different from Ethernet and does not utilize Ethernet or TCP/IP protocols or signaling standards. SPIKE nodes are not compatible with standard computer networking equipment.

CAUTION: Plugging a SPIKE Node or CPU board into a standard Ethernet port may damage one or both devices and void your warranty.

2.3 SYSTEM POWER

The SPIKE System is powered from an 48V DC power supply bus. Each SPIKE node converts this voltage to lower voltages required by the node and its specific components. A SPIKE 48V node typically controls high-power outputs such as game coil mechanisms and high-brightness LEDs. These powered nodes are supplied directly with 48V system power. SPIKE standard I/O nodes are low-power nodes that read switch inputs and output to standard-brightness LEDs. Standard I/O nodes use the node bus power, which is supplied by the main CPU node over the node bus modular jack connectors.

2.4 SPIKE NODE ADDRESSES

Each SPIKE node has a unique address ranging from 0 to 15. Not all addresses are used in all games. Nodes can be of the same part number, so the address is specified on the DIP switches on each node. When replacing a node, be certain that the correct address is set. Nodes can have 3-position and 4-position DIP switches. Refer to the appropriate table to set the address for each type of Node. The correct address for a node can be found in the SPIKE node reference section of the manual or in the game diagnostic software. Address 0 is reserved for the backbox CPU node, where the game software resides. Address 1 is reserved for the cabinet node, located inside the coin door. These two nodes do not have DIP switches as their address is not configurable.

Address	1	2	3
8	OFF	OFF	OFF
9	OFF	OFF	ON
10	OFF	ON	OFF
11	OFF	ON	ON
12	ON	OFF	OFF
13	ON	OFF	ON
14	ON	ON	OFF
15	ON	ON	ON

SPIKE node addresses for nodes with 3-position DIP switches. Addresses 0-7 are not used by SPIKE nodes with 3-position DIP switches.

Address	1	2	3	4
8	OFF	OFF	OFF	OFF
9	OFF	OFF	ON	OFF
10	OFF	ON	OFF	OFF
11	OFF	ON	ON	OFF
12	ON	OFF	OFF	OFF
13	ON	OFF	ON	OFF
14	ON	ON	OFF	OFF
15	ON	ON	ON	OFF

SPIKE node addresses for nodes with 4-position DIP switches. Addresses 0-7 are reserved for fixed-function nodes and do not require configuration.

SPIKE SYSTEM AND NODE GUIDE CONTINUED

2.5 SPIKE NODE PROGRAMMING

The SPIKE nodes are smart nodes that have on-board processors and run embedded code. The nodes are programmed automatically by the CPU node whenever software updates are installed to the CPU. When replacing a node, the CPU node will detect and update the node to the latest software with no user intervention. Always replace nodes with the power to the game turned OFF.

2.6 SPIKE SYSTEM TERMINOLOGY

MULTI GENERAL ILLUMINATION LIGHTING

General Illumination Lighting is two or more lights powered by one control source. These are often a number of LEDs connected in parallel and the system controls these as one large LED. A missing LED will not affect these circuits, however a shorted LED can cause the entire string of LEDs to turn off.

SINGLE LIGHTS

Single lights and LEDs are direct-controlled from SPIKE node boards. A common power source is grounded by individual transistors to turn individual LEDs on and off. Groups of LEDs, usually by node connector, share a common power source, so if a group of LEDs is out, check the wiring for the power source.

FLASHERS

SPIKE games treat flashers the same as single LEDs that draw more power. Flashers are controlled from the same circuits that power regular lights.

DRIVERS

A driver is a circuit that controls a high power-device such as a coil, magnet, or motor. Each device has a common 48V power source that is then connected to ground by a dedicated control transistor. Each driver is protected against shorting, static electricity, and over-current conditions. Take caution as 48V is always present on a device even when it is not energized.

OPTOS

Certain types of optical switches (“optos”) require external signal conditioning. For these optos, they will interface to a SPIKE node via an opto signal conditioning board. Other optical switches connect directly to the Spike node board.

System Protections

CAUTION: Unless explicitly directed by an Authorized Stern Repair technician, perform ALL work on your pinball machine with the power disabled!

INPUT/OUTPUT PROTECTIONS

SPIKE features built-in short-circuit, static electricity, and other protections to maximize reliability. If an LED, coil or other device shorts, it will be disabled but will not shut down the entire system in most circumstances. Groups of LEDs, coils, and switches often share common power supplies or other circuits, so it is possible that a bad device will affect the group of related devices and require removal or repair to fix the group. The system diagnostics will inform the technician of shorted or otherwise malfunctioning devices whenever possible. While the system is protected against permanent damage, it is strongly recommended to repair or replace these bad components as soon as possible to minimize downtime and maximize game earnings.

2.7 COMMON SPIKE NODE BOARDS

Description	Type	Part Number
SPIKE CPU Node	Node	509-1000-00
Cabinet Node	Node	520-6967-00
Playfield 48V Core-Driver Node	Node	520-7017-72
Through Serial Opto Receiver Extension	Extension	520-7001-00

DRIVER REFERENCE

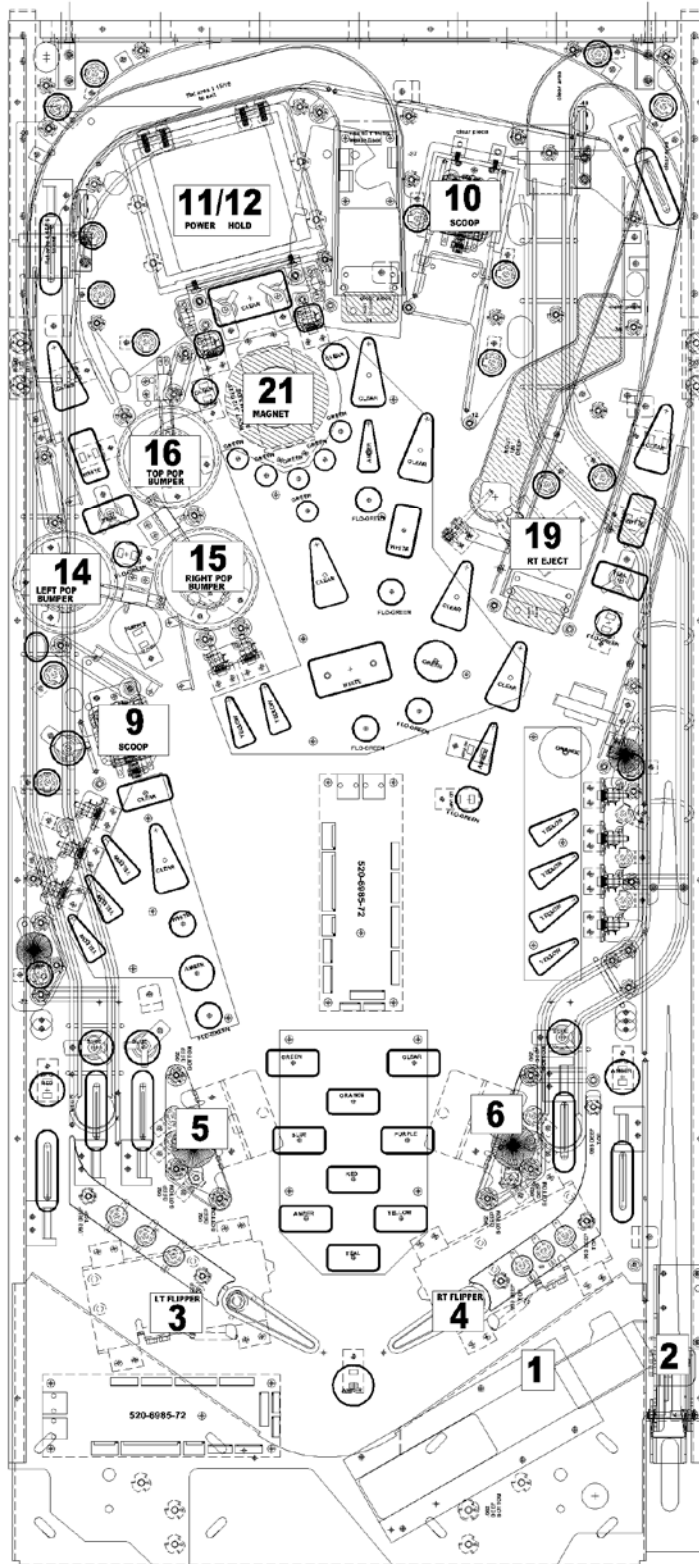


Figure 3.2.1. Playfield driver locations (top view).

DRIVER REFERENCE CONTINUED

ID	Name	Node	Connector	Ret. Pin	Ret. Wire	Voltage	V+ Pin	V+ Color	Location	Type	Address	Part Number
6	Right Slingshot	8	CN8	10	ORG VIO	48V	1-4	GRY ORG	Playfield	Coil - 26-1200	8-DR-2	090-5044-ND
7	Shaker Motor	1	CN2	1	BLU	48V	5	RED	Cabinet	Motor	1-DR-0	041-5029-04
8												
9	Left Scoop	8	CN7	2	YEL RED	48V	1	GRY ORG	Playfield	Coil - 26-1200	8-DR-8	090-5044-ND
10	Top Scoop	8	CN7	3	YEL BRN	48V	1	GRY ORG	Playfield	Coil - 26-1200	8-DR-6	090-5044-ND
11	Toy Box Lid-Power	9	CN7	3	ORG	48V	1	GRY BRN	Playfield	Coil - 23-620	9-DR-6	090-5083-06-ND
12	Toy Box Lid-Hold	9	CN7	4	YEL GRN	48V	1	GRY BRN	Playfield	Coil - 30-3900	9-DR-7	090-5083-06-ND
13												
14	Left Pop Bumper	9	CN8	10	ORG BLK	48V	1-4	GRY BRN	Playfield	Coil - 26-1200	9-DR-2	090-5044-ND
15	Right Pop Bumper	9	CN8	11	ORG BRN	48V	1-4	GRY BRN	Playfield	Coil - 26-1200	9-DR-3	090-5044-ND
16	Top Pop Bumper	9	CN8	9	ORG RED	48V	1-4	GRY BRN	Playfield	Coil - 26-1200	9-DR-4	090-5044-ND
17												
18												
19	Right Eject	9	CN8	7	YEL ORG	48V	1-4	GRY BRN	Playfield	Coil - 26-1200	9-DR-1	090-5044-ND
20												
21	Toy Box Magnet	9	CN8	5	BRN BLK	48V	1-4	GRY BRN	Playfield	Coil - 22-650	9-DR-0	511-5065-ND
22												
23												
24												
25												
26												
27												
28												
29												
30												
31												
32												
33	Coin Meter	1	CN3	2	BLK	12V	1	RED	Cabinet	Digital Out	1-DR-2	500-9946-00
34	Ticket Meter	1	CN4	2	BLK	12V	1	RED	Cabinet	Digital Out	1-DR-3	500-9946-00
35	Ticket Dispenser	1	CN11	3		12V	1		Cabinet	Digital Out	1-DR-4	

3.3 SWITCH REFERENCE

ID	Name	Node	Node Ext	Conn.	Input Pin	Input Wire	GND Pin	Ground Wire	Location	Type	Address	Part Number
1	Left Outlane	8	-	CN11	4	LGN RED	11-12	BLK ORG	Playfield	Rollover	8-SW-17	500-9935-04
2	Left Return Lane-Left	8	-	CN11	5	LGN ORG	11-12	BLK ORG	Playfield	Rollover	8-SW-18	500-9935-04
3	Left Return Lane-Right	8	-	CN11	8	LGN VIO	11-12	BLK ORG	Playfield	Rollover	8-SW-21	500-9935-04
4												
5	Right Return Lane	8	-	CN11	6	LGN YEL	11-12	BLK ORG	Playfield	Rollover	8-SW-19	500-9935-03
6	Right Outlane	8	-	CN11	7	LGN BLU	11-12	BLK ORG	Playfield	Rollover	8-SW-20	500-9935-04
7	Left Slingshot	8	-	CN10	4	GRY BLU	8	BLK GRN	Playfield	Leaf	8-SW-30	180-5231-00
8	Right Slingshot	8	-	CN10	3	GRY VIO	8	BLK GRN	Playfield	Leaf	8-SW-29	180-5231-00
9	Left Flipper Button	8	-	CN9	4	GRY BRN	7	BLK GRN	Cabinet	Leaf	8-SW-25	180-5160-01
10	Right Flipper Button	8	-	CN9	3	GRY RED	7	BLK GRN	Cabinet	Leaf	8-SW-24	180-5160-01
11	Left Flipper EOS	8	-	CN10	6	GRY YEL	9	BLK GRN	Playfield	Leaf	8-SW-16	180-5149-00
12	Right Flipper EOS	8	-	CN10	5	GRY GRN	9	BLK GRN	Playfield	Leaf	8-SW-31	180-5149-00
13												
14												
15	Trough 6	8	8a	CN14	-		-		Playfield	Opto	8-SW-32	520-5344-00 tx 520-7001-00 rx
16	Trough 5	8	8a	CN14	-		-		Playfield	Opto	8-SW-33	520-5344-00 tx 520-7001-00 rx

Continued on next page...



SWITCH REFERENCE CONTINUED

ID	Name	Node	Node Ext	Conn.	Input Pin	Input Wire	GND Pin	Ground Wire	Location	Type	Address	Part Number
17	Trough 4	8	8a	CN14	-		-		Playfield	Opto	8-SW-34	520-5344-00 tx 520-7001-00 rx
18	Trough 3	8	8a	CN14	-		-		Playfield	Opto	8-SW-35	520-5344-00 tx 520-7001-00 rx
19	Trough 2	8	8a	CN14	-		-		Playfield	Opto	8-SW-36	520-5344-00 tx 520-7001-00 rx
20	Trough 1	8	8a	CN14	-		-		Playfield	Opto	8-SW-37	520-5344-00 tx 520-7001-00 rx
21	Trough Jam	8	8a	CN14	-		-		Playfield	Opto	8-SW-38	520-5344-00 tx 520-7001-00 rx
22	Shooter Lane	8	-	CN10	2	GRY WHT	7	BLK GRN	Playfield	Rollover	8-SW-28	180-5157-01
23												
24	(A)EROSMITH Target	8	-	CN11	2	LGN BLK	11-12	BLK ORG	Playfield	Leaf, Target	8-SW-26	515-9783-00-00
25	A(E)ROSMITH Target	8	-	CN11	9	LGN GRY	11-12	BLK ORG	Playfield	Leaf, Target	8-SW-22	515-9783-00-00
26	AE(R)OSMITH Target	8	-	CN11	8	LGN WHT	11-12	BLK ORG	Playfield	Leaf, Target	8-SW-23	515-9783-00-00
27												
28	Left Scoop	8	-	CN12	2	WHT BRN	10	BLK RED	Playfield	Micro	8-SW-8	180-5209-00
29	Toy Box Enter 1	9	-	CN13	2	WHT RED	10	BLK GRY	Playfield	Opto	9-SW-0	520-7036-00 tx 520-7037-00 rx
30	Toy Box Enter 2	9	-	CN13	3	WHT ORG	10	BLK GRY	Playfield	Opto	9-SW-1	520-7036-00 tx 520-7037-00 rx
31	Toy Box Enter 3	9	-	CN13	4	WHT YEL	10	BLK GRY	Playfield	Opto	9-SW-2	520-7036-00 tx 520-7037-00 rx
32	Toy Box Lid	9	-	CN13	5	WHT GRN	10	BLK GRY	Playfield	Micro	9-SW-3	180-5119-02
33	AEROSMIT(H) Target	8	-	CN12	6	WHT GRN	10	BLK RED	Playfield	Leaf, Target	8-SW-12	515-9783-00-00
34	AEROSMI(T)H Target	8	-	CN12	7	WHT BLU	10	BLK RED	Playfield	Leaf, Target	8-SW-13	515-9783-00-00
35	AEROSM(I)TH Target	8	-	CN12	8	WHT VIO	10	BLK RED	Playfield	Leaf, Target	8-SW-14	515-9783-00-00
36	AEROS(M)ITH Target	8	-	CN12	9	WHT GRY	10	BLK RED	Playfield	Leaf, Target	8-SW-15	515-9783-00-00
37												
38	Spinner	8	-	CN13	2	PNK BLK	10	BLK BRN	Playfield	Micro	8-SW-0	180-5010-04
39	Motor Home	8	-	CN13	3	PNK BRN	10	BLK BRN	Playfield	Micro	8-SW-1	180-5010-04
40	Motor Away	8	-	CN13	4	PNK RED	10	BLK BRN	Playfield	Micro	8-SW-2	180-5010-04
41	Top Scoop	8	-	CN13	5	PNK ORG	10	BLK BRN	Playfield	Micro	8-SW-3	180-5209-00
42												
43												
44												
45	Left Pop Bumper	9	-	CN10	2	GRY BLK	7-9	BLK YEL	Playfield	Leaf	9-SW-28	180-5232-00
46	Right Pop Bumper	9	-	CN10	3	GRY BRN	7-9	BLK YEL	Playfield	Leaf	9-SW-29	180-5232-00
47	Top Pop Bumper	9	-	CN10	4	GRY RED	7-9	BLK YEL	Playfield	Leaf	9-SW-30	180-5232-00
48												
49	AER(O)SMITH Target	9	-	CN11	4	TAN ORG	11-12	BLK BLU	Playfield	Leaf, Target	9-SW-17	515-9785-00-00
50	AERO(S)MITH Target	9	-	CN11	5	TAN YEL	11-12	BLK BLU	Playfield	Leaf, Target	9-SW-18	515-9785-00-00
51												
52	Left Orbit	9	-	CN10	5	GRY ORG	7-9	BLK YEL	Playfield	Rollover	9-SW-31	500-9935-04
53	Left Ramp Exit	9	-	CN11	8	TAN VIO	11-12	BLK BLU	Playfield	Micro	9-SW-21	180-5087-00
54												
55												
56	Toy Box Hit	9	-	CN10	6	GRY	7-9	BLK YEL	Playfield	Opto	9-SW-16	515-0215-00 tx 515-0215-01 rx
57	Toy Box Target-Left	9	-	CN11	2	TAN BLK	11-12	BLK BLU	Playfield	Leaf, Target	9-SW-26	515-9785-00-00
58	Toy Box Target-Right	9	-	CN11	3	TAN RED	11-12	BLK BLU	Playfield	Leaf, Target	9-SW-27	515-9785-00-00
59												
60												
61	Right Eject	9	-	CN11	6	TAN GRN	11-12	BLK BLU	Playfield	Micro	9-SW-19	180-5186-01

Continued on next page...



SWITCH REFERENCE CONTINUED

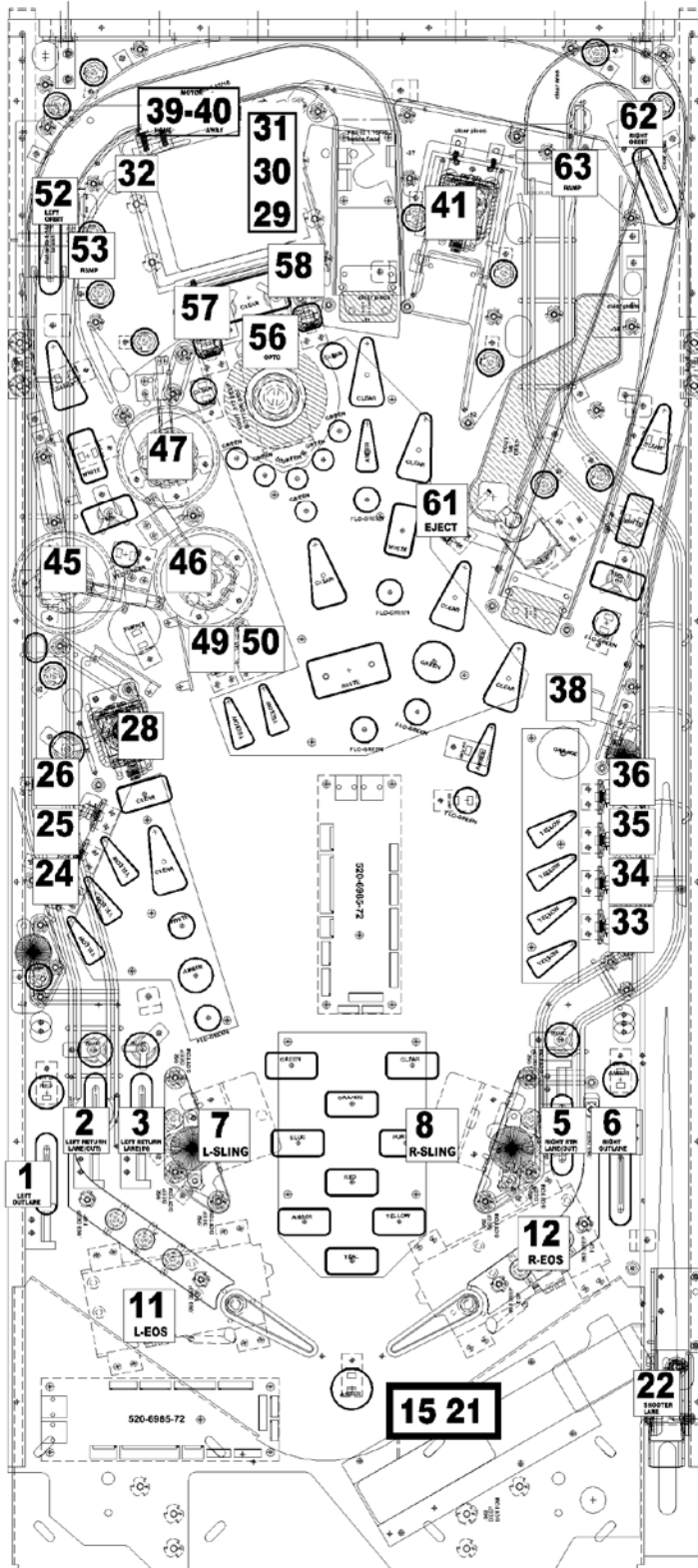


Figure 3.3.1. Playfield switch locations (top view).

Continued on next page...



SWITCH REFERENCE CONTINUED

ID	Name	Node	Node Ext	Conn.	Input Pin	Input Wire	GND Pin	Ground Wire	Location	Type	Address	Part Number
62	Right Orbit	9	-	CN11	7	TAN BLU	11-12	BLK BLU	Playfield	Rollover	9-SW-20	500-9935-03
63	Right Ramp Exit	8	-	CN12	3	WHT RED	10	BLK RED	Playfield	Micro	8-SW-9	180-5087-00
64												
65												
66												
67												
68												
69												
70	Lockdown Button	1	-	CN7	8	TAN WHT	5	BLK WHT	Cabinet	Leaf	1-SW-2	180-5218-00
71												
72												
73	Start Button	1	-	CN6	10	GRY	5	BLK WHT	Cabinet	Micro	1-SW-11	180-5174-00
74	Tournament Start Button	1	-	CN6	9	GRY WHT	5	BLK WHT	Cabinet	Micro	1-SW-12	180-5174-00
75												
76	Left Coin	1	-	CN5	9	PNK BRN	3	BLK	Cabinet	Micro	1-SW-16	180-5204-00
77	Right Coin	1	-	CN5	7	PNK ORG	3	BLK	Cabinet	Micro	1-SW-18	180-5204-00
78	Center Coin	1	-	CN5	8	PNK RED	3	BLK	Cabinet	Micro	1-SW-17	
79	Fourth Coin	1	-	CN5	6		-		Cabinet	-	1-SW-19	
80	Fifth Coin	1	-	CN5	5		-		Cabinet	-	1-SW-20	
81	Tilt Pendulum	1	-	CN6	7	WHT	5	BLK WHT	Cabinet	Plumb Bob	1-SW-14	516-0007-00
82	Sixth Coin	1	-	CN9	5		-		Cabinet	-	1-SW-21	
83	Ticket Notch	1	-	CN11	5		-		Cabinet	-	1-SW-8	
84	Slam Tilt	1	-	CN5	4	LGN RED	3	BLK	Cabinet	-	1-SW-22	
85												
86												
87												
88												
89												
91												
92												
93												
C1	DIP 1	0	-	-	-		-		CPU Node		0-SW-0	-
C10	Service Plus	0	-	CN25	3	LGN VIO	6	BLK	Coin Door		0-SW-9	180-5192-02
C11	Service Minus	0	-	CN25	2	LGN BLU	6	BLK	Coin Door		0-SW-10	180-5192-02
C12	Service Back	0	-	CN25	1	LGN BLK	6	BLK	Coin Door		0-SW-11	180-5192-00
C24	DC Sense	0	-	CN7	4	GRY RED	1	BLK	-		0-SW-23	-
C17	Headphone Detect	0	-	-	-		-	-	Coin Door		0-SW-16	-
C18	Headphone Kit Cable Detect	0	-	CN3	5	BLK	4	BLK	CPU Node		0-SW-17	-
C19	Volume Encoder 1	0	-	CN3	6	WHT	1	DRAIN	CPU Node		0-SW-18	-
C20	Volume Encoder 2	0	-	CN3	7	GRN	1	DRAIN	CPU Node		0-SW-19	-
C2	DIP 2	0	-	-	-		-		CPU Node		0-SW-1	-
C3	DIP 3	0	-	-	-		-		CPU Node		0-SW-2	-
C4	DIP 4	0	-	-	-		-		CPU Node		0-SW-3	-
C5	DIP 5	0	-	-	-		-		CPU Node		0-SW-4	-
C6	DIP 6	0	-	-	-		-		CPU Node		0-SW-5	-
C7	DIP 7	0	-	-	-		-		CPU Node		0-SW-6	-
C8	DIP 8	0	-	-	-		-		CPU Node		0-SW-7	-
C9	Service Select	0	-	CN25	4	LGN GRY	6	BLK	Coin Door		0-SW-8	180-5192-04



3.4 LIGHT REFERENCE

ID	Name	Node	Node Ext.	Conn.	Ret. Pin	Ret. Wire	Src. Pin	Src. Wire	Location	Type	Light Color	Address	Part Number
1	Coin Enable	1	-	CN8	6	BLK GRY	2	GRY RED	Coin Door	Digital Out		1-LP-0	
2	Start Button	1	-	CN6	3	YEL BRN	1	RED	Cabinet	Feature	White	1-LP-2	112-5033-08
3	Tournament Start	1	-	CN6	2	YEL RED	1	RED	Cabinet	Feature	White	1-LP-3	112-5033-08
4	Lockdown Button-RED	1	-	CN7	2	RED WHT	1	RED	Cabinet	Feature	RGB	1-LP-5	520-5333-00
5	Lockdown Button-GRN	1	-	CN7	3	GRN WHT	1	RED	Cabinet	Feature	RGB	1-LP-4	520-5333-00
6	Lockdown Button-BLU	1	-	CN7	4	BLU WHT	1	RED	Cabinet	Feature	RGB	1-LP-7	520-5333-00
7													
8													
9													
10													
11	Left Outlane	8	-	CN14	6	ORG RED	7-8	YEL	Playfield	Feature	White	8-LP-3	520-5307-00
12													
13													
14	Shoot Again	8	8b	CN5	4	ORG WHT	1	RED	Playfield	Feature	White	8-LP-19	520-5307-00
15	Last Child	8	8b	-	LED9	-	-	-	Playfield	Feature	White	8-LP-16	520-7004-00
16	Walk This Way	8	8b	-	LED7	-	-	-	Playfield	Feature	White	8-LP-14	520-7004-00
17	Same Old Song N Dance	8	8b	-	LED8	-	-	-	Playfield	Feature	White	8-LP-15	520-7004-00
18	Sweet Emotion	8	8b	-	LED6	-	-	-	Playfield	Feature	White	8-LP-13	520-7004-00
19	Dude Looks Like A Lady	8	8b	-	LED4	-	-	-	Playfield	Feature	White	8-LP-11	520-7004-00
20	Back In The Saddle	8	8b	-	LED5	-	-	-	Playfield	Feature	White	8-LP-12	520-7004-00
21	Rats In The Cellar	8	8b	-	LED3	-	-	-	Playfield	Feature	White	8-LP-10	520-7004-00
22	Toys In The Attic	8	8b	-	LED1	-	-	-	Playfield	Feature	White	8-LP-8	520-7004-00
23	Love In An Elevator-RED	8	8b	-	LED14	-	-	-	Playfield	Feature	RGB	8-LP-23	520-7004-00
24	Love In An Elevator-GRN	8	8b	-	LED14	-	-	-	Playfield	Feature	RGB	8-LP-22	520-7004-00
25	Love In An Elevator-BLU	8	8b	-	LED14	-	-	-	Playfield	Feature	RGB	8-LP-21	520-7004-00
26													
27	Right Outlane	8	-	CN14	3	ORG BLU	7-8	YEL	Playfield	Feature	White	8-LP-6	520-5307-00
28													
29	(A)EROSMITH	8	8d	-	LED5	-	-	-	Playfield	Feature	White	8-LP-38	520-7005-00
30	A(E)ROSMITH	8	8d	-	LED4	-	-	-	Playfield	Feature	White	8-LP-37	520-7005-00
31	AE(R)OSMITH	8	8d	-	LED3	-	-	-	Playfield	Feature	White	8-LP-36	520-7005-00
32	Left Scoop X	8	8d	-	LED8	-	-	-	Playfield	Feature	White	8-LP-41	520-7005-00
33	Extra Ball	8	8d	-	LED7	-	-	-	Playfield	Feature	White	8-LP-40	520-7005-00
34	Left Scoop-3	8	8d	-	LED6	-	-	-	Playfield	Feature	White	8-LP-39	520-7005-00
35	Left Scoop Arrow-RED	8	8d	-	LED1	-	-	-	Playfield	Feature	RGB	8-LP-34	520-7005-00
36	Left Scoop Arrow-GRN	8	8d	-	LED1	-	-	-	Playfield	Feature	RGB	8-LP-33	520-7005-00
37	Left Scoop Arrow-BLU	8	8d	-	LED1	-	-	-	Playfield	Feature	RGB	8-LP-32	520-7005-00
38	Left Scoop-Rect	8	8d	-	LED2	-	-	-	Playfield	Feature	White	8-LP-35	520-7005-00
39	Bilboard-1	8	8d	CN5	3	BRN GRN	1	RED	Playfield	Feature	White	8-LP-44	520-5307-00
40	Bilboard-2	8	8d	CN5	4	BRN BLU	1	RED	Playfield	Feature	White	8-LP-45	520-5307-00
41													
42	AEROSMIT(H)	8	8c	-	LED1	-	-	-	Playfield	Feature	White	8-LP-24	520-7006-00
43	AEROSMI(T)H	8	8c	-	LED2	-	-	-	Playfield	Feature	White	8-LP-25	520-7006-00
44	AEROSM(I)TH	8	8c	-	LED3	-	-	-	Playfield	Feature	White	8-LP-26	520-7006-00
45	AEROS(M)ITH	8	8c	-	LED4	-	-	-	Playfield	Feature	White	8-LP-27	520-7006-00
46	Right Ramp X	8	8c	CN3	3	GRN YEL	1	RED	Playfield	Feature	White	8-LP-30	520-5307-00
47													
48													
49													
50													
51													
52	Left Pop Bumper-RED	9	9a	CN3	4	RED BLK	1	RED	Playfield	Feature	RGB	9-LP-42	520-6971-00
53	Left Pop Bumper-GRN	9	9a	CN3	3	GRN BLK	1	RED	Playfield	Feature	RGB	9-LP-41	520-6971-00

Continued on next page...



LIGHT REFERENCE CONTINUED

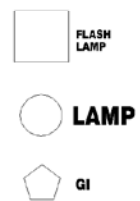
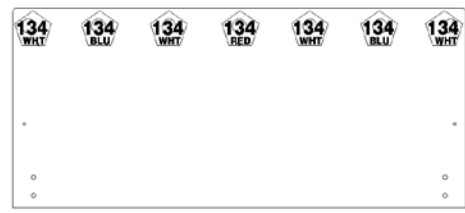
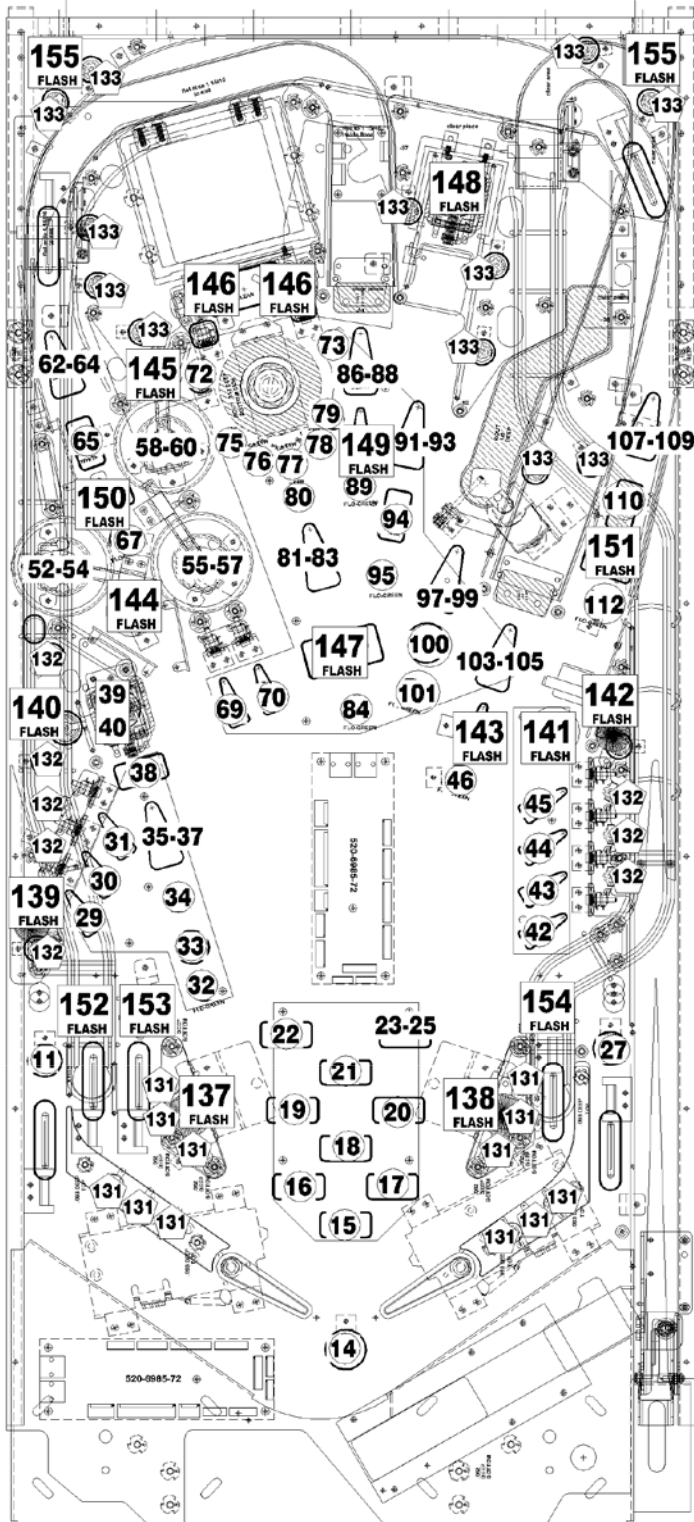


Figure 3.4.1. Playfield light locations (top view).

Continued on next page...



LIGHT REFERENCE CONTINUED

ID	Name	Node	Node Ext.	Conn.	Ret. Pin	Ret. Wire	Src. Pin	Src. Wire	Location	Type	Light Color	Address	Part Number
54	Left Pop Bumper-BLU	9	9a	CN3	2	BLU BLK	1	RED	Playfield	Feature	RGB	9-LP-40	520-6971-00
55	Right Pop Bumper-RED	9	9a	CN3	7	RED BRN	1	RED	Playfield	Feature	RGB	9-LP-45	520-6971-00
56	Right Pop Bumper-GRN	9	9a	CN3	6	GRN BRN	1	RED	Playfield	Feature	RGB	9-LP-44	520-6971-00
57	Right Pop Bumper-BLU	9	9a	CN3	5	BLU BRN	1	RED	Playfield	Feature	RGB	9-LP-43	520-6971-00
58	Top Pop Bumper-RED	9	9a	CN3	10	RED WHT	1	RED	Playfield	Feature	RGB	9-LP-48	520-6971-00
59	Top Pop Bumper-GRN	9	9a	CN3	9	GRN RED	1	RED	Playfield	Feature	RGB	9-LP-47	520-6971-00
60	Top Pop Bumper-BLU	9	9a	CN3	8	BLU RED	1	RED	Playfield	Feature	RGB	9-LP-46	520-6971-00
61													
62	Left Orbit Arrow-RED	9	9a	CN4	7	RED ORG	1	RED	Playfield	Feature	RGB	9-LP-54	520-5333-00
63	Left Orbit Arrow-GRN	9	9a	CN4	6	GRN ORG	1	RED	Playfield	Feature	RGB	9-LP-53	520-5333-00
64	Left Orbit Arrow-BLU	9	9a	CN4	5	BLU ORG	1	RED	Playfield	Feature	RGB	9-LP-52	520-5333-00
65	Left Orbit-Elevator	8	8b	CN7	4	ORG RED	1	RED	Playfield	Feature	White	8-LP-9	520-5307-00
66													
67	Left Orbit X	9	9a	CN4	3	BRN	1	RED	Playfield	Feature	White	9-LP-50	520-5307-00
68													
69	AER(O)SMITH	9	9a	-	LED1	-	-	-	Playfield	Feature	White	9-LP-8	520-7007-00
70	AERO(S)SMITH	9	9a	-	LED2	-	-	-	Playfield	Feature	White	9-LP-9	520-7007-00
71													
72	Toy Box Target-Left	9	9a	CN4	2	BRN BLK	1	RED	Playfield	Feature	White	9-LP-49	520-5307-00
73	Toy Box Target-Right	9	9a	-	LED15	-	-	-	Playfield	Feature	White	9-LP-22	520-7007-00
74													
75	Lock 1	9	9a	-	LED10	-	-	-	Playfield	Feature	White	9-LP-17	520-7007-00
76	Lock 2	9	9a	-	LED11	-	-	-	Playfield	Feature	White	9-LP-18	520-7007-00
77	Lock 3	9	9a	-	LED12	-	-	-	Playfield	Feature	White	9-LP-19	520-7007-00
78	Lock 4	9	9a	-	LED13	-	-	-	Playfield	Feature	White	9-LP-20	520-7007-00
79	Lock 5	9	9a	-	LED14	-	-	-	Playfield	Feature	White	9-LP-21	520-7007-00
80	Lock 6	9	9a	-	LED9	-	-	-	Playfield	Feature	White	9-LP-16	520-7007-00
81	Toy Box Arrow-RED	9	9a	-	LED19	-	-	-	Playfield	Feature	RGB	9-LP-32	520-7007-00
82	Toy Box Arrow-GRN	9	9a	-	LED19	-	-	-	Playfield	Feature	RGB	9-LP-31	520-7007-00
83	Toy Box Arrow-BLU	9	9a	-	LED19	-	-	-	Playfield	Feature	RGB	9-LP-30	520-7007-00
84	Toy Box X	9	9a	-	LED3	-	-	-	Playfield	Feature	White	9-LP-10	520-7007-00
85													
86	Left Ramp Arrow-RED	9	9a	-	LED21	-	-	-	Playfield	Feature	RGB	9-LP-38	520-7007-00
87	Left Ramp Arrow-GRN	9	9a	-	LED21	-	-	-	Playfield	Feature	RGB	9-LP-37	520-7007-00
88	Left Ramp Arrow-BLU	9	9a	-	LED21	-	-	-	Playfield	Feature	RGB	9-LP-36	520-7007-00
89	Left Ramp X	9	9a	-	LED8	-	-	-	Playfield	Feature	White	9-LP-15	520-7007-00
90													
91	Top Scoop Arrow-RED	9	9a	-	LED20	-	-	-	Playfield	Feature	RGB	9-LP-35	520-7007-00
92	Top Scoop Arrow-GRN	9	9a	-	LED20	-	-	-	Playfield	Feature	RGB	9-LP-34	520-7007-00
93	Top Scoop Arrow-BLU	9	9a	-	LED20	-	-	-	Playfield	Feature	RGB	9-LP-33	520-7007-00
94	Top Scoop-Rect	9	9a	-	LED7	-	-	-	Playfield	Feature	White	9-LP-14	520-7007-00
95	Top Scoop X	9	9a	-	LED6	-	-	-	Playfield	Feature	White	9-LP-13	520-7007-00
96													
97	Right Eject Arrow-RED	9	9a	-	LED18	-	-	-	Playfield	Feature	RGB	9-LP-29	520-7007-00
98	Right Eject Arrow-GRN	9	9a	-	LED18	-	-	-	Playfield	Feature	RGB	9-LP-28	520-7007-00
99	Right Eject Arrow-BLU	9	9a	-	LED18	-	-	-	Playfield	Feature	RGB	9-LP-27	520-7007-00
100	R Eject-2	9	9a	-	LED5	-	-	-	Playfield	Feature	White	9-LP-12	520-7007-00
101	Right Eject X	9	9a	-	LED4	-	-	-	Playfield	Feature	White	9-LP-11	520-7007-00
102													
103	Right Ramp Arrow-RED	9	9a	-	LED17	-	-	-	Playfield	Feature	RGB	9-LP-26	520-7007-00
104	Right Ramp Arrow-GRN	9	9a	-	LED17	-	-	-	Playfield	Feature	RGB	9-LP-25	520-7007-00
105	Right Ramp Arrow-BLU	9	9a	-	LED17	-	-	-	Playfield	Feature	RGB	9-LP-24	520-7007-00
106													

Continued on next page...



LIGHT REFERENCE CONTINUED

ID	Name	Node	Node Ext.	Conn.	Ret. Pin	Ret. Wire	Src. Pin	Src. Wire	Location	Type	Light Color	Address	Part Number
107	Right Orbit Arrow-RED	9	-	CN14	6	RED YEL	7-8	YEL	Playfield	Feature	RGB	9-LP-3	520-5333-00
108	Right Orbit Arrow-GRN	9	-	CN14	5	GRN YEL	7-8	YEL	Playfield	Feature	RGB	9-LP-4	520-5333-00
109	Right Orbit Arrow-BLU	9	-	CN14	4	BLU YEL	7-8	YEL	Playfield	Feature	RGB	9-LP-5	520-5333-00
110	Right Orbit-Elevator	8	8b	CN7	5	ORG YEL	2	RED	Playfield	Feature	White	8-LP-20	520-5307-00
111													
112	Right Orbit X	9	-	CN14	2	BRN ORG	7-8	YEL	Playfield	Feature	White	9-LP-7	520-5307-00
113													
114													
115													
116													
117													
118													
119													
120													
121													
122													
123													
124													
125													
126													
127													
128													
129													
130	Coin Door Gl	1	-	CN5	2	YEL	1	YEL-WHT	Coin Door	G.I.	White	1-LP-1	112-5033-08
131	Playfield GI-1	8	-	CN15	5	WHT BLK	1	YEL BLK	Playfield	G.I.	White	8-LP-0	112-5034-08
132	Playfield GI-2	8	-	CN15	6	RED BLK	2	YEL RED	Playfield	G.I.	White	8-LP-1	112-5034-08
133	Playfield GI-3	9	-	CN15	5	BLU BLK	1	YEL BLU	Playfield	G.I.	White	9-LP-0	112-5034-08
134	GI-Backpanel	9	-	CN15	6	GRN BLK	2	YEL GRN	Backpanel	G.I.	White	9-LP-1	112-5034-xx
135													
136													
137	Left Sling Flash	8	8b	CN4	3	ORG	1	RED	Playfield	Flash	White	8-LP-18	520-7000-00
138	Right Sling Flash	8	8b	CN2	3	ORG	1	RED	Playfield	Flash	White	8-LP-17	520-7000-00
139	Lower Left Flash	8	8d	CN4	3	ORG GRN	1	RED	Playfield	Flash	White	8-LP-43	520-7000-00
140	Left Scoop Flash	8	8d	CN2	3	ORG BRN	1	RED	Playfield	Flash	White	8-LP-42	113-5045-08
141	Right Orbit Flash	8	8c	-	LED5	-	-	-	Playfield	Flash	White	8-LP-28	520-7006-00
142	Spinner Flash	8	8c	CN2	3	ORG BLK	1	RED	Playfield	Flash	White	8-LP-29	113-5045-08
143	Right Ramp Flash	8	8c	CN3	4	ORG GRY	1	RED	Playfield	Flash	White	8-LP-31	520-7000-00
144	Pop Bumpers Flash	9	9a	CN4	8	YEL BRN	1	RED	Playfield	Flash	White	9-LP-55	520-7000-00
145	Toy Box Lid Flash	9	9a	CN5	2	YEL ORG	1	RED	Playfield	Flash	White	9-LP-56	113-5045-08
146	Toy Box Enter Flash (x2)	9	9a	CN5	3	YEL VIO	1	RED	Playfield	Flash	White	9-LP-57	113-5045-08
147	Toy Box Flash (x2)	9	9a	-	LED22	-	-	-	Playfield	Flash	White	9-LP-39	520-7007-00
148	Top Scoop Flash	9	9a	CN5	4	YEL GRY	1	RED	Playfield	Flash	White	9-LP-58	520-7000-00
149	Left Ramp Flash	9	9a	-	LED16	-	-	-	Playfield	Flash	White	9-LP-23	520-7007-00
150	L Orbit-Rect	9	9a	CN4	4	BRN RED	1	RED	Playfield	Flash	White	9-LP-51	113-5045-08
151	R Orbit-Rect	9	-	CN14	3	BRN YEL	7-8	YEL	Playfield	Flash	White	9-LP-6	113-5045-08
152	Left Return Lane-Left	8	-	CN14	5	ORG	7-8	YEL	Playfield	Flash	White	8-LP-4	113-5045-08
153	Left Return Lane-Right	8	-	CN14	2	ORG VIO	7-8	YEL	Playfield	Flash	White	8-LP-7	113-5045-08
154	Right Return Lane	8	-	CN14	4	ORG YEL	7-8	YEL	Playfield	Flash	White	8-LP-5	113-5045-08
155	Upper Ramp Flash (x2)	9	-	CN15	7	BRN WHT	3	YEL	Playfield	Flash	White	9-LP-2	520-7000-00

Continued on next page...



3.5 MOTOR REFERENCE

ID	Name	Node	Node Ext.	Conn.	Ret. Pin	Ret. Wire	Src. Pin	Src. Wire	Location	Type	Light Color	Address	Part Number	CODE_ID
1	Motor A Enable	8	8e	CN1	-	-	-	-	Playfield	Motor	-	8-LP-48	520-6996-00	
2	Motor A Control 1A	8	8e	CN1	-	-	-	-	Playfield	Motor	-	8-LP-49	520-6996-00	
3	Motor A Control 2A	8	8e	CN1	-	-	-	-	Playfield	Motor	-	8-LP-50	520-6996-01	

MOTOR A		Coast	Brake	Brake	Dir. 1	Dir. 2
x-LP-0	Enable A	H	L	L	L	L
x-LP-1	Control 1A	H	L	H	L	H
x-LP-2	Control 2A	H	L	H	H	L
			L/Low=Lamp On			
			H/High=Lamp Off			
MOTOR B		Coast	Brake	Brake	Dir. 1	Dir. 2
x-LP-3	Enable B	H	L	L	L	L
x-LP-4	Control 1B	H	L	H	L	H
x-LP-5	Control 2B	H	L	H	H	L
			L/Low=Lamp On			
			H/High=Lamp Off			

4. ELECTRONIC PINOUTS AND SCHEMATICS

4.1 SPIKE-2 CPU NODE 0

509-1000-00

DIRECT SWITCH MAPPING (CN25)

The coin-door diagnostic switches are connected directly to the CPU node via the Cabinet Node. Note that both the CPU and Cabinet nodes are required for diagnostic switch operation.

ID	Name	Conn.	Input Pin	Input Wire	GND Pin	Ground Wire	Location	Type	Address	Part Number
C1	DIP 1	-	-	-	-	-	CPU Node		0-SW-0	-
C2	DIP 2	-	-	-	-	-	CPU Node		0-SW-2	-
C3	DIP 3	-	-	-	-	-	CPU Node		0-SW-3	-
C4	DIP 4	-	-	-	-	-	CPU Node		0-SW-4	-
C5	DIP 5	-	-	-	-	-	CPU Node		0-SW-5	-
C6	DIP 6	-	-	-	-	-	CPU Node		0-SW-6	-
C7	DIP 7	-	-	-	-	-	CPU Node		0-SW-7	-
C8	DIP 8	-	-	-	-	-	CPU Node		0-SW-8	-
C9	Service Select	CN25	1	LGN-GRY	11	BLK-WHT	Coin Door		0-SW-9	180-5192-04
C10	Service Plus	CN25	2	LGN-VIO	11	BLK-WHT	Coin Door		0-SW-10	180-5192-02
C11	Service Minus	CN25	3	LGN-BLU	11	BLK-WHT	Coin Door		0-SW-11	180-5192-02
C12	Service Back	CN25	4	LGN-BLK	11	BLK-WHT	Coin Door		0-SW-12	180-5192-00
C16	Playfield Power Interlock	CN7	4	GRY	5	GRY-RED	Cabinet	Interlock	0-SW-16	180-5136-00

CONNECTORS

ID	Connector Type	Description
CN1	5-Pin .156" Header	Backbox 2-channel amplified speaker out
CN3	RJ45	SPIKE node bus - to cabinet node N1
CN4	2-Pin .156"	Cabinet 1-channel amplified speaker out
CN7	5-Pin .156" Header	48V supply from main power supply
CN18	3.5mm Stereo TRS jack	Headphone Jack
CN20	USB	USB connector - for software updates, audit dumps, and expansion modules
CN21	USB	USB connector - for software updates, audit dumps, and expansion modules
CN22	RJ45	SPIKE node bus - to playfield node, N8
CN23	14-Pin .100" Header	Dot matrix display connector
CN24	4-Pin .156" Header	5V DC and ground out to the LED display
CN25	12-Pin .100" Header	Dedicated switch inputs - service, volume switches

COMPONENTS

ID	Name
S1	Reset Switch
S2	DIP Switches
SD CARD	For system SD card. Note: only to be removed if instructed to by Stern Service.
BT1	CR232 3V Lithium battery for game clock between power cycles

STATUS LEDs

LED ID	Name	Color	Description
48V	+48V Supply In	Red	ON: Main system power is connected, OFF: No 48V system power. Check power supply connections, cables, and fuses.
24V	+24V Audio Power	Red	ON: Audio power supply is good, OFF: Audio power supply off, call tech support.
9V	+9V Node Bus Power	Red	ON: Node bus power supply is good, OFF: Node bus power supply bad, call tech support.
5V		Red	ON: Logic power supply is good. OFF: Logic power supply bad, call tech support.
TxD	Node bus transmit	Red	Node bus transmit activity
RxD	Node bus receive	Red	Node bus receive activity
Status	System status	Red	Constant double blink - game software running
Netstat	Network status	Red	Communication bridge activity

SPIKE-2 CPU NODE 0 CONTINUED

AUDIO PINOUTS

ID	Type	Pin	Description	Minimum Impedance	Max Power (RMS)
CN18	TRS 3.5mm Headphone Jack	Tip	Headphone Left	8 Ohms	200mW
		Ring	Headphone Right	8 Ohms	200mW
		Sleeve	Audio Ground	-	-
CN1	.156" 5-pin Header	1	Speaker Right Ground (-)	4 Ohms	-
		2	Speaker Right (+)	4 Ohms	20W
		3	n/c	-	-
		4	Speaker Left Ground (-)	4 Ohms	-
		5	Speaker Left (+)	4 Ohms	20W
CN4	.156" 2-pin Header	1	Woofer Ground (-)	8 Ohms	-
		2	Woofer Out (+)	8 Ohms	40W
CN27	.100" 3-pin header	1	Line Out Left (+)	600 Ohms	-
		2	Line Out Ground	-	-
		3	Line Out Right (-)	600 Ohms	-

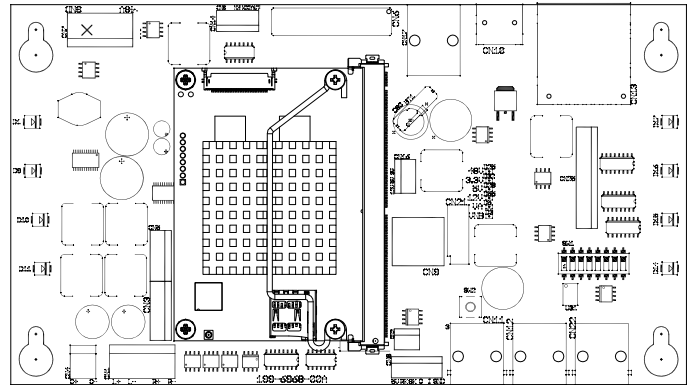


Figure 4.1.1. SPIKE 2 CPU Node connector detail.

COUNTRY CODES (DIP S2)

Country	DIP S2							
	1	2	3	4	5	6	7	8
USA	OFF	OFF	OFF	OFF	OFF	OFF	OFF	OFF
Austria	ON	OFF	OFF	OFF	OFF	OFF	OFF	OFF
Australia	ON	OFF	ON	ON	OFF	OFF	OFF	OFF
Belgium	OFF	ON	OFF	OFF	OFF	OFF	OFF	OFF
Canada 1	ON	ON	OFF	OFF	OFF	OFF	OFF	OFF
Canada 2	OFF	ON	OFF	ON	ON	OFF	OFF	OFF
Croatia	OFF	ON	ON	OFF	ON	OFF	OFF	OFF
Denmark	ON	OFF	OFF	ON	OFF	OFF	OFF	OFF
Finland	ON	OFF	ON	OFF	OFF	OFF	OFF	OFF
France	OFF	ON	ON	OFF	OFF	OFF	OFF	OFF
Germany	ON	ON	ON	OFF	OFF	OFF	OFF	OFF
Greece	ON	ON	ON	ON	OFF	OFF	OFF	OFF
Italy	OFF	OFF	OFF	ON	OFF	OFF	OFF	OFF
Japan	ON	OFF	ON	OFF	ON	OFF	OFF	OFF
Middle East	ON	ON	ON	OFF	ON	OFF	OFF	OFF
Netherlands	OFF	OFF	ON	OFF	OFF	OFF	OFF	OFF
New Zealand	OFF	OFF	OFF	OFF	ON	OFF	OFF	OFF
Norway	OFF	ON	OFF	ON	OFF	OFF	OFF	OFF
Portugal	ON	OFF	OFF	OFF	OFF	ON	OFF	OFF
Russia	ON	OFF	OFF	ON	ON	OFF	OFF	OFF
S. Africa	OFF	OFF	ON	OFF	ON	OFF	OFF	OFF
Spain	OFF	ON	OFF	OFF	ON	OFF	OFF	OFF
Sweden	ON	ON	OFF	ON	OFF	OFF	OFF	OFF
Switzerland	OFF	OFF	ON	ON	OFF	OFF	OFF	OFF
Taiwan	OFF	OFF	OFF	ON	ON	OFF	OFF	OFF
United Kingdom	OFF	ON	ON	ON	OFF	OFF	OFF	OFF

COIN DOOR SERVICE SWITCH WIRING

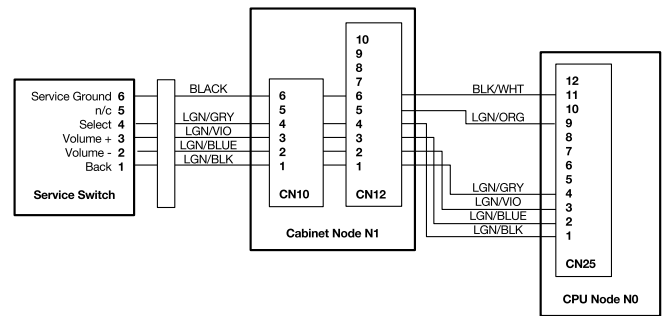
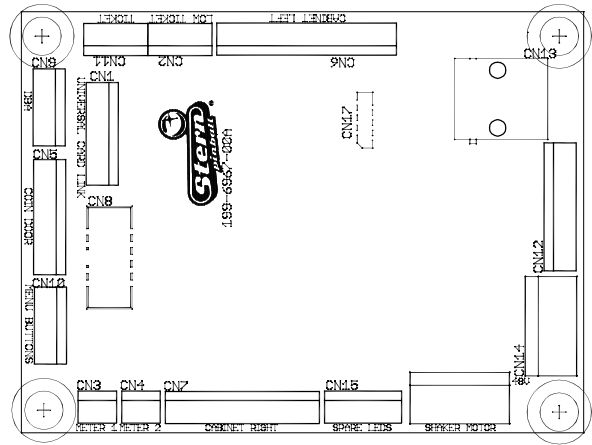


Figure 4.1.2. Service switch wiring. Note that the Cabinet Node must be present and CN10 and CN12 connected for the Coin Door Service Switches to function correctly.

4.2 NODE 1 CABINET

520-6967-72

ID	Type	Pin	Description	Wire Color
CN1	.100" 8-Pin Header Universal Card Link	1	12V	-
		2	Coin 1	-
		3	Meter 1	-
		4	N/C	-
		5	Notch	-
		6	Coin Enable	-
		7	Ticket Enable	-
		8	Ground	-
CN2	.100" 5-Pin Header low ticket	1	Ground	-
		2	Ticket Low sw.	-
		3	Key	-
		4	Ticket Low	-
		5	5V Out	-
CN3	.100" 3-Pin Header Meter 1	1	Meter 12V (+)	RED
		2	Meter (-)	BLK
		3	N/C	-
CN4	.100" 3-Pin Header Meter 2	1	Meter 12V (+)	RED
		2	Meter (-)	BLK
		3	N/C	-
CN5	.100" 9-Pin Header	1	5V Out	YEL/WHT
		2	Coin LED Out	YEL
		3	Ground	BLK
		4	Slam Tilt In	LGN/RED
		5	Coin 5	PNK/GRN*
		6	Coin 4	PNK/YEL*
		7	Coin 3	PNK/ORN*
		8	Coin 2	PNK/RED*
		9	Coin 1	PNK/BRN*
CN6	.100" 14-Pin Header Cabinet Left	1	5V LED Power	RED
		2	Start 2 LED	RED-RED
		3	Start 1 LED	YEL-BRN
		4	Spare LED	-
		5	Ground	BLK-WHT
		6	Spare Left	-
		7	Tilt Input	WHT
		8	Door Open	-
		9	Start 2 Switch	GRY-WHT
		10	Start 1 Switch	GRY
		11	N/C	-
		12	N/C	-
		13	N/C	-
		14	N/C	-
CN7	.100" 12-Pin Header Cabinet Right	1	5V LED Power	RED
		2	Plunge 2 LED	RED-WHT
		3	Plunge 1 LED	GRN-WHT
		4	Spare LED 2	BLU-WHT
		5	Ground	BLK-WHT
		6	Spare Right In	-
		7	Plunge 2 Switch	-
		8	Plunge 1 Switch	TAN-WHT
		9	N/C	-
		10	N/C	-
		11	N/C	-
		12	N/C	-

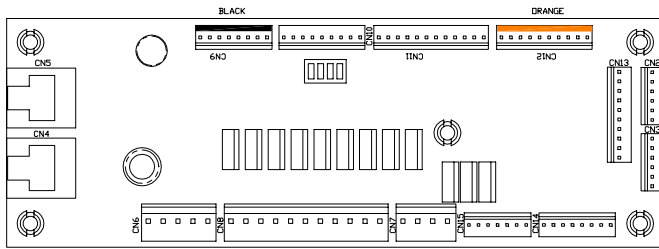


CN9	.100" 6-Pin Header Dollar Bill Acceptor	1	Coin Enable/DBA Inhibit (-)	-
		2	Coin Enable/DBA Inhibit (+)	-
		3	Key	Key
		4	DBA 12V	-
		5	Coin 6 / DBA Credit	-
		6	Ground	-
CN10	.100" 6-Pin Header Service Switch In	1	Service Back (To Coindoor)	LGN-BLK
		2	Service Down (To Coindoor)	LGN-BLU
		3	Service Up (To Coindoor)	LGN-VIO
		4	Service Select (To Coindoor)	LGN-GRY
		5	Key	Key
		6	Service Ground (To Coindoor)	BLK
CN11	.100" 5-Pin Header Ticket Dispenser	1	12V	RED
		2	N/C	-
		3	Ticket Dispenser Enable	WHT
		4	Ground	BLK
		5	Ticket Dispenser Notch	BLU
CN12	.100" 10-Pin Header CPU Direct Switches	1	Service Back (To CPU)	LGN-BLK
		2	Service Down (To CPU)	LGN-BLU
		3	Service Up (To CPU)	LGN-VIO
		4	Service Select (To CPU)	LGN-GRY
		5	Power Present	LGN-ORG
		6	Service Ground (To CPU)	BLK-WHT
		7	N/C	-
		8	N/C	-
		9	N/C	-
		10	N/C	-
CN14	.156" 5-Pin Header Power Input	1	Ground	BLK
		2	Key	Key
		3	N/C	-
		4	N/C	-
		5	48VDC In	GRY-YEL
CN15	.100" 6-Pin Header Spare LED's	1	5V LED Power	-
		2	Key	Key
		3	Spare LED 3	-
		4	Spare LED 4	-
		5	Spare LED 5	-
		6	Spare LED 6	-
CN16	.156" 5-Pin Header Shaker Motor	1	Shaker Motor (-)	BLU
		2	Shaker Motor (-)	-
		3	Shaker Motor (+)	-
		4	Key	Key
		5	Shaker Motor (+)	RED
				*Varies by country model



4.3 LOWER PLAYFIELD 48V DRIVER PINOUT NODE 8

520-7017-72



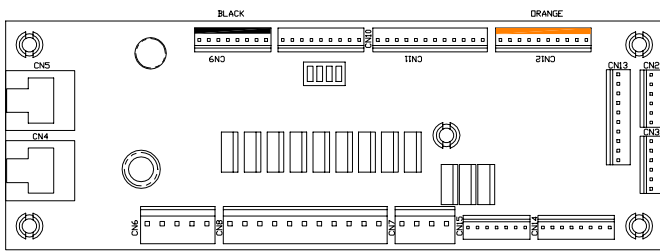
ID	Type	Pin	Description	Wire Color
SW1	Address DIP	-	Node 8 - OFF-OFF-OFF-OFF	-
CN4	RJ45	-	SPIKE Node Bus	n/a
CN5	RJ45	-	SPIKE Node Bus	Multi
CN6	.156" 5-Pin Header Node Power	1	Ground	BLK
		2	Key	Key
		3	N/C	-
		4	N/C	-
		5	48VDC In	GRY
CN7	.156" 4-Pin Header (White)	1	48V Driver Power	GRY-ORG
		2	8-DR-8 Driver Return	YEL-RED
		3	8-DR-6 Driver Return	YEL-BRN
		4	8-DR-7 Driver Return	-
CN8	.156 11-Pin Header (White)	1	48V Driver Power	GRY-ORG
		2	48V Driver Power	GRY-ORG
		3	48V Driver Power	GRY-ORG
		4	48V Driver Power	GRY-ORG
		5	8-DR-0 Driver Return	ORG-GRN
		6	8-DR-5 Driver Return	ORG-YEL
		7	8-DR-1 Driver Return	ORG-GRY
		8	8-DR-8 Driver Return	-
		9	8-DR-4 Driver Return	ORG-WHT
		10	8-DR-2 Driver Return	ORG-VIO
		11	8-DR-3 Driver Return	ORG-BLU
CN9	.100" 8-Pin Header	1	V+	-
		2	V+	-
		3	8-SW-24 Switch	GRY-RED
		4	8-SW-25 Switch	GRY-BRN
		5	8-SW-26 Switch	-
		6	8-SW-27 Switch	-
		7	Ground	BLK-GRN
		8	Ground	-
CN10	.100" 9-Pin Header	1	V+	-
		2	8-SW-28 Switch	GRY-WHT
		3	8-SW-29 Switch	GRY-VIO
		4	8-SW-30 Switch	GRY-BLU
		5	8-SW-31 Switch	GRY-GRN
		6	8-SW-16 Switch	GRY-YEL
		7	Ground	BLK-GRN
		8	Ground	BLK-GRN
		9	Ground	BLK-GRN

CN11	.100" 12-Pin Header	1	V+	-
		2	8-SW-26 Switch	LGN-BLK
		3	8-SW-27 Switch	-
		4	8-SW-17 Switch	LGN-RED
		5	8-SW-18 Switch	LGN-ORG
		6	8-SW-19 Switch	LGN-YEL
		7	8-SW-20 Switch	LGN-BLU
		8	8-SW-21 Switch	LGN-VIO
		9	8-SW-22 Switch	LGN-GRY
		10	8-SW-23 Switch	LGN-WHT
		11	Ground	BLK-ORG
		12	Ground	BLK-ORG
CN12	.100" 10-Pin Header (Orange)	1	V+	RED
		2	8-SW-8 Switch	WHT-BRN
		3	8-SW-9 Switch	WHT-RED
		4	8-SW-10 Switch	-
		5	8-SW-11 Switch	-
		6	8-SW-12 Switch	WHT-GRN
		7	8-SW-13 Switch	WHT-BLU
		8	8-SW-14 Switch	WHT-VIO
		9	8-SW-15 Switch	WHT-GRY
		10	Ground	BLK-RED
CN13	.100" 10-Pin Header	1	V+	-
		2	8-SW-0 Switch	PNK-BLK
		3	8-SW-1 Switch	PNK-BRN
		4	8-SW-2 Switch	PNK-RED
		5	8-SW-3 Switch	PNK-ORG
		6	8-SW-4 Switch	-
		7	8-SW-5 Switch	-
		8	8-SW-6 Switch	-
		9	8-SW-7 Switch	-
		10	Ground	BLK-BRN
CN14	.100" 8-Pin Header	1	Ground	-
		2	8-LP-7 Driver Return	ORG-VIO
		3	8-LP-6 Driver Return	ORG-BLU
		4	8-LP-5 Driver Return	ORG-YEL
		5	8-LP-4 Driver Return	ORG
		6	8-LP-3 Driver Return	ORG-RED
		7	LED V+	YEL
		8	LED V+	YEL
CN15	.100" 7-Pin Header	1	LED V+	YEL-BLK
		2	LED V+	YEL-RED
		3	LED V+	-
		4	-	-
		5	8-LP-0 GI Return	WHT-BLK
		6	8-LP-1 GI Return	RED-BLK
		7	8-LP-2 GI Return	-
CN2	.100" 6-Pin Header, Node Extension Bus	1	Ground	BLK
		2	DIN	VIO-BLK
		3	DOUT	VIO-BRN
		4	SCK	VIO-RED
		5	RCK	VIO-ORG
		6	V+	RED
CN3	.100" 6-Pin Header, Node Extension Bus	1	Ground	BLK
		2	DIN	VIO-BLK
		3	DOUT	VIO-BRN
		4	SCK	VIO-RED
		5	RCK	VIO-ORG
		6	V+	RED



4.4 MID UPPER PLAYFIELD 48V DRIVER PINOUT NODE 9

520-7017-72



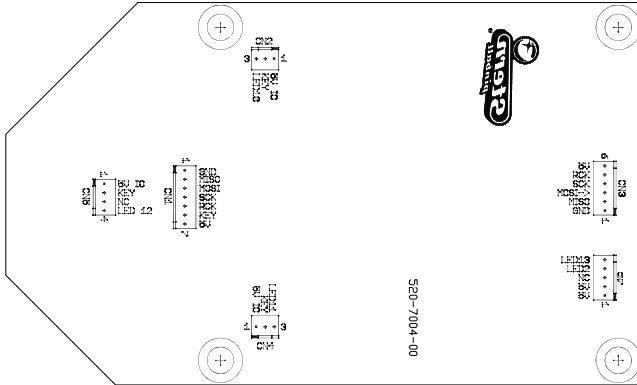
ID	Type	Pin	Description	Wire Color
SW1	Address DIP	-	Node 9 - OFF-OFF-ON-OFF	-
CN4	RJ45	-	SPIKE Node Bus	n/a
CN5	RJ45	-	SPIKE Node Bus	Multi
CN6	.156" 5-Pin Header Node Power	1	Ground	BLK
		2	Key	Key
		3	N/C	-
		4	N/C	-
		5	48VDC In	GRY
CN7	.156" 4-Pin Header (White)	1	48V Driver Power	GRY-BRN
		2	9-DR-8 Driver Return	-
		3	9-DR-6 Driver Return	ORG
		4	9-DR-7 Driver Return	YEL-GRN
CN8	.156 11-Pin Header (White)	1	48V Driver Power	GRY-BRN
		2	48V Driver Power	GRY-BRN
		3	48V Driver Power	GRY-BRN
		4	48V Driver Power	GRY-BRN
		5	9-DR-0 Driver Return	BRN-BLK
		6	9-DR-5 Driver Return	-
		7	9-DR-1 Driver Return	YEL-ORG
		8	9-DR-8 Driver Return	-
		9	9-DR-4 Driver Return	ORG-RED
		10	9-DR-2 Driver Return	ORG-BLK
		11	9-DR-3 Driver Return	ORG-BRN
CN9	.100" 8-Pin Header	1	V+	-
		2	V+	-
		3	9-SW-24 Switch	-
		4	9-SW-25 Switch	-
		5	9-SW-26 Switch	-
		6	9-SW-27 Switch	-
		7	Ground	-
		8	Ground	-
CN10	.100" 9-Pin Header	1	V+	RED
		2	9-SW-28 Switch	GRY-BLK
		3	9-SW-29 Switch	GRY-BRN
		4	9-SW-30 Switch	GRY-RED
		5	9-SW-31 Switch	GRY-ORG
		6	9-SW-16 Switch	GRY
		7	Ground	BLK-YEL
		8	Ground	BLK-YEL
		9	Ground	BLK-YEL

CN11	.100" 12-Pin Header	1	V+	-
		2	9-SW-26 Switch	TAN-BLK
		3	9-SW-27 Switch	TAN-RED
		4	9-SW-17 Switch	TAN-ORG
		5	9-SW-18 Switch	TAN-YEL
		6	9-SW-19 Switch	TAN-GRN
		7	9-SW-20 Switch	TAN-BLU
		8	9-SW-21 Switch	TAN-VIO
		9	9-SW-22 Switch	-
		10	9-SW-23 Switch	-
		11	Ground	BLK-BLU
		12	Ground	BLK-BLU
CN12	.100" 10-Pin Header (Orange)	1	V+	-
		2	9-SW-8 Switch	-
		3	9-SW-9 Switch	-
		4	9-SW-10 Switch	-
		5	9-SW-11 Switch	-
		6	9-SW-12 Switch	-
		7	9-SW-13 Switch	-
		8	9-SW-14 Switch	-
		9	9-SW-15 Switch	-
		10	Ground	-
CN13	.100" 10-Pin Header	1	V+	RED
		2	9-SW-0 Switch	WHT-RED
		3	9-SW-1 Switch	WHT-ORG
		4	9-SW-2 Switch	WHT-YEL
		5	9-SW-3 Switch	WHT-GRN
		6	9-SW-4 Switch	-
		7	9-SW-5 Switch	-
		8	9-SW-6 Switch	-
		9	9-SW-7 Switch	-
		10	Ground	BLK-GRY
CN14	.100" 8-Pin Header	1	Ground	-
		2	9-LP-7 Driver Return	BRN-ORG
		3	9-LP-6 Driver Return	BRN-YEL
		4	9-LP-5 Driver Return	BLU-YEL
		5	9-LP-4 Driver Return	GRN-YEL
		6	9-LP-3 Driver Return	RED-YEL
		7	LED V+	YEL
		8	LED V+	YEL
CN15	.100" 7-Pin Header	1	LED V+	YEL-BLU
		2	LED V+	YEL-GRN
		3	LED V+	YEL
		4	-	-
		5	9-LP-0 GI Return	BLU-BLK
		6	9-LP-1 GI Return	GRN-BLK
		7	9-LP-2 GI Return	BRN-WHT
CN2	.100" 6-Pin Header, Node Extension Bus	1	Ground	-
		2	DIN	-
		3	DOUT	-
		4	SCK	-
		5	RCK	-
		6	V+	-
CN3	.100" 6-Pin Header, Node Extension Bus	1	Ground	BLK
		2	DIN	VIO-BLK
		3	DOUT	VIO-BRN
		4	SCK	VIO-RED
		5	RCK	VIO-ORG
		6	V+	RED



4.5 FEATURE LED BOARD 8B

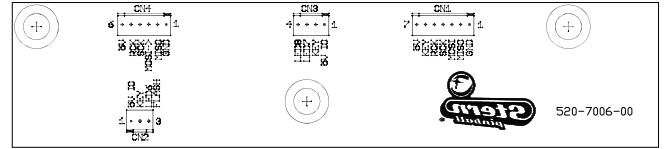
520-7004-00



ID	Type	Pin	Description	Wire Color
CN1	.100" 7-Pin Header	1	Ground	BLK
		2	MISO Output Data	VIO-BLK
		3	MOSI Input Data	VIO-BRN
		4	SCK Serial Clock	VIO-RED
		5	RCK Register Clock	VIO-ORG
		6	n/c	-
		7	+5 VDC IN	RED
CN2	.100" 3-Pin Header	1	+5 VDC	RED
		2	NC	-
		3	LP-10 Light Return	ORG
CN3	.100" 6-Pin Header	1	Ground	BLK
		2	MISO Output Data	VIO-BLK
		3	MOSI Input Data	VIO-BRN
		4	SCK Serial Clock	VIO-RED
		5	RCK Register Clock	VIO-ORG
		6	V+	RED
CN4	.100" 3-Pin Header	1	+5 VDC	RED
		2	NC	-
		3	LP-11 Light Return	ORG
CN5	.100" 4-Pin Header	1	+5 VDC	RED
		2	NC	-
		3	NC	-
		4	LP-11 Light Return	ORG-WHT
CN7	.100" 5-Pin Header	1	+5 VDC	RED
		2	+5 VDC	RED
		3	NC	-
		4	LP-2 Light Return	ORG-RED
		5	LP-13 Light Return	ORG-YEL

4.6 RIGHT LED BOARD 8C

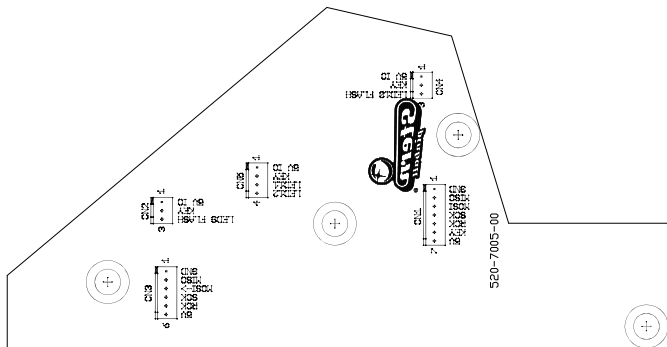
520-7006-00



ID	Type	Pin	Description	Wire Color
CN1	.100" 7-Pin Header	1	Ground	BLK
		2	MISO Output Data	VIO-BLK
		3	MOSI Input Data	VIO-BRN
		4	SCK Serial Clock	VIO-RED
		5	RCK Register Clock	VIO-ORG
		6	n/c	-
		7	+5 VDC IN	RED
CN2	.100" 3-Pin Header	1	+5 VDC	RED
		2	NC	-
		3	LP-6 Light Return	ORG
CN3	.100" 4-Pin Header	1	+5 VDC	RED
		2	NC	-
		3	LP-7 Light Return	GRN-YEL
		4	LP-8 Light Return	ORG-GRY
CN4	.100" 6-Pin Header	1	Ground	BLK
		2	MISO Output Data	VIO-BLK
		3	MOSI Input Data	VIO-BRN
		4	SCK Serial Clock	VIO-RED
		5	RCK Register Clock	VIO-ORG
		6	V+	RED

4.7 LEFT LED BOARD 8D

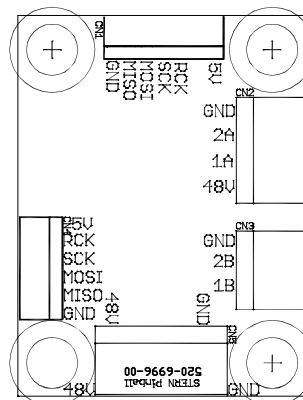
520-7005-00



ID	Type	Pin	Description	Wire Color
CN1	.100" 7-Pin Header	1	Ground	BLK
		2	MISO Output Data	VIO-BLK
		3	MOSI Input Data	VIO-BRN
		4	SCK Serial Clock	VIO-RED
		5	RCK Register Clock	VIO-ORG
		6	n/c	-
		7	+5 VDC IN	RED
CN2	.100" 3-Pin Header	1	+5 VDC	RED
		2	NC	-
		3	LP-9 Light Return	ORG
CN3	.100" 6-Pin Header	1	Ground	BLK
		2	MISO Output Data	VIO-BLK
		3	MOSI Input Data	VIO-BRN
		4	SCK Serial Clock	VIO-RED
		5	RCK Register Clock	VIO-ORG
		6	V+	RED
CN4	.100" 3-Pin Header	1	+5 VDC	RED
		2	NC	-
		3	LP-10 Light Return	ORG
CN5	.100" 4-Pin Header	1	V+	RED
		2	NC	-
		3	LP-11 Light Return	BRN-GRN
		4	LP-12 Light Return	BRN-BLU

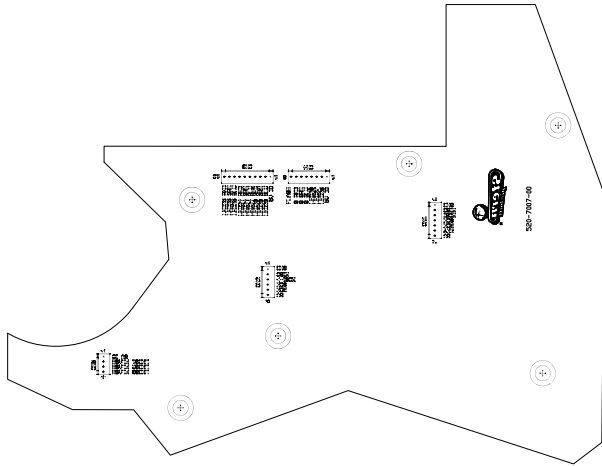
4.8 SERIAL MOTOR DRIVER BOARD 8E

520-6996-00



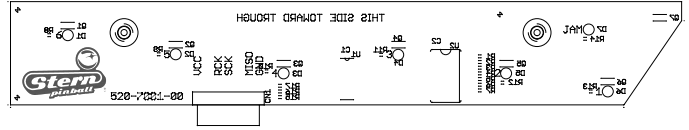
ID	Type	Pin	Description	Wire Color
CN1	.100" 7-Pin Header	1	Ground	BLK
		2	MISO Output Data	VIO-BLK
		3	MOSI Input Data	VIO-BRN
		4	SCK Serial Clock	VIO-RED
		5	RCK Register Clock	VIO-ORG
		6	n/c	-
		7	+5 VDC IN	RED
CN2	.156 4-Pin Connector	1	Ground	-
		2	DRIVE2-A	BRN
		3	DRIVE1-A	GRY
		4	V+	-
CN3	.156 3-Pin Connector	1	Ground	-
		2	DRIVE2-B	-
		3	DRIVE1-B	-
CN4	.100" 6-Pin Header	1	Ground	-
		2	MISO Output Data	-
		3	MOSI Input Data	-
		4	SCK Serial Clock	-
		5	RCK Register Clock	-
		6	V+	-
CN5	.156 5-Pin Connector	1	GND	BLK
		2	KEY	Key
		3	N/C	-
		4	N/C	-
		5	+48 VDC IN	GRY

4.9 CENTER LED BOARD 9A 520-7007-00



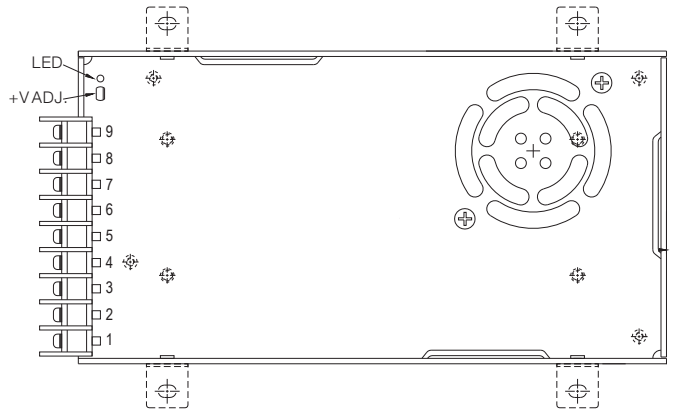
ID	Type	Pin	Description	Wire Color
CN1	.100" 7-Pin Header	1	Ground	BLK
		2	MISO Output Data	VIO-BLK
		3	MOSI Input Data	VIO-BRN
		4	SCK Serial Clock	VIO-RED
		5	RCK Register Clock	VIO-ORG
		6	n/c	-
		7	+5 VDC IN	RED
CN2	.100" 6-Pin Header	1	Ground	BLK
		2	MISO Output Data	VIO-BLK
		3	MOSI Input Data	VIO-BRN
		4	SCK Serial Clock	VIO-RED
		5	RCK Register Clock	VIO-ORG
		6	V+	RED
CN3	.100" 10-Pin Header	1	V+	RED
		2	LP-23 Light Return	BLU-BLK
		3	LP-23 Light Return	GRN-BLK
		4	LP-23 Light Return	RED-BLK
		5	LP-24 Light Return	BLU-BRN
		6	LP-24 Light Return	GRN-BRN
		7	LP-24 Light Return	RED-BRN
		8	LP-25 Light Return	BLU-RED
		9	LP-25 Light Return	GRN-RED
		10	LP-25 Light Return	RED-WHT
CN4	.100" 9-Pin Header	1	V+	RED
		2	LP-26 Light Return	BRN-BLK
		3	LP-27 Light Return	BRN
		4	LP-28 Light Return	BRN-RED
		5	LP-29 Light Return	BLU-ORG
		6	LP-29 Light Return	GRN-ORG
		7	LP-29 Light Return	RED-ORG
		8	LP-30 Light Return	YEL-BRN
CN5	.100" 4-Pin Header	1	V+	RED
		2	LP-31 Light Return	YEL-ORG
		3	LP-32 Light Return	YEL-VIO
		4	LP-33 Light Return	YEL-GRY

4.10 THROUGH SERIAL OPTO RECEIVER EXTENSION 8A 520-7001-00



ID	Type	Pin	Description	Wire Color
CN1	.100" 7-Pin Header	1	Ground	BLK
		2	MISO Output Data	VIO-BLK
		3	MOSI Input Data	-
		4	SCK Serial Clock	VIO-RED
		5	RCK Register Clock	VIO-ORG
		6	N/C	-
		7	+5 VDC IN	RED

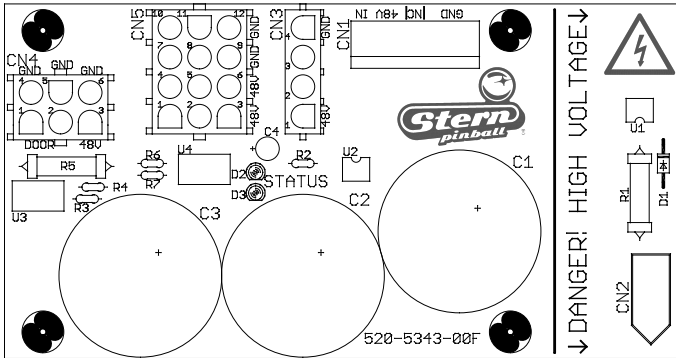
4.11 MAIN POWER SUPPLY 011-5003-00



ID	Type	Pin	Description	Wire Color
CN1	Screw Terminal	1	AC Line Hot In	BLK
		2	AC Line Neutral In	WHT
		3	Earth Ground In	GRN
		4	DC Ground	BLK
		5	DC Ground	BLK
		6	DC Ground	BLK
		7	+48 V System Power	GRY
		8	+48 V System Power	GRY
		9	+48 V System Power	GRY

4.12 POWER DISTRIBUTION BOARD

520-5343-01



ID	Type	Pin	Description	Wire Color
CN1	.156 in 7-Pin Housing Plug: 045-5259-07 Pin: 055-5331-00 Key: 060-5013-00	1	+48 VDC IN	GRY
		2	+48 VDC IN	GRY
		3	+48 VDC IN	GRY
		4	Key (n/c)	-
		5	Ground	BLK
		6	Ground	BLK
		7	Ground	BLK
CN2	.093 in 3-Pos Plug Plug: 045-5003-03 Pin: 055-5013-09	1	Line In (100-240 VAC)	BLK
		2	Neutral	WHT
		3	Earth Ground	GRN
CN3	0.084 in 4-Pos Plug Plug: 045-5200-04 Pin: 055-5033-08	1	+48 VDC to CPU Node	GRY
		2	Door Interlock Switch Status	GRY/RED
		3	Line Voltage Status	VIO
		4	Ground	BLK
CN4	0.084 in 6-Pos Plug Plug: 045-5200-06 Pin: 055-5033-08	1	Door Interlock Switch +48V	-
		2	Door Interlock Switch +48V	-
		3	Switched 48V Out (to Node 1)	GRY/YEL
		4	Door Interlock Return Ground	-
		5	Door Interlock Return Ground	-
		6	Ground (to Node 1)	BLK
CN5	0.084 in 12-Pos Plug Plug: 045-5200-12 Pin: 055-5033-08	1	Switched 48V Node Power	GRY
		2	Switched 48V Node Power	GRY
		3	Switched 48V Node Power	GRY
		4	Switched 48V Node Power	GRY
		5	Switched 48V Node Power	GRY
		6	Switched 48V Node Power	GRY
		7	Node Ground	BLK
		8	Node Ground	BLK
		9	Node Ground	BLK
		10	Node Ground	BLK
		11	Node Ground	BLK
		12	Node Ground	BLK
CN6	.156 in 3-Pos Plug Plug: 045-5259-03 Pin: 055-5331-00 (18awg)	1	Ground	-
		2	Ground	-
		3	+12VDC	-
CN7	.084 2-Pos Plug Plug: 045-5200-02 Pin: 055-5033-08	1	+48 VDC to CPU Node	-
		2	Ground	-

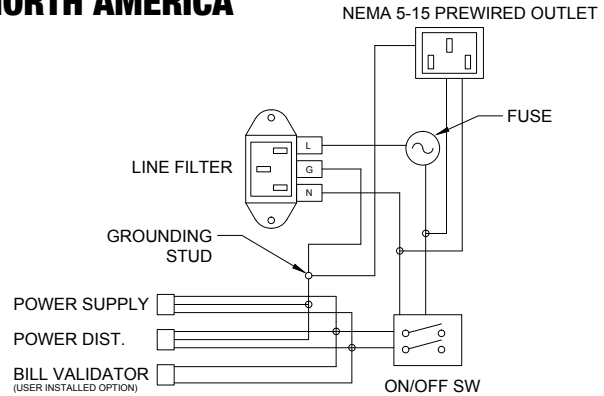
4.13 POWER PLUG WIRING

CAUTION

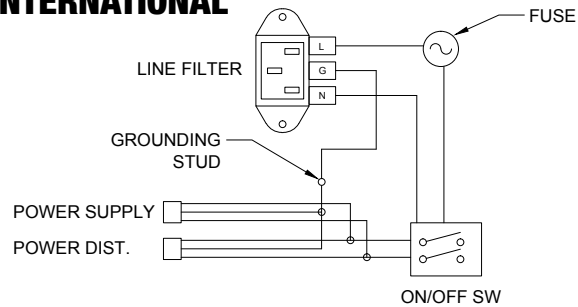
TO MAINTAIN SAFETY, GROUND WIRE FROM LINE FILTER IS TO BE MOUNTED FIRST ON GROUNDING STUD AND SECURED WITH NUT. ALL OTHER GROUNDS MAY THEN BE ATTACHED TO GROUNDING STUD.

REPLACE ALL FUSES WITH CORRECT CURRENT RATINGS!

NORTH AMERICA



INTERNATIONAL



LINE CORDS

Part Number	Description
034-6012-00	Line Cord, 3m, 5-15P USA
034-6012-01	Line Cord, 3m, CEE77P EUROPE
034-6012-02	Line Cord, 3m, BS1363P United Kingdom
034-6012-03	Line Cord, 3m, AS-NZS4417P Australia
034-6012-04	Line Cord, 3m, CEI23-16P Italy
034-6012-05	Line Cord, 3m, SEV1011P Switzerland
034-6012-06	Line Cord, 3m, JIS8303P Japan
034-6012-07	Line Cord, 3m, SI32P Israel
034-6012-08	Line Cord, 3m, BS546P S Africa, India
034-6012-09	Line Cord, 3m, IS6538P S. India

LINE FUSES

Line Voltage (Region)	Fuse Current	Type	Part Number
120V (North America)	8 A	Slow Blow MDL	200-5000-05
220/240v (Europe, Australia, UK)	5 A	Slow Blow MDL	200-5000-01



5. PARTS REFERENCE

5.1 PLAYFIELD RUBBER PARTS

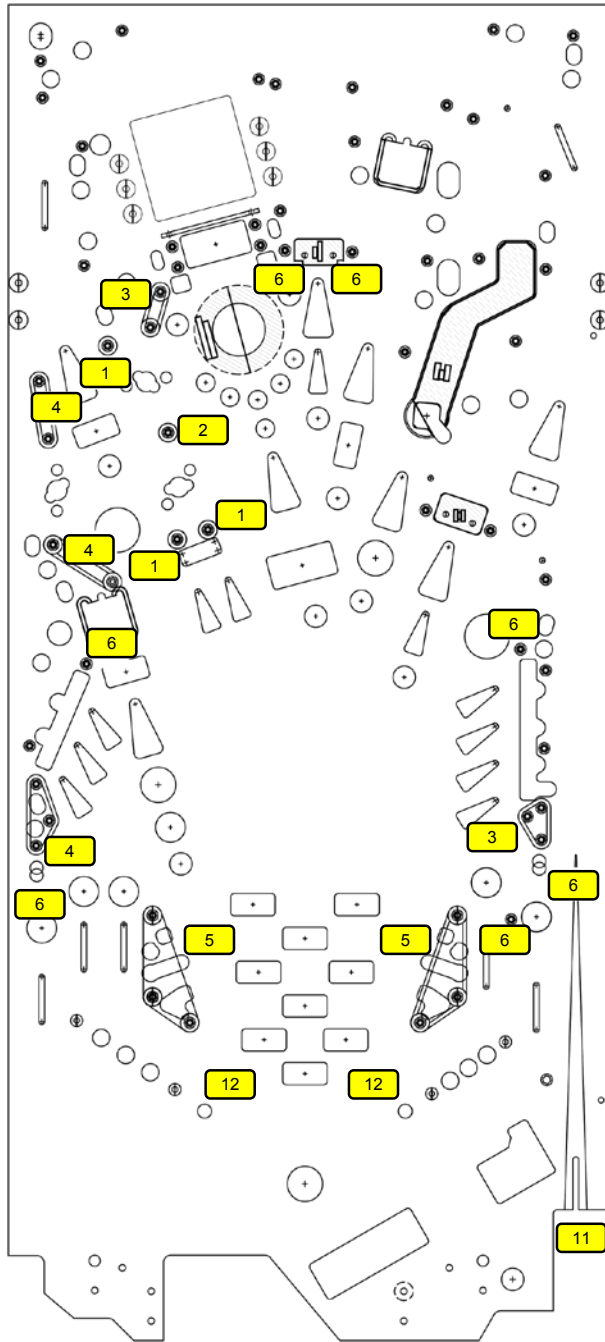


Figure 5.1.1. Rubber o-ring part locations

RUBBER O-RINGS

ID	Qty	Size (ID)	Size (OD)	Durometer	Color	Part Number
1	3	3/16"		50	Black	545-5348-01
2	1	3/8"		50	Black	545-5348-03
3	2	3/4"		50	Black	545-5348-04
4	3	1"		50	Black	545-5348-05
5	2	2"		50	Black	545-5248-08
6	7		7/16"	50	Black	545-5348-17

Figure 5.1.2. Rubber o-ring part numbers and usage. ID: Inner Diameter, OD: Outer Diameter, Durometer: Higher number is firmer, less bounce, and more durable.

ID	Qty	Description	Color	Part Number
11	1	Plunger Tip	Black	545-5276-00
12	2	Flipper Rubber	Black	545-5277-00
13	6	Bumper Pad (Sub assemblies)	Black	545-5105-00
14	2	Bumper Pad (Flippers)	Black	545-5428-00

Figure 5.1.3. Other rubber part numbers and usage

5.2 RUBBER SIZE CHART

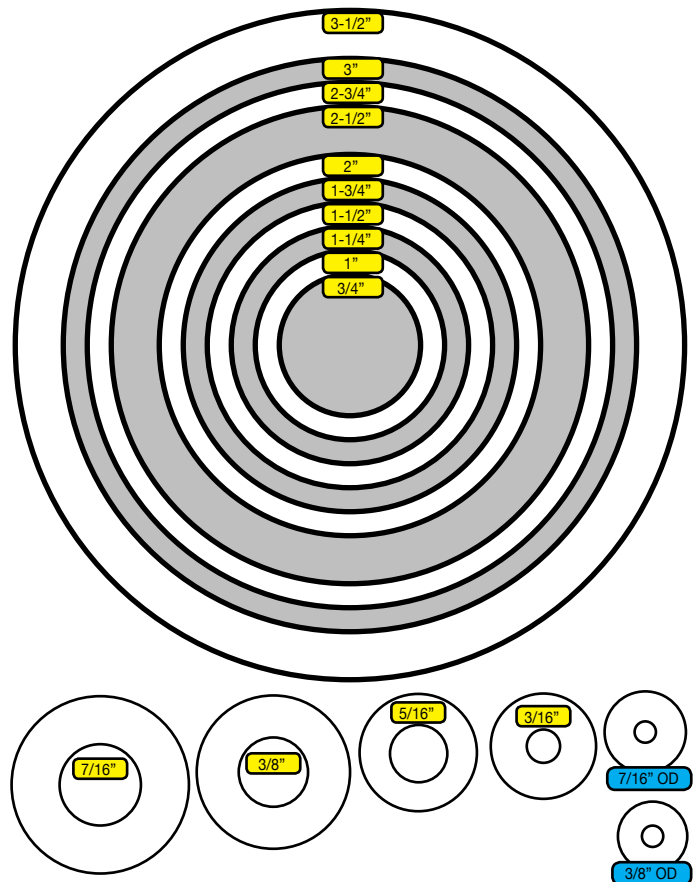
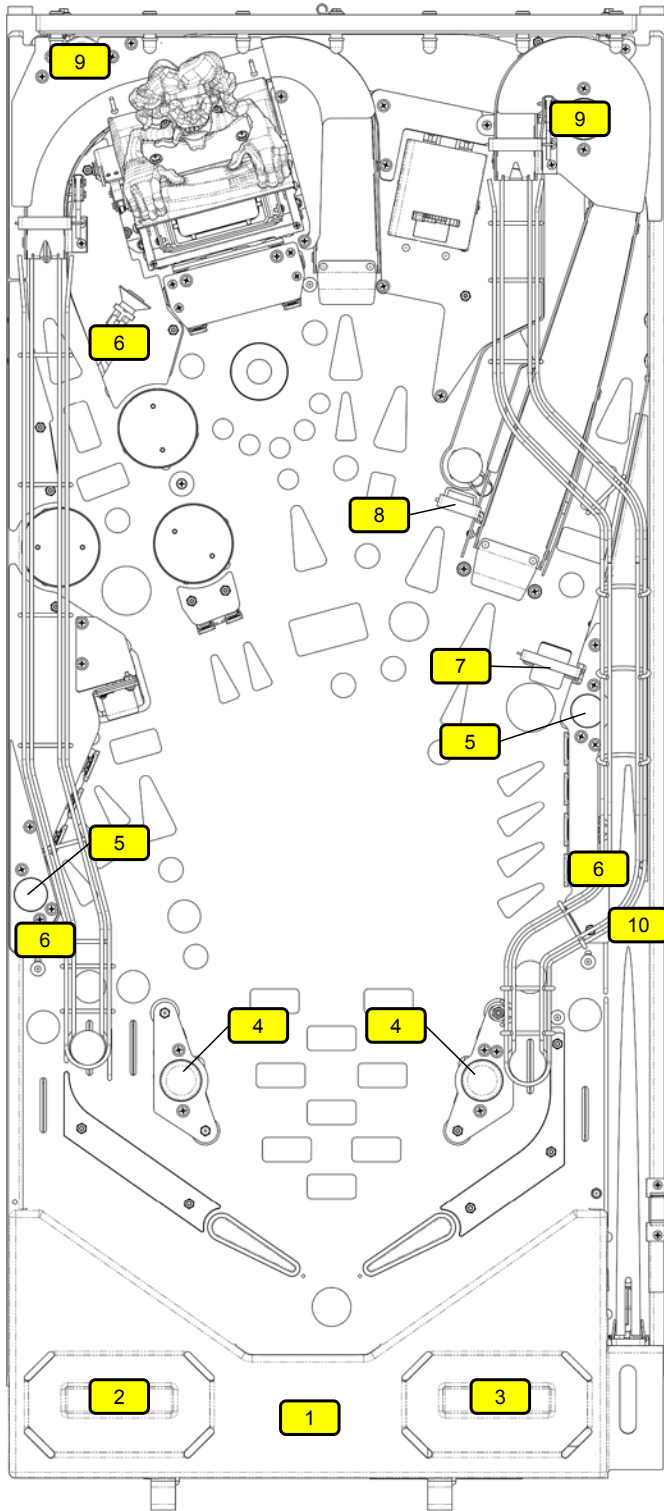


Figure 5.2.1. Rubber ring inner diameter sizing tool. Hold ring up to chart and read largest size on inside of ring. Dimensions are Inner Diameter (ID) unless otherwise noted as Outer Diameter (OD).

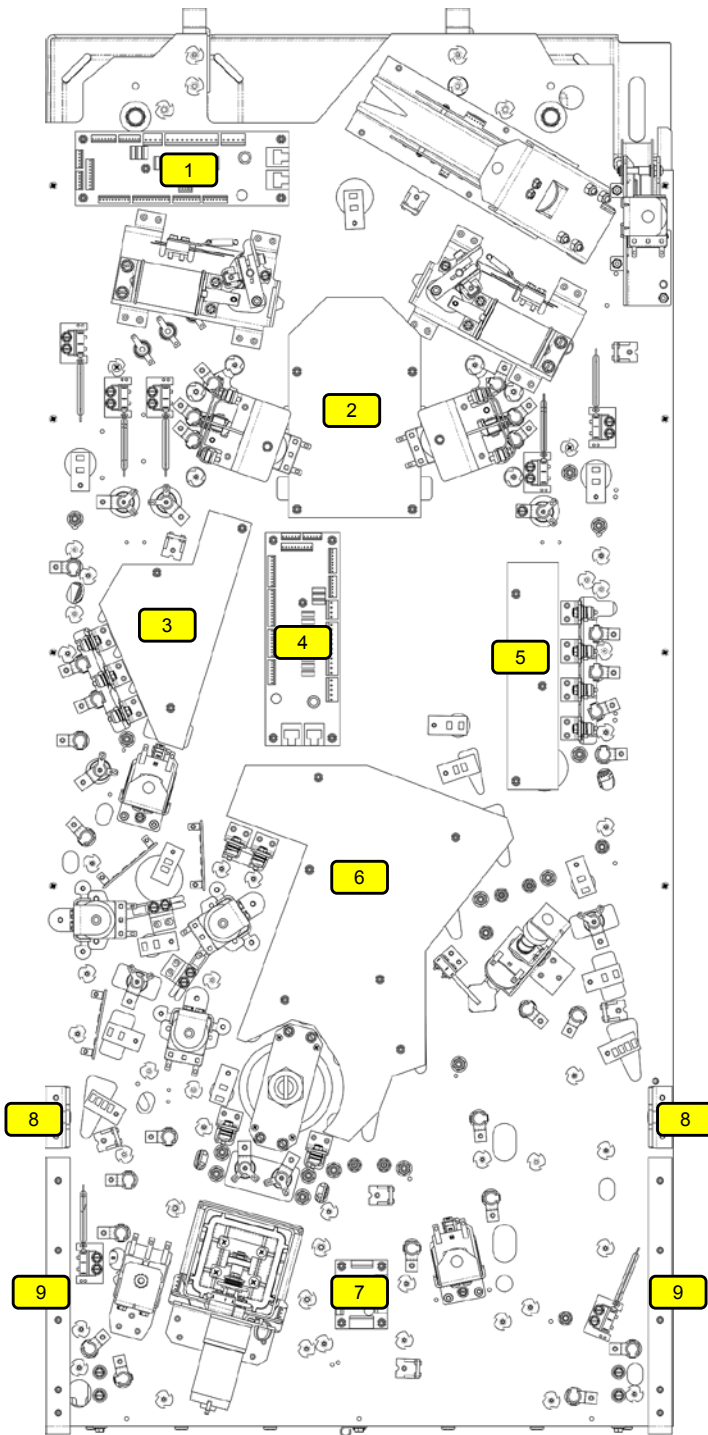
5.3 PLAYFIELD ASSEMBLIES, TOP



ID	Part Number	Description	Qty
1	545-5995-02	Bottom Arch Assembly	1
2	755-5115-12-Y	Instruction Card	1
3	755-5400-02-Y	Coin Card (USA)	1
4	550-5031-02	Dome - Red	2
5	550-5031-03	Mini Dome - Amber	2
6	545-5409-00	Light Reflector	3
7	511-7655-00-15	Spinner Target & Bracket	1
8	535-1403-00	1-Way Gate Wire	1
	535-1402-00	1-Way Gate Bracket	1
9	550-5031-06	Dome - Yellow	2
10	535-8145-00	Shooter Lane Ramp	1

Figure 5.3.1. Major playfield assemblies, Top locations.

5.4 PLAYFIELD ASSEMBLIES, BOTTOM



ID	Part Number	Description	Qty
1	520-7017-72	Core Node Board	1
2	520-7004-00	LED Board	1
3	520-7005-00	LED Board	1
4	520-7017-72	Core Node Board	1
5	520-7006-00	LED Board	1
6	520-7007-00	LED Board	1
7	520-6996-00	Motor Driver Board	1
8	500-5329-03	Bracket Pivot Pin	2
9	535-5988-01	Edge Slide Bracket	2

Figure 5.4.1. Major playfield assemblies, Bottom locations.

5.5 BACKBOX PARTS

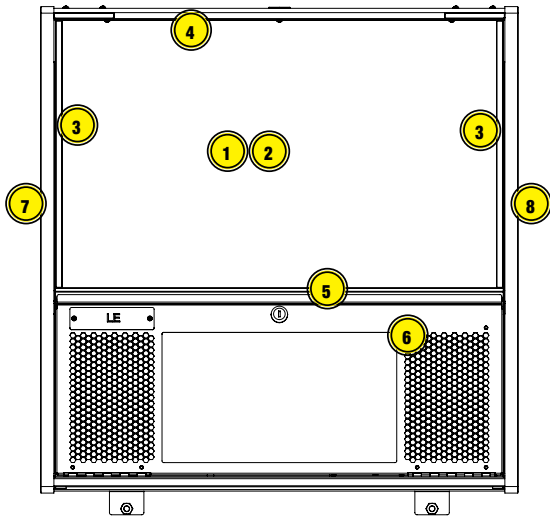


Figure 5.5.1. Backbox external assemblies and components

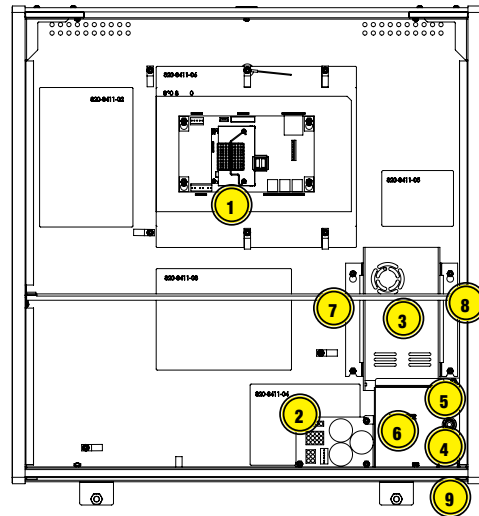


Figure 5.5.2. Backbox internal assemblies and components

EXTERNAL

ID	Part Number	Description	Qty
1	660-5052-00	Backglass	1
2	830-5215-00	Translite Art	1
3	545-5018-17	Plastic Extrusion 15-.450"	2
4	545-5018-15	Glass Channel 26"	1
5	545-6313-01	Glass Lift Channel 26"	1
6	500-9996-12	LCD Speaker Panel Assembly	1
7	820-7815-01	Left Backbox Decal	1
8	820-7815-02	Right Backbox Decal	1

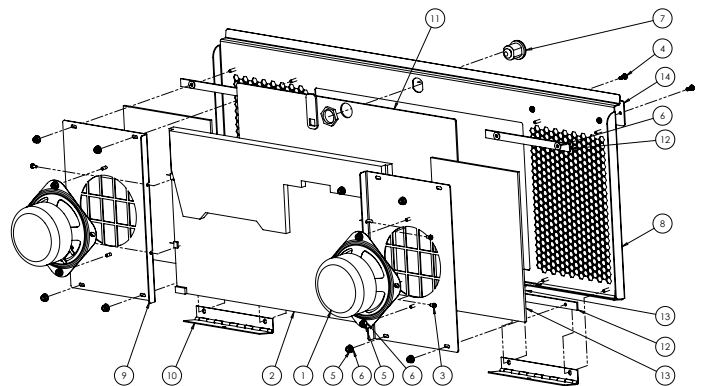
INTERNAL

ID	Part Number	Description	Qty
1	509-1000-00	CPU Node Board	1
2	520-5343-01	Power Distribution Board	1
3	011-5003-00	Power Supply 48V/500W	1
4	515-9769-00	Utility Outlet (USA)	1
5	205-5001-00	Fuse Holder-Screw in	1
	200-5000-05	8A Fuse	1
6	535-1130-00	Cover AC	1
7	535-1129-00	Power supply bracket	1
8	535-1129-01	Power supply bracket	1
9	180-5001-03	Power Switch	1
	034-6012-00	Line Cord-3M 5-15P/C13RA*	1

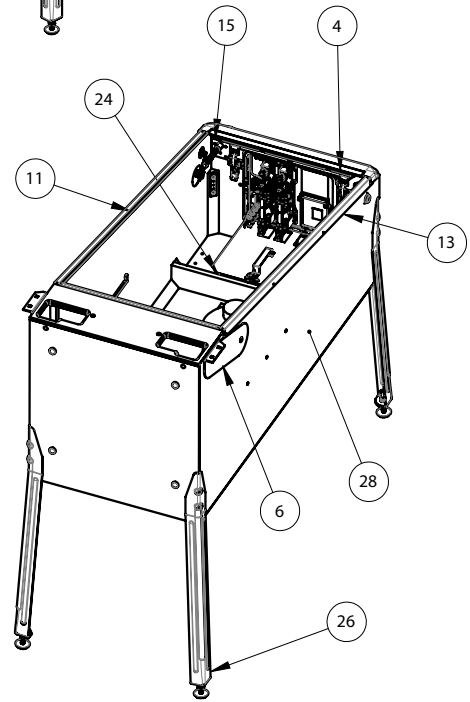
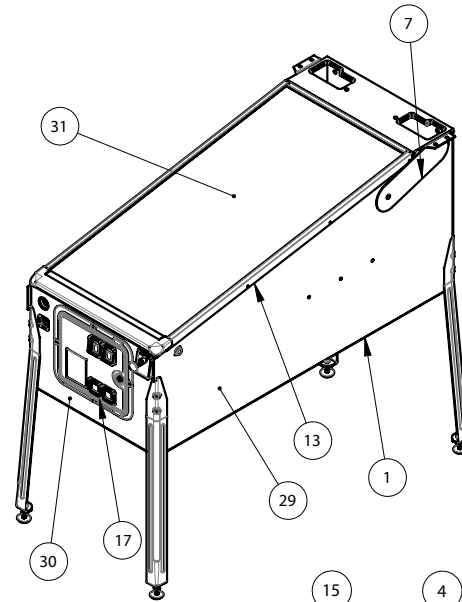
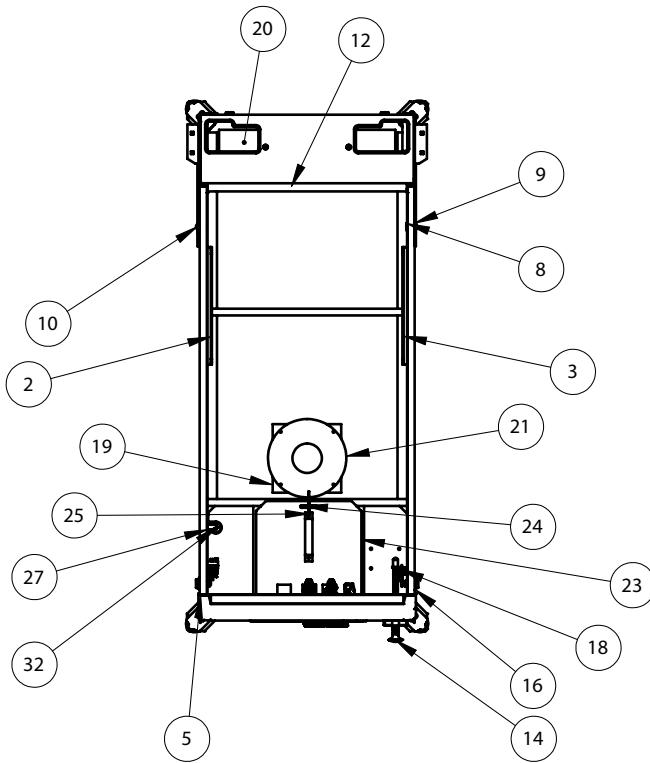
5.6 SPEAKER PANEL PARTS

500-9996-15

ID	Part Number	Description	Qty
1	031-5004-02	Speaker	2
2	116-0023-00	1366 x 768 Display LCD Panel	1
3	237-6188-01	Screw, M3x0.5 X 6MM PPH Sems Zinc	4
4	237-6307-06	6-32 X 3/8" Torx Stainless Steel Screw	2
5	240-5005-00	6-32 Nylon Stop Nut	12
6	242-5001-00	#6 Washer	16
7	355-5168-00-00	Nut: Lock w/ Cam	1
8	515-9842-00	Speaker Panel-LCD	1
9	515-9843-00	Speaker Plate	2
10	515-9845-00	Hinge, Speaker Panel, LCD	2
11	545-9877-00	LCD Window	1
12	545-9877-01	Spacer, Small - LCD Speaker Panel	4
13	626-5109-00	Speaker Foam - LCD Panel	2



5.7 CABINET PARTS

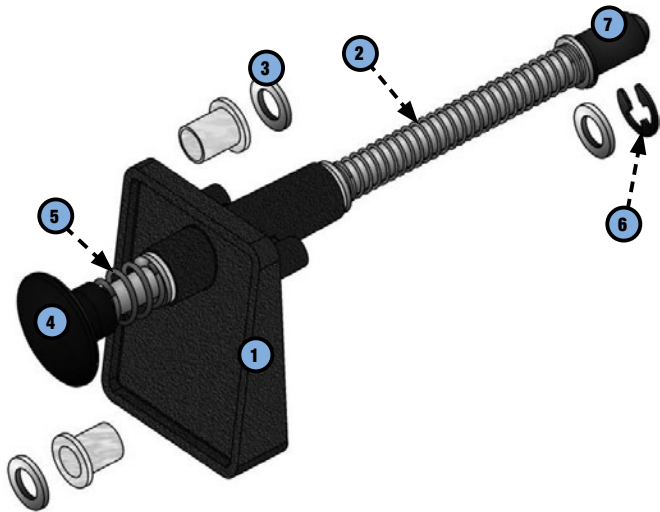


ID	Part Number	Description	Qty
1	525-6011-00	Cabinet (Plunger & Two Buttons)	1
2	535-5989-00	Slide & Pivot Bracket - Left Side	1
3	535-5990-00	Slide & Pivot Bracket - Right Side	1
4	535-0399-00	Cabinet Playfield Support Bracket	1
5	500-2464-00	Front Molding Assembly - Wrinkle Black	1
6	535-7999-00	Pivot Hinge, Left - Wrinkle Black	1
7	535-7999-01	Pivot Hinge, Right - Wrinkle Black	1
8	254-5042-00	Spacer Nut, Hex, 1/2"OD, 1/4-20	2
9	242-5084-00	Washer, 1/2" I.D., 3/16" THK	2
10	231-5072-00	1/4-20 X 1/2" Carriage Bolt	2
11	545-5017-00	Plastic Channel	2
12	545-9802-00	Glass Rear Extrusion	1
13	535-7297-02	Side Armor - Wrinkle Black	2
14	500-6146-00-07	Ball Shooter Assembly	1
15	535-5027-01	Plunger Support Plate, Notched	1
16	500-5026-38	Flipper Button Assembly (White)	2
17	501-5018-173	Coin Door 2-Chute No Emboss	1
18	180-5160-01	Flipper Switch, Single	2
19	545-5072-03	Grill - Speaker / Vent	1
20	545-5072-02	Grill - Speaker / Vent	1
21	031-5007-01	Speaker, Cabinet 8" Round, 4 ohm	1
22	545-5090-00	Cash Box - Plastic	1
23	535-5013-03	Cash Box Cover	1

ID	Part Number	Description	Qty
24	535-7562-00	Cash Box Lock Bracket Wire	1
25	535-7772-00	Hair Pin Clip	1
26	500-5921-50	Leg Assembly - Wrinkle Black	4
27	516-0007-00	Tilt Assembly	1
28	820-7815-03	Decal, Cabinet Left, Aerosmith Pro	1
29	820-7815-04	Decal, Cabinet Right, Aerosmith Pro	1
30	820-7815-05	Decal, Cabinet Front, Aerosmith Pro	1
31	660-5001-00	Playfield Glass	1
32	520-6967-72	Cabinet Node Board	1
	820-7815-XX	Cabinet Decal Replacement Set	

5.8 BALL SHOOTER ASSEMBLY

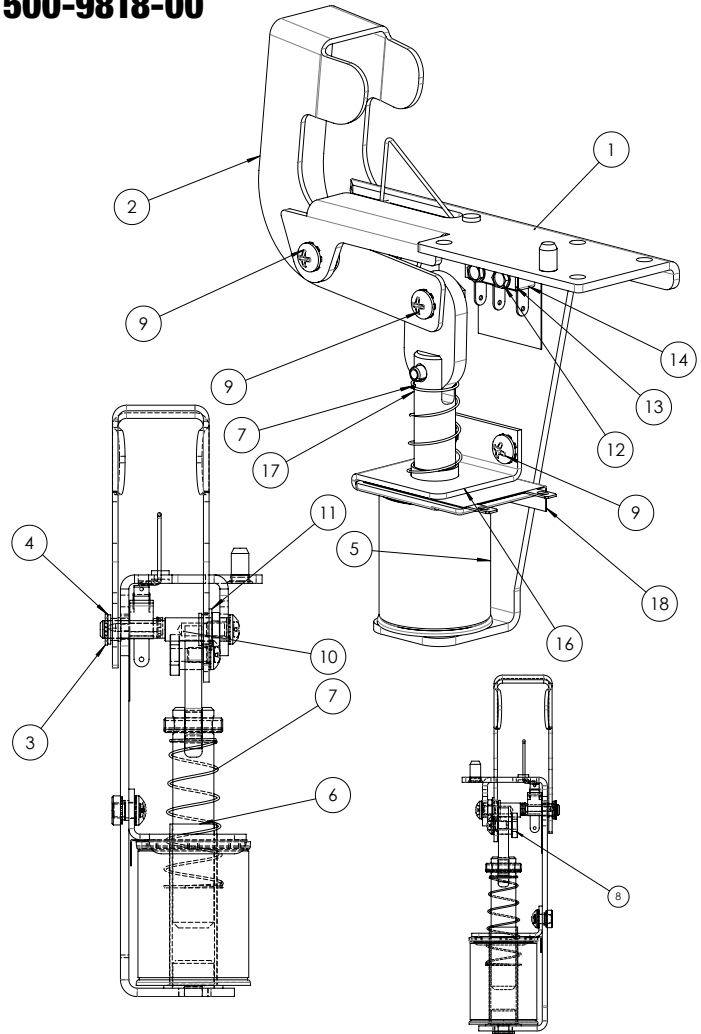
500-6146-00-07



ID	Part Number	Description	Qty
1	535-5067-02	Housing Assembly	1
2	266-5001-07	Compressed Spring (Long) - Orange	1
3	242-5014-00	Washer 3/8 ID x 5/8 OD x 1/16	3
4	515-6557-00	Rod Assembly	1
5	266-5010-00	Compressed Spring (Short)	1
6	270-5012-00	Retaining Ring, 3/8"	1
7	545-5276-00	Rubber Tip	1

5.9 AUTO LAUNCH ASSEMBLY

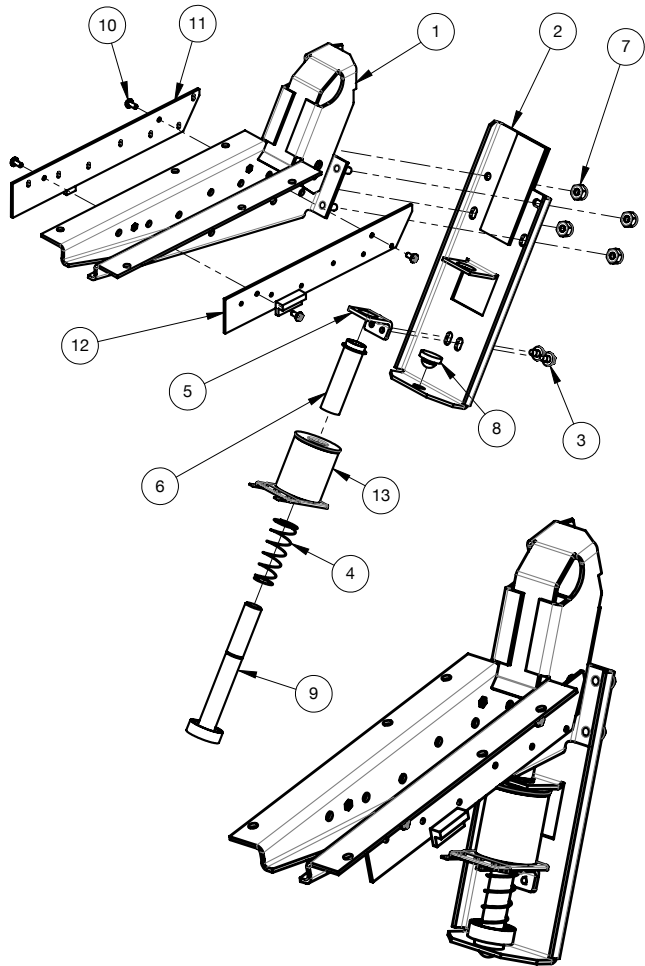
500-9818-00



ID	Part Number	Description	Qty
1	515-9689-00	MAIN BRKT: AUTO-PLUNGER	1
2	535-0728-00	KICKER ARM, AUTO-PLUNGER	1
3	270-5001-00	RETAINING E-RING, 3/16" SHAFT OD	1
4	545-5352-00	NYLINER, 3/16" SHAFT	1
5	090-5001-ND	COIL - 23-800, NO DIODE	1
6	545-5411-00	COIL SLEEVE	1
7	266-5020-00	COMPRESSION SPRING-CONICAL	1
8	530-7834-00	PIN: KICKER ARM, AUTO-PLUNGER	1
9	232-5300-00	SCREW, 8-32 X 1/4" PPH SEMS	4
10	530-7835-00	PIVOT, AUTO-PLUNGER	1
11	545-5423-00	NYLINER, 1/4" SHAFT, 4L1-FF	1
12	237-5937-02	SCREW, 2-56 X 1/2" HWH MS	2
13	535-6539-00	SWITCH BODY PROTECT PLATE	1
14	180-5157-01	SHOOTER SWITCH - SHORT ARM	1
15	545-6268-00	FISCHE PAPER	1
16	535-0762-00	COIL BRACKET-AUTOPLUNGER	1
17	515-6304-03	PLUNGER / LINK ASSEMBLY	1
18	545-0762-00	FISCHE PAPER: AUTO-LAUNCHER	1

5.10 BALL TROUGH ASSEMBLY

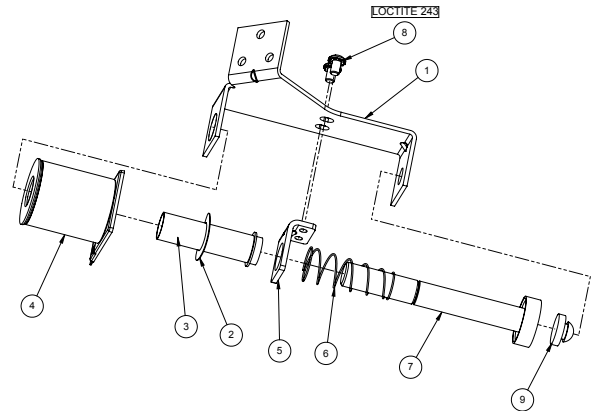
500-9820-00



ID	Part Number	Description	Qty
1	515-7811-00	MAIN BRKT. BALL TROUGH	1
2	515-7812-00	COIL BRACKET, BALL TROUGH	1
3	237-5975-04	SCREW, 8-32 X 1/4" HWH SWAGE SERR	2
4	266-5020-00	COMPRESSION SPRING-CONICAL	1
5	535-5203-03	COIL RETAINING BRACKET	1
6	545-5076-01	COIL SLEEVE	1
7	240-5102-00	8-32 NYLON LOCK NUT	4
8	545-5105-00	RUBBER BUMPER	1
9	515-7309-01	PLUNGER ASSEMBLY	1
10	237-5909-00	SCREW, 4-40 X 1/4" PPH SEMS	4
11	520-5344-00	TROUGH BOARD #1 - ILED TRANSMITTER	1
12	520-5345-00	TROUGH BOARD #2 - RECEIVER	1
13	090-5004-ND	COIL 27-1500 - NO DIODE	1
98*	605-5006-00	SHRINK TUBING 1/8"	.42 FT.
99*	036-5611-11-F5	CABLE TROUGH OPTOS	1

5.11 40 DEGREE KICKER ASSEMBLY

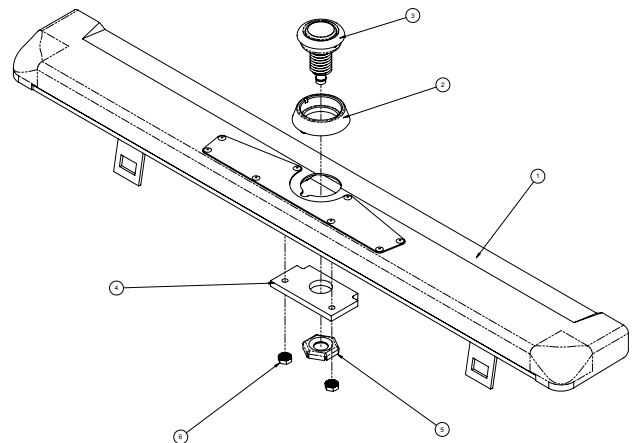
500-1017-00



ID	Part Number	Description	Qty
1	535-0300-00	BRACKET - 40° EJECT - LONG THROW 1	1
2	269-5002-00	SPRING WASHER	1
3	545-5076-01	COIL SLEEVE	1
4	090-5044-ND	COIL 26-1200 - NO DIODE	1
5	535-5203-03	COIL RETAINING BRACKET	1
6	266-5020-00	COMPRESSION SPRING-CONICAL	1
7	515-7309-01	PLUNGER ASSEMBLY	1
8	232-5300-00	SCREW, 8-32 X 1/4" PPH SEMS	2
9	545-5105-00	RUBBER BUMPER	1

5.12 40 FRONT MOLD ASSEMBLY

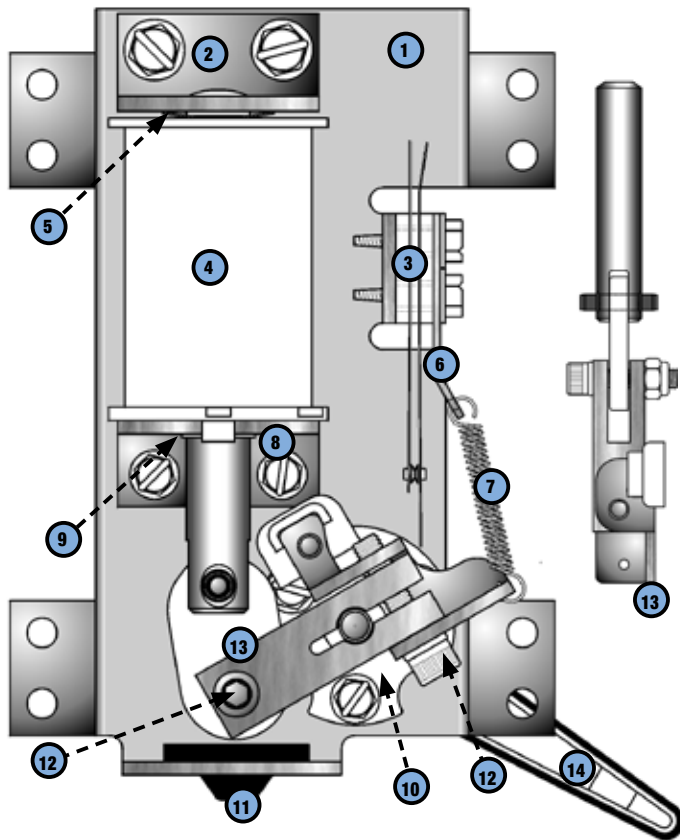
500-2440-00



ID	Part Number	Description	Qty
1	500-2441-00	FRONT MOLD ASSEMBLY - PRO/PREMIUM	1
2	545-7292-10	TOP BUTTON SPACER-MOLDED	1
3	515-7791-00	BUTTON ASSY - CLEAR	1
4	545-7291-00	TOP BUTTON BAR	1
5	240-5003-01	PAL NUT	1
6	240-5104-00	8-32 KEPS NUT	2



5.13 FLIPPER ASSEMBLY, LEFT 500-6543-14-ND



5.14 FLIPPER ASSEMBLY, RIGHT 500-6543-04-ND

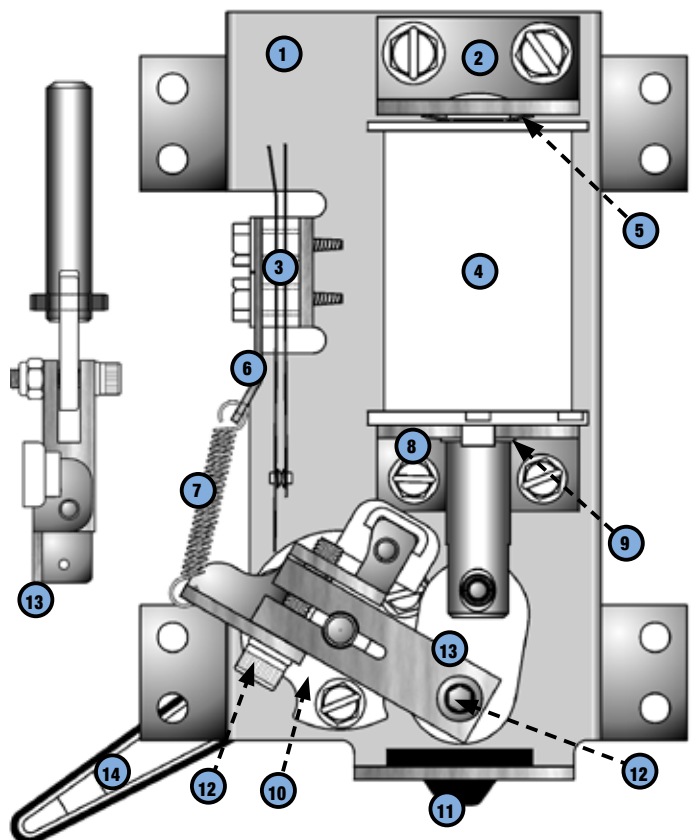


Figure 5.13.1. Left flipper assembly 500-6543-02-ND bottom view.

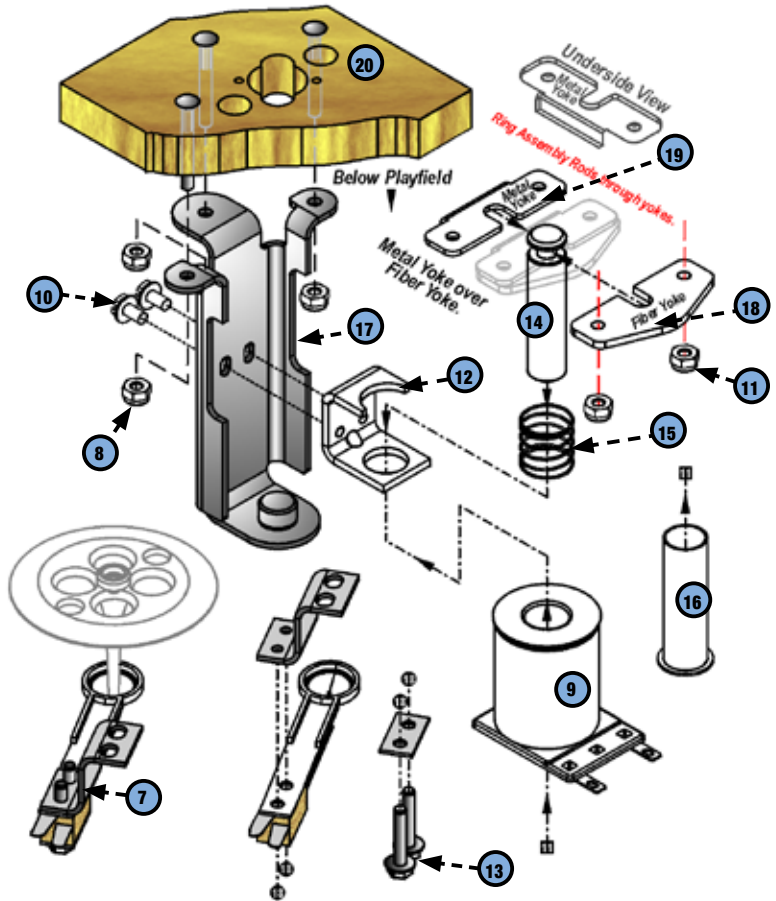
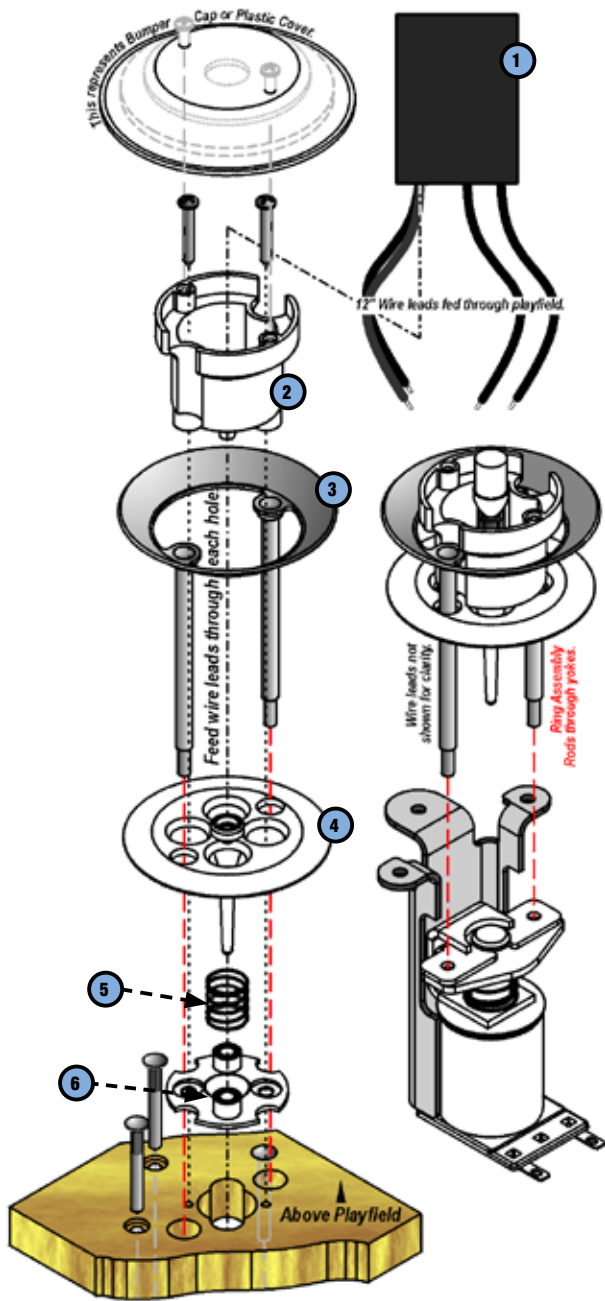
Figure 5.14.1. Right flipper assembly 500-6543-12-ND bottom view.

ID	Part Number	Description	Qty
1	515-6617-01	FLIPPER BASE PLATE LEFT KIT W/ BRACKET MOUNT HARDWARE	1
2	515-6308-01	COIL STOP BRACKET	1
3	180-5149-00	SWITCH - END OF STROKE N/C	1
4	090-5030-ND	COIL	1
5	269-5002-00	SPRING WASHER	1
6	535-7354-00	SWITCH RETURN SPRING BRACKET	1
7	265-5035-00	SPRING FLIPPER RETURN	1
8	535-7356-00	COIL SUPPORT BRACKET	1
9	545-5388-00	COIL SLEEVE, FLIPPER	1
10	545-5070-00	FLIPPER BAT BUSHING	1
11	545-5428-00	FLIPPER BUMPER PAD	1
12	237-6144-00	SET SCREW #10-32 x 3/4" SOCKET	2
13	515-7203-01	PLUNGER/CRANK ASSEMBLY, LEFT	1
14	515-5133-08-06	FLIPPER BAT AND SHAFT*	1
	500-6307-10	FLIPPER REBUILD KIT, LEFT	
		* Refer to game rubber chart for flipper rubber color and part number.	

ID	Part Number	Description	Qty
1	515-6617-00	FLIPPER BASE PLATE RIGHT KIT W/ BRACKET MOUNTING HARDWARE	1
2	515-6308-01	COIL STOP BRACKET	1
3	180-5149-00	SWITCH - END OF STROKE N/C	1
4	090-5030-ND	COIL	1
5	269-5002-00	SPRING WASHER	1
6	535-7354-00	SWITCH RETURN SPRING BRACKET	1
7	265-5035-00	SPRING FLIPPER RETURN	1
8	535-7356-00	COIL SUPPORT BRACKET	1
9	545-5388-00	COIL SLEEVE, FLIPPER	1
10	545-5070-00	FLIPPER BAT BUSHING	1
11	545-5428-00	FLIPPER BUMPER PAD	1
12	237-6144-00	SET SCREW #10-32 x 3/4" SOCKET	2
13	515-7203-00	PLUNGER/CRANK ASSEMBLY	1
14	515-5133-08-06	FLIPPER BAT AND SHAFT*	1
	500-6307-00	FLIPPER REBUILD KIT, RIGHT	
		* Refer to game rubber chart for flipper rubber color and part number.	

5.15 POP BUMPER ASSEMBLY

516-6784-XX



ID	Part Number	Description	Qty
1	520-5307-03	POP BUMPER LED MODULE	1
2	545-5197-00	BUMPER BODY	1
3	515-5085-00	RING AND ROD ASSY	1
4	545-5607-00	BUMPER SKIRT	1
5	266-5048-00	BUMPER SKIRT COMP SPRING	1
6	545-5195-00	BUMPER BASE	1

Part Number	Description	Qty
515-6459-01L	BUMPER/RING TOP ASSY, W/ LED 1	1
515-6459-04-ND	BUMPER BOTTOM ASSY, NO DIODE	1

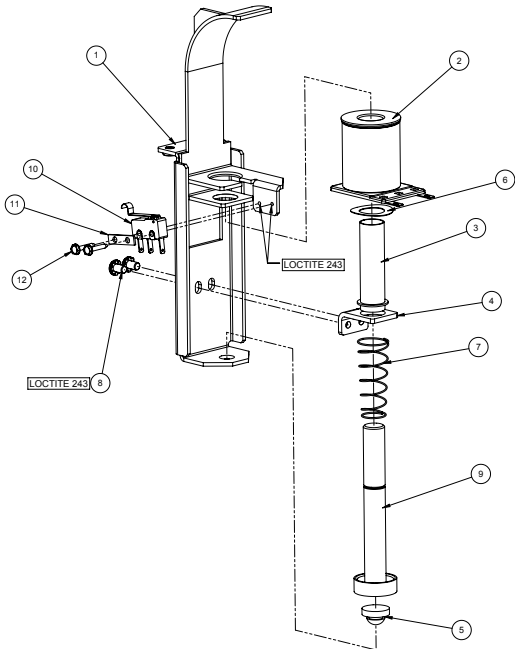
ID	Part Number	Description	Qty
7	500-9934-01	POP BUMPER SWITCH ASSY-2 - LUG-LEFT	1
8	240-5005-00	6-32 NYLON STOP NUT	3
9	090-5044-ND	COIL - 26-1200	1
10	237-5976-01	#6-32 X 1/4" SHWH SWAGE ZN	2
11	240-5005-00	#6-32 NYLON STOP NUT	2
12	535-7347-00	METAL YOKE STOP	1
13	234-5101-00	* 8 X 1/2 SLT	6
14	530-5348-00	PLUNGER, POP BUMPER	1
15	266-5047-00	COMPRESSION SPRING, POP BUMPER	1
16	545-5031-00	COIL SLEEVE	1
17	515-5939-00	COIL BRACKET POP BUMPER ASSY	1
18	545-5609-00	FIBER YOKE	1
19	535-7346-00	METAL YOKE	1
20	237-5957-00	#6-32 x 1-3/16" SPIRAL FIN SHANK SCREW	3



PARTS REFERENCE

5.16 EJECT VUK ASSEMBLY #1

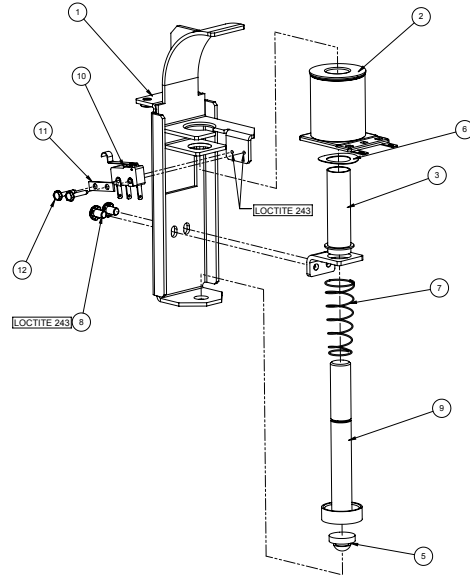
500-6846-03



ID	Part Number	Description	Qty
1	535-9637-03	BRACKET - EJECT	1
2	090-5004-ND	COIL 27-1500 - NO DIODE	1
3	545-5076-01	COIL SLEEVE	1
4	535-5203-03	COIL RETAINING BRACKET	1
5	545-5105-00	RUBBER BUMPER	1
6	269-5002-00	SPRING WASHER	1
7	266-5020-00	COMPRESSION SPRING-CONICAL	1
8	232-5300-00	SCREW, 8-32 X 1/4" PPH SEMS	2
9	515-7309-00	PLUNGER ASSEMBLY	1
10	180-5209-00	SUB MINIATURE SWITCH - SIM. ROLLER	1
11	535-6539-00	SWITCH BODY PROTECT PLATE	1
12	237-5937-02	SCREW, 2-56 X 1/2" HWH MS	2

5.17 EJECT VUK ASSEMBLY #2

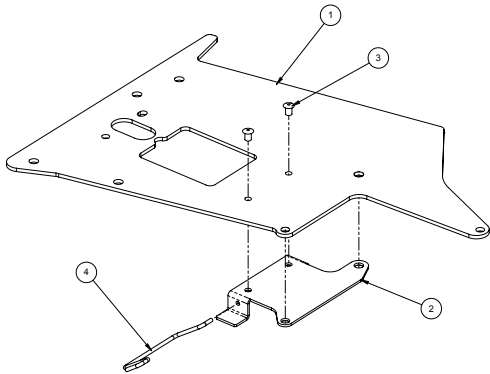
500-1050-00



ID	Part Number	Description	Qty
1	515-9984-00	BRACKET - EJECT	1
2	090-5004-ND	COIL 27-1500 - NO DIODE	1
3	545-5076-01	COIL SLEEVE	1
4	535-5203-03	COIL RETAINING BRACKET	1
5	545-5105-00	RUBBER BUMPER	1
6	269-5002-00	SPRING WASHER	1
7	266-5020-00	COMPRESSION SPRING-CONICAL	1
8	232-5300-00	SCREW, 8-32 X 1/4" PPH SEMS	2
9	515-7309-00	PLUNGER ASSEMBLY	1
10	180-5209-00	SUB MINIATURE SWITCH - SIM. ROLLER	1
11	535-6539-00	SWITCH BODY PROTECT PLATE	1
12	237-5937-02	SCREW, 2-56 X 1/2" HWH MS	2
13	036-5541-00	GENERIC COIL CABLE	1

5.18 RIVETED ASSEMBLY - BUTY 12 5.20 BUTY ASSEMBLY 02

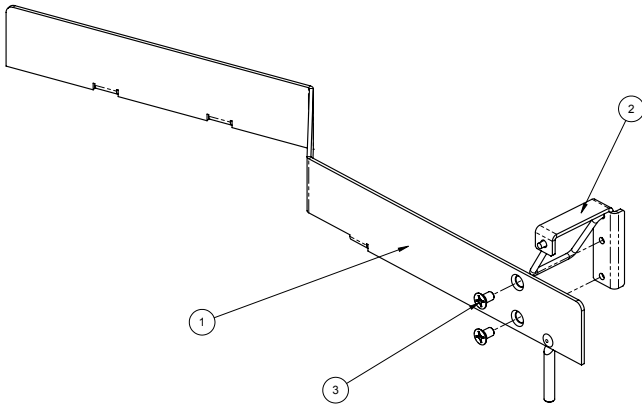
510-7550-12



ID	Part Number	Description	Qty
1	830-7046-12	BUTY # 12	1
2	535-1410-00	BRACKET - ONE WAY GATE	1
3	249-5001-00	RIVET - 1/8 X 3/16	2
4	535-1411-00	WIRE FORM - ONE WAY GATE	1

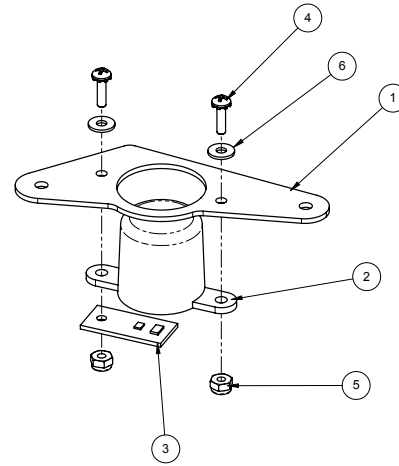
5.19 BALL GUIDE ASSEMBLY 04

511-7748-04



ID	Part Number	Description	Qty
1	535-1341-04	BALL GUIDE #4	1
2	511-7769-00	ONE WAY GATE ASSEMBLY	1
3	237-5871-01	SCREW, 6-32 X 1/4" PFH 82-DEG U/C ZINC	2

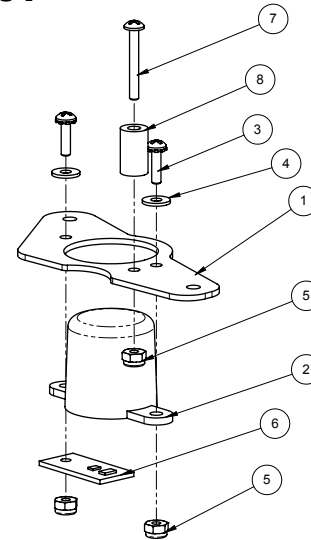
511-7749-02



ID	Part Number	Description	Qty
1	830-7046-02	BUTY # 02	1
2	550-5031-02	MINI MARS W/ EARS - RED SB	1
3	520-7000-00	SINGLE FLASH LED BOARD	1
4	232-5202-00	SCREW, 6-32 X 1/2" PPH MS SEMS	2
5	240-5005-00	6-32 NYLON STOP NUT	2
6	242-5001-00	#6 WASHER	2

5.21 BUTY ASSEMBLY 04

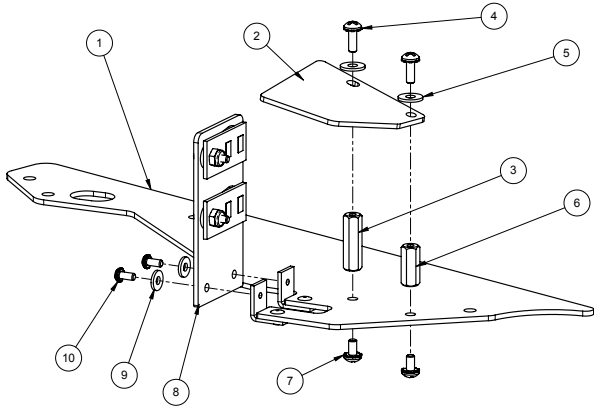
511-7749-04



ID	Part Number	Description	Qty
1	830-7046-04	BUTY # 04	1
2	550-5031-02	MINI MARS W/ EARS - RED SB	1
3	232-5202-00	SCREW, 6-32 X 1/2" PPH MS SEMS	2
4	242-5001-00	#6 WASHER	2
5	240-5005-00	6-32 NYLON STOP NUT	3
6	520-7000-00	SINGLE FLASH LED BOARD	1
7	237-5506-00	SCREW, 6-32 X 1" PPH MS	1
8	254-5000-14	NYLON SPACER - BLACK - 3/8 OD X .175 ID X 5/8"	1

5.22 BUTY ASSEMBLY 05

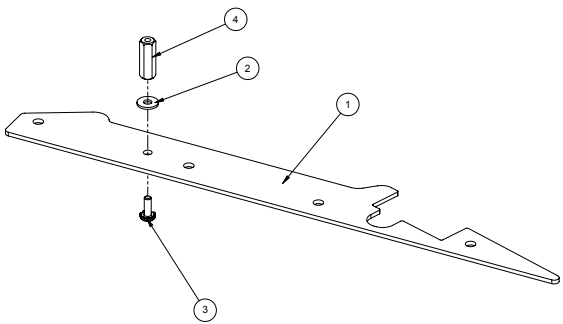
511-7749-05



ID	Part Number	Description	Qty
1	510-7550-05	RIVETED BUTY ASSEMBLY # 05	1
2	830-7046-36	BUTY # 36	1
3	254-5008-05	HEX SPACER - 7/8 "	1
4	232-5201-00	SCREW, 6-32 X 3/8" PPH MS SEMS	2
5	242-5001-00	#6 WASHER	2
6	254-5008-02	HEX SPACER - 5/8 "	1
7	232-5200-00	SCREW, 6-32 X 1/4" PPH SEMS	2
8	511-7749-35	BUTY ASSEMBLY # 35	1
9	242-5002-00	#4 FLAT WASHER - 5/16" O.D.	2
10	237-5909-00	SCREW, 4-40 X 1/4" PPH SEMS	2

5.23 BUTY ASSEMBLY 09

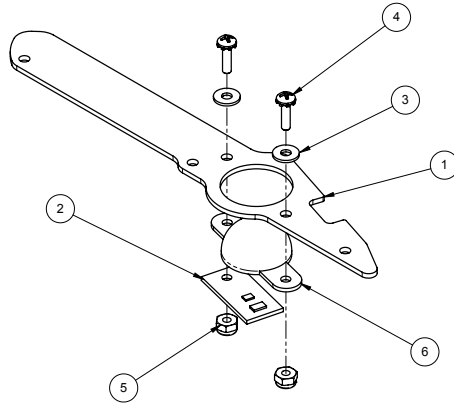
511-7749-09



ID	Part Number	Description	Qty
1	830-7046-09	BUTY # 09	1
2	242-5001-00	#6 WASHER	1
3	232-5201-00	SCREW, 6-32 X 3/8" PPH MS SEMS	1
4	254-5008-04	HEX SPACER - 3/4 "	1

5.24 BUTY ASSEMBLY 10

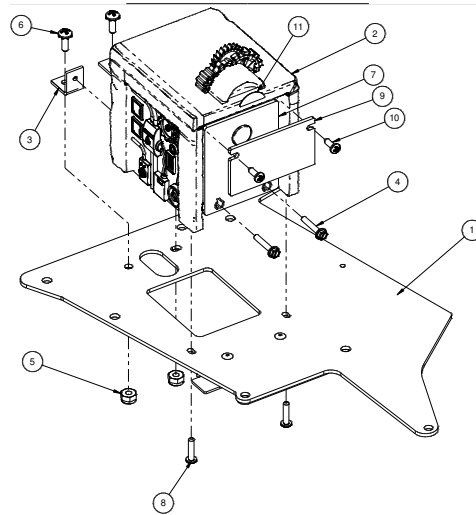
511-7749-10



ID	Part Number	Description	Qty
1	830-7046-10	BUTY # 10	1
2	520-7000-00	SINGLE FLASH LED BOARD	1
3	242-5001-00	#6 WASHER	2
4	232-5202-00	SCREW, 6-32 X 1/2" PPH MS SEMS	2
5	240-5005-00	6-32 NYLON STOP NUT	2
6	550-5032-03	HAT - AMBER SB	1

5.25 BUTY ASSEMBLY 12

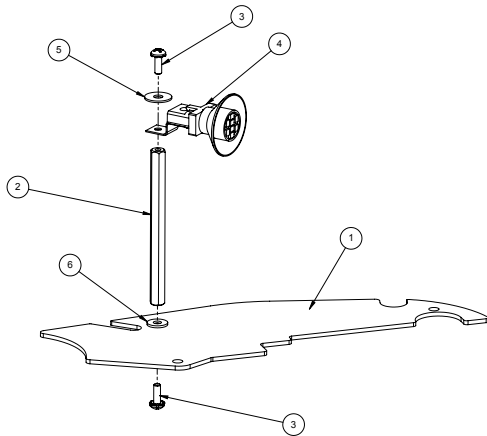
511-7749-12



ID	Part Number	Description	Qty
1	510-7550-12	RIVETED ASSEMBLY - BUTY # 12	1
2	880-6194-00	ELEVATOR HOUSING	1
3	535-1305-00	BRACKET - PLASTIC MTG	2
4	237-5945-00	SCREW, 4-40 X 5/8" HWH	2
5	240-5005-00	6-32 NYLON STOP NUT	2
6	232-5201-00	SCREW, 6-32 X 3/8" PPH MS SEMS	2
7	511-7749-41	BUTY ASSEMBLY # 41	1
8	237-6304-00	SCREW, #4 X 1/2" PPH T-25	2
9	830-7046-42	BUTY # 42	1
10	237-5815-00	SCREW, #4 X 3/8" PPH AB	2
11	820-7390-27	DECAL # 27	1

5.26 BUTY ASSEMBLY 14

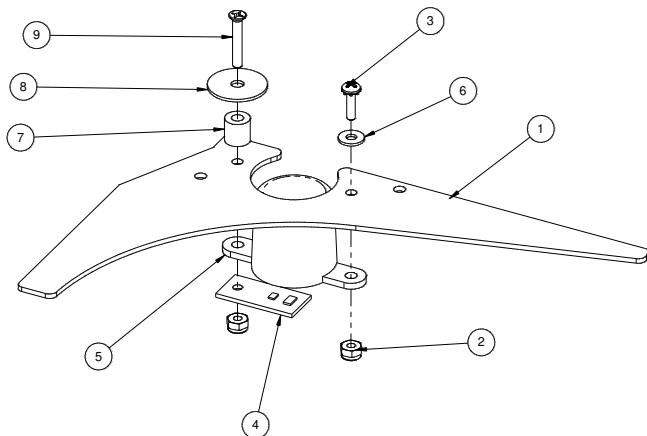
511-7749-14



ID	Part Number	Description	Qty
1	830-7046-14	BUTY # 14	1
2	254-5008-14	HEX SPACER - 3"	1
3	232-5201-00	SCREW, 6-32 X 3/8" PPH MS SEMS	2
4	511-5240-08	SPOTLIGHT - LED FLASHER - WHITE	1
5	242-5015-00	#8 WASHER - .170 ID X 1/2 OD X .042	1
6	242-5001-00	#6 WASHER	1

5.27 BUTY ASSEMBLY 30

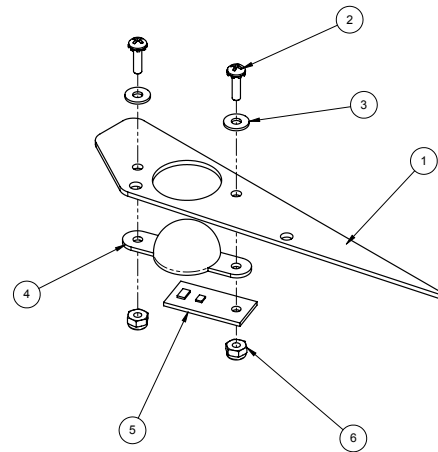
511-7749-30



ID	Part Number	Description	Qty
1	830-7046-30	BUTY # 30	1
2	240-5005-00	6-32 NYLON STOP NUT	2
3	232-5202-00	SCREW, 6-32 X 1/2" PPH MS SEMS	1
4	520-7000-00	SINGLE FLASH LED BOARD	1
5	550-5031-06	MINI MARS W/ EARS - YELLOW SB	1
6	242-5001-00	#6 WASHER	1
7	254-5000-12	NYLON SPACER - BLACK - 3/8 OD X .175 ID X 3/8"	1
8	242-5059-00	3/16 I.D. X 7/8 O.D. X .045 WASHER	1
9	237-6021-00	SCREW, 6-32 X 7/8" PFH ZINC	1

5.28 BUTY ASSEMBLY 32

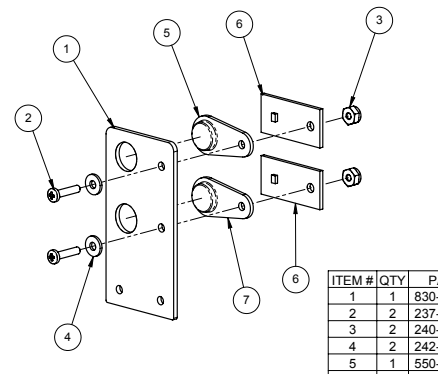
511-7749-32



ID	Part Number	Description	Qty
1	830-7046-32	BUTY # 32	1
2	232-5202-00	SCREW, 6-32 X 1/2" PPH MS SEMS	2
3	242-5001-00	#6 WASHER	2
4	550-5032-03	HAT - AMBER SB	1
5	520-7000-00	SINGLE FLASH LED BOARD	1
6	240-5005-00	6-32 NYLON STOP NUT	2

5.29 BUTY ASSEMBLY 35

511-7749-35



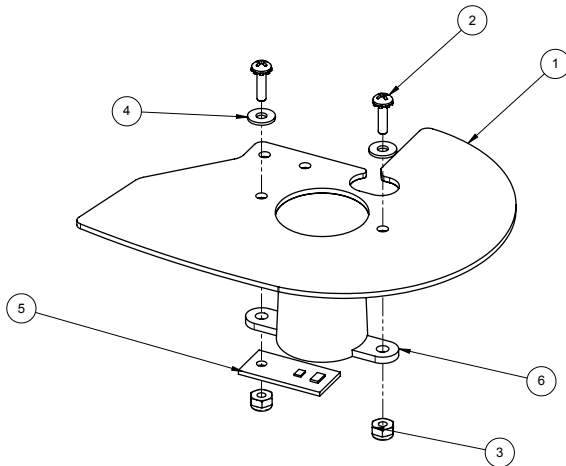
ITEM #	QTY	PA
1	1	830-
2	2	237-
3	2	240-
4	2	242-
5	1	550-

ID	Part Number	Description	Qty
1	830-7046-35	BUTY # 35	1
2	237-5816-00	SCREW, 4-40 X 1/2" PPH	2
3	240-5303-00	4-40 NYLON LOCK NUT	2
4	242-5002-00	#4 FLAT WASHER - 5/16" O.D.	2
5	550-7361-06	MINI DOME-LED, YELLOW	1
6	520-5307-00	SINGLE LED PCB	2
7	550-7361-05	MINI DOME-LED, BLUE	1



5.30 BUTY ASSEMBLY 40

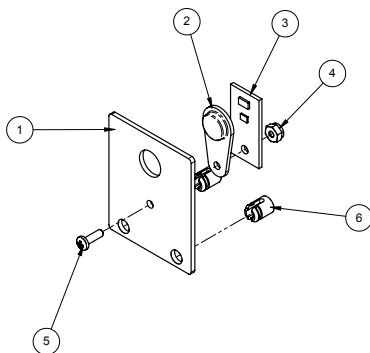
511-7749-40



ID	Part Number	Description	Qty
1	830-7046-40	BUTY # 40	1
2	232-5202-00	SCREW, 6-32 X 1/2" PPH MS SEMS	2
3	240-5005-00	6-32 NYLON STOP NUT	2
4	242-5001-00	#6 WASHER	2
5	520-7000-00	SINGLE FLASH LED BOARD	1
6	550-5031-06	MINI MARS W/ EARS - YELLOW SB	1

5.31 BUTY ASSEMBLY 41

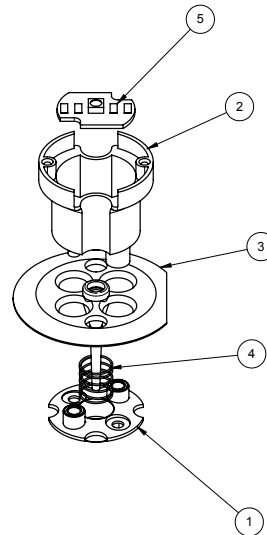
511-7749-41



ID	Part Number	Description	Qty
1	830-7046-41	BUTY # 41	1
2	550-7361-09	MINI DOME-LED, PURPLE	1
3	520-7000-00	SINGLE FLASH LED BOARD	1
4	240-5303-00	4-40 NYLON LOCK NUT	1
5	237-6169-00	SCREW, 4-40 X 3/8" PPH MS BLACK	1
6	254-5007-02	1/4" SELF RETAINING SPACER	2

5.32 POP BUMPER TOP ASSEMBLY

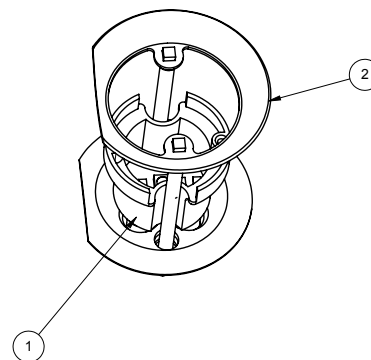
511-7765-00



ID	Part Number	Description	Qty
1	545-5195-00	BUMPER BASE	1
2	545-5197-00	BUMPER BODY	1
3	545-5607-04	BUMPER SKIRT - TRIMMED	1
4	266-5048-00	COMPRESSION SPRING, POP BUMPER BODY	1
5	511-7670-00	POP BUMPER LED PCB W/ WIRES	1

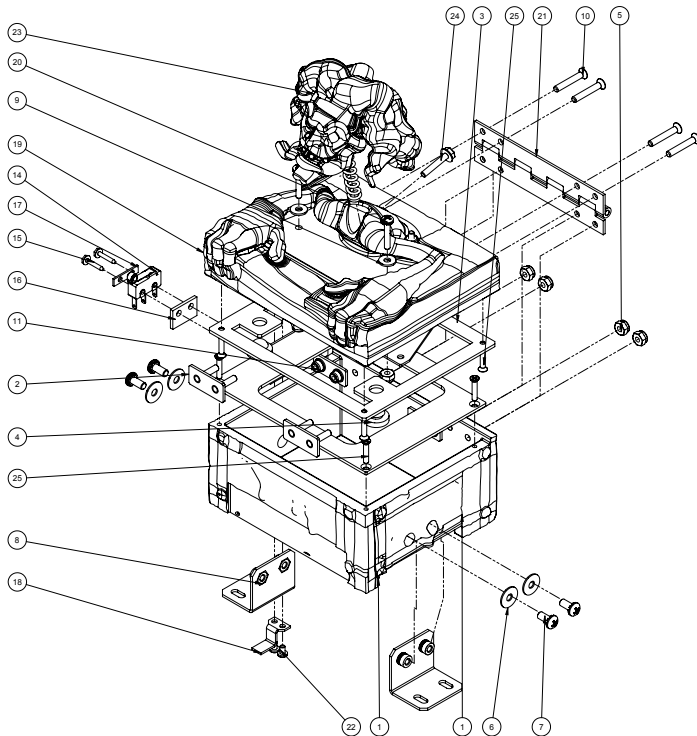
5.33 BUMPER RING TOP ASSEMBLY

515-9900-00



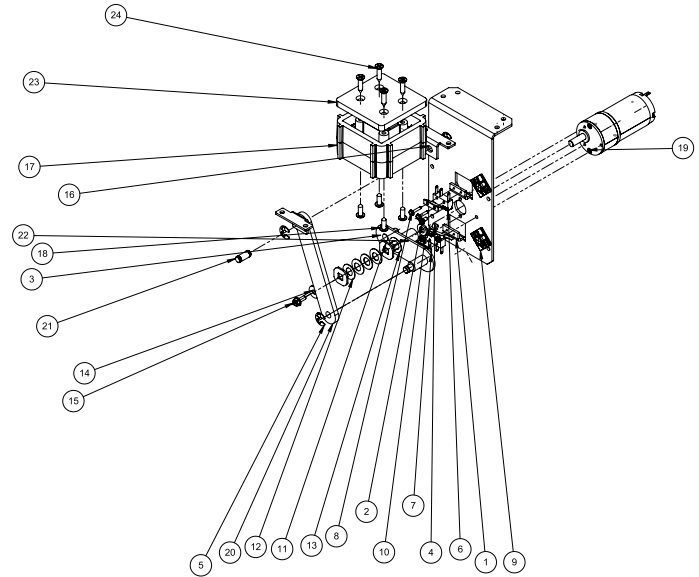
ID	Part Number	Description	Qty
1	511-7765-00	POP BUMPER TOP ASSY W/ LED - RGB - TRIMMED	1
2	515-5085-01	RING ASSEMBLY - TRIMMED	1

5.34 TOY BOX PLATE ASSEMBLY 511-7770-00



ID	Part Number	Description	Qty
1	880-6191-01	TOY BOX	1
2	535-1401-00	PEM STUD PLATE	2
3	515-9964-00	TOY BOX CLEVIS PLATE	1
4	545-5105-00	RUBBER BUMPER	2
5	240-5005-00	6-32 NYLON STOP NUT	8
6	242-5015-00	#8 WASHER - .170 ID X 1/2 OD X .042	4
7	232-5301-00	SCREW, 8-32 X 3/8" PPH SEMS	4
8	535-1422-00	TOY BOX MOUNTING ANGLE	2
9	242-5001-00	#6 WASHER	4
10	237-6021-00	SCREW, 6-32 X 7/8" PFH ZINC	4
11	535-1423-00	PEM INSERT NUT PLATE	2
12	535-1375-00	TOYBOX BOX COVER	1
13	515-9901-00	TOY BOX COVER SUPPORT	1
14	180-5119-02	MICRO-SWITCH - LIGHT ACTUATION	1
15	237-5937-02	SCREW, 2-56 X 1/2" HWH MS	2
16	830-6117-00	SWITCH SPACER	1
17	535-6539-00	SWITCH BODY PROTECT PLATE	1
18	535-1376-00	TOYBOX SWITCH ACTUATOR	1
19	880-6192-01	TOY BOX LID	1
20	232-5204-00	SCREW, 6-32 X 3/4" PPH SEMS	4
21	390-5044-03	4" LEAF HINGE	1
22	237-5912-00	SCREW, 4-40 X 3/16" PPH MS	2
23	515-9965-00	JESTER HEAD ASSEMBLY	1
24	237-5975-02	8-32 X 3/4 HWH SWAGE	1
25	237-5833-00	SCREW, #4 X 5/8" PFH - BLACK	8

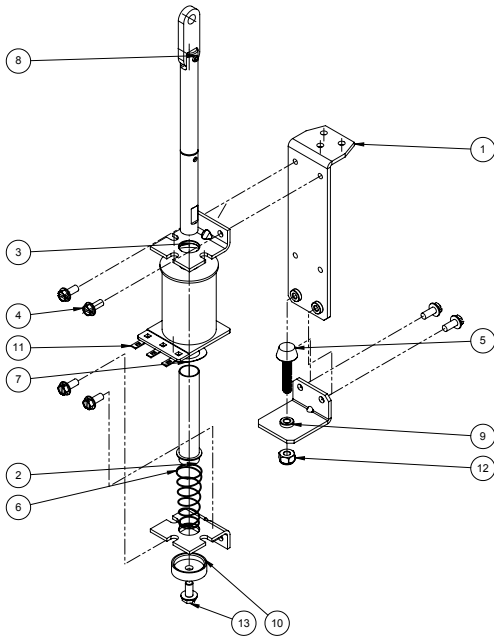
5.35 ARK SLIDER-CRANK ASSEMBLY 511-7771-00



ID	Part Number	Description	Qty
1	535-0143-01	MOTOR MOUNT BRKT	1
2	237-6188-01	SCREW, M3x0.5 X 6MM PPH SEMS ZINC	3
3	515-7678-01	CRANK ARM, TOY SLIDER	1
4	237-6317-00	10-32 X 3/16 SS CUP POINT SET SCREW	1
5	270-5002-00	RETAINING RING - 1/4"	3
6	180-5010-04	MICRO-SWITCH	2
7	535-6539-00	SWITCH BODY PROTECT PLATE	2
8	237-5937-02	SCREW, 2-56 X 1/2" HWH MS	4
9	040-5002-00	MOUNTING PAD	2
10	242-5072-01	NYLON WASHER .252 ID X .472 OD	1
11	535-0612-00	DRIVE PLATE	2
12	269-5007-00	BELLEVILLE DISC SPRING	4
13	242-5608-02	.005 SHIM WASHER	1
14	242-5015-00	#8 WASHER - .170 ID X 1/2 OD X .042	1
15	237-5903-00	SCREW, 8-32 X 3/8" HWH	1
16	535-1404-00	CLEVIS BRACKET	2
17	550-7378-00	TOY BOX ELEVATOR GUIDE	1
18	232-5100-00	#8 X 1/2" PPH ZINC WOOD SCREW	4
19	041-5132-01	DC GEARHEAD MOTOR, 24 VDC 10 RPM	1
20	545-9900-10	DRIVE LINKAGE-ACETAL	1
21	530-7865-06	PIVOT PIN-.250" DIA.	1
22	530-7808-03	HUB - CLUTCH DRIVE	1
23	545-9903-00	TOY BOX ELEVATOR RAMP	1
24	237-5822-00	SCREW, #8 X 3/4 PFH AB	4

5.36 TOY BOX UP KICKER ASSEMBLY

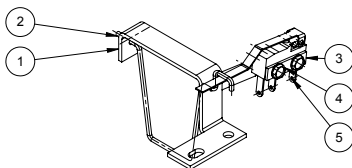
511-7772-00



ID	Part Number	Description	Qty
1	535-1372-00	FLIPPER COIL-SOLENOID UK BRACKET	1
2	545-5847-00	COIL SLEEVE 1	1
3	535-7356-00	COIL BRACKET 2	2
4	237-5975-00	SCREW, 8-32 X 3/8" HWH SWAGE ZN	6
5	280-5014-00	ADJUSTABLE BUMPER/STOP	1
6	266-5020-00	COMPRESSION SPRING-CONICAL	1
7	269-5002-00	SPRING WASHER	1
8	511-7773-00	PLUNGER ASSEMBLY-PULL DOWN	1
9	535-8303-00	ADJUSTMENT BRACKET, UP POST	1
10	530-5511-01	SHAFT HEAD	1
11	090-5083-06-ND	COIL - 23-620/30-3900 - NO DIODE	1
12	240-5203-00	10-32 NYLON LOCK NUT	1
13	237-5985-00	SCREW, 10-32 X 3/8" HWH SWAGE	1

5.37 GATE ASSEMBLY

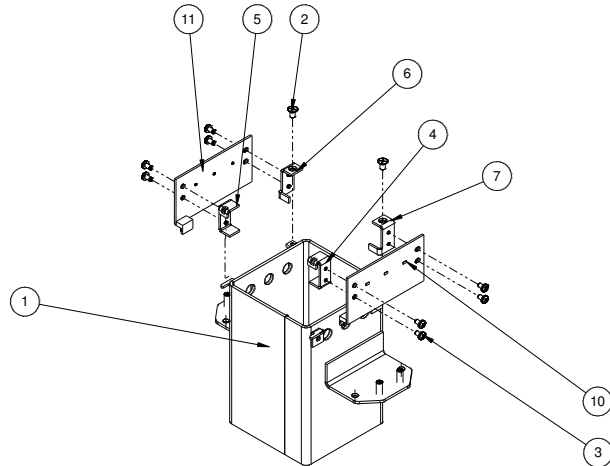
500-9936-XX



ID	Part Number	Description	Qty
1	535-7756-XX	BRACKET - GATE	1
2	535-7755-XX	WIRE FORM	1
3	535-6539-00	SWITCH BODY PROTECT PLATE	1
4	237-5937-02	SCREW, 2-56 X 1/2" HWH MS	2
5	180-5087-00	SWITCH - GATE	1

5.38 TOY BOX TUBE ASSEMBLY

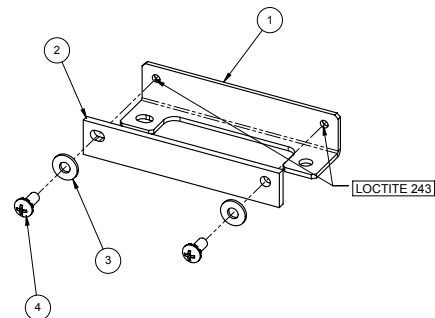
511-7776-00



ID	Part Number	Description	Qty
1	515-9898-01	ELEVATOR TUBE WELDMENT	1
2	237-5871-01	SCREW, 6-32 X 1/4" PFH 82-DEG U/C ZINC	2
3	237-5912-00	237-5912-00 SCREW, 4-40 X 3/16" PPH MS 8	8
4	535-1565-01	SWITCH L SUPPORT	1
5	535-1565-00	SWITCH L SUPPORT	1
6	535-1405-00	SWITCH L SUPPORT	1
7	535-1405-01	SWITCH L SUPPORT	1
8	036-6266-15-15	TOY OPTO EMITTER CABLE	1
9	036-6266-16-15	TOY OPTO RECEIVER CABLE	1
10	520-7037-01	3 OPTO BOARD-RECEIVER	1
11	520-7036-01	3 OPTO BOARD-EMITTER	1

5.39 TOY BOX BUMPER ASSEMBLY

511-7782-00

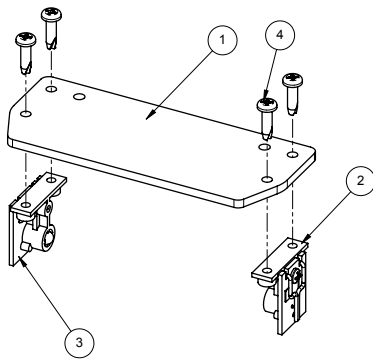


ID	Part Number	Description	Qty
1	535-1413-00	BRACKET - TOY BOX BUMPER	1
2	626-5108-00	RUBBER BUMPER - TOY BOX	1
3	242-5005-00	#8 WASHER	2
4	232-5301-00	SCREW, 8-32 X 3/8" PPH SEMS	2



5.40 TOY BOX FRONT PLATE ASSEMBLY

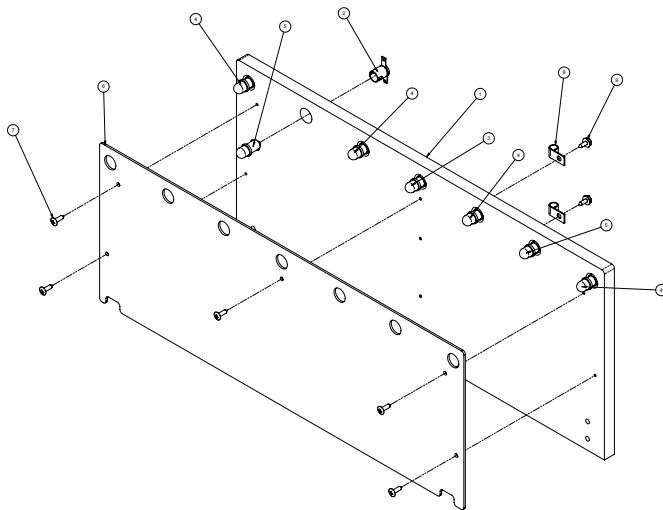
511-7766-00



ID	Part Number	Description	Qty
1	545-9905-00	FRONT PLATE	1
2	515-0215-00	LONG RANGE OPTO EMITTER ASSEMBLY	1
3	515-0215-01	LONG RANGE OPTO RECEIVER ASSEMBLY	1
4	237-5880-02	SCREW, #6 X 1/2 PPH T-25	4

5.41 BACK PANEL ASSEMBLY

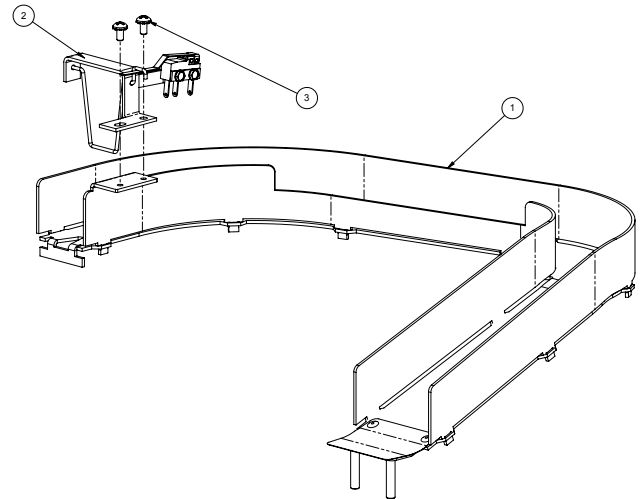
500-9990-00



ID	Part Number	Description	Qty
1	525-6007-00	BACK PANEL	1
2	077-5000-00	SOCKET - STAPLED - 2 LUGS	7
3	112-5034-02	DOUBLE LED, BAYONET BASE - RED	1
4	112-5034-08	DOUBLE LED, BAYONET BASE - CLEAR	4
5	112-5034-05	DOUBLE LED, BAYONET BASE - BLUE	2
6	830-7046-21	BUTY # 21 - BACK PANEL	1
7	237-5809-00	SCREW, #6 X 1/2" PTH A	5
8	040-5000-03	1/4" CABLE CLAMP	2
9	234-5000-00	SCREW, #6 X 3/8" HWH	2

5.42 LEFT RAMP ASSEMBLY

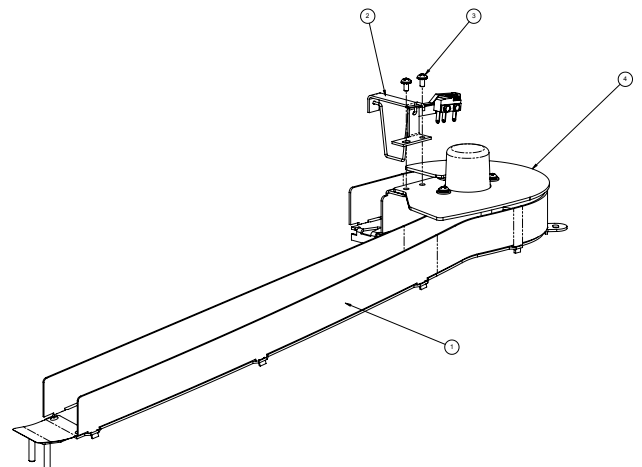
500-9991-00



ID	Part Number	Description	Qty
1	510-7551-00	RIVETED ASSEMBLY - LEFT RAMP	1
2	500-9936-04	GATE ASSEMBLY	1
3	232-5200-00	SCREW, 6-32 X 1/4" PPH SEMS	2

5.43 RIGHT RAMP ASSEMBLY

500-9992-00



ID	Part Number	Description	Qty
1	510-7552-00	RIVETED ASSEMBLY - RIGHT RAMP	1
2	500-9936-04	GATE ASSEMBLY	1
3	232-5200-00	SCREW, 6-32 X 1/4" PPH SEMS	2
4	511-7749-40	BUTY ASSEMBLY # 40	1

6. SPECIFICATIONS

500-5515-01

SPECIFICATIONS, MECHANICAL, GAME SETUP

Specification	Imperial	Metric
Weight	210 lbs	96 kg
Max dimensions, leg levers extended (h, w, d)	78 x 27.75 x 57 in	198 x 70.5 x 145 cm
Minimum game dimensions (h, w, d)	76 x 27.75 x 57 in	193 x 70.5 x 145 cm
Minimum room dimensions per game (h, w, d)	80 x 36 x 84 in	203 x 91 cm x 214 cm

• (h, w, d) = height, width, depth.

SPECIFICATIONS, MECHANICAL, BOXED

Specification	Imperial	Metric
Weight, boxed (without pallet)	230 lbs	105 kg
Box dimensions (h, w, d)	56.5 x 31 x 31 in	144 x 79 x 79 cm
Minimum dimensions (h, w, d)	76 x 26 x 57 in	193 x 66 x 145 cm

• (h, w, d) = height, width, depth.

SPECIFICATIONS, ELECTRICAL

Specification	North America - 120VAC	International - 240VAC
Line Voltage, Nominal	120 VAC	240 VAC
Line Voltage Range	90 VAC - 250 VAC	90 VAC - 250 VAC
Line Frequency *	60 Hz	50 Hz, 60 Hz
Line Power, Current - attract mode	70 W, 0.6 A @ 120 VAC	70 W, 0.3 A @ 240 VAC
Line Power, Current - nominal	360 W, 3 A @ 120 VAC	360 W, 1.5 A @ 240 VAC
Line Power, Current - peak, <100 ms	540 W, 4.5 A @ 120 VAC	540 W, 2.25 A @ 240 VAC

* NOTE: Games designed for 60hz operation (e.g. North America games) will not function correctly on 50hz power and vice versa.

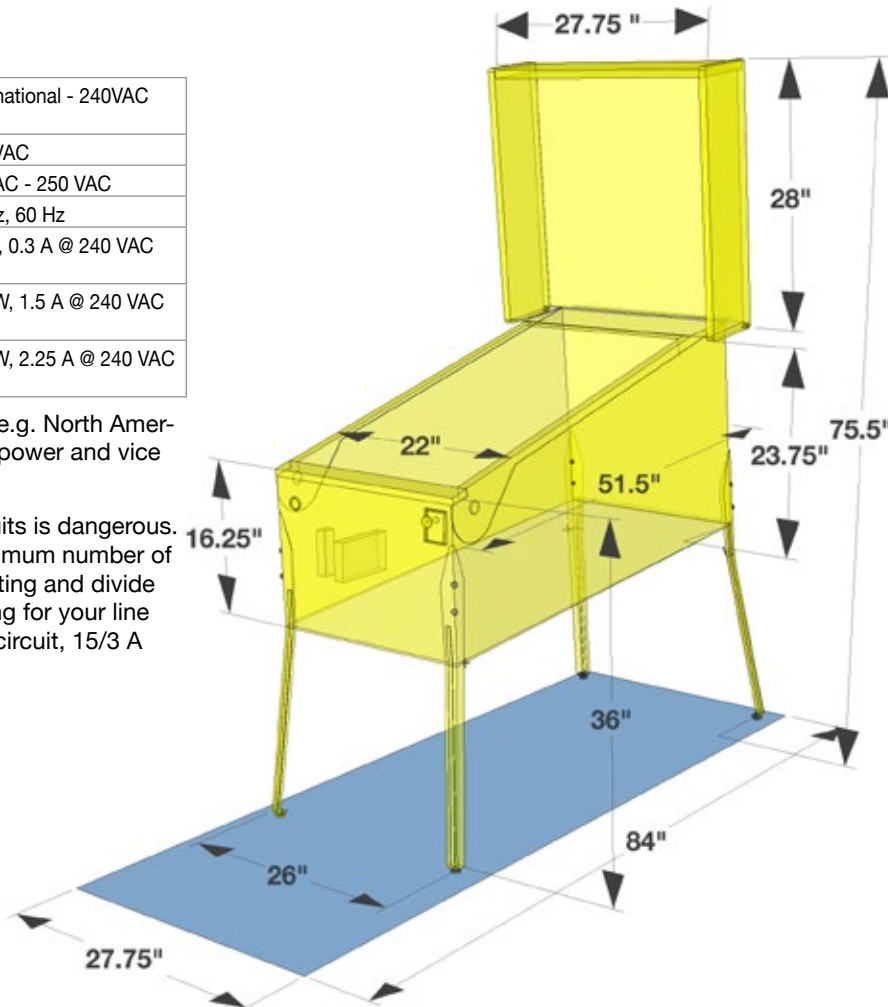
WARNING: Overloading electrical supply circuits is dangerous. Do not overload circuits. To calculate the maximum number of games for a circuit, check circuit amperage rating and divide by the game Nominal Line Power Current rating for your line voltage. For example, a 15A 120V household circuit, 15/3 A (nominal current) = 5 games maximum.

SPECIFICATIONS, ENVIRONMENT

	Minimum	Maximum
Temperature, Operating	32 °F / 0 °C	104°F / 40 °C
Temperature, Storage	32 °F / 0 °C	104°F / 40 °C
Relative Humidity, Operating	5%	95% non-condensing
Relative Humidity, Storage	5%	95% non-condensing

- (a) "The appliance has to be placed in a horizontal position."
- (b) "This appliance is not to be cleaned by a Water Jet."
- (i) "Do not locate this appliance in an area where a Water Jet is used."
- (ii) "Do not clean this appliance with a Water Jet."
- (b) If the supply cord is damaged, it must be replaced in order to avoid a hazard.

6.1 GAME DIMENSIONS



6.2 WARRANTY

500-5515-01

Stern Pinball machines are assembled in Elk Grove Village, Illinois, USA; each pinball machine has unique characteristics that make it a one-of-a-kind American-made product. Each machine will have variations in appearance resulting from differences in the machine's particular wood parts, individual silk screened art and mechanical assemblies. Stern Pinball has inspected each game element to insure it meets stringent quality and playability standards.

STERN PINBALL INC LIMITED WARRANTY

Stern Pinball Inc ("SELLER") warrants only to the initial purchaser of its products that the items listed below are free from defects in material and workmanship under normal use and service for the warranty period specified:

- Printed circuit boards (game logic): 2 months
- Dot Matrix Display boards: 9 months

No other parts of seller's product are warranted.

Warranty periods are effective from the initial date of shipment from seller to its authorized distributors.

Seller's sole liability shall be, at its option, to repair or replace products which are returned to seller during the warranty periods specified, provided:

1. Seller is notified promptly upon discovery by purchaser that stated products are defective.
2. Such products are properly packaged and then returned freight prepaid, to seller's plant.

This warranty does not apply to any parts damaged during shipment and/or due to improper handling, or due to improper installation or usage, or alteration. In no event shall the seller be liable for any anticipated profits, loss of profits, loss of use, accidental or consequential damages, or any other losses incurred by the customer in connection with the purchase of a Stern Pinball Inc Product.

WARRANTY DISCLAIMER

Except as specifically provided in a written contract between seller and purchaser, there are no other warranties, express or implied, including any implied warranties of merchantability or fitness for a particular purpose.

This Game Service Manual and all other documents relating to this product, playfield components, features, rules, programming, and operation are subject to change without notice (Service Bulletins, if applicable, available through official Stern Pinball website).

6.3 WARNINGS, COMPLIANCE, AND LEGAL NOTICES

PHOTOSENSITIVE SEIZURES HEALTH WARNING



A very small percentage of people may experience a seizure when exposed to certain visual images, including flashing lights or patterns. Even people with no history of seizures of epilepsy may have an undiagnosed condition that can cause "photosensitive epileptic seizures" due to certain visual images, flashing lights or patterns. Symptoms can include light-headedness, altered vision, eye or face twitching, jerking or shaking of arms or legs, disorientation, confusion, momentary loss of awareness, and loss of consciousness or convulsions that can lead to injury from falling down or striking nearby objects.

IMMEDIATELY STOP PLAYING AND CONSULT A DOCTOR IF YOU EXPERIENCE ANY OF THESE SYMPTOMS.

PARTS SUBSTITUTIONS



For safety and reliability, substitute parts and equipment modifications are not recommended and may void any and all warranties. Use of Non-Stern Pinball Inc Parts or Modifications of game circuitry may adversely affect game play or game safety. Transport pinball machines with hinged backbox in the down position only! Always take great care when servicing any game. Always read the service manual before replacing or servicing components. Substitutions of parts or equipment modifications may void FCC type acceptance.

Always disconnect the line voltage before servicing. Some parts may remain energized when unplugged. Take great caution when servicing any electrical components.

FCC CLASS A SUBPART J COMPLIANCE



This equipment has been tested and found to comply with the limits for a Class A digital device, pursuant to part 15 of the FCC Rules. These limits are designed to provide reasonable protection against harmful interference when the equipment is operated in a commercial environment. This equipment generates, uses, and can radiate radio frequency energy and, if not installed and used in accordance with the instruction manual, may cause harmful interference to radio communications. Operation of this equipment in a residential area is likely to cause harmful interference in which case the user will be required to correct the interference at his own expense.

RF INTERFERENCE NOTICE

The cable harness placements, ground strap routing, and other shielding have been designed to keep RF radiation and conduction within levels accepted by FCC rules. To maintain these levels, factory harness position, shielding, and ground straps must be installed in their factory locations should they become disconnected during maintenance.

COPYRIGHT AND INTELLECTUAL PROPERTY NOTICE

This document and the data disclosed herein or herewith is not to be reproduced (Except where noted), used, or otherwise disclosed in whole or in part to anyone without written consent of Stern Pinball Inc.

Products in this manual, the company name and devices and the design of the manual itself are protected by federal patents (and patents pending), design registrations, trademarks, and copyrights. Action will be taken in the event of infringement or imitation. The right is reserved to change specifications without prior notice.





Stern pinball®



1-800-KICKERS
PARTS.SERVICE@STERNPINBALL.COM
WWW.STERNPINBALL.COM
FACEBOOK.COM/STERNPINBALL

AEROSMITH PRO #500-5515-01
MANUAL #780-5015-00

