

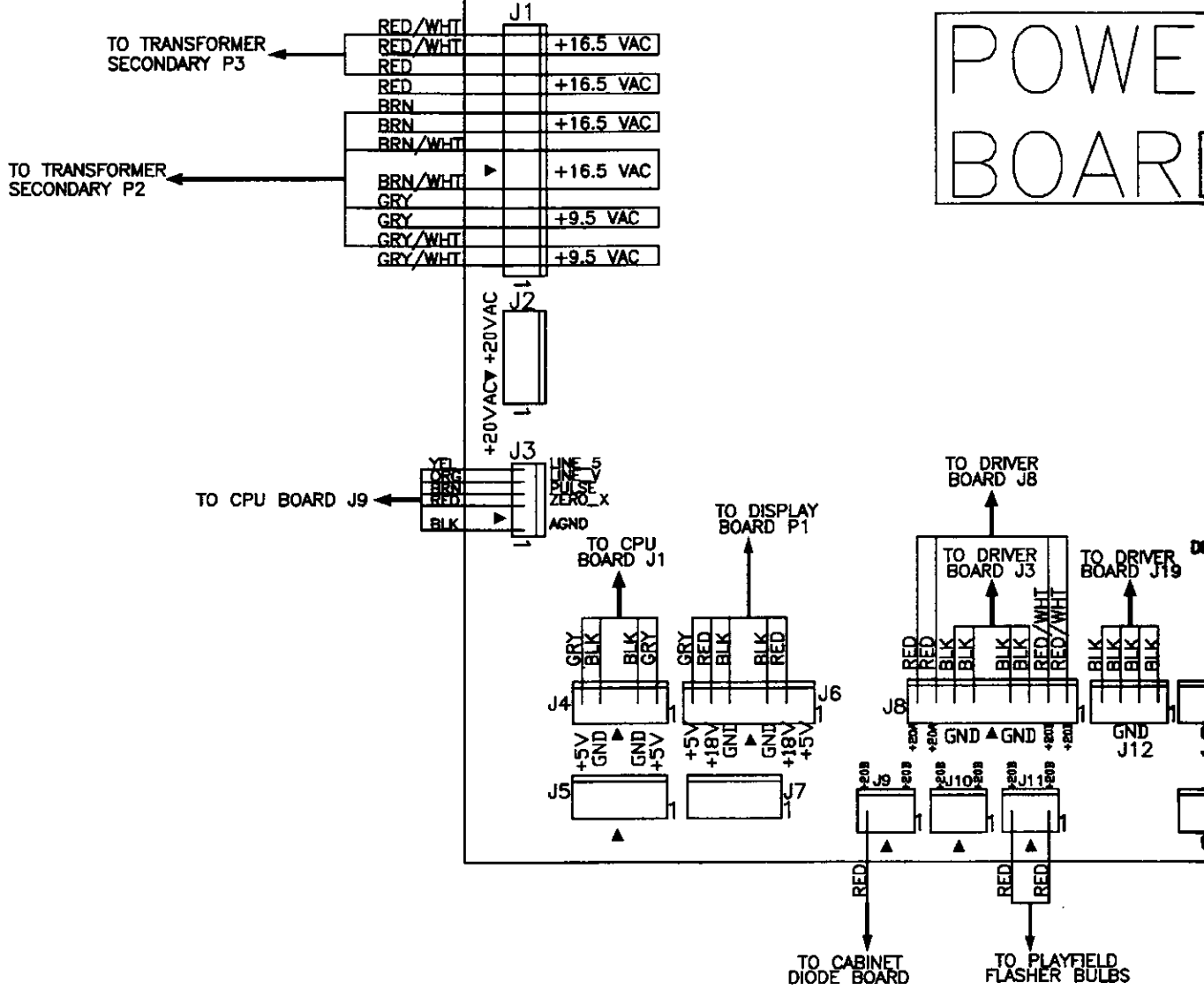
This document has been downloaded from:

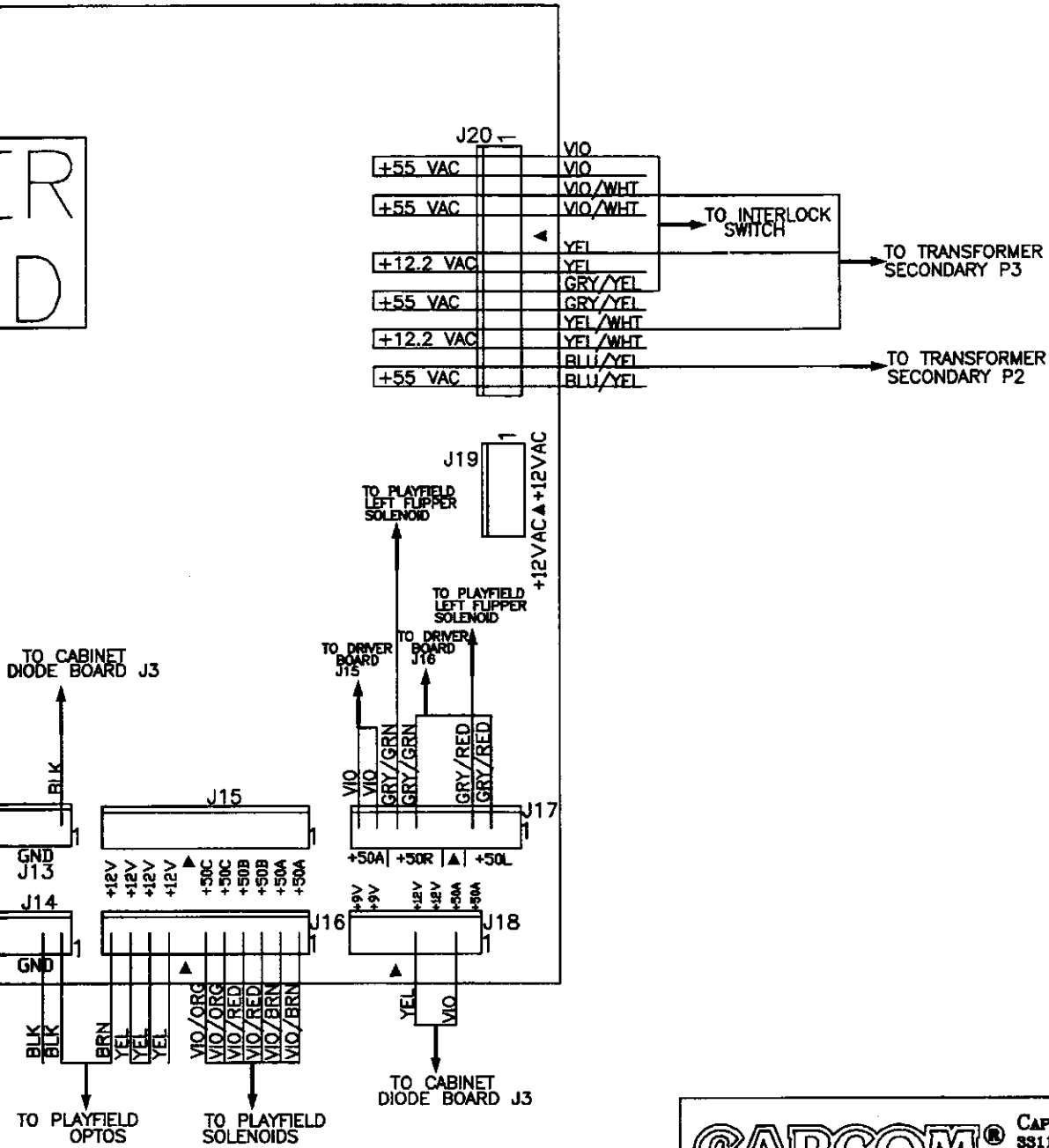


SECTION 7

WIRING SCHEMATICS

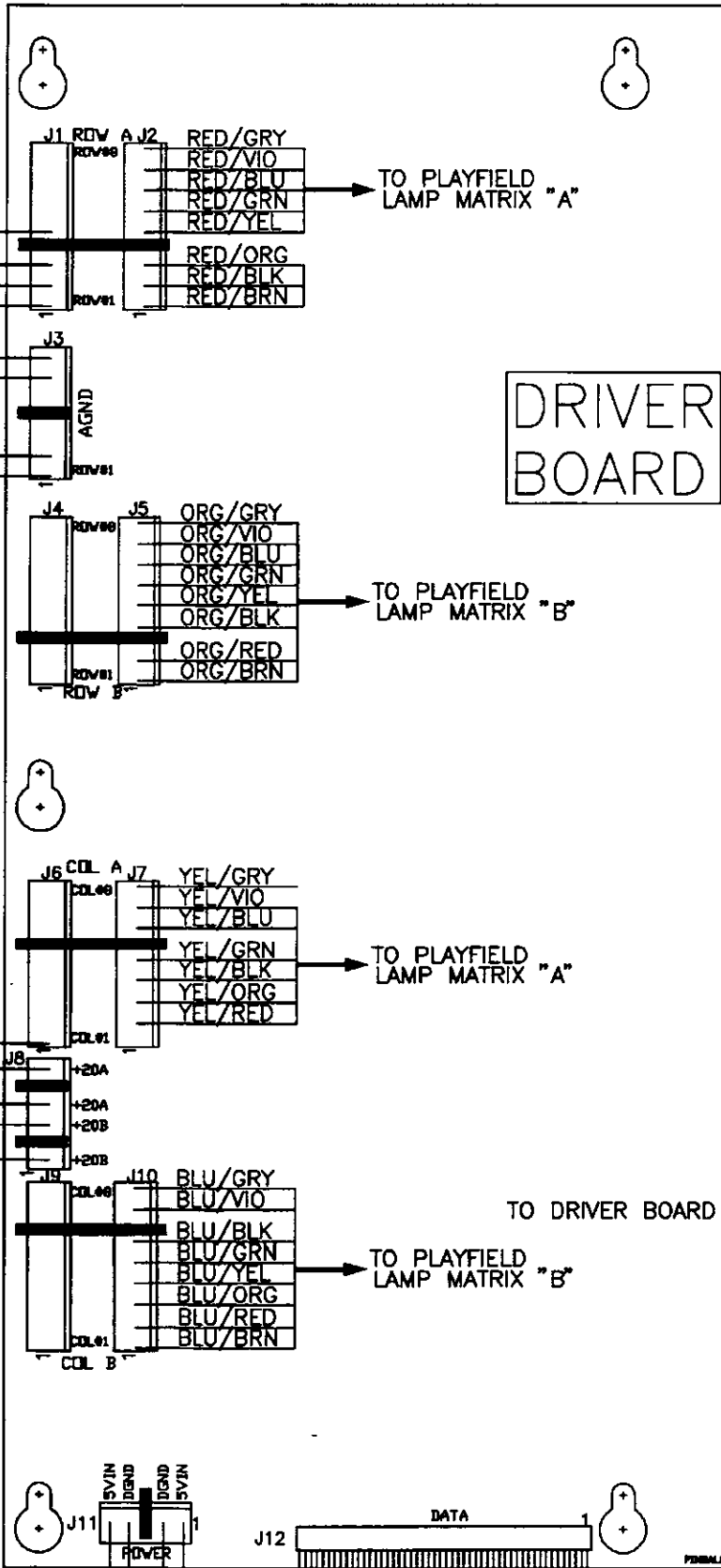
POWER BOARD



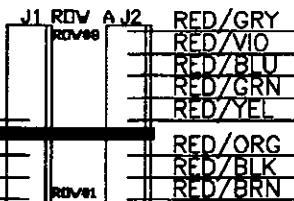
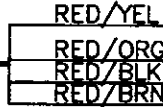


CAPCOM® COIN-OP, INC.
 3311 NORTH KENNICOTT AVENUE
 ARLINGTON HEIGHTS, ILLINOIS 80004
 PHONE (847) 797-6100
 FAX (847) 797-6119

TITLE			
DIAGRAM, POWER BOARD WIRING			
PART NO.		DRAWN	
PB-11 WIRING		B.ZIEGLER	
DATE	SHEET	ECN NO:	REV.
6/7/96	1 OF 12		

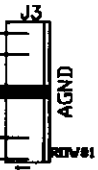
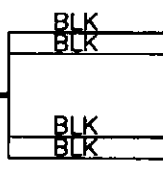


TO CABINET
DIODE BOARD
J1



TO PLAYFIELD
LAMP MATRIX "A"

TO POWER
BOARD J8

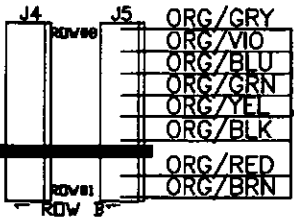


TO POWER BOARD J16
TO DRIVER BOARD J16



DRIVER BOARD

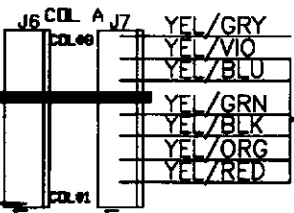
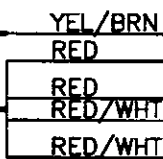
TO PLAYFIELD
LAMP MATRIX "B"



TO POWER BOARD J12



TO CABINET
LAMP MATRIX "A"



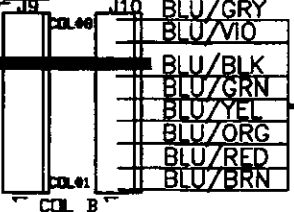
TO PLAYFIELD
LAMP MATRIX "A"

TO POWER BOARD J8

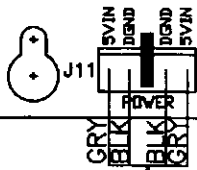


TO DRIVER BOARD J22

TO PLAYFIELD
LAMP MATRIX "B"



VIO/ORG 50
VIO/ORG 50

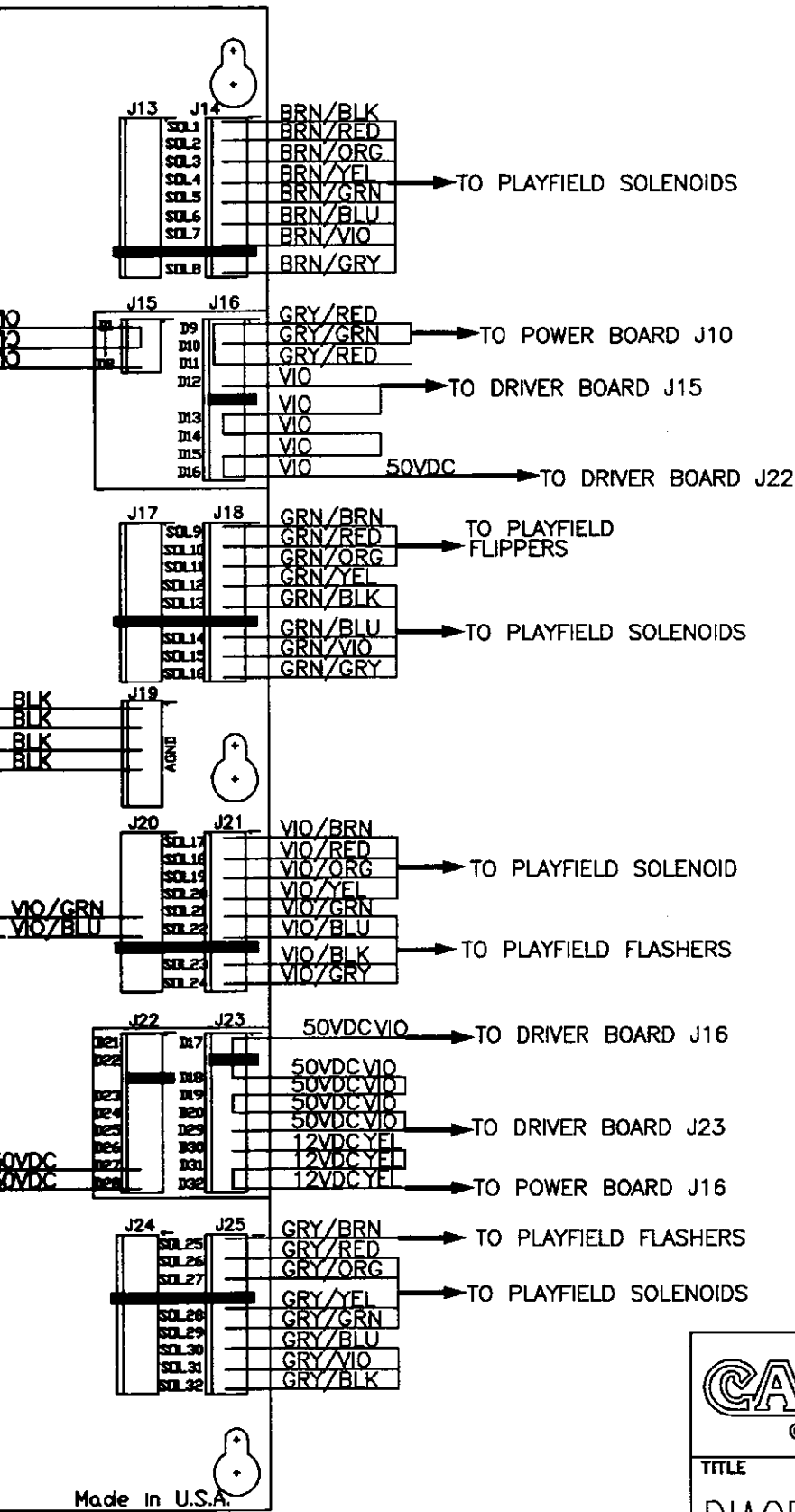


TO SWITCH BOARD J12



50 PIN RIBBON CABLE
TO SWITCH BOARD J11

PHIBALL SOCKS



Made in U.S.A.

CAPCOM[®]
COIN-OP, INC.

CAPCOM COIN-OP, INC.
3311 NORTH KENNICOTT AVENUE
ARLINGTON HEIGHTS, ILLINOIS 60004
PHONE (847) 797-6100
FAX (847) 797-6119

TITLE

DIAGRAM, DRIVER BOARD WIRING

PART NO.

PB-11 WIRING

DRAWN

B.ZIEGLER

DATE

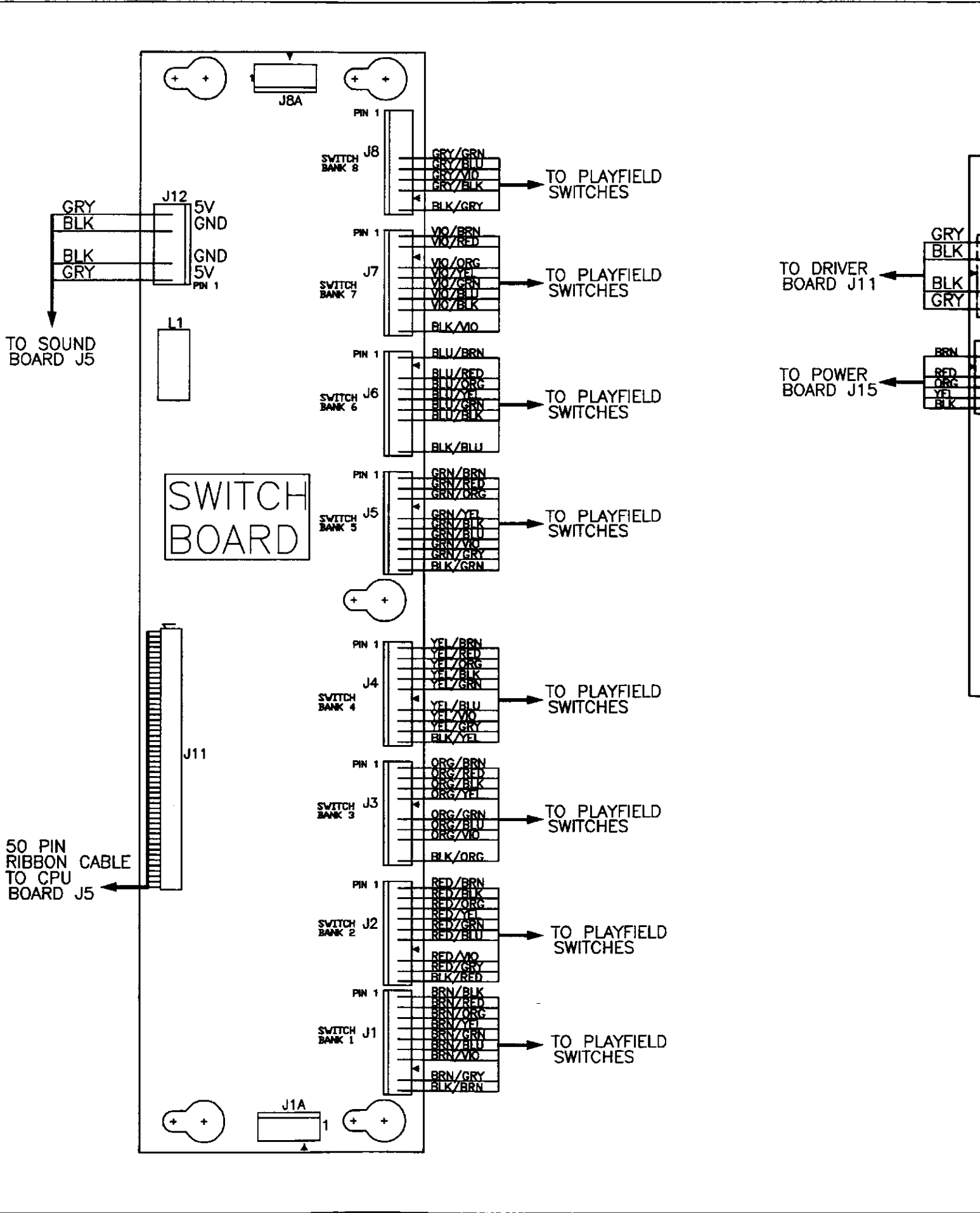
6/7/96

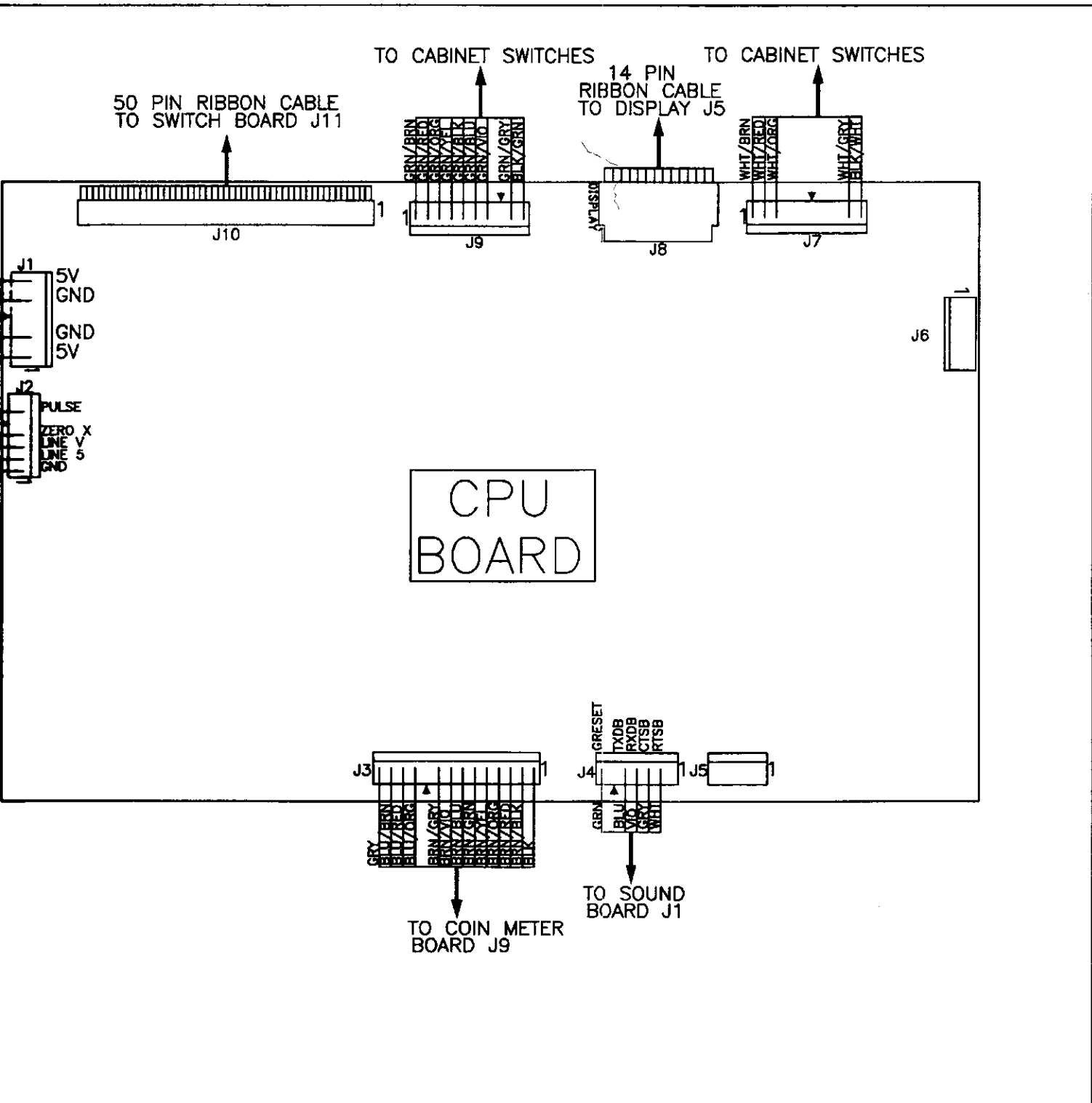
SHEET

2 OF 12

ECN NO:

REV.



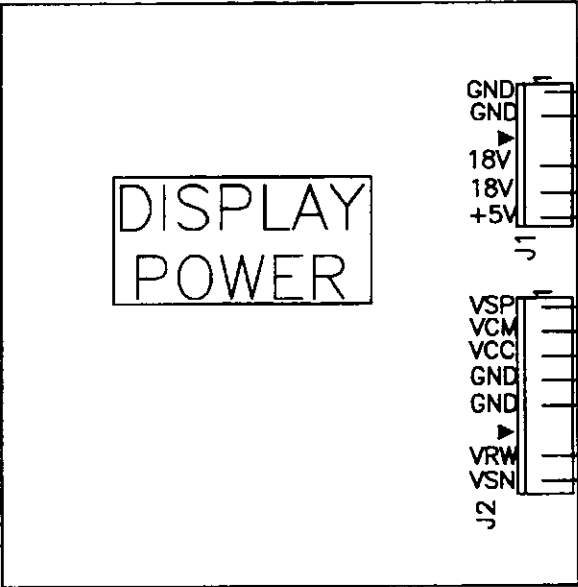


CAPCOM®
 COIN-OP, INC.

CAPCOM COIN-OP, INC.
 3311 NORTH KENNICOTT AVENUE
 ARLINGTON HEIGHTS, ILLINOIS 60004
 PHONE (847) 797-6100
 FAX (847) 797-6119

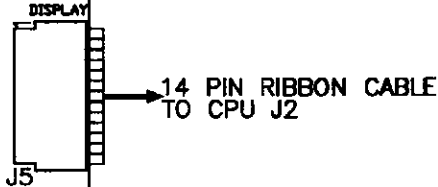
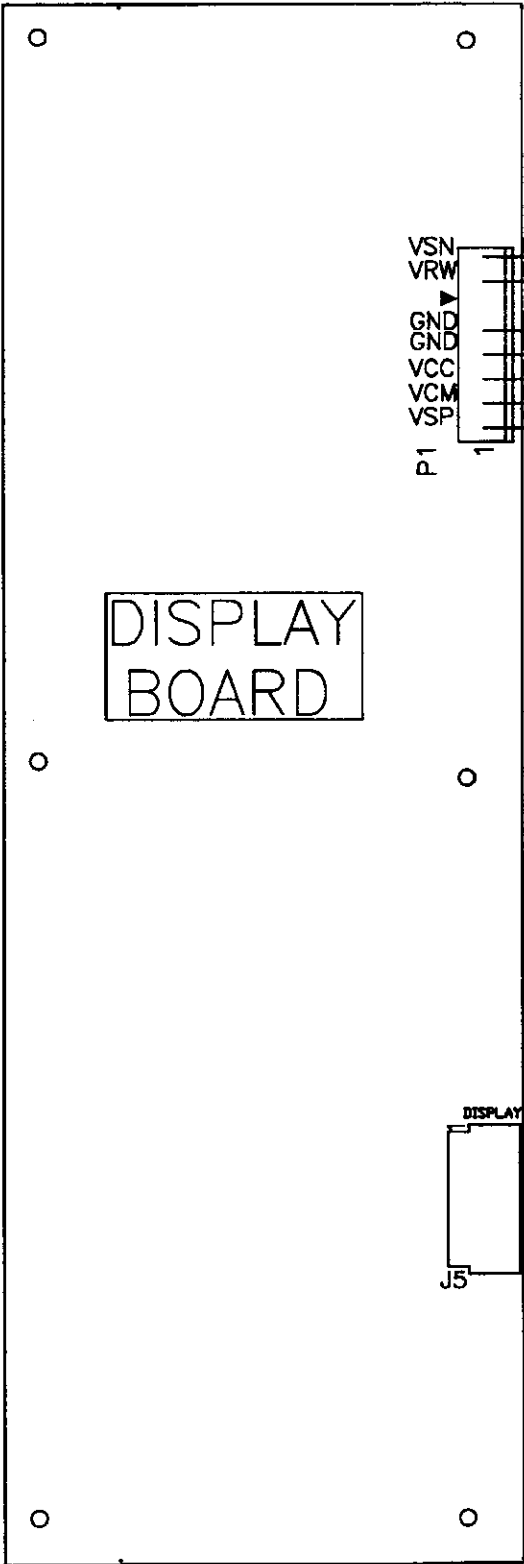
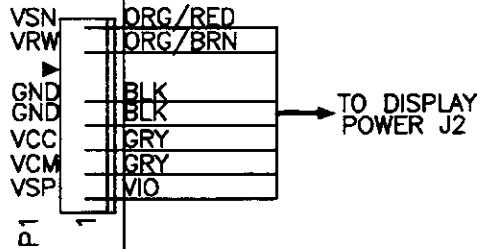
TITLE
 DIAGRAM, SWITCH, CPU WIRING

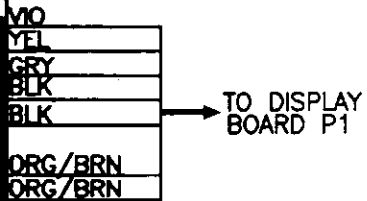
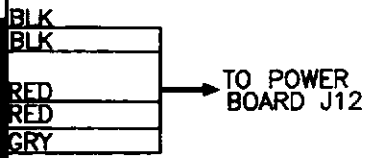
PART NO. PB-11 WIRING	DRAWN B.ZIEGLER
DATE 6/7/96	SHEET 3 OF 12
ECN NO:	REV.



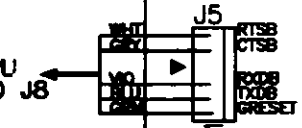
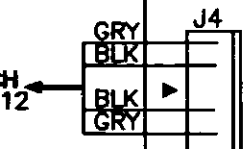
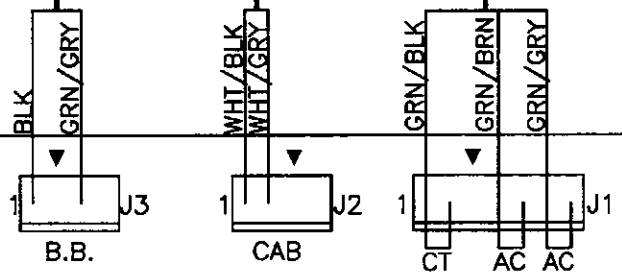
TO SWITCH BOARD J12

TO CPU BOARD J2



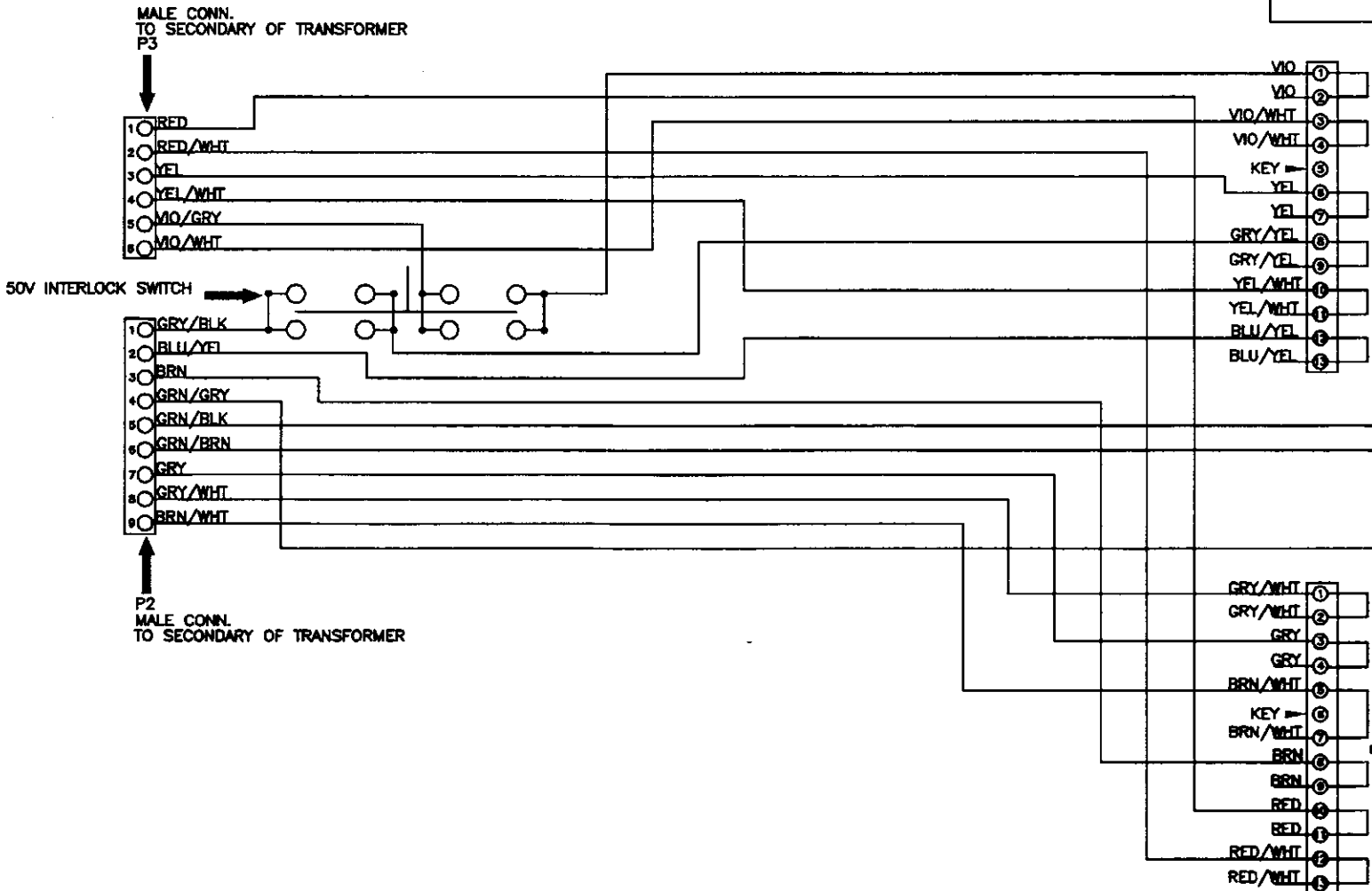
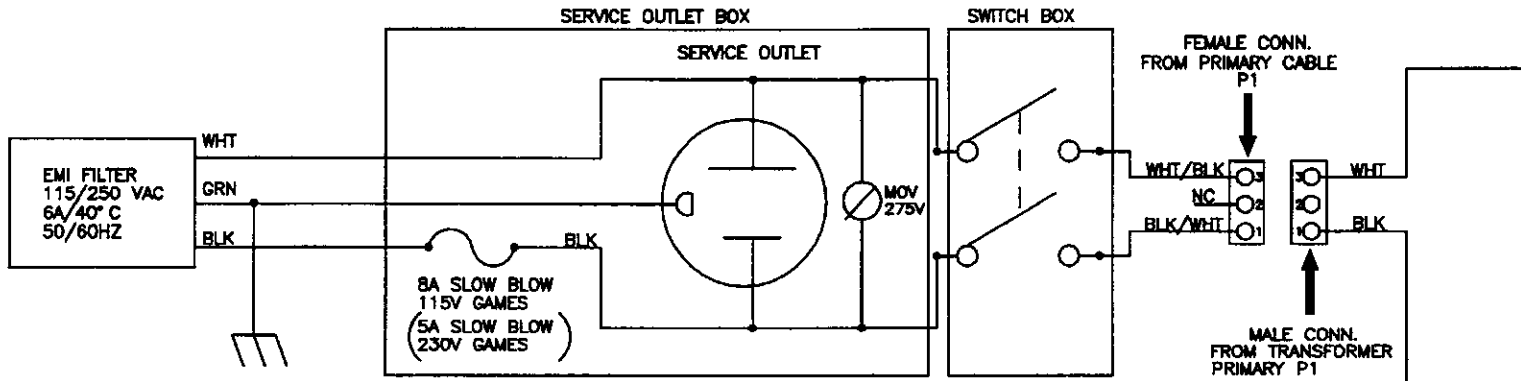
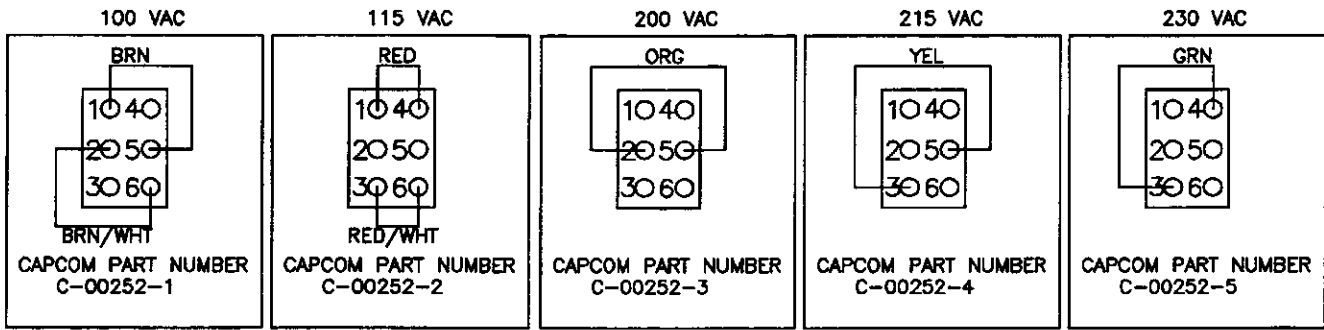


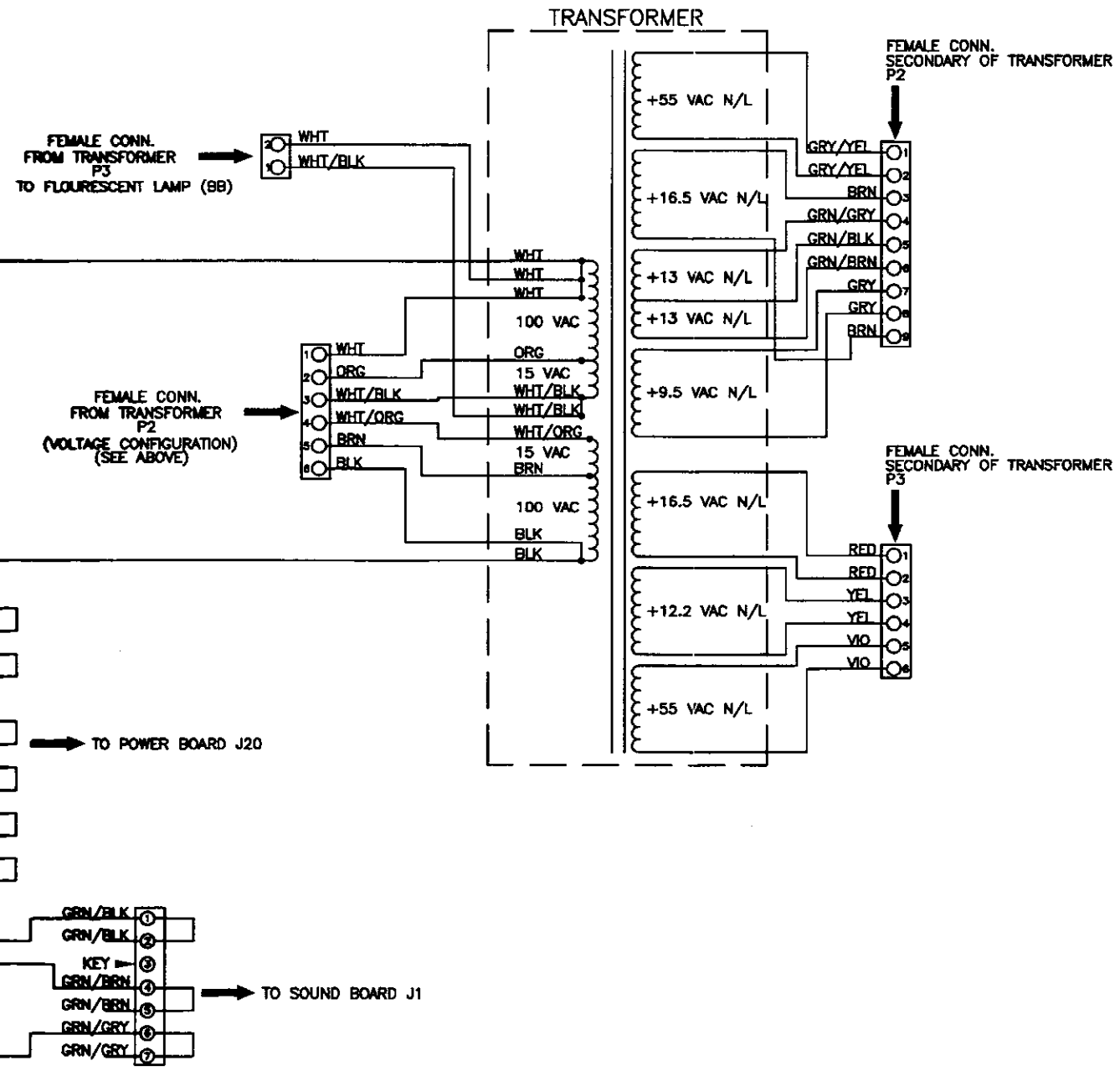
TO LEFT & RIGHT SPEAKERS TO CABINET SPEAKER TO TRANSFORMER SECONDARY P2



SOUND BOARD

		CAPCOM COIN-OP, INC. 3311 NORTH KENNICOTT AVENUE ARLINGTON HEIGHTS, ILLINOIS 60004 PHONE (847) 797-8100 FAX (847) 797-8119	
		COIN-OP, INC.	
TITLE			
DIAGRAM, DIPLAY & SOUND BOARD WIRING			
PART NO.		DRAWN	
PB-11 WIRING		B.ZIEGLER	
DATE	SHEET	ECN NO:	REV.
6/7/96	4 OF 12		



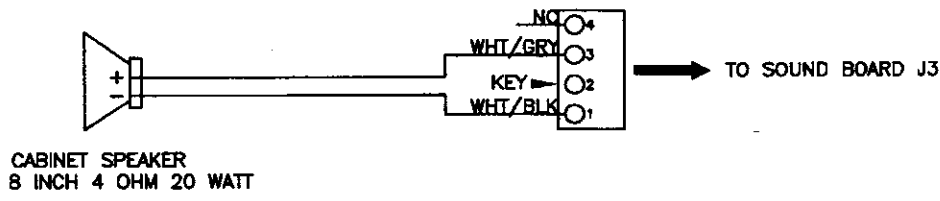
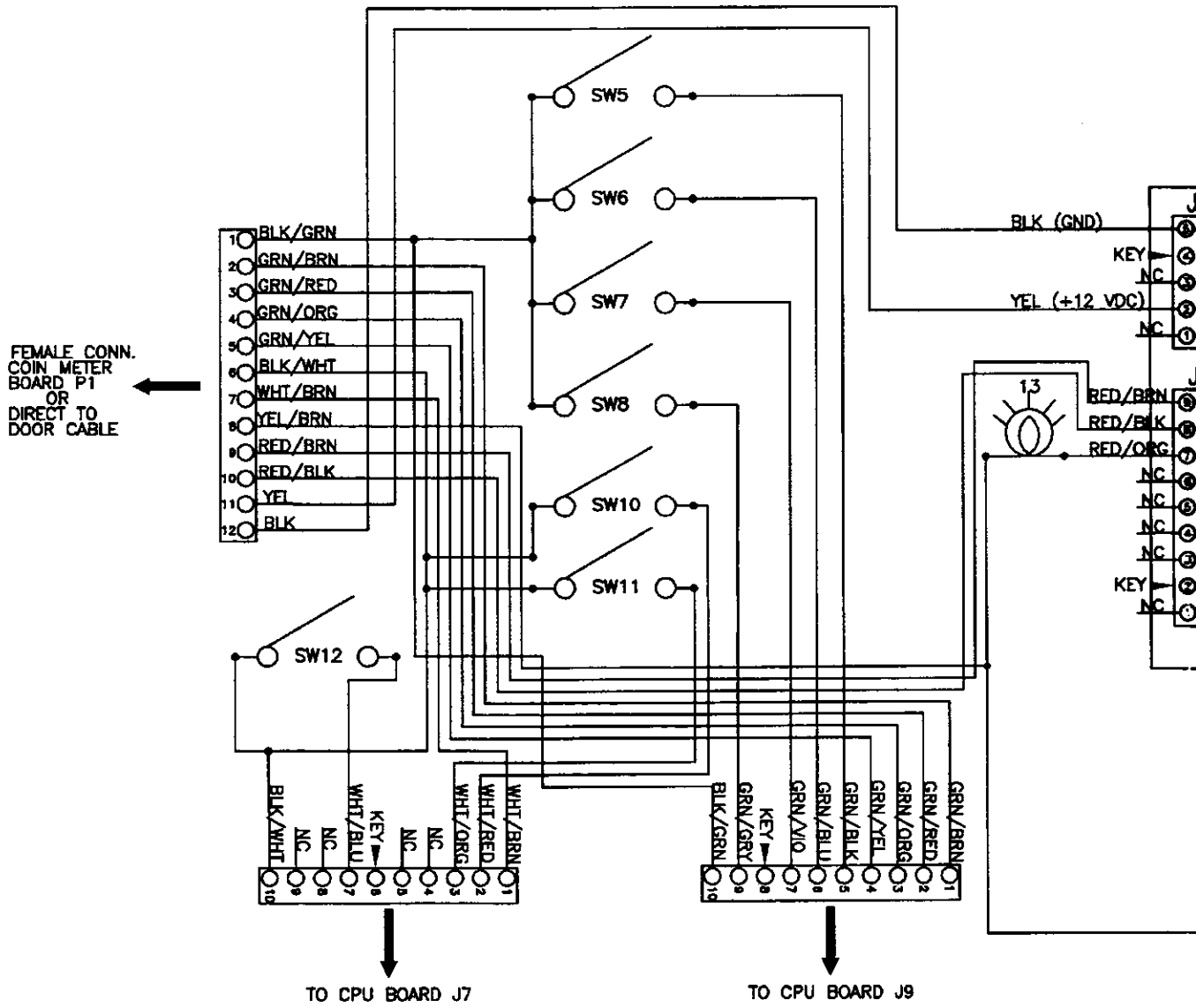


CAPCOM[®] CAPCOM COIN-OP, INC.
 3311 NORTH KENNICOTT AVENUE
 ARLINGTON HEIGHTS, ILLINOIS 60004
 COIN-OP, INC. PHONE (847) 787-6100
 FAX (847) 787-6119

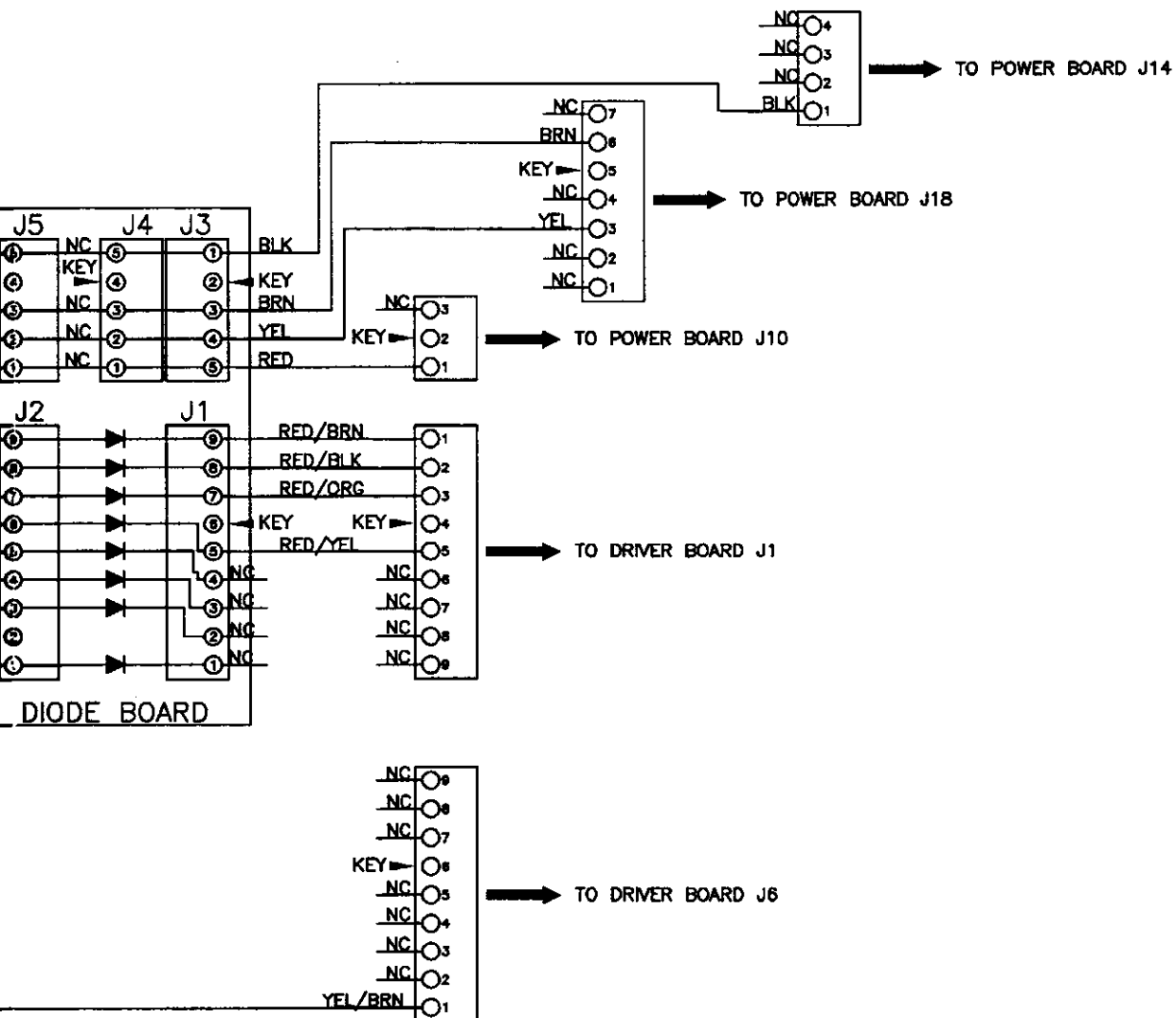
TITLE
 DIAGRAM, CABINET PRIMARY, SECONDARY & TRANSFORMER WIRING

PART NO. PB-11 WIRING	DRAWN B.ZIEGLER
DATE 6/7/96	SHEET 5 OF 12
ECN NO:	REV.

LAMP #	DESCRIPTION
11	COIN DOOR 1&2
12	COIN DOOR 3&4
13	START



SWITCH #	DESCRIPTION
5	LEFT FLIPPER
6	RIGHT FLIPPER
7	START
8	COIN DOOR OPEN
10	TILT BOB
11	KEY SWITCH
12	KICKER SWITCH



CAPCOM® CAPCOM COIN-OP, INC.
 3311 NORTH KENNICOTT AVENUE
 ARLINGTON HEIGHTS, ILLINOIS 60004
 PHONE (847) 787-8100
 FAX (847) 787-8119
 COIN-OP, INC.

TITLE
 DIAGRAM, CABINET SWITCHES, LAMPS & COIN DOOR WIRING

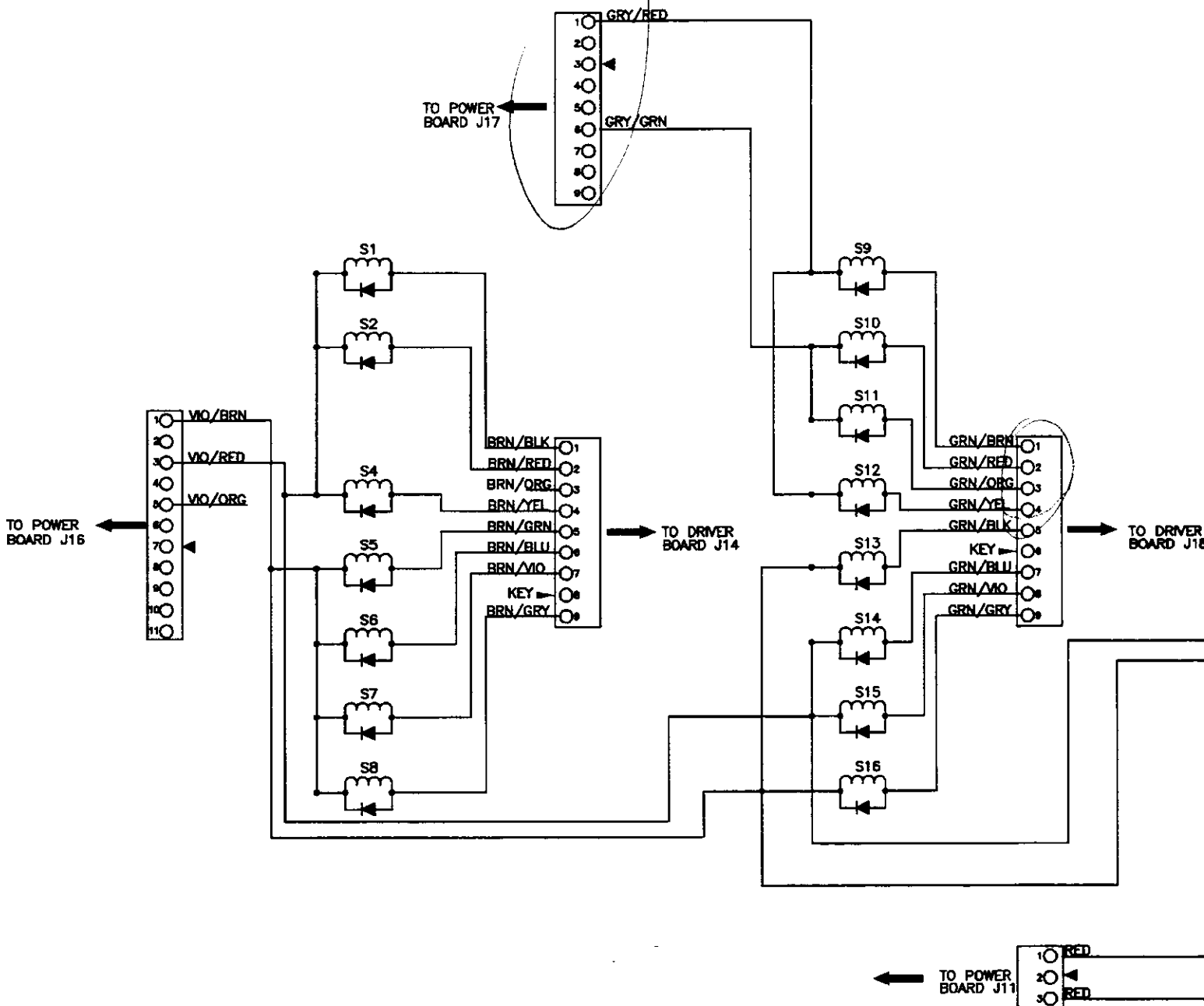
PART NO. PB-11 WIRING DRAWN B. ZIEGLER

DATE 9/18/96 SHEET 6 OF 12 ECN NO: REV.

DEVICE #	DESCRIPTION
S1	BALL SHOOTER
S2	KNOCK DOWN
S3	KNOCKER
S4	L. SLINGSHOT
S5	R. SLINGSHOT
S6	STARBUMPER TOP
S7	STARBUMPER MIDDLE
S8	STARBUMPER LOWER

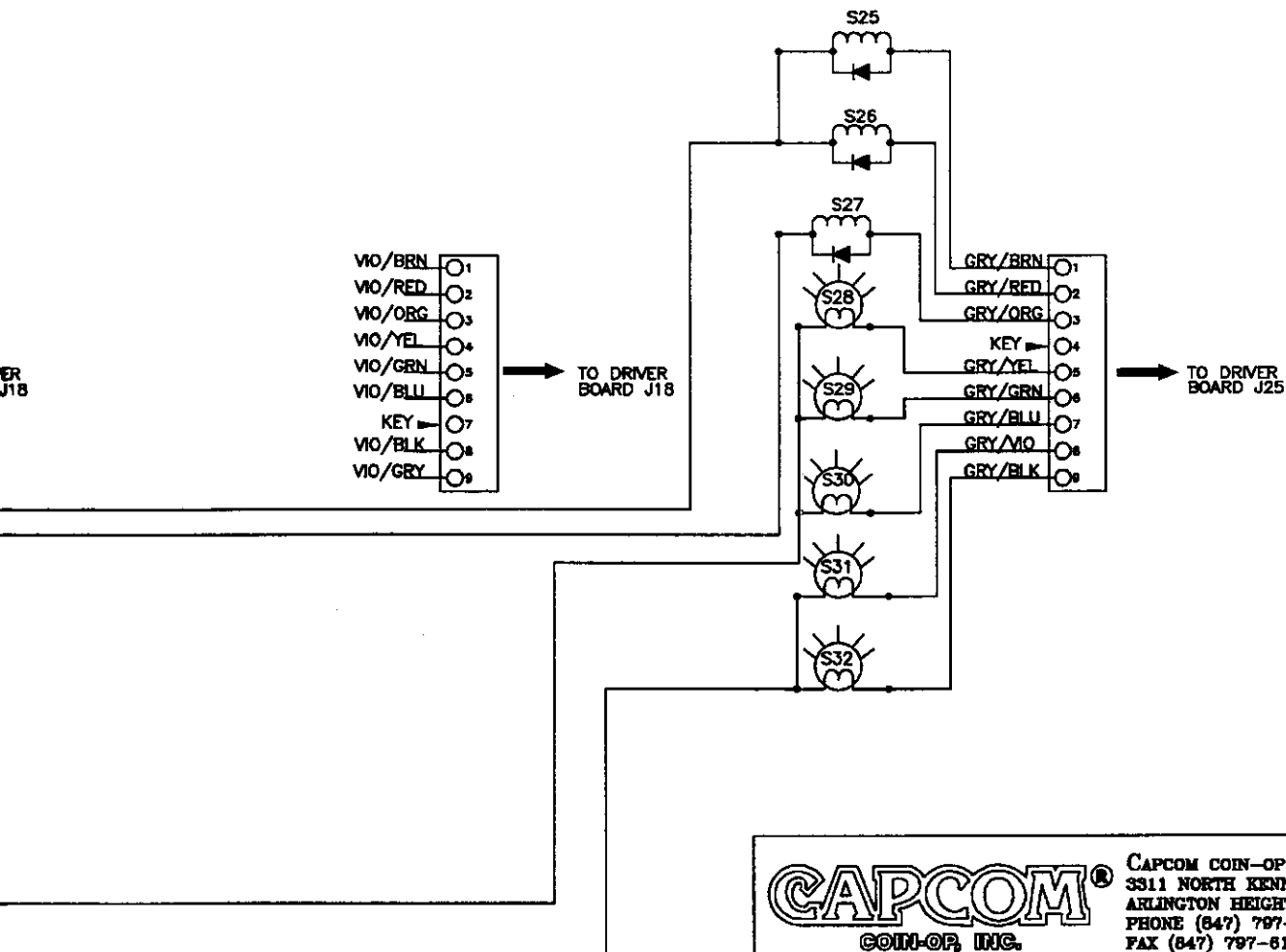
DEVICE #	DESCRIPTION
S9	L. FLIPPER
S10	R. FLIPPER
S11	UL FLIPPER
S12	UR FLIPPER
S13	UPPER L. EJECT
S14	UPPER R. EJECT
S15	L. MID EJECT
S16	R. MID EJECT

DEVICE #	DESCRIPTION
S17	UNUS
S18	UNUS
S19	UNUS
S20	UNUS
S21	UNUS
S22	UNUS
S23	UNUS
S24	UNUS



DEVICE DESCRIPTION
USED
USED
USED
USED
USED
USED
USED
USED
USED

DEVICE DESCRIPTION
S25 BANK DROP
S26 LEFT 3 BANK DROP
S27 RIGHT 3 BANK DROP
S28 STARBUMPER FLASHER
S29 LEFT UPPER FLASHER
S30 RIGHT UPPER FLASHER
S31 LEFT CENTER FLASHER
S32 RIGHT CENTER FLASHER



CAPCOM[®]
COIN-OP, INC.

CAPCOM COIN-OP, INC.
3311 NORTH KENNICOTT AVENUE
ARLINGTON HEIGHTS, ILLINOIS 60004
PHONE (847) 797-6100
FAX (847) 797-6119

TITLE

DIAGRAM, PLFD DEVICES, FLASHERS, WIRING

PART NO.

PB-11 WIRING

DRAWN

B. ZIEGLER

DATE

7/15/96

SHEET

7 OF 12

ECN NO:

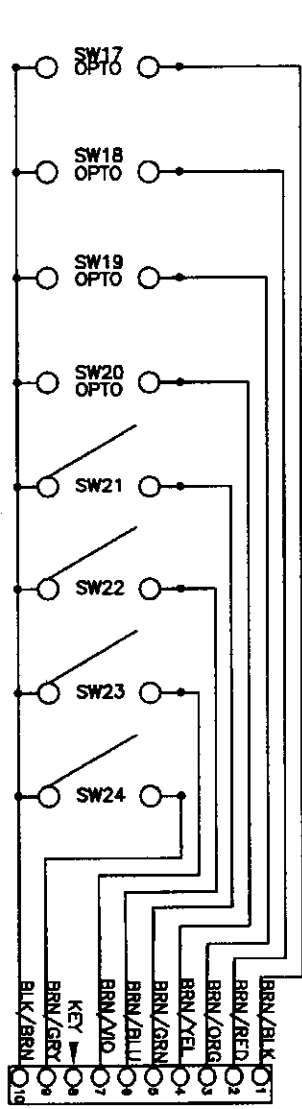
REV.

SWITCH # & DESCRIPTION
17 GOAL 1 LEFT
18 GOAL 3
19 GOAL 5
20 GOAL 7
21 L. UPPER EJECT
22 LEFT INNER LOOP
23 LEFT OUTER LOOP
24 LEFT LOOP ENTRY

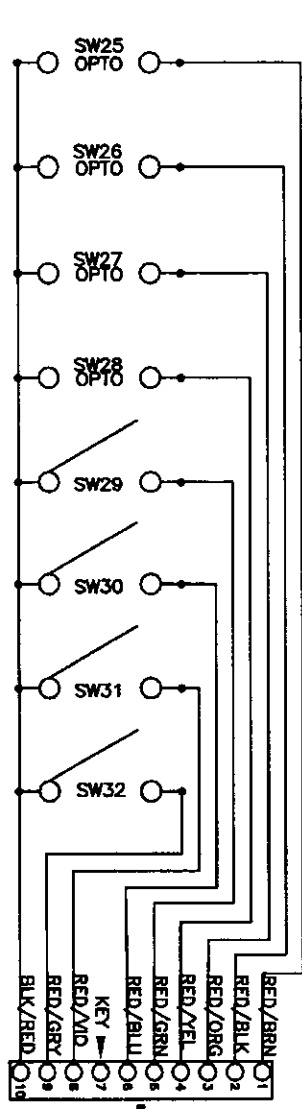
SWITCH # & DESCRIPTION
25 GOAL 2
26 GOAL 4
27 GOAL 6
28 GOAL 8 RIGHT
29 RIGHT TOP TARGET
30 RIGHT UPPER EJECT
31 RIGHT OUTER LOOP
32 RIGHT INNER LOOP

SWITCH # & DESCRIPTION
33 L. FLIPPER E.O.S.
34 R. FLIPPER E.O.S.
35 BALL TROUGH
36 TROUGH RETURN
37 UNUSED
38 UNUSED
39 UNUSED
40 LEFT SPINNER

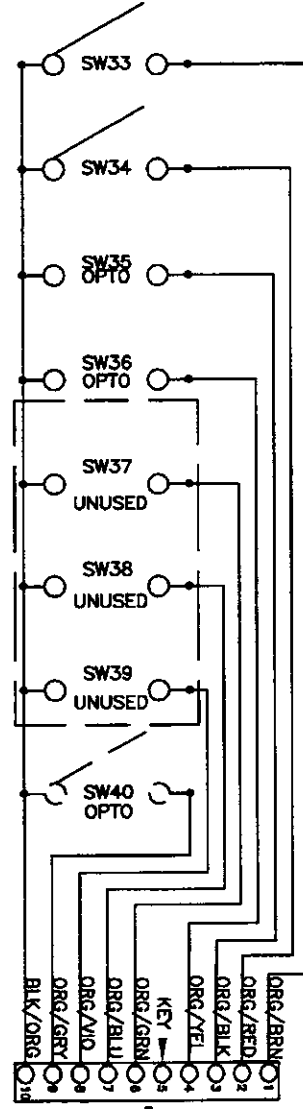
SWITCH # & DESCRIPTION
41 L. SLINGSHOT
42 R. SLINGSHOT
43 RIGHT LOWER EJECT
44 RIGHT LOWER 10 POINT
45 RIGHT INNER LANE
46 RIGHT OUTER LANE
47 RIGHT BOTTOM TARGET
48 RIGHT SPINNER



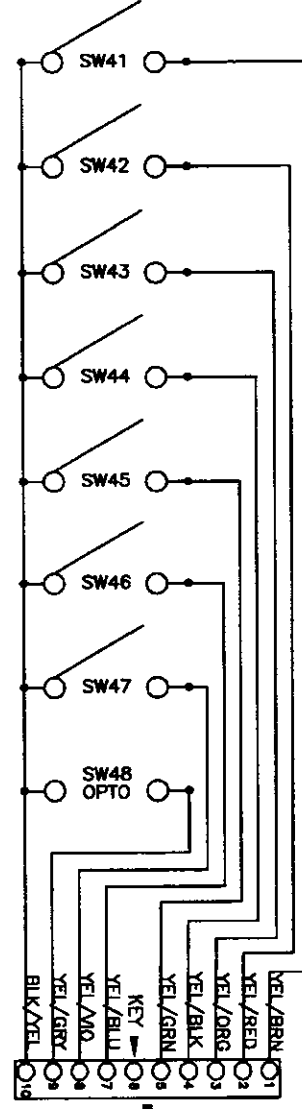
TO SWITCH BOARD
J1 SWITCHBANK 1



TO SWITCH BOARD
J2 SWITCHBANK 2

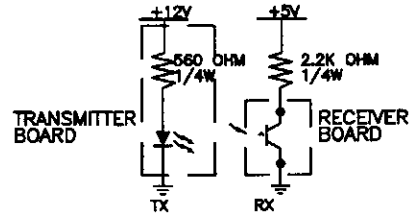


TO SWITCH BOARD
J3 SWITCHBANK 3



TO SWITCH BOARD
J4 SWITCHBANK 4

NOTE: THIS IS A TYPICAL OPTO CIRCUIT THE COMPONENTS IN THE DASHED LINES ARE THE ACTUAL BOARDS



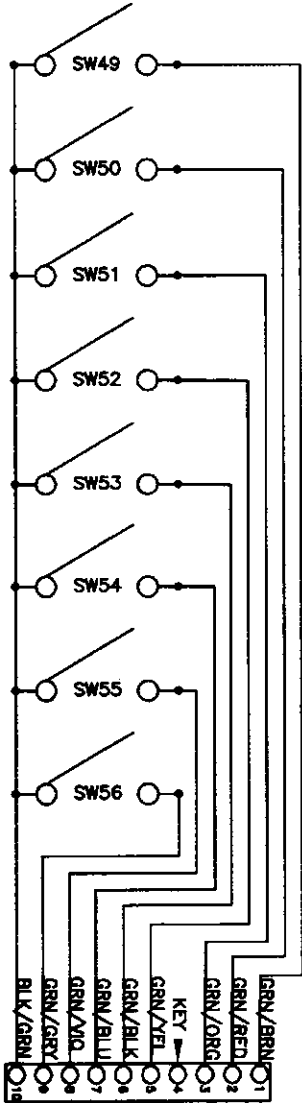
NOTE: ALL OPTOS SHOWN ARE RECEIVER SIDE ONLY
TRANSMITTER POWER COMES FROM POWER BOARD J13 PINS 8-9

SWITCH #	DESCRIPTION
49	EOS RIGHT UPPER
50	TOP BUMPER
51	MID BUMPER
52	BOTTOM BUMPER
53	RIGHT MID TARGET
54	RIGHT 3 BANK LEFT
55	RIGHT 3 BANK CENTER
56	RIGHT 3 BANK RIGHT

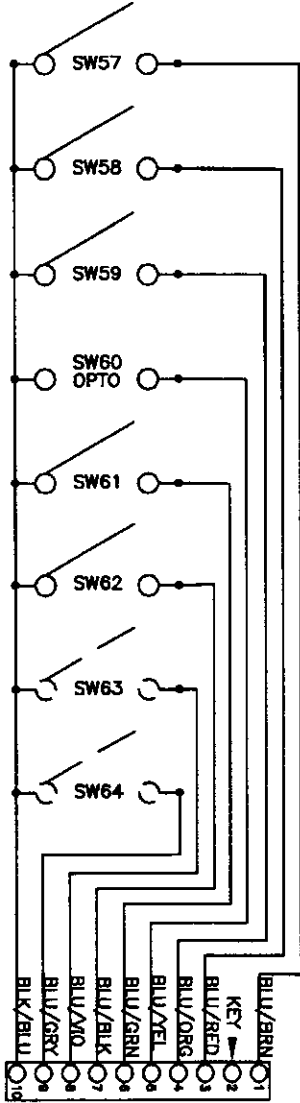
SWITCH #	DESCRIPTION
57	5 BANK LEFT OUTER
58	5 BANK LEFT INNER
59	5 BANK CENTER
60	5 BANK RIGHT INNER
61	5 BANK RIGHT OUTER
62	LEFT 3 BANK LEFT
63	LEFT 3 BANK CENTER
64	LEFT 3 BANK RIGHT

SWITCH #	DESCRIPTION
65	MID FIELDER
66	EOS LEFT UPPER
67	LEFT TOP TARGET
68	LEFT LOWER EJECT
69	LEFT LOWER 10 POINT
70	LEFT INNER LANE
71	LEFT OUTER LANE
72	LEFT BOTTOM TARGET

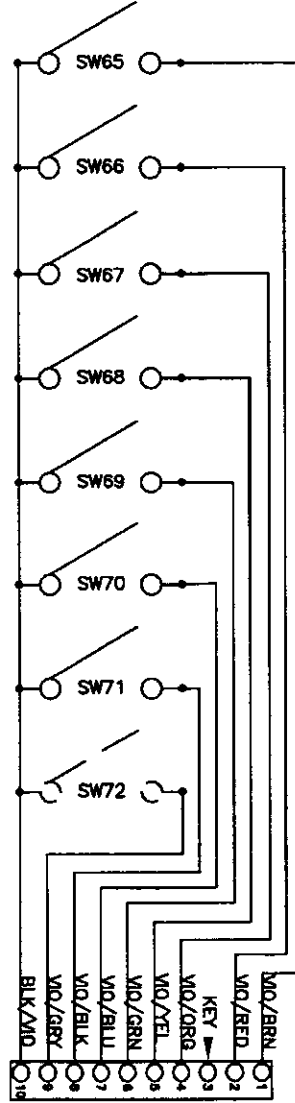
SWITCH #	DESCRIPTION
73	UNUSED
74	UNUSED
75	UNUSED
76	UNUSED
77	UNUSED
78	UNUSED
79	UNUSED
80	UNUSED



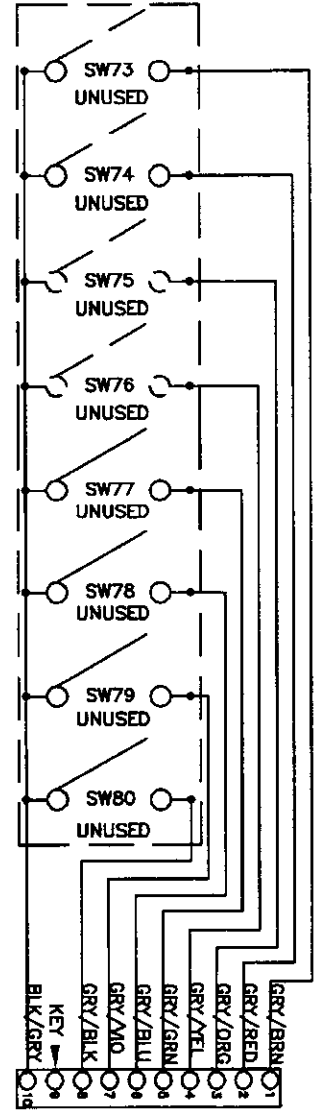
TO SWITCH BOARD
J5 SWITCHBANK 5



TO SWITCH BOARD
J6 SWITCHBANK 6



TO SWITCH BOARD
J7 SWITCHBANK 7



TO SWITCH BOARD
J8 SWITCHBANK 8

CAPCOM[®]
COIN-OP, INC.

CAPCOM COIN-OP, INC.
3311 NORTH KENNICOTT AVENUE
ARLINGTON HEIGHTS, ILLINOIS 60004
PHONE (847) 797-6100
FAX (847) 797-6119

TITLE

DIAGRAM, PLAYFIELD SWITCHES, WIRING

PART NO.

PB-11 WIRING

DRAWN

B.ZIEGLER

DATE

6/7/96

SHEET

8 OF 12

ECN NO:

REV.

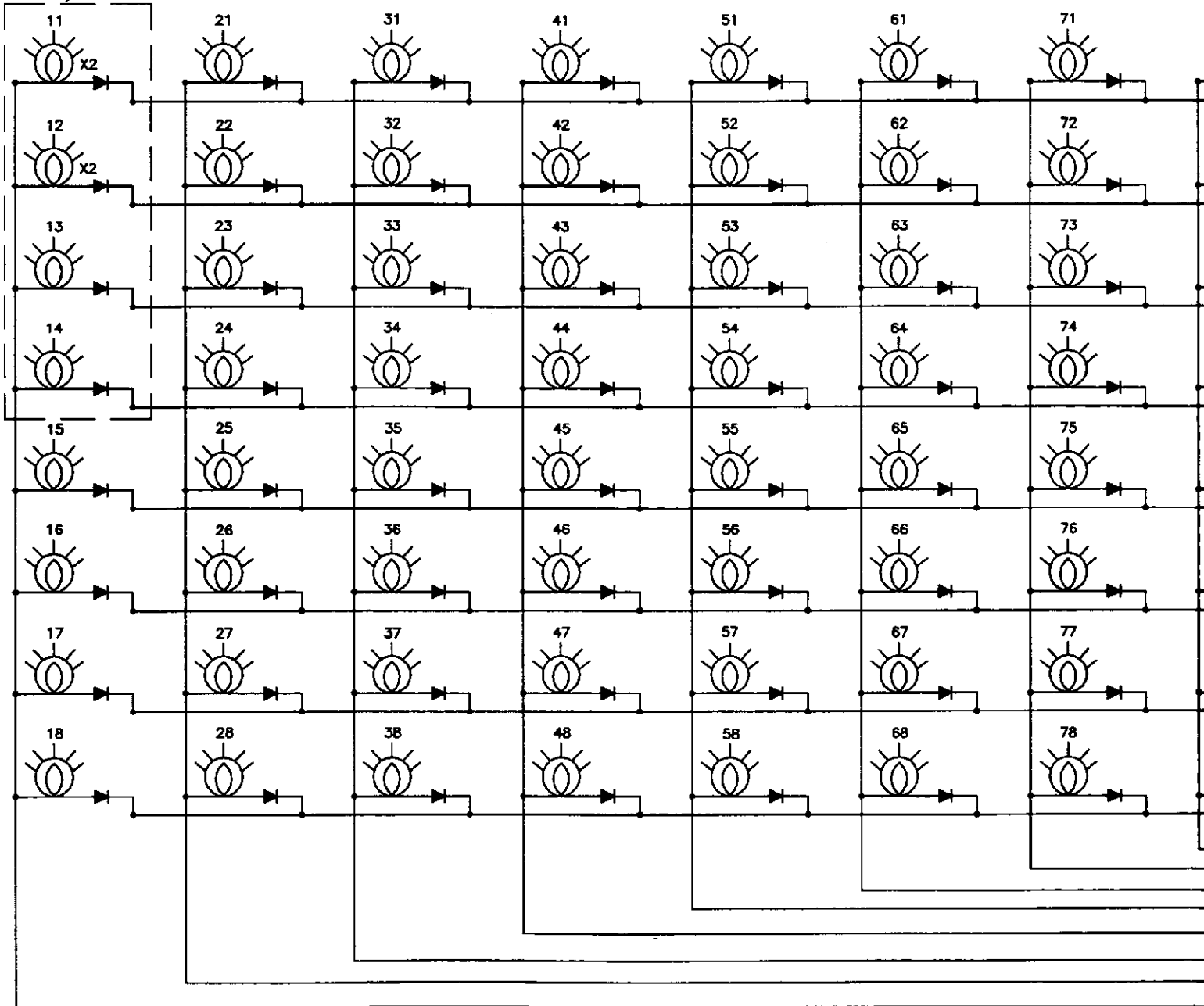
LAMP NUMBER & DESCRIPTION	
11	COIN DOOR 1&2
12	COIN DOOR 3&4
13	START
14	KICK BUTTON
15	UNUSED
16	UNUSED
17	UNUSED
18	UNUSED

LAMP NUMBER & DESCRIPTION	
21	UNUSED
22	UNUSED
23	GI LEFT UPPER 7
24	UNUSED
25	UNUSED
26	UNUSED
27	UNUSED
28	UNUSED

LAMP NUMBER & DESCRIPTION	
31	UNUSED
32	UNUSED
33	UNUSED
34	UNUSED
35	UNUSED
36	UNUSED
37	UNUSED
38	UNUSED

LAMP NUMBER & DESCRIPTION	
41	UNUSED
42	UNUSED
43	UNUSED
44	UNUSED
45	UNUSED
46	UNUSED
47	UNUSED
48	UNUSED

COIN DOOR / CABINET

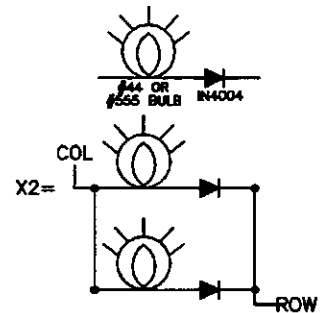
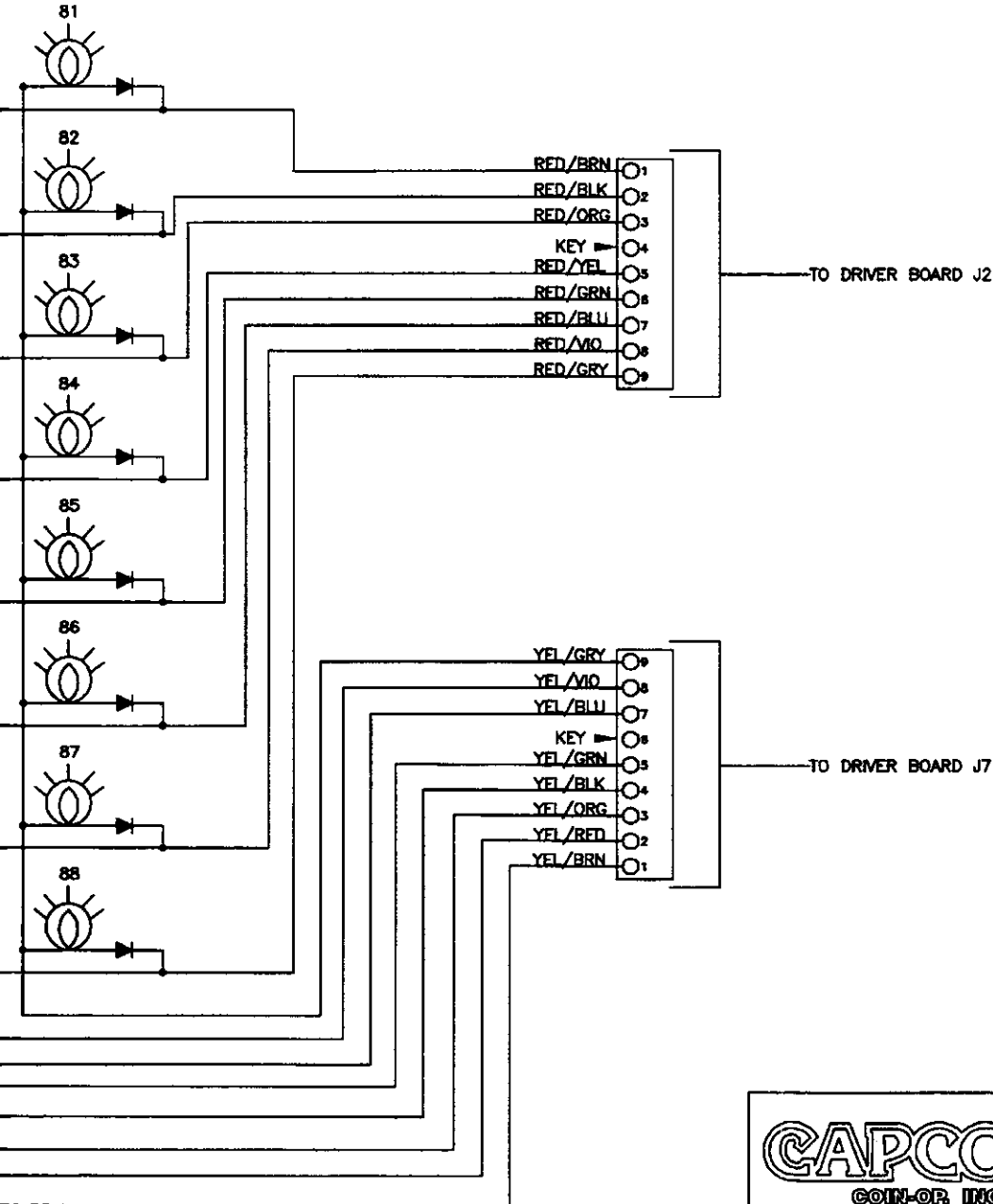


LAMP NUMBER	DESCRIPTION
51	UNUSED
52	UNUSED
53	UNUSED
54	UNUSED
55	UNUSED
56	UNUSED
57	UNUSED
58	UNUSED

LAMP NUMBER	DESCRIPTION
61	UNUSED
62	UNUSED
63	UNUSED
64	UNUSED
65	UNUSED
66	UNUSED
67	UNUSED
68	UNUSED

LAMP NUMBER	DESCRIPTION
71	UNUSED
72	UNUSED
73	UNUSED
74	UNUSED
75	UNUSED
76	UNUSED
77	UNUSED
78	UNUSED

LAMP NUMBER	DESCRIPTION
81	UNUSED
82	UNUSED
83	UNUSED
84	UNUSED
85	UNUSED
86	UNUSED
87	UNUSED
88	UNUSED



CAPCOM[®] CAPCOM COIN-OP, INC.
 3311 NORTH KENNICOTT AVENUE
 ARLINGTON HEIGHTS, ILLINOIS 60004
 PHONE (847) 797-8100
 FAX (847) 797-8119
 COIN-OP, INC.

TITLE
 DIAGRAM, LAMP MATRIX "A" WIRING

PART NO.
 PB-11 WIRING

DRAWN
 B.ZIEGLER

DATE
 6/7/96

SHEET
 9 OF 12

ECN NO:

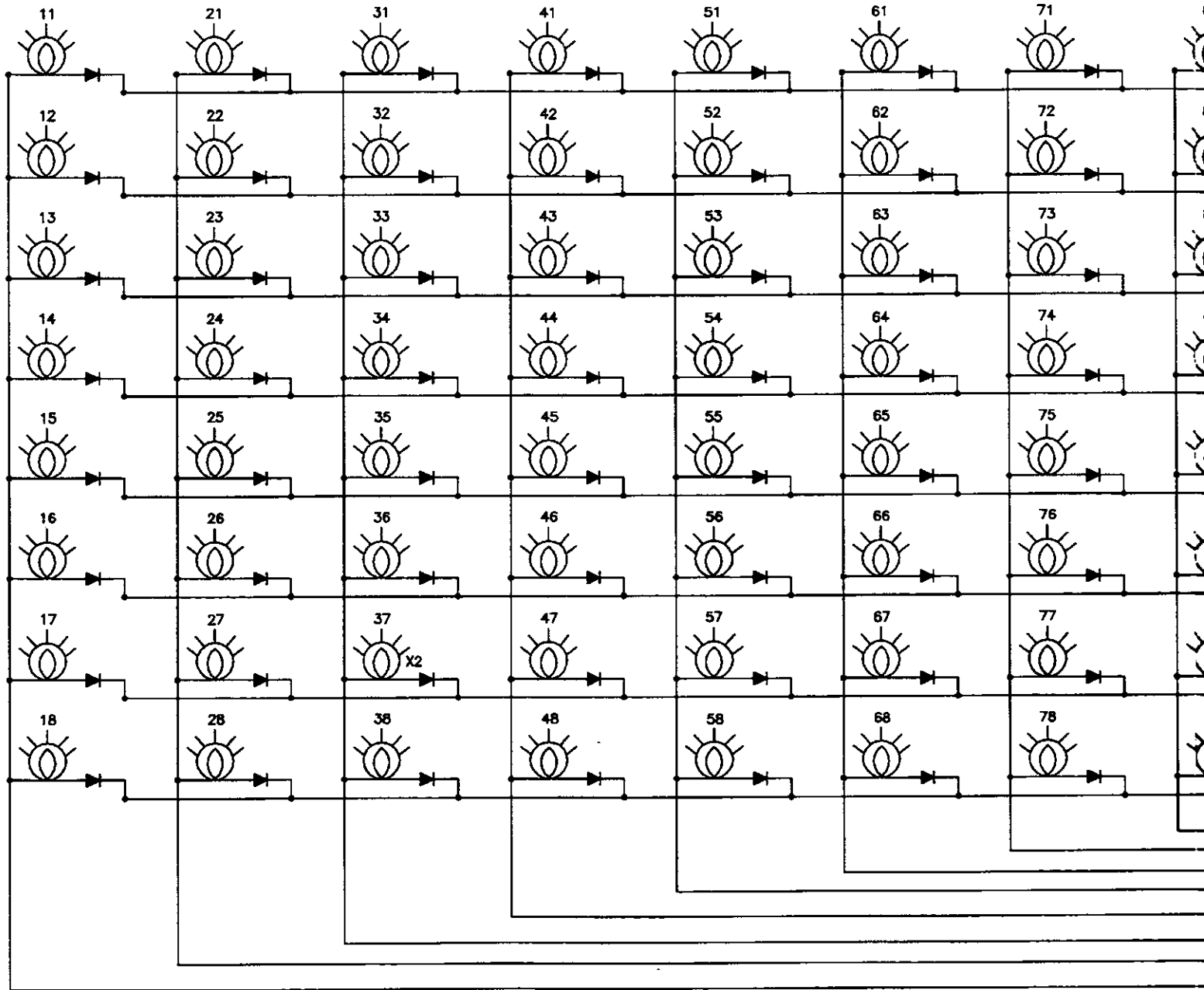
REV.

LAMP NUMBER & DESCRIPTION	
11	G.I. RIGHT UPPER 3-4
12	G.I. UPPER 1-2
13	DEFENSE 2 RED
14	DEFENSE 2 WHITE
15	OFFENSE 9 RED
16	OFFENSE 9 WHITE
17	LEFT SPINNER TOP
18	LEFT SPINNER BOTTOM

LAMP NUMBER & DESCRIPTION	
21	RIGHT UPPER EJECT TOP
22	RIGHT UPR EJECT BOTTOM
23	G.I. RIGHT DROP 1-2
24	G.I. RIGHT LOWER 5-6
25	OFFENSE 7 RED
26	OFFENSE 7 WHITE
27	OFFENSE 11 WHITE
28	OFFENSE 11 RED

LAMP NUMBER & DESCRIPTION	
31	LEFT UPPER EJECT TOP
32	LEFT UPR EJECT BOTTOM
33	OFFENSE 10 RED
34	OFFENSE 10 WHITE
35	G.I. LEFT UPPER 5-6
36	G.I. LEFT UPPER 3-4
37	DEFENSE 3 RED
38	DEFENSE 3 WHITE

LAMP NUMBER & DESCRIPTION	
41	OFFENSE 8 RED
42	OFFENSE 8 WHITE
43	OFFENSE 5 RED
44	OFFENSE 5 WHITE
45	DEFENSE 10 RED
46	DEFENSE 10 WHITE
47	G.I. LEFT UPPER 1-2
48	G.I. LEFT LOWER 5-6

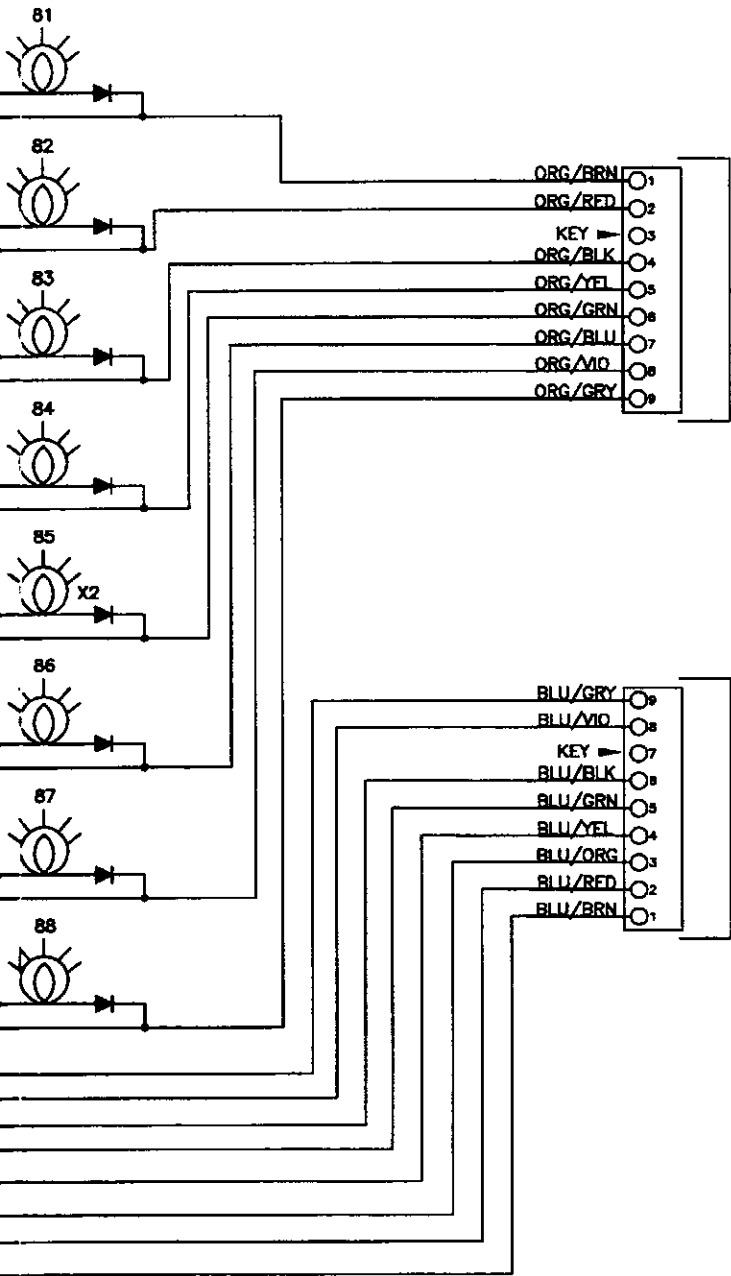


LAMP NUMBER & DESCRIPTION
51 OFFENSE 6 RED
52 OFFENSE 6 WHITE
53 DEFENSE 9 RED
54 DEFENSE 9 WHITE
55 DEFENSE 11 RED
56 DEFENSE 11 WHITE
57 OFFENSE 4 RED
58 OFFENSE 4 WHITE

LAMP NUMBER & DESCRIPTION
61 DEFENSE 4 WHITE
62 DEFENSE 4 RED
63 DEFENSE 6 RED
64 DEFENSE 6 WHITE
65 DEFENSE 5 WHITE
66 DEFENSE 5 RED
67 DEFENSE 7 RED
68 DEFENSE 7 WHITE

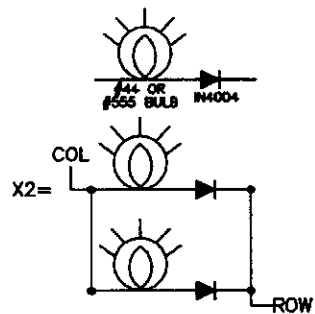
LAMP NUMBER & DESCRIPTION
71 RIGHT UPPER ARROW
72 RIGHT SPINNER TOP
73 OFFENSE 2 RED
74 OFFENSE 2 WHITE
75 G.I. RIGHT LOWER 3-4
76 G.I. RIGHT 1-2
77 RIGHT SPINNER BOTTOM
78 G.I. LEFT DROP 1

LAMP NUMBER & DESCRIPTION
81 DEFENSE 8 RED
82 DEFENSE 8 WHITE
83 OFFENSE 3 RED
84 OFFENSE 3 WHITE
85 OFFENSE 1 RED
86 OFFENSE 1 WHITE
87 G.I. RIGHT LOWER 3-4
88 G.I. RIGHT LOWER 1-2



TO DRIVER BOARD J5
BB LAMPS TO DRIVER BOARD J4

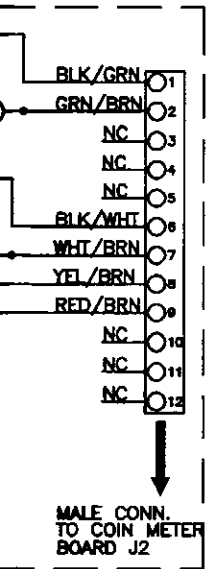
TO DRIVER BOARD J10
BB LAMPS TO DRIVER BOARD J9



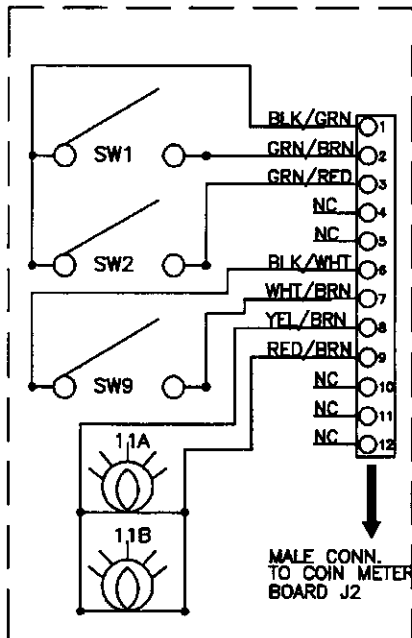
CAPCOM® CAPCOM COIN-OP, INC.
3311 NORTH KENNICOTT AVENUE
ARLINGTON HEIGHTS, ILLINOIS 60004
PHONE (847) 797-6100
FAX (847) 797-6119
COIN-OP, INC.

TITLE			
DIAGRAM, LAMP MATRIX "B" WIRING			
PART NO.		DRAWN	
PB-11 WIRING		B.ZIEGLER	
DATE	SHEET	ECN NO:	REV.
6/7/96	10 OF 12		

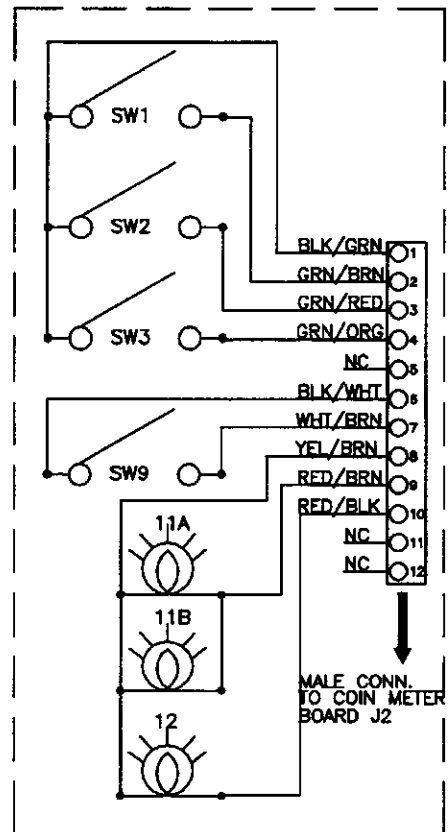
MECHANICAL
1 DOOR



2 ENTRY MECHANICAL
COIN DOOR



3 ENTRY MECHANICAL
COIN DOOR



SW # & DESCRIPTION
1 COIN DOOR 1&2
2 COIN DOOR 3&4

SWITCH # & DESCRIPTION
1 COIN 1
2 COIN 2
3 COIN 3
4 COIN 4
9 SLAM

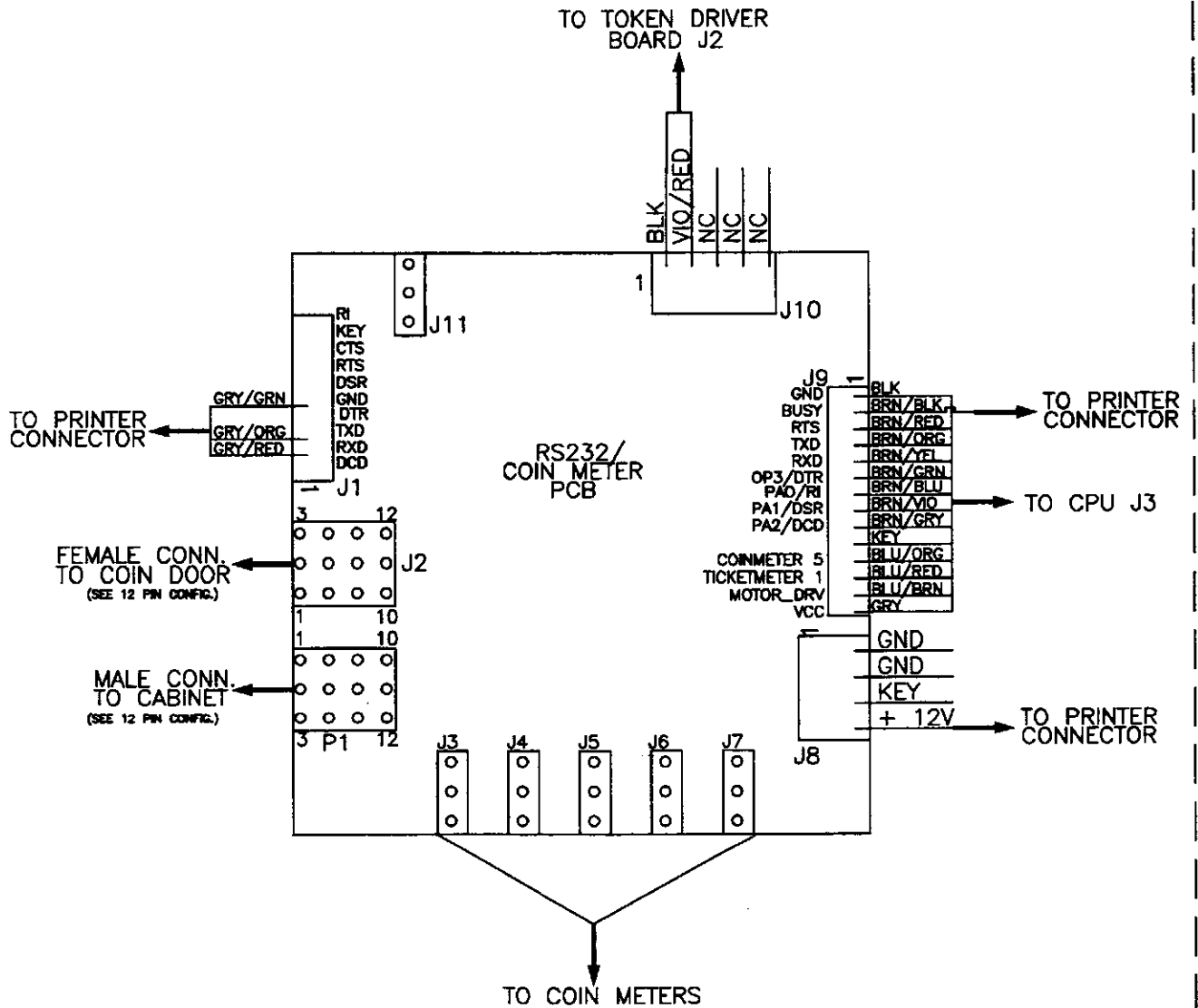
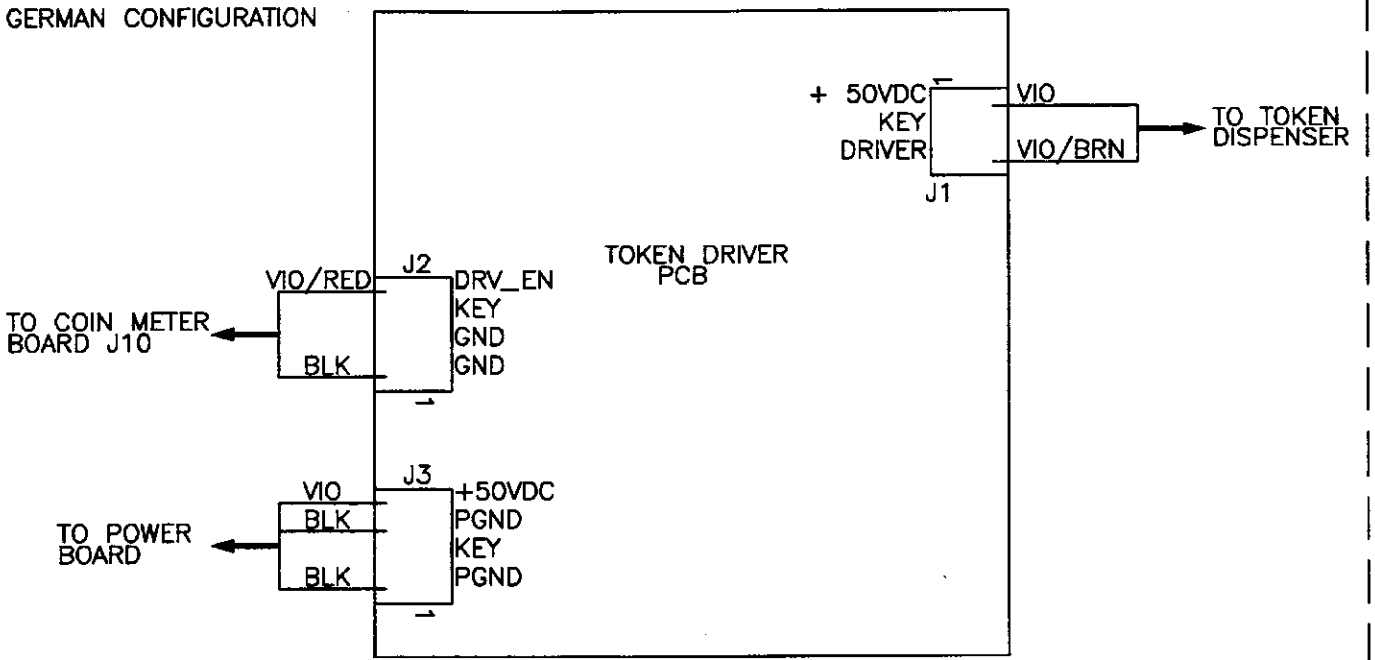
CAPCOM® CAPCOM COIN-OP, INC.
3311 NORTH KENNICOTT AVENUE
ARLINGTON HEIGHTS, ILLINOIS 60004
PHONE (847) 797-8100
FAX (847) 797-8119

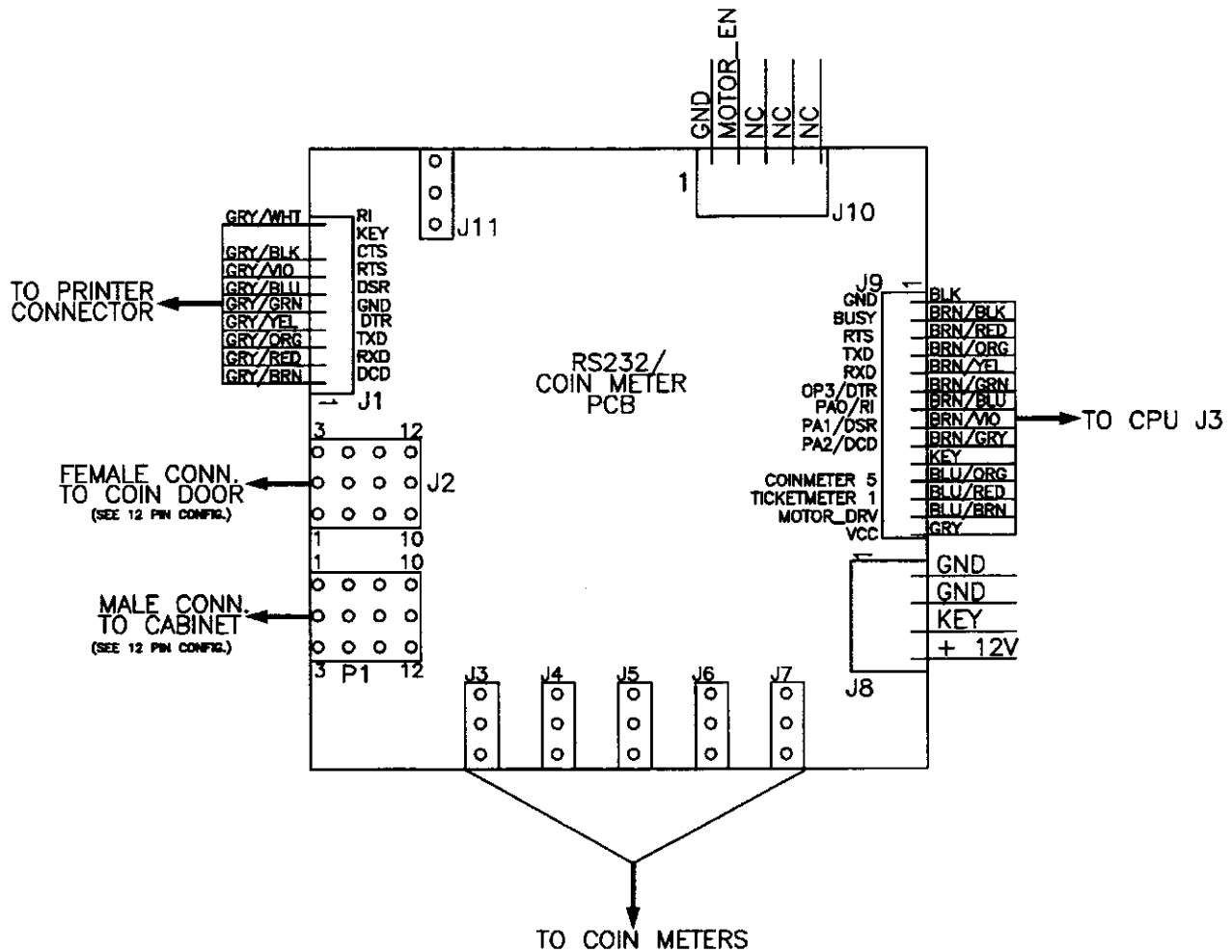
TITLE
DIAGRAM, COIN DOORS, WIRING

PART NO. **PB-5 WIRING** DRAWN **B.ZIEGLER**

DATE **6/7/96** SHEET **11 OF 12** ECN NO: REV.


GERMAN CONFIGURATION





- 1 BLK/GRN
- 2 GRN/BRN
- 3 GRN/RED
- 4 GRN/ORG
- 5 GRN/YEL
- 6 BLK/WHT
- 7 WHT/BRN
- 8 YEL/BRN
- 9 RED/BRN
- 10 NC
- 11 YEL
- 12 BLK

12 PIN CONFIGURATION

		CAPCOM COIN-OP, INC. 3311 NORTH KENNICOTT AVENUE ARLINGTON HEIGHTS, ILLINOIS 60004 PHONE (847) 797-8100 FAX (847) 797-8119	
TITLE			
<h1>DIAGRAM, PRINTER INTERFACE, WIRING</h1>			
PART NO.		DRAWN	
PB-5 WIRING		B.ZIEGLER	
DATE	SHEET	ECN NO:	REV.
6/7/96	12 OF 12		