

GODZILLA

SERVICE AND OPERATION MANUAL



WARNING

IMPORTANT HEALTH WARNING: PHOTSENSITIVE SEIZURES - A very small percentage of people may experience a seizure when exposed to certain visual images, including flashing lights or patterns. Even people with no history of seizures or epilepsy may have an undiagnosed condition that can cause "photosensitive epileptic seizures" due to certain visual images, flashing lights or patterns. Symptoms can include lightheadedness, altered vision, eye or face twitching, jerking or shaking of arms or legs, disorientation, confusion, momentary loss of awareness, and loss of consciousness or convulsions that can lead to injury from falling down or striking nearby objects.

IMMEDIATELY STOP PLAYING AND CONSULT A DOCTOR IF YOU EXPERIENCE ANY OF THESE SYMPTOMS.

ATTENTION! IMPORTANT WARRANTY INFORMATION

The electronics system, node network architecture, mechanical devices and associated software control systems in this pinball machine are designed to work with genuine Stern Pinball accessories and devices.

Installation of non-authorized accessories, lamps, LED's, motors or other devices or modification of electro-mechanical devices may damage the system and will void your warranty.

Stern Pinball machines are assembled in Elk Grove Village, Illinois, USA. Stern Pinball has inspected each game element to ensure it meets our quality standards.

Each pinball machine has unique characteristics that make it a one-of-a-kind American made product. Each will have variations in appearance resulting from differences in the machine's particular wood parts, individual printed art and mechanical assemblies. No playfield is perfectly flat and varies depending on the season. Game play will result in playfield dimpling as the harder steel ball contacts the wood and coating; over time multiple dimples will blend to make them less noticeable. Normal plastic insert crazing (tiny stress cracks) and ghosting (small cloudy areas around insert edges) are often seen in pinball machines, due to a combination of plastic mold stress, pushing of inserts into purposely undersized holes, and heating and breaking of inserts' plastic "skin" when the playfield is sanded.

TM & © TOHO CO., LTD.



Games configured for North America operate on 60 cycle electricity only. These games will not operate in countries with 50 cycle electricity (Europe, UK, Australia).



MANUAL #780-50T5-00
GODZILLA PRO #500-55T5-01

1-800-KICKERS - parts.service@sternpinball.com
www.sternpinball.com - facebook.com/sternpinball

TABLE OF CONTENTS

1. Setup and Moving	3	5.8	Ball Shooter Assembly.....	41	
1.1	First-Time Setup Instructions.....	3	5.9	Auto Launch Assembly.....	41
1.2	Adjustments Menu.....	6	5.10	Ball Trough Assembly.....	42
1.3	Transporting the Game.....	7	5.11	Slingshot Assembly.....	42
1.4	Maintenance.....	8	5.12	Flipper Assembly, Left.....	43
1.5	Maintenance Kits.....	8	5.13	Flipper Assembly, Right.....	43
1.6	Common Parts.....	8	5.14	Pop Bumper Assembly.....	44
2. SPIKE System and Node Guide	9	5.15	Bottom Arch Assembly.....	45	
2.1	SPIKE System Overview.....	9	5.16	Eject VUK Assembly.....	45
2.2	Node Bus Cabling.....	9	5.17	Newton Magnet Assembly.....	46
2.3	System Power.....	9	5.18	Plastic 07 Assembly.....	46
2.4	SPIKE Node Addresses.....	9	5.19	Plastic 08 Assembly.....	46
2.5	SPIKE Node Programming.....	10	5.20	Plastic 13 Assembly.....	47
2.6	SPIKE System Terminology.....	10	5.21	Plastic 14 Assembly.....	47
2.7	Common SPIKE Node Boards.....	10	5.22	Plastic 16 Assembly.....	47
3. Light, Switch, and Driver Reference... 11		5.23	Plastic 19 Assembly.....	48	
3.1	SPIKE Node Boards.....	11	5.24	Plastic 22 Assembly.....	48
3.2	Driver Reference.....	12	5.25	Plastic 57 Assembly.....	48
3.3	Switch Reference.....	14	5.26	Plastic 67 Assembly.....	49
3.4	Light Reference.....	18	5.27	Plastic 71 Assembly.....	49
4. Electronic Pinouts and Schematics.... 23		5.28	Plastic 77 Assembly.....	49	
4.1	SPIKE-2 CPU Node 0.....	23	5.29	Plastic 83 Assembly.....	49
4.2	Cabinet Node 1.....	27	5.30	Building Assembly.....	50
4.3	Lower Playfield 48V Driver Pinout Node 8.....	28	5.31	Right Building Assembly.....	50
4.4	Mid Upper Playfield 48V Driver Pinout Node 9.....	29	5.32	Left Narrow Spinner Assembly.....	51
4.5	Lower Right LED Board 8b.....	30	5.33	Left Wide Spinner Assembly.....	51
4.6	Lower Left LED Board 8c.....	31	5.34	Rollunder Switch Assembly.....	51
4.7	1-RGB 2-W LED Board 9a1.....	31	5.35	Ball Guide Spinner Assembly.....	51
4.8	4-W LED Board 9a2.....	31	5.36	Ball Guide 01 Assembly.....	52
4.9	Center LED Board 9a.....	32	5.37	Ball Guide 02 Assembly.....	52
4.10	1-RGB 5-W LED Board 9b.....	33	5.38	Ball Guide 03 Assembly.....	52
4.11	SW & LED Board 9c.....	33	5.39	Ball Guide 05 Assembly.....	52
4.12	Trough Serial Opto Receiver 8a.....	34	5.40	Ball Guide 06 Assembly.....	53
4.13	Trough Serial Opto Transmitter.....	34	5.41	Ball Guide 07 Assembly.....	53
4.14	Outlane 3-W LED Board.....	34	5.42	Ball Guide 12 Assembly.....	53
4.15	Main Power Supply.....	34	5.43	Ball Guide 15 Assembly.....	53
4.16	Power Distribution Board.....	35	5.44	Left Ramp Assembly.....	54
4.17	Power Plug Wiring.....	35	5.45	Right Ramp Assembly.....	54
5. Parts Reference..... 36		5.46	Backpanel Assembly.....	55	
5.1	Playfield Rubber Parts.....	36	6. Specifications	56	
5.2	Rubber Size Chart.....	36	6.1	Game Dimensions.....	56
5.3	Playfield Assemblies, Top.....	37	6.2	Warranty.....	57
5.4	Playfield Assemblies, Bottom.....	38	6.3	Warnings, Compliance, and Legal Notices.....	57
5.5	Backbox Parts.....	39	6.4	Stern Pinball End User License Agreement.....	58
5.6	Speaker Panel Parts.....	39			
5.7	Cabinet Parts.....	40			

1. SETUP AND MOVING

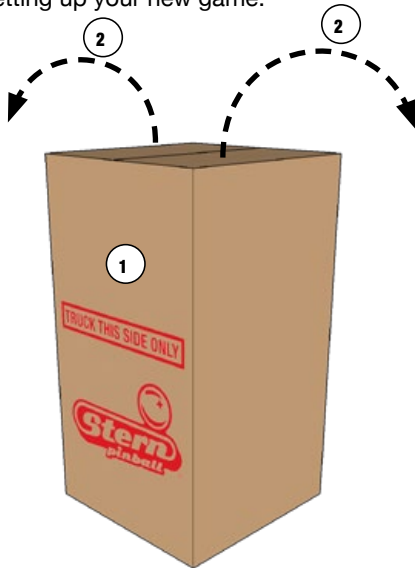
1.1 FIRST-TIME SETUP INSTRUCTIONS

Your brand new Stern Pinball Machine is carefully packed for safety and security. For your safety, exercise caution and use the correct tools and sufficient help when setting up your new game.

TOOLS REQUIRED

- 5/8" Socket Wrench
- Utility Knife
- Snips
- An Assistant

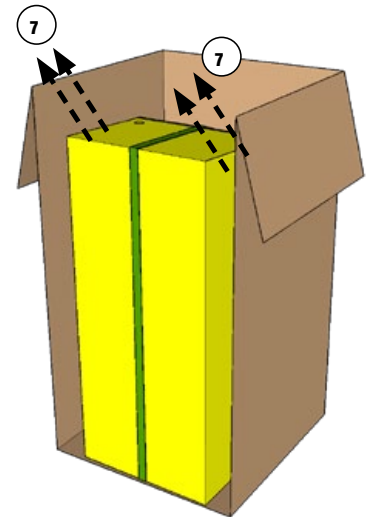
CAUTION: AT LEAST TWO (2) PEOPLE ARE REQUIRED TO MOVE AND MANEUVER THE GAME. USE PROPER MOVING EQUIPMENT AND EXTREME CARE WHILE HANDLING. STERN PINBALL MACHINES WEIGH OVER 250LBS BOXED.



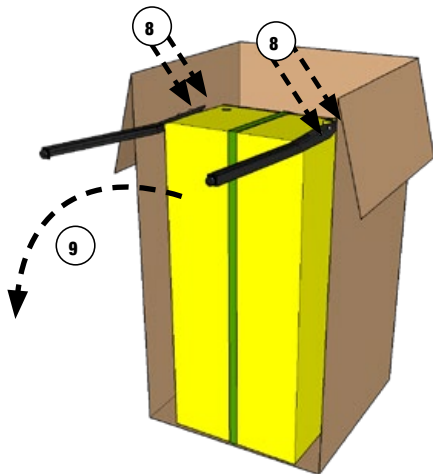
1. Locate the side labeled "TRUCK THIS SIDE ONLY". The bottom of the game faces this side.
2. Open the top box flaps by pulling hard in an upward motion on each flap. If the flaps are taped, cut the tape first, taking care to avoid the box staples.



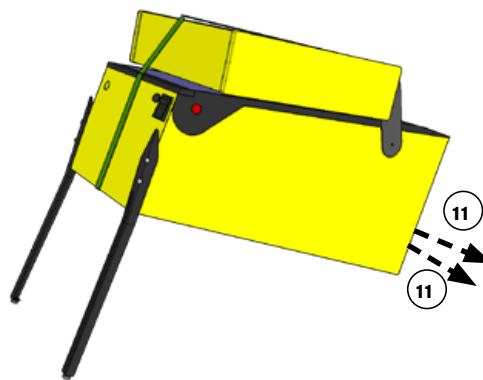
3. Remove the four (4) foam pieces and two (2) narrow box tubes which contain the four (4) identical legs with levelers.
4. DO NOT CUT STRAPPING YET. Keep backbox secured in the down position.
5. With the utility knife, carefully cut down the left and right corners of the box.



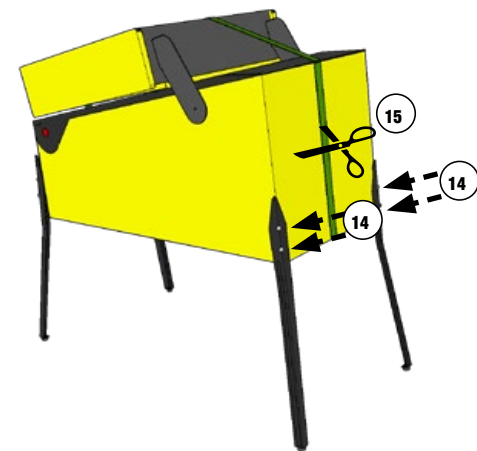
6. Let the face fall forward and remove the entire side by carefully cutting the bottom.
7. With the game still in its folded position, use a 5/8" wrench to loosen and remove the 2 leg bolts on each side of the front cabinet. Ensure the leg levelers are screwed all the way into the legs.



8. Install front legs using the bolts removed from the cabinet. Secure tightly.
9. Have someone help you carefully set the game down on the front legs.



10. Set aside the open box.
11. With a 5/8" socket wrench, loosen and remove the 2 leg bolts on each side of the rear cabinet, 4 total.



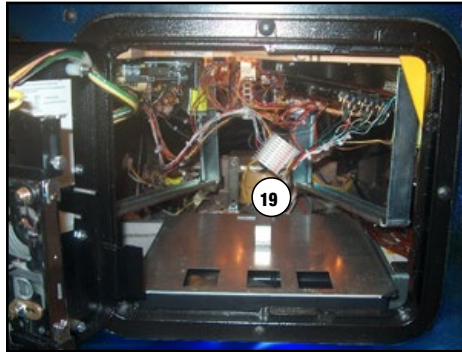
12. Using supports or two people, prop the rear of the cabinet up.
13. Ensure the rear leg levelers are screwed all the way into the legs.
14. Install rear legs using the 4 bolts removed from step 11.



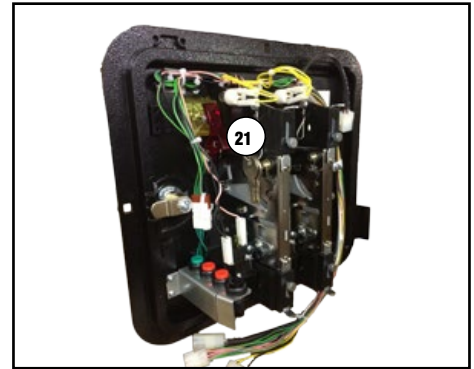
FIRST-TIME SETUP CONTINUED



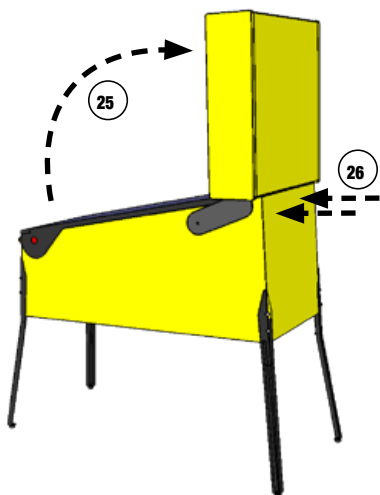
- 15. Cut nylon strapping and remove protective strap corner guards.
- 16. Locate the factory keys, either on the shooter rod or taped to the playfield glass.
- 17. Using snips, cut the tie-wrap securing the keys if required. One set of keys is for the front coin door, the other set of keys is for accessing components in the backbox.



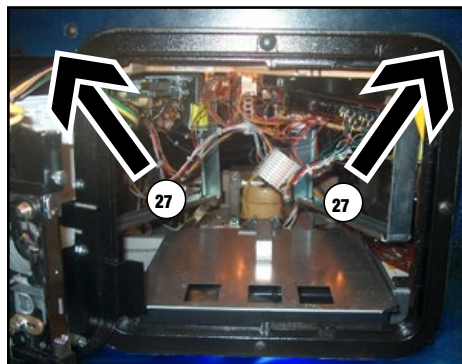
- 18. Open the front coin door.
- 19. Reach into the game and remove the retaining clip at the rear of the cash box.
- 20. Remove the cash box lid by sliding it toward you.



- 21. Store the backbox keys, if desired, on the metal hook located in the coin door.
- 22. Locate and remove the pinballs, plumb bob, and backbox bolts from the cash box.
- 23. Replace the cash box lid and retaining clip for future use.



- 24. Locate the two (2) backbox bolts in the cash box.
- 25. Carefully raise backbox to upright position while ensuring that cables are not pinched.
- 26. Use the 5/8" wrench to install the two (2) backbox bolts to secure the backbox as indicated on the back of the cabinet.



- 27. Reach inside the cabinet and lift the two latches located on either side of the coin door.
- 28. Remove the front top molding.



- 29. Remove the playfield glass by sliding it toward you and carefully place it in a safe location. Remove all playfield shipping tie downs, shipping blocks, and packing foam, and follow any game-specific unpacking instructions included in the playfield, if present.

CAUTION: PLAYFIELD GLASS IS MADE FROM HIGH-STRENGTH TEMPERED GLASS. TEMPERED GLASS IS SENSITIVE TO EXTREME TEMPERATURE SHIFTS AND CORNER NICKS, WHICH CAN CAUSE THE GLASS TO FAIL CATASTROPHICALLY. TAKE CARE TO STORE THE GLASS ON A SOFT, ROOM-TEMPERATURE SURFACE AND PREVENT THE CORNERS FROM BEING DAMAGED.

FIRST-TIME SETUP CONTINUED

30. If pinballs were already installed into the lower ball trough, remove them before lifting the playfield.
31. Grasp the lower arch between the flippers, and firmly but gently pull directly up to raise the playfield 8 to 12 inches.
32. While holding the playfield up, pull the playfield toward you until the two playfield supports are over the front edge of the cabinet.
33. Rest the playfield on the front edge of the cabinet.
34. Raise the playfield and rest it against the backbox.
35. Visually inspect all cabinet cables and connector terminations; ensure no wires or cables are pinched and that cable harnesses are not pulled tight.
36. Locate the plumb bob in the parts bag in the cash box.
37. Slide plumb bob onto the hanger wire. Note: the vertical position of the plumb bob affects tilt sensitivity - higher makes the game more sensitive to tilting.
38. Tighten the thumb screw finger-tight.
39. Install the correct number of pinballs. Refer to the decal on the lock down assembly for the correct number of pinballs.

LOCATING, LEVELING, AND FINAL SETUP

1. Select a location that is indoors, out of direct sunlight, and climate controlled. Excessive moisture/humidity can cause long-term damage to your game.
2. Adjust the front or rear levelers as necessary to position the playfield level bubble, located on the front right of the playfield next to the shooter lane, to float between the two (2) black lines. This will place the playfield at the recommended 6.5° pitch. Playfield angles greater than 6.5° can be achieved by turning out the rear leg leveler(s) for increased difficulty and faster gameplay.
3. Use a pinball to roll down the center of the playfield for side-to-side leveling, or use an external bubble level, digital level, or smartphone level app.
4. Plug into a grounded outlet and check for proper operation through DIAGNOSTICS.
5. Check the coin door: With the door closed, insert coins to verify proper operation.
6. Play game: Check for satisfactory operation and adjust game volume (push the Red Buttons inside the Coin Door).
7. If desired, perform any game diagnostics, game adjustments, and pricing settings at this time.

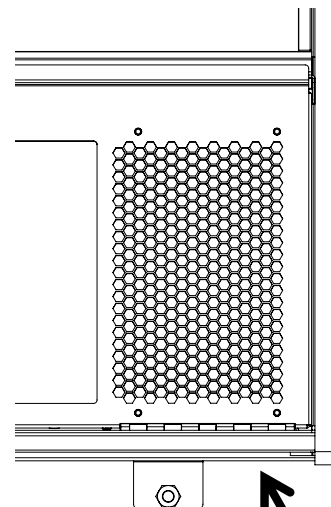


SPIKE PINBALL SOFTWARE UPDATE INSTRUCTIONS

1. Obtain game software update file (filename ends in “.spk”) from www.sternpinball.com or from authorized Stern distributor.
2. Place game software update file (“.spk”) in root directory of a blank FAT32-formatted USB flash drive
3. Use backbox power switch to turn off game
4. Plug in USB flash drive to CPU board USB connector (CN20 or CN21). Refer to www.sternpinball.com
5. Turn on game
6. The game will automatically begin software update
7. Select the correct .spk update file from list.
8. Press Enter on the service switches to start update
9. When the display indicates “Update Complete”, turn off game
10. Remove USB flash drive from CPU board
11. Turn game on to complete the update and play pinball!
12. Detailed instructions and troubleshooting tips are available in the game manual, www.sternpinball.com and authorized Stern distributors.

POWER SWITCH

The game’s power switch is located on the right-hand side underneath the backbox.



ON/OFF Switch

1.2 ADJUSTMENTS MENU

STANDARD ADJUSTMENTS

Perform the below steps to review the adjustments.

Enter the Service Menu, then enter the Standard Adjustments Menu.

Press SELECT to access the Service Menu. Press BACK to exit or escape at any time.

Press [>]. Go to the ADJ icon. Press SELECT.

ID	Adjustment Name	Default Setting
1	REPLAY TYPE	AUTO
2	REPLAY PERCENTAGE	10%
3	REPLAY AWARD	CREDIT
4	REPLAY LEVELS	1
5	AUTO REPLAY START	20,000,000
6	DYNAMIC REPLAY START	60,000,000
7	REPLAY LEVEL #1	15,000,000
8	REPLAY LEVEL #2	30,000,000
9	REPLAY LEVEL #3	45,000,000
10	REPLAY LEVEL #4	60,000,000
11	REPLAY BOOST	YES
12	SPECIAL LIMIT	1
13	SPECIAL PERCENTAGE	10%
14	SPECIAL AWARD	CREDIT
15	FREE GAME LIMIT	5
16	EXTRA BALL LIMIT	5
17	EXTRA BALL PERCENTAGE	25%
18	GAME PRICING	USA 11
19	MATCH PERCENTAGE	9%
20	MATCH AWARD	CREDIT
21	BALLS PER GAME	3
22	TILT WARNINGS	2
23	TILT DEBOUNCE	1000
24	CREDIT LIMIT	30
25	ALLOW HIGH SCORES	YES
26	HIGH SCORE AWARD	CREDIT
27	GRAND CHAMPION AWARDS	1
28	HIGH SCORE #1 AWARDS	1
29	HIGH SCORE #2 AWARDS	0
30	HIGH SCORE #3 AWARDS	0
31	HIGH SCORE #4 AWARDS	0
32	GRAND CHAMPION SCORE	75,000,000
33	HIGH SCORE #1	55,000,000
34	HIGH SCORE #2	40,000,000
35	HIGH SCORE #3	30,000,000
36	HIGH SCORE #4	25,000,000
37	HSTD INITIALS	3 INITIALS

FEATURE ADJUSTMENTS

Each table has feature adjustments specific to the characteristics of that game. To access feature adjustments enter the Service Menu and then enter the Adjustments Menu.

Press SELECT to access the Service Menu. Press BACK to exit or escape at any time.

Press [>]. Go to the ADJ icon. Press SELECT.

Go to the S.P.I. icon. Press SELECT.

STANDARD ADJUSTMENT #1 appears with the adjustment name flashing. While the adjustment name is flashing press [<] [>] to move between adjustments.

To change the adjustment setting press SELECT. While the adjustment setting is flashing, press [<] [>] repeatedly until the desired setting appears. Press the SELECT button to “install” the change. The adjustment comment (bottom line) will indicate if the factory default setting is selected or will display INSTALLED if the change is not a factory default setting.

ID	Adjustment Name	Default Setting
38	HSTD RESET COUNT	2000
39	FREE PLAY	NO
40	LANGUAGE	ENGLISH
41	PLAYER LANGUAGE SELECT	YES
42	CUSTOM MESSAGE	ON
43	KNOCKER VOLUME	NORMAL
44	GAME START	NO
45	GAME RESTART	YES
46	BALL SAVE TIME	0:05
47	TIMED PLUNGER	OFF
48	FLIPPER BALL LAUNCH	OFF
49	COINDOOR BALL SAVER	OFF
50	COMPETITION MODE	NO
51	FAST BOOT	YES
52	Q24 OPTION	COIN METER
53	TICKET DISPENSER	NO
54	PLAYER COMPETITION MODE	YES
55	LOCATION ID	0
56	GAME ID	0
57	TIME FORMAT	12-HOUR
58	COIN INPUT DELAY	30
59	LOST BALL RECOVERY	YES
60	COINDOOR DISABLE TILT	NO
61	COINDOOR OPEN NODE BUS POWER	NO
62	PLAY ATTRACT TUTORIAL VIDEOS	YES
63	EXTERNAL VOLUME KNOB FUNCTION	HEADPHONE VOLUME ONLY
64	MUTE CABINET WHEN HEADPHONES DETECTED	YES
65	GI LED BRIGHTNESS	100%
66	GI LED MAX BRIGHTNESS	255
67	INSERT LED BRIGHTNESS	100% %
68	INSTER LED MAX BRIGHTNESS	255%
69	FLASHER LED BRIGHTNESS	100%
70	FLASHER LED MAX BRIGHTNESS	255
71	ATTRACT MODE BACKBOX BRIGHTNESS	100%
72	GAMEPLAY BACKBOX BRIGHTNESS	100%
73	COINDOOR OPEN BACKBOX BRIGHTNESS	2%

Go to the game icon. Press SELECT.

FEATURE ADJUSTMENT #1 appears with the adjustment name flashing. With the adjustment name flashing press [<] [>] to move between adjustments. Feature adjustments are changed similarly to standard adjustments using the SELECT button to choose options and the [<] [>] buttons to cycle through available settings.

1.3 TRANSPORTING THE GAME

When transporting the game, such as in the back of a truck or with a hand truck, the game's backbox must be secured to prevent damage to the side rails.

1. SECURE THE BACKBOX

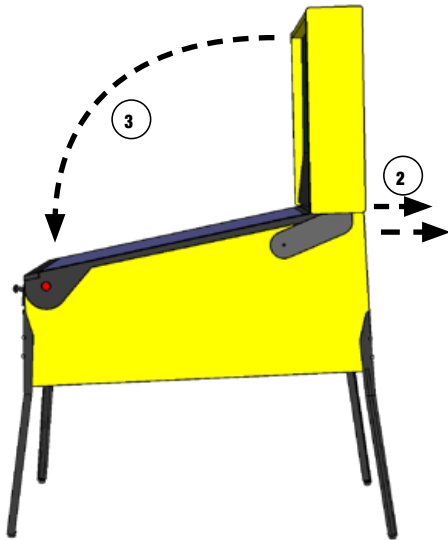
1. Ensure that the pinballs are removed from the playfield, and secure any free-moving mechanisms that may get damaged in transport

TOOLS REQUIRED ⓘ

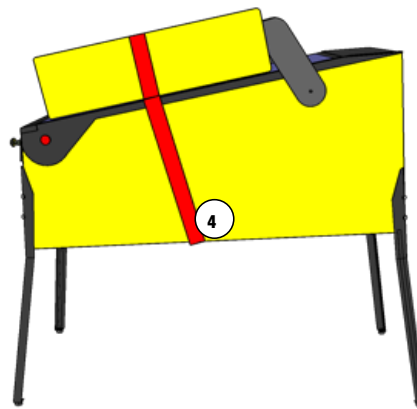
- STRAP (500LB OR GREATER)
- AN ASSISTANT
- HAND TRUCK

CAUTION ⚠

NEVER TRANSPORT THE GAME IN A MOVING VEHICLE WITH THE BACKBOX RAISED! TWO PEOPLE ARE REQUIRED TO REMOVE THE LEGS!

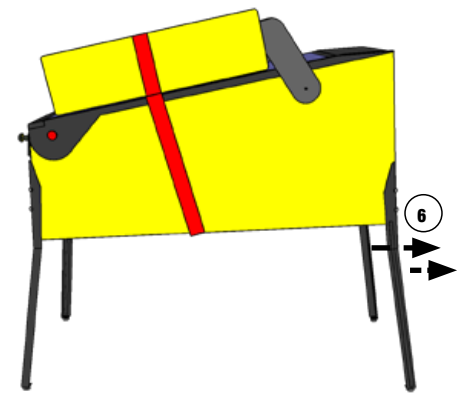


2. Remove the backbox securing bolts
3. Carefully lower the backbox onto the side rails. Use a piece of cardboard or suitable padding between the backbox and the game.

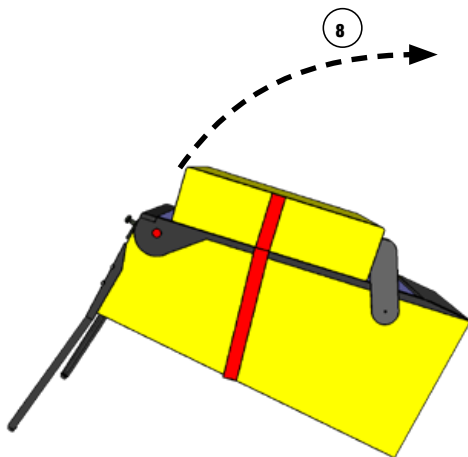


4. Securely strap the back box to the game
5. The game may be transported with the legs on. If the legs must be removed, follow the remaining steps.

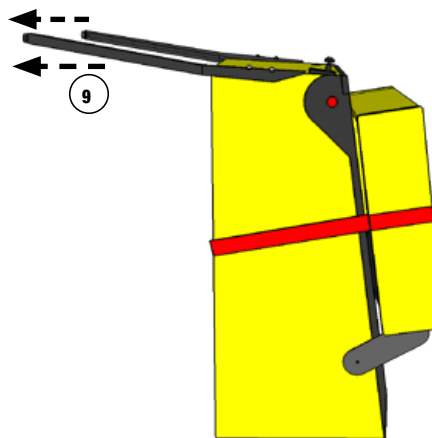
2. REMOVE THE LEGS AND STAND UP



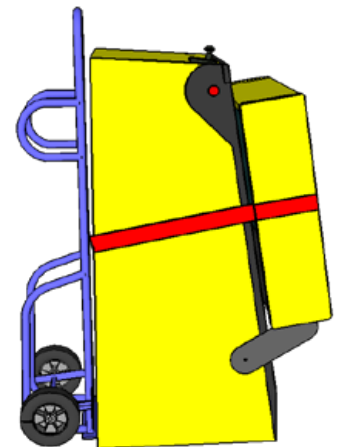
6. Remove the legs, rear legs first. Use a stool or a friend to support the rear of the game.
7. Rest the rear of the game on the ground.



8. Stand the game up on its back.



9. Remove the front two legs.



10. Secure all loose parts and transport with a hand truck in the upright position.

1.4 MAINTENANCE

REGULAR MAINTENANCE - (MONTHLY/500 GAMES)

- Remove the playfield glass
- Enter the software diagnostics menu, start lamp test, then clean and wax the playfield.
 - While cleaning the playfield, identify and repair malfunctioning lights, loose parts, cracked plastics and worn rubber parts.
- While in diagnostics, enter the switch test (Select the "SW" Icon, then "TEST" Icon).
 - Use a pinball to actuate all switches and verify the correct switch registers with the switch test.
 - The game will play a sound to confirm the switch.
- Lift the playfield and inspect all assemblies for loose parts, broken wires or excessive wear. Look at the bottom of the cabinet for any parts that may have worked loose, then find the source.
- Check all coin door mechanisms and bill acceptor (if installed) for proper operation
- Play the game to ensure all coils and features are working
- Check the playfield to ensure it is level and set to the proper pitch using the bubble level on the right side wood rail.
- Check game audits: Replay % and Ball Time and note abnormal values which can indicate problems.
- Ensure game volume is set appropriately for the location.
- Clean both sides of the playfield glass and reinstall.
- Check and clean pinballs and replace if excessively worn or scuffed. Dirty pinballs accelerate game wear.

OVERHAUL MAINTENANCE - (5000 GAMES)

- Verify latest game software is installed
- Check flippers for excessive wear. Excessive flipper sloppiness (vertical or horizontal) or weakness indicates a flipper rebuild is required.
- Clean machine inside and out and check leg levelers for free operation.
- Visual check for loose or broken playfield and cabinet parts and repair as necessary.
- Electrical check: Plug into grounded outlet and check for proper operation through DIAGNOSTICS.
- Replace worn or dirty rubbers.
- Replace pinballs.
- Check all playfield switches with a pinball.
- Check all settings (refer to manual for factory settings).
- Check coin door: With door closed, insert coins to verify proper operation.
- Check for proper adjustment of the plumb bob tilt.
- Play game: Check for satisfactory operation.

COMMON PINBALL TOOLS

- Common nut drivers (1/4", 5/16", 11/32", 3/8")
- Phillips screwdriver
- Standard Allen wrench/Hex key set
- 3/8" Socket with ratchet
- Adjustable wrench (5/8" & 9/16")
- 6" Torpedo Level (or use a pinball)
- Flashlight or headlamp
- Soldering Iron (60w with flat tip), lead-free solder
- Wire cutter
- Wire stripper
- Long nose ("needle nose") pliers

1.5 MAINTENANCE KITS

Description	Part Number
Godzilla Maintenance Kit <ul style="list-style-type: none"> • 8 oz Pinball Playfield Wax (Novus # 2) (675-0003-01) • Standard Pinball (260-5000-00) • Cleaning Cloth • All Playfield Rubber Rings • Spare Fuses 	502-6002-T5
Godzilla Deluxe Maintenance Kit <ul style="list-style-type: none"> • All standard kit items, plus: • Flipper Rebuild Kits, Left and Right (500-6307-10,-00) 	502-6003-T5
Godzilla Playfield Plastics Kit	803-5000-T5
Godzilla Playfield Decals Kit	802-5000-T5
Godzilla Backbox Decal Left	820-76T5-01
Godzilla Backbox Decal Right	820-76T5-02
Godzilla Cabinet Decal Left	820-76T5-03
Godzilla Cabinet Decal Right	820-76T5-04
Godzilla Cabinet Decal Front	820-76T5-05
Godzilla Playfield, Bare	830-5100-T5
Godzilla Translite	830-8427-T5

1.6 COMMON PARTS

Description	Part Number
8 oz Pinball Playfield wax (Novus # 2)	675-0003-01
Standard Pinball, 1-1/16 in	260-5000-00
Flipper Rebuild Kit Left (Standard)	500-6307-10
Flipper Base Plate Kit Left	515-6617-01
Flipper Rebuild Kit Right	500-6307-00
Flipper Base Plate Kit Right	515-6617-00
Memory Card - SD 8GB	970-0140-08
Memory Card - MicroSD	970-0141-32
Wi-Fi Adapter	509-2013-00

2. SPIKE SYSTEM AND NODE GUIDE

2.1 SPIKE SYSTEM OVERVIEW

The SPIKE Pinball system is a rugged, distributed, and embedded platform custom-designed for the rigors of the pinball machine environment. SPIKE takes advantage of modern technologies to deliver an immersive pinball experience that supports modern features, reduces cabling, and increases serviceability and reliability.

A Stern Pinball machine based on the SPIKE system will have at least two nodes networked together with the SPIKE node bus, a custom industrial pinball control bus that is designed around industry standards and optimized for the pinball environment. The primary CPU node is networked to one or more input/output nodes over standard Category 5 UTP (unshielded twisted pair) ethernet cabling.

There are five primary types of nodes that are found in the game.

- CPU node (Node 0) - The primary node that controls other nodes in the system. Contains the primary game software for the system and provides SPIKE node bus power for other nodes.
- Cabinet 48V node (Node 1) - Specialized node with specific inputs and outputs for coin doors, tilt mechanisms, and other bottom-cabinet devices.
- 48V playfield node - Controls high power devices such as coils and flashers, and also supports a few switch and low-power outputs. Powered by the system 48V power supply.
- Light and switch node - High-density switch and low-power LED outputs, bus-powered from the node bus. These boards contain as many as 32 switch inputs and light outputs.
- Node extensions - These sub-nodes add additional low-power input and outputs to a specific Power or I/O node and are connected with simple serial bus.

2.2 NODE BUS CABLING

The SPIKE node bus utilizes standard Ethernet-style RJ45 8-pin modular jacks, and off-the-shelf Category 5e or better ethernet cabling. The node bus is electrically different from Ethernet and does not utilize Ethernet or TCP/IP protocols or signaling standards. SPIKE nodes are not compatible with standard computer networking equipment.

CAUTION: *Plugging a SPIKE Node or CPU board into a standard Ethernet port may damage one or both devices and void your warranty.*

2.3 SYSTEM POWER

The SPIKE System is powered from an 48V DC power supply bus. Each SPIKE node converts this voltage to lower voltages required by the node and its specific components. A SPIKE 48V node typically controls high-power outputs such as game coil mechanisms and high-brightness LEDs. These powered nodes are supplied directly with 48V system power. SPIKE standard I/O nodes are low-power nodes that read switch inputs and output to standard-brightness LEDs. Standard I/O nodes use the node bus power, which is supplied by the main CPU node over the node bus modular jack connectors.

2.4 SPIKE NODE ADDRESSES

Each SPIKE node has a unique address ranging from 0 to 15. Not all addresses are used in all games. Nodes can be of the same part number, so the address is specified on the DIP switches on each node. When replacing a node, be certain that the correct address is set. Nodes can have 3-position and 4-position DIP switches. Refer to the appropriate table to set the address for each type of Node. The correct address for a node can be found in the SPIKE node reference section of the manual or in the game diagnostic software. Address 0 is reserved for the backbox CPU node, where the game software resides. Address 1 is reserved for the cabinet node, located inside the coin door. These two nodes do not have DIP switches as their address is not configurable.

Address	1	2	3
8	OFF	OFF	OFF
9	OFF	OFF	ON
10	OFF	ON	OFF
11	OFF	ON	ON
12	ON	OFF	OFF
13	ON	OFF	ON
14	ON	ON	OFF
15	ON	ON	ON

SPIKE node addresses for nodes with 3-position DIP switches. Addresses 0-7 are not used by SPIKE nodes with 3-position DIP switches.

Address	1	2	3	4
8	OFF	OFF	OFF	OFF
9	OFF	OFF	ON	OFF
10	OFF	ON	OFF	OFF
11	OFF	ON	ON	OFF
12	ON	OFF	OFF	OFF
13	ON	OFF	ON	OFF
14	ON	ON	OFF	OFF
15	ON	ON	ON	OFF

SPIKE node addresses for nodes with 4-position DIP switches. Addresses 0-7 are reserved for fixed-function nodes and do not require configuration.

SPIKE SYSTEM AND NODE GUIDE CONTINUED

2.5 SPIKE NODE PROGRAMMING

The SPIKE nodes are smart nodes that have on-board processors and run embedded code. The nodes are programmed automatically by the CPU node whenever software updates are installed to the CPU. When replacing a node, the CPU node will detect and update the node to the latest software with no user intervention. Always replace nodes with the power to the game turned OFF.

2.6 SPIKE SYSTEM TERMINOLOGY

MULTI GENERAL ILLUMINATION LIGHTING

General Illumination Lighting is two or more lights powered by one control source. These are often a number of LEDs connected in parallel and the system controls these as one large LED. A missing LED will not affect these circuits, however a shorted LED can cause the entire string of LEDs to turn off.

SINGLE LIGHTS

Single lights and LEDs are direct-controlled from SPIKE node boards. A common power source is grounded by individual transistors to turn individual LEDs on and off. Groups of LEDs, usually by node connector, share a common power source, so if a group of LEDs is out, check the wiring for the power source.

FLASHERS

SPIKE games treat flashers the same as single LEDs that draw more power. Flashers are controlled from the same circuits that power regular lights.

DRIVERS

A driver is a circuit that controls a high power-device such as a coil, magnet, or motor. Each device has a common 48V power source that is then connected to ground by a dedicated control transistor. Each driver is protected against shorting, static electricity, and over-current conditions. Take caution as 48V is always present on a device even when it is not energized.

OPTOS

Certain types of optical switches (“optos”) require external signal conditioning. For these optos, they will interface to a SPIKE node via an opto signal conditioning board. Other optical switches connect directly to the Spike node board.

CAUTION: *Unless explicitly directed by an Authorized Stern Repair technician, perform ALL work on your pinball machine with the power disabled!*

INPUT/OUTPUT PROTECTIONS

SPIKE features built-in short-circuit, static electricity, and other protections to maximize reliability. If an LED, coil or other device shorts, it will be disabled but will not shut down the entire system in most circumstances. Groups of LEDs, coils, and switches often share common power supplies or other circuits, so it is possible that a bad device will affect the group of related devices and require removal or repair to fix the group. The system diagnostics will inform the technician of shorted or otherwise malfunctioning devices whenever possible. While the system is protected against permanent damage, it is strongly recommended to repair or replace these bad components as soon as possible to minimize downtime and maximize game earnings.

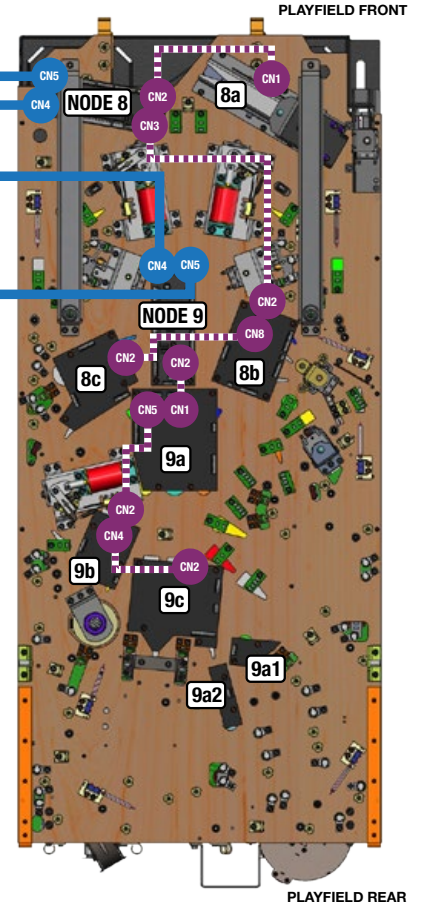
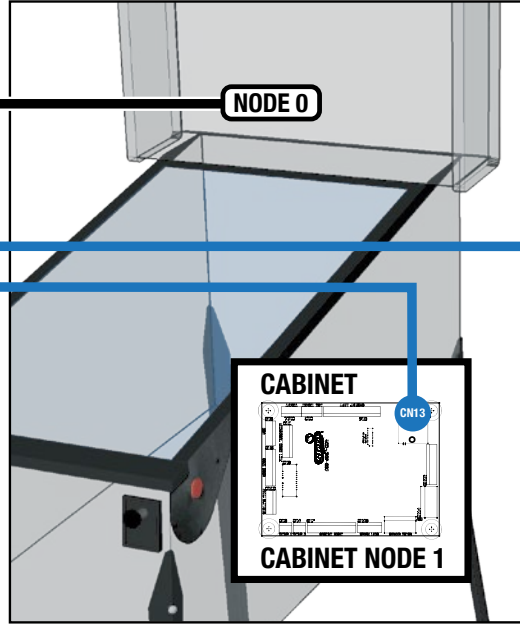
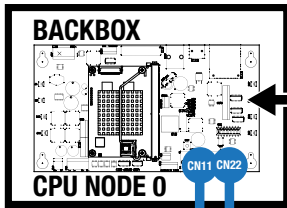
2.7 COMMON SPIKE NODE BOARDS

Description	Type	Part Number
SPIKE CPU Node	Node	509-1003-01
Cabinet Node	Node	520-6967-72
Playfield 48V Core-Driver Node	Node	520-7017-72
Trough Serial Opto Receiver Extension	Extension	520-8516-00

3. LIGHT, SWITCH, AND DRIVER REFERENCE



TM & © TOHO CO., LTD. TOHO



- Node Bus Cable (RJ45)
604-5004-08-XX
 - Serial Data Cable
036-8054-XX
- When replacing node boards, ensure DIP address switches are set correctly!

3.1 SPIKE NODE BOARDS

ID	DIP Address	Description	Location	Part Number
Node 0	n/a	SPIKE 2 CPU Node	Backbox	509-1003-01
Node 1	n/a	Cabinet Node	Cabinet	520-6967-72
Node 4	n/a	QR Reader Node	Bottom Arch	509-2020-00
Node 8	OFF-OFF-OFF-OFF	Playfield 48V Core-Driver Node	Lower Playfield	520-7017-72
8a	n/a	Trough Serial Opto Receiver Extension	Playfield	520-8516-00
8b	n/a	PCB Lower Right LED	Playfield	520-8533-00
8c	n/a	PCB Lower Left LED	Playfield	520-8532-00
Node 9	OFF-OFF-ON-OFF	Playfield 48V Core-Driver Node	Playfield	520-7017-72
9a	n/a	PCB Center LED	Playfield	520-8534-00
9a1	n/a	PCB 1RGB 2W LED	Playfield	520-8538-00
9a2	n/a	PCB 4W LED	Playfield	520-8539-00
9b	n/a	PCB 1RGB 5W LED	Playfield	520-8536-00
9c	n/a	PCB SW and LED	Playfield	520-8537-00
Node 12	ON-OFF-OFF-OFF	Topper (Optional)	Topper	520-8511-00

3.2 DRIVER REFERENCE

ID	Name	Node	Connector	Ret. Pin	Ret. Wire	Voltage	V+ Pin	V+ Color	Location	Type	Address	Part Number
1	Trough	8	CN8	7	ORG GRY	48V	1-4	GRY ORG	Playfield	Coil - 27-1500	8-DR-1	090-5004-ND
2	Auto Plunger	8	CN8	9	ORG WHT	48V	1-4	GRY ORG	Playfield	Coil - 23-800	8-DR-4	090-5001-ND
3	Left Flipper	8	CN8	6	ORG YEL	48V	1-4	GRY ORG	Playfield	Coil - 22-1080	8-DR-5	090-5032-ND
4	Right Flipper	8	CN8	5	ORG GRN	48V	1-4	GRY ORG	Playfield	Coil - 22-900	8-DR-0	090-5020-20-ND
5	Left Slingshot	8	CN8	11	ORG BLU	48V	1-4	GRY ORG	Playfield	Coil - 26-1200	8-DR-3	090-5044-ND
6	Right Slingshot	8	CN8	10	ORG VIO	48V	1-4	GRY ORG	Playfield	Coil - 26-1200	8-DR-2	090-5044-ND
7	Shaker Motor	1	CN16	1	BLU	48V	5	RED	Cabinet	Motor	1-DR-0	041-5029-04
8	Up Left Flip	8	CN7	3	YEL BLK	48V	1	GRY ORG	Playfield	Coil - 23-1100	8-DR-6	090-5030-ND
9	Pop Bumper	8	CN7	4	YEL BRN	48V	1	GRY ORG	Playfield	Coil - 26-1200	8-DR-7	090-5044-ND
10	Right Scoop	8	CN7	2	YEL RED	48V	1	GRY ORG	Playfield	Coil - 26-1200	8-DR-8	090-5044-ND
11												
12												
13												
14												
15												
16	Godzilla Magnet	9	CN7	3	BRN BLK	48V	1	GRY BRN	Playfield	Coil - 22-650	9-DR-6	511-5065-ND
17												
18												
19												
20												
21												
22												
23												
24												
25												
26												
27												
28												
29												
30												
31												
32												
33	Coin Meter	1	CN3	2	BLK	12V	1	RED	Cabinet	Digital Out	1-DR-2	500-9946-00
34	Ticket Meter	1	CN4	2	BLK	12V	1	RED	Cabinet	Digital Out	1-DR-3	500-9946-00
35	Ticket Dispenser	1	CN11	3		12V	1		Cabinet	Digital Out	1-DR-4	

Continued on next page...



DRIVER REFERENCE CONTINUED

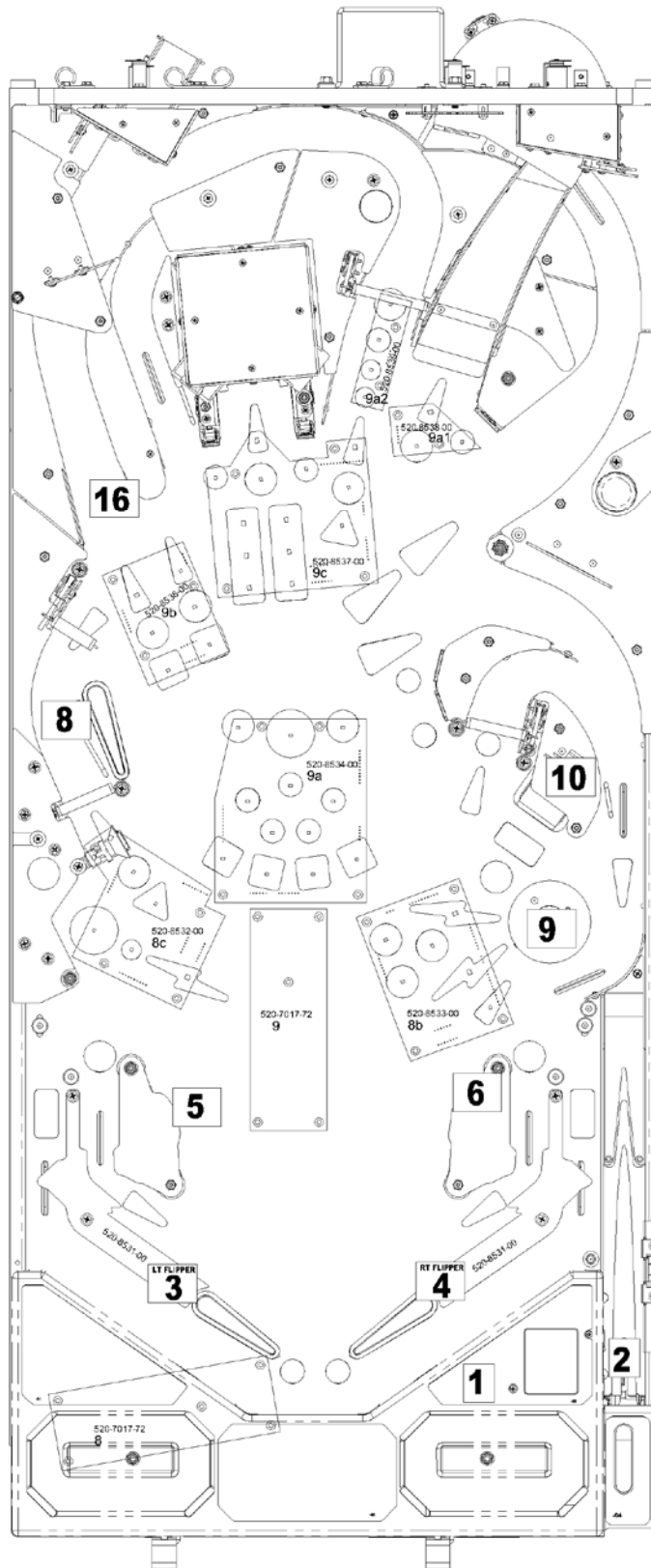


Figure 3.2.1. Playfield driver locations (top view).

3.3 SWITCH REFERENCE

ID	Name	Node	Node Ext	Conn.	Input Pin	Input Wire	GND Pin	Ground Wire	Location	Type	Address	Part Number
1	Left Outlane	8	-	CN11	4	LGN RED	11-12	BLK ORG	Playfield	Rollover	8-SW-17	500-9935-04
2	Left Return Lane	8	-	CN11	5	LGN ORG	11-12	BLK ORG	Playfield	Rollover	8-SW-18	500-9935-03
3												
4												
5	Right Return Lane	8	-	CN11	6	LGN YEL	11-12	BLK ORG	Playfield	Rollover	8-SW-19	500-9935-04
6	Right Outlane	8	-	CN11	7	LGN BLU	11-12	BLK ORG	Playfield	Rollover	8-SW-20	500-9935-04
7	Left Slingshot	8	-	CN10	4	GRY BLU	8	BLK GRN	Playfield	Leaf	8-SW-30	180-5231-00
8	Right Slingshot	8	-	CN10	3	GRY VIO	8	BLK GRN	Playfield	Leaf	8-SW-29	180-5231-00
9	Left Flipper Button	8	-	CN9	4	GRY BRN	7	BLK GRN	Cabinet	Leaf	8-SW-25	180-5164-01
10	Right Flipper Button	8	-	CN9	3	GRY RED	7	BLK GRN	Cabinet	Leaf	8-SW-24	180-5160-01
11	Left Flipper EOS	8	-	CN10	6	GRY YEL	9	BLK GRN	Playfield	Leaf	8-SW-16	180-5149-00
12	Right Flipper EOS	8	-	CN10	5	GRY GRN	9	BLK GRN	Playfield	Leaf	8-SW-31	180-5149-00
13	UP Left Flip Button	8	-	CN9	6	VIO	7	BLK VIO	Playfield	Leaf	8-SW-27	180-5164-01
14												
15	Trough 6	8	8a	CN14	-	-	-	-	Playfield	Opto	8-SW-32	520-5344-00 tx 520-8516-00 rx
16	Trough 5	8	8a	CN14	-	-	-	-	Playfield	Opto	8-SW-33	520-5344-00 tx 520-8516-00 rx
17	Trough 4	8	8a	CN14	-	-	-	-	Playfield	Opto	8-SW-34	520-5344-00 tx 520-8516-00 rx
18	Trough 3	8	8a	CN14	-	-	-	-	Playfield	Opto	8-SW-35	520-5344-00 tx 520-8516-00 rx
19	Trough 2	8	8a	CN14	-	-	-	-	Playfield	Opto	8-SW-36	520-5344-00 tx 520-8516-00 rx
20	Trough 1	8	8a	CN14	-	-	-	-	Playfield	Opto	8-SW-37	520-5344-00 tx 520-8516-00 rx
21	Trough Jam	8	8a	CN14	-	-	-	-	Playfield	Opto	8-SW-38	520-5344-00 tx 520-8516-00 rx
22	Shooter Lane	8	-	CN10	2	GRY WHT	7	BLK GRN	Playfield	Rollover	8-SW-28	180-5157-01
23	UP Left Flipper EOS	8	-	CN12	8	PNK BLK	10	BLK RED	Playfield	Leaf	8-SW-14	180-5149-00
24												
25												
26												
27	Maser Target	8	-	CN12	4	WHT ORG	10	BLK RED	Playfield	Leaf, Target	8-SW-10	515-9783-00-00
28	Left Spinner	8	-	CN12	3	WHT RED	10	BLK RED	Playfield	Micro	8-SW-9	180-5010-04
29	Skill Shot	8	-	CN12	2	WHT BRN	10	BLK RED	Playfield	Micro	8-SW-8	180-5087-00
30												
31	Pop Bumper	8	-	CN12	5	WHT YEL	10	BLK RED	Playfield	Leaf	8-SW-11	180-5232-00
32												
33	Mecha Exit Top	8	-	CN12	6	WHT GRN	10	BLK RED	Playfield	Rollover	8-SW-12	500-9935-04
34	Mecha Exit Bottom	8	-	CN12	7	WHT BLU	10	BLK RED	Playfield	Rollover	8-SW-13	500-9935-03
35	Right Scoop	8	-	CN12	9	WHT VIO	10	BLK RED	Playfield	Micro	8-SW-15	180-5209-00
36												
37	Right Spinner	9	-	CN10	2	GRY BLK	7/8/9	BLK BLU	Playfield	Micro	9-SW-28	180-5010-04
38	Shield Target Left	9	-	CN10	3	GRY BRN	7/8/9	BLK BLU	Playfield	Leaf, Target	9-SW-29	515-9783-00-00
39												
40	Shield Target Right	9	-	CN10	5	GRY ORG	7/8/9	BLK BLU	Playfield	Leaf, Target	9-SW-31	515-9783-00-00
41												
42												
43												
44												

Continued on next page...

SWITCH REFERENCE CONTINUED

ID	Name	Node	Node Ext	Conn.	Input Pin	Input Wire	GND Pin	Ground Wire	Location	Type	Address	Part Number
45												
46												
47	Pwrline Left Tgt	9	-	CN12	7	WHT BLU	10	BLK WHT	Playfield	Leaf, Target	9-SW-13	515-9785-00-00
48	Pwrline Center Tgt	9	-	CN12	8	WHT VIO	10	BLK WHT	Playfield	Leaf, Target	9-SW-14	515-9785-00-00
49	Pwrline Right Tgt	9	-	CN12	9	WHT GRY	10	BLK WHT	Playfield	Leaf, Target	9-SW-15	515-9785-00-00
50												
51	Godzilla Target	9	-	CN12	5	WHT YEL	10	BLK WHT	Playfield	Leaf, Target	9-SW-11	515-9785-00-00
52	Building Hit Opto	9	-	CN12	6	WHT GRN	10	BLK WHT	Playfield	Opto	9-SW-12	515-0215-00 tx 515-0215-01 rx
53	Building Exit	9	-	CN12	4	WHT ORG	10	BLK WHT	Playfield	Rollover	9-SW-10	500-9935-03
54												
55												
56												
57												
58	Big Loop Enter	9	-	CN11	7	TAN BLU	11/12	BLK GRY	Playfield	Rollover	9-SW-20	500-9935-04
59	Big Loop Exit	9	-	CN12	3	WHT RED	10	BLK WHT	Playfield	Opto	9-SW-9	515-0215-00 tx 515-0215-01 rx
60	Top Spinner	9	-	CN11	8	TAN VIO	11/12	BLK GRY	Playfield	Micro	9-SW-21	180-5010-04
61												
62	L Ramp Made Opto	9	-	CN12	2	WHT BRN	10	BLK WHT	Playfield	Opto	9-SW-8	515-0215-00 tx 515-0215-01 rx
63												
64												
65	R Ramp Made Opto	9	-	CN11	4	TAN ORG	11/12	BLK GRY	Playfield	Opto	9-SW-17	515-0215-00 tx 515-0215-01 rx
66												
67												
68												
69												
70	Lockdown Button	1	-	CN7	8	TAN WHT	5	BLK WHT	Cabinet	Leaf	1-SW-2	180-5218-00
71												
72												
73	Start Button	1	-	CN6	10	GRY	5	BLK WHT	Cabinet	Micro	1-SW-11	500-1060-44-LED
74	Tournament Start Button	1	-	CN6	9	GRY WHT	5	BLK WHT	Cabinet	Micro	1-SW-12	500-6587-06-TL
75												
76	Left Coin	1	-	CN5	9	PNK BRN	3	BLK	Cabinet	Micro	1-SW-16	
77	Right Coin	1	-	CN5	7	PNK ORG	3	BLK	Cabinet	Micro	1-SW-18	
78	Center Coin	1	-	CN5	8	PNK RED	3	BLK	Cabinet	Micro	1-SW-17	
79	Fourth Coin	1	-	CN5	6		-		Cabinet	-	1-SW-19	
80	Fifth Coin	1	-	CN5	5		-		Cabinet	-	1-SW-20	
81	Tilt Pendulum	1	-	CN6	7	WHT	5	BLK WHT	Cabinet	Plumb Bob	1-SW-14	516-0007-00
82	Sixth Coin	1	-	CN9	5		-		Cabinet	-	1-SW-21	
83	Ticket Notch	1	-	CN11	5		-		Cabinet	-	1-SW-8	
84	Slam Tilt	1	-	CN5	4	LGN RED	3	BLK	Cabinet	-	1-SW-22	
85												
86												
87												

Continued on next page...



SWITCH REFERENCE CONTINUED

ID	Name	Node	Node Ext	Conn.	Input Pin	Input Wire	GND Pin	Ground Wire	Location	Type	Address	Part Number
88												
89												
90												
91												
C1	DIP 1	0	-	-	-		-		CPU Node		0-SW-0	-
C2	DIP 2	0	-	-	-		-		CPU Node		0-SW-1	-
C3	DIP 3	0	-	-	-		-		CPU Node		0-SW-2	-
C4	DIP 4	0	-	-	-		-		CPU Node		0-SW-3	-
C5	DIP 5	0	-	-	-		-		CPU Node		0-SW-4	-
C6	DIP 6	0	-	-	-		-		CPU Node		0-SW-5	-
C7	DIP 7	0	-	-	-		-		CPU Node		0-SW-6	-
C8	DIP 8	0	-	-	-		-		CPU Node		0-SW-7	-
C9	Service Select	0	-	CN25	4	LGN GRY	6	BLK	Coin Door		0-SW-8	515-1963-00
C10	Service Plus	0	-	CN25	3	LGN VIO	6	BLK	Coin Door		0-SW-9	515-1963-00
C11	Service Minus	0	-	CN25	2	LGN BLU	6	BLK	Coin Door		0-SW-10	515-1963-00
C12	Service Back	0	-	CN25	1	LGN BLK	6	BLK	Coin Door		0-SW-11	515-1963-00
C17	Headphone Detect	0	-	-	-	-	-	-	Coin Door		0-SW-16	-
C18	Headphone Kit Cable Detect	0	-	CN3	5	BLK	4	BLK	CPU Node		0-SW-17	-
C19	Volume Encoder 1	0	-	CN3	6	WHT	1	DRAIN	CPU Node		0-SW-18	-
C20	Volume Encoder 2	0	-	CN3	7	GRN	1	DRAIN	CPU Node		0-SW-19	-
C24	Coin Door Interlock	0	-	CN4	1	GRY	4	GRY RED	Backbox		0-SW-23	180-5248-00

Continued on next page...

SWITCH REFERENCE CONTINUED

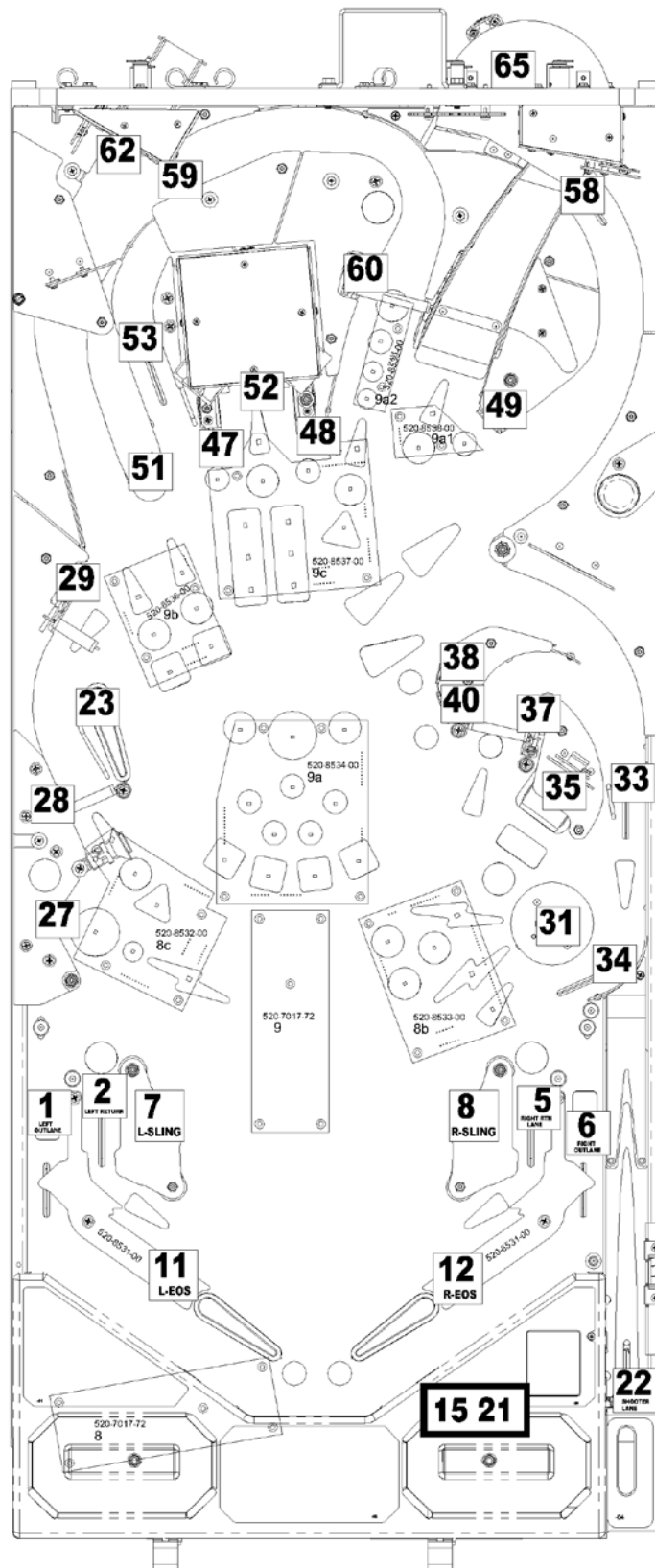


Figure 3.3.1. Playfield switch locations (top view).

3.4 LIGHT REFERENCE

ID	Name	Node	Node Ext.	Conn.	Ret. Pin	Ret. Wire	Src. Pin	Src. Wire	Location	Type	Light Color	Address	Part Number
1	Coin Enable	1	-	CN8	6	BLK GRY	2	GRY RED	Coin Door	Digital Out		1-LP-0	
2	Start Button	1	-	CN6	3	YEL BRN	1	RED	Cabinet	Feature	White	1-LP-2	113-5071-00
3	Tournament Start	1	-	CN6	2	YEL RED	1	RED	Cabinet	Feature	White	1-LP-3	112-5033-08
4	Lockdown Button-R	1	-	CN7	2	RED WHT	1	RED	Cabinet	Feature	RGB	1-LP-5	520-5333-00
5	Lockdown Button-G	1	-	CN7	3	GRN WHT	1	RED	Cabinet	Feature	RGB	1-LP-4	520-5333-00
6	Lockdown Button-B	1	-	CN7	4	BLU WHT	1	RED	Cabinet	Feature	RGB	1-LP-7	520-5333-00
7													
8													
9													
10													
11	Left Outlane	8	-	CN14	2	BRN RED	7/8	YEL	Playfield	Feature	White	8-LP-7	520-5307-00
12	Left Return Lane	8	-	CN14	3	BRN ORG	7/8	YEL	Playfield	Feature	White	8-LP-6	520-5307-00
13	Right Outlane	8	-	CN14	4	BRN BLU	7/8	YEL	Playfield	Feature	White	8-LP-5	520-5307-00
14	Right Return Lane	8	-	CN14	5	BRN YEL	7/8	YEL	Playfield	Feature	White	8-LP-4	520-5307-00
15	Shoot Again (x2)	8	c	CN1	8	ORG BRN	1/2/3	RED	Playfield	Feature	White	8-LP-53	520-5307-00
16													
17													
18	Adv Fighter Left	8	c	CN1	7	YEL GRN	1/2/3	RED	Playfield	Feature	White	8-LP-52	520-5307-00
19	Fighter Left 1	8	c	CN1	4	YEL BRN	1/2/3	RED	Playfield	Feature	White	8-LP-49	520-8531-00
20	Fighter Left 2	8	c	CN1	5	YEL RED	1/2/3	RED	Playfield	Feature	White	8-LP-50	520-8531-00
21	Fighter Left 3	8	c	CN1	6	YEL ORG	1/2/3	RED	Playfield	Feature	White	8-LP-51	520-8531-00
22	Adv Fighter Right	8	b	CN1	8	YEL GRN	1/2/3/4	RED	Playfield	Feature	White	8-LP-12	520-5307-00
23	Fighter Right 1	8	b	CN1	5	YEL BRN	1/2/3/4	RED	Playfield	Feature	White	8-LP-9	520-8531-00
24	Fighter Right 2	8	b	CN1	6	YEL RED	1/2/3/4	RED	Playfield	Feature	White	8-LP-10	520-8531-00
25	Fighter Right 3	8	b	CN1	7	YEL ORG	1/2/3/4	RED	Playfield	Feature	White	8-LP-11	520-8531-00
26													
27													
28	Maser	8	c	LED13	-	-	-	-	Playfield	Feature	White	8-LP-62	520-8532-00
29	Maser Ready	8	c	LED14	-	-	-	-	Playfield	Feature	White	8-LP-63	520-8532-00
30	Left Spinner R	8	c	LED9	-	-	-	-	Playfield	Feature	RGB	8-LP-56	520-8532-00
31	Left Spinner G	8	c	LED9	-	-	-	-	Playfield	Feature	RGB	8-LP-57	520-8532-00
32	Left Spinner B	8	c	LED9	-	-	-	-	Playfield	Feature	RGB	8-LP-58	520-8532-00
33	Tank 1	8	c	LED8	-	-	-	-	Playfield	Feature	White	8-LP-55	520-8532-00
34	Adv Rampage	8	c	LED7	-	-	-	-	Playfield	Feature	White	8-LP-54	520-8532-00
35													
36													
37	Rodan	8	b	LED30	-	-	-	-	Playfield	Feature	White	8-LP-41	520-8533-00
38	Mothra	8	b	LED18	-	-	-	-	Playfield	Feature	White	8-LP-27	520-8533-00
39	Angiurus	8	b	LED36	-	-	-	-	Playfield	Feature	White	8-LP-47	520-8533-00
40	Top Saucer R	8	b	LED19	-	-	-	-	Playfield	Feature	RGB	8-LP-28	520-8533-00
41	Top Saucer G	8	b	LED19	-	-	-	-	Playfield	Feature	RGB	8-LP-29	520-8533-00
42	Top Saucer B	8	b	LED19	-	-	-	-	Playfield	Feature	RGB	8-LP-30	520-8533-00
43	Bottom Saucer R	8	b	LED10	-	-	-	-	Playfield	Feature	RGB	8-LP-17	520-8533-00
44	Bottom Saucer G	8	b	LED10	-	-	-	-	Playfield	Feature	RGB	8-LP-18	520-8533-00
45	Bottom Saucer B	8	b	LED10	-	-	-	-	Playfield	Feature	RGB	8-LP-19	520-8533-00
46	Saucer	8	b	LED1	-	-	-	-	Playfield	Feature	White	8-LP-8	520-8533-00
47													
48													
49	Attack Mecha	8	b	CN4	6	ORG GRN	1/2/3	RED	Playfield	Feature	White	8-LP-23	520-5307-00
50	Tank 6	8	b	CN4	5	ORG YEL	1/2/3	RED	Playfield	Feature	White	8-LP-22	520-5307-00
51	Select City	8	b	CN4	4	ORG RED	1/2/3	RED	Playfield	Feature	White	8-LP-21	520-5307-00

Continued on next page...

LIGHT REFERENCE CONTINUED

ID	Name	Node	Node Ext.	Conn.	Ret. Pin	Ret. Wire	Src. Pin	Src. Wire	Location	Type	Light Color	Address	Part Number
52	Mecha Lane R	8	b	CN4	7	RED BRN	1/2/3	RED	Playfield	Feature	RGB	8-LP-24	520-5333-00
53	Mecha Lane G	8	b	CN4	8	GRN BRN	1/2/3	RED	Playfield	Feature	RGB	8-LP-25	520-5333-00
54	Mecha Lane B	8	b	CN4	9	BLU BRN	1/2/3	RED	Playfield	Feature	RGB	8-LP-26	520-5333-00
55	Pop Bumper R	8	b	CN7	4	RED GRY	1/2/3	RED	Playfield	Feature	RGB	8-LP-42	520-6971-00
56	Pop Bumper G	8	b	CN7	5	GRN GRY	1/2/3	RED	Playfield	Feature	RGB	8-LP-43	520-6971-00
57	Pop Bumper B	8	b	CN7	6	BLU GRY	1/2/3	RED	Playfield	Feature	RGB	8-LP-44	520-6971-00
58													
59													
60	Shield Left R	8	b	CN5	2	RED ORG	1	RED	Playfield	Feature	RGB	8-LP-31	520-5333-00
61	Shield Left G	8	b	CN5	3	GRN ORG	1	RED	Playfield	Feature	RGB	8-LP-32	520-5333-00
62	Shield Left B	8	b	CN5	4	BLU ORG	1	RED	Playfield	Feature	RGB	8-LP-33	520-5333-00
63	Shield Right R	8	b	CN5	5	RED YEL	1	RED	Playfield	Feature	RGB	8-LP-34	520-5333-00
64	Shield Right G	8	b	CN5	6	GRN YEL	1	RED	Playfield	Feature	RGB	8-LP-35	520-5333-00
65	Shield Right B	8	b	CN5	7	BLU YEL	1	RED	Playfield	Feature	RGB	8-LP-36	520-5333-00
66	Shield Center R	8	b	CN5	8	RED VIO	1	RED	Playfield	Feature	RGB	8-LP-37	520-5333-00
67	Shield Center G	8	b	CN5	9	GRN VIO	1	RED	Playfield	Feature	RGB	8-LP-38	520-5333-00
68	Shield Center B	8	b	CN5	10	BLU VIO	1	RED	Playfield	Feature	RGB	8-LP-39	520-5333-00
69													
70													
71	Tanks	9	a	LED32	-	-	-	-	Playfield	Feature	White	9-LP-39	520-8534-00
72	Kaiju	9	a	LED1	-	-	-	-	Playfield	Feature	White	9-LP-8	520-8534-00
73	Bridge	9	a	LED2	-	-	-	-	Playfield	Feature	White	9-LP-9	520-8534-00
74	Power	9	a	LED3	-	-	-	-	Playfield	Feature	White	9-LP-10	520-8534-00
75	NY	9	a	LED23	-	-	-	-	Playfield	Feature	White	9-LP-30	520-8534-00
76	London	9	a	LED31	-	-	-	-	Playfield	Feature	White	9-LP-38	520-8534-00
77	Paris	9	a	LED8	-	-	-	-	Playfield	Feature	White	9-LP-15	520-8534-00
78	Tokyo	9	a	LED9	-	-	-	-	Playfield	Feature	White	9-LP-16	520-8534-00
79	Planet X	9	a	LED19	-	-	-	-	Playfield	Feature	White	9-LP-26	520-8534-00
80	Monster Zero Wiz	9	a	LED22	-	-	-	-	Playfield	Feature	White	9-LP-29	520-8534-00
81	King of the Monsters Wiz	9	a	LED21	-	-	-	-	Playfield	Feature	White	9-LP-28	520-8534-00
82	Mecha Wiz	9	a	LED20	-	-	-	-	Playfield	Feature	White	9-LP-27	520-8534-00
83													
84													
85	Skill Shot	9	b	CN1	4	ORG	1	RED	Playfield	Feature	White	9-LP-47	520-5307-00
86	Left Ramp R	9	b	LED9	-	-	-	-	Playfield	Feature	RGB	9-LP-48	520-8536-00
87	Left Ramp G	9	b	LED9	-	-	-	-	Playfield	Feature	RGB	9-LP-49	520-8536-00
88	Left Ramp B	9	b	LED9	-	-	-	-	Playfield	Feature	RGB	9-LP-50	520-8536-00
89	Tank 2	9	b	LED1	-	-	-	-	Playfield	Feature	White	9-LP-40	520-8536-00
90	Adv Train	9	b	LED2	-	-	-	-	Playfield	Feature	White	9-LP-41	520-8536-00
91	Magna Grab	9	b	LED5	-	-	-	-	Playfield	Feature	White	9-LP-44	520-8536-00
92	Tank 3	9	b	LED4	-	-	-	-	Playfield	Feature	White	9-LP-43	520-8536-00
93	Attack Bridge	9	b	LED3	-	-	-	-	Playfield	Feature	White	9-LP-42	520-8536-00
94													
95													
96	Building R	9	c	LED17	-	-	-	-	Playfield	Feature	RGB	9-LP-76	520-8537-00
97	Building G	9	c	LED17	-	-	-	-	Playfield	Feature	RGB	9-LP-77	520-8537-00
98	Building B	9	c	LED17	-	-	-	-	Playfield	Feature	RGB	9-LP-78	520-8537-00
99	Top Spinner R	9	c	LED12	-	-	-	-	Playfield	Feature	RGB	9-LP-67	520-8537-00
100	Top Spinner G	9	c	LED12	-	-	-	-	Playfield	Feature	RGB	9-LP-68	520-8537-00
101	Top Spinner B	9	c	LED12	-	-	-	-	Playfield	Feature	RGB	9-LP-69	520-8537-00
102	Powerline Left	9	c	LED18	-	-	-	-	Playfield	Feature	White	9-LP-79	520-8537-00

Continued on next page...



LIGHT, SWITCH, AND DRIVER REFERENCE

LIGHT REFERENCE CONTINUED

ID	Name	Node	Node Ext.	Conn.	Ret. Pin	Ret. Wire	Src. Pin	Src. Wire	Location	Type	Light Color	Address	Part Number
103	Lite Destruction Jackpot	9	c	LED14	-	-	-	-	Playfield	Feature	White	9-LP-71	520-8537-00
104	Powerline Center	9	c	LED13	-	-	-	-	Playfield	Feature	White	9-LP-70	520-8537-00
105	Tank 4	9	c	LED11	-	-	-	-	Playfield	Feature	White	9-LP-66	520-8537-00
106	Tesla Strike	9	c	LED7	-	-	-	-	Playfield	Feature	White	9-LP-62	520-8537-00
107	Building Fire Left 1R	9	c	LED22	-	-	-	-	Playfield	Feature	RGB	9-LP-86	520-8537-00
108	Building Fire Left 1G	9	c	LED22	-	-	-	-	Playfield	Feature	RGB	9-LP-87	520-8537-00
109	Building Fire Left 2R	9	c	LED15	-	-	-	-	Playfield	Feature	RGB	9-LP-72	520-8537-00
110	Building Fire Left 2G	9	c	LED15	-	-	-	-	Playfield	Feature	RGB	9-LP-73	520-8537-00
111	Building Fire Left 3R	9	c	LED16	-	-	-	-	Playfield	Feature	RGB	9-LP-74	520-8537-00
112	Building Fire Left 3G	9	c	LED16	-	-	-	-	Playfield	Feature	RGB	9-LP-75	520-8537-00
113	Building Fire Right 1R	9	c	LED21	-	-	-	-	Playfield	Feature	RGB	9-LP-84	520-8537-00
114	Building Fire Right 1G	9	c	LED21	-	-	-	-	Playfield	Feature	RGB	9-LP-85	520-8537-00
115	Building Fire Right 2R	9	c	LED20	-	-	-	-	Playfield	Feature	RGB	9-LP-82	520-8537-00
116	Building Fire Right 2G	9	c	LED20	-	-	-	-	Playfield	Feature	RGB	9-LP-83	520-8537-00
117	Building Fire Right 3R	9	c	LED19	-	-	-	-	Playfield	Feature	RGB	9-LP-80	520-8537-00
118	Building Fire Right 3G	9	c	LED19	-	-	-	-	Playfield	Feature	RGB	9-LP-81	520-8537-00
119													
120													
121	Heat Ray L1	9	a	CN3	8	YEL GRN	1/2	RED	Playfield	Feature	White	9-LP-22	520-8539-00
122	Heat Ray L2	9	a	CN3	9	YEL BLU	1/2	RED	Playfield	Feature	White	9-LP-23	520-8539-00
123	Heat Ray L3	9	a	CN3	10	YEL VIO	1/2	RED	Playfield	Feature	White	9-LP-24	520-8539-00
124	Heat Ray	9	a	CN3	11	YEL GRY	1/2	RED	Playfield	Feature	White	9-LP-25	520-8539-00
125													
126													
127	Right Ramp R	9	a	CN3	3	RED BRN	1/2	RED	Playfield	Feature	RGB	9-LP-17	520-8538-00
128	Right Ramp G	9	a	CN3	4	GRN BRN	1/2	RED	Playfield	Feature	RGB	9-LP-18	520-8538-00
129	Right Ramp B	9	a	CN3	5	BLU BRN	1/2	RED	Playfield	Feature	RGB	9-LP-19	520-8538-00
130	Tank 5	9	a	CN3	6	ORG BLU	1/2	RED	Playfield	Feature	White	9-LP-20	520-8538-00
131	Powerline Right	9	a	CN3	7	ORG VIO	1/2	RED	Playfield	Feature	White	9-LP-21	520-8538-00
132													
133													
134	Big Loop R	9	a	CN4	5	RED WHT	1/2/3/4	RED	Playfield	Feature	RGB	9-LP-31	520-5333-00
135	Big Loop G	9	a	CN4	6	GRN WHT	1/2/3/4	RED	Playfield	Feature	RGB	9-LP-32	520-5333-00
136	Big Loop B	9	a	CN4	7	BLU WHT	1/2/3/4	RED	Playfield	Feature	RGB	9-LP-33	520-5333-00
137	Destruction Jackpot	9	a	CN4	8	YEL BRN	1/2/3/4	RED	Playfield	Feature	White	9-LP-34	520-5307-00
138	Tail Whip	9	a	CN4	9	YEL RED	1/2/3/4	RED	Playfield	Feature	White	9-LP-35	520-5307-00
139													
140													
141	Left BB-Bash Building	9	b	CN3	3	BLU RED	1/2	RED	Playfield	Feature	White	9-LP-51	520-5307-00
142	Left BB-Lite Battle	9	b	CN3	4	BLU ORG	1/2	RED	Playfield	Feature	White	9-LP-52	520-5307-00
143	Left BB-Bridge Out	9	b	CN3	5	BLU YEL	1/2	RED	Playfield	Feature	White	9-LP-53	520-5307-00
144													
145													
146													
147	Right BB-Bash Building	9	a	CN2	2	ORG BRN	1	RED	Playfield	Feature	White	9-LP-11	520-5307-00
148	Right BB-Lite Battle	9	a	CN2	3	ORG RED	1	RED	Playfield	Feature	White	9-LP-12	520-5307-00
149	Right BB-Bridge Out	9	a	CN2	4	ORG YEL	1	RED	Playfield	Feature	White	9-LP-13	520-5307-00
150	Scoop BB-Battle	8	b	CN1	10	YEL VIO	1/2/3/4	RED	Playfield	Feature	White	8-LP-14	520-5307-00
151	Scoop BB-Godzilla Pwr Up	8	b	CN1	11	YEL GRY	1/2/3/4	RED	Playfield	Feature	White	8-LP-15	520-5307-00

Continued on next page...

LIGHT REFERENCE CONTINUED

ID	Name	Node	Node Ext.	Conn.	Ret. Pin	Ret. Wire	Src. Pin	Src. Wire	Location	Type	Light Color	Address	Part Number
152	Scoop BB-Summon Ally	8	b	CN1	12	YEL WHT	1/2/3/4	RED	Playfield	Feature	White	8-LP-16	520-5307-00
153													
154													
155													
156													
157													
158													
159													
160	Coin Door GI	1	-	CN5	2	YEL	1	YEL-WHT	Coin Door	G.I.	White	1-LP-1	112-5033-08
161	Lower Playfield GI-RED(x4)	8	-	CN15	5	RED BLK	1	YEL RED	Playfield	G.I.	Red	8-LP-0	112-5034-02F
162	Lower Playfield GI-WHT(x8)	8	-	CN15	6	WHT BLK	2	YEL BLK	Playfield	G.I.	White	8-LP-1	112-5034-08F 520-7000-00 (Bot.Arch)
163	Upper Playfield GI-RED(x9)	9	-	CN15	5	RED BLK	1	YEL RED	Playfield	G.I.	Red	9-LP-0	112-5034-02F
164	Upper Playfield GI-WHT(x12)	9	-	CN15	6	WHT BLK	2	YEL BLK	Playfield	G.I.	White	9-LP-1	112-5034-08F
165													
166													
167													
168													
169													
170	Maser Fire Flash	8	c	LED1	-	-	-	-	Playfield	Flash	White	8-LP-48	520-8532-00
171	Maser Flash	8	c	CN3	3	ORG VIO	1/2	RED	Playfield	Flash	White	8-LP-59	520-7000-00
172	Building Spot	8	c	CN3	4	ORG WHT	1/2	RED	Playfield	Flash	White	8-LP-60	113-5032-08
173													
174													
175	Globe Flash	9	a	CN4	10	YEL ORG	1/2/3/4	RED	Playfield	Flash	White	9-LP-36	520-7000-00
176	Top Spinner Flash	9	c	CN1	7	ORG WHT	1/2	RED	Playfield	Flash	White	9-LP-60	520-7000-00
177													
178	Backpanel Left Flash	9	b	CN3	6	ORG BLU	1/2	RED	Playfield	Flash	White	9-LP-54	113-5045-08
179	Mothra Flash	9	c	CN1	6	ORG GRY	1/2	RED	Playfield	Flash	White	9-LP-59	113-5045-08
180	Backpanel Right Flash	9	a	CN2	5	ORG GRN	1	RED	Playfield	Flash	White	9-LP-14	113-5045-08

Continued on next page...



LIGHT REFERENCE CONTINUED

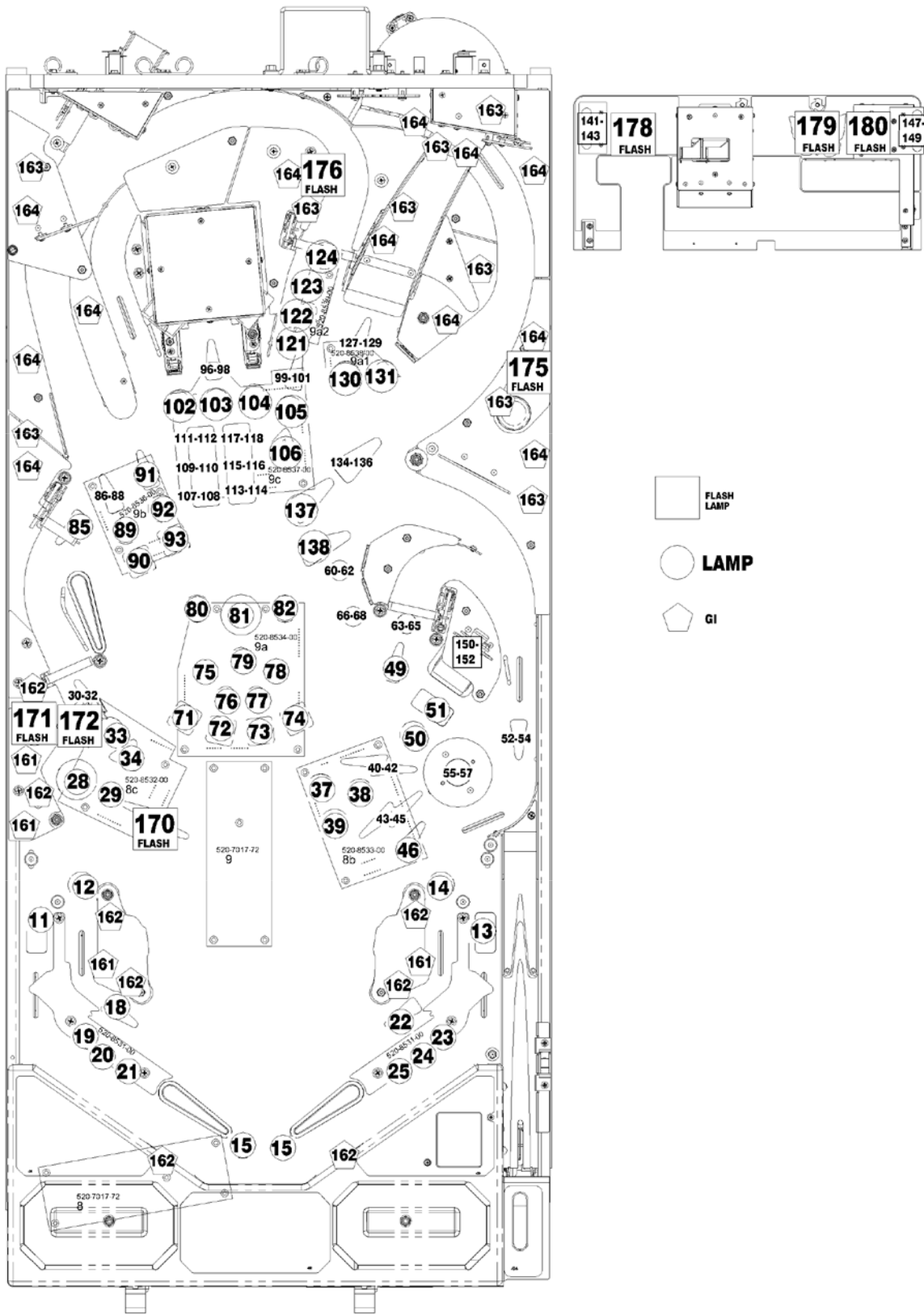


Figure 3.4.1. Playfield light locations (top view).

4. ELECTRONIC PINOUTS AND SCHEMATICS

4.1 SPIKE-2 CPU NODE 0

509-1003-01

DIRECT SWITCH MAPPING (CN25)

The coin-door diagnostic switches are connected directly to the CPU node via the Cabinet Node. Note that both the CPU and Cabinet nodes are required for diagnostic switch operation.

ID	Name	Conn.	Input Pin	Input Wire	GND Pin	Ground Wire	Location	Type	Address	Part Number
C1	DIP 1	-	-	-	-	-	CPU Node		0-SW-0	-
C2	DIP 2	-	-	-	-	-	CPU Node		0-SW-1	-
C3	DIP 3	-	-	-	-	-	CPU Node		0-SW-2	-
C4	DIP 4	-	-	-	-	-	CPU Node		0-SW-3	-
C5	DIP 5	-	-	-	-	-	CPU Node		0-SW-4	-
C6	DIP 6	-	-	-	-	-	CPU Node		0-SW-5	-
C7	DIP 7	-	-	-	-	-	CPU Node		0-SW-6	-
C8	DIP 8	-	-	-	-	-	CPU Node		0-SW-7	-
C9	Service Select	CN25	1	LGN-GRY	11	BLK-WHT	Coin Door		0-SW-9	180-5192-04
C10	Service Plus	CN25	2	LGN-VIO	11	BLK-WHT	Coin Door		0-SW-10	180-5192-02
C11	Service Minus	CN25	3	LGN-BLU	11	BLK-WHT	Coin Door		0-SW-11	180-5192-02
C12	Service Back	CN25	4	LGN-BLK	11	BLK-WHT	Coin Door		0-SW-12	180-5192-00

CONNECTORS

ID	Connector Type	Description
CN1	5-Pin .156" Header	Backbox 2-channel amplified speaker out
CN2	3-Pin .100" Header	Console Port
CN3	7-Pin .100" Header	Headphone connector
CN4	2-Pin .156"	Cabinet 1-channel amplified speaker out
CN5	7-Pin .100" Header	Line In/Out
CN6	34 Pin 2.00mm Header	LCD display connector
CN7	5-Pin .156" Header	48V supply from main power supply
CN8	6-Pin .100" Header	SPI Serial
CN9	USB	USB connector - for software updates, audit dumps, and expansion modules
CN9	USB	USB connector - for software updates, audit dumps, and expansion modules
CN10	HDMI	HDMI Out
CN11	RJ45	SPIKE node bus - to cabinet node N1
CN12	RJ45	SPIKE node bus - To Topper accessory Kit
CN13	SD CARD	SD Card connector
CN14	5-Pin .100" Header	LCD Backlight
CN15	3-Pin .100" Header	Backbox Light
CN16	4-Pin .100" Header	3.3v / 5v / 12v
CN17	ETHERNET	ETHERNET connector
CN21	SATA Header	SATA connector
CN22	RJ45	SPIKE node bus - to playfield node
CN25	12-Pin .100" Header	Dedicated switch inputs - service, volume switches

COMPONENTS

ID	Name
S1	DIP Switches
S2	Reset Switch
SD CARD (CN13)	For system SD card. Note: only to be removed if instructed to by Stern Service.
BT1	BR1225 3V Lithium battery for game clock between power cycles

STATUS LEDs

LED ID	Name	Color	Description
48V	+48V Supply In	Red	ON: Main system power is connected. OFF: No 48V system power. Check power supply connections, cables, and fuses.
3.3V	+3.3V Logic	Red	ON: Logic power supply is good. OFF: Logic power supply bad, call tech support.
5V	+5V Logic	Red	ON: Logic power supply is good. OFF: Logic power supply bad, call tech support.
12V	+12V Backbox Illumination	Red	ON: Back box LED power good. OFF: Backbox LED power bad, call tech support.
VA	+30V Audio	Red	ON: Audio power supply is good. OFF: Audio power supply off, call tech support.
VNB	+9V Node Bus	Red	Power for the Node bus. ON: Power for node bus good. OFF: Power to node bus not detected, call tech support.
5V (CPU)	+5V Logic	Red	ON: Logic power supply is good. OFF: Logic power supply bad, call tech support.
SDIO ACT	Not Used	Red	Should remain unlit as it is not currently used.
STATUS	CPU Heartbeat, System Status	Red	Double blink ~1/2 second: Good, Processor running. OFF: Processor not running, call tech support.
µSD ACT	Activity indicator for micro SD Card	Red	Should blink rapidly when reading or writing to micro SD card.
D23	Netbridge Status	Red	Should blink once every ~1/2 second.

SPIKE-2 CPU NODE 0 CONTINUED

AUDIO PINOUTS

ID	Type	Pin	Description	Minimum Impedance	Max Power (RMS)	Wire Color
CN1	.156" 5-pin Header	1	Speaker Right Ground (-)	4 Ohms	-	BLK-WHT
		2	Speaker Right (+)	4 Ohms	20W	RED-WHT
		3	n/c	-	-	
		4	Speaker Left Ground (-)	4 Ohms	-	BLK-RED
		5	Speaker Left (+)	4 Ohms	20W	RED-BLK
CN3	.100" 7-pin Header	1	n/c	-	-	
		2	L-HP	16 Ohms	15 mW	
		3	R-HP	16 Ohms	15 mW	
		4	n/c	-	-	
		5	Headphone Detect	-	-	
		6	Headphone vol +	-	-	
		7	Headphone vol -	-	-	
CN4	.156" 2-pin Header	1	Woofer Ground (-)	8 Ohms	-	YEL-BLK
		2	Woofer Out (+)	8 Ohms	40W	YEL-WHT
CN5	.100" 7-pin Header	1	n/c	-	-	
		2	L-IN	30K Ohms	0.6VRMS	
		3	R-IN	30K Ohms	0.6VRMS	
		4	n/c	-	-	
		5	L-OUT	10K Ohms	1.5V	
		6	R-OUT	10K Ohms	1.5V	
		7	Woofer Line Out	10K Ohms	1.5V	

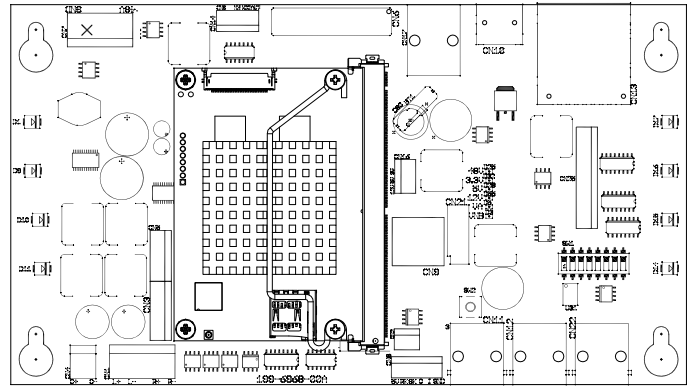


Figure 4.1.1. SPIKE 2 CPU Node connector detail.

COIN DOOR SERVICE SWITCH WIRING

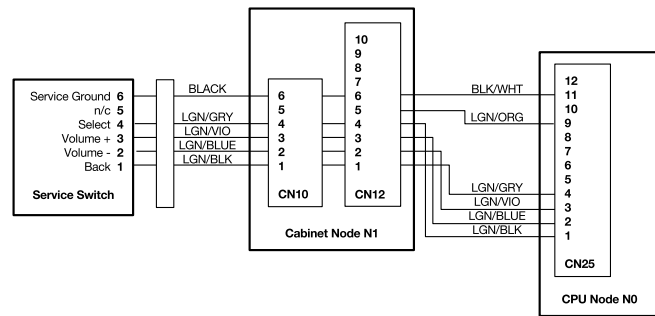


Figure 4.1.2. Service switch wiring. Note that the Cabinet Node must be present and CN10 and CN12 connected for the Coin Door Service Switches to function correctly.

COUNTRY CODES (DIP S2)

Country	DIP S2							
	1	2	3	4	5	6	7	8
USA	OFF	OFF	OFF	OFF	OFF	OFF	OFF	OFF
Austria	ON	OFF	OFF	OFF	OFF	OFF	OFF	OFF
Australia	ON	OFF	ON	ON	OFF	OFF	OFF	OFF
Belgium	OFF	ON	OFF	OFF	OFF	OFF	OFF	OFF
Canada 1	ON	ON	OFF	OFF	OFF	OFF	OFF	OFF
Canada 2	OFF	ON	OFF	ON	ON	OFF	OFF	OFF
China	OFF	OFF	ON	ON	ON	OFF	OFF	OFF
Croatia	OFF	ON	ON	OFF	ON	OFF	OFF	OFF
Denmark	ON	OFF	OFF	ON	OFF	OFF	OFF	OFF
Finland	ON	OFF	ON	OFF	OFF	OFF	OFF	OFF
France	OFF	ON	ON	OFF	OFF	OFF	OFF	OFF
Germany	ON	ON	ON	OFF	OFF	OFF	OFF	OFF
Greece	ON	ON	ON	ON	OFF	OFF	OFF	OFF
Italy	OFF	OFF	OFF	ON	OFF	OFF	OFF	OFF
Japan	ON	OFF	ON	OFF	ON	OFF	OFF	OFF
Middle East	ON	ON	ON	OFF	ON	OFF	OFF	OFF
Netherlands	OFF	OFF	ON	OFF	OFF	OFF	OFF	OFF
New Zealand	OFF	OFF	OFF	OFF	ON	OFF	OFF	OFF
Norway	OFF	ON	OFF	ON	OFF	OFF	OFF	OFF
Portugal	ON	OFF	OFF	OFF	OFF	ON	OFF	OFF
Russia	ON	OFF	OFF	ON	ON	OFF	OFF	OFF
S. Africa	OFF	OFF	ON	OFF	ON	OFF	OFF	OFF
Spain	OFF	ON	OFF	OFF	ON	OFF	OFF	OFF
Sweden	ON	ON	OFF	ON	OFF	OFF	OFF	OFF
Switzerland	OFF	OFF	ON	ON	OFF	OFF	OFF	OFF
Taiwan	OFF	OFF	OFF	ON	ON	OFF	OFF	OFF
United Kingdom	OFF	ON	ON	ON	OFF	OFF	OFF	OFF

USA & INTERNATIONAL (NON-EURO) STANDARD PRICING SELECT TABLE

CPU/SOUND PCB DIP SWITCH SW1 SETTING		COUNTRY SETTING OPTION(S)	COIN MECHANISMS (SWITCHES) COINS THRU ... SLOT:					PRICING SCHEME Number of Plays (Credits) for Price Amount Shown See "Appendix J" for Coin Cards Examples & Info!					Requires SPI Coin Card(s) Part Number							
Pos.	1	2	3	4	5	6	7	8	LEFT	CENTER	RIGHT	4TH	5TH							
ON	1	2	3	4	5	6	7	8	0.25	1.00	0.25	USD // UNITED STATES DOLLAR // [\$]			755-5400-01-Y					
OFF	1	2	3	4	5	6	7	8				USA 1			1/0.25	2/0.75	3/1.00	755-5400-02-Y		
HIGHLIGHTED = Factory Default								USA 2				1/0.50	For USA 6 and USA 7 use: 755-5400-02-Y USA 6 Note: If player uses X4 25c quarters = 2 plays. However, \$1 bill = 3 plays!		755-5400-02-Y					
HIGHLIGHTED = Not Shown on Coin Card								USA 3				1/0.50	2/1.00		3/1.50	5/2.00	755-5400-00-Y			
								USA 4				1/0.50	2/1.00		3/1.50	5/2.00	755-5400-02-Y			
								USA 5				1/0.50	2/1.00		3/1.50	5/2.00	755-5400-00-Y			
								USA 6				1/0.50	2/1.00		3/1.50	5/2.00	755-5400-00-Y			
								USA 7				1/0.50	2/1.00		3/1.50	5/2.00	755-5400-00-Y			
								USA 8				1/0.50	2/1.00		3/1.50	5/2.00	755-5400-00-Y			
								USA 9				1/0.50	2/1.00		3/1.50	5/2.00	755-5400-00-Y			
								USA 10				1/0.50	2/1.00		3/1.50	5/2.00	755-5400-00-Y			
								USA 11				1/0.50	2/1.00		3/1.50	5/2.00	755-5400-00-Y			
								USA 12				1/0.50	2/1.00		3/1.50	5/2.00	755-5400-00-Y			
								USA 13			1/0.50	2/1.00		3/1.50	5/2.00	755-5400-00-Y				
ON	1	2	3	4	5	6	7	8	0.20	1.00	2.00	AUD // AUSTRALIAN DOLLARS // [\$AUS]			755-5406-00-Y					
OFF	1	2	3	4	5	6	7	8				AUSTRALIA 1			1/1.00	3/2.00	(1 Side)			
								AUSTRALIA 2				1/1.00								
								AUSTRALIA 3				1/2.00								
								AUSTRALIA 4				1/2.00	2/4.00	3/5.00						
								AUSTRALIA 5				1/3.00	2/5.00	3/8.00	5/10.00					
								AUSTRALIA 6			1/2.00	2/3.00								
ON	1	2	3	4	5	6	7	8	0.25	0.25	1.00	2.00	CAD // CANADIAN DOLLARS // [\$CAN]			755-5400-00-Y				
OFF	1	2	3	4	5	6	7	8					CANADA 1 [25c door]			1/0.50	2/0.75	3/1.00	-01-Y or -02-Y	
ON	1	2	3	4	5	6	7	8	CANADA 2 [dollar door]			1/1.00	3/2.00		755-5400-10-Y					
OFF	1	2	3	4	5	6	7	8												
ON	1	2	3	4	5	6	7	8	1	2	5	HRK // CROATIAN KUNA // [kuna]			755-5410-00-Y					
OFF	1	2	3	4	5	6	7	8	CROATIA			1/3	2/5		(2-Sided)					
ON	1	2	3	4	5	6	7	8	1	5	10	20	DKK // DANISH KRONER // [Kr]			755-5402-00-Y				
OFF	1	2	3	4	5	6	7	8	DENMARK 1			1/2	2/4	3/5	4/7	5/9	7/10	(2-Sided)		
ON	1	2	3	4	5	6	7	8	DENMARK 2											
ON	1	2	3	4	5	6	7	8	100	100		JPY // JAPANESE YEN // [¥]			755-5408-01-Y					
OFF	1	2	3	4	5	6	7	8	JAPAN 1			1/100			(2-Sided)					
ON	1	2	3	4	5	6	7	8	JAPAN 2			1/100	3/200							
OFF	1	2	3	4	5	6	7	8												
ON	1	2	3	4	5	6	7	8	token	token		TOKEN // Middle East currency used to buy token // [TOKEN]			755-5406-00-Y					
OFF	1	2	3	4	5	6	7	8	MIDDLE EAST			1/1			(use Side 1)					
ON	1	2	3	4	5	6	7	8	1	2		NZD // NEW ZEALAND DOLLAR // [\$NZD]			755-5406-00-Y					
OFF	1	2	3	4	5	6	7	8	NEW ZEALAND 1			1/1	3/2		(Side 2)					
ON	1	2	3	4	5	6	7	8	NEW ZEALAND 2											
ON	1	2	3	4	5	6	7	8	10	5	20	NOK // NORWEGIAN KRONE // [Kr]			755-5403-01-Y or -02-Y / (2-Sided)					
OFF	1	2	3	4	5	6	7	8				NORWAY 1			1/10	3/20		755-5403-03-Y		
								NORWAY 2				1/20	3/40		(2-Sided)					
								NORWAY 3				1/20	3/40							
								NORWAY 4				1/10	3/20							
								NORWAY 5				1/20	3/40							
								NORWAY 6				1/10	3/20							
								NORWAY 7				1/20	3/40							
								NORWAY 8			1/20	3/40								
ON	1	2	3	4	5	6	7	8	10	5	1	RUB // RUSSIAN RUBLE // [Ruble]			755-5411-00-Y					
OFF	1	2	3	4	5	6	7	8	RUSSIA			1/5			(2-Sided)					
ON	1	2	3	4	5	6	7	8	0.50	1.00	1.00	1.00	ZAR // SOUTH AFRICAN RAND // [R]			755-5409-01-Y				
OFF	1	2	3	4	5	6	7	8	SO. AFRICA 1			1/2.00			(2-Sided)					
ON	1	2	3	4	5	6	7	8	SO. AFRICA 2			1/3.00	2/5.00							
OFF	1	2	3	4	5	6	7	8												
ON	1	2	3	4	5	6	7	8	1	5	10	SEK // SWEDISH KRONOR // [kr]			755-5404-00-Y					
OFF	1	2	3	4	5	6	7	8	SWEDEN 1			1/10	2/15	3/20	(2-Sided)					
ON	1	2	3	4	5	6	7	8	SWEDEN 2			1/5								
OFF	1	2	3	4	5	6	7	8												
ON	1	2	3	4	5	6	7	8	1	2	5	CHF // SWISS FRANCS // [Sfr]			755-5405-00-Y					
OFF	1	2	3	4	5	6	7	8	SWITZERLAND 1			1/1	2/2	3/3	4/4	6/5	(2-Sided)			
ON	1	2	3	4	5	6	7	8	SWITZERLAND 2			1/1	3/2	5/3	7/4	9/5				
OFF	1	2	3	4	5	6	7	8												
ON	1	2	3	4	5	6	7	8	10	10		TWD // TAIWANESE DOLLAR // [TWD]			755-5412-00-Y					
OFF	1	2	3	4	5	6	7	8	TAIWAN			1/10			(use Side 1)					
ON	1	2	3	4	5	6	7	8												
ON	1	2	3	4	5	6	7	8	0.10	0.50	1.00	0.20	2£	GBP // UNITED KINGDOM POUNDS // [£]			755-5407-00-Y			
OFF	1	2	3	4	5	6	7	8						UK 1			3/1.00	7/2.00		755-5407-01-Y*
								UK 2						4/1.00						
								UK 3						1/0.50	2/1.00	3/1.50	5/2.00	755-5407-01		
								UK 4						1/0.30	2/0.60	3/0.90	4/1.00	755-5407-01-Y*		
								UK 5						1/1.00	3/2.00		755-5407-01			
								UK 6			3/2.00			*use blank side	755-5407-01-Y*					

HIGHLIGHTED = Factory Default

HIGHLIGHTED = Not Shown on Coin Card



EURO SUMMARY & INTERNATIONAL (EURO) STANDARD PRICING SELECT TABLE

CPU/SOUND PCB DIP SWITCH SW1 SETTING	COUNTRY SETTING OPTION(S)	COIN MECHANISMS (SWITCHES)				PRICING SCHEME				Requires SPI Coin Card(s) Part Number				
		COINS THRU ... SLOT:				Number of Plays (Credits) for Price Amount Shown See "Appendix J" for Coin Cards Examples & Info!								
		LEFT	CENTER	RIGHT	4TH									
Pos. 1 2 3 4 5 6 7 8 ON S E E B E L O W OFF S E T T I N G S	Default Highlighted Euro 1 Euro 2 Euro 3 Euro 4 Euro 5 Euro 6 Euro 7 Euro 8 Euro 9 Euro 10 Euro 11 Euro 12	0.50	1.00	2.00	0.20 optional	EUR // EUROPEAN UNION EUROS // [€]								
										1/0.50			755-5401-01-Y	
										1/0.50	2/1.00	3/1.50	5/2.00	755-5401-02-Y
										1/0.50		3/1.00		755-5401-03-Y
										1/0.50	2/1.00	3/1.50	6/2.00	755-5401-04-Y
										1/0.50	3/1.00	4/1.50	7/2.00	755-5401-05-Y
										2/0.50				755-5401-06-Y
										1/1.00	2/2.00	3/3.00	5/4.00	755-5401-07-Y
										1/1.00		3/2.00		755-5401-08-Y
										1/1.00		2/1.50	3/2.00	755-5401-09-Y
										1/1.00		3/2.00	7/3.00	755-5401-10-Y
										1/1.00		4/2.00		755-5401-11-Y
						2/1.00	4/2.00	6/3.00	9/4.00	755-5401-12-Y				

For a different Euro Pricing Scheme (other than Factory Default listed below), scroll through Standard Adjustment 18: Euro 1-12 or CUSTOM* for new setting (reference above Euro 1-12 Summary). Keep the Country Dip Switch Setting the same as listed below.

Pos. 1 2 3 4 5 6 7 8 ON ▲ ▲ ▲ ▲ ▲ ▲ ▲ ▲ OFF ▼ ▼ ▼ ▼ ▼ ▼ ▼ ▼	Default Highlighted AUSTRIA Euro 9	0.50	1.00	2.00		EUR // EUROPEAN UNION EUROS // [€]				755-5401-09-Y
Pos. 1 2 3 4 5 6 7 8 ON ▲ ▲ ▲ ▲ ▲ ▲ ▲ ▲ OFF ▼ ▼ ▼ ▼ ▼ ▼ ▼ ▼	Default Highlighted BELGIUM Euro 1	0.50	1.00	2.00		1/0.50				755-5401-01-Y
Pos. 1 2 3 4 5 6 7 8 ON ▲ ▲ ▲ ▲ ▲ ▲ ▲ ▲ OFF ▼ ▼ ▼ ▼ ▼ ▼ ▼ ▼	Default Highlighted FINLAND Euro 8	0.50	1.00	2.00		1/1.00		3/2.00		755-5401-08-Y
Pos. 1 2 3 4 5 6 7 8 ON ▲ ▲ ▲ ▲ ▲ ▲ ▲ ▲ OFF ▼ ▼ ▼ ▼ ▼ ▼ ▼ ▼	Default Highlighted FRANCE Euro 10	0.50	1.00	2.00		1/1.00		3/2.00	7/3.00	755-5401-10-Y
Pos. 1 2 3 4 5 6 7 8 ON ▲ ▲ ▲ ▲ ▲ ▲ ▲ ▲ OFF ▼ ▼ ▼ ▼ ▼ ▼ ▼ ▼	Default Highlighted GERMANY 1 GERMANY 2 GERMANY 3	0.50	1.00	2.00		1/0.50				755-5401-01-Y
						1/0.50	2/1.00	3/1.50	5/2.00	755-5401-02-Y
						1/0.50	2/1.00	3/1.50	6/2.00	755-5401-04-Y
Pos. 1 2 3 4 5 6 7 8 ON ▲ ▲ ▲ ▲ ▲ ▲ ▲ ▲ OFF ▼ ▼ ▼ ▼ ▼ ▼ ▼ ▼	Default Highlighted GREECE Euro 8	0.50	1.00	2.00		1/1.00		3/2.00		755-5401-08-Y
Pos. 1 2 3 4 5 6 7 8 ON ▲ ▲ ▲ ▲ ▲ ▲ ▲ ▲ OFF ▼ ▼ ▼ ▼ ▼ ▼ ▼ ▼	Default Highlighted ITALY 1 ITALY 2	0.50		0.50		1/0.50				755-5401-01-Y
						1/1.00		3/2.00		755-5401-08-Y
Pos. 1 2 3 4 5 6 7 8 ON ▲ ▲ ▲ ▲ ▲ ▲ ▲ ▲ OFF ▼ ▼ ▼ ▼ ▼ ▼ ▼ ▼	Default Highlighted NETHERLANDS Euro 3	0.50	1.00	2.00		1/0.50		3/1.00		755-5401-03-Y
Pos. 1 2 3 4 5 6 7 8 ON ▲ ▲ ▲ ▲ ▲ ▲ ▲ ▲ OFF ▼ ▼ ▼ ▼ ▼ ▼ ▼ ▼	Default Highlighted PORTUGAL	0.50		0.50		1/0.50				755-5401-01-Y
Pos. 1 2 3 4 5 6 7 8 ON ▲ ▲ ▲ ▲ ▲ ▲ ▲ ▲ OFF ▼ ▼ ▼ ▼ ▼ ▼ ▼ ▼	Default Highlighted SPAIN Euro 8	0.50	1.00	2.00		1/1.00		3/2.00		755-5401-08-Y

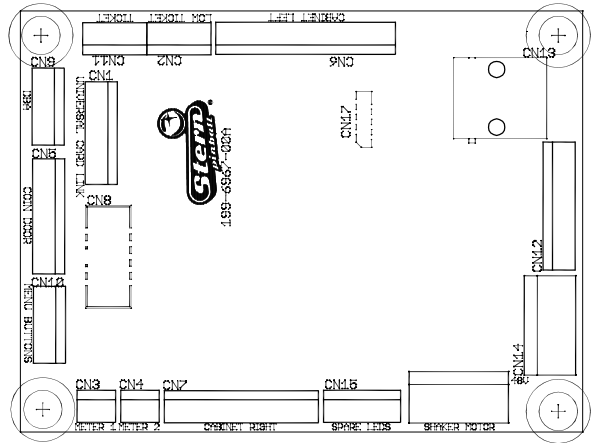
HIGHLIGHTED = Factory Default

HIGHLIGHTED = Not Shown on Coin Card

4.2 CABINET NODE 1

520-6967-72

ID	Type	Pin	Description	Wire Color		
CN1	.100" 8-Pin Header Universal Card Link	1	12V	-		
		2	Coin 1	-		
		3	Meter 1	-		
		4	N/C	-		
		5	Notch	-		
		6	Coin Enable	-		
		7	Ticket Enable	-		
		8	Ground	-		
CN2	.100" 5-Pin Header Low Ticket	1	Ground	-		
		2	Ticket Low sw.	-		
		3	Key	-		
		4	Ticket Low	-		
		5	5V Out	-		
CN3	.100" 3-Pin Header Meter 1	1	Meter 12V (+)	RED		
		2	Meter (-)	BLK		
		3	N/C	-		
CN4	.100" 3-Pin Header Meter 2	1	Meter 12V (+)	RED		
		2	Meter (-)	BLK		
		3	N/C	-		
CN5	.100" 9-Pin Header	1	5V Out	YEL/WHT		
		2	Coin LED Out	YEL		
		3	Ground	BLK		
		4	Slam Tilt In	LGN/RED		
		5	Coin 5	PNK/GRN*		
		6	Coin 4	PNK/YEL*		
		7	Coin 3	PNK/ORN*		
		8	Coin 2	PNK/RED*		
		9	Coin 1	PNK/BRN*		
		CN6	.100" 14-Pin Header Cabinet Left	1	5V LED Power	RED
				2	Start 2 LED	YEL-RED
				3	Start 1 LED	YEL-BRN
				4	Spare LED	-
				5	Ground	BLK-WHT
6	Spare Left			-		
7	Tilt Input			WHT		
8	Door Open			-		
9	Start 2 Switch			GRY-WHT		
10	Start 1 Switch			GRY		
11	N/C			-		
12	N/C			-		
13	N/C			-		
14	N/C			-		
CN7	.100" 12-Pin Header Cabinet Right	1	5V LED Power	RED		
		2	Plunge 2 LED	RED-WHT		
		3	Plunge 1 LED	GRN-WHT		
		4	Spare LED 2	BLU-WHT		
		5	Ground	BLK-WHT		
		6	Spare Right In	-		
		7	Plunge 2 Switch	-		
		8	Plunge 1 Switch	-		
		9	N/C	-		
		10	N/C	-		
		11	N/C	-		
		12	N/C	-		
CN8	.100" 10-Pin Header Dual Row Electronic Coin Mech	1	Ground	-		
		2	12V	-		
		3	Coin 5	-		
		4	Coin 6	-		
		5	N/C	-		
		6	Coin Enable/Inhibit (+)	-		
		7	Coin 1	-		
		8	Coin 2	-		
		9	Coin 3	-		
		10	Coin 4	-		

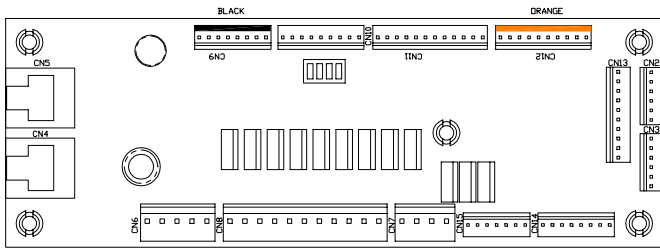


CN9	.100" 6-Pin Header Dollar Bill Acceptor	1	Coin Enable/DBA Inhibit (-)	BLK
		2	Coin Enable/DBA Inhibit (+)	-
		3	Key	Key
		4	DBA 12V	ORG
		5	Coin 6 / DBA Credit	-
		6	Ground	BLK-ORG
CN10	.100" 6-Pin Header Service Switch In	1	Service Back (To Coindoor)	LGN-BLK
		2	Service Down (To Coindoor)	LGN-BLU
		3	Service Up (To Coindoor)	LGN-VIO
		4	Service Select (To Coindoor)	LGN-GRY
		5	Key	Key
		6	Service Ground (To Coindoor)	BLK
CN11	.100" 5-Pin Header Ticket Dispenser	1	12V	RED
		2	N/C	-
		3	Ticket Dispenser Enable	WHT
		4	Ground	BLK
		5	Ticket Dispenser Notch	BLU
CN12	.100" 10-Pin Header CPU Direct Switches	1	Service Back (To CPU)	LGN-BLK
		2	Service Down (To CPU)	LGN-BLU
		3	Service Up (To CPU)	LGN-VIO
		4	Service Select (To CPU)	LGN-GRY
		5	Power Present	LGN-ORG
		6	Service Ground (To CPU)	BLK-WHT
		7	N/C	-
		8	N/C	-
		9	N/C	-
		10	N/C	-
CN14	.156" 5-Pin Header Power Input	1	Ground	BLK
		2	Key	Key
		3	N/C	-
		4	N/C	-
		5	48VDC In	GRY-YEL
CN15	.100" 6-Pin Header Spare LED's	1	5V LED Power	-
		2	Key	Key
		3	Spare LED 3	-
		4	Spare LED 4	-
		5	Spare LED 5	-
		6	Spare LED 6	-
CN16	.156" 5-Pin Header Shaker Motor	1	Shaker Motor (-)	BLU
		2	Shaker Motor (-)	-
		3	Shaker Motor (+)	-
		4	Key	Key
		5	Shaker Motor (+)	RED
			*Varies by country model	



4.3 LOWER PLAYFIELD 48V DRIVER PINOUT NODE 8

520-7017-72

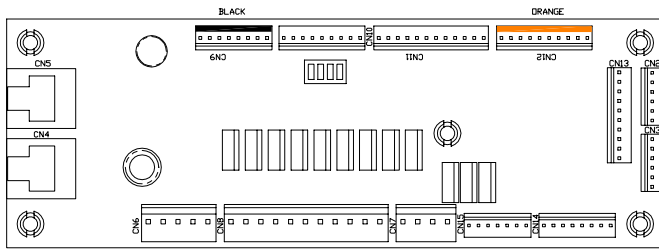


ID	Type	Pin	Description	Wire Color
SW1	Address DIP	-	Node 8 - OFF-OFF-OFF-OFF	-
CN4	RJ45	-	SPIKE Node Bus	Multi
CN5	RJ45	-	SPIKE Node Bus	Multi
CN6	.156" 5-Pin Header Node Power	1	Ground	BLK
		2	Key	Key
		3	N/C	-
		4	N/C	-
		5	48VDC In	GRY
CN7	.156" 4-Pin Header (White)	1	48V Driver Power	GRY-ORG
		2	8-DR-8 Driver Return	YEL-RED
		3	8-DR-6 Driver Return	YEL-BLK
		4	8-DR-7 Driver Return	YEL-BRN
CN8	.156 11-Pin Header (White)	1	48V Driver Power	GRY-ORG
		2	48V Driver Power	GRY-ORG
		3	48V Driver Power	GRY-ORG
		4	48V Driver Power	GRY-ORG
		5	8-DR-0 Driver Return	ORG-GRN
		6	8-DR-5 Driver Return	ORG-YEL
		7	8-DR-1 Driver Return	ORG-GRY
		8	8-DR-8 Driver Return	-
		9	8-DR-4 Driver Return	ORG-WHT
		10	8-DR-2 Driver Return	ORG-VIO
		11	8-DR-3 Driver Return	ORG-BLU
CN9	.100" 8-Pin Header (Black)	1	V+	-
		2	V+	-
		3	8-SW-24 Switch	GRY-RED
		4	8-SW-25 Switch	GRY-BRN
		5	8-SW-26 Switch	-
		6	8-SW-27 Switch	VIO
		7	Ground	BLK-GRN
		8	Ground	BLK-VIO
CN10	.100" 9-Pin Header	1	V+	-
		2	8-SW-28 Switch	GRY-WHT
		3	8-SW-29 Switch	GRY-VIO
		4	8-SW-30 Switch	GRY-BLU
		5	8-SW-31 Switch	GRY-GRN
		6	8-SW-16 Switch	GRY-YEL
		7	Ground	BLK-GRN
		8	Ground	BLK-GRN
		9	Ground	BLK-GRN

CN11	.100" 12-Pin Header	1	V+	RED
		2	8-SW-26 Switch	-
		3	8-SW-27 Switch	-
		4	8-SW-17 Switch	LGN-RED
		5	8-SW-18 Switch	LGN-ORG
		6	8-SW-19 Switch	LGN-YEL
		7	8-SW-20 Switch	LGN-BLU
		8	8-SW-21 Switch	-
		9	8-SW-22 Switch	-
		10	8-SW-23 Switch	-
		11	Ground	BLK-ORG
		12	Ground	BLK-ORG
CN12	.100" 10-Pin Header (Orange)	1	V+	RED
		2	8-SW-8 Switch	WHT-BRN
		3	8-SW-9 Switch	WHT-RED
		4	8-SW-10 Switch	WHT-ORG
		5	8-SW-11 Switch	WHT-YEL
		6	8-SW-12 Switch	WHT-GRN
		7	8-SW-13 Switch	WHT-BLU
		8	8-SW-14 Switch	PNK-BLK
		9	8-SW-15 Switch	WHT-VIO
		10	Ground	BLK-RED
CN13	.100" 10-Pin Header	1	V+	-
		2	8-SW-0 Switch	-
		3	8-SW-1 Switch	-
		4	8-SW-2 Switch	-
		5	8-SW-3 Switch	-
		6	8-SW-4 Switch	-
		7	8-SW-5 Switch	-
		8	8-SW-6 Switch	-
		9	8-SW-7 Switch	-
		10	Ground	-
CN14	.100" 8-Pin Header	1	Ground	-
		2	8-LP-7 Driver Return	BRN-RED
		3	8-LP-6 Driver Return	BRN-ORG
		4	8-LP-5 Driver Return	BRN-BLU
		5	8-LP-4 Driver Return	BRN-YEL
		6	8-LP-3 Driver Return	-
		7	LED V+	YEL
		8	LED V+	YEL
CN15	.100" 7-Pin Header	1	LED V+	YEL-RED
		2	LED V+	YEL-BLK
		3	LED V+	-
		4	-	-
		5	8-LP-0 GI Return	RED-BLK
		6	8-LP-1 GI Return	WHT-BLK
		7	8-LP-2 GI Return	-
CN2	.100" 6-Pin Header, Node Extension Bus	1	Ground	BLK
		2	DIN	VIO-BLK
		3	DOUT	-
		4	SCK	VIO-RED
		5	RCK	VIO-ORG
		6	V+	RED
CN3	.100" 6-Pin Header, Node Extension Bus	1	Ground	BLK
		2	DIN	VIO-BLK
		3	DOUT	VIO-BRN
		4	SCK	VIO-RED
		5	RCK	VIO-ORG
		6	V+	RED

4.4 MID UPPER PLAYFIELD 48V DRIVER PINOUT NODE 9

520-7017-72

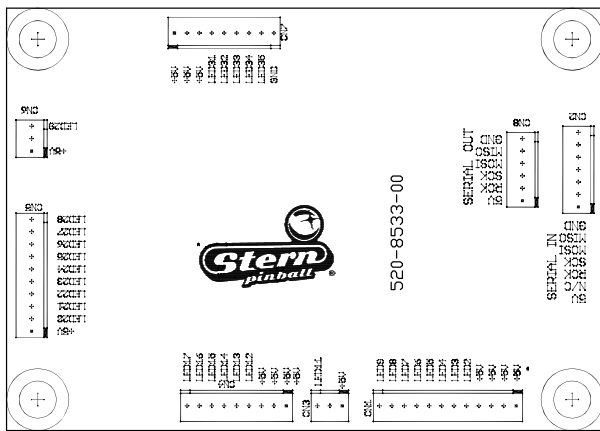


ID	Type	Pin	Description	Wire Color
SW1	Address DIP	-	Node 9 - OFF-OFF-ON-OFF	-
CN4	RJ45	-	SPIKE Node Bus	Multi
CN5	RJ45	-	SPIKE Node Bus	Multi
CN6	.156" 5-Pin Header Node Power	1	Ground	BLK
		2	Key	Key
		3	N/C	-
		4	N/C	-
		5	48VDC In	GRY
CN7	.156" 4-Pin Header (White)	1	48V Driver Power	GRY-BRN
		2	9-DR-8 Driver Return	-
		3	9-DR-6 Driver Return	BRN-BLK
		4	9-DR-7 Driver Return	-
CN8	.156 11-Pin Header (White)	1	48V Driver Power	-
		2	48V Driver Power	-
		3	48V Driver Power	-
		4	48V Driver Power	-
		5	9-DR-0 Driver Return	-
		6	9-DR-5 Driver Return	-
		7	9-DR-1 Driver Return	-
		8	9-DR-8 Driver Return	-
		9	9-DR-4 Driver Return	-
		10	9-DR-2 Driver Return	-
		11	9-DR-3 Driver Return	-
CN9	.100" 8-Pin Header (Black)	1	V+	-
		2	V+	-
		3	9-SW-24 Switch	-
		4	9-SW-25 Switch	-
		5	9-SW-26 Switch	-
		6	9-SW-27 Switch	-
		7	Ground	-
		8	Ground	-
CN10	.100" 9-Pin Header	1	V+	-
		2	9-SW-28 Switch	GRY-BLK
		3	9-SW-29 Switch	GRY-BRN
		4	9-SW-30 Switch	-
		5	9-SW-31 Switch	GRY-ORG
		6	9-SW-16 Switch	-
		7	Ground	BLK-BLU
		8	Ground	BLK-BLU
		9	Ground	-

CN11	.100" 12-Pin Header	1	V+	RED
		2	9-SW-26 Switch	-
		3	9-SW-27 Switch	-
		4	9-SW-17 Switch	TAN-ORG
		5	9-SW-18 Switch	-
		6	9-SW-19 Switch	-
		7	9-SW-20 Switch	TAN-BLU
		8	9-SW-21 Switch	TAN-VIO
		9	9-SW-22 Switch	-
		10	9-SW-23 Switch	-
		11	Ground	BLK-GRY
		12	Ground	BLK-GRY
CN12	.100" 10-Pin Header (Orange)	1	V+	RED
		2	9-SW-8 Switch	WHT-BRN
		3	9-SW-9 Switch	WHT-RED
		4	9-SW-10 Switch	WHT-ORG
		5	9-SW-11 Switch	WHT-YEL
		6	9-SW-12 Switch	WHT-GRN
		7	9-SW-13 Switch	WHT-BLU
		8	9-SW-14 Switch	WHT-VIO
		9	9-SW-15 Switch	WHT-GRY
		10	Ground	BLK-WHT
CN13	.100" 10-Pin Header	1	V+	-
		2	9-SW-0 Switch	-
		3	9-SW-1 Switch	-
		4	9-SW-2 Switch	-
		5	9-SW-3 Switch	-
		6	9-SW-4 Switch	-
		7	9-SW-5 Switch	-
		8	9-SW-6 Switch	-
		9	9-SW-7 Switch	-
		10	Ground	-
CN14	.100" 8-Pin Header	1	Ground	-
		2	9-LP-7 Driver Return	-
		3	9-LP-6 Driver Return	-
		4	9-LP-5 Driver Return	-
		5	9-LP-4 Driver Return	-
		6	9-LP-3 Driver Return	-
		7	LED V+	-
		8	LED V+	-
CN15	.100" 7-Pin Header	1	LED V+	YEL-RED
		2	LED V+	YEL-BLK
		3	LED V+	YEL-BLU
		4	-	-
		5	9-LP-0 GI Return	RED-BLK
		6	9-LP-1 GI Return	WHT-BLK
		7	9-LP-2 GI Return	BLU-BLK
CN2	.100" 6-Pin Header, Node Extension Bus	1	Ground	BLK
		2	DIN	VIO-BLK
		3	DOUT	VIO-BRN
		4	SCK	VIO-RED
		5	RCK	VIO-ORG
		6	V+	RED
CN3	.100" 6-Pin Header, Node Extension Bus	1	Ground	-
		2	DIN	-
		3	DOUT	-
		4	SCK	-
		5	RCK	-
		6	V+	-

4.5 LOWER RIGHT LED BOARD 8B

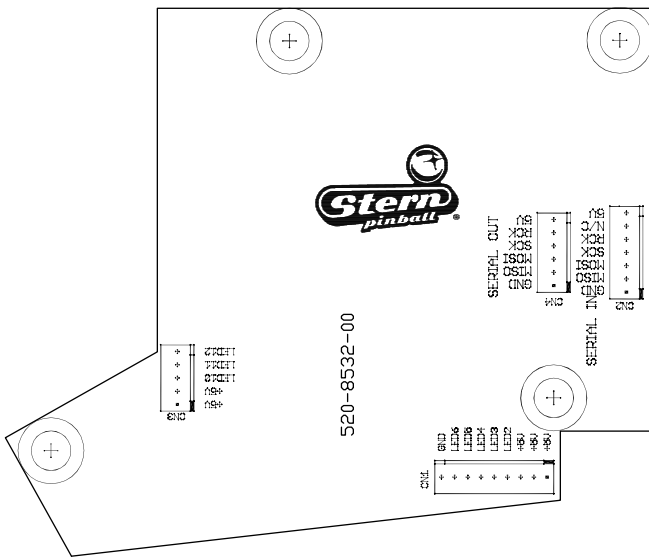
520-8533-00



ID	Type	Pin	Description	Wire Color
CN1	.100" 12-Pin Header	1	+5 VDC	RED
		2	+5 VDC	RED
		3	+5 VDC	RED
		4	+5 VDC	-
		5	LED 2	YEL-BRN
		6	LED 3	YEL-RED
		7	LED 4	YEL-ORG
		8	LED 5	YEL-GRN
		9	LED 6	-
		10	LED 7	YEL-VIO
		11	LED 8	YEL-GRY
		12	LED 9	YEL-WHT
CN2	.100" 7-Pin Header	1	Ground	BLK
		2	MISO Output Data	VIO-BLK
		3	MOSI Input Data	VIO-BRN
		4	SCK Serial Clock	VIO-RED
		5	RCK Register Clock	VIO-ORG
		6	NC	-
		7	+5 VDC IN	RED
CN3	.100" 3-Pin Header	1	+5 VDC	-
		2	-	-
		3	LED 11	-
CN4	.100" 9-Pin Header	1	+5 VDC	RED
		2	+5 VDC	RED
		3	+5 VDC	-
		4	LED 12	ORG-RED
		5	LED 13	ORG-YEL
		6	LED 14	ORG-GRN
		7	LED 15	RED-BRN
		8	LED 16	GRN-BRN
		9	LED 17	BLU-BRN

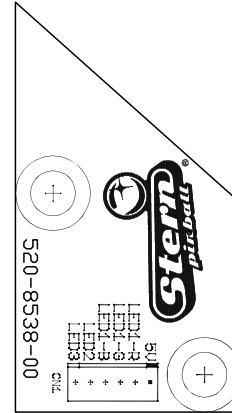
CN5	.100" 10-Pin Header	1	+5 VDC	RED
		2	LED 20	RED-ORG
		3	LED 21	GRN-ORG
		4	LED 22	BLU-ORG
		5	LED 23	RED-YEL
		6	LED 24	GRN-YEL
		7	LED 25	BLU-YEL
		8	LED 26	RED-VIO
		9	LED 27	GRN-VIO
		10	LED 28	BLU-VIO
CN6	.100" 3-Pin Header	1	+5 VDC	-
		2	-	-
		3	LED 29	-
CN7	.100" 9-Pin Header	1	+5 VDC	RED
		2	+5 VDC	RED
		3	+5 VDC	-
		4	LED 31	RED-GRY
		5	LED 32	GRN-GRY
		6	LED 33	BLU-GRY
		7	LED 34	-
		8	LED 35	-
		9	GND	-
CN8	.100" 6-Pin Header	1	Ground	BLK
		2	MISO Output Data	VIO-BLK
		3	MOSI Input Data	VIO-BRN
		4	SCK Serial Clock	VIO-RED
		5	RCK Register Clock	VIO-ORG
		6	V+	RED

4.6 LOWER LEFT LED BOARD 8C 520-8532-00



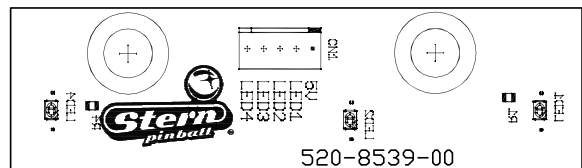
ID	Type	Pin	Description	Wire Color
CN1	.100" 9-Pin Header	1	+5 VDC	RED
		2	+5 VDC	RED
		3	+5 VDC	RED
		4	LED 2	YEL-BRN
		5	LED 3	YEL-RED
		6	LED 4	YEL-ORG
		7	LED 5	YEL-GRN
		8	LED 6	ORG-BRN
		9	GND	-
CN2	.100" 7-Pin Header	1	Ground	BLK
		2	MISO Output Data	VIO-BLK
		3	MOSI Input Data	VIO-BRN
		4	SCK Serial Clock	VIO-RED
		5	RCK Register Clock	VIO-ORG
		6	NC	-
		7	+5 VDC IN	RED
CN3	.100" 5-Pin Header	1	+5 VDC	RED
		2	+5 VDC	RED
		3	LED 10	ORG-VIO
		4	LED 11	ORG-WHT
		5	LED 12	-
CN4	.100" 6-Pin Header	1	Ground	-
		2	MISO Output Data	-
		3	MOSI Input Data	-
		4	SCK Serial Clock	-
		5	RCK Register Clock	-
		6	V+	-

4.7 1-RGB 2-W LED BOARD 9A1 520-8538-00



ID	Type	Pin	Description	Wire Color
CN1	.100" 6-Pin Header	1	+5 VDC	RED
		2	LED 1-R	RED-BRN
		3	LED 1-G	GRN-BRN
		4	LED 1-B	BLU-BRN
		5	LED 2	ORG-BLU
		6	LED 3	ORG-VIO

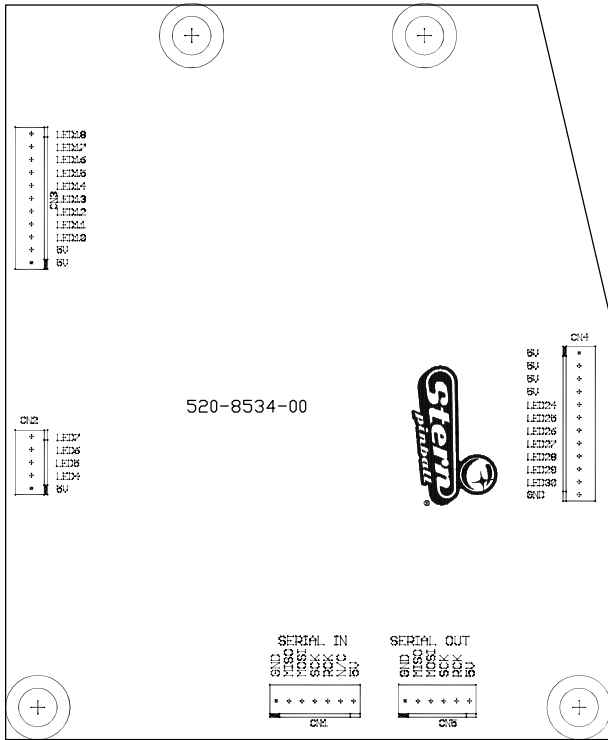
4.8 4-W LED BOARD 9A2 520-8539-00



ID	Type	Pin	Description	Wire Color
CN1	.100" 5-Pin Header	1	+5 VDC	RED
		2	LED 1	YEL-GRY
		3	LED 2	YEL-VIO
		4	LED 3	YEL-BLU
		5	LED 4	YEL-GRN

4.9 CENTER LED BOARD 9A

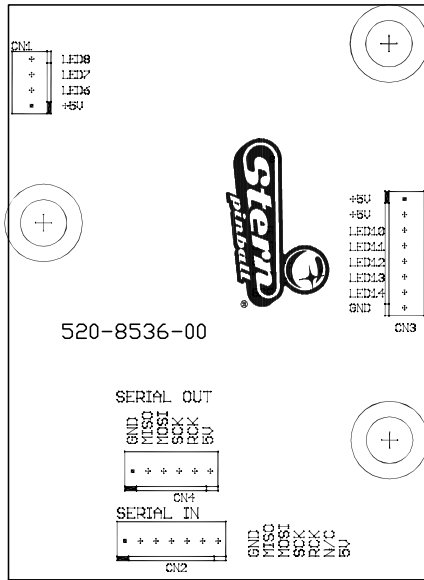
520-8534-00



CN4	.100" 12-Pin Header	1	+5 VDC	RED
		2	+5 VDC	RED
		3	+5 VDC	RED
		4	+5 VDC	-
		5	LED 24	RED-WHT
		6	LED 25	GRN-WHT
		7	LED 26	BLU-WHT
		8	LED 27	YEL-BRN
		9	LED 28	YEL-RED
		10	LED 29	YEL-ORG
		11	LED 30	-
		12	GND	-
CN5	.100" 6-Pin Header	1	Ground	BLK
		2	MISO Output Data	VIO-BLK
		3	MOSI Input Data	VIO-BRN
		4	SCK Serial Clock	VIO-RED
		5	RCK Register Clock	VIO-ORG
		6	V+	RED

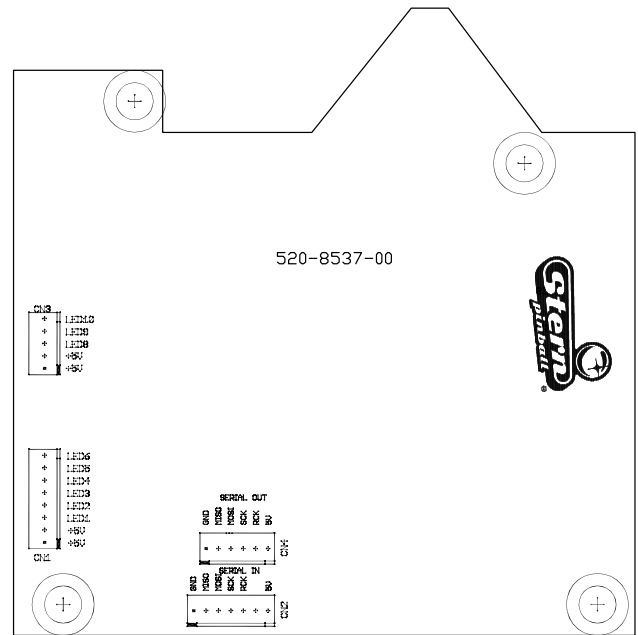
ID	Type	Pin	Description	Wire Color
CN1	.100" 7-Pin Header	1	Ground	BLK
		2	MISO Output Data	VIO-BLK
		3	MOSI Input Data	VIO-BRN
		4	SCK Serial Clock	VIO-RED
		5	RCK Register Clock	VIO-ORG
		6	NC	-
		7	+5 VDC IN	RED
CN2	.100" 5-Pin Header	1	+5 VDC	RED
		2	LED 4	ORG-BRN
		3	LED 5	ORG-RED
		4	LED 6	ORG-YEL
		5	LED 7	ORG-GRN
CN3	.100" 11-Pin Header	1	+5 VDC	RED
		2	+5 VDC	RED
		3	LED 10	RED-BRN
		4	LED 11	GRN-BRN
		5	LED 12	BLU-BRN
		6	LED 13	ORG-BLU
		7	LED 14	ORG-VIO
		8	LED 15	YEL-GRN
		9	LED 16	YEL-BLU
		10	LED 17	YEL-VIO
		11	LED 18	YEL-GRY

4.10 1-RGB 5-W LED BOARD 9B 520-8536-00



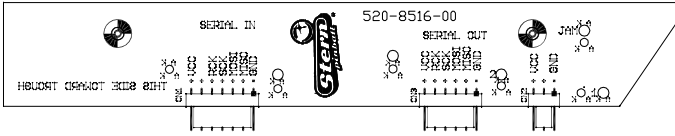
ID	Type	Pin	Description	Wire Color
CN1	.100" 4-Pin Header	1	+5 VDC	RED
		2	LED 6	-
		3	LED 7	-
		4	LED 8	ORG
CN2	.100" 7-Pin Header	1	Ground	BLK
		2	MISO Output Data	VIO-BLK
		3	MOSI Input Data	VIO-BRN
		4	SCK Serial Clock	VIO-RED
		5	RCK Register Clock	VIO-ORG
		6	NC	-
		7	+5 VDC IN	RED
CN3	.100" 8-Pin Header	1	+5 VDC	RED
		2	+5 VDC	RED
		3	LED 10	BLU-RED
		4	LED 11	BLU-ORG
		5	LED 12	BLU-YEL
		6	LED 13	ORG-BLU
		7	LED 14	-
		8	GND	-
CN4	.100" 6-Pin Header	1	Ground	BLK
		2	MISO Output Data	VIO-BLK
		3	MOSI Input Data	VIO-BRN
		4	SCK Serial Clock	VIO-RED
		5	RCK Register Clock	VIO-ORG
		6	V+	RED

4.11 SW & LED BOARD 9C 520-8537-00



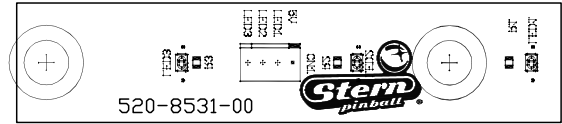
ID	Type	Pin	Description	Wire Color
CN1	.100" 8-Pin Header	1	+5 VDC	RED
		2	+5 VDC	RED
		3	LED 1	-
		4	LED 2	-
		5	LED 3	-
		6	LED 4	ORG-GRY
		7	LED 5	ORG-WHT
		8	LED 6	-
CN2	.100" 7-Pin Header	1	Ground	BLK
		2	MISO Output Data	VIO-BLK
		3	MOSI Input Data	VIO-BRN
		4	SCK Serial Clock	VIO-RED
		5	RCK Register Clock	VIO-ORG
		6	NC	-
		7	+5 VDC IN	RED
CN3	.100" 5-Pin Header	1	+5 VDC	-
		2	+5 VDC	-
		3	LED 8	-
		4	LED 9	-
CN4	.100" 6-Pin Header	1	Ground	-
		2	MISO Output Data	-
		3	MOSI Input Data	-
		4	SCK Serial Clock	-
		5	RCK Register Clock	-
		6	V+	-

4.12 TROUGH SERIAL OPTO RECEIVER 8A 520-8516-00



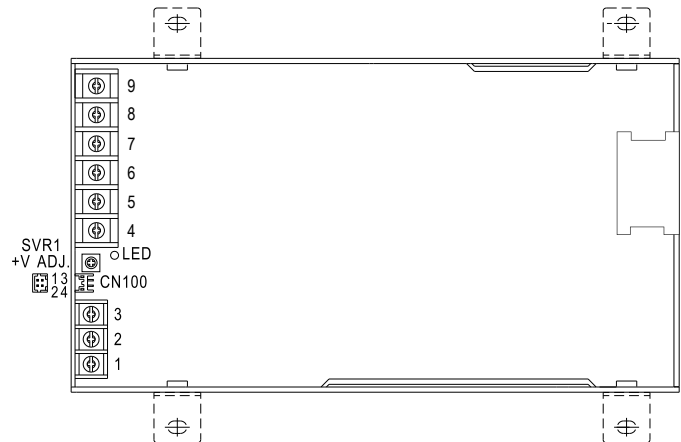
ID	Type	Pin	Description	Wire Color
CN1	.100" 7-Pin Header	1	Ground	BLK
		2	MISO Output Data	VIO-BLK
		3	MOSI Input Data	VIO-BRN
		4	SCK Serial Clock	VIO-RED
		5	RCK Register Clock	VIO-ORG
		6	N/C	-
		7	+5 VDC IN	RED
CN2	.100" 3-Pin Header	1	Ground	-
		2	N/C	-
		3	+5 VDC IN	-
CN3	.100" 6-Pin Header	1	Ground	-
		2	MISO Output Data	-
		3	MOSI Input Data	-
		4	SCK Serial Clock	-
		5	RCK Register Clock	-
		6	V+	-

4.14 OUTLANE 3-W LED BOARD 520-8531-00



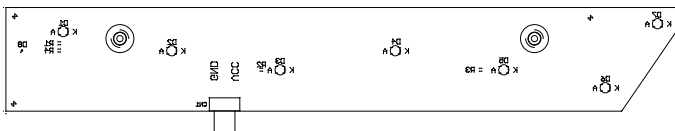
ID	Type	Pin	Description	Wire Color
CN1	.100" 4-Pin Header	1	+5 VDC	RED
		2	LED 1	YEL-BRN
		3	LED 2	YEL-RED
		4	LED 3	YEL-ORG

4.15 MAIN POWER SUPPLY 011-5003-00



ID	Type	Pin	Description	Wire Color
CN1	Screw Terminal	1	AC Line Hot In	BLK
		2	AC Line Neutral In	WHT
		3	Earth Ground In	GRN
		4	DC Ground	BLK
		5	DC Ground	BLK
		6	DC Ground	BLK
		7	+48 V System Power	GRY
		8	+48 V System Power	GRY
		9	+48 V System Power	GRY

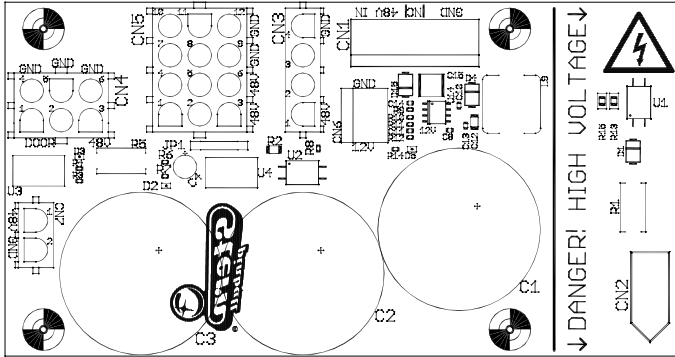
4.13 TROUGH SERIAL OPTO TRANSMITTER 520-5344-00



ID	Type	Pin	Description	Wire Color
CN1	.100" 3-Pin Header	1	Ground	BLK
		2	N/C	-
		3	+5 VDC IN	RED

4.16 POWER DISTRIBUTION BOARD

520-8096-00



ID	Type	Pin	Description	Wire Color
CN1	.156 in 7-Pin Housing Plug: 045-5259-07 Pin: 055-5331-00 Key: 060-5013-00	1	+48 VDC IN	GRY
		2	+48 VDC IN	GRY
		3	+48 VDC IN	GRY
		4	Key (n/c)	-
		5	Ground	BLK
		6	Ground	BLK
		7	Ground	BLK
CN2	.093 in 3-Pos Plug Plug: 045-5003-03 Pin: 055-5013-09	1	Line In (100-240 VAC)	BLK
		2	Neutral	WHT
		3	Earth Ground	GRN
CN3	0.084 in 4-Pos Plug Plug: 045-5200-04 Pin: 055-5033-08	1	+48 VDC to CPU Node	GRY
		2	Door Interlock Switch Status	GRY/RED
		3	Line Voltage Status	VIO
		4	Ground	BLK
CN4	0.084 in 6-Pos Plug Plug: 045-5200-06 Pin: 055-5033-08	1	Door Interlock Switch +48V	GRY
		2	Door Interlock Switch +48V	-
		3	Switched 48V Out (to Node 1)	GRY/YEL
		4	Door Interlock Return Ground	GRY/RED
		5	Door Interlock Return Ground	-
		6	Ground (to Node 1)	BLK
CN5	0.084 in 12-Pos Plug Plug: 045-5200-12 Pin: 055-5033-08	1	Switched 48V Node Power	GRY
		2	Switched 48V Node Power	GRY
		3	Switched 48V Node Power	GRY
		4	Switched 48V Node Power	GRY
		5	Switched 48V Node Power	GRY
		6	Switched 48V Node Power	GRY
		7	Node Ground	BLK
		8	Node Ground	BLK
		9	Node Ground	BLK
		10	Node Ground	BLK
		11	Node Ground	BLK
		12	Node Ground	BLK
CN6	.156 in 3-Pos Plug: 045-5259-03 Pin: 055-5331-00 (18awg)	1	Ground	-
		2	Ground	-
		3	+12VDC	-
CN7	.084 2-Pos Plug: 045-5200-02 Pin: 055-5033-08	1	+48 VDC to Topper Node	GRY
		2	Ground	BLK

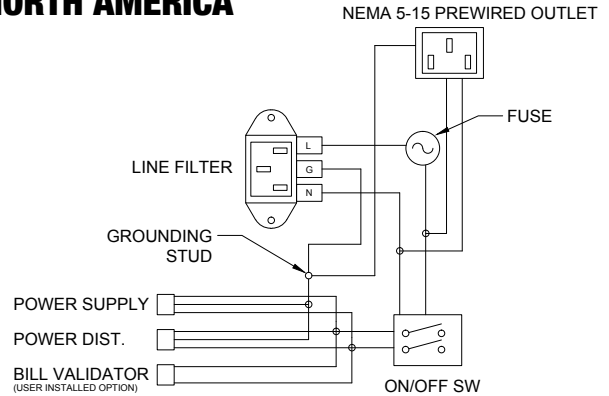
4.17 POWER PLUG WIRING

CAUTION

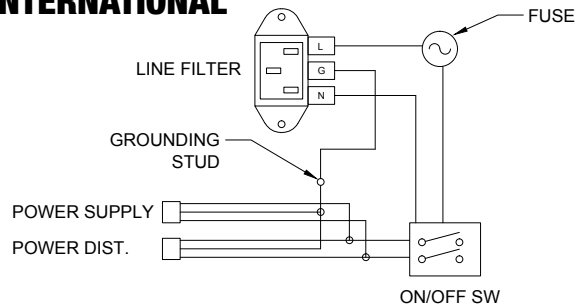
TO MAINTAIN SAFETY, GROUND WIRE FROM LINE FILTER IS TO BE MOUNTED FIRST ON GROUNDING STUD AND SECURED WITH NUT. ALL OTHER GROUNDS MAY THEN BE ATTACHED TO GROUNDING STUD.

REPLACE ALL FUSES WITH CORRECT CURRENT RATINGS!

NORTH AMERICA



INTERNATIONAL



LINE CORDS

Part Number	Description
034-6012-00	Line Cord, 3m, 5-15P USA
034-6012-01	Line Cord, 3m, CEE77P EUROPE
034-6012-02	Line Cord, 3m, BS1363P United Kingdom
034-6012-03	Line Cord, 3m, AS-NZS4417P Australia
034-6012-04	Line Cord, 3m, CEI23-16P Italy
034-6012-05	Line Cord, 3m, SEV1011P Switzerland
034-6012-06	Line Cord, 3m, JIS8303P Japan
034-6012-07	Line Cord, 3m, SI32P Israel
034-6012-08	Line Cord, 3m, BS546P S Africa, India
034-6012-09	Line Cord, 3m, IS6538P S. India

LINE FUSES

Line Voltage (Region)	Fuse Current	Type	Part Number
120V (North America)	8 A	Slow Blow 30G	200-5000-05
220/240v (Europe, Australia, UK)	5 A	Slow Blow 5 x 20mm	200-5003-00

5. PARTS REFERENCE

5.1 PLAYFIELD RUBBER PARTS

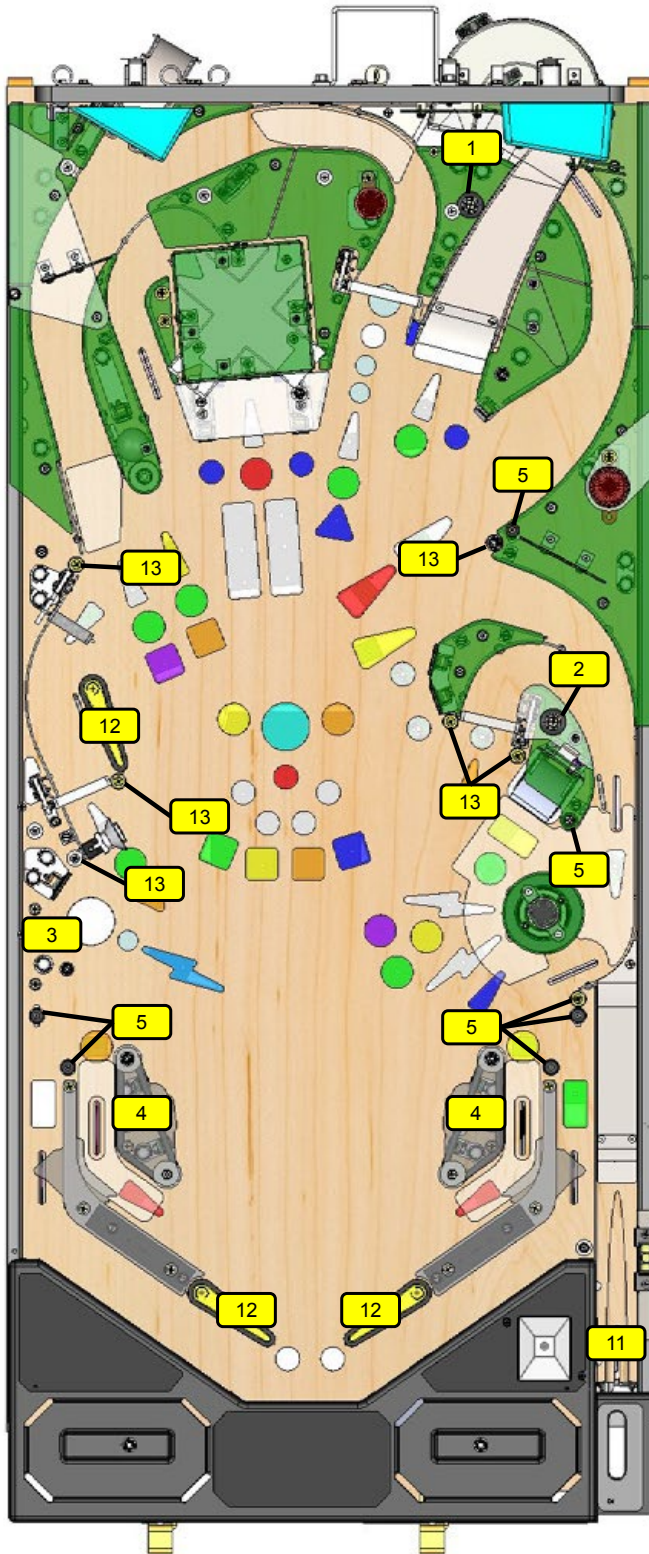


Figure 5.1.1. Rubber o-ring part locations

RUBBER O-RINGS

ID	Qty	Size (ID)	Size (OD)	Durometer	Color	Part Number
1	1	3/8"		50	Black	545-5348-03
2	1	7/16"		50	Black	545-5348-18
3	1	1-1/2"		50	Black	545-5348-07
4	2	2-1/2"		50	Black	545-5348-09
5	7		7/16"	50	Black	545-5348-17

Figure 5.1.2. Rubber o-ring part numbers and usage. ID: Inner Diameter, OD: Outer Diameter, Durometer: Higher number is firmer, less bounce, and more durable.

ID	Qty	Description	Color	Part Number
11	1	Plunger Tip	Black	545-5276-00
12	3	Flipper Rubber	Black	545-5277-00
13	6	Post Sleeve	Black	545-5308-00
14	2	Bumper Pad (Sub assemblies)	Black	545-5105-00
15	3	Bumper Pad (Flippers)	Black	545-5428-00

Figure 5.1.3. Other rubber part numbers and usage

5.2 RUBBER SIZE CHART

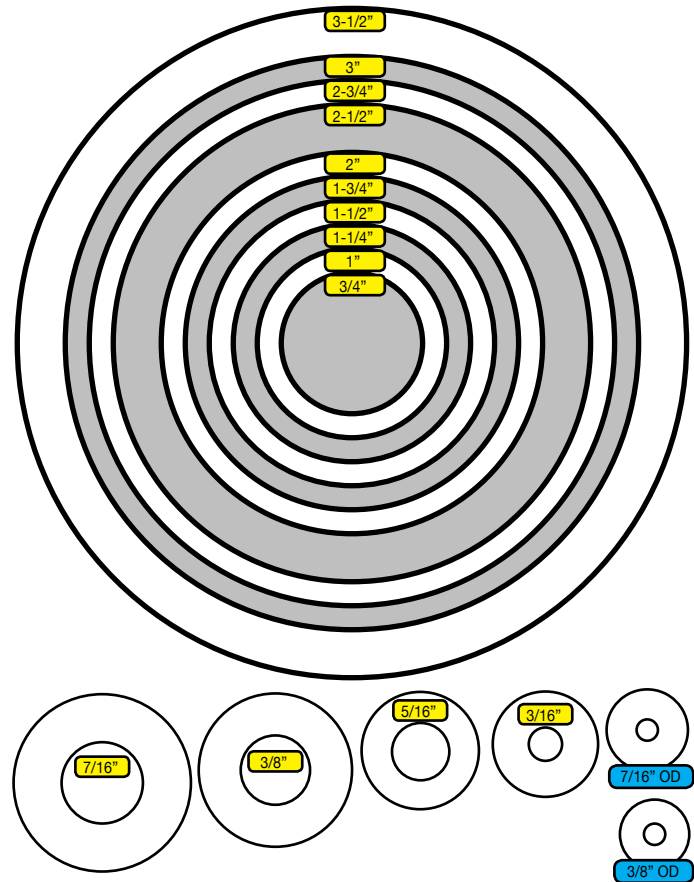
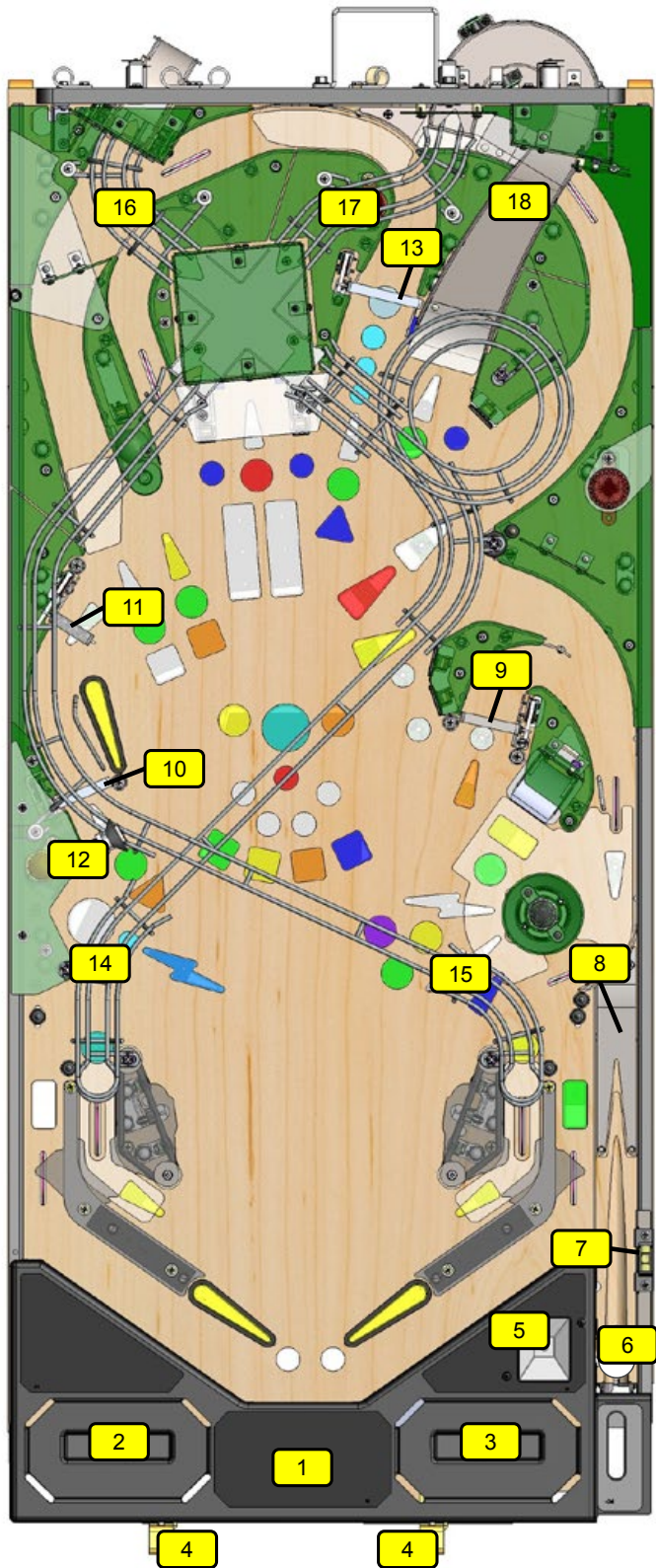


Figure 5.2.1. Rubber ring inner diameter sizing tool. Hold ring up to chart and read largest size on inside of ring. Dimensions are Inner Diameter (ID) unless otherwise noted as Outer Diameter (OD).

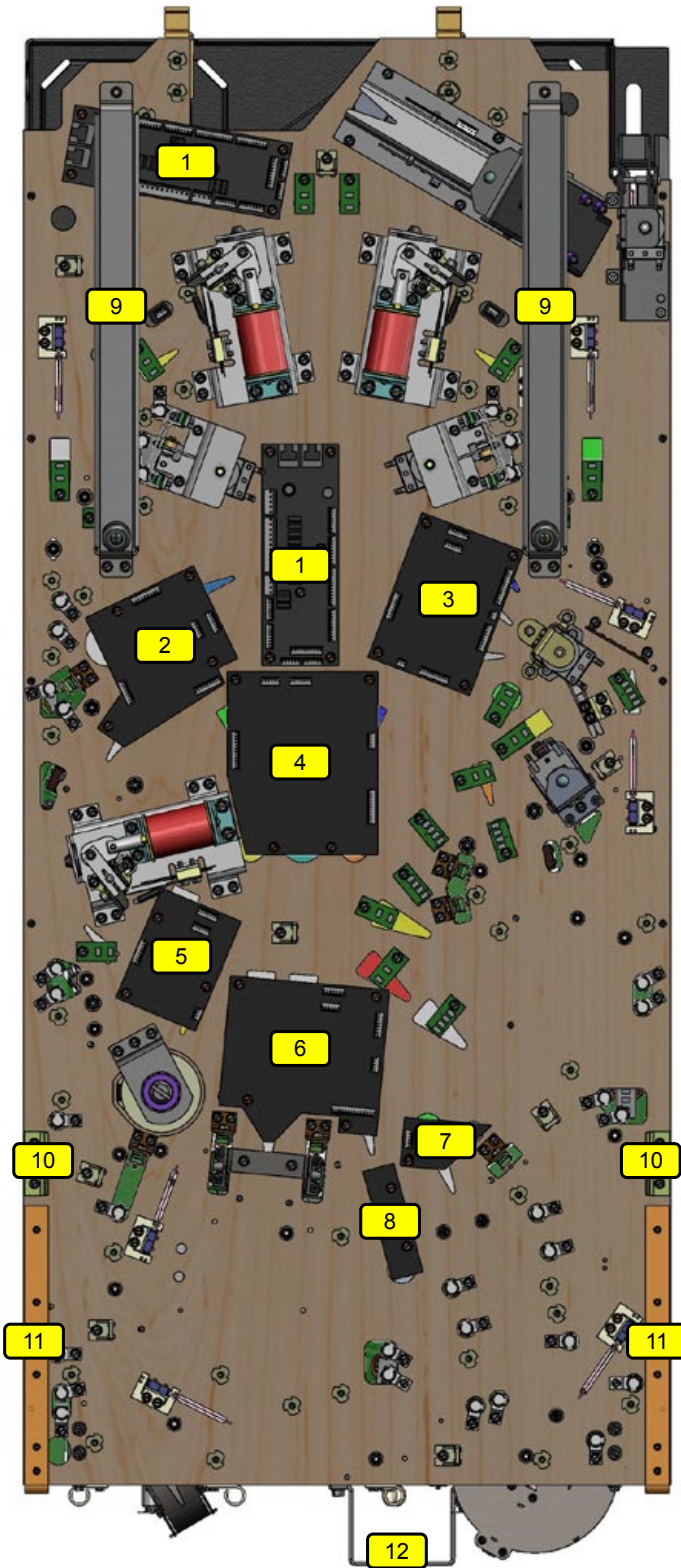
5.3 PLAYFIELD ASSEMBLIES, TOP



ID	Part Number	Description	Qty
1	500-2512-T5	Bottom Arch Assembly	1
2	755-51T5-12-Y	Instruction Card	1
3	755-7665-00	SPI Card	1
4	535-8385-00	Welded Hanger Bracket	2
5	509-2020-00	QR Reader	1
6	260-5000-00	Pinballs	6
7	500-6815-00	Bubble Level Assembly	1
8	510-7834-17	Shooter Lane Ramp	1
9	535-2434-00	Spinner Bracket	1
	515-7088-00	Spinner Target	1
10	535-0179-00	Spinner Bracket	1
	515-7088-00	Spinner Target	1
11	535-2056-00	Gate Bracket	1
	535-2057-00	Gate	1
12	545-5409-01	Reflector	1
	535-1324-01	Retaining Clip	1
13	535-2550-00	Spinner Bracket	1
	515-7088-01	Spinner Target	1
14	515-2417-00	Right Exit Wire Ramp	1
15	515-2453-00	Left Exit Wire Ramp	1
16	515-2410-00	Left Entrance Wire Ramp	1
17	515-2415-00	Right Entrance Wire Ramp	1
18	500-2562-00	Right Ramp	1

Figure 5.3.1. Major playfield assemblies, Top locations.

5.4 PLAYFIELD ASSEMBLIES, BOTTOM



ID	Part Number	Description	Qty
1	520-7017-72	Core Node Driver Board	2
2	520-8532-00	LED Board - 8c	1
3	520-8533-00	LED Board - 8b	1
4	520-8534-00	LED Board - 9a	1
5	520-8536-00	LED Board - 9b	1
6	520-8537-00	LED Board - 9c	1
7	520-8538-00	LED Board - 9a1	1
8	520-8539-00	LED Board - 9a2	1
9	535-0781-01	Playfield Support Rail	2
10	530-5133-00	Pivot Pin	2
11	535-5988-01	Edge Slide Bracket	2
12	535-2288-00	Handle	1

Figure 5.4.1. Major playfield assemblies, Bottom locations.

5.5 BACKBOX PARTS

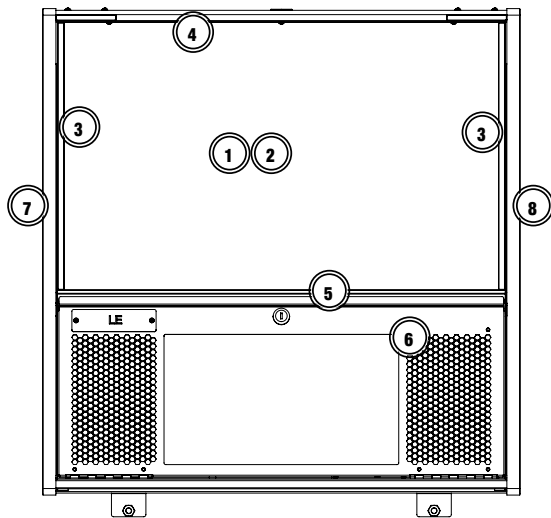


Figure 5.5.1. Backbox external assemblies and components

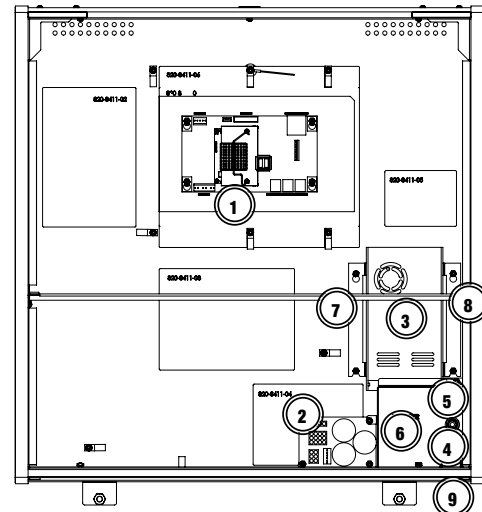


Figure 5.5.2. Backbox internal assemblies and components

EXTERNAL

ID	Part Number	Description	Qty
1	660-5052-00	Backglass	1
2	830-8427-T5	Translite Art	1
3	545-5018-17	Plastic Extrusion 15-.450"	2
4	545-5018-15	Glass Channel 26"	1
5	545-6313-01	Glass Lift Channel 26"	1
6	500-9996-00	LCD Speaker Panel Assembly	1
7	820-76T5-01	Left Backbox Decal	1
8	820-76T5-02	Right Backbox Decal	1

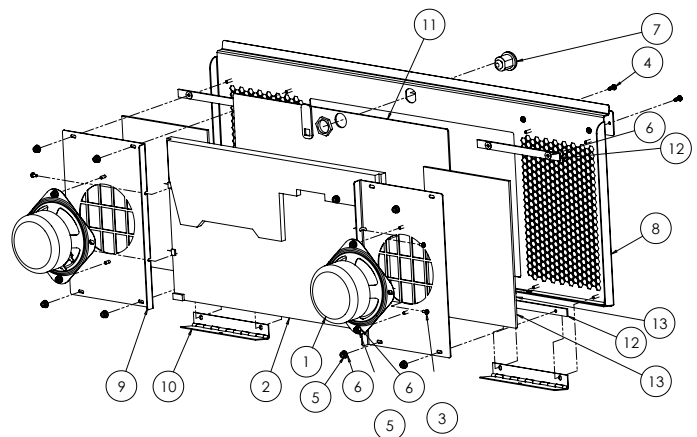
INTERNAL

ID	Part Number	Description	Qty
1	509-1003-01	CPU Node Board	1
2	520-8096-00	Power Distribution Board	1
3	011-5003-00	Power Supply 48V/500W	1
4	515-9769-00	Utility Outlet (USA)	1
5	205-5001-00	Fuse Holder-Screw in	1
	200-5000-05	8A SB Fuse	1
6	535-1130-00	Cover AC	1
7	535-1129-00	Power Supply Bracket	1
8	535-1129-01	Power Supply Bracket	1
9	180-5001-03	Power Switch	1

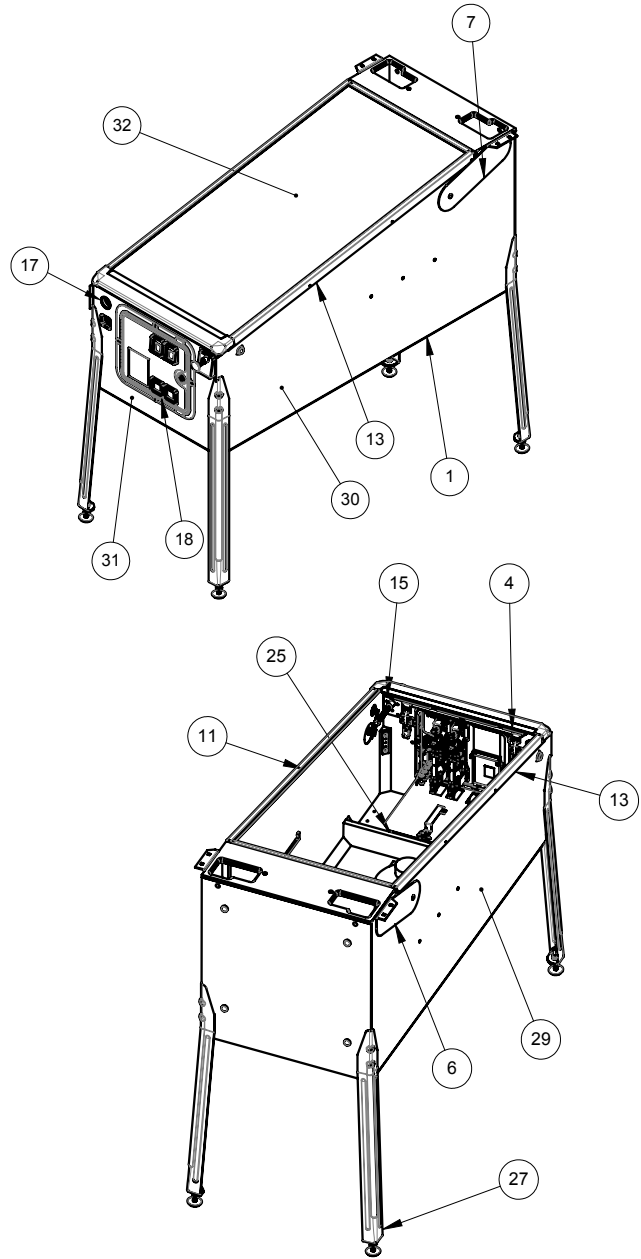
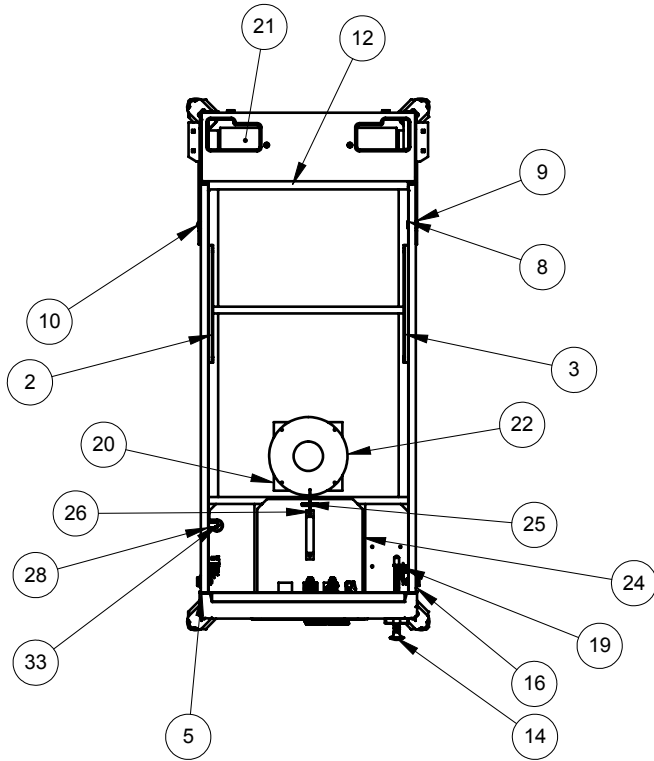
5.6 SPEAKER PANEL PARTS

500-9996-00

ID	Part Number	Description	Qty
1	031-5004-02	Speaker	2
2	116-0023-00	1366 x 768 Display LCD Panel	1
3	237-6188-01	Screw, M3x0.5 X 6MM PPH Sems Zinc	4
4	237-6307-06	6-32 X 3/8" Torx Stainless Steel Screw	2
5	240-5005-00	6-32 Nylon Stop Nut	12
6	242-5001-00	#6 Washer	16
7	355-5168-00-00	Nut: Lock w/ Cam	1
8	515-9842-00	Speaker Panel - LCD	1
9	515-9843-00	Speaker Plate	2
10	515-9845-00	Hinge, Speaker Panel, LCD	2
11	545-9877-00	LCD Window	1
12	545-9877-01	Spacer, Small - LCD Speaker Panel	4
13	626-5109-00	Speaker Foam - LCD Panel	2



5.7 CABINET PARTS

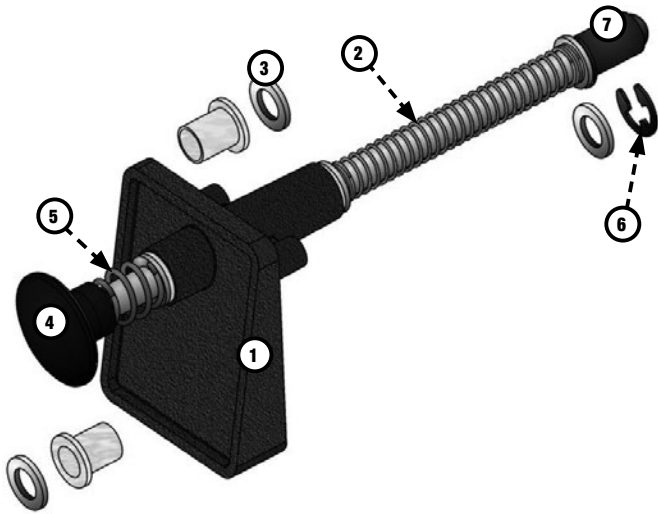


ID	Part Number	Description	Qty
1	525-6026-01	Cabinet Assembly, Single Button	1
2	535-5989-00	Slide & Pivot Bracket - Left Side	1
3	535-5990-00	Slide & Pivot Bracket - Right Side	1
4	535-2051-00	Cabinet Playfield Support Bracket	1
5	500-2440-00	Front Molding Assembly - Wrinkle Black	1
6	535-7999-00	Pivot Hinge, Left - Wrinkle Black	1
7	535-7999-01	Pivot Hinge, Right - Wrinkle Black	1
8	254-5042-00	Spacer Nut, Hex, 1/2"OD, 1/4-20	2
9	242-5084-00	Washer, 1/2" I.D., 3/16" THK	2
10	231-5072-00	1/4-20 X 1/2" Carriage Bolt	2
11	545-5017-00	Plastic Channel	2
12	545-5038-00	Glass Rear Extrusion	1
13	535-7297-02	Side Armor - Wrinkle Black	2
14	500-2600-04	Ball Shooter Assembly	1
15	535-5027-01	Plunger Support Plate, Notched	1
16	500-1169-35	Flipper Button Assembly (Blue)	2
17	500-1060-44-LED	Start Button	1
18	501-5018-173	Coin Door 2-Chute No Emboss	1
19	180-5160-01	Flipper Switch, Single	1
	180-5164-01	Flipper Switch, Double	1
20	545-5072-03	Grill - Speaker / Vent	1
21	545-5072-02	Grill - Speaker / Vent	1
22	031-5007-01	Speaker, Cabinet 8" Round, 4 ohm	1

23	545-5090-00	Cash Box - Plastic	1
24	535-5013-03	Cash Box Cover	1
25	535-7562-00	Cash Box Lock Bracket Wire	1
26	535-7772-00	Hair Pin Clip	1
27	500-5921-50	Leg Assembly - Wrinkle Black	4
28	516-0007-00	Tilt Assembly	1
29	820-76T5-03	Decal, Cabinet Left, Godzilla Pro	1
30	820-76T5-04	Decal, Cabinet Right, Godzilla Pro	1
31	820-76T5-05	Decal, Cabinet Front, Godzilla Pro	1
32	660-5001-00	Playfield Glass	1
33	520-6967-72	Cabinet Node Board	1
	820-76T5-XX	Cabinet Decal Replacement Set, Speaker Panel Decal Not Included	

5.8 BALL SHOOTER ASSEMBLY

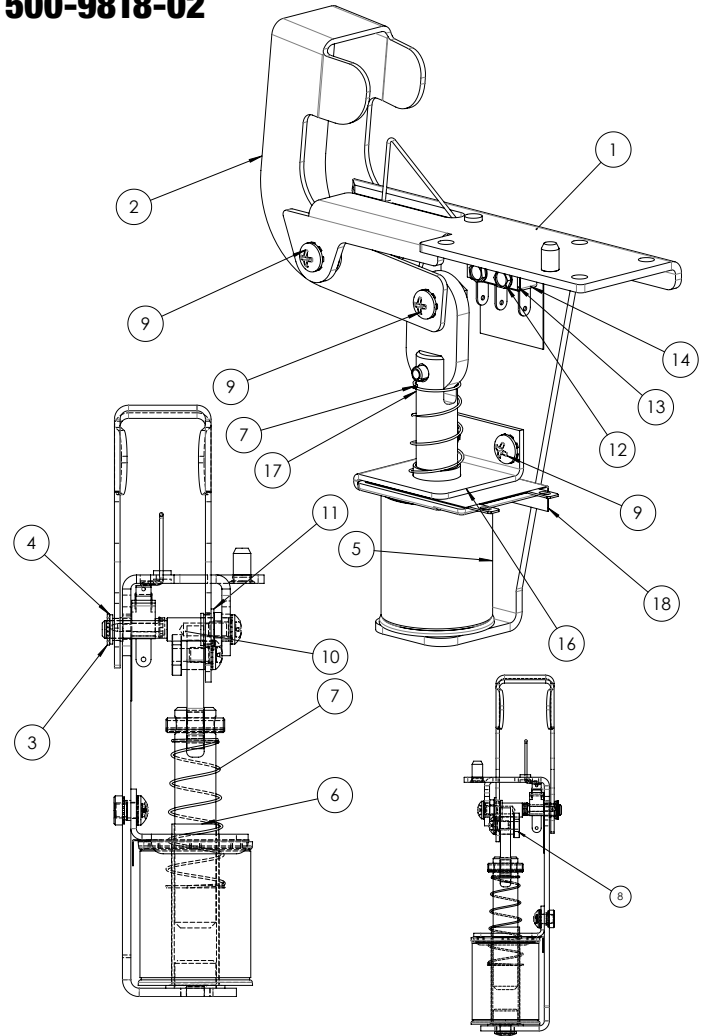
500-2600-04



ID	Part Number	Description	Qty
1	535-5067-02	HOUSING ASSEMBLY	1
2	266-5001-04	COMPRESSED SPRING (LONG) - GREEN	1
3	242-5014-00	WASHER 3/8 ID X 5/8 OD X 1/16"	3
4	515-6557-00	ROD ASSEMBLY	1
5	266-5010-00	COMPRESSED SPRING (SHORT)	1
6	270-5012-00	RETAINING RING, 3/8"	1
7	545-5276-00	RUBBER TIP	1

5.9 AUTO LAUNCH ASSEMBLY

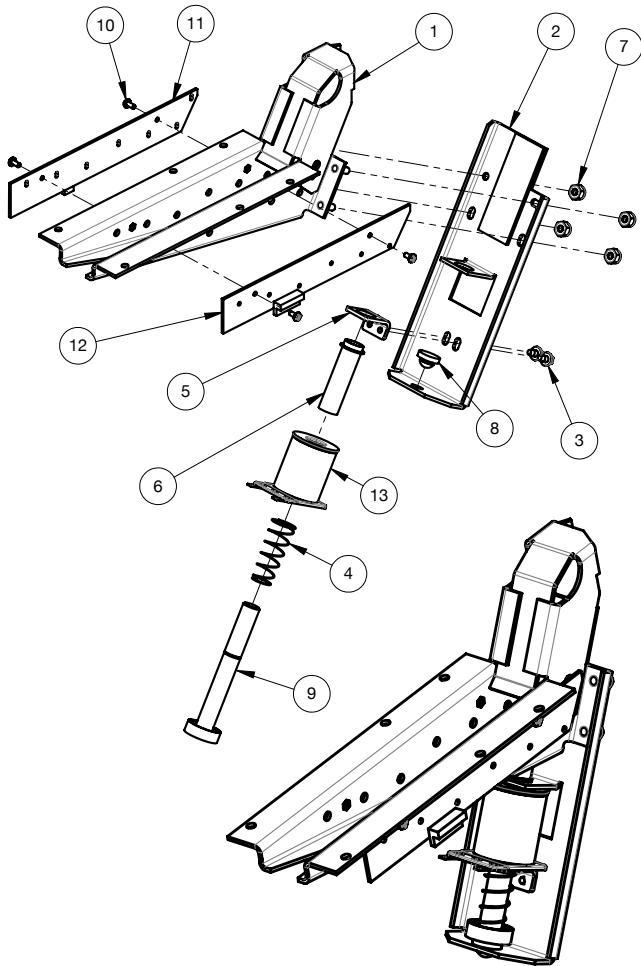
500-9818-02



ID	Part Number	Description	Qty
1	515-9689-00	MAIN BRKT: AUTO-PLUNGER	1
2	535-0728-00	KICKER ARM, AUTO-PLUNGER	1
3	270-5001-00	RETAINING E-RING, 3/16" SHAFT OD	1
4	545-5352-00	NYLINER, 3/16" SHAFT	1
5	090-5044-ND	COIL - 23-800, NO DIODE	1
6	545-5411-00	COIL SLEEVE	1
7	266-5020-00	COMPRESSION SPRING-CONICAL	1
8	530-7834-00	PIN: KICKER ARM, AUTO-PLUNGER	1
9	232-5300-00	SCREW, 8-32 X 1/4" PPH SEMS	4
10	530-7835-00	PIVOT, AUTO-PLUNGER	1
11	545-5423-00	NYLINER, 1/4" SHAFT, 4L1-FF	1
12	237-5937-02	SCREW, 2-56 X 1/2" HWH MS	2
13	535-6539-00	SWITCH BODY PROTECT PLATE	1
14	180-5157-01	SHOOTER SWITCH - SHORT ARM	1
15	545-6268-00	FISCHE PAPER	1
16	535-0762-00	COIL BRACKET-AUTOPLUNGER	1
17	515-6304-03	PLUNGER / LINK ASSEMBLY	1
18	545-0762-00	FISCHE PAPER: AUTO-LAUNCHER	1

5.10 BALL TROUGH ASSEMBLY

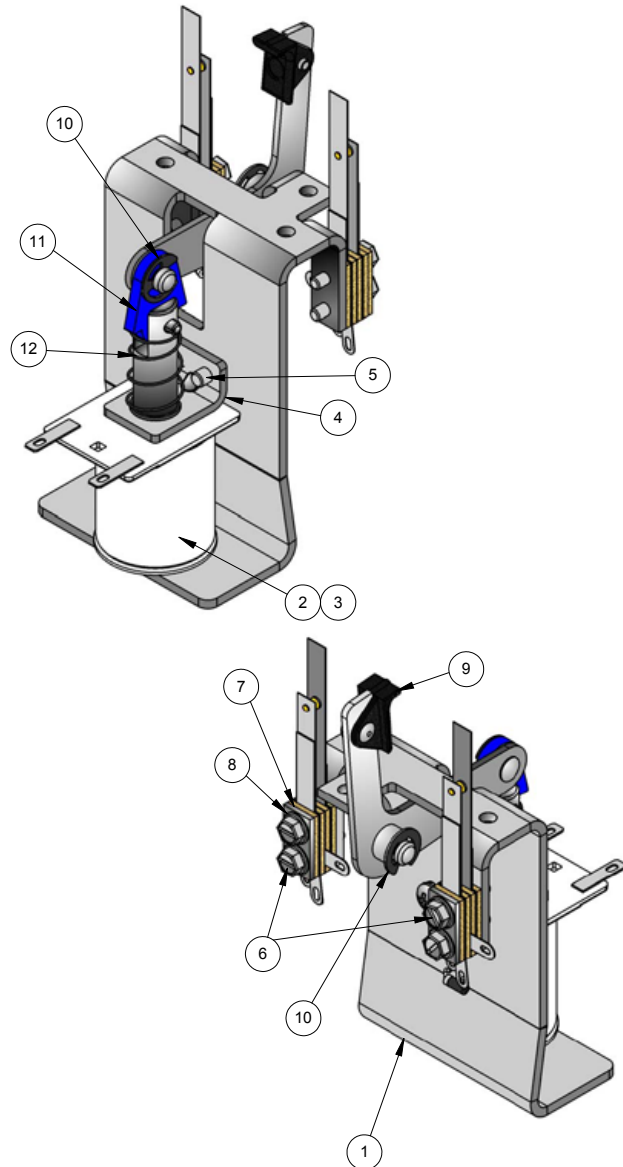
500-9820-01



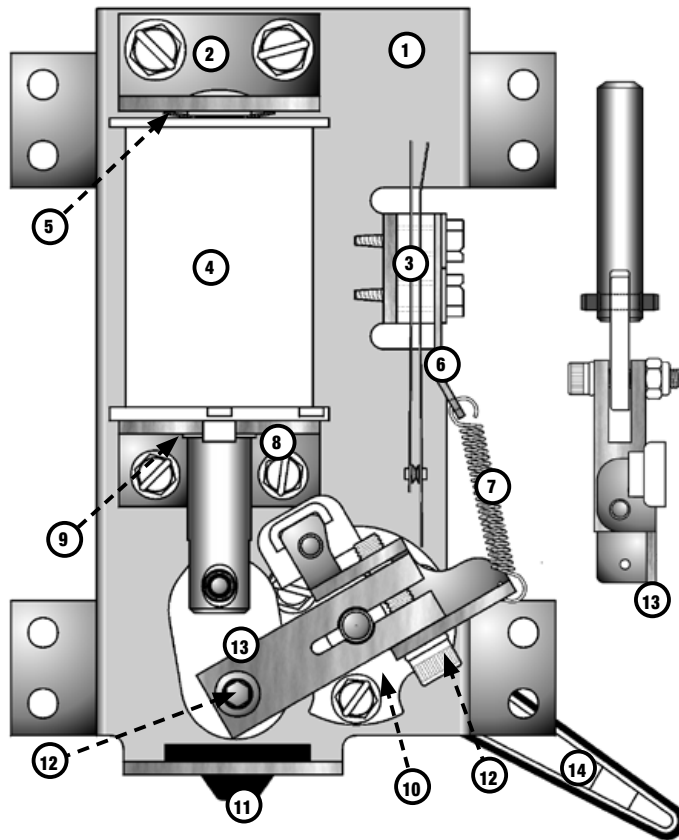
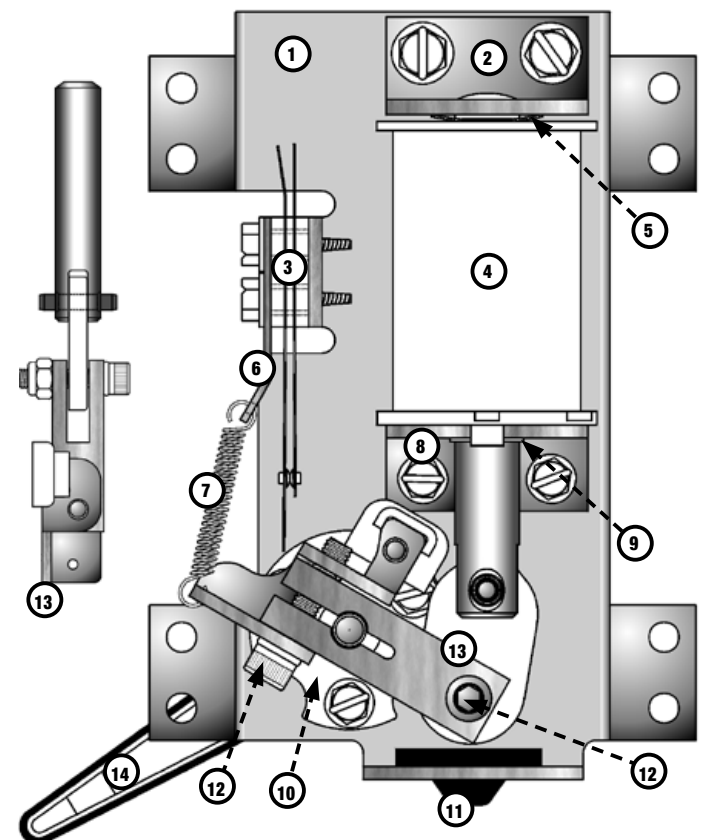
ID	Part Number	Description	Qty
1	515-7811-00	MAIN BRKT. BALL TROUGH	1
2	515-7812-00	COIL BRACKET, BALL TROUGH	1
3	237-5975-04	SCREW, 8-32 X 1/4" HWH SWAGE SERR	2
4	266-5020-00	COMPRESSION SPRING-CONICAL	1
5	535-5203-03	COIL RETAINING BRACKET	1
6	545-5076-01	COIL SLEEVE	1
7	240-5102-00	8-32 NYLON LOCK NUT	4
8	545-5105-00	RUBBER BUMPER	1
9	515-7309-01	PLUNGER ASSEMBLY	1
10	237-5909-00	SCREW, 4-40 X 1/4" PPH SEMS	4
11	520-5344-00	TROUGH BOARD #1 - ILED TRANSMITTER	1
12	520-8516-00	TROUGH BOARD #2 - RECEIVER	1
13	090-5004-ND	COIL 27-1500 - NO DIODE	1
98*	605-5006-00	SHRINK TUBING 1/8"	.42 FT.
99*	036-5611-11-F5	CABLE TROUGH OPTOS	1

5.11 SLINGSHOT ASSEMBLY

500-9920-01



ID	Part Number	Description	Qty
1	515-5339-01	SLINGSHOT BRACKET ASSEMBLY	1
2	090-5044-ND	COIL 26-1200 - NO DIODE	1
3	545-5031-00	COIL SLEEVE	1
4	535-5203-03	COIL RETAINER BRACKET	1
5	232-5301-00	8-32 X 3/8 PPH MS EXT SEMS ZC	2
6	180-5231-00	SWITCH SLING SHOT 2 LUG CENTER	2
7	535-5045-00	SWITCH PLATE	2
8	237-5976-04	6-32 X 5/8 SLOT SER HWH SW	4
9	515-5340-01	ARM & TIP ASSEMBLY	1
10	270-5002-00	RETAINING RING - 1/4 DIA	2
11	515-5338-00	PLUNGER & LINK ASSEMBLY	1
12	266-5020-00	COMP SPRING CONICAL	1
13	036-5604-00	4" GENERIC JUMPER	2

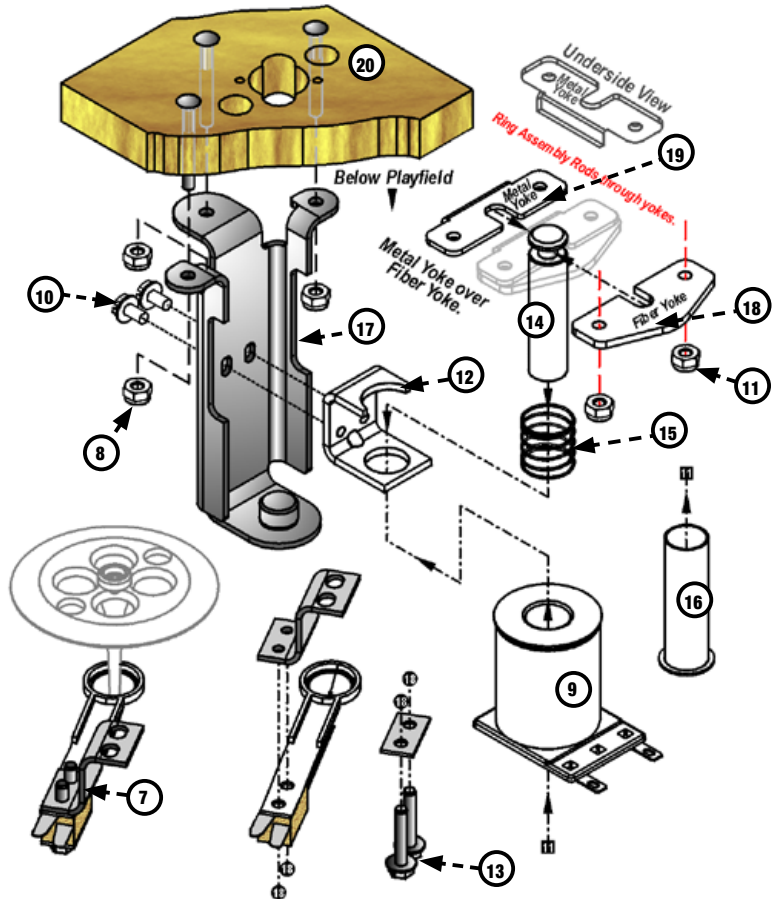
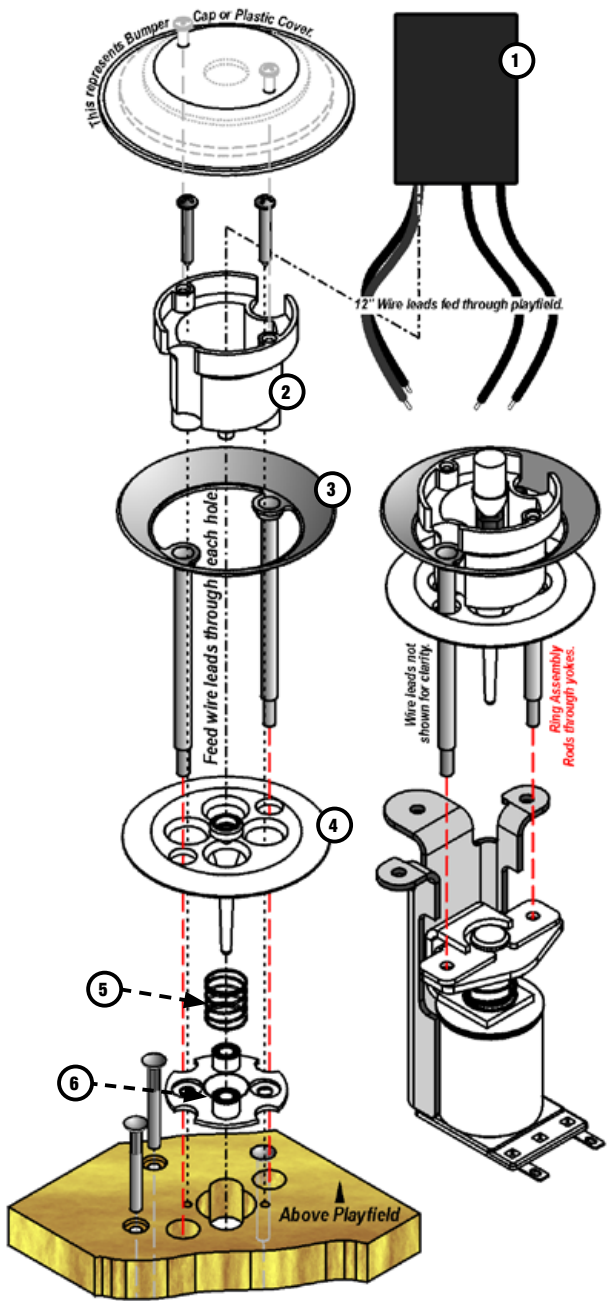
5.12 FLIPPER ASSEMBLY, LEFT**LOWER: 500-6543-12-ND****UPPER: 500-6543-14-ND****5.13 FLIPPER ASSEMBLY, RIGHT****500-6543-01-ND**

ID	Part Number	Description	Qty
1	515-6617-01	FLIPPER BASE PLATE LEFT KIT W/ BRACKET MOUNT HARDWARE	1
2	515-6308-01	COIL STOP BRACKET	1
3	180-5149-00	SWITCH - END OF STROKE N/C	1
4	090-5032-ND	COIL [LOWER]	1
	090-5030-ND	COIL [UPPER]	1
5	269-5002-00	SPRING WASHER	1
6	535-7354-00	SWITCH RETURN SPRING BRACKET	1
7	265-5035-00	SPRING FLIPPER RETURN	1
8	535-7356-00	COIL SUPPORT BRACKET	1
9	545-5388-00	COIL SLEEVE, FLIPPER	1
10	545-5070-00	FLIPPER BAT BUSHING	1
11	545-5428-00	FLIPPER BUMPER PAD	1
12	237-6144-00	SET SCREW #10-32 x 3/4" SOCKET	2
13	515-7203-01	PLUNGER/CRANK ASSEMBLY, LEFT	1
14	515-5133-06-06	FLIPPER BAT AND SHAFT*	1
	500-6307-10	FLIPPER REBUILD KIT, LEFT	
		* Refer to game rubber chart for flipper rubber color and part number.	

ID	Part Number	Description	Qty
1	515-6617-00	FLIPPER BASE PLATE RIGHT KIT W/ BRACKET MOUNTING HARDWARE	1
2	515-6308-01	COIL STOP BRACKET	1
3	180-5149-00	SWITCH - END OF STROKE N/C [LOWER FLIPPER ONLY]	1
4	090-5020-20-ND	COIL	1
5	269-5002-00	SPRING WASHER	1
6	535-7354-00	SWITCH RETURN SPRING BRACKET	1
7	265-5035-00	SPRING FLIPPER RETURN	1
8	535-7356-00	COIL SUPPORT BRACKET	1
9	545-5388-00	COIL SLEEVE, FLIPPER	1
10	545-5070-00	FLIPPER BAT BUSHING	1
11	545-5428-00	FLIPPER BUMPER PAD	1
12	237-6144-00	SET SCREW #10-32 x 3/4" SOCKET	2
13	515-7203-00	PLUNGER/CRANK ASSEMBLY	1
14	515-5133-08-06	FLIPPER BAT AND SHAFT*	1
	500-6307-00	FLIPPER REBUILD KIT, RIGHT	
		* Refer to game rubber chart for flipper rubber color and part number.	

5.14 POP BUMPER ASSEMBLY

516-6784-XX



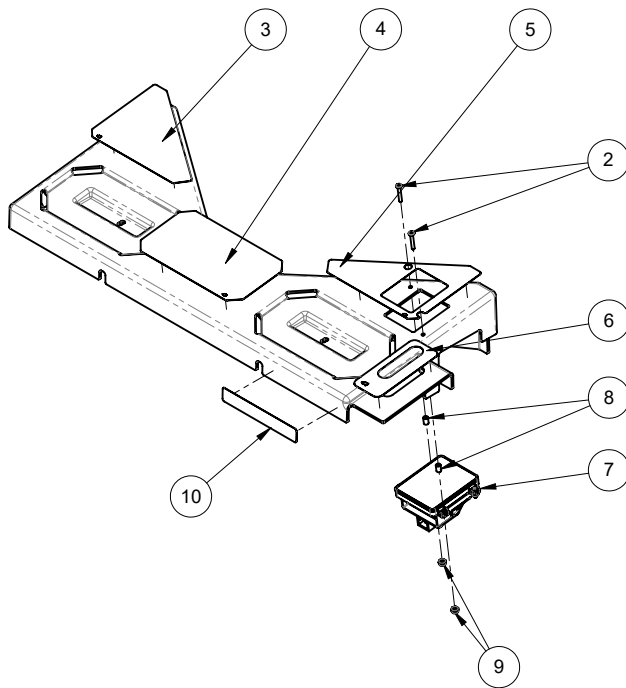
Part Number	Description	Qty
515-6459-01L	BUMPER/RING TOP ASSY, W/ LED 1	1
515-6459-04-ND	BUMPER BOTTOM ASSY, NO DIODE	1

ID	Part Number	Description	Qty
1	520-5307-03	POP BUMPER LED MODULE	1
2	545-5197-00	BUMPER BODY	1
3	515-5085-00	RING AND ROD ASSY	1
4	545-5607-00	BUMPER SKIRT	1
5	266-5048-00	BUMPER SKIRT COMP SPRING	1
6	545-5195-00	BUMPER BASE	1

ID	Part Number	Description	Qty
7	500-9934-01	POP BUMPER SWITCH ASSY-2 - LUG-LEFT	1
8	240-5005-00	6-32 NYLON STOP NUT	3
9	090-5044-ND	COIL - 26-1200	1
10	237-5976-01	#6-32 X 1/4" SHWH SWAGE ZN	2
11	240-5005-00	#6-32 NYLON STOP NUT	2
12	535-7347-00	METAL YOKE STOP	1
13	234-5101-00	* 8 X 1/2 SLT	6
14	530-5348-00	PLUNGER, POP BUMPER	1
15	266-5047-00	COMPRESSION SPRING, POP BUMPER	1
16	545-5031-00	COIL SLEEVE	1
17	515-5939-00	COIL BRACKET POP BUMPER ASSY	1
18	545-5609-00	FIBER YOKE	1
19	535-7346-00	METAL YOKE	1
20	237-5957-00	#6-32 x 1-3/16" SPIRAL FIN SHANK SCREW	3

5.15 BOTTOM ARCH ASSEMBLY

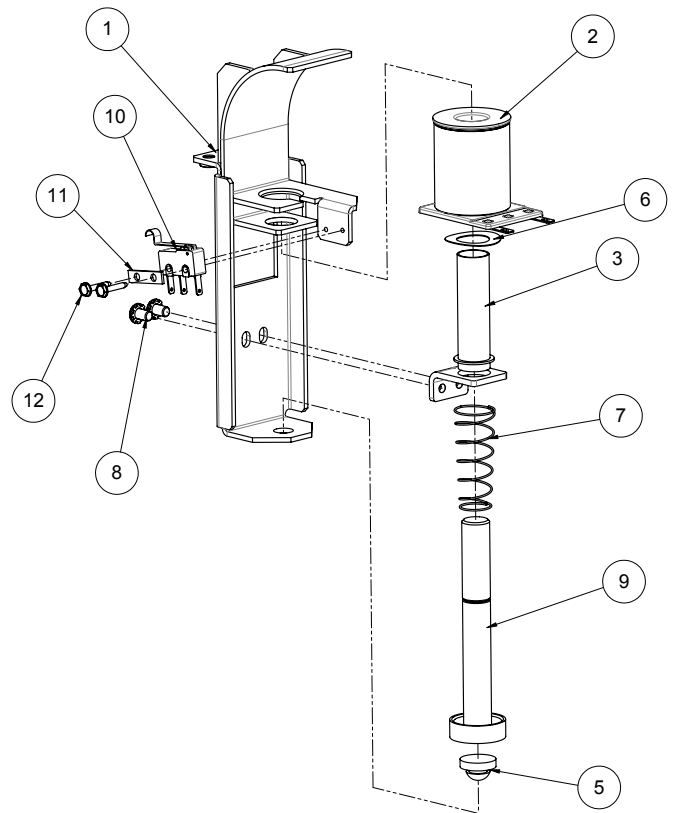
500-2512-XX



ID	Part Number	Description	Qty
1	545-1238-00	BOTTOM ARCH, PLASTIC, QR READY, W/ FLASHER HOLES	1
2	237-5887-01	SCREW, 4-40 X 3/4" PPH MS BLACK	2
3	820-96XX-01	PLASTIC ARCH DECAL SET -01	1
4	820-96XX-02	PLASTIC ARCH DECAL SET -02	1
5	820-96XX-03	PLASTIC ARCH DECAL SET -03	1
6	820-96XX-04	PLASTIC ARCH DECAL SET -04	1
7	509-2020-00	QR SCANNER M306 ASSEMBLY	1
8	254-5090-04	PLASTIC SPACER #4 SCREW, 3/16" OD - 9/32" LENGTH	2
9	240-5303-00	4-40 NYLON LOCK NUT	2
10	820-5422-00	WARNING DECAL, BOTTOM ARCH, QR READER	1

5.16 EJECT VUK ASSEMBLY

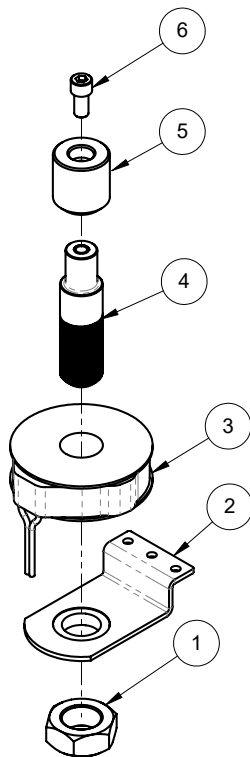
500-1050-00



ID	Part Number	Description	Qty
1	515-9984-00	BRACKET - EJECT - 2 FIN	1
2	090-5044-ND	COIL 26-1200 - NO DIODE	1
3	545-5076-01	COIL SLEEVE	1
4	535-5203-03	COIL RETAINING BRACKET	1
5	545-5105-00	RUBBER BUMPER	1
6	269-5002-00	SPRING WASHER	1
7	266-5020-00	COMPRESSION SPRING-CONICAL	1
8	232-5300-00	SCREW, 8-32 X 1/4" PPH SEMS	2
9	515-7309-00	PLUNGER ASSEMBLY	1
10	180-5209-00	SUB MINIATURE SWITCH - SIM. ROLLER	1
11	535-6539-00	SWITCH BODY PROTECT PLATE	1
12	237-5937-02	SCREW, 2-56 X 1/2" HWH MS	2

5.17 NEWTON MAGNET ASSEMBLY

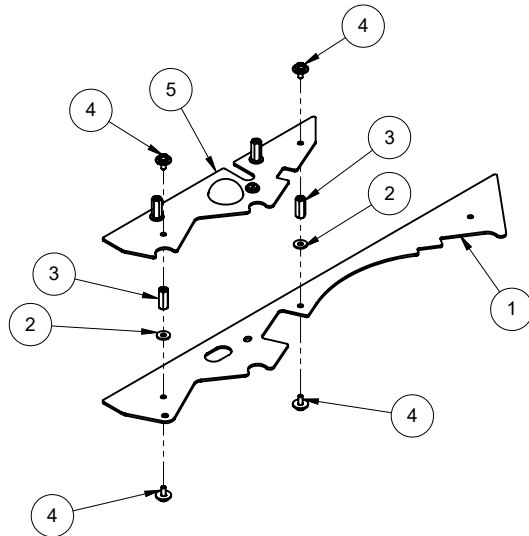
511-5806-00



ID	Part Number	Description	Qty
1	240-5315-00	3/4-16 HEX JAM NUT	1
2	515-2435-00	BRACKET, MAGNET, SINGLE SIDED ASM	1
3	090-5076-00	MAGNET COIL, 22-650	1
4	530-1116-00	MAGNET CORE, MAGNETIC NEWTON BALL	1
5	530-1108-00	CAP, MAGNET	1
6	237-6348-00	SCREW, 1/4-20 X 1/2" SHCS	1

5.18 PLASTIC 07 ASSEMBLY

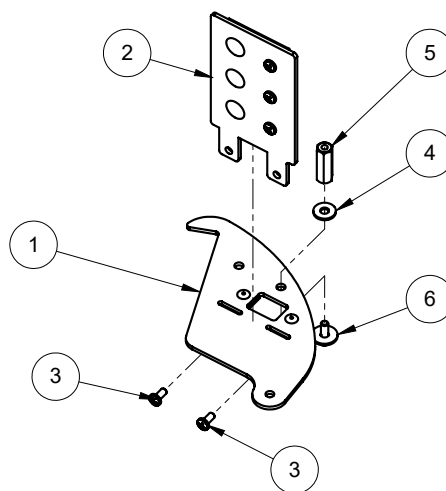
511-5930-07



ID	Part Number	Description	Qty
1	830-1156-07	PLASTIC, GODZILLA PRO, -07	1
2	242-5001-00	#6 WASHER	2
3	254-5008-02	HEX SPACER - 5/8 "	2
4	237-6378-00	#6-32 X 3/8 PAN PHILLIPS w/DOUBLE SEMS	4
5	511-5930-57	PLASTIC ASM, GODZILLA PRO, -57	1

5.19 PLASTIC 08 ASSEMBLY

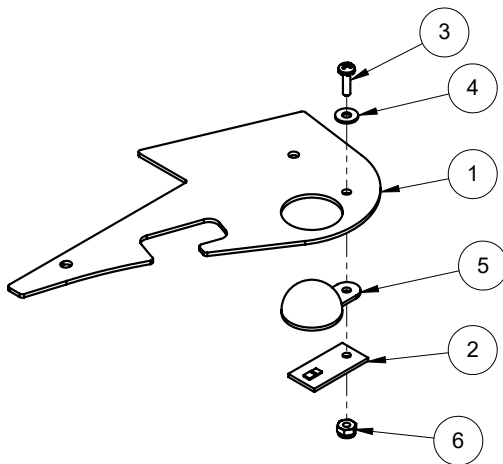
511-5930-08



ID	Part Number	Description	Qty
1	510-5801-08	RIVETED PLASTIC ASM, GODZILLA PRO, -08	1
2	511-5930-71	PLASTIC ASM, GODZILLA PRO, -71	1
3	237-6331-00	SCREW, 4-40 X 1/4" PPH MS BLACK	2
4	242-5001-00	#6 WASHER	1
5	254-5008-04	HEX SPACER - 3/4 "	1
6	237-6378-00	#6-32 X 3/8 PAN PHILLIPS w/DOUBLE SEMS	1

5.20 PLASTIC 13 ASSEMBLY

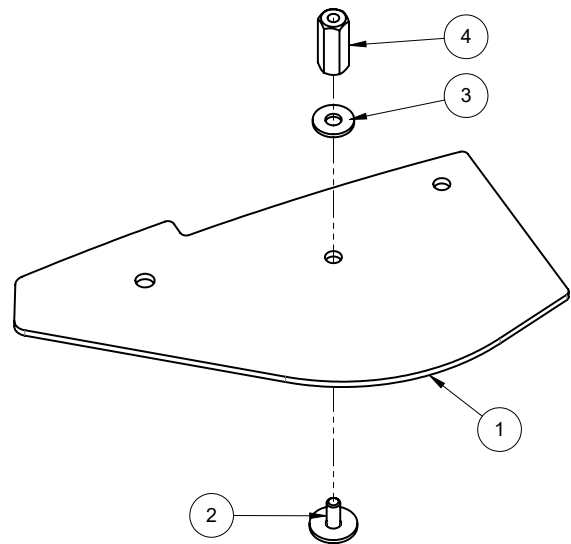
511-5930-13



ID	Part Number	Description	Qty
1	830-1156-13	PLASTIC, GODZILLA PRO, -13	1
2	520-7000-00	SINGLE FLASH LED BOARD	1
3	232-5202-00	SCREW, 6-32 X 1/2" PPH MS SEMS	1
4	242-5001-00	#6 WASHER	1
5	550-5510-02	HAT - TRIMMED - RED SB	1
6	240-5005-00	6-32 NYLON STOP NUT	1

5.22 PLASTIC 16 ASSEMBLY

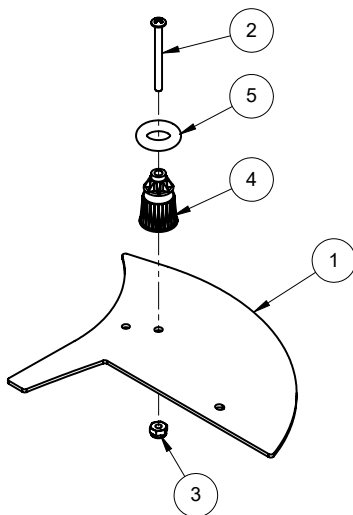
511-5930-16



ID	Part Number	Description	Qty
1	830-1156-16	PLASTIC, GODZILLA PRO, -16	1
2	237-6378-00	#6-32 X 3/8 PAN PHILLIPS w/DOUBLE SEMS	1
3	242-5001-00	#6 WASHER	1
4	254-5008-02	HEX SPACER - 5/8 "	1

5.21 PLASTIC 14 ASSEMBLY

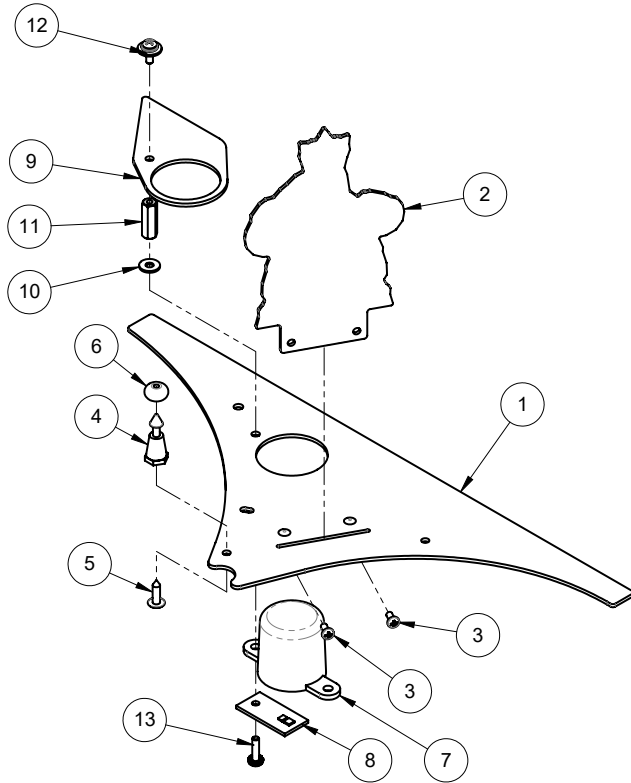
511-5930-14



ID	Part Number	Description	Qty
1	830-1156-14	PLASTIC, GODZILLA PRO, -14	1
2	237-5510-00	SCREW, 6-32 X 1-1/2" PPH MS	1
3	240-5005-00	6-32 NYLON STOP NUT	1
4	550-5034-01	GROOVED JEWEL PLASTIC POST, CLEAR	1
5	545-5348-03	3/8" I.D., BLACK RUBBER	1

5.23 PLASTIC 19 ASSEMBLY

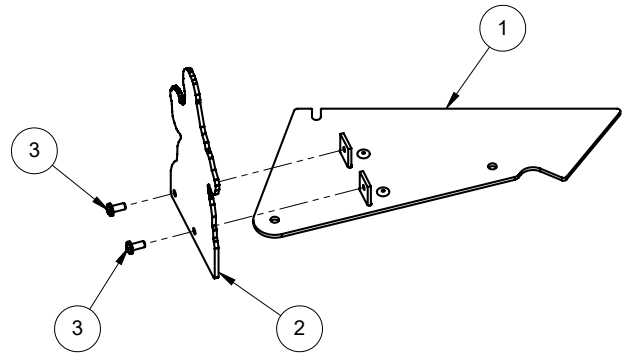
511-5930-19



ID	Part Number	Description	Qty
1	510-5801-19	RIVETED PLASTIC ASM, GODZILLA PRO, -19	1
2	830-1156-30	PLASTIC, GODZILLA PRO, -30	1
3	237-6331-00	SCREW, 4-40 X 1/4" PPH MS BLACK	2
4	550-5052-01	MINI POST - CLEAR	1
5	237-5809-00	SCREW, #6 X 1/2" PTH A	1
6	545-5348-17	7/16 O.D. RUBBER RING - BLACK	1
7	550-5031-02	MINI MARS W/ EARS - RED SB	1
8	520-7000-00	SINGLE FLASH LED BOARD	1
9	830-1156-31	PLASTIC, GODZILLA PRO, -31	1
10	242-5001-00	#6 WASHER	1
11	254-5008-04	HEX SPACER - 3/4 "	1
12	237-6378-00	#6-32 X 3/8 PAN PHILLIPS w/DOUBLE SEMS	1
13	232-5202-00	SCREW, 6-32 X 1/2" PPH MS SEMS	1

5.24 PLASTIC 22 ASSEMBLY

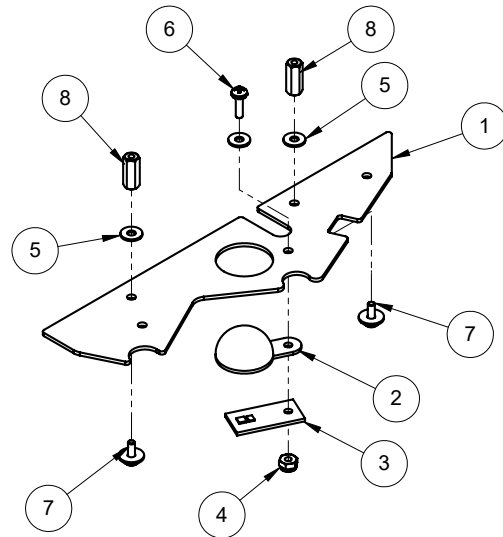
511-5930-22



ID	Part Number	Description	Qty
1	510-5801-22	RIVETED PLASTIC ASM, GODZILLA PRO, -22	1
2	830-1156-32	PLASTIC, GODZILLA PRO, -32	1
3	237-6331-00	SCREW, 4-40 X 1/4" PPH MS BLACK	2

5.25 PLASTIC 57 ASSEMBLY

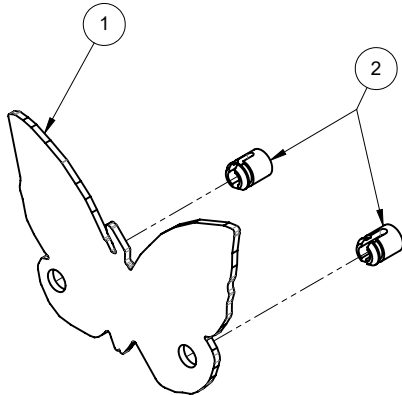
511-5930-57



ID	Part Number	Description	Qty
1	830-1156-57	PLASTIC ASM, GODZILLA PRO, -57	1
2	550-5510-06	HAT - TRIMMED - YELLOW SB	1
3	520-7000-00	SINGLE FLASH LED BOARD	1
4	240-5005-00	6-32 NYLON STOP NUT	1
5	242-5001-00	#6 WASHER	3
6	232-5202-00	SCREW, 6-32 X 1/2" PPH MS SEMS	1
7	237-6378-00	#6-32 X 3/8 PAN PHILLIPS w/DOUBLE SEMS	2
8	254-5008-02	HEX SPACER - 5/8 "	2

5.26 PLASTIC 67 ASSEMBLY

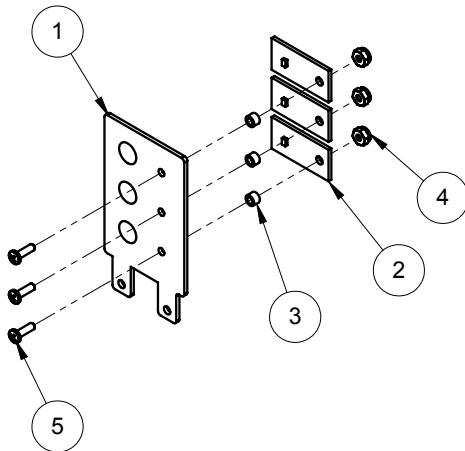
511-5930-67



ID	Part Number	Description	Qty
1	830-1156-67	PLASTIC, GODZILLA PRO, -67	1
2	254-5007-02	1/4" SELF RETAINING SPACER	2

5.27 PLASTIC 71 ASSEMBLY

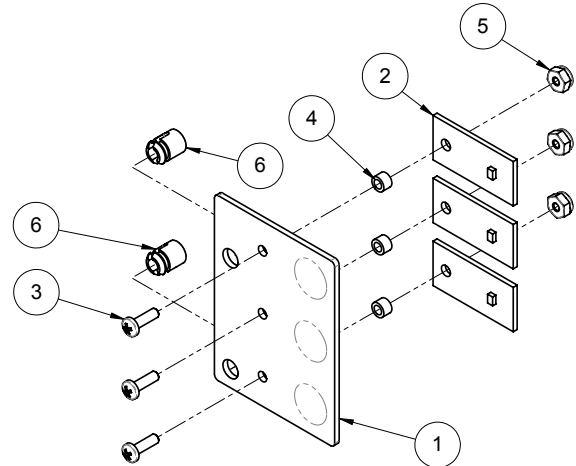
511-5930-71



ID	Part Number	Description	Qty
1	830-1156-71	PLASTIC, GODZILLA PRO, -71	1
2	520-5307-00	SINGLE LED PCB	3
3	254-5090-03	PLASTIC SPACER #4 SCREW, 3/16" OD - 1/8" LENGTH	3
4	240-5303-00	4-40 NYLON LOCK NUT	3
5	237-5997-00	SCREW, 4-40 X 3/8" PPH MS BLACK	3

5.28 PLASTIC 77 ASSEMBLY

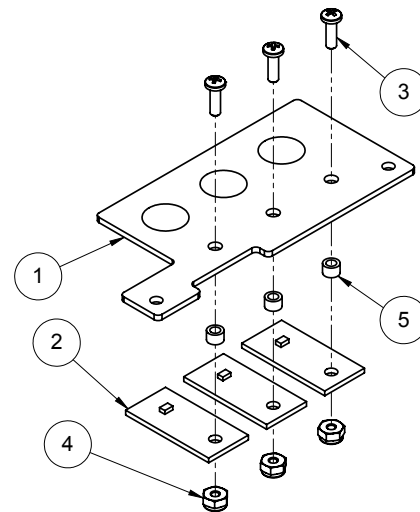
511-5930-77



ID	Part Number	Description	Qty
1	830-1156-77	PLASTIC, GODZILLA PRO, -77	1
2	520-5307-00	SINGLE LED PCB	3
3	237-5997-00	SCREW, 4-40 X 3/8" PPH MS BLACK	3
4	254-5090-03	PLASTIC SPACER #4 SCREW, 3/16" OD - 1/8" LENGTH	3
5	240-5303-00	4-40 NYLON LOCK NUT	3
6	254-5007-02	1/4" SELF RETAINING SPACER	2

5.29 PLASTIC 83 ASSEMBLY

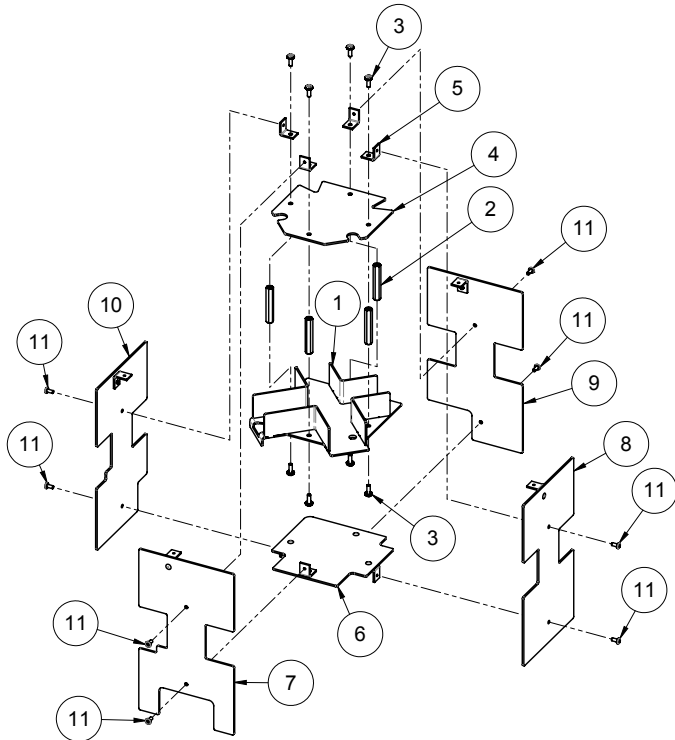
511-5930-83



ID	Part Number	Description	Qty
1	830-1156-83	PLASTIC, GODZILLA PRO, -83	1
2	520-5307-00	SINGLE LED PCB	3
3	237-5997-00	SCREW, 4-40 X 3/8" PPH MS BLACK	3
4	240-5303-00	4-40 NYLON LOCK NUT	3
5	254-5090-03	PLASTIC SPACER #4 SCREW, 3/16" OD - 1/8" LENGTH	3

5.30 BUILDING ASSEMBLY

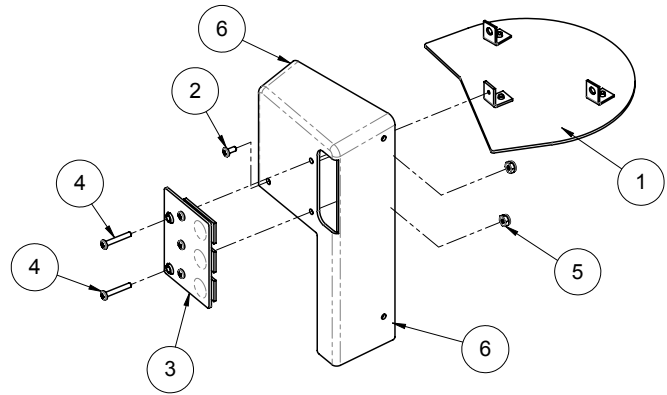
511-5932-00



ID	Part Number	Description	Qty
1	535-2661-00	BUILDING FLOOR, PRO	1
2	254-5008-09	HEX SPACER - 1 1/2 "	4
3	232-5201-00	SCREW, 6-32 X 3/8" PPH MS SEMS	8
4	830-1156-28	PLASTIC, GODZILLA PRO, -28	1
5	535-1305-00	BRACKET - PLASTIC MTG - 90°	4
6	510-5801-29	RIVETED PLASTIC ASM, GODZILLA PRO, -29	1
7	510-5801-91	RIVETED PLASTIC ASM, GODZILLA PRO, -91	1
8	510-5801-92	RIVETED PLASTIC ASM, GODZILLA PRO, -92	1
9	510-5801-93	RIVETED PLASTIC ASM, GODZILLA PRO, -93	1
10	510-5801-94	RIVETED PLASTIC ASM, GODZILLA PRO, -94	1
11	237-6331-00	SCREW, 4-40 X 1/4" PPH MS BLACK	8
12	830-1156-97	PLASTIC, GODZILLA PRO, -97	1
13	237-6331-00	SCREW, 4-40 X 1/4" PPH MS BLACK	4

5.31 RIGHT BUILDING ASSEMBLY

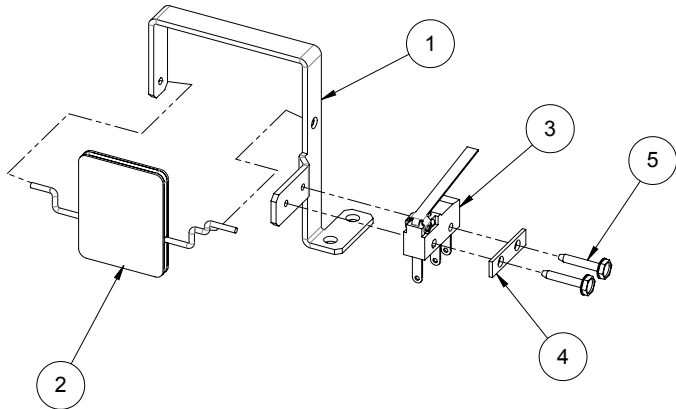
511-5961-01



ID	Part Number	Description	Qty
1	510-5801-62	RIVETED PLASTIC ASM, GODZILLA PRO, -62	1
2	237-6331-00	SCREW, 4-40 X 1/4" PPH MS BLACK	1
3	511-5930-77	PLASTIC ASM, GODZILLA PRO, -77	1
4	237-5887-01	SCREW, 4-40 X 3/4" PPH MS BLACK	2
5	240-5303-00	4-40 NYLON LOCK NUT	2
6	545-1302-03	VAC FORMED BUILDING, GODZILLA, RIGHT	1

5.32 LEFT NARROW SPINNER ASSEMBLY

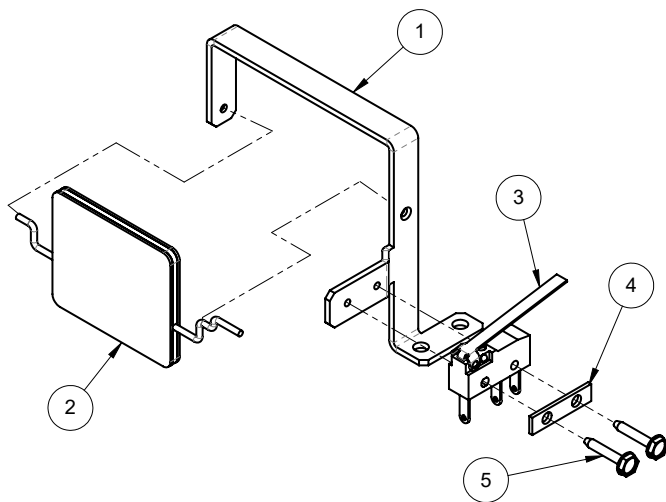
511-7655-00



ID	Part Number	Description	Qty
1	535-0179-00	SPINNER BRACKET, SIDE MOUNT	1
2	515-7088-00	SPINNER TARGET, NARROW	1
3	180-5010-04	MICRO-SWITCH	1
4	535-6539-00	SWITCH BODY PROTECT PLATE	1
5	237-5937-02	SCREW, 2-56 X 1/2" HWH MS	2

5.33 LEFT WIDE SPINNER ASSEMBLY

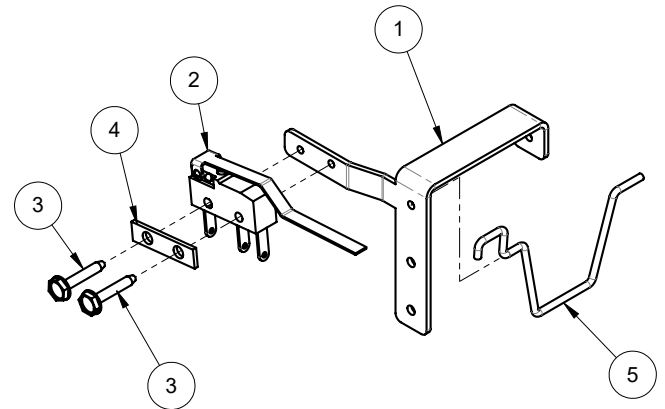
511-5786-00



ID	Part Number	Description	Qty
1	535-2550-00	SPINNER BRACKET, SIDE MOUNT, WIDE	1
2	515-7088-01	SPINNER TARGET, LARGE	1
3	180-5010-04	MICRO-SWITCH	1
4	535-6539-00	SWITCH BODY PROTECT PLATE	1
5	237-5937-02	SCREW, 2-56 X 1/2" HWH MS	2

5.34 ROLLUNDER SWITCH ASSEMBLY

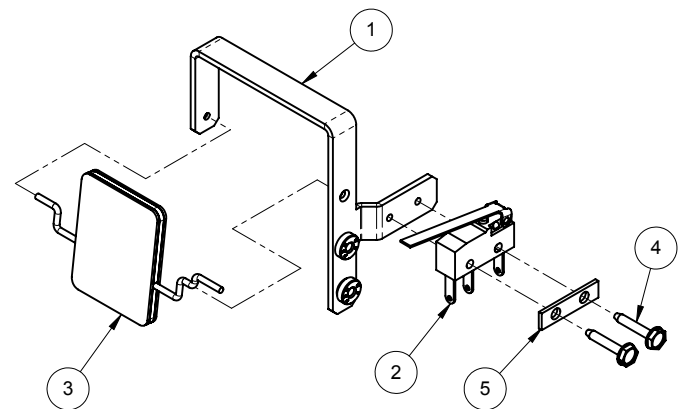
511-7963-00



ID	Part Number	Description	Qty
1	535-2056-00	BRACKET, ROLLUNDER GATE, BG MNT	1
2	180-5087-00	SWITCH - GATE	1
3	237-5937-02	SCREW, 2-56 X 1/2" HWH MS	2
4	535-6539-00	SWITCH BODY PROTECT PLATE	1
5	535-2057-00	WIRE, ROLLUNDER GATE, BG MNT	1

5.35 BALL GUIDE SPINNER ASSEMBLY

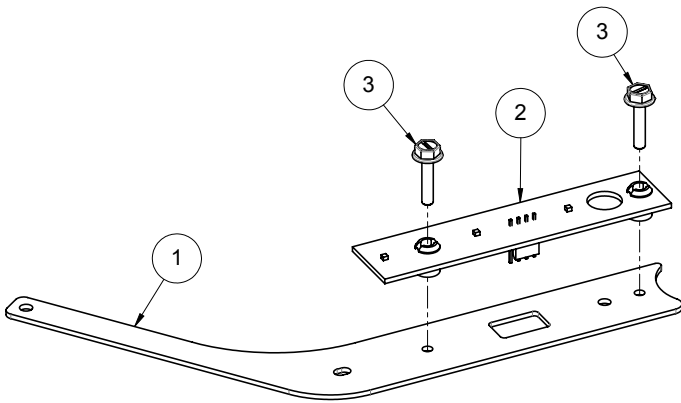
511-5763-00



ID	Part Number	Description	Qty
1	535-2434-00	BRACKET, BG MOUNT SPINNER, RIGHT HAND	1
2	180-5010-04	MICRO-SWITCH	1
3	515-7088-00	SPINNER TARGET, NARROW	1
4	237-5937-02	SCREW, 2-56 X 1/2" HWH MS	2
5	535-6539-00	SWITCH BODY PROTECT PLATE	1

5.36 BALL GUIDE 01 ASSEMBLY

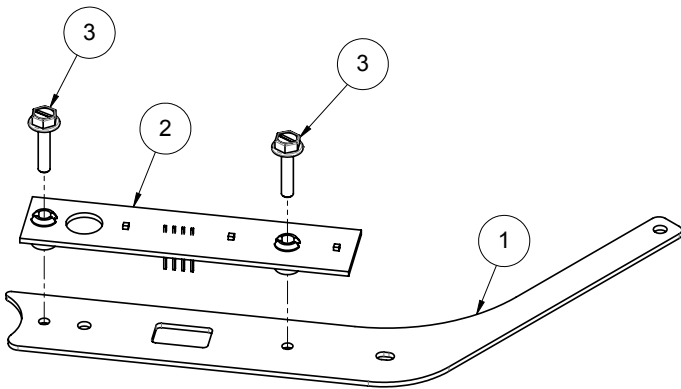
511-5773-01



ID	Part Number	Description	Qty
1	535-2477-02	BALL GUIDE, INLANE, LIGHTED	1
2	520-8531-00	PCA INLANE 3W LED BOARD	1
3	237-5976-04	SCREW, 6-32 X 5/8" HWH SWAGE	2

5.37 BALL GUIDE 02 ASSEMBLY

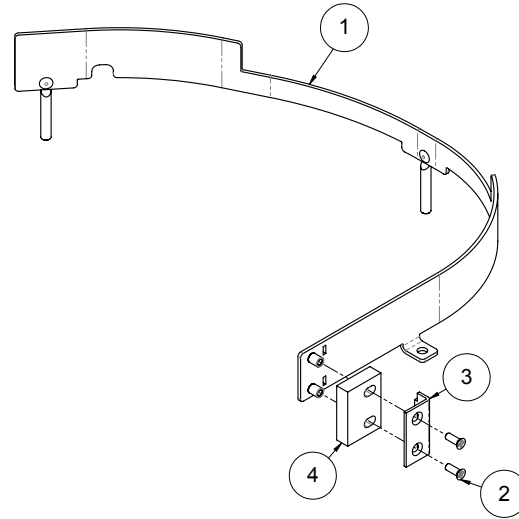
511-5773-02



ID	Part Number	Description	Qty
1	535-2477-02	BALL GUIDE, INLANE, LIGHTED	1
2	520-8531-00	PCA INLANE 3W LED BOARD	1
3	237-5976-04	SCREW, 6-32 X 5/8" HWH SWAGE	2

5.38 BALL GUIDE 03 ASSEMBLY

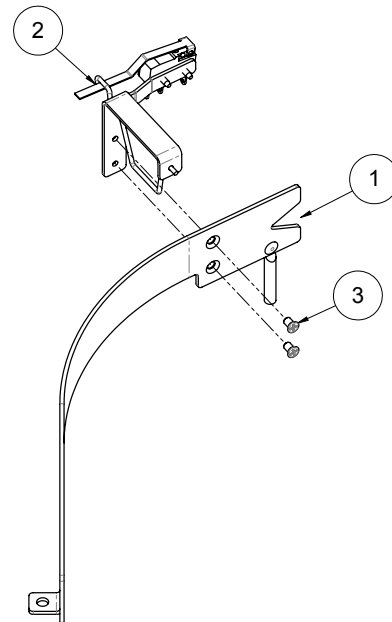
511-5773-03



ID	Part Number	Description	Qty
1	535-2477-03	BALL GUIDE, GODZILLA, -03	1
2	237-6151-00	SCREW, 4-40 X 5/16" PFH U/C MS	2
3	535-9366-01	BUMPER HOLDER	1
4	626-5057-01	RUBBER BUMPER - BLUE	1

5.39 BALL GUIDE 05 ASSEMBLY

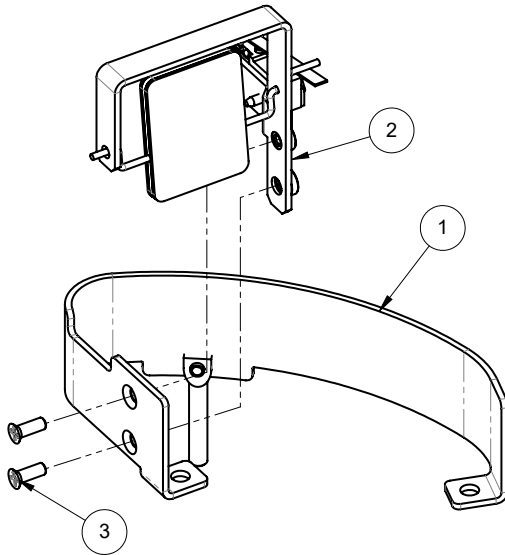
511-5773-05



ID	Part Number	Description	Qty
1	535-2477-05	BALL GUIDE, GODZILLA, -05	1
2	511-7963-00	RAMP ROLLUNDER GATE, ASM	1
3	237-6087-00	4-40 x 3/16 PFH MS - ZINC	2

5.40 BALL GUIDE 06 ASSEMBLY

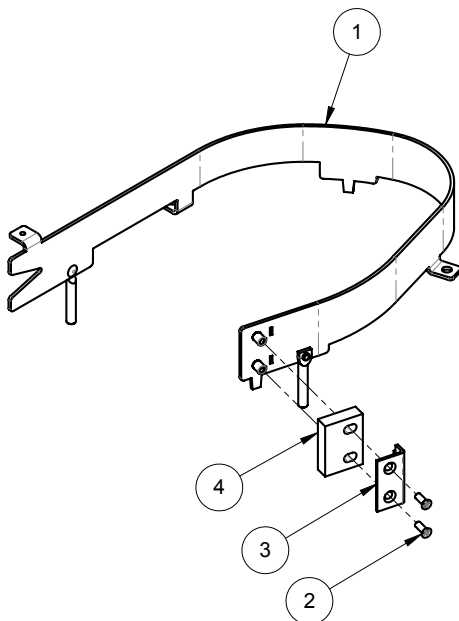
511-5933-06



ID	Part Number	Description	Qty
1	535-2659-06	BALL GUIDE, GODZILLA PRO, -06	1
2	511-5763-00	ASM, BALL GUIDE MNT SPINNER, RIGHT	1
3	237-6151-00	SCREW, 4-40 X 5/16" PFH U/C MS	2

5.41 BALL GUIDE 07 ASSEMBLY

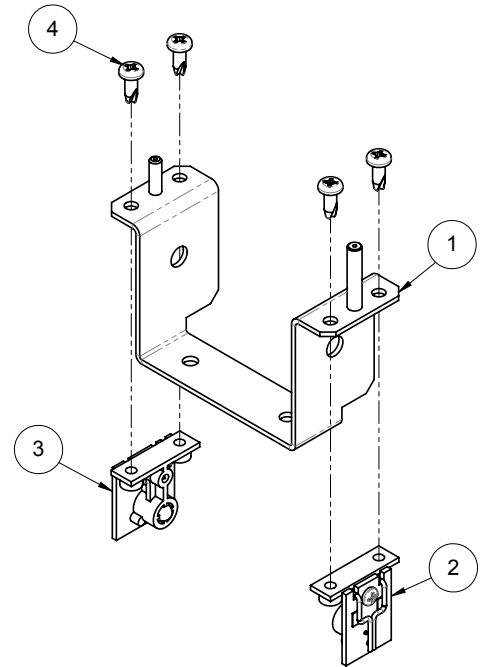
511-5933-07



ID	Part Number	Description	Qty
1	535-2659-07	BALL GUIDE, GODZILLA PRO, -07	1
2	237-6151-00	SCREW, 4-40 X 5/16" PFH U/C MS	2
3	535-9366-01	BUMPER HOLDER	1
4	626-5057-01	RUBBER BUMPER - BLUE	1

5.42 BALL GUIDE 12 ASSEMBLY

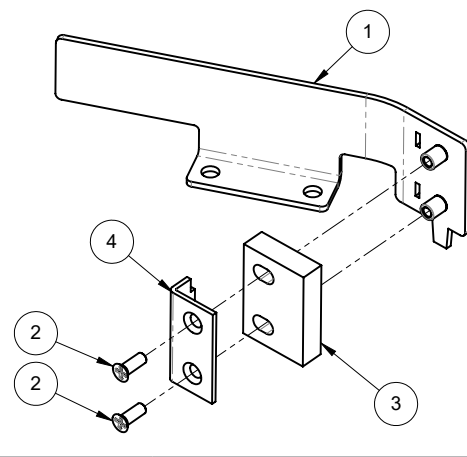
511-5773-12



ID	Part Number	Description	Qty
1	535-2477-12	BALL GUIDE, GODZILLA, -12	1
2	515-0215-00	LONG RANGE OPTO EMITTER ASSEMBLY	1
3	515-0215-01	LONG RANGE OPTO RECEIVER ASSEMBLY	1
4	237-5880-00	SCREW, #6 X 3/8 PPH T-25	4

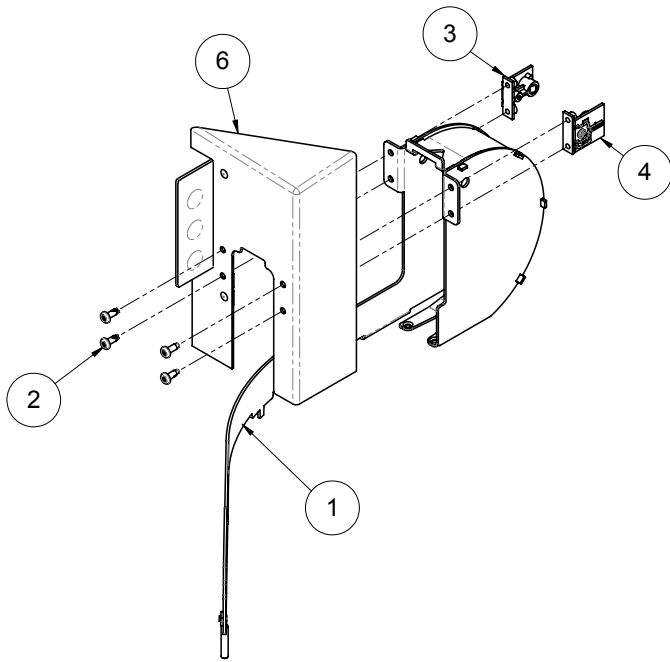
5.43 BALL GUIDE 15 ASSEMBLY

511-5933-15



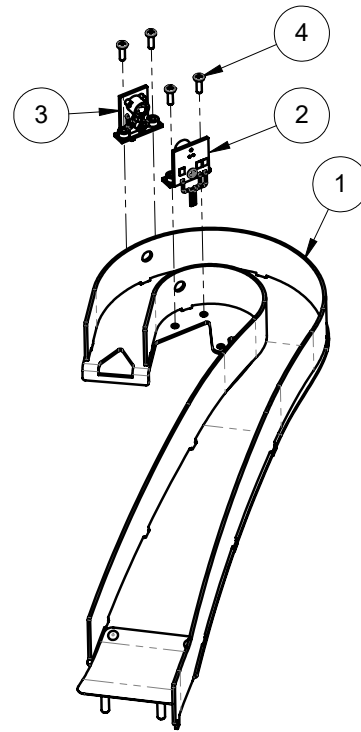
ID	Part Number	Description	Qty
1	535-2659-15	BALL GUIDE, GODZILLA PRO, -15	1
2	237-6151-00	SCREW, 4-40 X 5/16" PFH U/C MS	2
3	626-5057-01	RUBBER BUMPER - BLUE	1
4	535-9366-01	BUMPER HOLDER	1

5.44 LEFT RAMP ASSEMBLY 500-2561-01



ID	Part Number	Description	Qty
1	515-2410-00	RAMP, GODZILLA, LEFT	1
2	237-5880-00	SCREW, #6 X 3/8 PPH T-25	4
3	515-0215-00	LONG RANGE OPTO EMITTER ASSEMBLY	1
4	515-0215-01	LONG RANGE OPTO RECEIVER ASSEMBLY	1
5	511-5963-01	LEFT BUILDING ASM, PRO	1

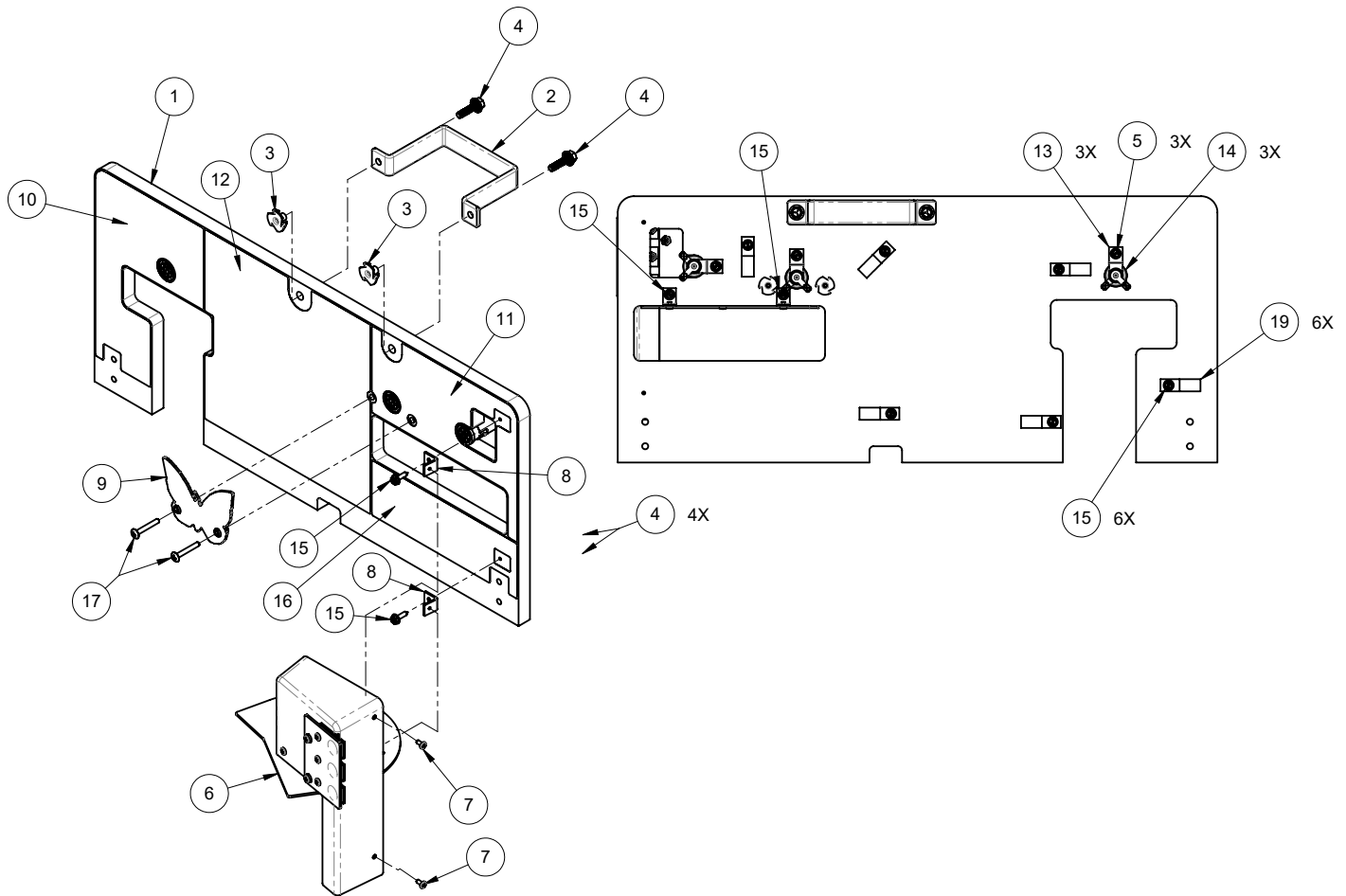
5.45 RIGHT RAMP ASSEMBLY 500-2562-00



ID	Part Number	Description	Qty
1	510-7837-00	RIVETED RAMP ASM, GODZILLA, RIGHT	1
2	515-0215-01	LONG RANGE OPTO RECEIVER ASSEMBLY	1
3	515-0215-00	LONG RANGE OPTO EMITTER ASSEMBLY	1
4	237-5997-00	SCREW, 4-40 X 3/8 PPH MS BLACK	4

5.46 BACKPANEL ASSEMBLY

500-2560-01



ID	Part Number	Description	Qty
1	525-9739-01	BACK PANEL, GODZILLA, PRO	1
2	535-2288-00	HANDLE, BACKPANEL	1
3	240-5204-00	#10-32 T-NUT	2
4	237-6362-00	10-32 x 3/4" HWH MS SERR	2
5	234-5000-00	SCREW, #6 X 3/8" HWH	3
6	511-5961-01	VAC FORM BUILDING ASM, GODZILLA PRO, RIGHT	1
7	237-6331-00	SCREW, 4-40 X 1/4" PPH MS BLACK	2
8	530-1305-06	BRACKET - PLASTIC MTG - 85°	2
9	511-5930-67	PLASTIC ASM, GODZILLA PRO, -67	1

10	820-1406-80	DECAL, GODZILLA PRO, -80	1
11	820-1406-81	DECAL, GODZILLA PRO, -81	1
12	820-1406-82	DECAL, GODZILLA PRO, -82	1
13	077-5101-00	STAND-UP SOCKET, #89 - SHORT	3
14	113-5045-08	MULTI-LED FLASHER, 5 VDC - WHITE	3
15	234-5001-02	SCREW, #6 X 1/2" HWH	10
16	820-1406-83	DECAL, GODZILLA PRO, -83	1
17	237-5010-00	6-32 x 1" PTH MS ZINC	2
18	240-5002-00	6-32 T-NUT	2
19	040-5000-06	1/2" CABLE CLAMP	6

6. SPECIFICATIONS

500-55T5-01

SPECIFICATIONS, MECHANICAL, GAME SETUP

Specification	Imperial	Metric
Weight	210 lbs	96 kg
Max dimensions, leg levers extended (h, w, d)	78 x 27.75 x 57 in	198 x 70.5 x 145 cm
Minimum game dimensions (h, w, d)	76 x 27.75 x 57 in	193 x 70.5 x 145 cm
Minimum room dimensions per game (h, w, d)	80 x 36 x 84 in	203 x 91 cm x 214 cm

• (h, w, d) = height, width, depth.

SPECIFICATIONS, MECHANICAL, BOXED

Specification	Imperial	Metric
Weight, boxed (without pallet)	230 lbs	105 kg
Box dimensions (h, w, d)	56.5 x 31 x 31 in	144 x 79 x 79 cm
Minimum dimensions (h, w, d)	76 x 26 x 57 in	193 x 66 x 145 cm

• (h, w, d) = height, width, depth.

SPECIFICATIONS, ELECTRICAL

Specification	North America - 120VAC	International - 240VAC
Line Voltage, Nominal	120 VAC	240 VAC
Line Voltage Range	90 VAC - 250 VAC	90 VAC - 250 VAC
Line Frequency *	60 Hz	50 Hz, 60 Hz
Line Power, Current - attract mode	70 W, 0.6 A @ 120 VAC	70 W, 0.3 A @ 240 VAC
Line Power, Current - nominal	360 W, 3 A @ 120 VAC	360 W, 1.5 A @ 240 VAC
Line Power, Current - peak, <100 ms	540 W, 4.5 A @ 120 VAC	540 W, 2.25 A @ 240 VAC

* NOTE: Games designed for 60hz operation (e.g. North America games) will not function correctly on 50hz power and vice versa.

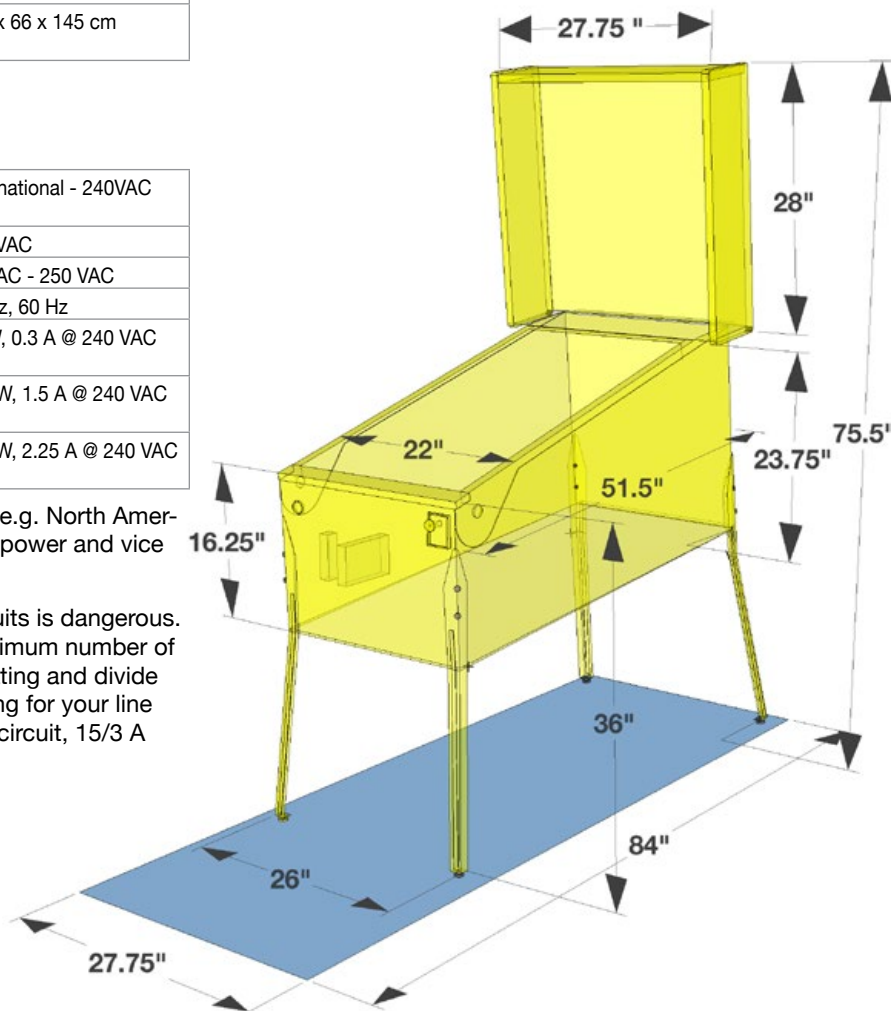
WARNING: Overloading electrical supply circuits is dangerous. Do not overload circuits. To calculate the maximum number of games for a circuit, check circuit amperage rating and divide by the game Nominal Line Power Current rating for your line voltage. For example, a 15A 120V household circuit, 15/3 A (nominal current) = 5 games maximum.

SPECIFICATIONS, ENVIRONMENT

	Minimum	Maximum
Temperature, Operating	32 °F / 0 °C	104°F / 40 °C
Temperature, Storage	32 °F / 0 °C	104°F / 40 °C
Relative Humidity, Operating	5%	95% non-condensing
Relative Humidity, Storage	5%	95% non-condensing

- (a) "The appliance has to be placed in a horizontal position."
- (b) If the supply cord is damaged, it must be replaced by the manufacturer, its service agent or similarly qualified person in order to avoid hazard.

6.1 GAME DIMENSIONS



6.2 WARRANTY

500-55T5-01

Stern Pinball machines are assembled in Elk Grove Village, Illinois, USA; each pinball machine has unique characteristics that make it a one-of-a-kind American-made product. Each machine will have variations in appearance resulting from differences in the machine's particular wood parts, individual silk screened art and mechanical assemblies. Stern Pinball has inspected each game element to insure it meets stringent quality and playability standards.

STERN PINBALL INC LIMITED WARRANTY

Stern Pinball Inc ("SELLER") warrants only to the initial purchaser of its products that the items listed below are free from defects in material and workmanship under normal use and service for the warranty period specified:

- Printed circuit boards (game logic): 2 months
- Dot Matrix / LCD Display: 9 months

No other parts of seller's product are warranted.

Warranty periods are effective from the initial date of shipment from seller to its authorized distributors.

Seller's sole liability shall be, at its option, to repair or replace products which are returned to seller during the warranty periods specified, provided:

1. Seller is notified promptly upon discovery by purchaser that stated products are defective.
2. Such products are properly packaged and then returned freight prepaid, to seller's plant.

This warranty does not apply to any parts damaged during shipment and/or due to improper handling, or due to improper installation or usage, or alteration. In no event shall the seller be liable for any anticipated profits, loss of profits, loss of use, accidental or consequential damages, or any other losses incurred by the customer in connection with the purchase of a Stern Pinball Inc Product.

WARRANTY DISCLAIMER

Except as specifically provided in a written contract between seller and purchaser, there are no other warranties, express or implied, including any implied warranties of merchantability or fitness for a particular purpose.

This Game Service Manual and all other documents relating to this product, playfield components, features, rules, programming, and operation are subject to change without notice (Service Bulletins, if applicable, available through official Stern Pinball website).

ATTENTION! IMPORTANT WARRANTY INFORMATION

The electronics system, node network architecture, mechanical devices and associated software control systems in this pinball machine are designed to work with genuine Stern Pinball accessories and devices.

Installation of non-authorized accessories, lamps, LED's, motors or other devices or modification of electro-mechanical devices may damage the system and will void your warranty.

6.3 WARNINGS, COMPLIANCE, AND LEGAL NOTICES

PHOTOSENSITIVE SEIZURES HEALTH WARNING



A very small percentage of people may experience a seizure when exposed to certain visual images, including flashing lights or patterns. Even people with no history of seizures of epilepsy may have an undiagnosed condition that can cause "photosensitive epileptic seizures" due to certain visual images, flashing lights or patterns. Symptoms can include lightheadedness, altered vision, eye or face twitching, jerking or shaking of arms or legs, disorientation, confusion, momentary loss of awareness, and loss of consciousness or convulsions that can lead to injury from falling down or striking nearby objects.

IMMEDIATELY STOP PLAYING AND CONSULT A DOCTOR IF YOU EXPERIENCE ANY OF THESE SYMPTOMS.

PARTS SUBSTITUTIONS



For safety and reliability, substitute parts and equipment modifications are not recommended and may void any and all warranties. Use of Non-Stern Pinball Inc Parts or Modifications of game circuitry may adversely affect game play or game safety. Transport pinball machines with hinged backbox in the down position only! Always take great care when servicing any game. Always read the service manual before replacing or servicing components. Substitutions of parts or equipment modifications may void FCC type acceptance.

Always disconnect the line voltage before servicing. Some parts may remain energized when unplugged. Take great caution when servicing any electrical components.

PERCHLORATE MATERIAL - Special handling may apply. See www.dtsc.ca.gov/hazardouswaste/perchlorate

FCC CLASS A SUBPART J COMPLIANCE



This equipment has been tested and found to comply with the limits for a Class A digital device, pursuant to part 15 of the FCC Rules. These limits are designed to provide reasonable protection against harmful interference when the equipment is operated in a commercial environment. This equipment generates, uses, and can radiate radio frequency energy and, if not installed and used in accordance with the instruction manual, may cause harmful interference to radio communications. Operation of this equipment in a residential area is likely to cause harmful interference in which case the user will be required to correct the interference at his own expense.

RF INTERFERENCE NOTICE

The cable harness placements, ground strap routing, and other shielding have been designed to keep RF radiation and conduction within levels accepted by FCC rules. To maintain these levels, factory harness position, shielding, and ground straps must be installed in their factory locations should they become disconnected during maintenance.

COPYRIGHT AND INTELLECTUAL PROPERTY NOTICE

This document and the data disclosed herein or herewith is not to be reproduced (Except where noted), used, or otherwise disclosed in whole or in part to anyone without written consent of Stern Pinball Inc.

Products in this manual, the company name and devices and the design of the manual itself are protected by federal patents (and patents pending), design registrations, trademarks, and copyrights. Action will be taken in the event of infringement or imitation. The right is reserved to change specifications without prior notice.

6.4 STERN PINBALL END USER LICENSE AGREEMENT

This limited software license Agreement (“Agreement”) applies to your use of Stern Pinball Software pre-installed on a Stern Pinball Machine and any Authorized Updates made available to you.

BY USING YOUR STERN PINBALL MACHINE, YOU AGREE TO THE TERMS OF THIS AGREEMENT. If you do not agree to the terms of this Agreement, do not use your Stern Pinball Machine or any Authorized Updates. Please read this entire Agreement, which governs your use of the Stern Pinball Machine, Stern Pinball Software and all Authorized Updates.

ADULT CONSENT

TO ENTER INTO THIS AGREEMENT, YOU MUST BE AN ADULT OF THE LEGAL AGE OF MAJORITY IN YOUR COUNTRY OF RESIDENCE. YOU ARE LEGALLY AND FINANCIALLY RESPONSIBLE FOR ALL ACTIONS USING YOUR STERN PINBALL MACHINE AND SOFTWARE AND ACCESSING OR USING ANY ONLINE GAMING PLATFORM, INCLUDING THE ACTIONS OF ANYONE YOU ALLOW TO USE AND ACCESS TO YOUR MACHINE AND ANY ASSOCIATED ACCOUNT. YOU AFFIRM THAT YOU HAVE REACHED THE LEGAL AGE OF MAJORITY, UNDERSTAND AND ACCEPT THIS AGREEMENT. IF YOU ARE UNDER THE LEGAL AGE OF MAJORITY, YOUR PARENT OR LEGAL GUARDIAN MUST CONSENT TO THIS AGREEMENT.

DEFINITIONS

- a. “Stern Pinball Machine” means a Stern Pinball arcade game machine.
- b. “Stern Pinball Software” means software (including but not limited to firmware) pre-installed in the Stern Pinball Machine, including all Authorized Content and any Authorized Updates that Stern Pinball may make available to You from time to time.
- c. “Authorized Content” means all Stern Pinball and third-party owned software and content incorporated into or used with the Stern Pinball Software or otherwise embedded in or utilized by a Stern Pinball Machine, including but not limited to graphics, images, music, vocals and voices.
- d. “Authorized Update” means an update to the Stern Pinball Software distributed by Stern Pinball or otherwise made available by Stern Pinball, including for download on its website.
- e. “Unauthorized Content” means all content, including but not limited to graphics, images, music, vocals and voices, that does not comprise Authorized Content or an Authorized Update.
- f. “Unauthorized Software” means any software (including but not limited to firmware) not pre-installed by Stern Pinball on a Stern Pinball Machine or that does not comprise Authorized Content or Authorized Update.
- g. “You” means the purchaser or current owner of a Stern Pinball Machine.

LICENSE

Stern Pinball hereby grants You a nonexclusive, non-transferable, limited, and revocable right and license to use one copy of the Stern Pinball Software and Authorized Content and any Authorized Update solely for your personal use, or that of your patrons and customers if you are a commercial entity, for playing a single Stern Pinball Machine. The Stern Pinball Software, Authorized Content and Authorized Updates are licensed, not sold, to You, and no ownership rights are transferred by this Agreement. The Stern Pinball Software Authorized Content and Authorized Updates are protected by U.S. and international copyright. All rights not explicitly granted to you in this Agreement are reserved by Stern Pinball.

- a. As a condition to this Stern Pinball Software license, You agree that:
 - i. You will not copy, reproduce, alter, replace, distribute, reverse engineer, decompile, disassemble, display, perform, create derivative works based on, or otherwise modify the Stern Pinball hardware or Stern Pinball Software or any Authorized Update, in whole or in part; and will not commercially exploit any of the foregoing.
 - ii. **You will not use or install any Unauthorized Content or Unauthorized Software. Use of Unauthorized Content or Unauthorized Software may result in your Stern Pinball Machine ceasing to work permanently and/or losing access to Stern Pinball’s online game network, either immediately or after a later installed Authorized Update.**

- iii. **You will not create, develop, distribute or assist anyone else in creating, developing or distributing any Unauthorized Content or Unauthorized Software intended for use with a Stern Pinball Machine, whether to add to or modify the gameplay, any audio content (whether music, sound or voice), or any video content of any Stern Pinball Machine, or to gain advantage in any online or other game modes, or otherwise.**
- iv. You will not share any Stern Pinball Software, Authorized Content or Authorized Update with any other person or company and will not permit anyone else to access or copy any Stern Pinball Software or Authorized Content or Authorized Update installed on your Machine for any purpose.
- v. In view of the rights held by third-party owners of Authorized Content (e.g., music and video clips), Stern does not have the legal authority to give permission to stream the gameplay of Stern Pinball Machines.
- vi. You will not attempt to defeat or circumvent any anti-piracy, security, and/or technical measures to control access to the Stern Pinball Software, features, functions or content, prevent unauthorized use, or otherwise prevent anyone from exceeding the limited license rights granted under this Agreement, "Security Measures". Attempting to defeat or circumvent any Security Measure may result in your Stern Pinball Machine ceasing to work permanently either immediately or after a later installed Authorized Update.
- vii. **Stern Pinball may update the Stern Pinball Software from time to time without further notice to You, for example, to update any anti-piracy, security, and technical measure.**

PRIVACY POLICY

Your use of the Stern Pinball Machine, Stern Pinball Software and any Authorized Updates is subject to Stern Pinball's Privacy Policy which can be found at <https://sternpinball.com/privacy-policy>.

WARRANTY

EXCEPT AS PROVIDED HEREIN, THE STERN PINBALL SOFTWARE, AUTHORIZED CONTENT AND AUTHORIZED UPDATES ARE PROVIDED "AS IS" AND, TO THE MAXIMUM EXTENT ALLOWABLE UNDER LAW, STERN PINBALL DISCLAIMS ALL WARRANTIES OF ANY KIND, WHETHER EXPRESS OR IMPLIED, INCLUDING BUT NOT LIMITED TO ANY WARRANTIES OF MERCHANTABILITY, FITNESS FOR A PARTICULAR PURPOSE, AND NONINFRINGEMENT. WITHOUT LIMITING THE FOREGOING, STERN PINBALL DOES NOT WARRANT THAT OPERATION OF THE STERN PINBALL MACHINE OR ANY ONLINE OR CONNECTED GAME NETWORK WILL BE UNINTERRUPTED OR ERROR-FREE.

EXCLUSION OF CERTAIN DAMAGES

STERN PINBALL IS NOT RESPONSIBLE FOR ANY DIRECT, INDIRECT, INCIDENTAL, SPECIAL, OR CONSEQUENTIAL DAMAGES; ANY LOSS OF DATA, PRIVACY, CONFIDENTIALITY, OR PROFITS; OR ANY INABILITY TO USE THE STERN PINBALL MACHINE, STERN PINBALL SOFTWARE OR ANY AUTHORIZED UPDATE. THESE EXCLUSIONS APPLY EVEN IF STERN PINBALL HAS BEEN ADVISED OF THE POSSIBILITY OF THESE DAMAGES, AND EVEN IF ANY REMEDY FAILS OF ITS ESSENTIAL PURPOSE. Some countries do not allow the exclusion or limitation of incidental or consequential damages, so this limitation or exclusion may not apply to You.

These terms apply to the maximum extent permitted by law and unless prohibited by law. These terms do not change your rights under the laws of your country if those laws do not permit that change.

TERRITORY AND CHOICE OF LAW

This License is valid only in the country in which you purchased your Stern Pinball Machine. This License will be subject to and construed in accordance with the laws of the State of Illinois, U.S.A., regardless of conflict of laws principles. You agree to submit to the exclusive jurisdiction of the state and federal courts in Cook County, Illinois, U.S.A. for the resolution of any dispute regarding this Agreement or the subject matter of this Agreement and to waive any jurisdictional, venue, or inconvenient forum objections to such courts.

This Agreement may be updated by Stern Pinball from time to time with the current version posted at www.sternpinball.com/EULA. Your continued use of the Stern Pinball Software and Authorized Update after an updated Agreement has been posted constitutes your acceptance of all of its terms.





1-800-KICKERS
PARTS.SERVICE@STERNPINBALL.COM
WWW.STERNPINBALL.COM
FACEBOOK.COM/STERNPINBALL

GODZILLA PRO #500-55T5-01
MANUAL #780-50T5-00

