

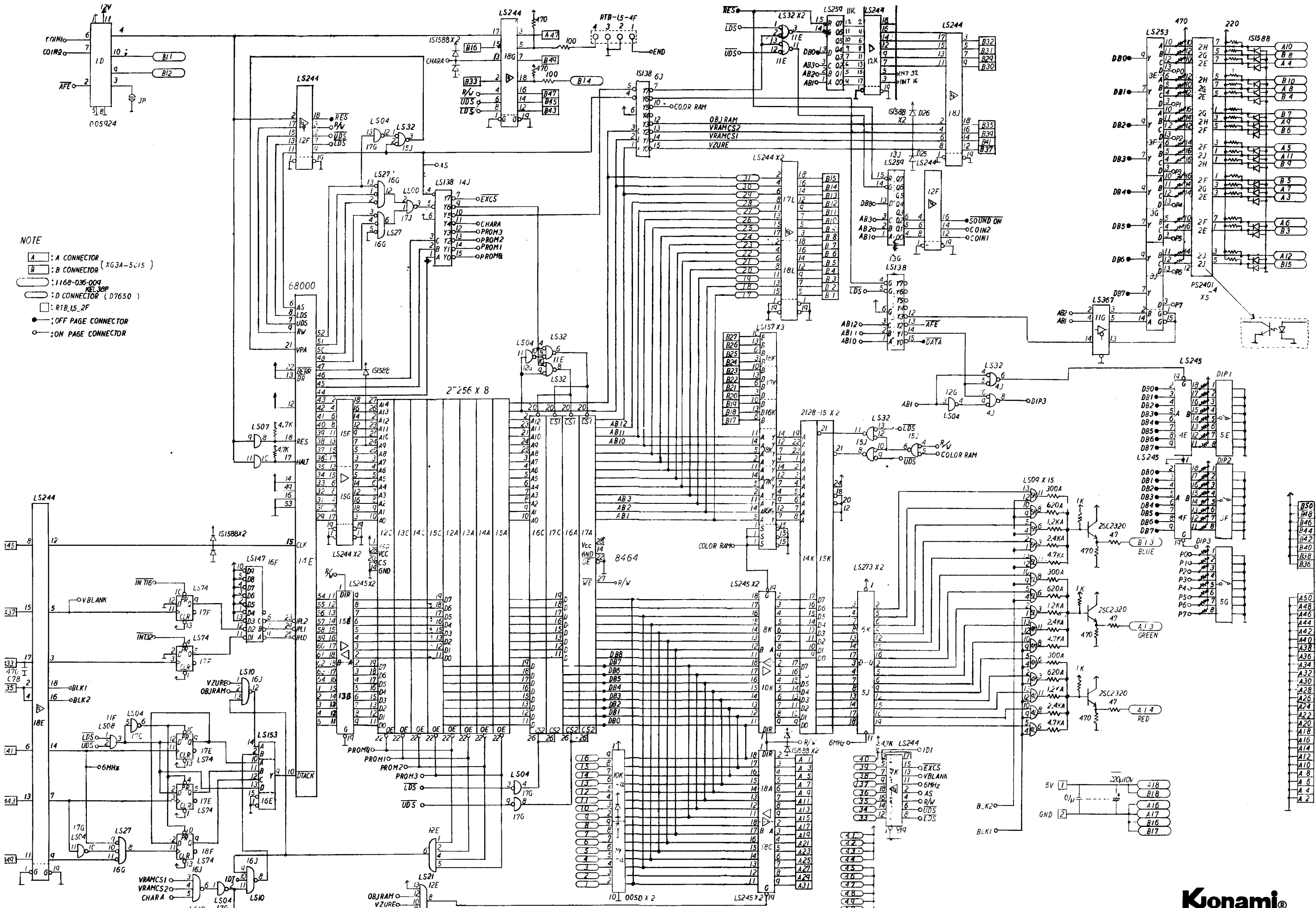
This document has been downloaded from:



The largest resource for amusement machines  
documentation on the world wide web!

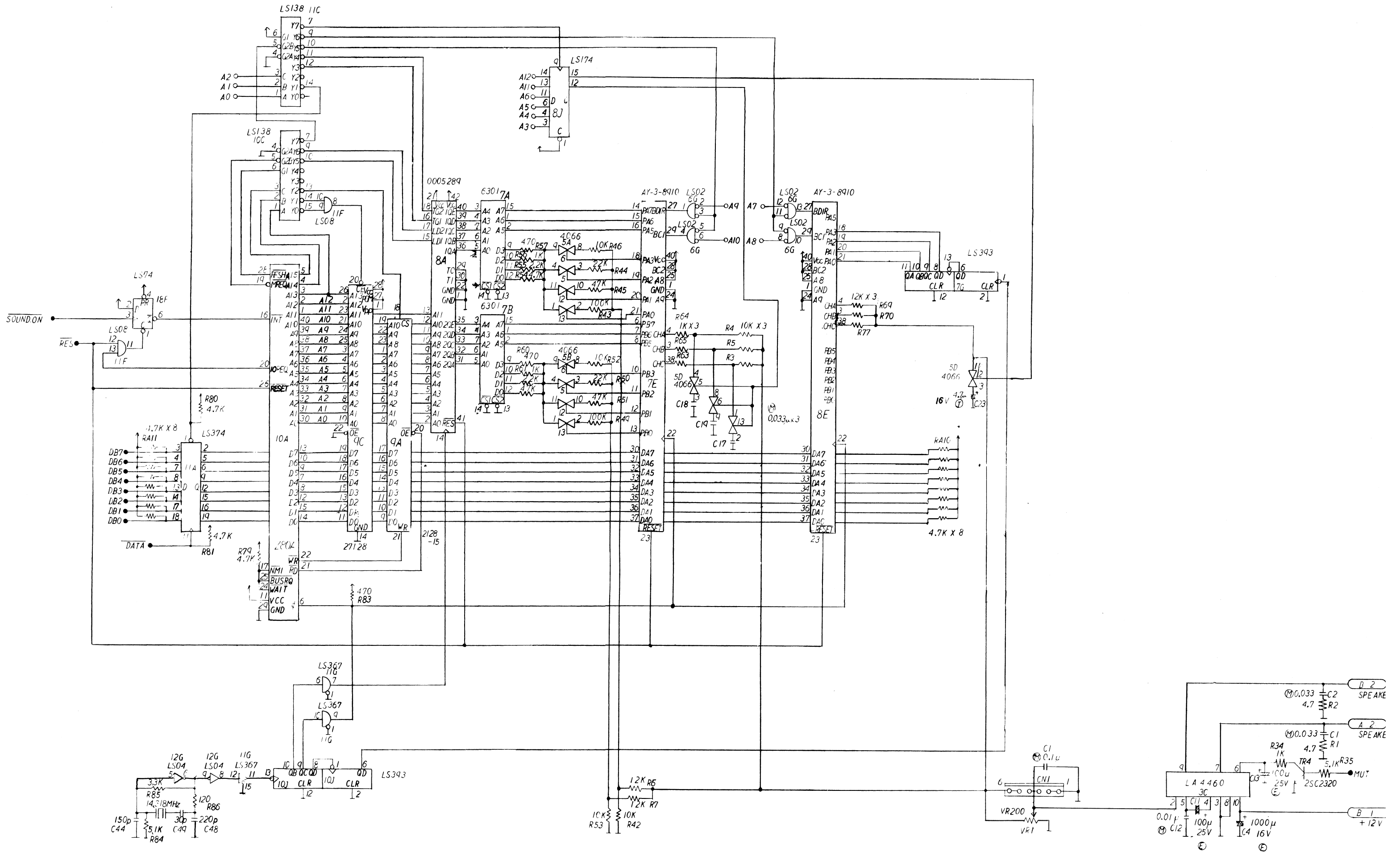


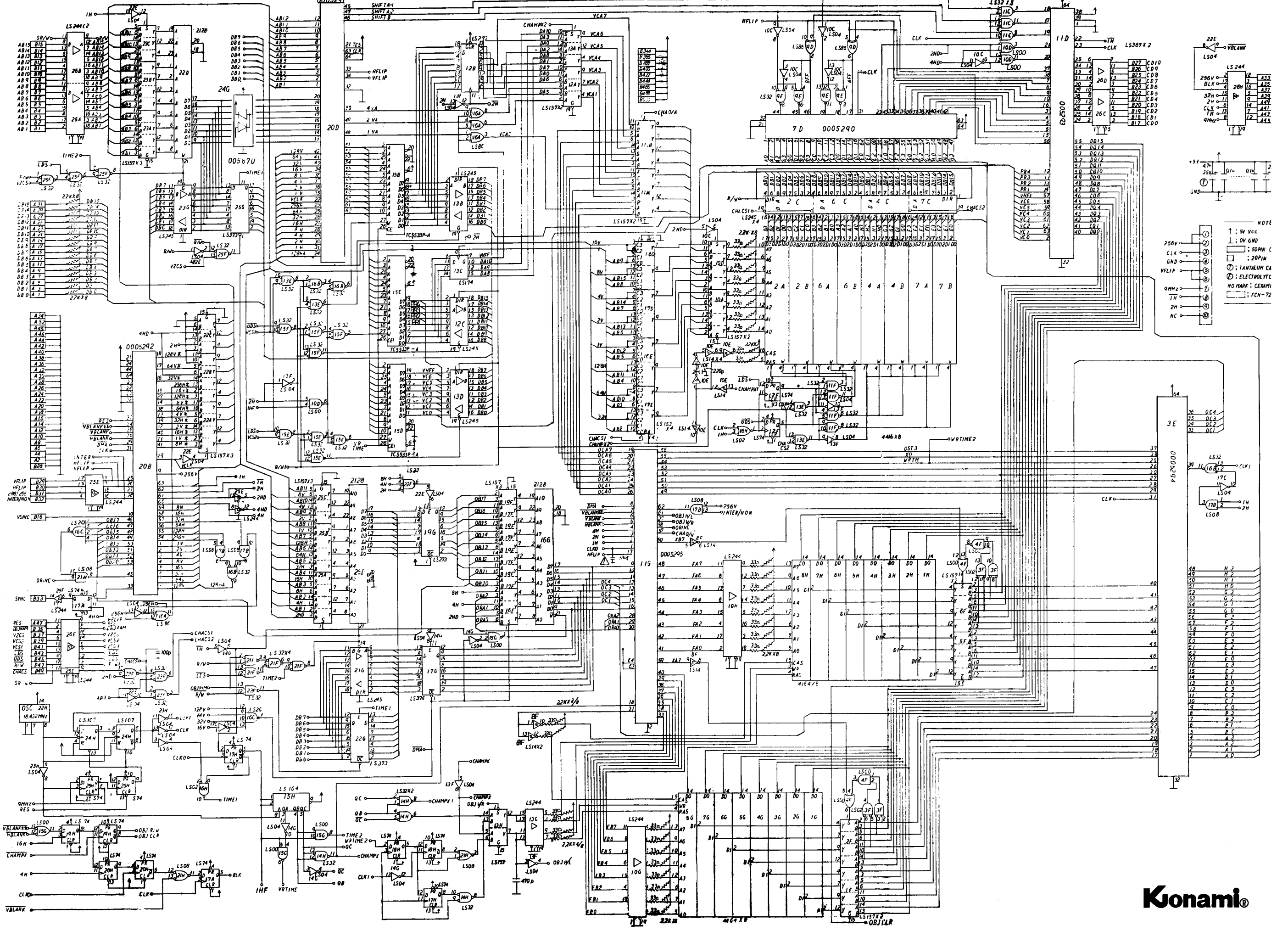
**FLIPPERSPILL.COM**



NOTE

- A : A CONNECTOR (XG3A-5C15)
- B : B CONNECTOR (XG3A-5C15)
- 1168-036-009 (KEL36P)
- D CONNECTOR (D7650)
- RTB15\_2F
- OFF PAGE CONNECTOR
- ON PAGE CONNECTOR





- NOTE
- ↑: 5V VCC
  - ↓: 0V GND
  - : 50PIN C
  - : 20PIN
  - ①: TANTALUM CA
  - ②: ELECTROLUM CA
  - NO MARK: CEMMI
  - ③: FCN-72

