

This document has been downloaded from:

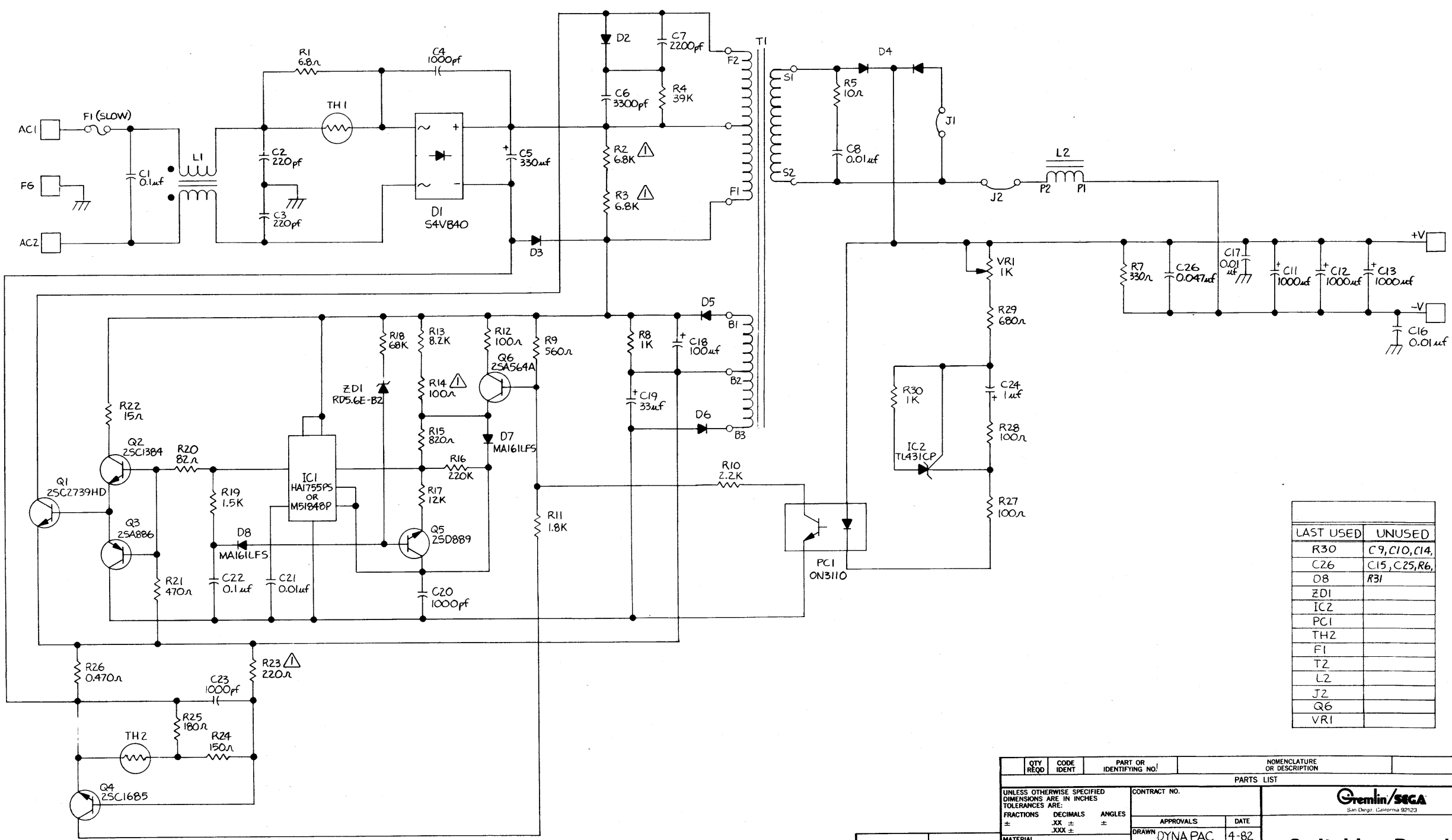


The largest resource for amusement machines
documentation on the world wide web!



FLIPPERSPILL.COM

REVISIONS				
ZONE	LTR	DESCRIPTION	DATE	APPROVED
-	-	SEE SHT 1		



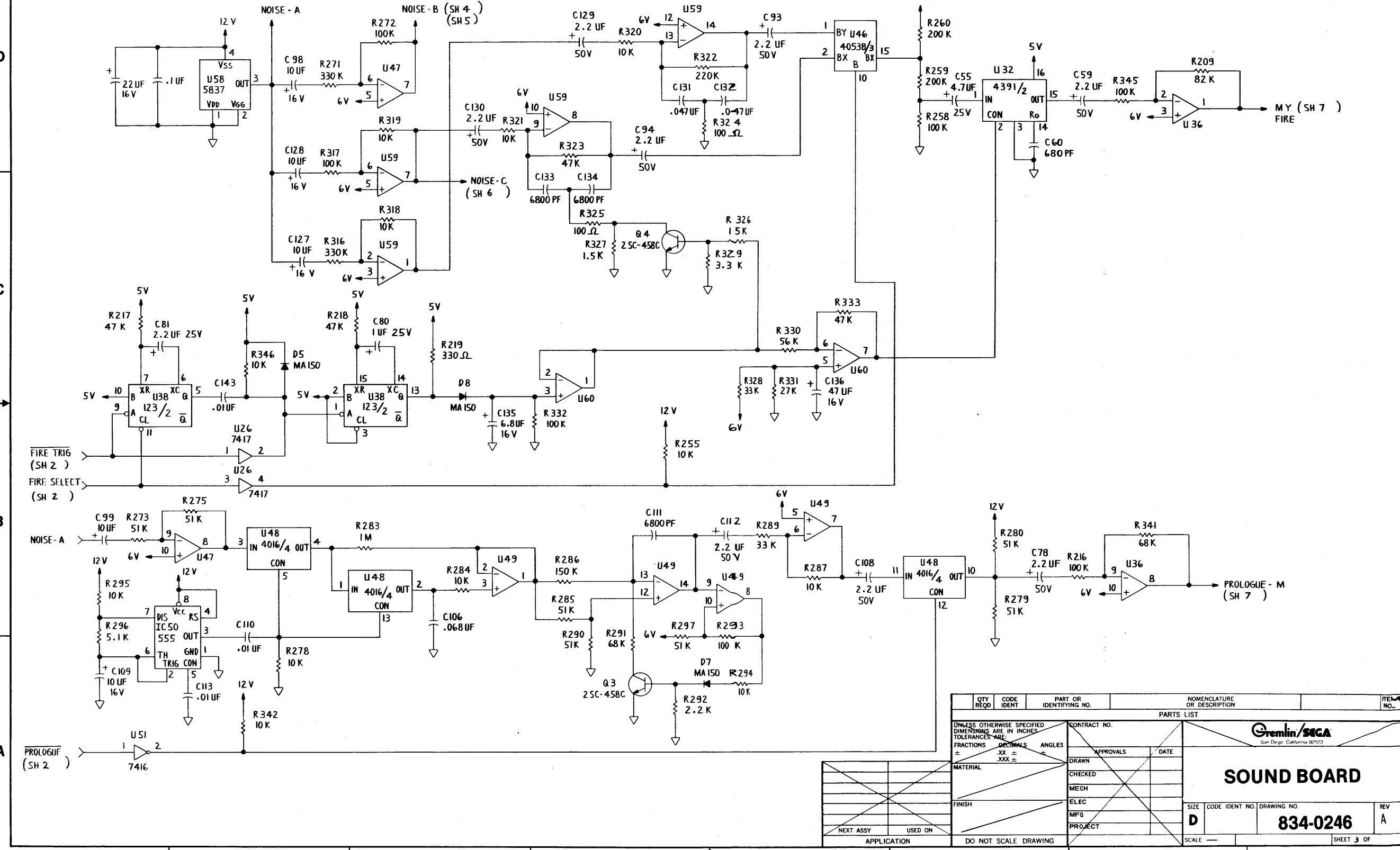
LAST USED	UNUSED
R30	C9, C10, C14,
C26	C15, C25, R6,
D8	R31
ZD1	
IC2	
PC1	
TH2	
F1	
T2	
L2	
J2	
Q6	
VRI	

NOTES:
 ▲ VALUE MAY VARY.

QTY	CODE	PART OR IDENTIFYING NO.	NOMENCLATURE OR DESCRIPTION	ITEM NO.
PARTS LIST				
UNLESS OTHERWISE SPECIFIED DIMENSIONS ARE IN INCHES TOLERANCES ARE:		CONTRACT NO.		
FRACTIONS	DECIMALS	ANGLES	APPROVALS	
±	±	±	DRAWN	DATE
			DYNA PAC	4-82
MATERIAL		CHECKED		
		MECH		
FINISH		ELEC		
		MFG		
NEXT ASSY		PROJECT		
USED ON		SCALE NONE		
APPLICATION		DO NOT SCALE DRAWING		

Gremlin/SEGA San Diego, California 92123	
Switching Regulator	
SIZE	CODE IDENT NO. DRAWING NO.
D	601-0692
REV	A
SHEET 5 OF 5	

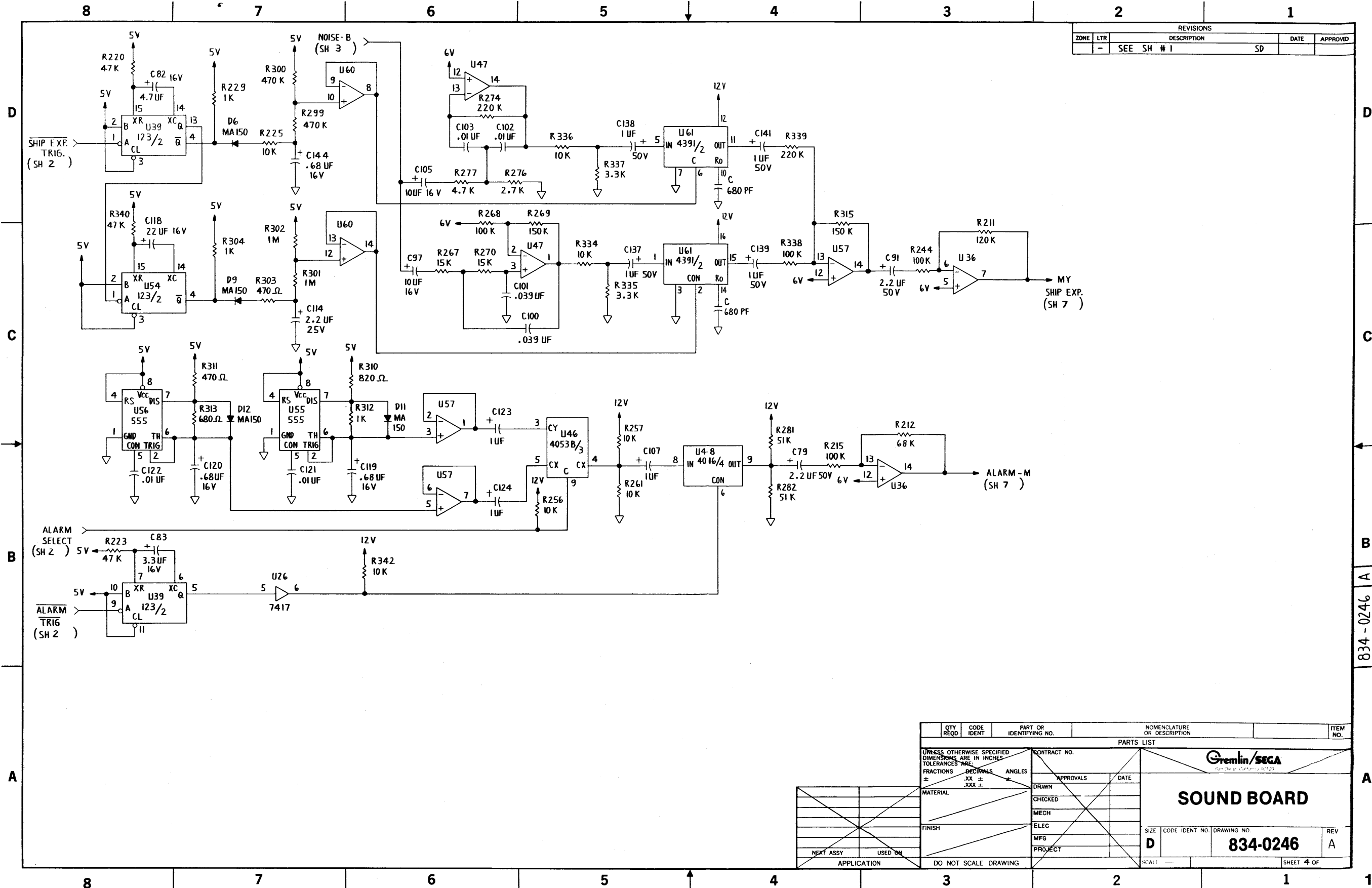
REVISIONS				
ZONE	LTR	DESCRIPTION	DATE	APPROVED
-	SEE SH # 1		SD	



834-0246

QTY REQD	CODE IDENT	PART OR IDENTIFYING NO.	NOMENCLATURE OR DESCRIPTION	ITEM NO.
PARTS LIST				
UNLESS OTHERWISE SPECIFIED DIMENSIONS ARE IN INCHES TOLERANCES ARE: FRACTIONS DECIMALS ANGLES ± .XX ± .XXX ± °				
MATERIAL		CONTRACT NO.		
FINISH		DRAWN		
NEXT ASSY		CHECKED		
USED ON		MECH		
APPLICATION		ELEC		
DO NOT SCALE DRAWING		MFG		
		PROJECT		
Gremlin/SEGA San Diego, California 92123				REV
SOUND BOARD				A
SIZE	CODE IDENT NO.	DRAWING NO.		
D		834-0246		
SCALE	SHEET 3 OF			

REVISIONS				
ZONE	LTR	DESCRIPTION	DATE	APPROVED
-	SEE SH # 1	SD		



834-0246 A

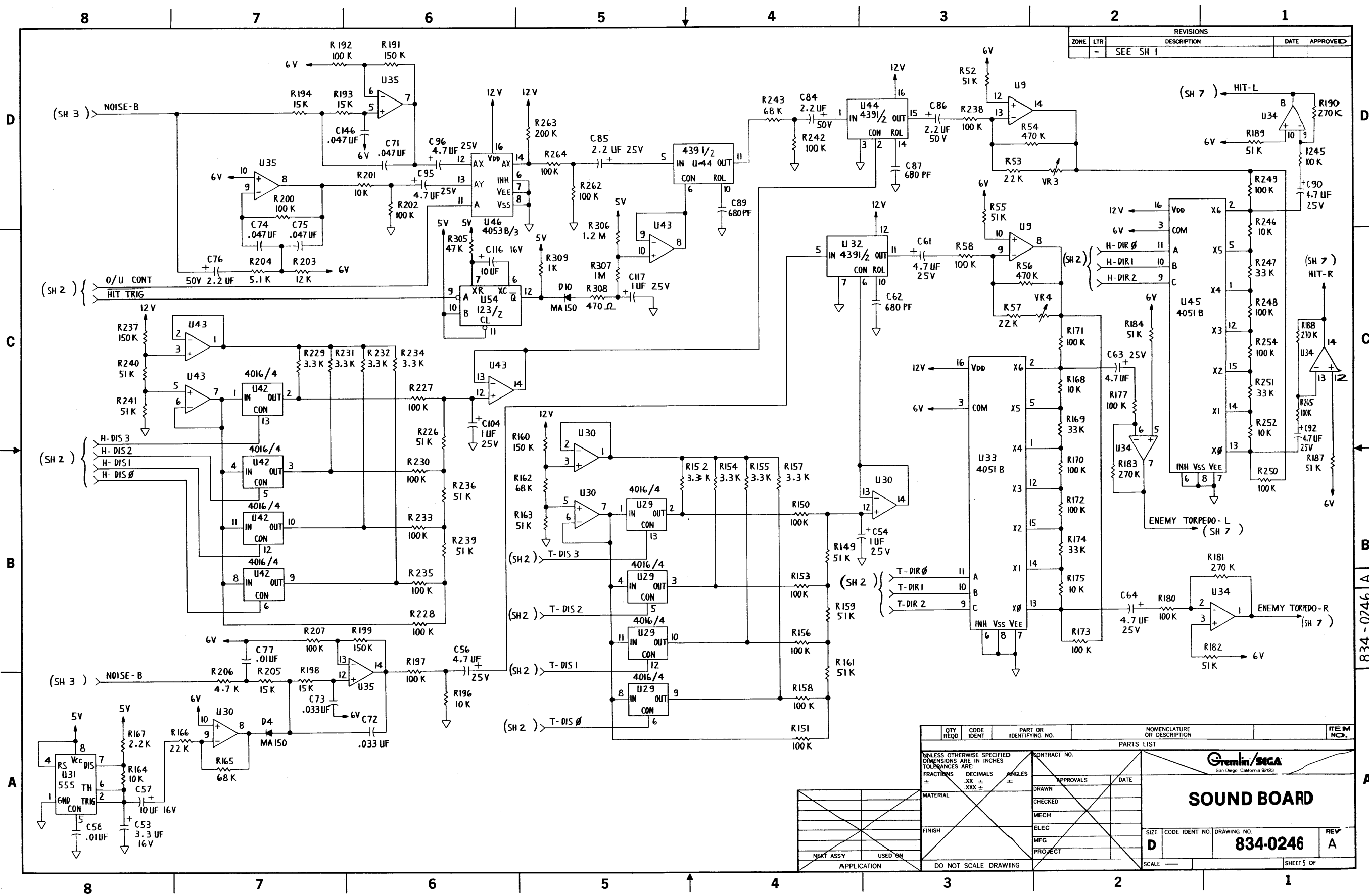
QTY REQD	CODE IDENT	PART OR IDENTIFYING NO.	NOMENCLATURE OR DESCRIPTION	ITEM NO.
PARTS LIST				
UNLESS OTHERWISE SPECIFIED DIMENSIONS ARE IN INCHES TOLERANCES ARE:		CONTRACT NO.		
FRACTIONS	DECIMALS	ANGLES	APPROVALS	DATE
±	.XX ±	±		
	.XXX ±			
MATERIAL			CHECKED	
			MECH	
			ELEC	
			MFG	
			PROJECT	
FINISH				
DO NOT SCALE DRAWING				

SOUND BOARD

SIZE CODE IDENT NO. DRAWING NO. REV

D 834-0246 A

SCALE SHEET 4 OF 155

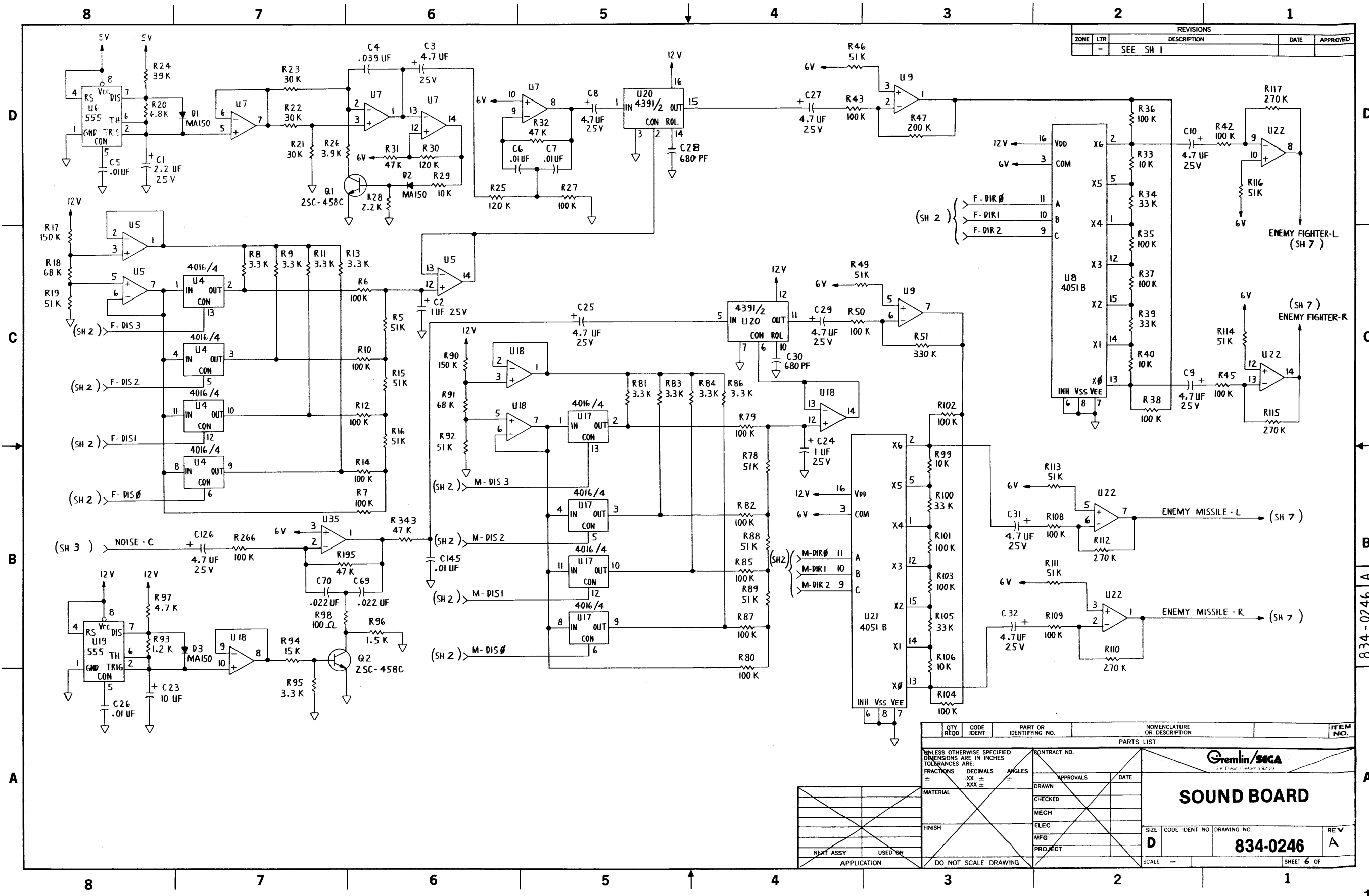


REVISIONS				
ZONE	LTR	DESCRIPTION	DATE	APPROVED
-	-	SEE SH 1		

QTY REQD	CODE IDENT	PART OR IDENTIFYING NO.	NOMENCLATURE OR DESCRIPTION	ITEM NO.
PARTS LIST				
UNLESS OTHERWISE SPECIFIED DIMENSIONS ARE IN INCHES TOLERANCES ARE:				
FRACTIONS	DECIMALS	ANGLES		
±	±	±		
CONTRACT NO.			APPROVALS	
MATERIAL			DATE	
FINISH			DRAWN	
NEXT ASSY			CHECKED	
USED ON			MECH	
APPLICATION			ELEC	
DO NOT SCALE DRAWING			MFG	
			PROJECT	

Gremlin/SIGA San Diego California 92123	
SOUND BOARD	
SIZE	CODE IDENT NO. DRAWING NO.
D	834-0246
SCALE	REV A
SHEET 5 OF	

834-0246 A



REVISIONS				
ZONE	LTR	DESCRIPTION	DATE	APPROVED
-	-	SEE SH 1		

(SH 2)
 F-DIR 0
 F-DIR 1
 F-DIR 2

ENEMY FIGHTER-L
 (SH 7)

ENEMY FIGHTER-R
 (SH 7)

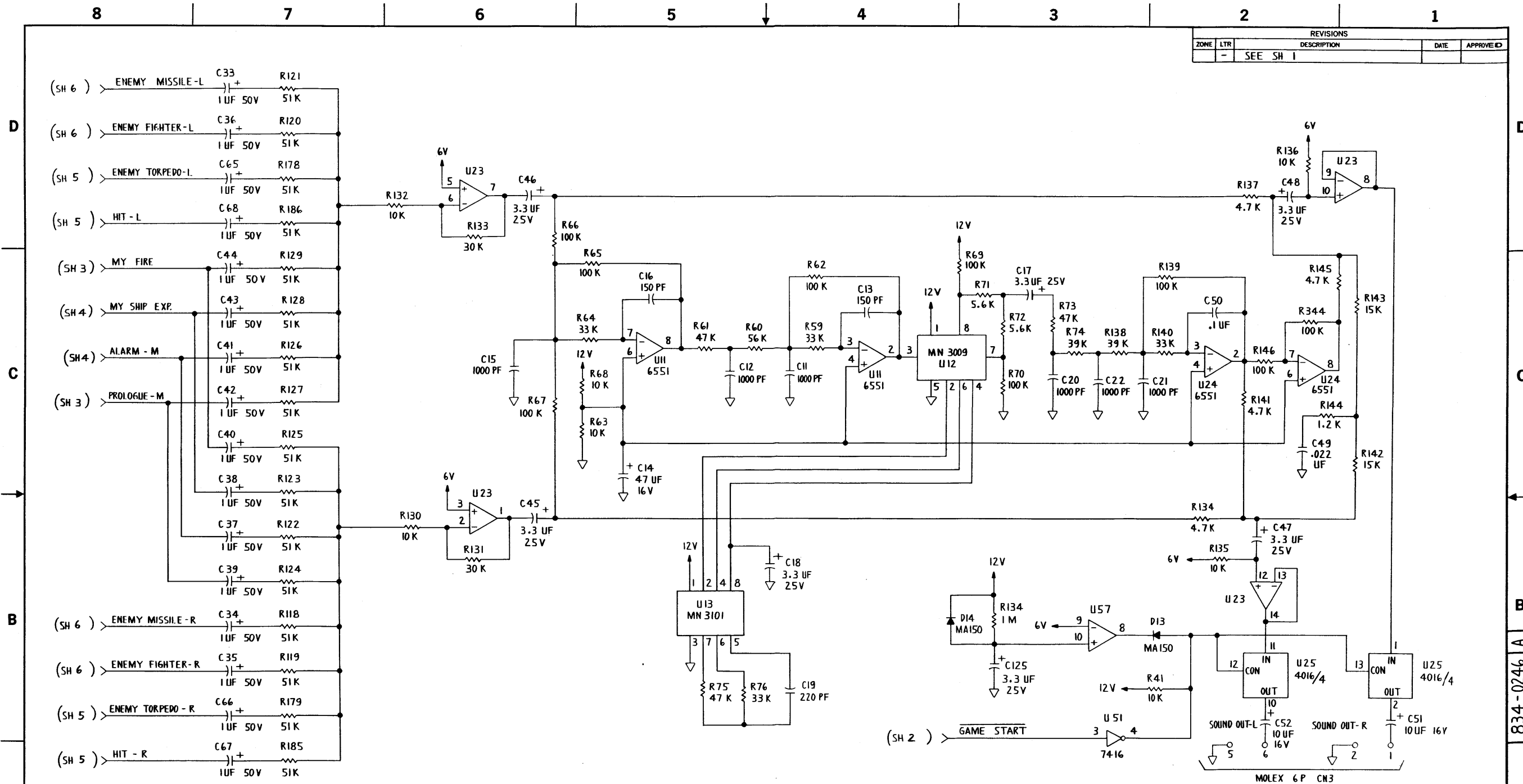
ENEMY MISSILE-L
 (SH 7)

ENEMY MISSILE-R
 (SH 7)

834-0246

QTY REQD	CODE IDENT	PART OR IDENTIFYING NO.	NOMENCLATURE OR DESCRIPTION	ITEM NO.
PARTS LIST				
UNLESS OTHERWISE SPECIFIED DIMENSIONS ARE IN INCHES TOLERANCES ARE:				
FRACTIONS	DECIMALS	ANGLES		
±	.xx ±	±		
	.xxx ±			
MATERIAL		CONTRACT NO.		APPROVALS
FINISH		DATE		DATE
NEXT ASSY		USED ON		DRAWN
APPLICATION		DO NOT SCALE DRAWING		CHECKED
				MECH
				ELEC
				MFG
				PROJECT
Gremlin/SECA				
SOUND BOARD				
SIZE	CODE IDENT NO.	DRAWING NO.	REV	
D		834-0246	A	
SCALE				SHEET 6 OF

REVISIONS				
ZONE	LTR	DESCRIPTION	DATE	APPROVED
-	-	SEE SH 1		



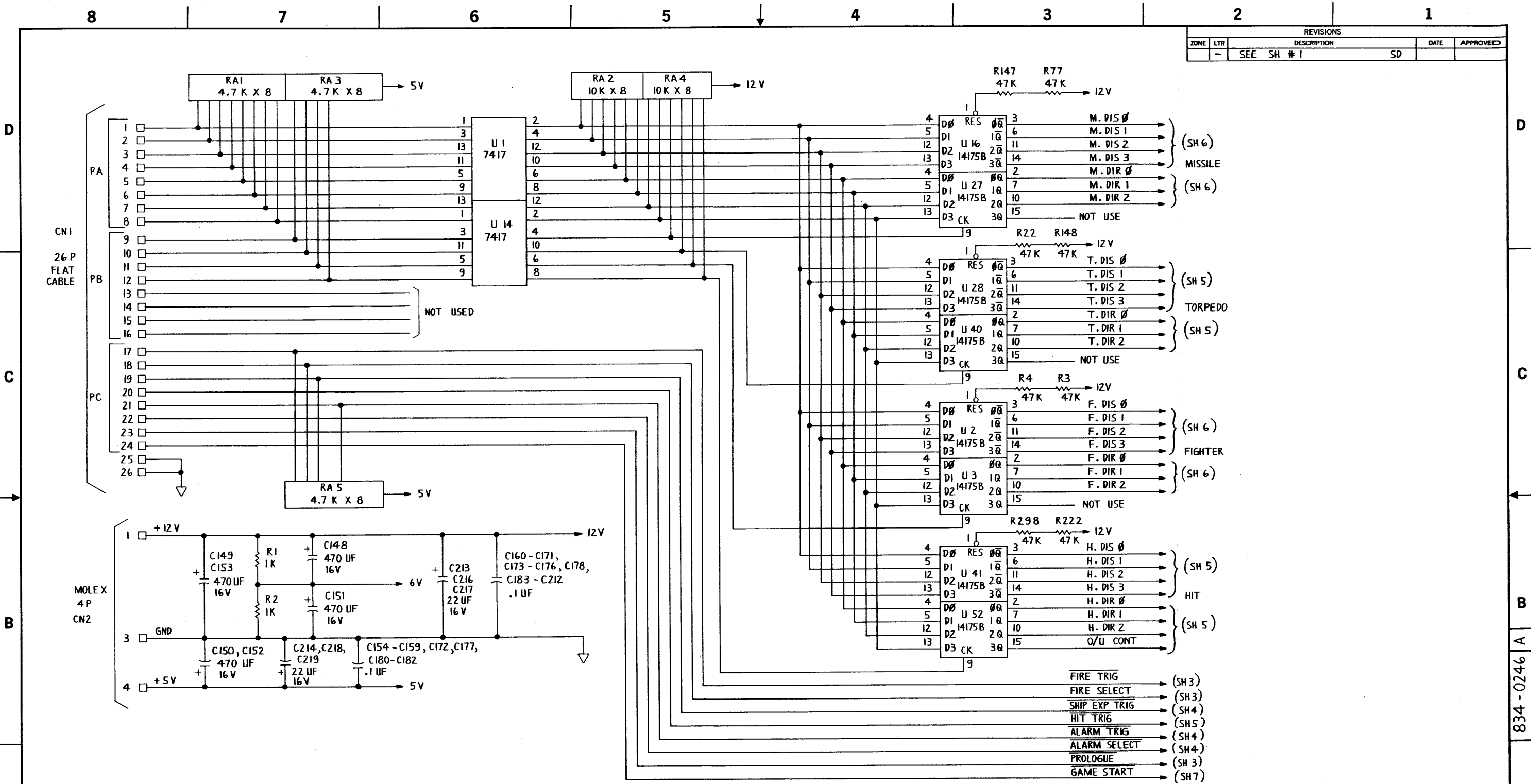
QTY REQD	CODE IDENT	PART OR IDENTIFYING NO.	NOMENCLATURE OR DESCRIPTION	ITEM NO.
PARTS LIST				
UNLESS OTHERWISE SPECIFIED DIMENSIONS ARE IN INCHES TOLERANCES ARE:		CONTRACT NO.		
FRACTIONS	DECIMALS	ANGLES	APPROVALS	
±	.XX ±	±	DATE	
	.XXX ±			
MATERIAL			DRAWN	
			CHECKED	
			MECH	
FINISH			ELEC	
			MFG	
			PROJECT	
NEXT ASSY	USED ON		SIZE CODE IDENT NO. DRAWING NO.	
APPLICATION	DO NOT SCALE DRAWING		D 834-0246 A	
			REV A	
			SHEET 7 OF	

Gremlin/SEGA
San Diego, California 92108

SOUND BOARD

834-0246 A

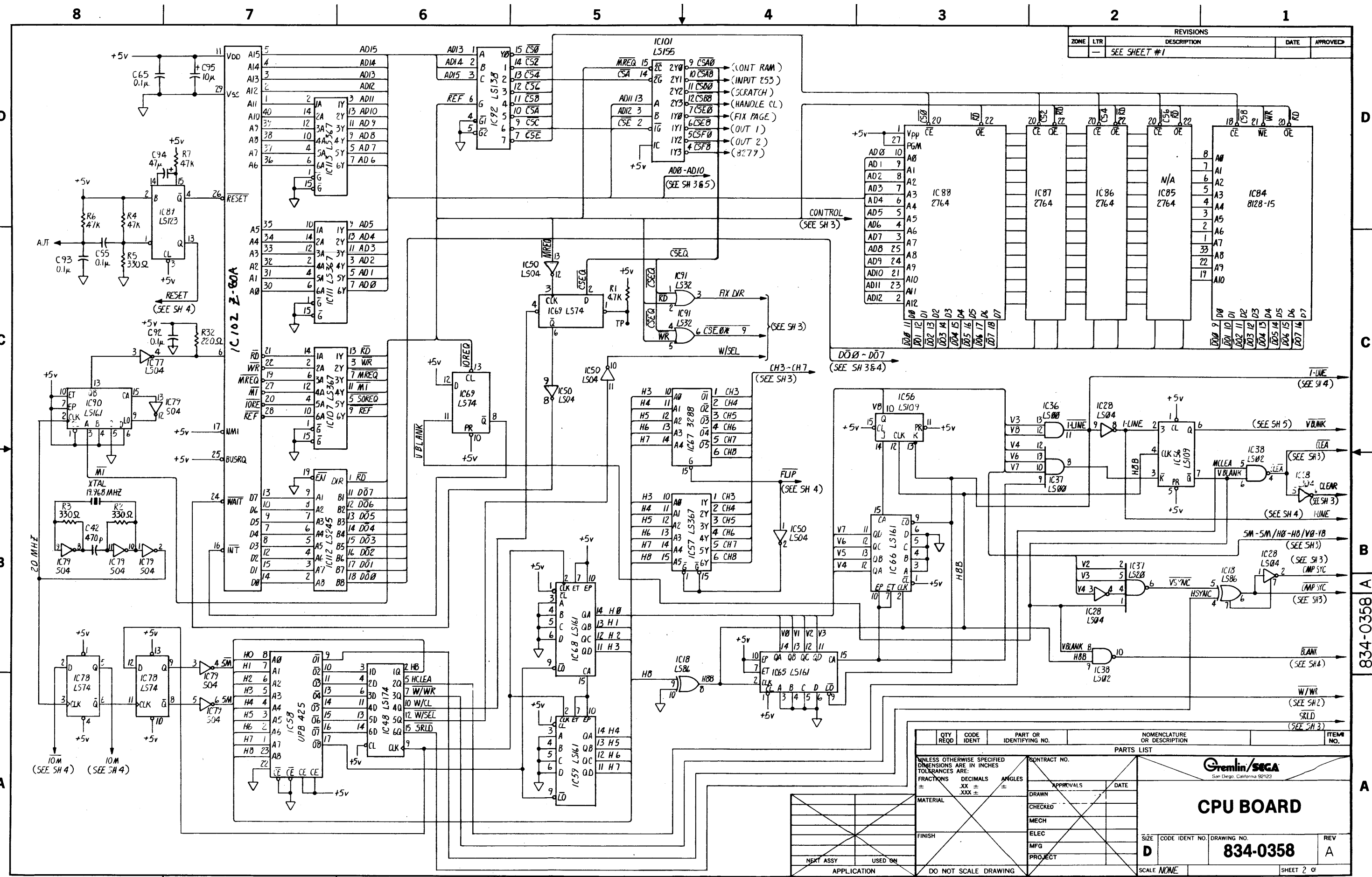
REVISIONS				
ZONE	LTR	DESCRIPTION	DATE	APPROVED
-	-	SEE SH # 1	SD	



QTY REQD	CODE IDENT	PART OR IDENTIFYING NO.	NOMENCLATURE OR DESCRIPTION	ITEM NO.
PARTS LIST				
UNLESS OTHERWISE SPECIFIED DIMENSIONS ARE IN INCHES TOLERANCES ARE:		CONTRACT NO.		
FRACTIONS	DECIMALS	ANGLES	APPROVALS	DATE
±	.XX ±	°		
	.XXX ±			
MATERIAL		 SOUND BOARD		
FINISH				
NEXT ASSY USED ON				
APPLICATION				
DO NOT SCALE DRAWING		SIZE: D CODE IDENT NO.: 834-0246 DRAWING NO.: 834-0246 REV: A		SHEET 2 OF

834-0246 A

REVISIONS				
ZONE	LTR	DESCRIPTION	DATE	APPROVED
-	-	SEE SHEET #1		



QTY REQD	CODE IDENT	PART OR IDENTIFYING NO.	NOMENCLATURE OR DESCRIPTION	ITEM NO.
PARTS LIST				
UNLESS OTHERWISE SPECIFIED DIMENSIONS ARE IN INCHES TOLERANCES ARE: FRACTIONS DECIMALS ANGLES ± .XX ± .XXX ±				
MATERIAL		CONTRACT NO.		
FINISH		APPROVALS		
NEXT ASSY		DATE		
USED ON		DRAWN		
APPLICATION		CHECKED		
DO NOT SCALE DRAWING		MECH		
		ELEC		
		MFG		
		PROJECT		
		SIZE CODE IDENT NO. DRAWING NO.		
		D 834-0358		
		SCALE NONE		
		REV A		
		SHEET 2 OF		

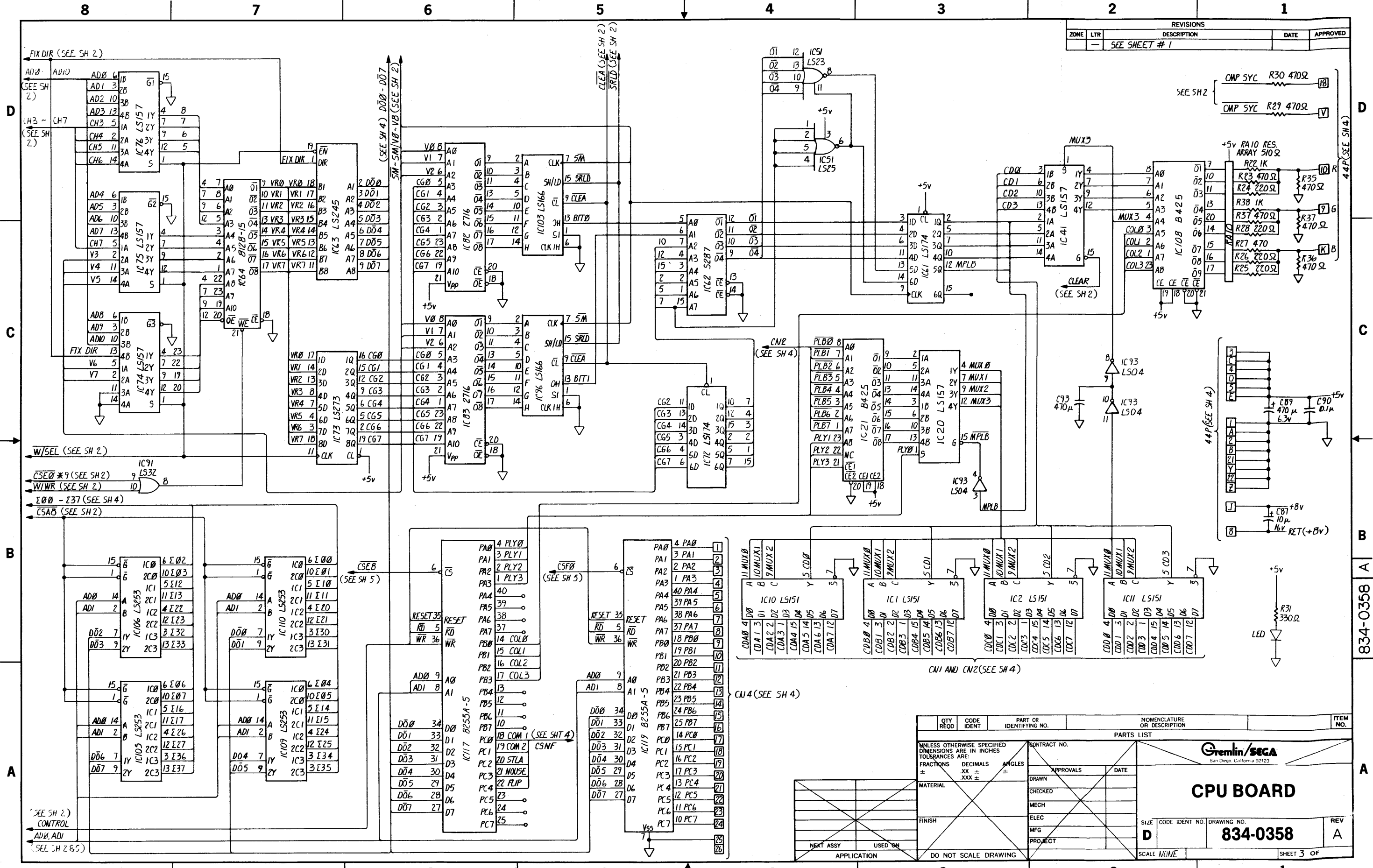
Gremlin/SEGA
San Diego, California 92122

CPU BOARD

834-0358

834-0358 A

REVISIONS				
ZONE	LTR	DESCRIPTION	DATE	APPROVED
		SEE SHEET # 1		

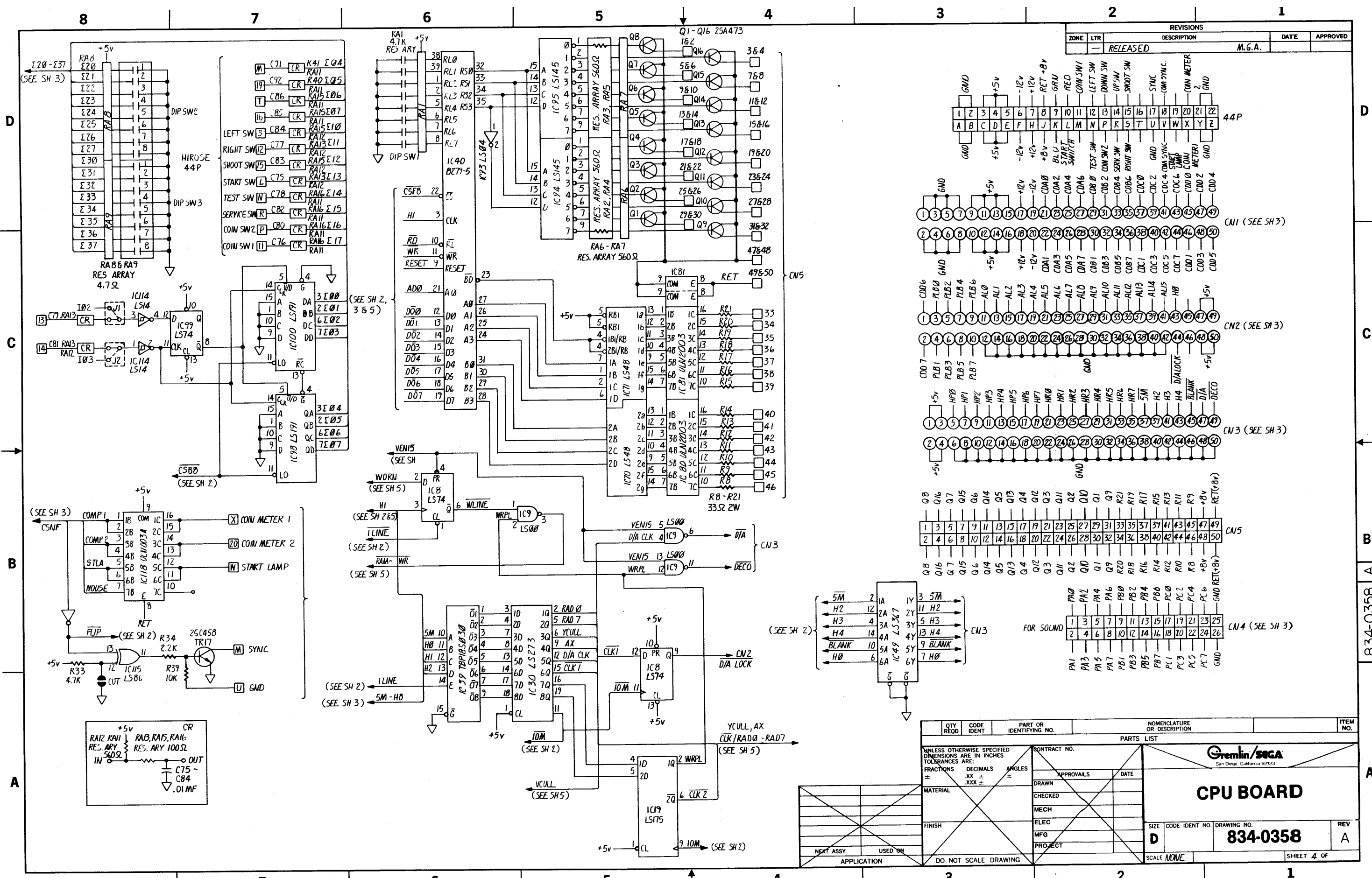


QTY REQD	CODE IDENT	PART OR IDENTIFYING NO.	NOMENCLATURE OR DESCRIPTION	ITEM NO.
PARTS LIST				
UNLESS OTHERWISE SPECIFIED DIMENSIONS ARE IN INCHES TOLERANCES ARE:		CONTRACT NO.		
FRACTIONS	DECIMALS	ANGLES	APPROVALS	DATE
±	±	±		
MATERIAL		DRAWN		
FINISH		CHECKED		
NEXT ASSY		MECH		
USED ON		ELEC		
APPLICATION		MFG		
DO NOT SCALE DRAWING		PROJECT		

CPU BOARD

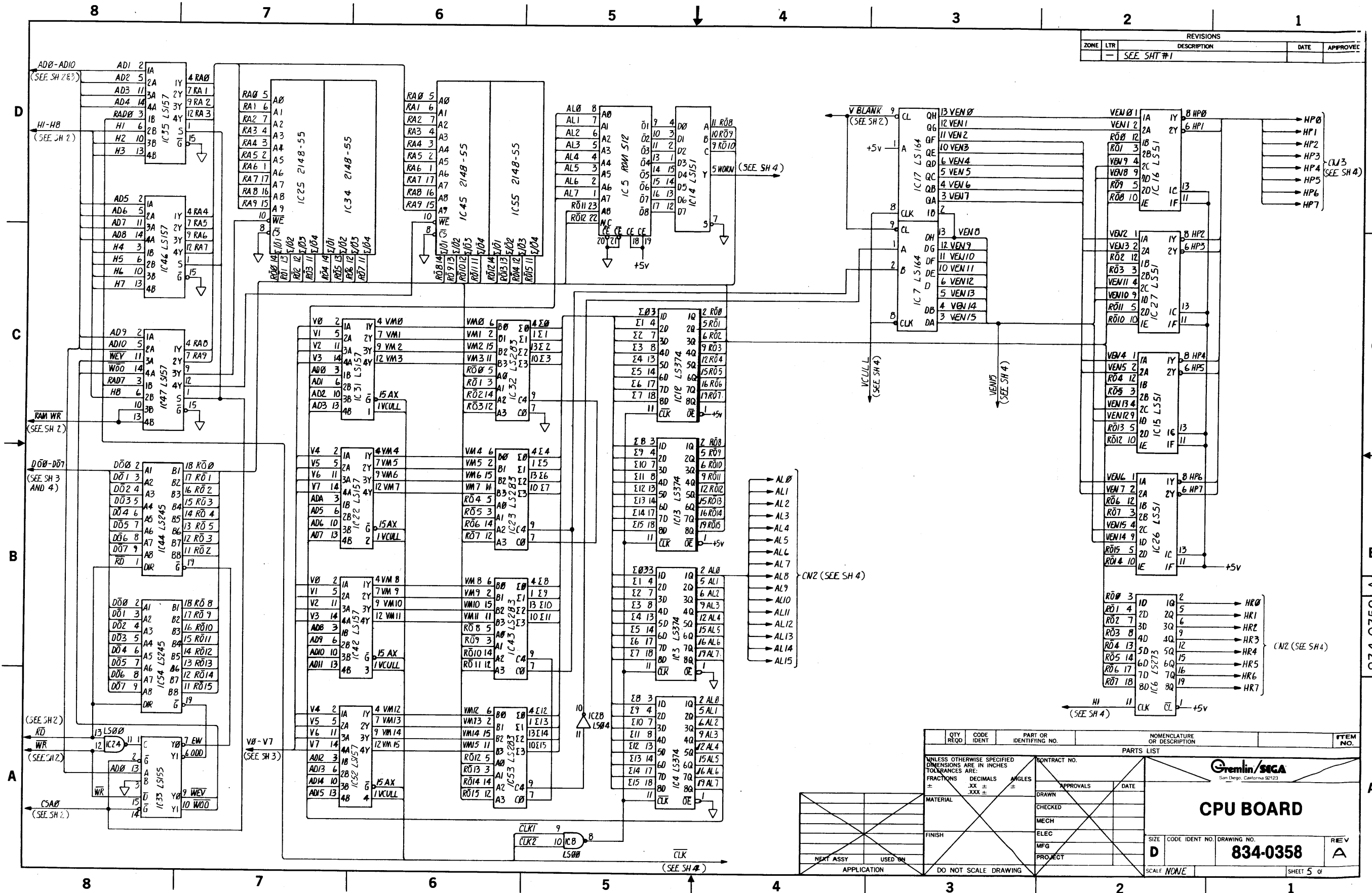
834-0358

REVISIONS				
ZONE	LTR	DESCRIPTION	DATE	APPROVED
RELEASED			M.G.A.	



QTY REQD	CODE IDENT	PART OR IDENTIFYING NO.	NOMENCLATURE OR DESCRIPTION	ITEM NO.
PARTS LIST				
UNLESS OTHERWISE SPECIFIED DIMENSIONS ARE IN INCHES TOLERANCES ARE: FRACTIONS DECIMALS ANGLES				
MATERIAL		CONTRACT NO.		Gremlin/SEGA San Diego, California 92123
FINISH		APPROVALS		
NEXT ASSY		DRAWN		CPU BOARD
USED ON		CHECKED		
APPLICATION		MECH		SIZE CODE IDENT NO. DRAWING NO. REV D 834-0358 A
		ELEC		
		MFG		SCALE <i>NONE</i> SHEET 4 OF
		PROJECT		

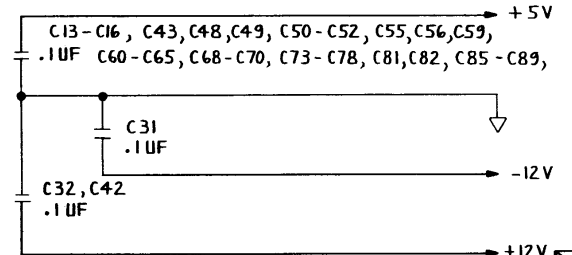
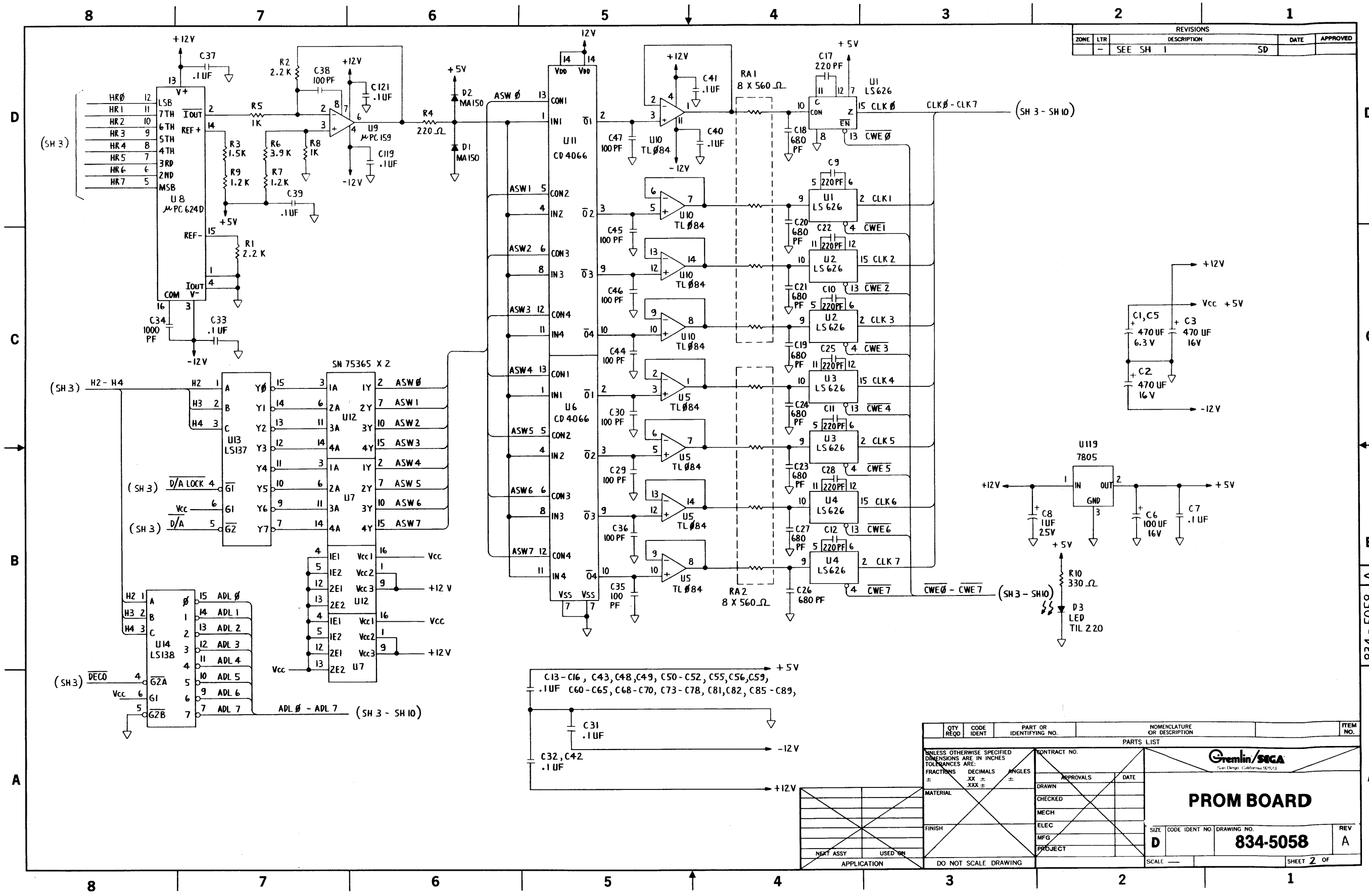
834-0358



REVISIONS			
ZONE	LTR	DESCRIPTION	DATE
-	-	SEE SH 1	

QTY REQD	CODE IDENT	PART OR IDENTIFYING NO.	NOMENCLATURE OR DESCRIPTION	ITEM NO.
PARTS LIST				
UNLESS OTHERWISE SPECIFIED DIMENSIONS ARE IN INCHES TOLERANCES ARE:				
FRACTIONS		DECIMALS	ANGLES	
±		± .XX	±	
		± .XXX		
MATERIAL		APPROVALS		DATE
FINISH		CHECKED		
NEXT ASSY		MECH		
USED ON		ELEC		
APPLICATION		MFG		
		PROJECT		
 CPU BOARD				REV
SIZE CODE IDENT NO. DRAWING NO. D 834-0358				A
SCALE NONE				SHEET 5 OF

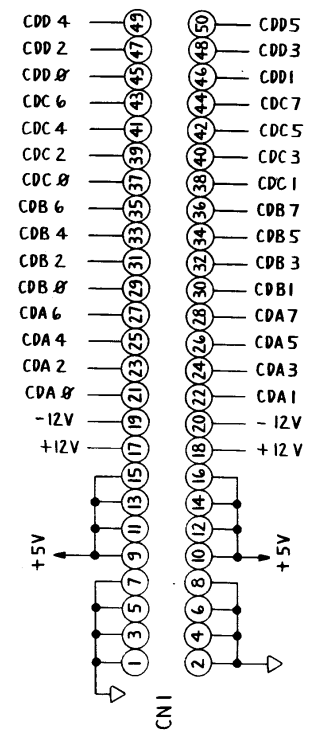
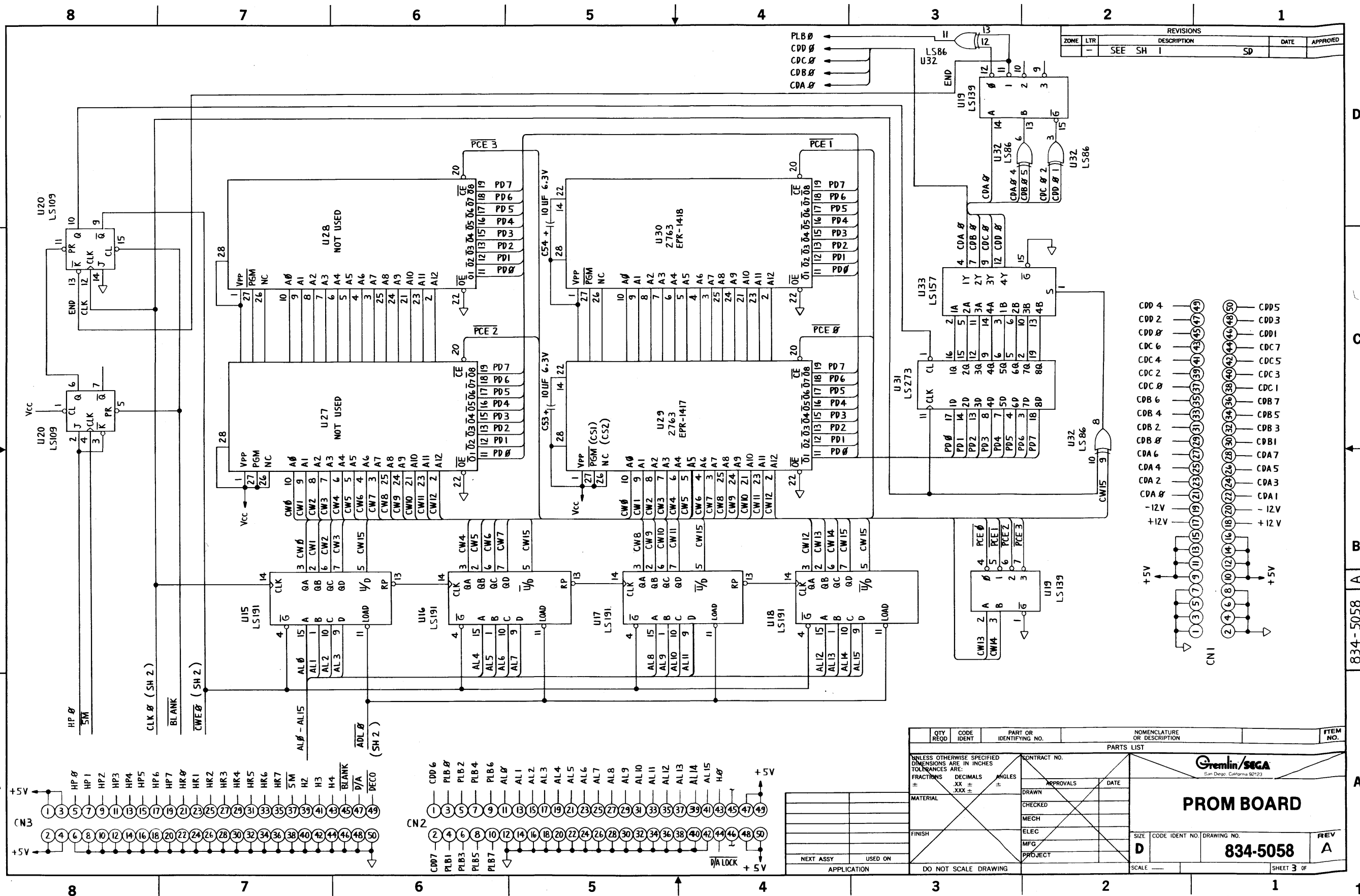
REVISIONS				
ZONE	LTR	DESCRIPTION	DATE	APPROVED
-	SEE SH 1		SD	



QTY REQD	CODE IDENT	PART OR IDENTIFYING NO.	NOMENCLATURE OR DESCRIPTION	ITEM NO.
PARTS LIST				
UNLESS OTHERWISE SPECIFIED DIMENSIONS ARE IN INCHES TOLERANCES ARE:		CONTRACT NO.		
FRACTIONS	DECIMALS	ANGLES	APPROVALS	DATE
±	.XX ±	±		
MATERIAL		DRAWN		
FINISH		CHECKED		
NEXT ASSY		MECH		
USED ON		ELEC		
APPLICATION		MFG		
DO NOT SCALE DRAWING		PROJECT		
SCALE		SIZE		
		CODE IDENT NO. DRAWING NO.		
		834-5058		
		REV A		
		SHEET 2 OF		

834-5058

REVISIONS				
ZONE	LTR	DESCRIPTION	DATE	APPROVED
1	SEE SH 1		SD	

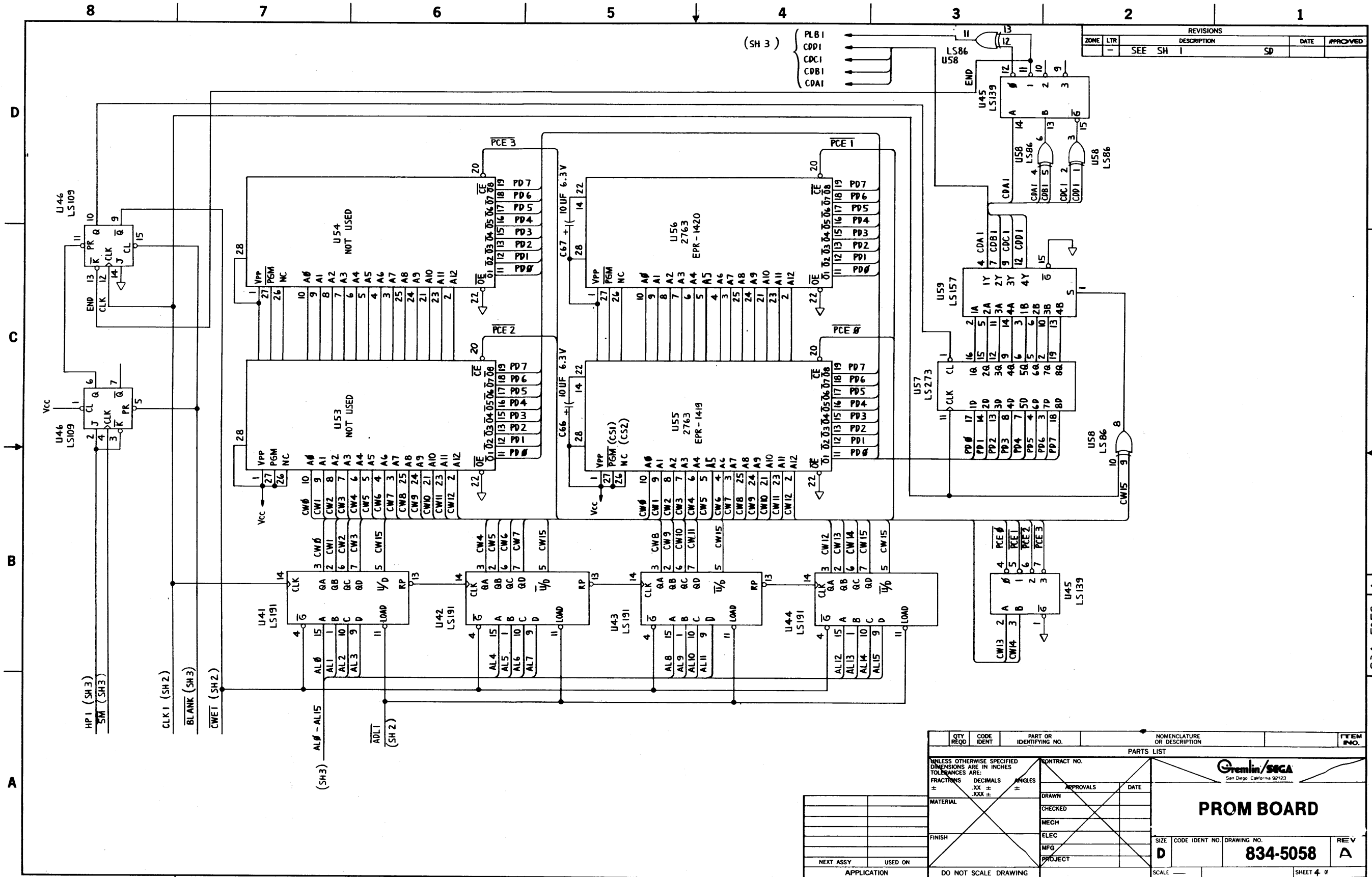


QTY REQD	CODE IDENT	PART OR IDENTIFYING NO.	NOMENCLATURE OR DESCRIPTION	ITEM NO.
PARTS LIST				
UNLESS OTHERWISE SPECIFIED DIMENSIONS ARE IN INCHES TOLERANCES ARE:		CONTRACT NO.		
FRACTIONS	DECIMALS	ANGLES	APPROVALS	DATE
±	± .XX ±	± °	DRAWN	
	± .XXX ±		CHECKED	
MATERIAL			MECH	
			ELEC	
FINISH			MFG	
			PROJECT	
NEXT ASSY	USED ON	DO NOT SCALE DRAWING	SCALE	SHEET 3 OF

Gremlin/SEGA
San Diego, California 92123

PROM BOARD

SIZE: **D** CODE IDENT NO: **834-5058** DRAWING NO: **834-5058** REV: **A**



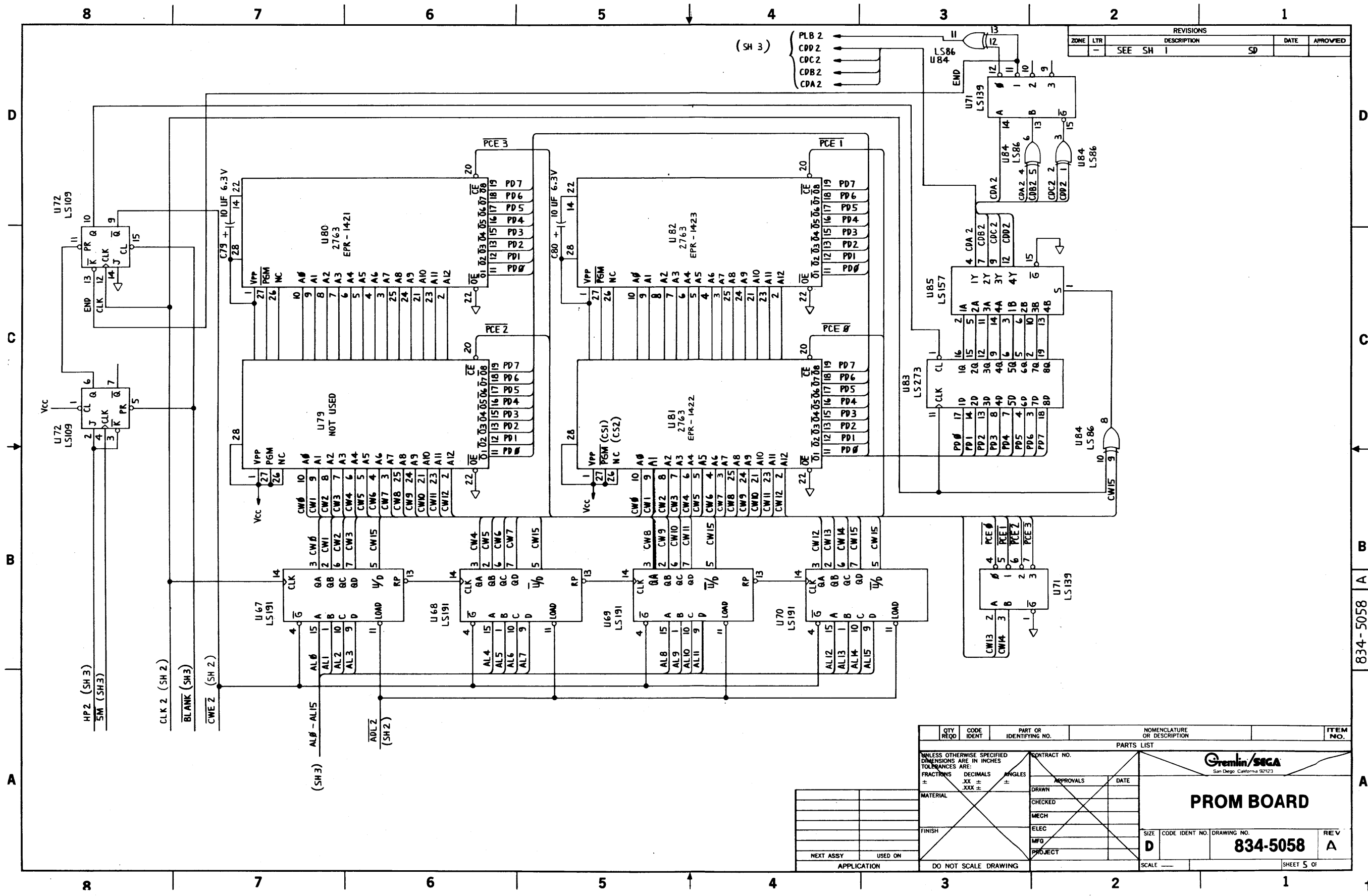
REVISIONS				
ZONE	LTR	DESCRIPTION	DATE	APPROVED
-	SEE SH 1			

8 7 6 5 4 3 2 1

D C B A

A B A

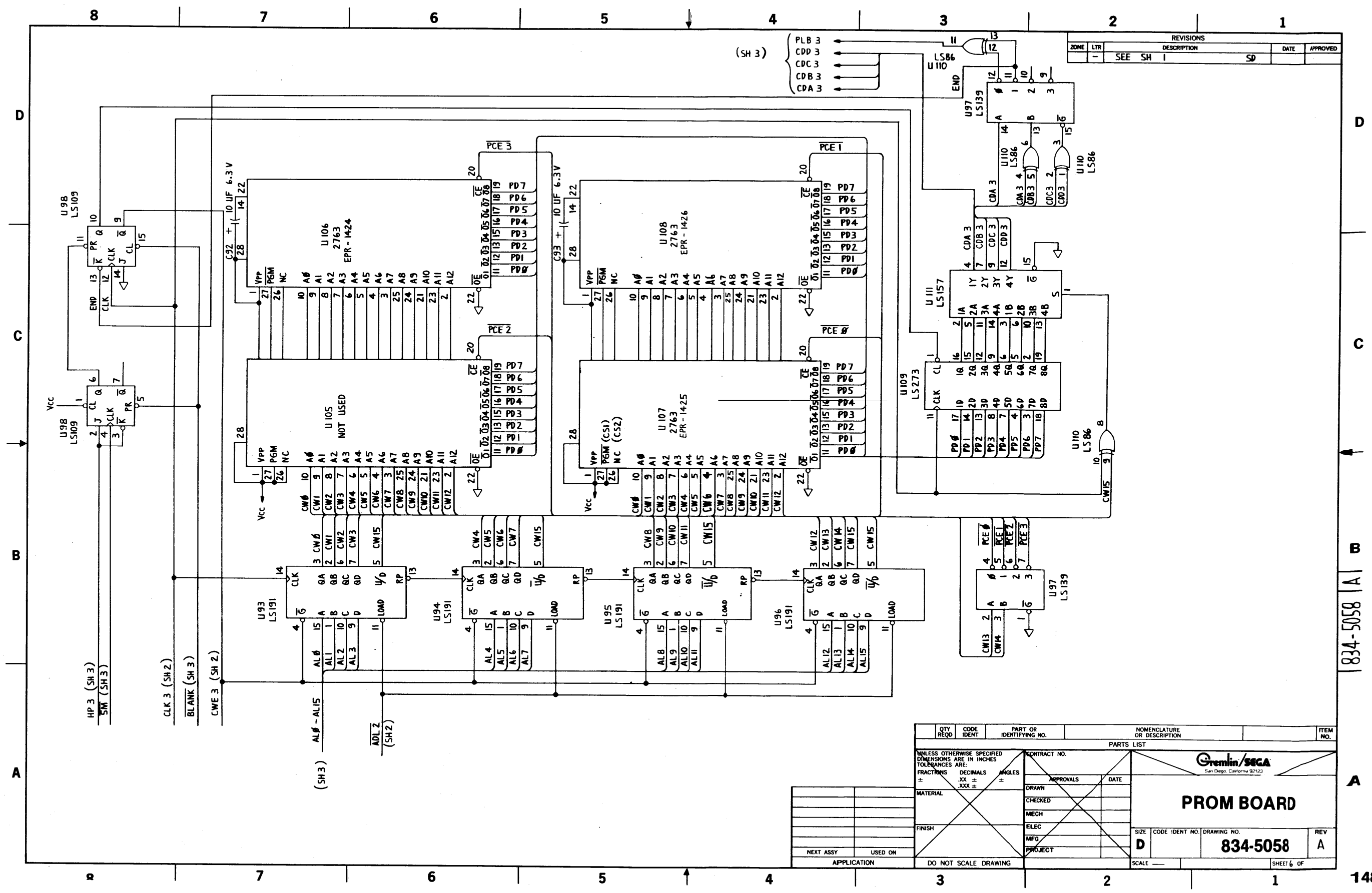
8 7 6 5 4 3 2 1



REVISIONS			
ZONE	LTR	DESCRIPTION	DATE
-	-	SEE SH 1	SD

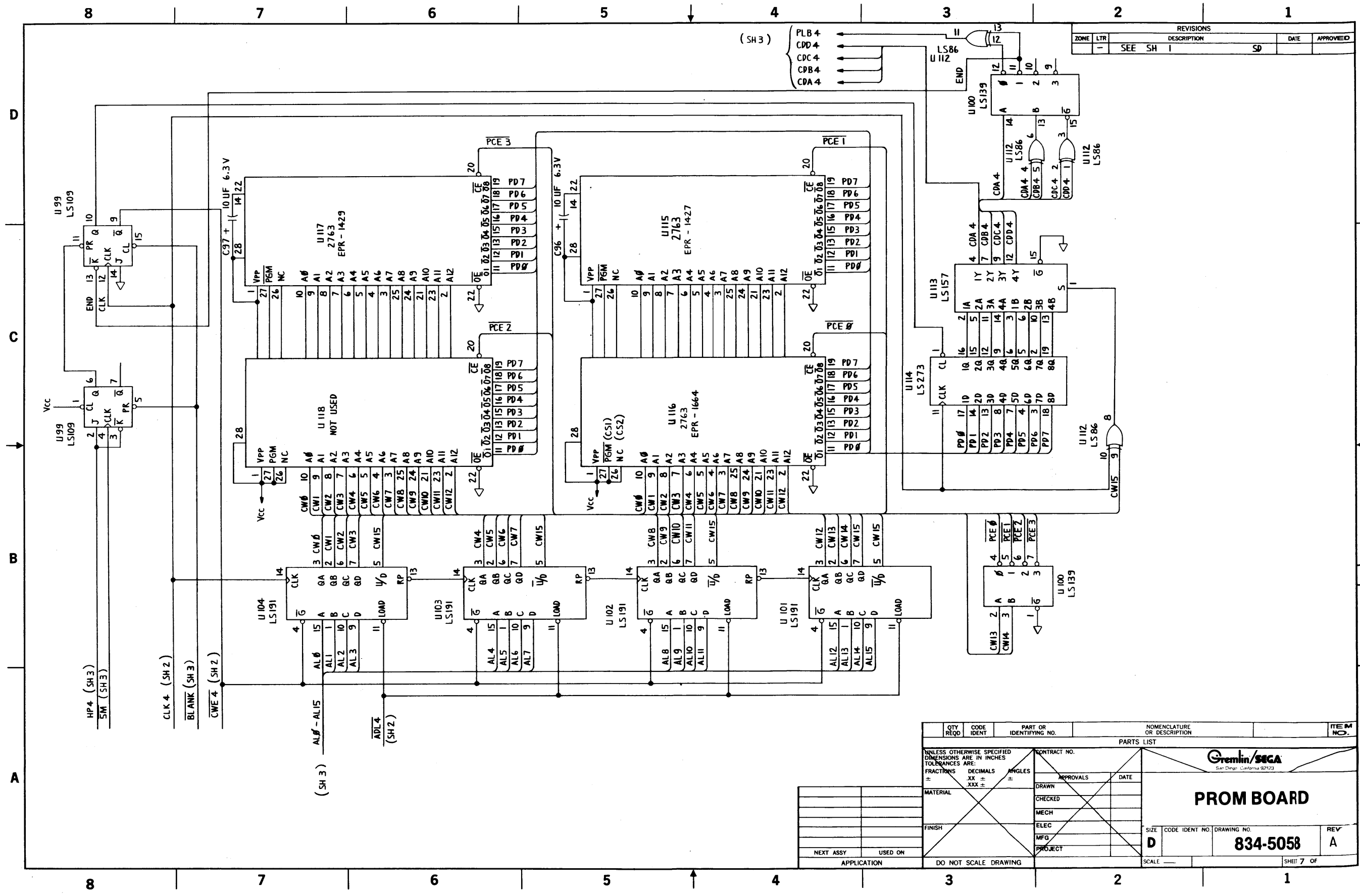
- (SH 3)
- PLB 2
 - CPD 2
 - CDC 2
 - CDB 2
 - CDA 2

QTY REQD	CODE IDENT	PART OR IDENTIFYING NO.	NOMENCLATURE OR DESCRIPTION	ITEM NO.
PARTS LIST				
UNLESS OTHERWISE SPECIFIED DIMENSIONS ARE IN INCHES TOLERANCES ARE:		CONTRACT NO.		
FRACTIONS ±	DECIMALS ±	ANGLES ±	APPROVALS	
MATERIAL		DATE		
FINISH		DRAWN		
NEXT ASSY USED ON		CHECKED		
APPLICATION		MECH		
DO NOT SCALE DRAWING		ELEC		
		MFG		
		PROJECT		
		SIZE CODE IDENT NO. DRAWING NO. REV		
		D 834-5058 A		
		SCALE SHEET 5 OF 147		



REVISIONS				
ZONE	LTR	DESCRIPTION	DATE	APPROVED
-	1	SEE SH 1	SD	

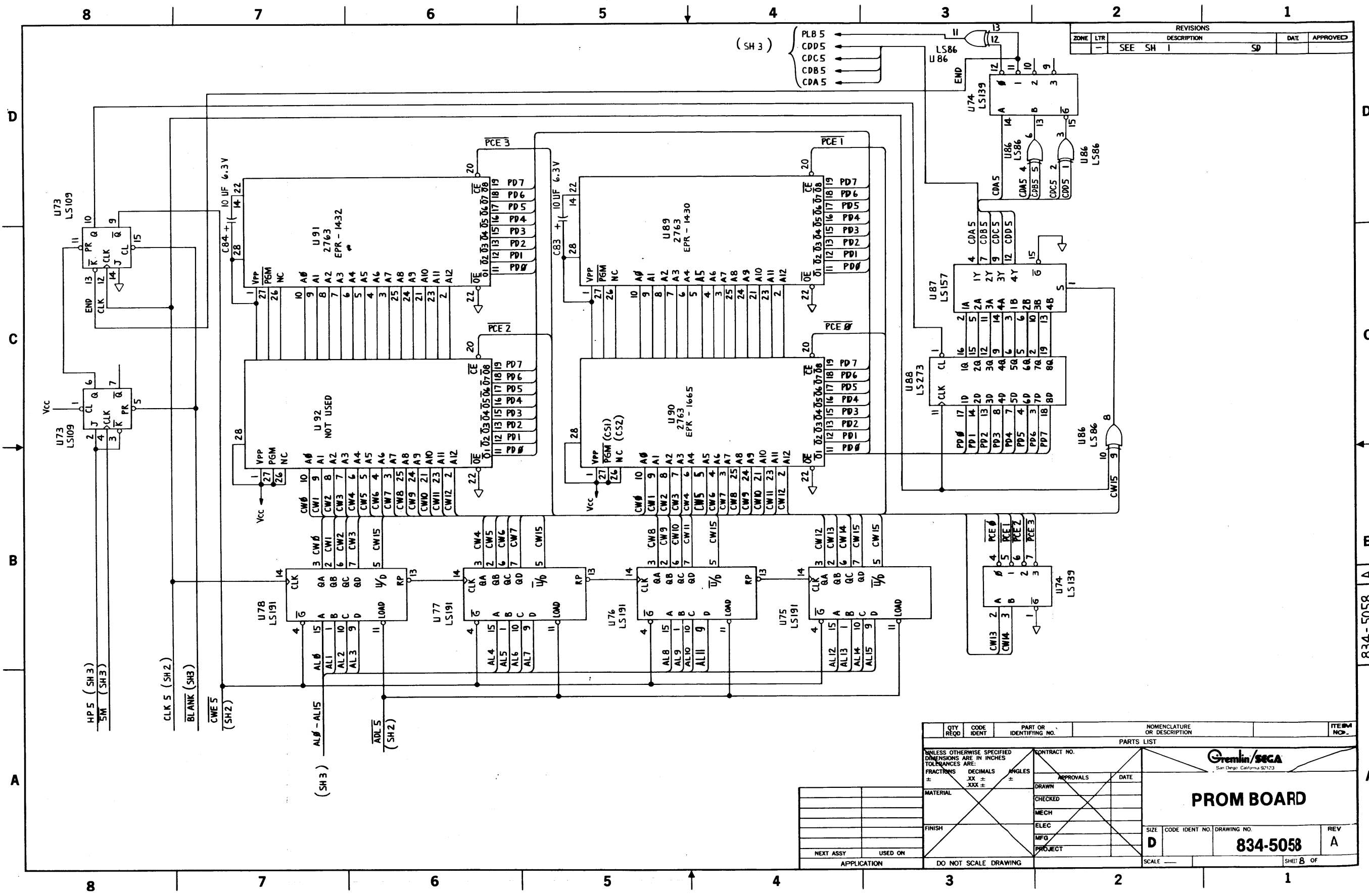
QTY	CODE	PART OR IDENTIFYING NO.	NOMENCLATURE OR DESCRIPTION	ITEM NO.
PARTS LIST				
UNLESS OTHERWISE SPECIFIED DIMENSIONS ARE IN INCHES. TOLERANCES ARE:				
FRACTIONS	DECIMALS	ANGLES		
±	±	±		
MATERIAL		CONTRACT NO.		
FINISH		APPROVALS		
NEXT ASSY		DRAWN		
USED ON		CHECKED		
APPLICATION		MECH		
DO NOT SCALE DRAWING		ELEC		
		MFG		
		PROJECT		
PROM BOARD				
SIZE	CODE	IDENT NO.	DRAWING NO.	REV
D			834-5058	A
SCALE				SHEET 6 OF



REVISIONS				
ZONE	LTR	DESCRIPTION	DATE	APPROVED
1	SEE SH 1		SD	

QTY REQD	CODE IDENT	PART OR IDENTIFYING NO.	NOMENCLATURE OR DESCRIPTION	ITEM NO.
PARTS LIST				
PROM BOARD				
DRAWN		APPROVALS		DATE
CHECKED				
MECH				
ELEC				
MFG				
PROJECT				
FINISH				
MATERIAL				
NEXT ASSY		USED ON		
APPLICATION		DO NOT SCALE DRAWING		

834-5058 A B



REVISIONS				
ZONE	LTR	DESCRIPTION	DATE	APPROVED
-	SEE SH 1		SD	

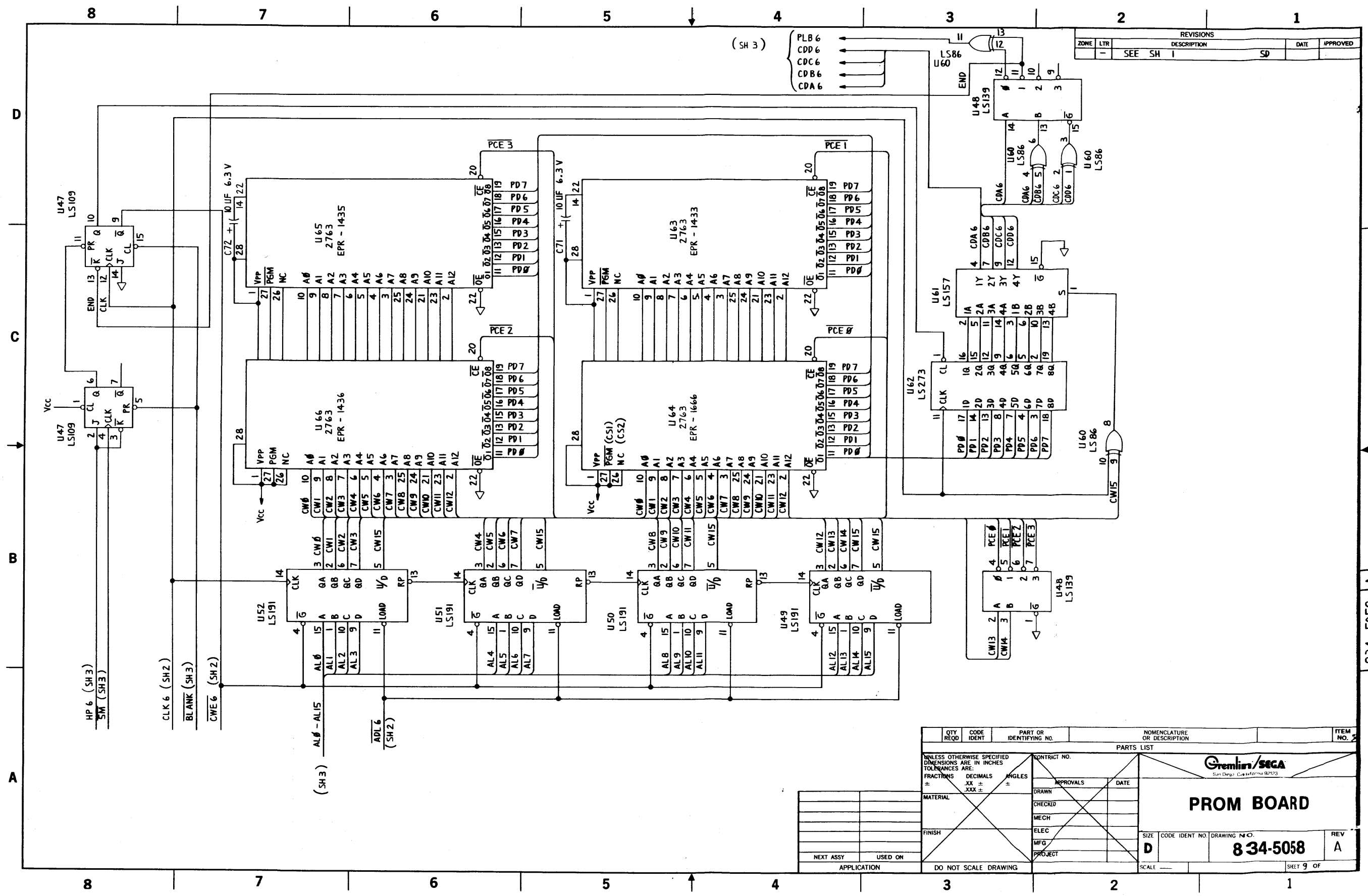
QTY REQD	CODE IDENT	PART OR IDENTIFYING NO.	NOMENCLATURE OR DESCRIPTION	ITEM NO.
PARTS LIST				
UNLESS OTHERWISE SPECIFIED DIMENSIONS ARE IN INCHES TOLERANCES ARE:				
FRACTIONS	DECIMALS	ANGLES		
±	.XX ±	±		
±	.XXX ±	±		
MATERIAL		CONTRACT NO.		APPROVALS
FINISH		DRAWN		DATE
NEXT ASSY		CHECKED		
USED ON		MECH		
APPLICATION		ELEC		
DO NOT SCALE DRAWING		MFG		
		PROJECT		
SIZE CODE IDENT NO. DRAWING NO.			REV	
D 834-5058			A	
SCALE			SHEET B OF	

Gremlin/SEGA
San Diego, California 92123

PROM BOARD

834-5058

834-5058 | A | B



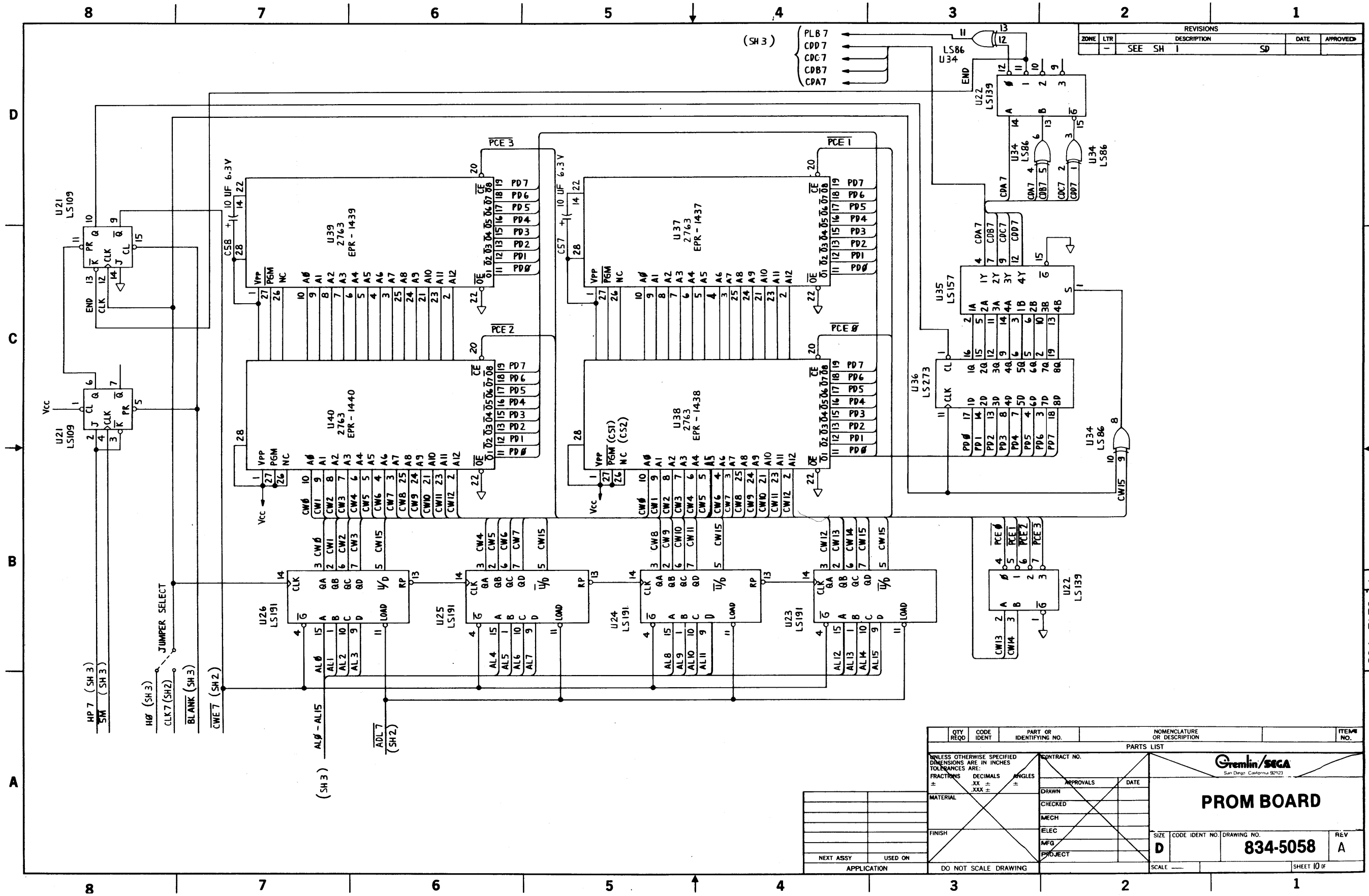
REVISIONS				
ZONE	LTR	DESCRIPTION	DATE	APPROVED
1	SEE SH 1		SD	

(SH 3)

PLB 6
 CDD 6
 CDC 6
 CDB 6
 CDA 6

QTY REQD	CODE IDENT	PART OR IDENTIFYING NO.	NOMENCLATURE OR DESCRIPTION	ITEM NO.
PARTS LIST				
UNLESS OTHERWISE SPECIFIED DIMENSIONS ARE IN INCHES TOLERANCES ARE:				
FRACTIONS	DECIMALS	ANGLES		
±	±	±		
MATERIAL			APPROVALS	DATE
FINISH			DRAWN	
NEXT ASSY			CHECKED	
USED ON			MECH	
APPLICATION			ELEC	
DO NOT SCALE DRAWING			MFG	
			PROJECT	
PROM BOARD				
SIZE	CODE IDENT NO.	DRAWING NO.	REV	
D		8 34-5058	A	
SCALE	SHEET 9 OF			

834-5058 A B



REVISIONS				
ZONE	LTR	DESCRIPTION	DATE	APPROVED
-	SEE SH 1		SD	

QTY REQD	CODE IDENT	PART OR IDENTIFYING NO.	NOMENCLATURE OR DESCRIPTION	ITEM NO.
PARTS LIST				
UNLESS OTHERWISE SPECIFIED DIMENSIONS ARE IN INCHES TOLERANCES ARE:		CONTRACT NO.		
FRACTIONS ±	DECIMALS ±	ANGLES ±	APPROVALS	
XXX ±	XXX ±	XXX ±	DATE	
MATERIAL		DRAWN		
FINISH		CHECKED		
NEXT ASSY		MECH		
USED ON		ELEC		
APPLICATION		MFG		
DO NOT SCALE DRAWING		PROJECT		

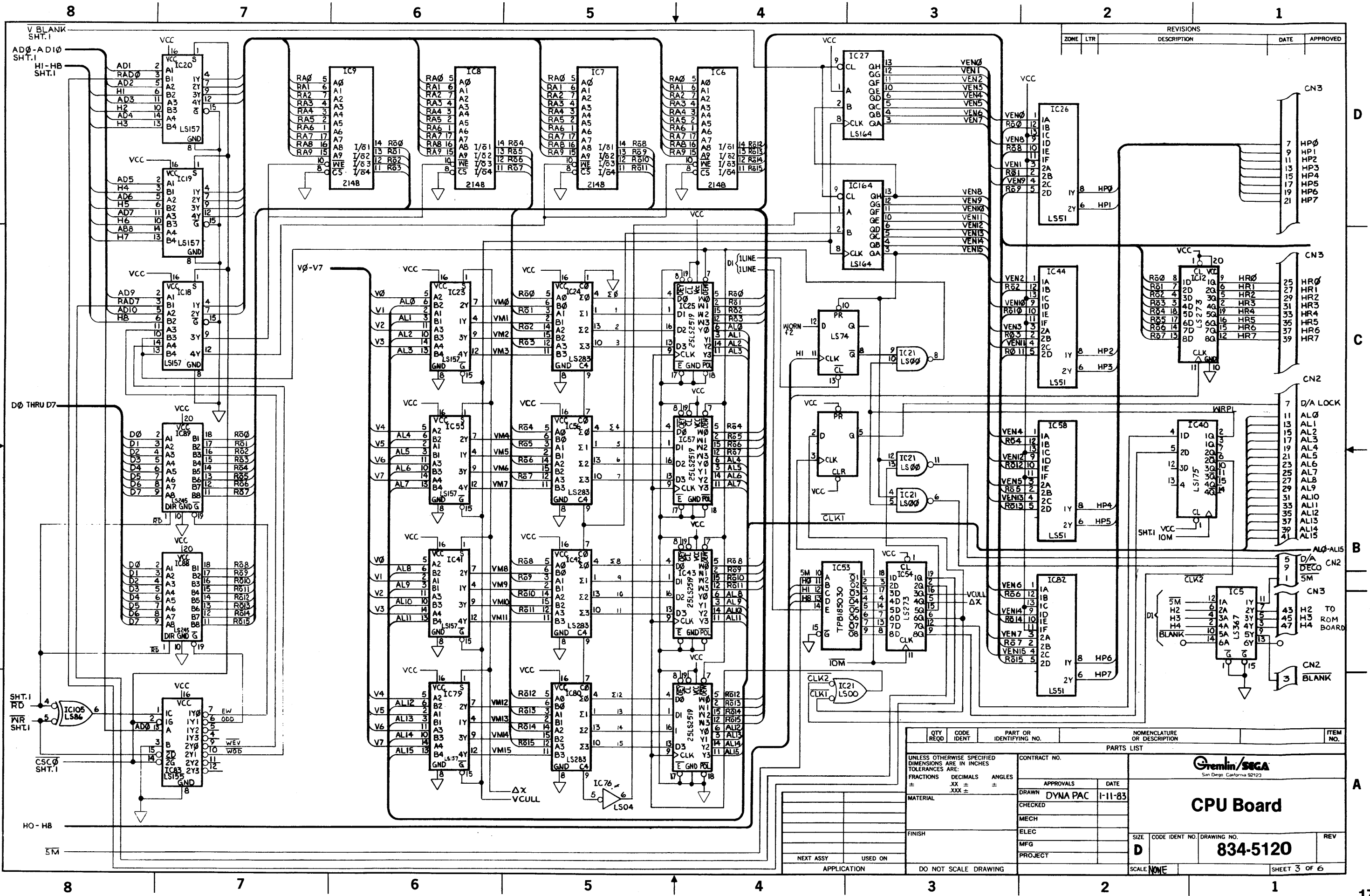
Gremlin/SEGA
San Diego, California 92123

PROM BOARD

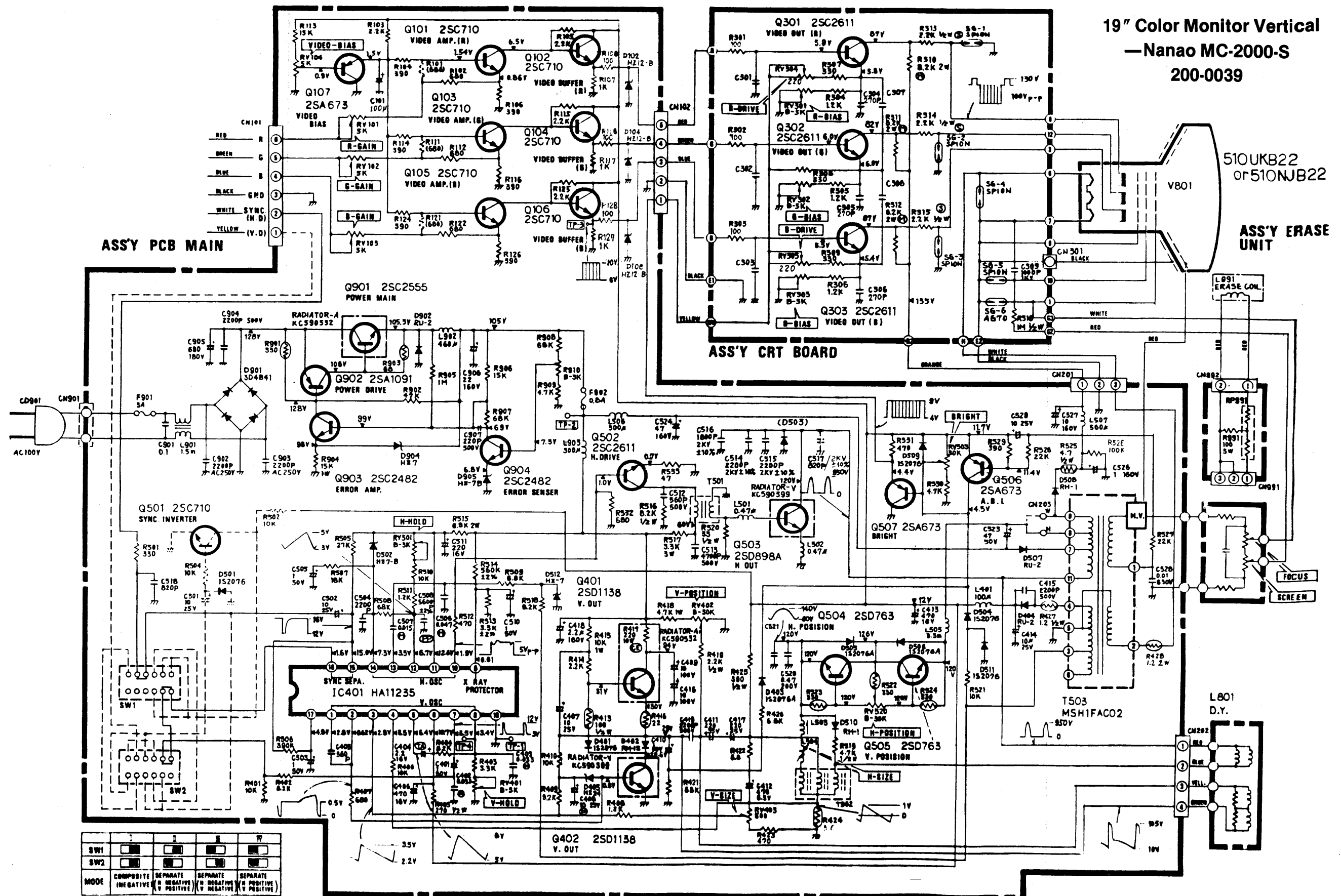
SIZE: **D** CODE IDENT NO: **834-5058** DRAWING NO: **834-5058** REV: **A**

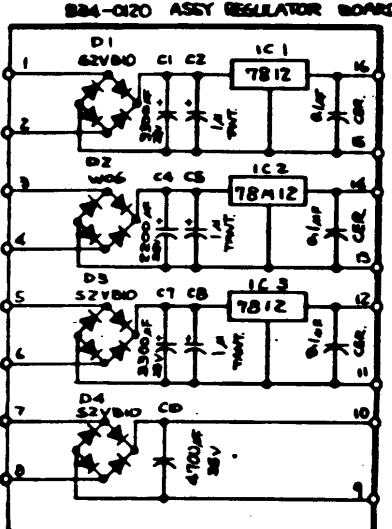
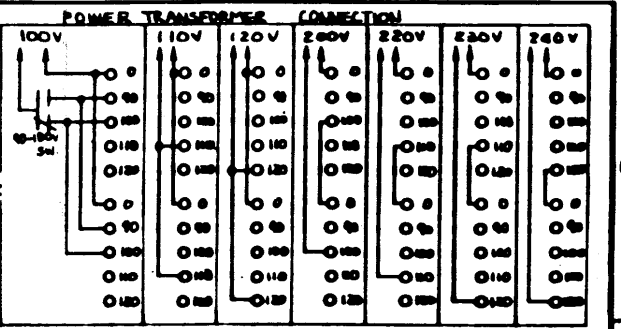
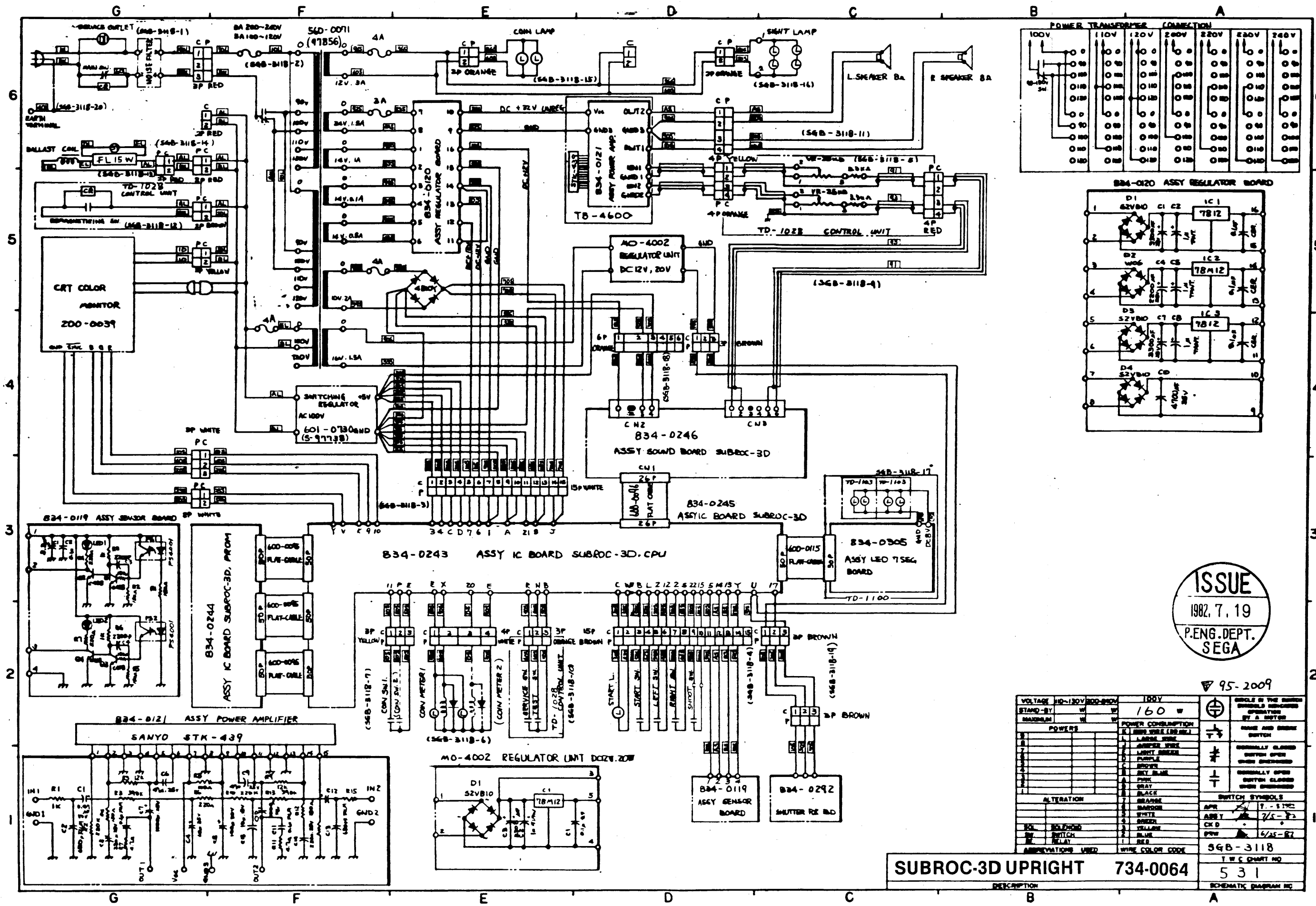
SHEET 10 OF

834-5058 | A | B | C | D



19" Color Monitor Vertical
 — Nanao MC-200-S
 200-0039



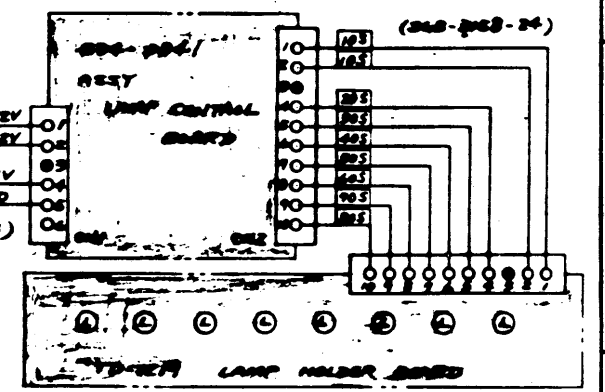
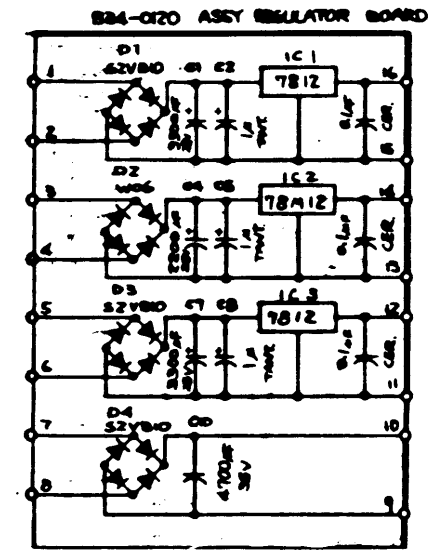
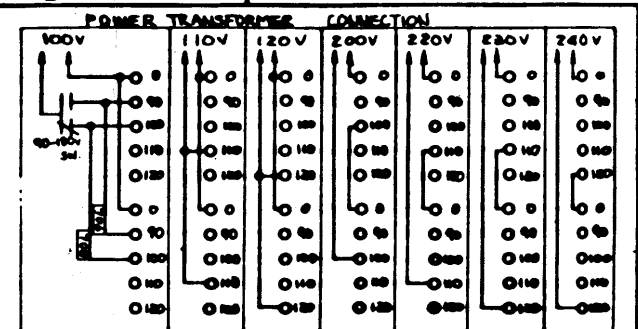
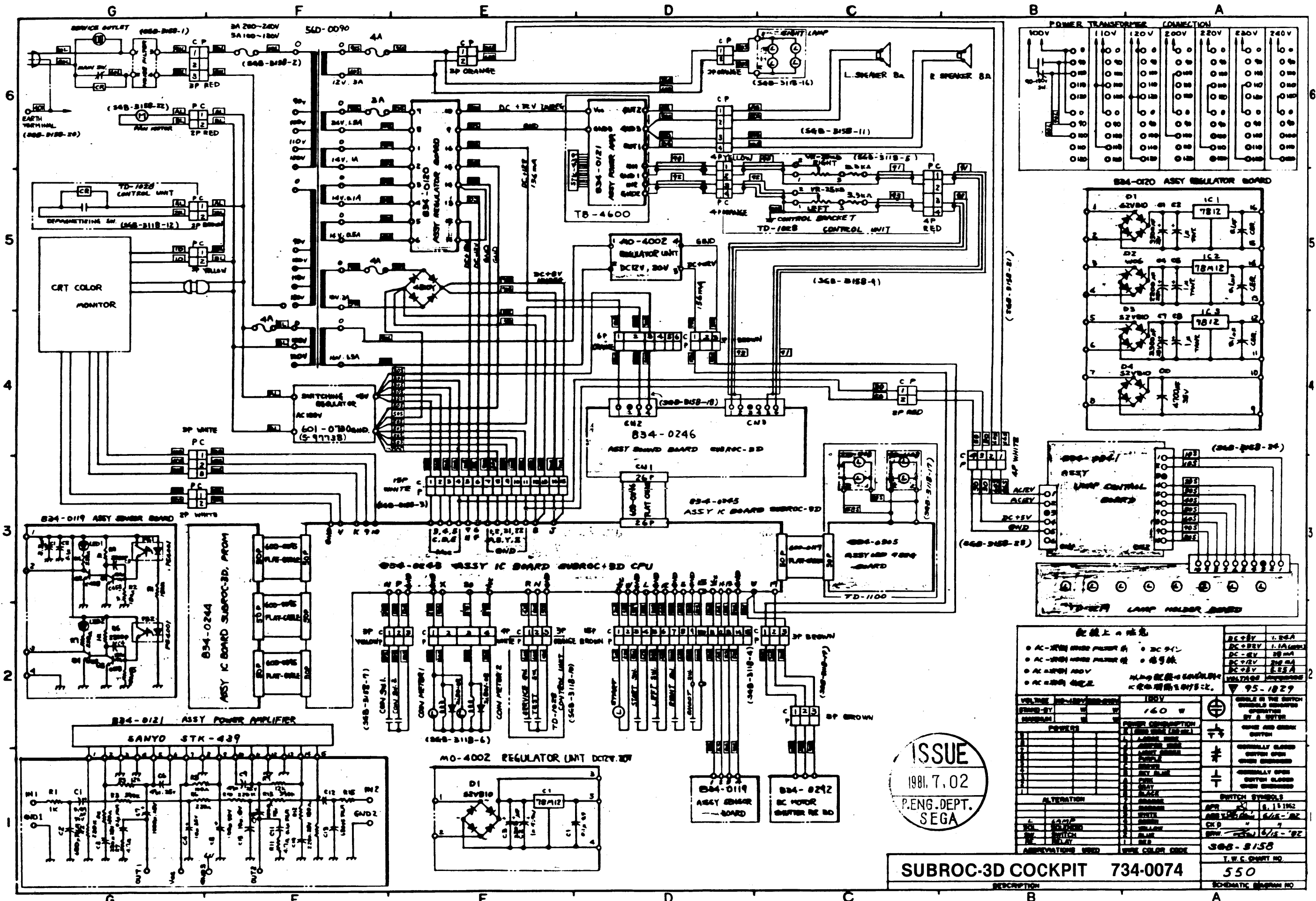


ISSUE
1982. 7. 19
P. ENG. DEPT.
SEGA

95-2009

VOLTAGE	100-130V 200-250V	100V	160 W	⊕	CIRCLE IN THE SQUARE SYMBOLS INDICATE SWITCHES OPERATED BY A MOTOR
STAND-BY	W	W			
MAXIMUM	W	W			
POWER					
1					
2					
3					
4					
5					
6					
7					
8					
9					
10					
11					
12					
13					
14					
15					
16					
17					
18					
19					
20					
21					
22					
23					
24					
25					
26					
27					
28					
29					
30					
31					
32					
33					
34					
35					
36					
37					
38					
39					
40					
41					
42					
43					
44					
45					
46					
47					
48					
49					
50					
51					
52					
53					
54					
55					
56					
57					
58					
59					
60					
61					
62					
63					
64					
65					
66					
67					
68					
69					
70					
71					
72					
73					
74					
75					
76					
77					
78					
79					
80					
81					
82					
83					
84					
85					
86					
87					
88					
89					
90					
91					
92					
93					
94					
95					
96					
97					
98					
99					
100					

SUBROC-3D UPRIGHT 734-0064



配線上の注意

- AC-電源用配線用 1.5mm²
- AC-電源用配線用 1.1mm²
- AC-電源用配線用 0.7mm²
- AC-電源用配線用 0.5mm²
- DC-5V 1.1mm²
- DC-5V 0.7mm²
- DC-5V 0.5mm²
- DC-5V 0.3mm²

95-1029

POWER		POWER DESCRIPTION		SWITCH SYMBOLS	
VOLTS	W	NO.	DESCRIPTION	NO.	DESCRIPTION
100V	160 W	1	POWER SWITCH	1	POWER SWITCH
		2	POWER SWITCH	2	POWER SWITCH
		3	POWER SWITCH	3	POWER SWITCH
		4	POWER SWITCH	4	POWER SWITCH
		5	POWER SWITCH	5	POWER SWITCH
		6	POWER SWITCH	6	POWER SWITCH
		7	POWER SWITCH	7	POWER SWITCH
		8	POWER SWITCH	8	POWER SWITCH
		9	POWER SWITCH	9	POWER SWITCH
		10	POWER SWITCH	10	POWER SWITCH

ALTERATION: 1. LAMP HOLDER BOARD (834-0247) 2. LAMP HOLDER BOARD (834-0247) 3. LAMP HOLDER BOARD (834-0247) 4. LAMP HOLDER BOARD (834-0247) 5. LAMP HOLDER BOARD (834-0247) 6. LAMP HOLDER BOARD (834-0247) 7. LAMP HOLDER BOARD (834-0247) 8. LAMP HOLDER BOARD (834-0247) 9. LAMP HOLDER BOARD (834-0247) 10. LAMP HOLDER BOARD (834-0247)

DESCRIPTION: SUBROC-3D COCKPIT 734-0074

550

ISSUE
1981.7.02
P.ENG.DEPT.
SEGA