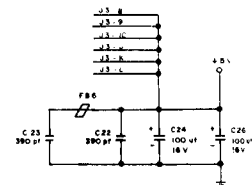
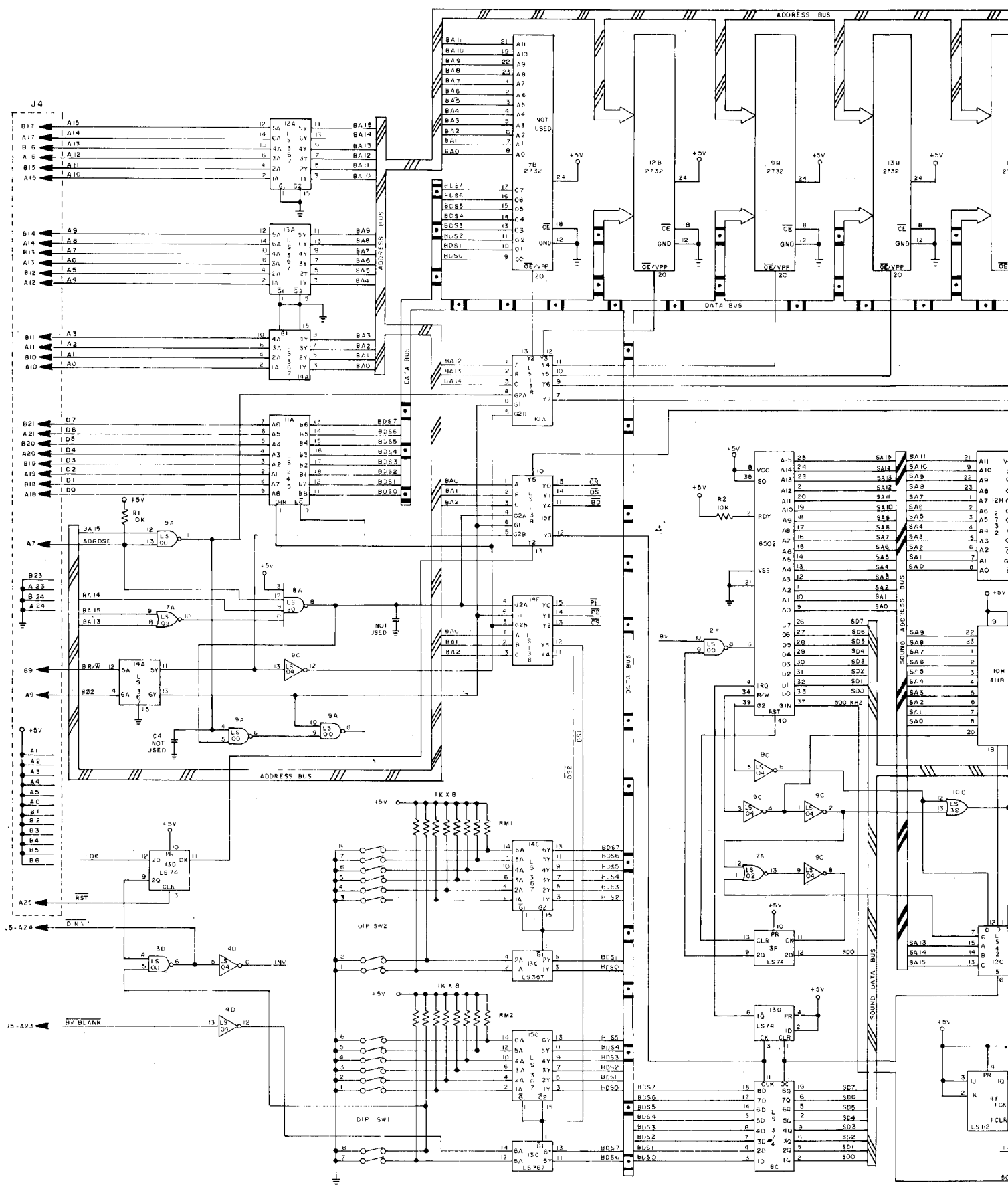
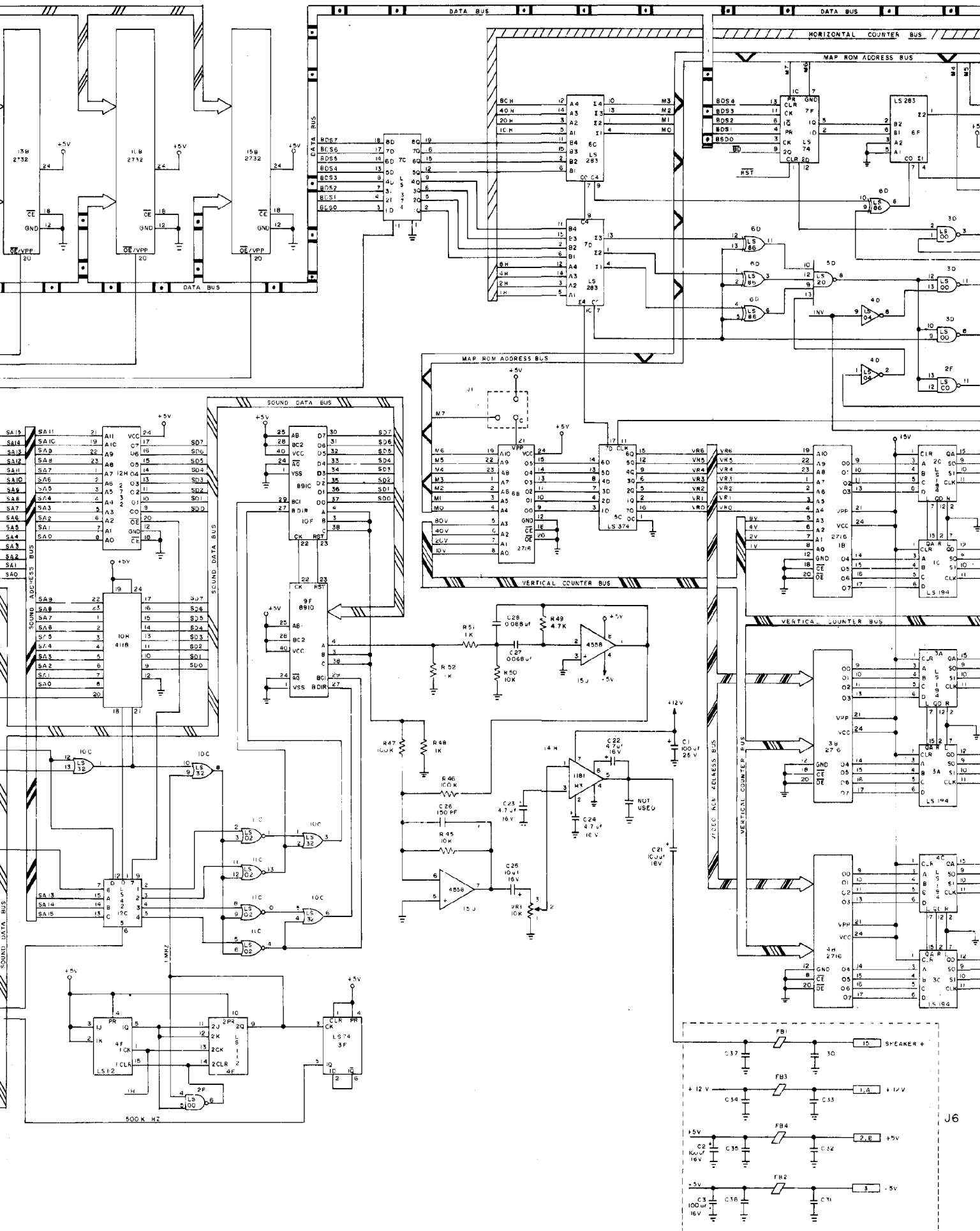


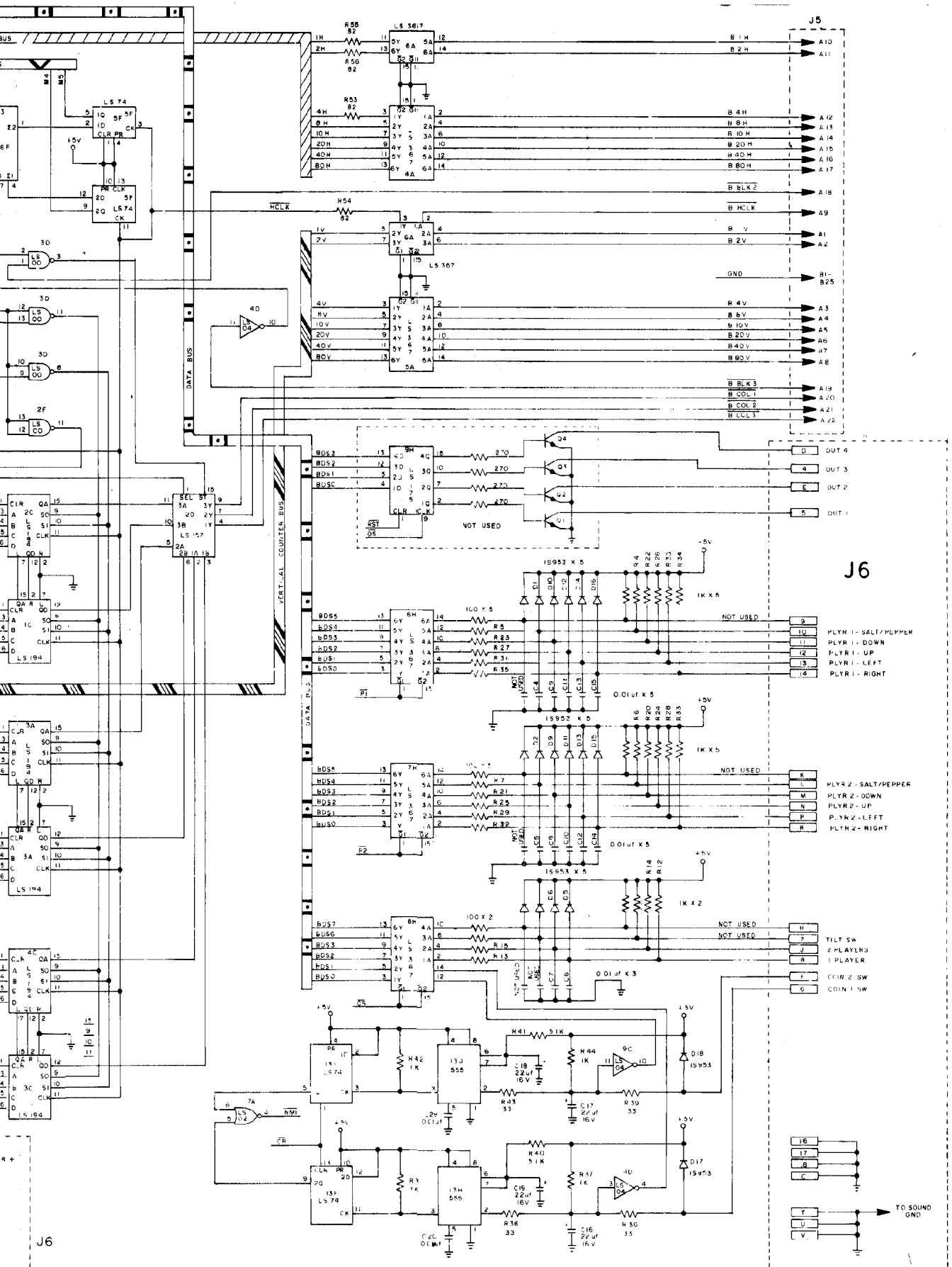
J1		J2	
A1	45V	A1	B1V
B1	45V	A2	B2V
A7	ADDR	A3	B4V
B7	RD	A4	B5V
A8	01N	A5	B0V
B8	TP1	A6	B20V
A9	RD	A7	B40V
B9	R/W	A8	B80V
A10	AB0	A9	BLCK
B10	AB1		
A11	2		
B11	3		
A12	4	A10	B1H
B12	5	A11	B2H
A13	6	A12	B4H
B13	7	A13	B8H
A14	8	A14	B16H
B14	9	A15	B20H
A15	10	A16	B40H
B15	11	A17	B80H
A16	12	A18	BLK 2
B16	13	A19	B BLK 3
A17	14	A20	B COL 1
B17	15	A21	B COL 2
A18	16	A22	B COL 3
B18	17	A23	V SYNC
A19	18	A24	TV SYNC
B19	19	A25	MV
A20	20		
B20	21		
A21	22		
B21	23		
A22	24		
B22	25		
A23	26		
B23	27		
A24	28		
B24	29		
A25	30		
B25	31		



SCHEMATIC
BURGERTIME CPU/DATA
A04-91461-8332







J5

J6

DESIGNED BY		CHECKED BY		REVISED	
J. SZERSZEN		[Signature]		NONE	
PART NO. 101-101-101-101				DATE: 11/15/78	
SHEET NO. 10				REV. 1	
DRAWN BY: [Signature]				DATE: 11/15/78	
CHECKED BY: [Signature]				DATE: 11/15/78	
APPROVED BY: [Signature]				DATE: 11/15/78	
PROJECT NO.		PART NO.		REV. NO.	
J. SZERSZEN		101-101-101-101		NONE	
DO NOT SCALE		FULL		SOUND I/O BURGER-TIME	
NO DIMENSIONS		NO HOLE ONE PER		MOSI - 00333 - P007	