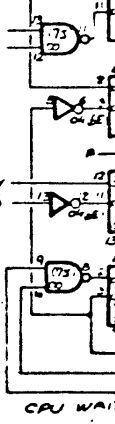
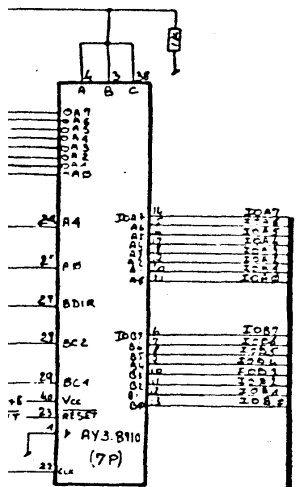
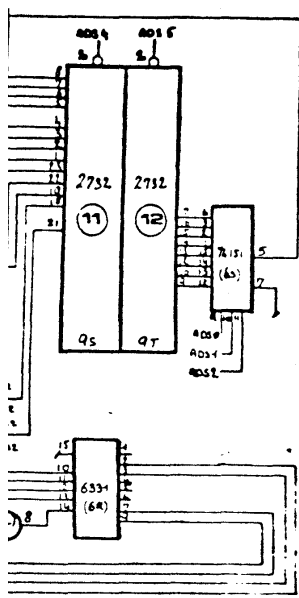
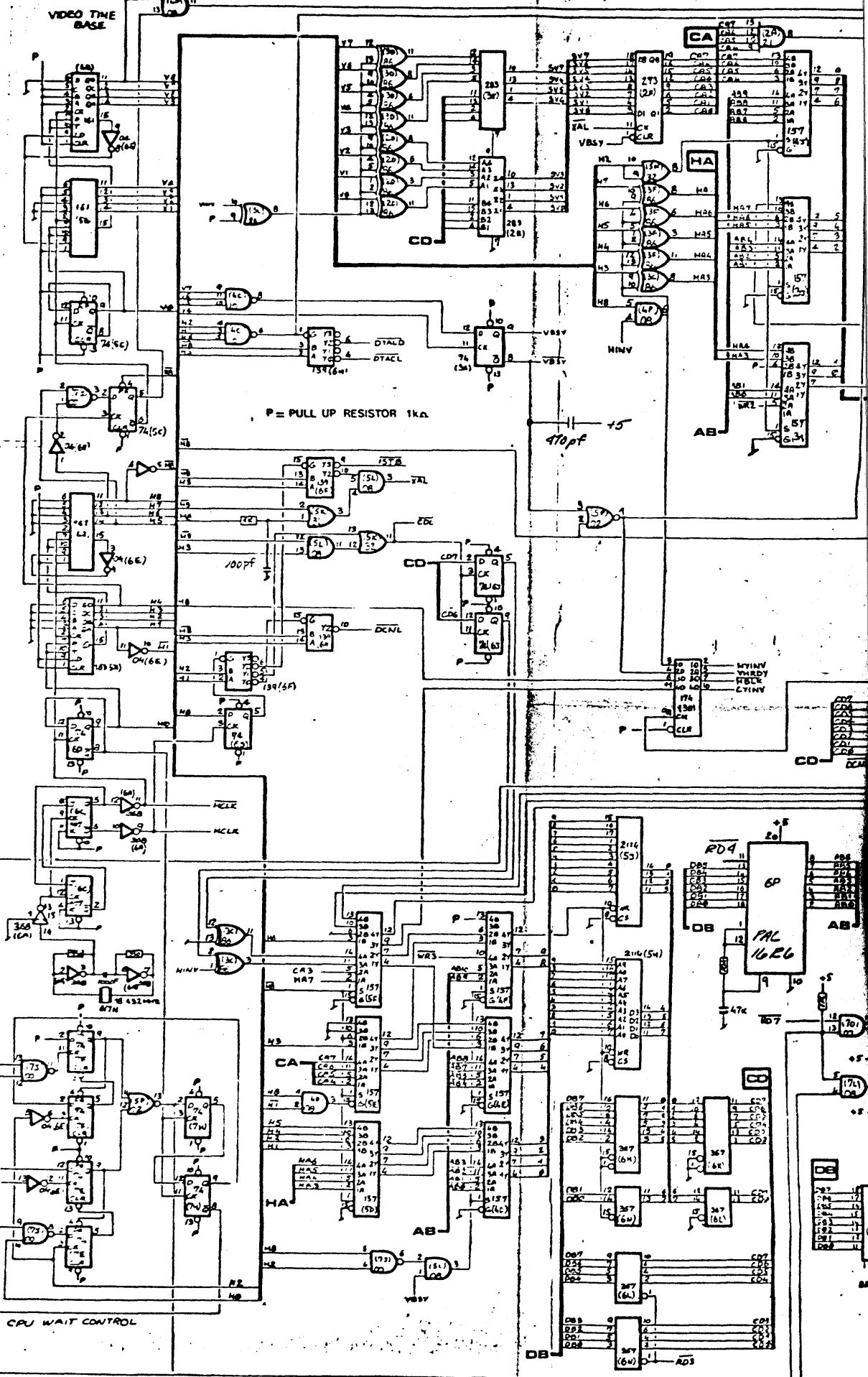


	PROGRAMMATION																						
	1	2	3	4	5	6	7	8															
	A	B	C	D	E	F	G	H															
2 BAGNARD	OFF	OFF																					
3	ON	OFF																					
4	OFF	ON																					
5	ON	ON																					
1 COIN 1 PLAY (A)			OFF																				
2 - 1 - (B)			ON																				
DIFFICULTY	1		OFF	OFF																			
	2		ON	OFF																			
	3		OFF	ON																			
	4		ON	ON																			
ENGLISH						OFF																	
						ON																	
BONUS	30 000						OFF																
	40 000						ON																
GAME IN PLAY								OFF															
GAME STOPPED								ON															
<table border="1"> <thead> <tr> <th>COIN 1</th> <th>1 COIN 1 PLAY</th> <th>2 COIN 1 PLAY</th> </tr> </thead> <tbody> <tr> <td>2</td> <td>1</td> <td>3</td> </tr> <tr> <td>3</td> <td>2</td> <td>4</td> </tr> <tr> <td>4</td> <td>M</td> <td>7</td> </tr> <tr> <td></td> <td>(A)</td> <td>(B)</td> </tr> </tbody> </table>									COIN 1	1 COIN 1 PLAY	2 COIN 1 PLAY	2	1	3	3	2	4	4	M	7		(A)	(B)
COIN 1	1 COIN 1 PLAY	2 COIN 1 PLAY																					
2	1	3																					
3	2	4																					
4	M	7																					
	(A)	(B)																					





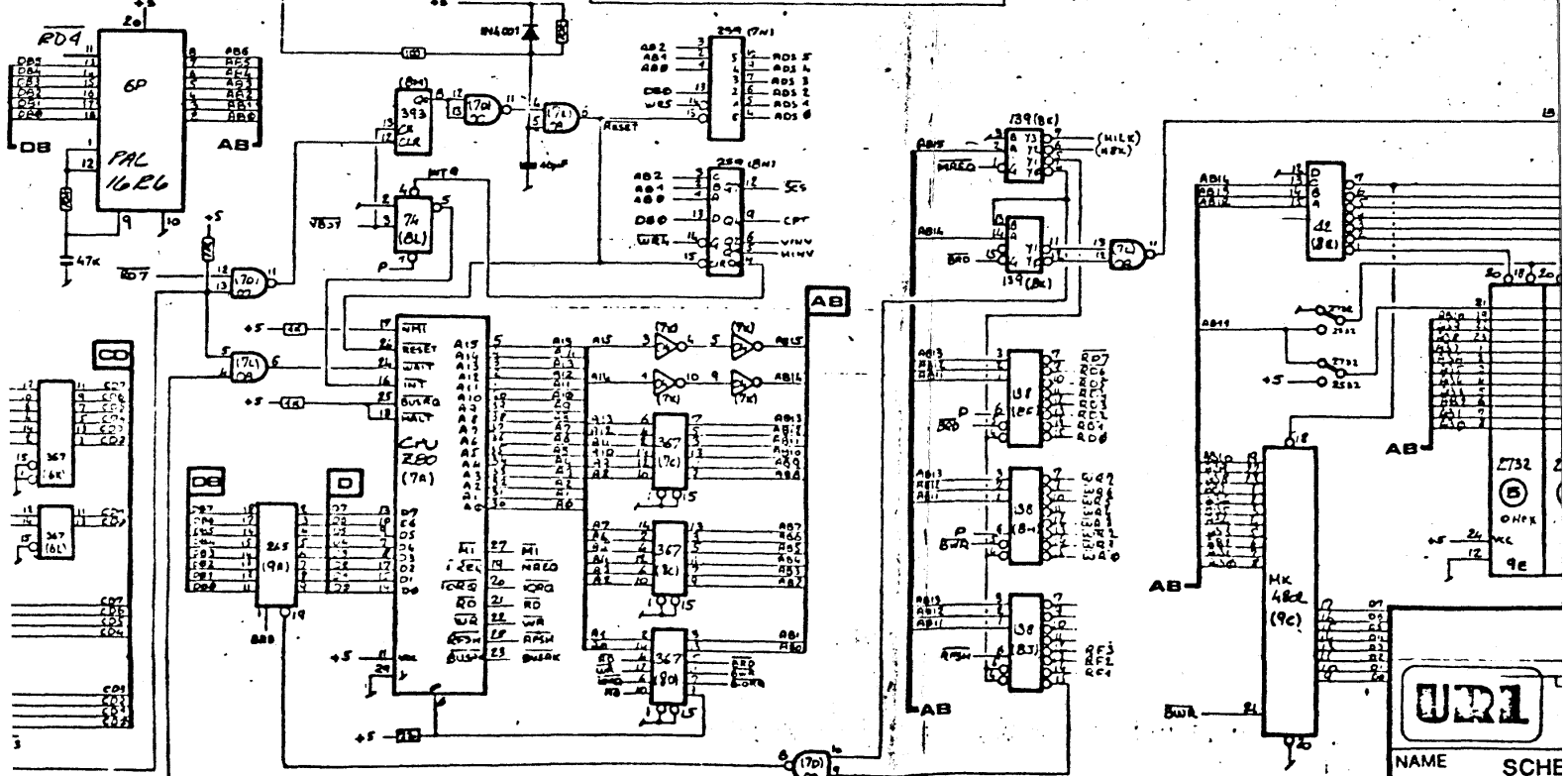
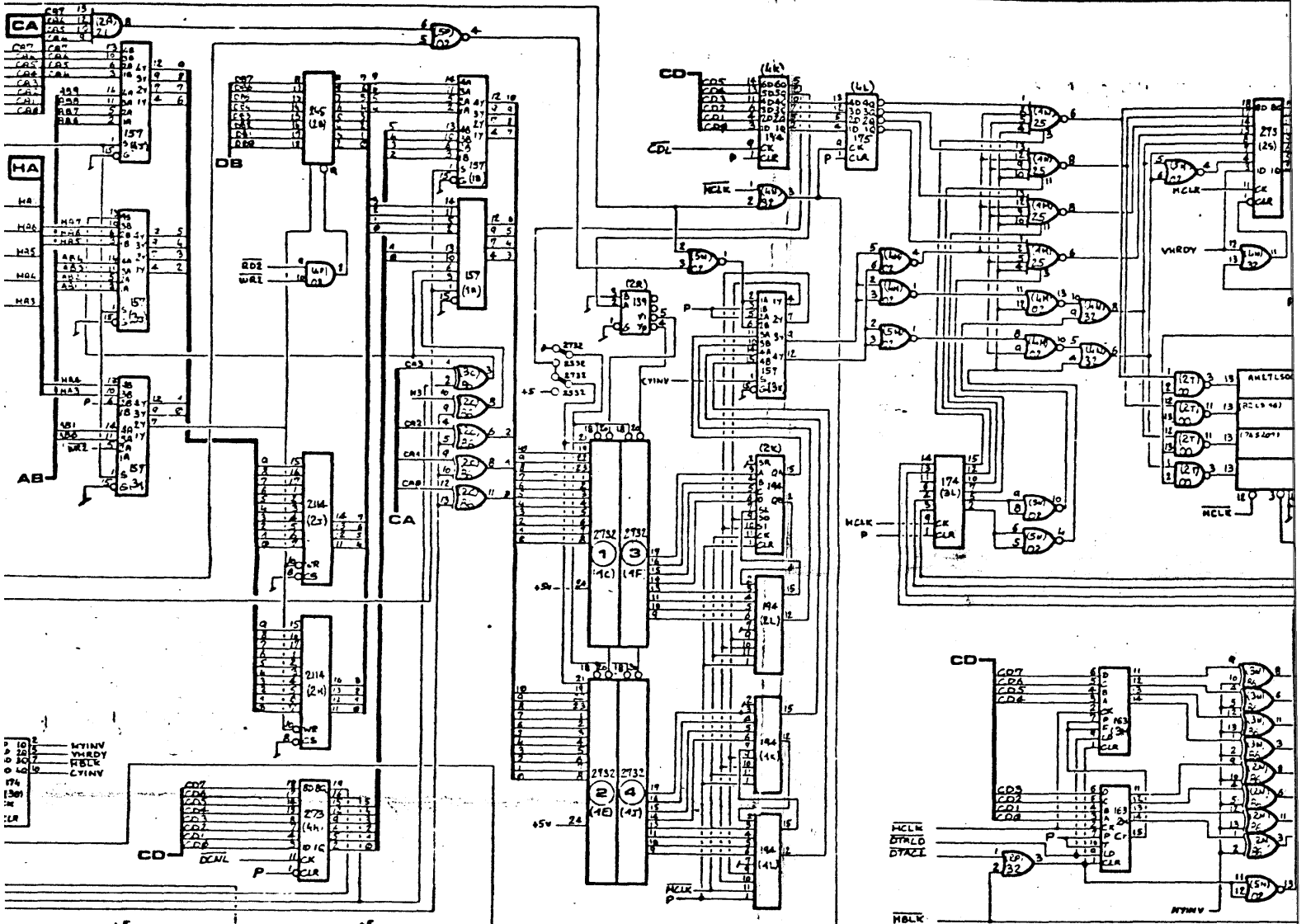
	IN							
	1	2	3	4	5	6	7	8
	A	B	C	D	E	F	G	H
	OFF	OFF						
	ON	OFF						
	OFF	ON						
	ON	ON						
(A)			OFF	OFF				
(B)			ON					
1			OFF	OFF				
2			ON	OFF				
3			OFF	ON				
4			ON	ON				
					OFF			
					ON			
						OFF		
						ON		
COIN 1	PLAY 1	COIN 2	PLAY 2					
...
(A)								
(B)								

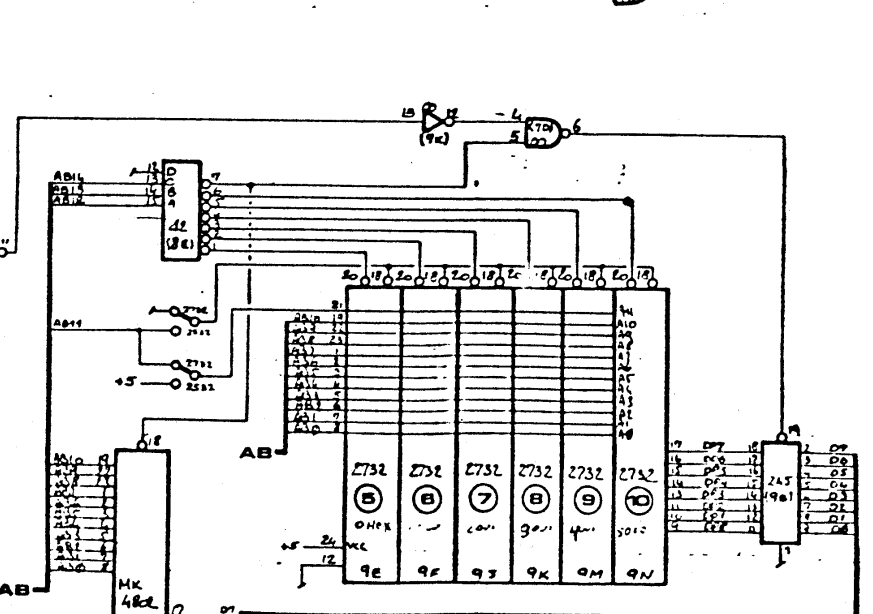
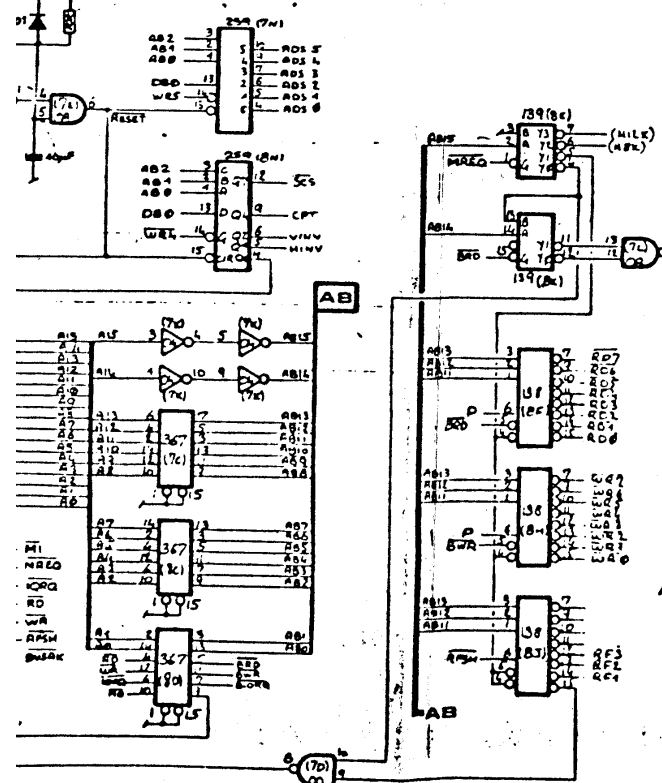
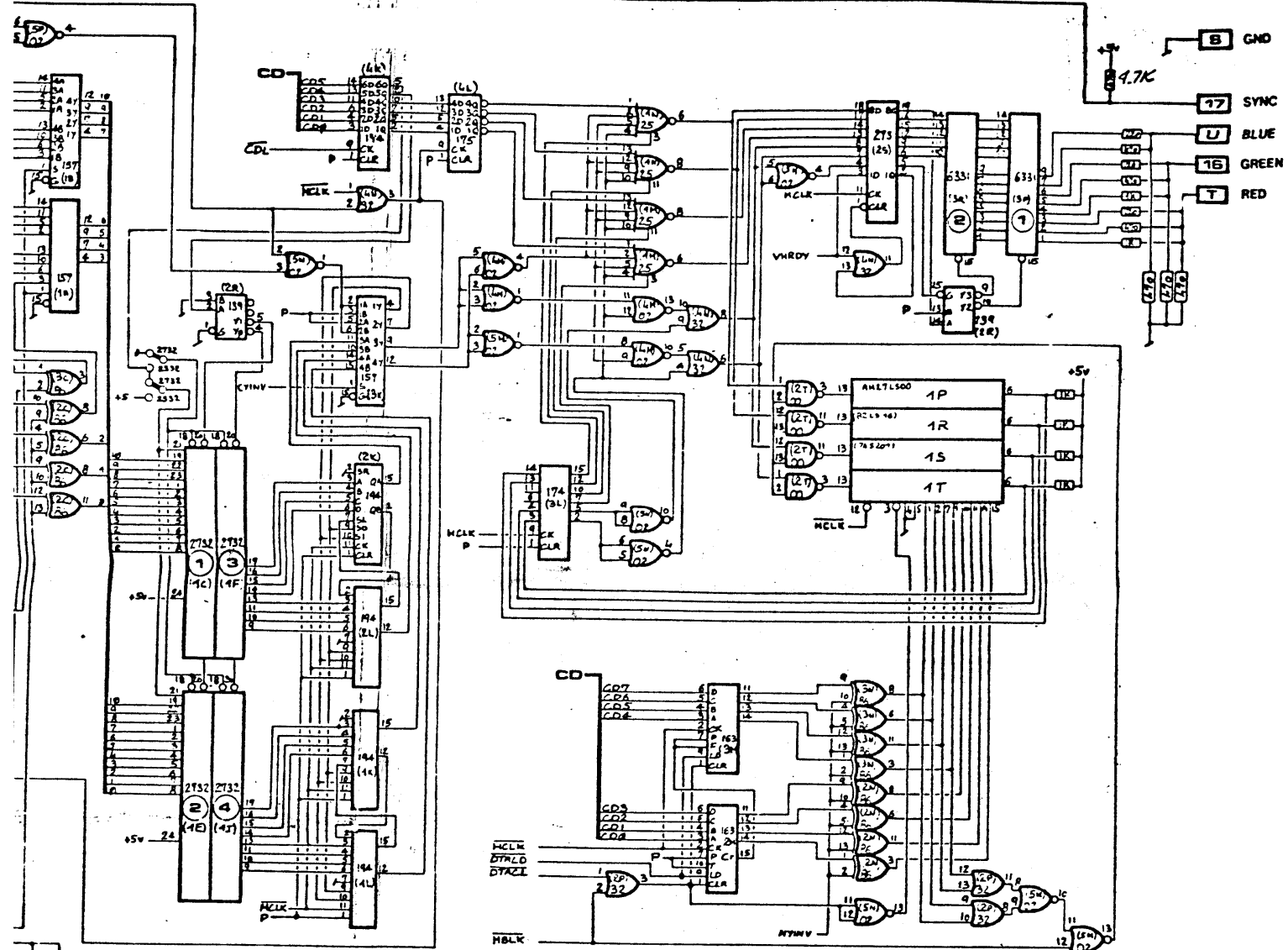


P = PULL UP RESISTOR 1ka.

470pf

CPU WAIT CONTROL





BAGMAN

URI UNIVERSAL RESEARCH LABORATORIES INC
 A SUBSIDIARY OF STERN ELECTRONICS
 700 CHASE AVENUE
 ELK GROVE VILLAGE, ILLINOIS 60007

NAME		SCHEMATIC, DISPLAY & SOUND	
		BOARD ASSEMBLY P.C. BOARD	
DWG	PART NO.	34D-2465-S	
D			REV. A
SIZE	SHEET	1 OF 1	