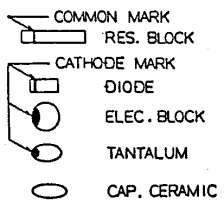
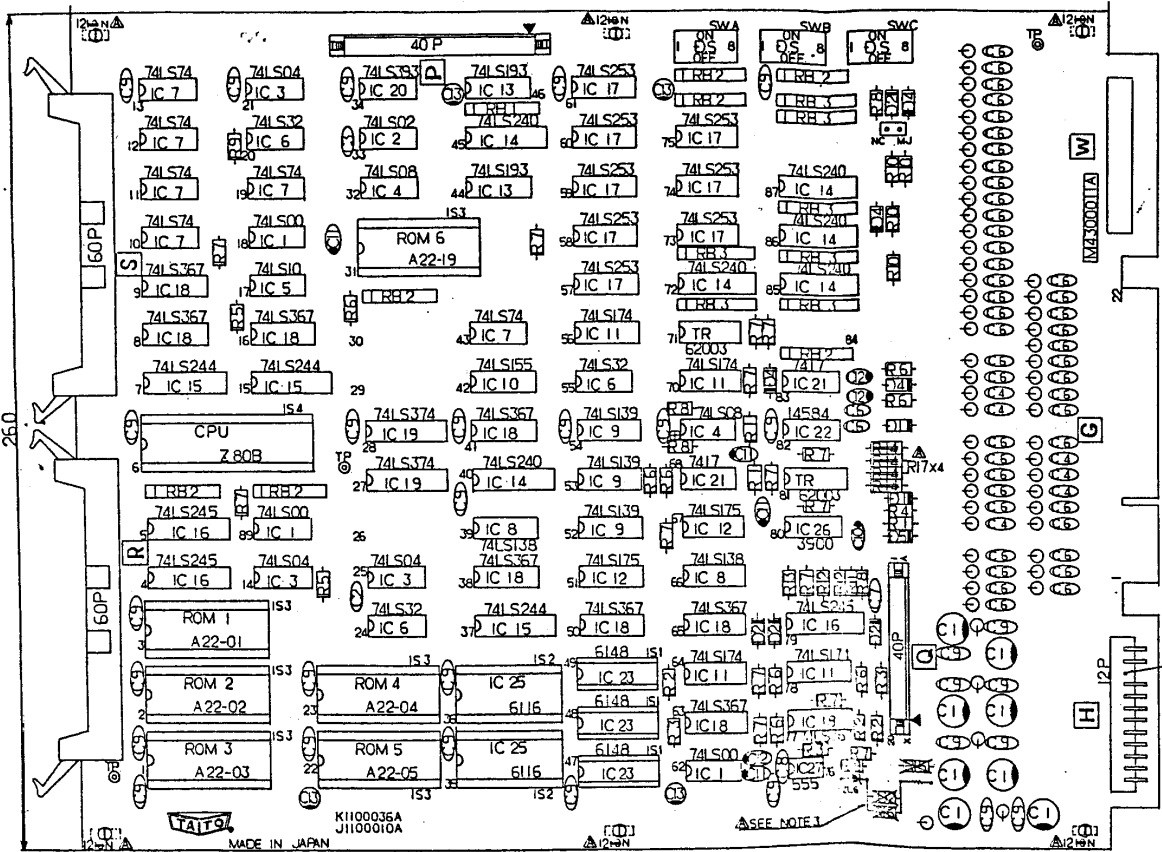
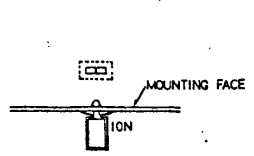


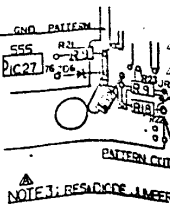
K
J
I
H
G
F
E
D
C
B
A



NOTE 1 SYMBOL MARK



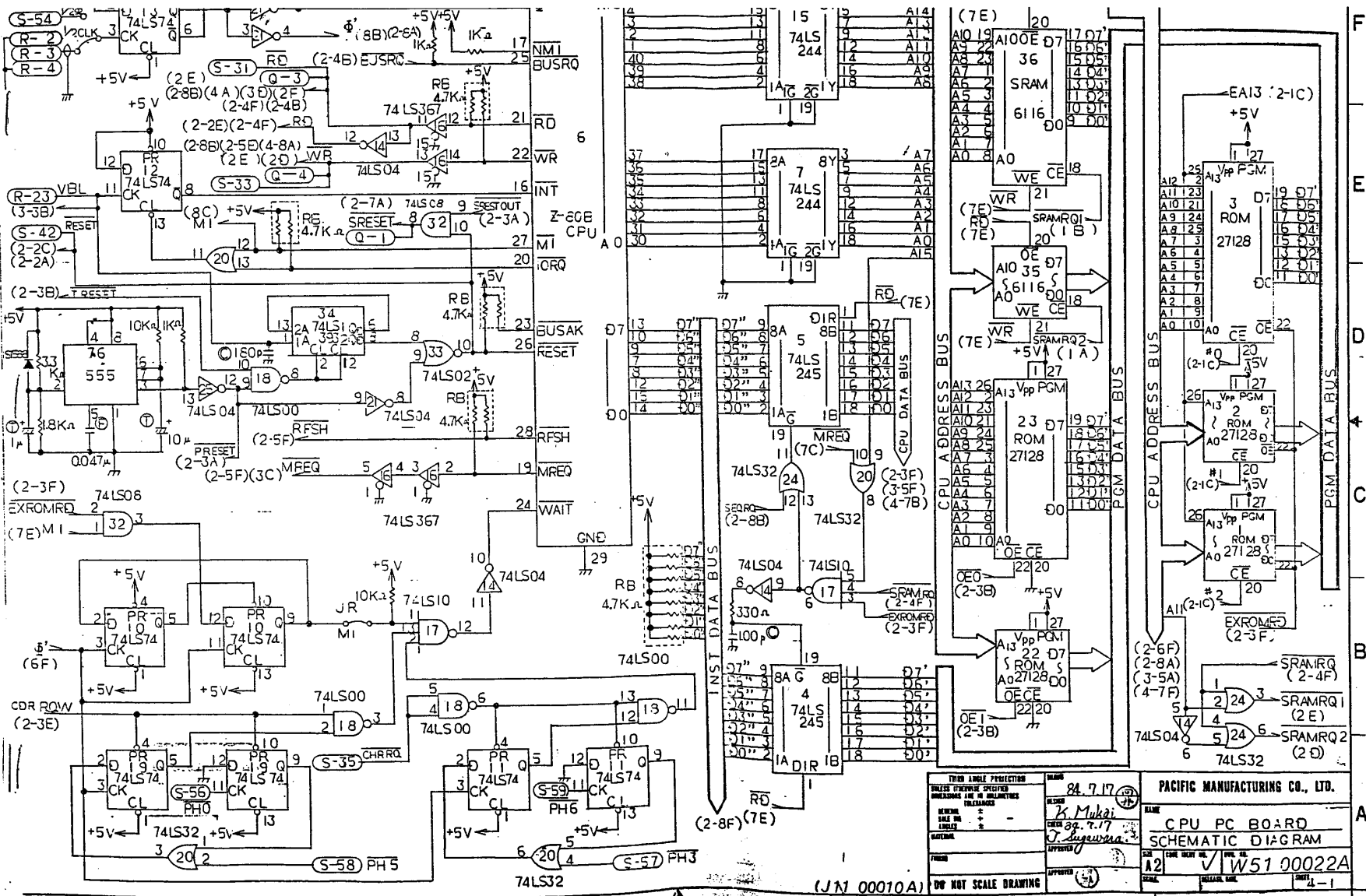
NOTE 2 CIRCUIT BOARD STACKING SPACER



NOTE 3 RESISTOR LINEER

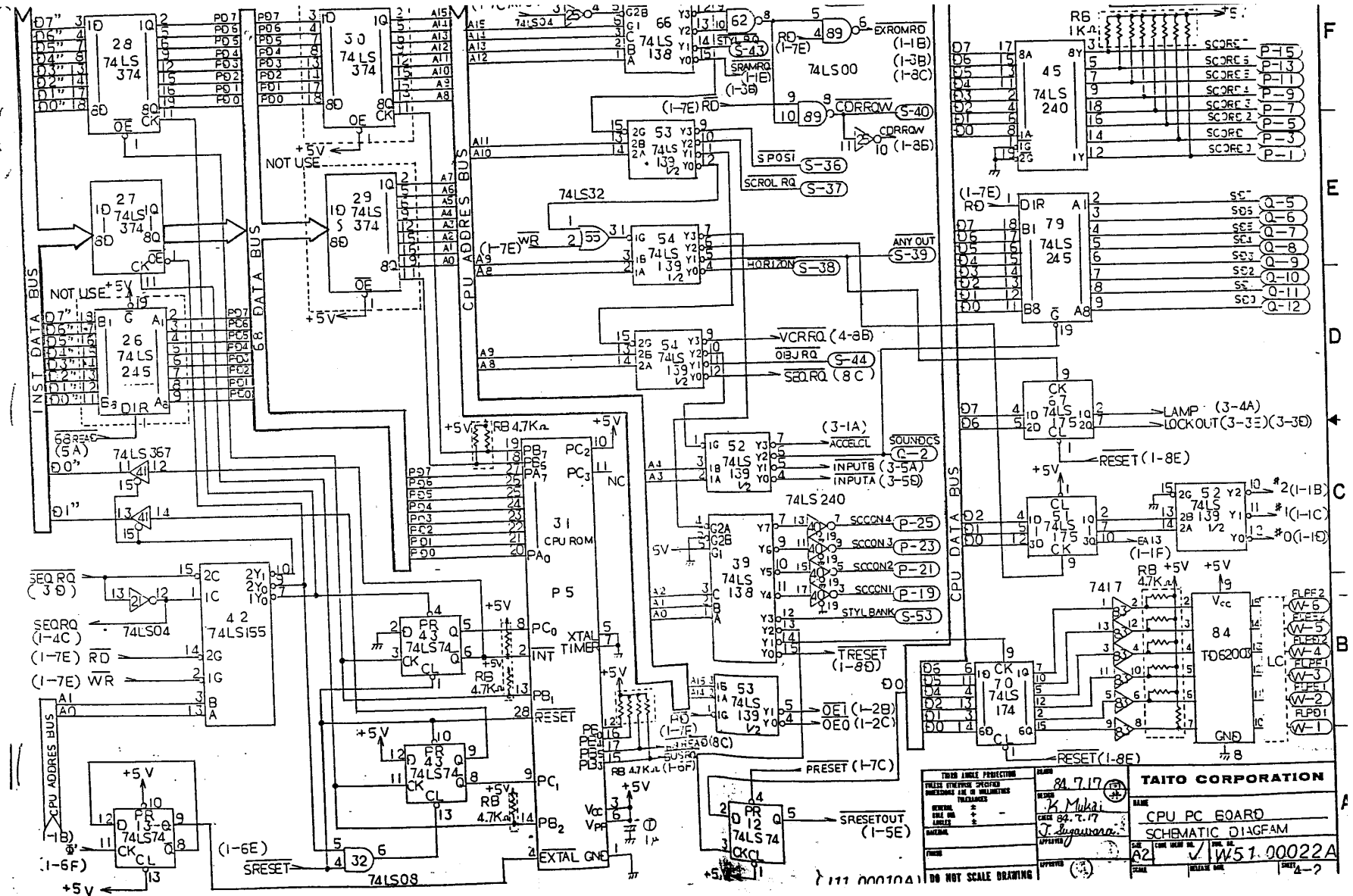
NO.	QTY	DESCRIPTION	UNIT
1	1	IC SOCKET	40P
2	1	IC SOCKET	28P
3	1	IC SOCKET	28P
4	1	IC SOCKET	18P
5	1	ANGLE PIN HEADER	40P
6	1	FLAT PIN HEADER	40P
7	1	POST HEADER	52/2-12

NO.	QTY	DESCRIPTION	UNIT
1	1	DIP SW	DSS-B
2	1	RES. OXIDE	2704WAS&S
3	1	BEADS FILTER	ZBES03S DATA
4	1	P-ROM	A2219 (P5)
5	1	IC	75 (27128)
6	1	IC	08
7	1	IC	02
8	1	P-ROM	A2201 (27128)
9	1	TIMER	555
10	1	OP AMP	3910
11	1	C-RAM	5116
12	1	C-MOS RAM	7308
13	1	C-MOS	6123
14	1	TTI	12134
15	1	IC	74LS93
16	1	IC	74LS174
17	1	IC	74LS138
18	1	IC	74LS160
19	1	IC	74LS161
20	1	IC	74LS162
21	1	IC	74LS163
22	1	IC	74LS164
23	1	IC	74LS165
24	1	IC	74LS166
25	1	IC	74LS167
26	1	IC	74LS168
27	1	IC	74LS169
28	1	IC	74LS170
29	1	IC	74LS171
30	1	IC	74LS172
31	1	IC	74LS173
32	1	IC	74LS174
33	1	IC	74LS175
34	1	IC	74LS176
35	1	IC	74LS177
36	1	IC	74LS178
37	1	IC	74LS179
38	1	IC	74LS180
39	1	IC	74LS181
40	1	IC	74LS182
41	1	IC	74LS183
42	1	IC	74LS184
43	1	IC	74LS185
44	1	IC	74LS186
45	1	IC	74LS187
46	1	IC	74LS188
47	1	IC	74LS189
48	1	IC	74LS190
49	1	IC	74LS191
50	1	IC	74LS192
51	1	IC	74LS193
52	1	IC	74LS194
53	1	IC	74LS195
54	1	IC	74LS196
55	1	IC	74LS197
56	1	IC	74LS198
57	1	IC	74LS199
58	1	IC	74LS200
59	1	IC	74LS201
60	1	IC	74LS202
61	1	IC	74LS203
62	1	IC	74LS204
63	1	IC	74LS205
64	1	IC	74LS206
65	1	IC	74LS207
66	1	IC	74LS208
67	1	IC	74LS209
68	1	IC	74LS210
69	1	IC	74LS211
70	1	IC	74LS212
71	1	IC	74LS213
72	1	IC	74LS214
73	1	IC	74LS215
74	1	IC	74LS216
75	1	IC	74LS217
76	1	IC	74LS218
77	1	IC	74LS219
78	1	IC	74LS220
79	1	IC	74LS221
80	1	IC	74LS222
81	1	IC	74LS223
82	1	IC	74LS224
83	1	IC	74LS225
84	1	IC	74LS226
85	1	IC	74LS227
86	1	IC	74LS228
87	1	IC	74LS229
88	1	IC	74LS230
89	1	IC	74LS231
90	1	IC	74LS232
91	1	IC	74LS233
92	1	IC	74LS234
93	1	IC	74LS235
94	1	IC	74LS236
95	1	IC	74LS237
96	1	IC	74LS238
97	1	IC	74LS239
98	1	IC	74LS240
99	1	IC	74LS241
100	1	IC	74LS242
101	1	IC	74LS243
102	1	IC	74LS244
103	1	IC	74LS245
104	1	IC	74LS246
105	1	IC	74LS247
106	1	IC	74LS248
107	1	IC	74LS249
108	1	IC	74LS250
109	1	IC	74LS251
110	1	IC	74LS252
111	1	IC	74LS253
112	1	IC	74LS254
113	1	IC	74LS255
114	1	IC	74LS256
115	1	IC	74LS257
116	1	IC	74LS258
117	1	IC	74LS259
118	1	IC	74LS260
119	1	IC	74LS261
120	1	IC	74LS262
121	1	IC	74LS263
122	1	IC	74LS264
123	1	IC	74LS265
124	1	IC	74LS266
125	1	IC	74LS267
126	1	IC	74LS268
127	1	IC	74LS269
128	1	IC	74LS270
129	1	IC	74LS271
130	1	IC	74LS272
131	1	IC	74LS273
132	1	IC	74LS274
133	1	IC	74LS275
134	1	IC	74LS276
135	1	IC	74LS277
136	1	IC	74LS278
137	1	IC	74LS279
138	1	IC	74LS280
139	1	IC	74LS281
140	1	IC	74LS282
141	1	IC	74LS283
142	1	IC	74LS284
143	1	IC	74LS285
144	1	IC	74LS286
145	1	IC	74LS287
146	1	IC	74LS288
147	1	IC	74LS289
148	1	IC	74LS290
149	1	IC	74LS291
150	1	IC	74LS292
151	1	IC	74LS293
152	1	IC	74LS294
153	1	IC	74LS295
154	1	IC	74LS296
155	1	IC	74LS297
156	1	IC	74LS298
157	1	IC	74LS299
158	1	IC	74LS300
159	1	IC	74LS301
160	1	IC	74LS302
161	1	IC	74LS303
162	1	IC	74LS304
163	1	IC	74LS305
164	1	IC	74LS306
165	1	IC	74LS307
166	1	IC	74LS308
167	1	IC	74LS309
168	1	IC	74LS310
169	1	IC	74LS311
170	1	IC	74LS312
171	1	IC	74LS313
172	1	IC	74LS314
173	1	IC	74LS315
174	1	IC	74LS316
175	1	IC	74LS317
176	1	IC	74LS318
177	1	IC	74LS319
178	1	IC	74LS320
179	1	IC	74LS321
180	1	IC	74LS322
181	1	IC	74LS323
182	1	IC	74LS324
183	1	IC	74LS325
184	1	IC	74LS326
185	1	IC	74LS327
186	1	IC	74LS328
187	1	IC	74LS329
188	1	IC	74LS330
189	1	IC	74LS331
190	1	IC	74LS332
191	1	IC	74LS333
192	1	IC	74LS334
193	1	IC	74LS335
194	1	IC	74LS336
195	1	IC	74LS337
196	1	IC	74LS338
197	1	IC	74LS339
198	1	IC	74LS340
199	1	IC	74LS341
200	1	IC	74LS342
201	1	IC	74LS343
202	1	IC	74LS344
203	1	IC	74LS345
204	1	IC	74LS346
205	1	IC	74LS347
206	1	IC	74LS348
207	1	IC	74LS349
208	1	IC	74LS350
209	1	IC	74LS351
210	1	IC	74LS352
211	1	IC	74LS353
212	1	IC	74LS354
213	1	IC	74LS355
214	1	IC	74LS356
215	1	IC	74LS357
216	1	IC	74LS358
217	1	IC	74LS359
218	1	IC	74LS360
219	1	IC	74LS361
220	1	IC	74LS362
221	1	IC	74LS363
222	1	IC	74LS364
223	1	IC	74LS365
224	1	IC	74LS366
225	1	IC	74LS367
226	1	IC	74LS368
227	1	IC	74LS369
228	1	IC	74LS370
229	1	IC	74LS371
230	1	IC	74LS372
231	1	IC	74LS373
232	1	IC	74LS374
233	1	IC	74LS375
234	1	IC	74LS376
235	1	IC	74LS377
236	1	IC	74LS378
237	1	IC	74LS379
238	1	IC	74LS380
239	1	IC	74LS381
240	1	IC	74LS382
241	1	IC	74LS383
242	1	IC	74LS384
243	1	IC	74LS385
244	1	IC	74LS386
245	1	IC	74LS387
246	1	IC	74LS388
247	1	IC	74LS389
248	1	IC	74LS390
249	1	IC	74LS391
250	1	IC	74LS392
251	1	IC	74LS393
252	1	IC	74LS394
253	1	IC	74LS395
254	1	IC	74LS396
255	1	IC	74LS397
256	1	IC	74LS398
257	1	IC	74LS399
258	1	IC	74LS400
259	1	IC	74LS401
260	1	IC	74LS402
261	1	IC	74LS403
262	1	IC	74LS404
263	1	IC	74LS405
264	1	IC	74LS406
265	1	IC	74LS407
266	1	IC	74LS408
267	1	IC	74LS409
268	1	IC	74LS410
269	1	IC	74LS411
270	1	IC	74LS412
271	1	IC	74LS413
272	1	IC	74LS414
273	1	IC	74LS415
274	1	IC	74LS416
275	1	IC	74LS417
276	1	IC	74LS418
277	1	IC	74LS419
278	1	IC	74LS420
279	1	IC	74LS421
280	1	IC	74LS422
281	1	IC	74LS423
282	1	IC	74LS424
283	1	IC	74LS425
284	1	IC	74LS426
285	1	IC	74LS427
286	1	IC	74LS428
287	1	IC	74LS429
288	1	IC	74LS430
289	1	IC	74LS431
290	1	IC	74LS432
291	1	IC	74LS433
292	1	IC	74LS434
293	1	IC	74LS435
294	1	IC	74LS436
295	1	IC	74LS437
296	1	IC	74LS438
297	1	IC	74LS439
298	1	IC	74LS440
299	1	IC	74LS441
300	1	IC	74LS442
301	1	IC	74LS443
302	1	IC	74LS444
303	1	IC	74LS445
304	1	IC	74LS446
305	1	IC	74LS447
306	1	IC	74LS448
307	1	IC	74LS449
308	1	IC	74LS450
309	1	IC	74LS451
310	1	IC	74LS452
311	1	IC	74LS453
312	1	IC	74LS454
313	1	IC	74LS455
314	1	IC	74LS456
315	1	IC	74LS457
316	1	IC	74LS458
317	1	IC	74LS459
318	1	IC	74LS460
319	1	IC	74LS461
320	1	IC	74LS462
321	1	IC	74LS463
322	1	IC	74LS4



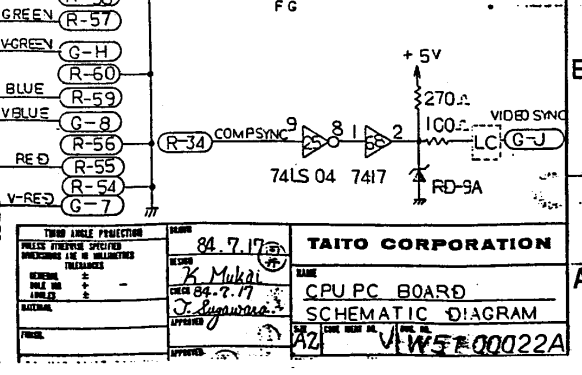
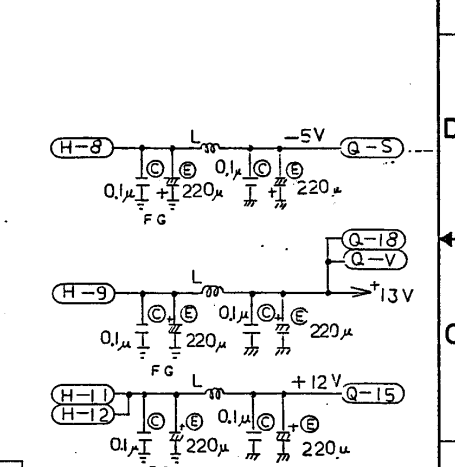
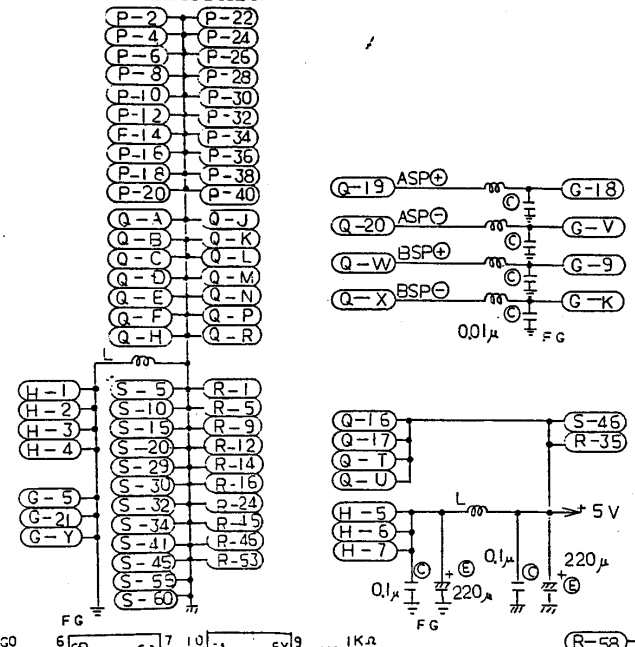
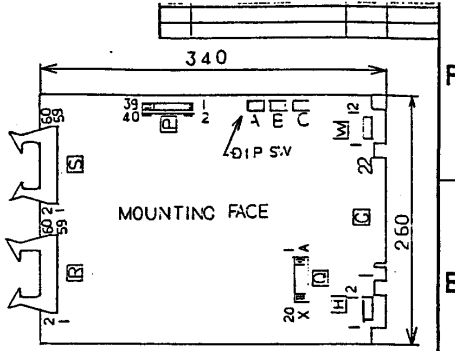
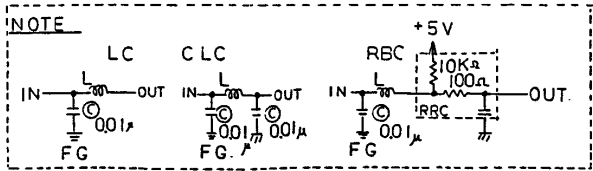
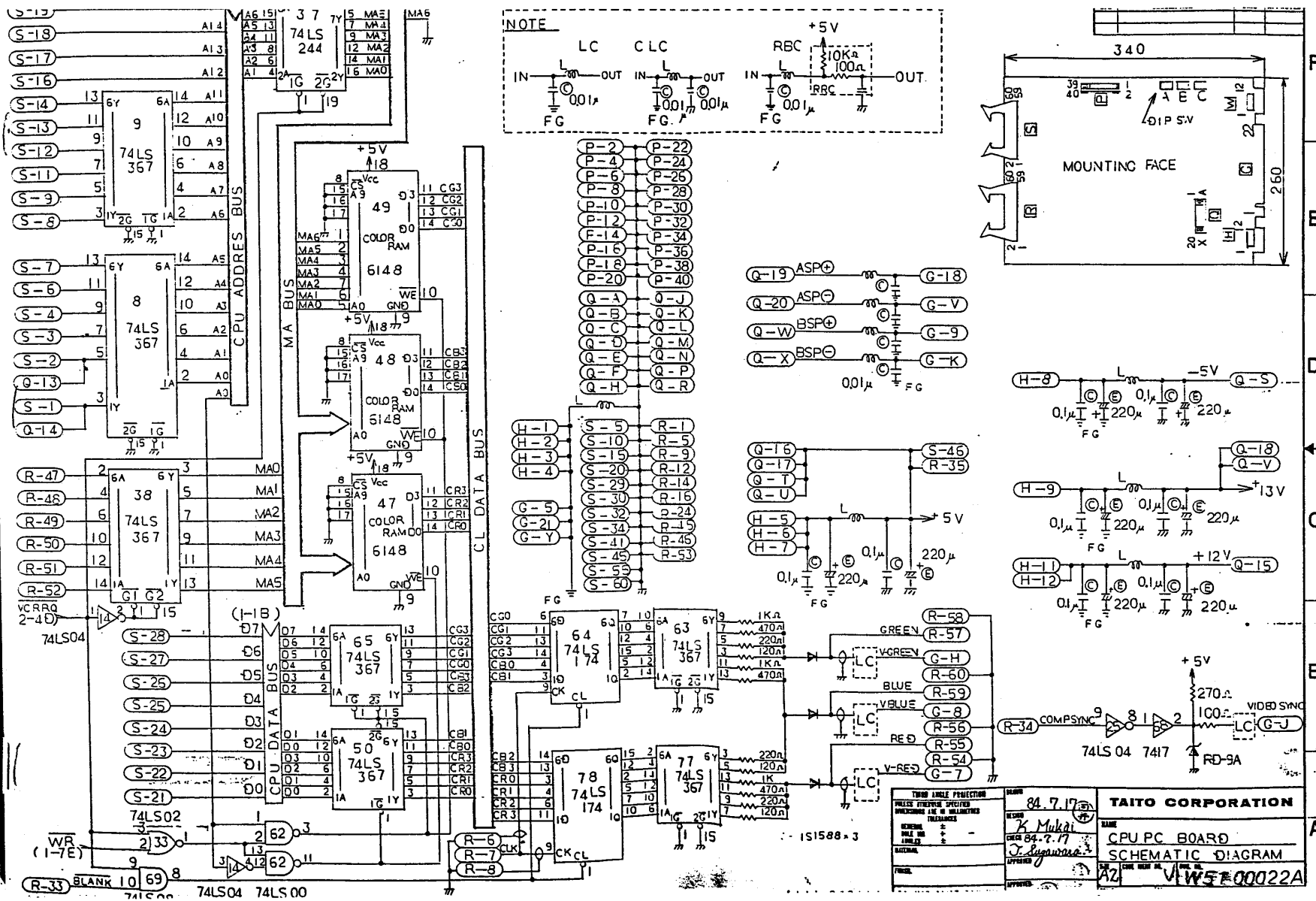
TRIM & SOLDER PROTECTION ALL PARTS MUST BE PROTECTED UNLESS OTHERWISE SPECIFIED DIMENSIONS ARE IN MILLIMETERS TOLERANCES FINISH DATE IN CHECKED BY APPROVED BY DATE		84.7.17 K. Mukai 30.7.77 J. Sugawara	PACIFIC MANUFACTURING CO., LTD. CPU PC BOARD SCHEMATIC DIAGRAM WORK NO. W51 00022A DRAWING NO. 24-1
------------------------------------------------------------------------------------------------------------------------------------------------------------------------------------------------	--	-----------------------------------------------	-----------------------------------------------------------------------------------------------------------------

(JN 00010A) DO NOT SCALE DRAWING

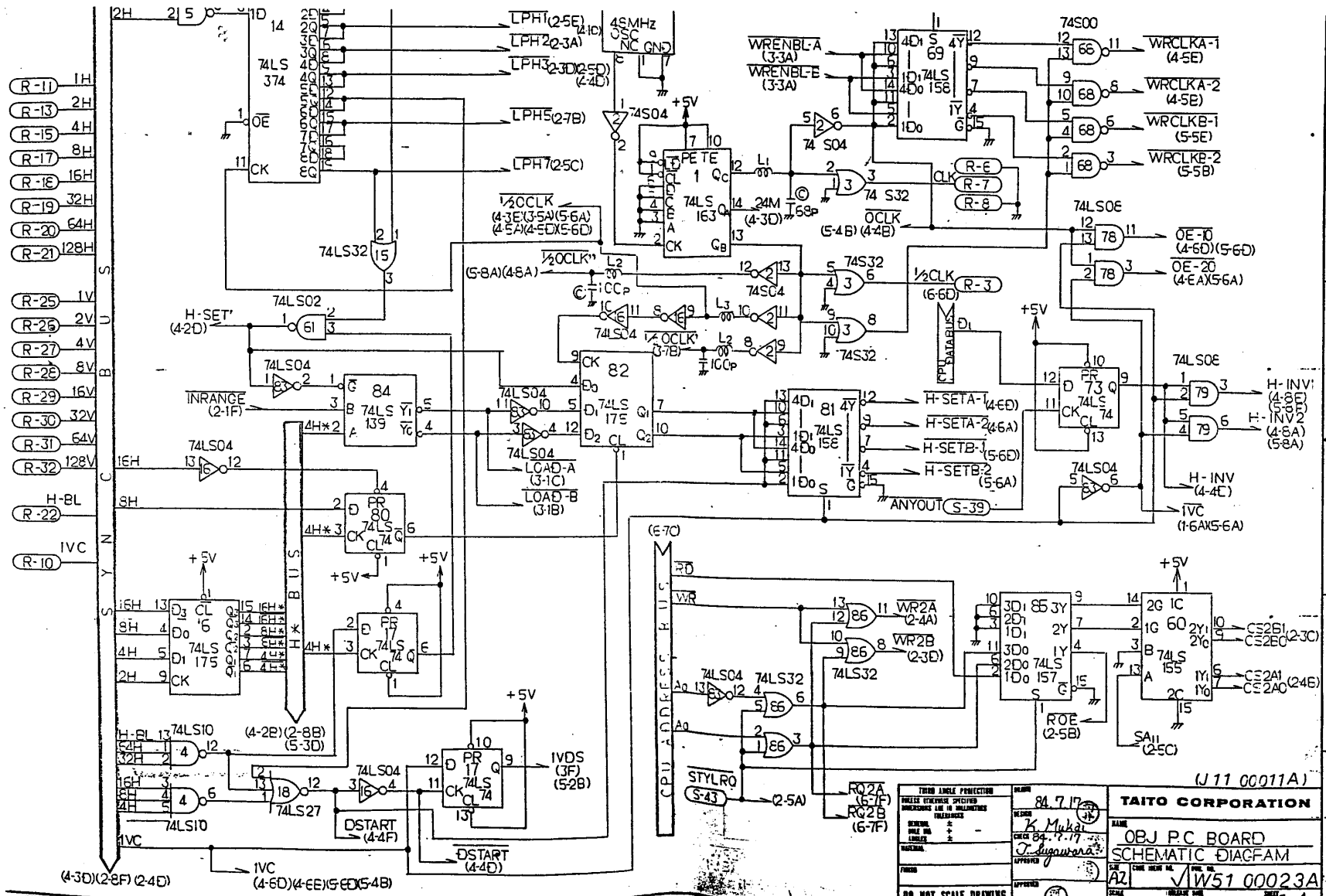


TAITO CORPORATION	
DATE: 82.7.17	NAME: CPU PC BOARD
DESIGNER: K. Mura	SCHEMATIC DIAGRAM
CHECK: 82.7.17	DATE: 82.7.17
DRAWN: T. Sugawara	APPROVED: [Signature]
FIG. NO: A2	W51.00022A

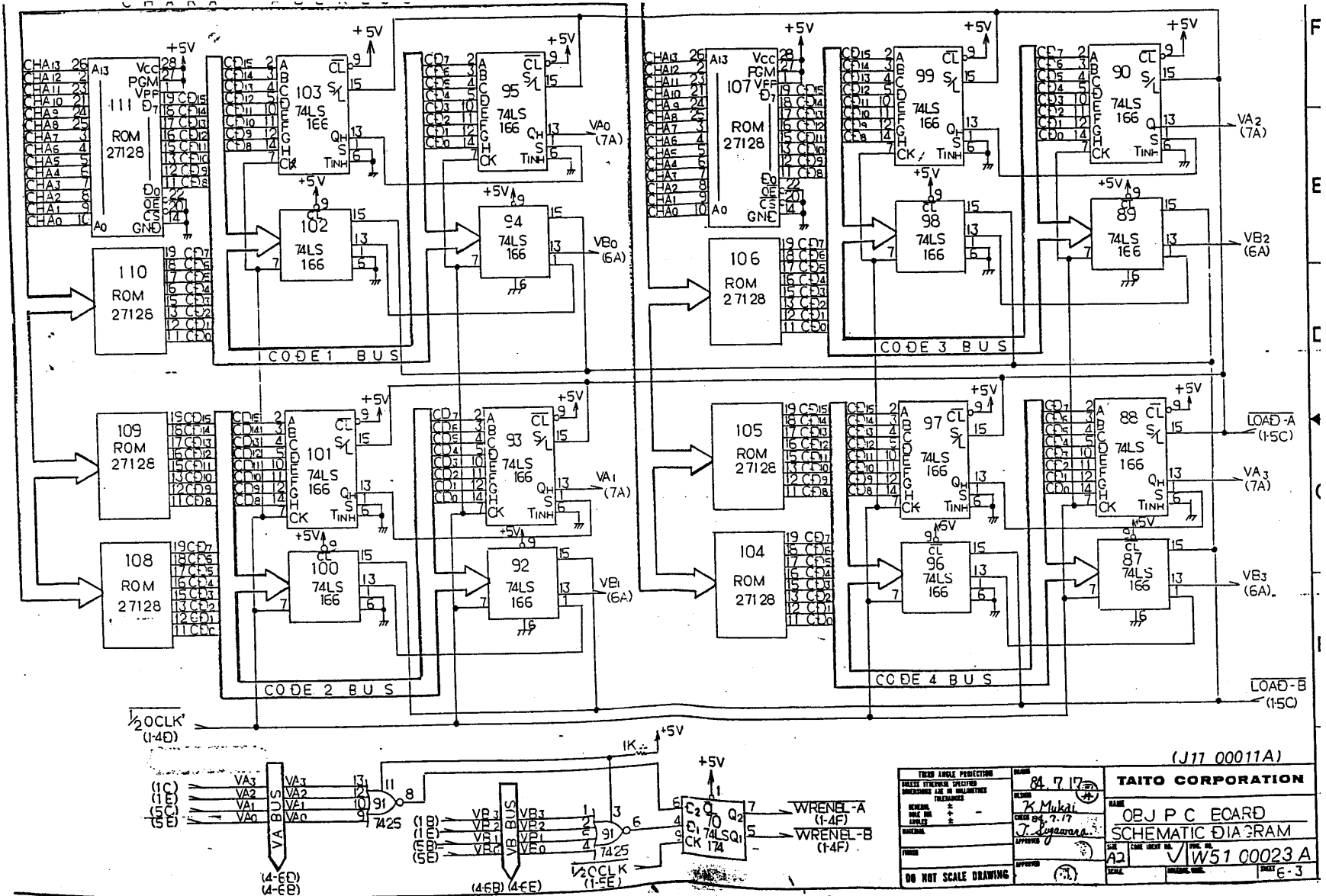
111 000101 DO NOT SCALE DRAWING



<p>THIRD ANGLE PROJECTION</p> <p>UNLESS OTHERWISE SPECIFIED DIMENSIONS ARE IN MILLIMETERS</p> <p>TOLERANCES</p> <p>FRACTIONS DECIMALS</p> <p>FRAMES</p>	<p>DATE 84.7.17</p> <p>DESIGNER K. Mukai</p> <p>CHECK 84.7.17</p> <p>APPROVED J. Sugawara</p>	<p>TAITO CORPORATION</p> <p>NAME CPU PC BOARD</p> <p>SCHEMATIC DIAGRAM</p> <p>NO. 1155-00022A</p>
---------------------------------------------------------------------------------------------------------------------------------------------------------	-----------------------------------------------------------------------------------------------	---------------------------------------------------------------------------------------------------

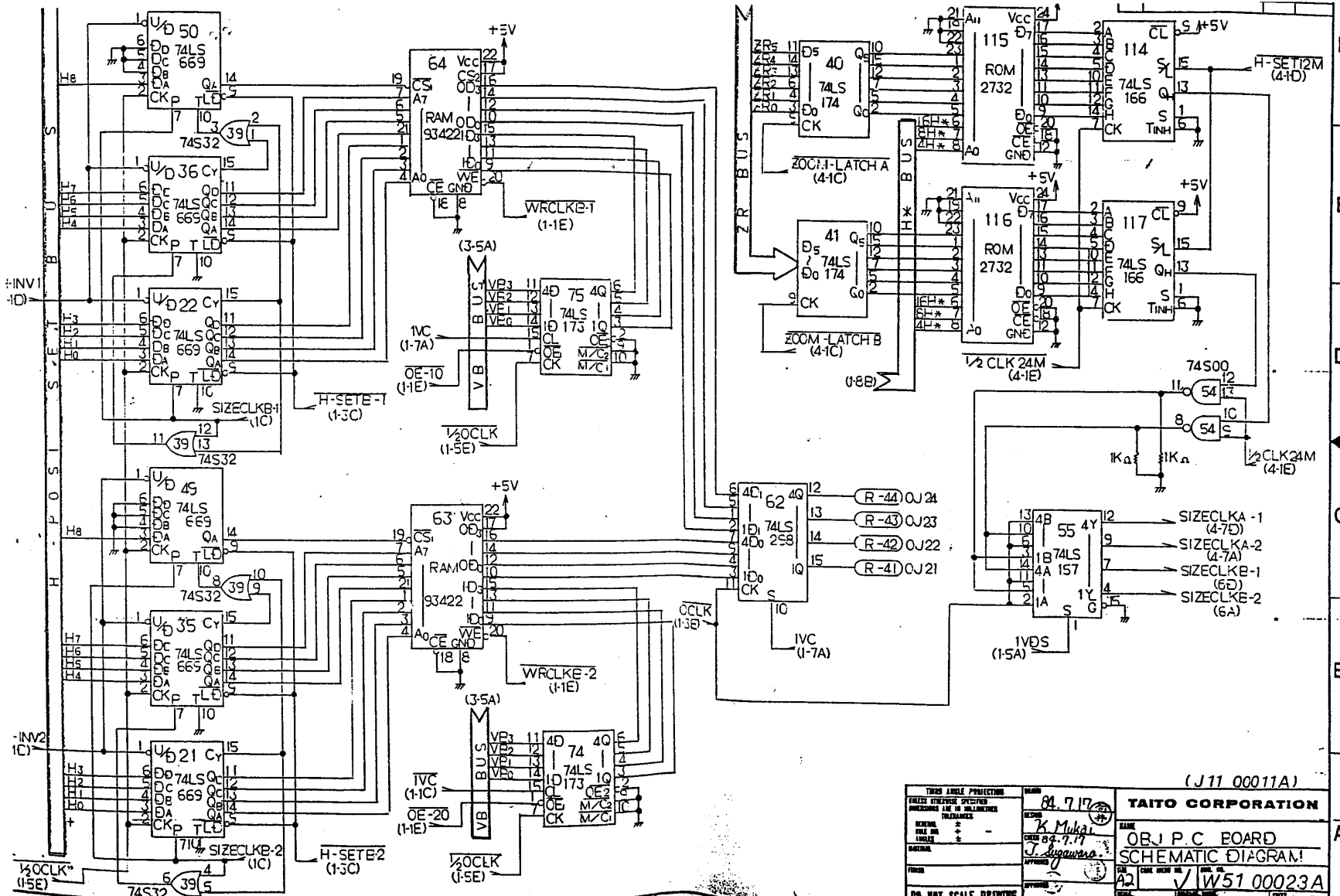


THIRD ANGLE PROJECTION DIMENSIONS IN MILLIMETERS UNLESS OTHERWISE SPECIFIED		NAME: 84.7.17 CHECKED BY: K. Maki DATE: 84.7.17 APPROVED BY: T. Sugawara	U11 0011A TAITO CORPORATION OBJ P.C. BOARD SCHEMATIC DIAGRAM FILE NO: A2 DRAWING NO: W51 00023A SHEET: 6-1
DO NOT SCALE DRAWING		SCALE:	DATE:



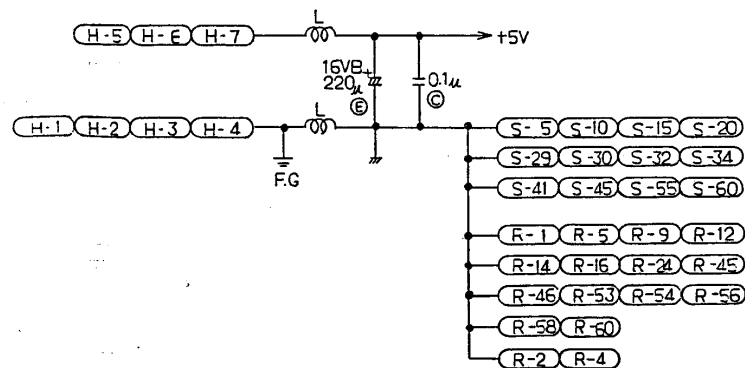
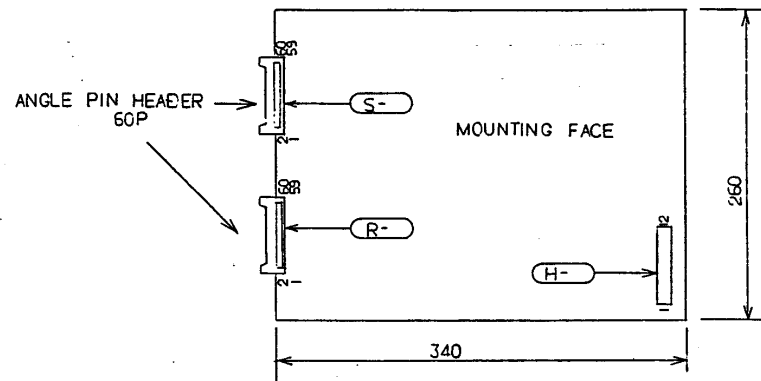
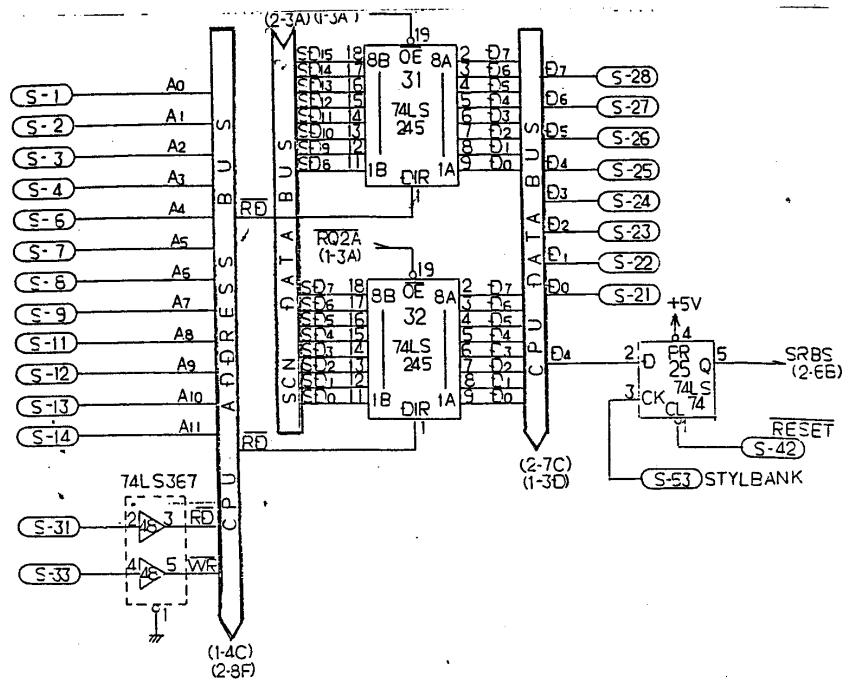
TWO ANGLE PROJECTION		DATE	84.7.17	TAITO CORPORATION	
UNLESS OTHERWISE SPECIFIED DIMENSIONS ARE IN MILLIMETRES TOLERANCES		DESIGN	K. Mukai		
GENERAL	±	CHECKED BY	T. Yamamoto	NAME	
ANGLE	±	APPROVED		OBJ P C BOARD	
DO NOT SCALE DRAWING				SCALE	1/50
				DATE	84.7.17
				FIG. NO.	W51 00023 A
				SHEET	E-3

(J17 00011A)



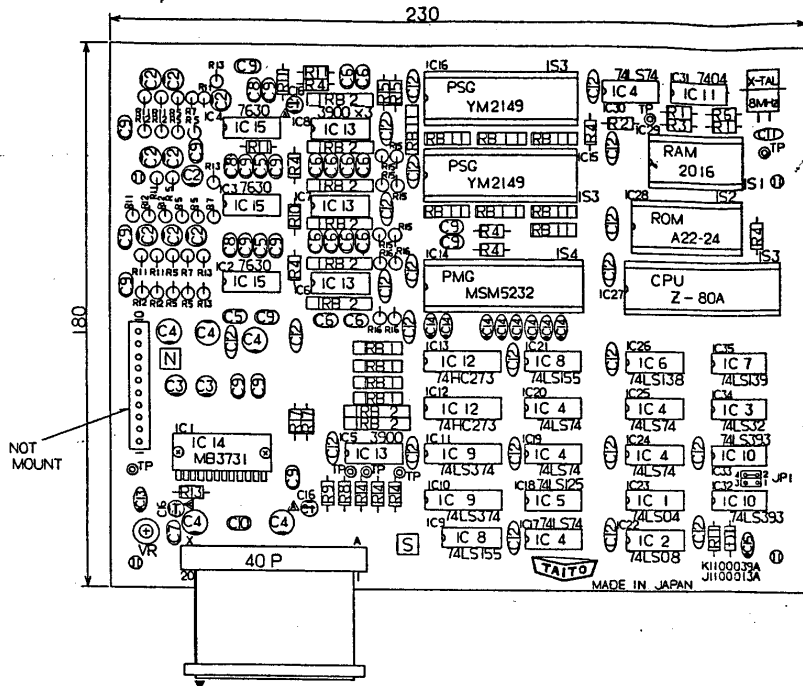
(J11 00011A)

THIRD ANGLE PROJECTION TAKEN FROM THE SPECIFIED DIRECTIONS AND IN UNLESS OTHERWISE SPECIFIED	DATE: 81.7.17 DRAWN: K. Mukai CHECKED: J. Agawana APPROVED:	TAITO CORPORATION NAME: ORJ.P.C. BOARD SCHEMATIC DIAGRAM! DRAWING NO: W51 00023A SHEET: 6-5
	EXTENSION: - PART NO: - MODEL: - FORM: - DO NOT SCALE DRAWING	



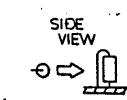
THIRD ANGLE PROJECTION	DATE
DRAWN BY	84.7.17
CHECKED BY	K. Mukai
APPROVED BY	J. Sugawara

(J11 00011A)	
TAITO CORPORATION	
NAME	
JBJ P.C. BOARD	
SCHEMATIC DIAGRAM	
DATE	84.7.17
APPVED BY	V/W-51 00023A

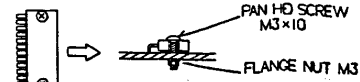


- RES. CARBON
- COMMON MARK
- RES. BLOCK
- CATHODE MARK
- DIODE
- ELEC. BLOCK
- TANT. DIP
- CAP. FILM
- CAP. CERAMIC

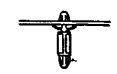
NOTE1. SYMBOOL



HOW TO MOUNT
NOTE2. RES. CARBON



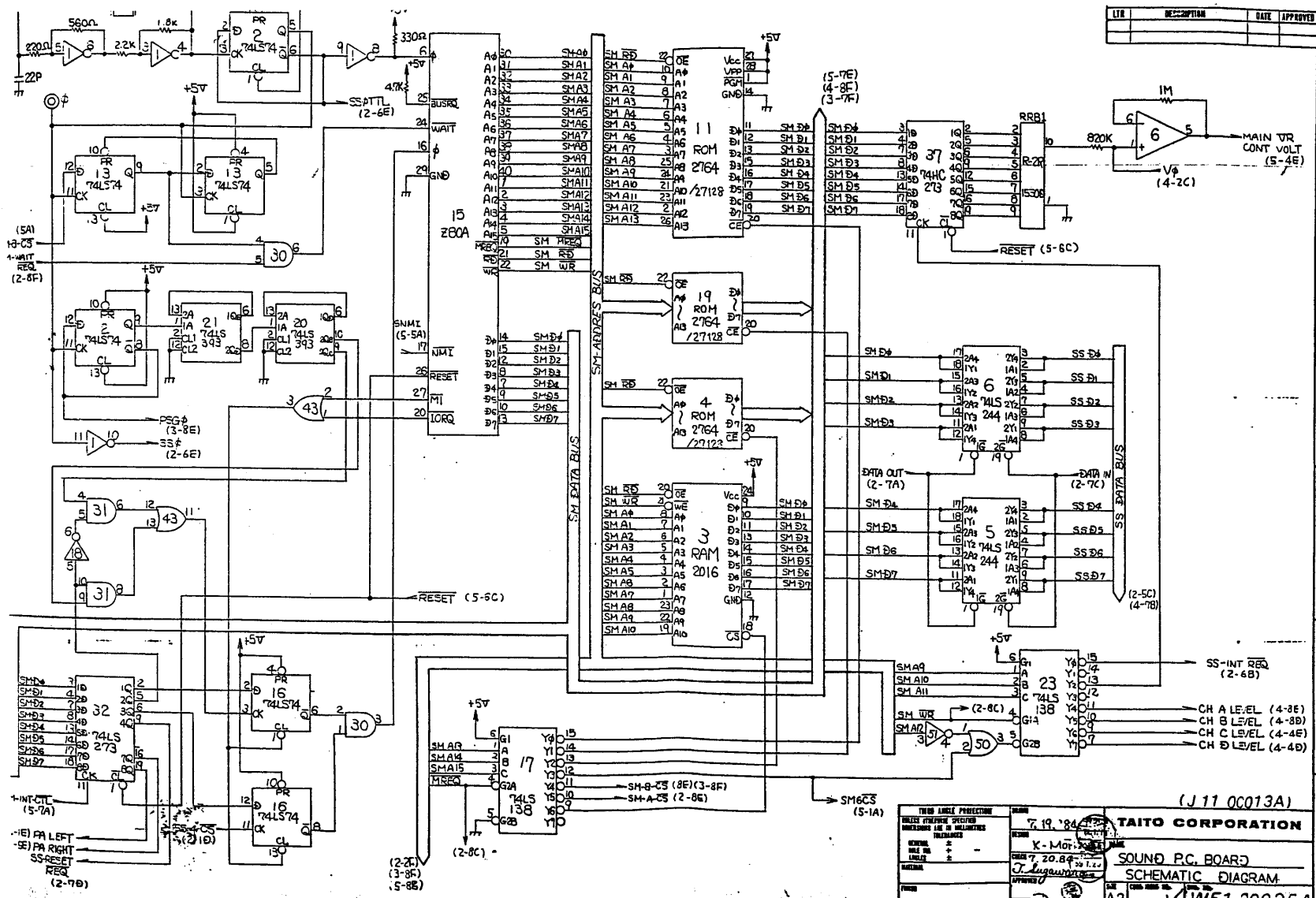
NOTE3. MB3731



NOTE4. LCB

NO.	SYMBOL	DESCRIPTION	QTY	REMARKS
60	IOE900072BA	LOCKING SUPPORT ICH-0	4	
78	AOE.50000	BA FLAT HARNESS 40P L=70	1	
77	IP.0600040A	TEST POINT CHIP L=7.8	5	
75	IS4C.0550094A	IC SOCKET 42P	1	
73	IS4C.0550090A	IC SOCKET 40P	1	
72	IS2C.0550080A	IC SOCKET 28P	1	
71	IS1C.0550072A	IC SOCKET 24P	1	
69	ROE2001153A	P-ROM A22-24 (21/28)	1	
68	ICSE1722711A	THERMISTOR TA7530	1	
65	ICSE172008A	MSME232	1	
64	P2600005A	FLANGE NUT M4x3	2	
63	P0600023A	PAN HD SCREW M3x10	2	
62	ICSE172040A	POWER AMP M3301	1	
61	ICSE172040A	POWER AMP M3301	1	
60	IME10X0019A	S-RAM 2016	4	
59	ICSE172082014E	CPU Z-80A 7-80A	1	
58	IC2B0782273A	C-MOS 74HC273	2	
56	IC1B03X0004A	TTL IC 7404	1	
55	IC1B03X0034A	TTL IC 74LS13	2	
54	IC1B03X0037A	TTL IC 74LS17	2	
53	IC1B03X0037A	TTL IC 74LS17	2	
52	IC1B03X0039A	TTL IC 74LS19	2	
51	IC1B03X0038A	TTL IC 74LS18	1	
50	IC1B03X0035A	TTL IC 74LS15	1	
49	IC1B03X0032A	TTL IC 74LS12	1	
48	IC1B03X0032A	TTL IC 74LS12	1	
47	IC1B03X0008A	TTL IC 74LS08	1	
46	IC1B03X0004A	TTL IC 74LS04	1	
44	IOE9000072BX-1A1	BMHZ	1	
43	IOE9000072BX-1A1	BMHZ	1	
42	IOE9000072BX-1A1	BMHZ	1	
41	IOE9000072BX-1A1	BMHZ	1	
40	IOE9000072BX-1A1	BMHZ	1	
39	IOE9000072BX-1A1	BMHZ	1	
38	IOE9000072BX-1A1	BMHZ	1	
37	IOE9000072BX-1A1	BMHZ	1	
36	IOE9000072BX-1A1	BMHZ	1	
35	IOE9000072BX-1A1	BMHZ	1	
34	IOE9000072BX-1A1	BMHZ	1	
33	IOE9000072BX-1A1	BMHZ	1	
32	IOE9000072BX-1A1	BMHZ	1	
31	IOE9000072BX-1A1	BMHZ	1	
30	IOE9000072BX-1A1	BMHZ	1	
29	IOE9000072BX-1A1	BMHZ	1	
28	IOE9000072BX-1A1	BMHZ	1	
27	IOE9000072BX-1A1	BMHZ	1	
26	IOE9000072BX-1A1	BMHZ	1	
25	IOE9000072BX-1A1	BMHZ	1	
24	IOE9000072BX-1A1	BMHZ	1	
23	IOE9000072BX-1A1	BMHZ	1	
22	IOE9000072BX-1A1	BMHZ	1	
21	IOE9000072BX-1A1	BMHZ	1	
20	IOE9000072BX-1A1	BMHZ	1	
19	IOE9000072BX-1A1	BMHZ	1	
18	IOE9000072BX-1A1	BMHZ	1	
17	IOE9000072BX-1A1	BMHZ	1	
16	IOE9000072BX-1A1	BMHZ	1	
15	IOE9000072BX-1A1	BMHZ	1	
14	IOE9000072BX-1A1	BMHZ	1	
13	IOE9000072BX-1A1	BMHZ	1	
12	IOE9000072BX-1A1	BMHZ	1	
11	IOE9000072BX-1A1	BMHZ	1	
10	IOE9000072BX-1A1	BMHZ	1	
9	IOE9000072BX-1A1	BMHZ	1	
8	IOE9000072BX-1A1	BMHZ	1	
7	IOE9000072BX-1A1	BMHZ	1	
6	IOE9000072BX-1A1	BMHZ	1	
5	IOE9000072BX-1A1	BMHZ	1	
4	IOE9000072BX-1A1	BMHZ	1	
3	IOE9000072BX-1A1	BMHZ	1	
2	IOE9000072BX-1A1	BMHZ	1	
1	IOE9000072BX-1A1	BMHZ	1	

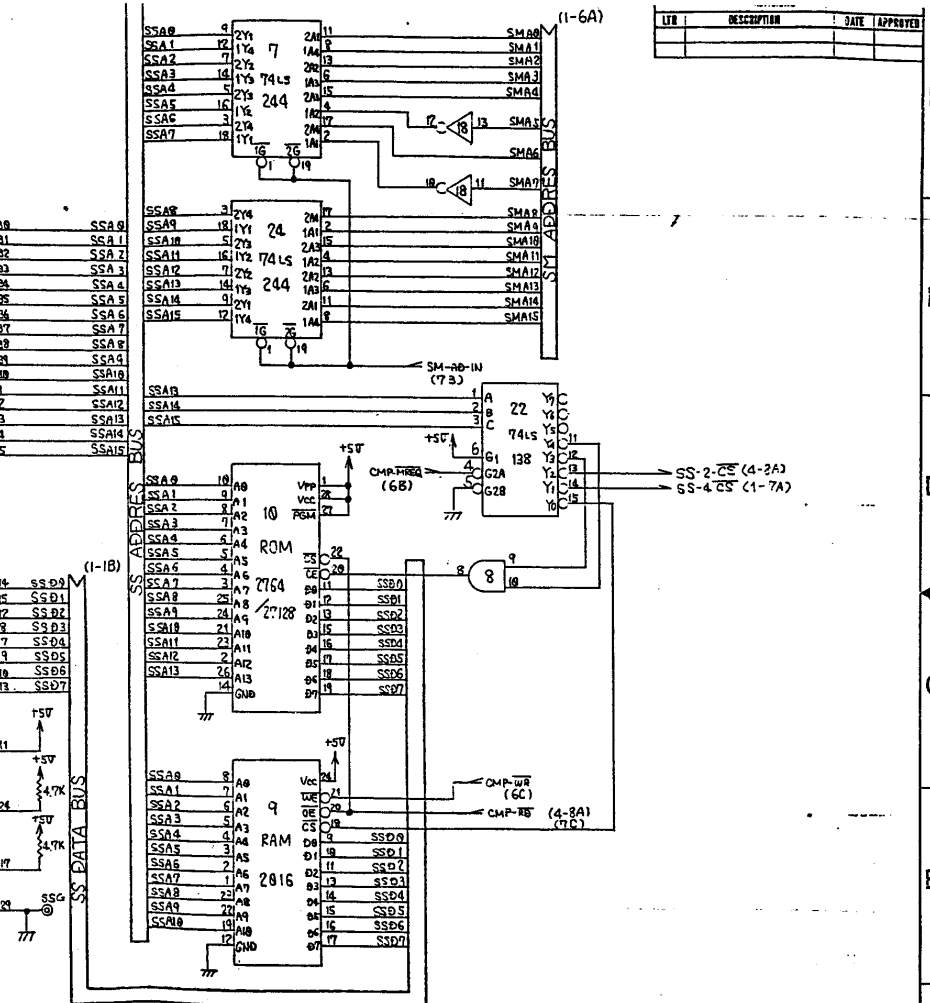
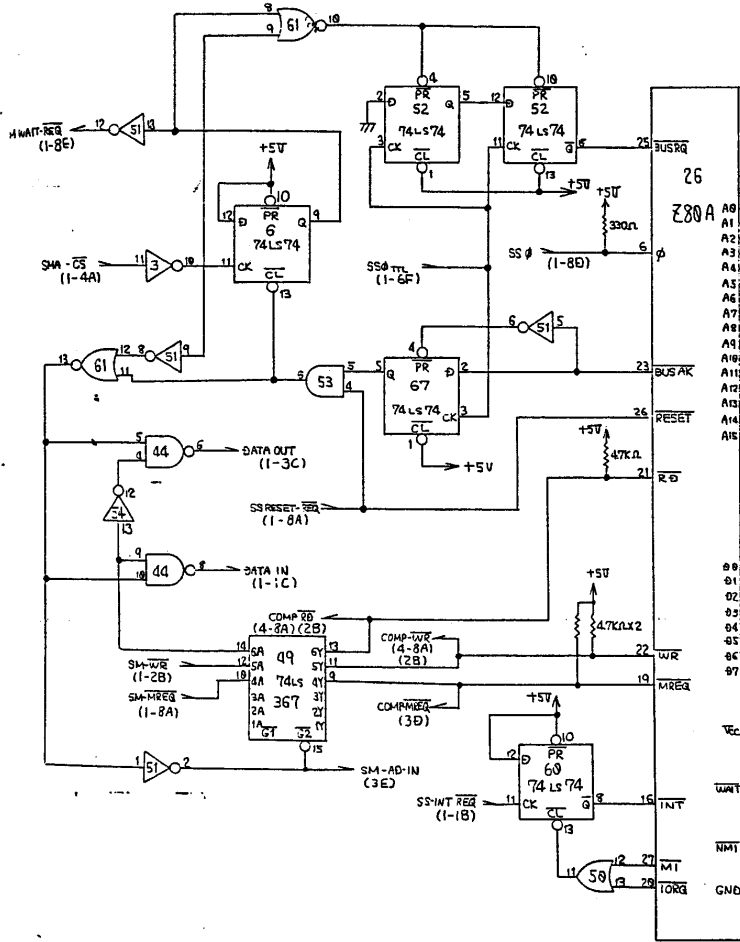
NO.	SYMBOL	DESCRIPTION	QTY	REMARKS
1	J1100013A	SOUND PC BOARD	1	
2	IOE9000072BX-1A1	BMHZ	1	
3	IOE9000072BX-1A1	BMHZ	1	
4	IOE9000072BX-1A1	BMHZ	1	
5	IOE9000072BX-1A1	BMHZ	1	
6	IOE9000072BX-1A1	BMHZ	1	
7	IOE9000072BX-1A1	BMHZ	1	
8	IOE9000072BX-1A1	BMHZ	1	
9	IOE9000072BX-1A1	BMHZ	1	
10	IOE9000072BX-1A1	BMHZ	1	
11	IOE9000072BX-1A1	BMHZ	1	
12	IOE9000072BX-1A1	BMHZ	1	
13	IOE9000072BX-1A1	BMHZ	1	
14	IOE9000072BX-1A1	BMHZ	1	
15	IOE9000072BX-1A1	BMHZ	1	
16	IOE9000072BX-1A1	BMHZ	1	
17	IOE9000072BX-1A1	BMHZ	1	
18	IOE9000072BX-1A1	BMHZ	1	
19	IOE9000072BX-1A1	BMHZ	1	
20	IOE9000072BX-1A1	BMHZ	1	
21	IOE9000072BX-1A1	BMHZ	1	
22	IOE9000072BX-1A1	BMHZ	1	
23	IOE9000072BX-1A1	BMHZ	1	
24	IOE9000072BX-1A1	BMHZ	1	
25	IOE9000072BX-1A1	BMHZ	1	
26	IOE9000072BX-1A1	BMHZ	1	
27	IOE9000072BX-1A1	BMHZ	1	
28	IOE9000072BX-1A1	BMHZ	1	
29	IOE9000072BX-1A1	BMHZ	1	
30	IOE9000072BX-1A1	BMHZ	1	
31	IOE9000072BX-1A1	BMHZ	1	
32	IOE9000072BX-1A1	BMHZ	1	
33	IOE9000072BX-1A1	BMHZ	1	
34	IOE9000072BX-1A1	BMHZ	1	
35	IOE9000072BX-1A1	BMHZ	1	
36	IOE9000072BX-1A1	BMHZ	1	
37	IOE9000072BX-1A1	BMHZ	1	
38	IOE9000072BX-1A1	BMHZ	1	
39	IOE9000072BX-1A1	BMHZ	1	
40	IOE9000072BX-1A1	BMHZ	1	
41	IOE9000072BX-1A1	BMHZ	1	
42	IOE9000072BX-1A1	BMHZ	1	
43	IOE9000072BX-1A1	BMHZ	1	
44	IOE9000072BX-1A1	BMHZ	1	
45	IOE9000072BX-1A1	BMHZ	1	
46	IOE9000072BX-1A1	BMHZ	1	
47	IOE9000072BX-1A1	BMHZ	1	
48	IOE9000072BX-1A1	BMHZ	1	
49	IOE9000072BX-1A1	BMHZ	1	
50	IOE9000072BX-1A1	BMHZ	1	
51	IOE9000072BX-1A1	BMHZ	1	
52	IOE9000072BX-1A1	BMHZ	1	
53	IOE9000072BX-1A1	BMHZ	1	
54	IOE9000072BX-1A1	BMHZ	1	
55	IOE9000072BX-1A1	BMHZ	1	
56	IOE9000072BX-1A1	BMHZ	1	
57	IOE9000072BX-1A1	BMHZ	1	
58	IOE9000072BX-1A1	BMHZ	1	
59	IOE9000072BX-1A1	BMHZ	1	
60	IOE9000072BX-1A1	BMHZ	1	
61	IOE9000072BX-1A1	BMHZ	1	
62	IOE9000072BX-1A1	BMHZ	1	
63	IOE9000072BX-1A1	BMHZ	1	
64	IOE9000072BX-1A1	BMHZ	1	
65	IOE9000072BX-1A1	BMHZ	1	
66	IOE9000072BX-1A1	BMHZ	1	
67	IOE9000072BX-1A1	BMHZ	1	
68	IOE9000072BX-1A1	BMHZ	1	
69	IOE9000072BX-1A1	BMHZ	1	
70	IOE9000072BX-1A1	BMHZ	1	
71	IOE9000072BX-1A1	BMHZ	1	
72	IOE9000072BX-1A1	BMHZ	1	
73	IOE9000072BX-1A1	BMHZ	1	
74	IOE9000072BX-1A1	BMHZ	1	
75	IOE9000072BX-1A1	BMHZ	1	
76	IOE9000072BX-1A1	BMHZ	1	
77	IOE9000072BX-1A1	BMHZ	1	
78	IOE9000072BX-1A1	BMHZ	1	
79	IOE9000072BX-1A1	BMHZ	1	
80	IOE9000072BX-1A1	BMHZ	1	
81	IOE9000072BX-1A1	BMHZ	1	



REV	DESCRIPTION	DATE	APPROVED

(J 11 00013A)

TAITO CORPORATION 7-19 '84 K-MOT 7-20-84 T. Higashi APPROVED		SOUND P.C. BOARD SCHEMATIC DIAGRAM DATE 7.19.84 DRAWN BY A2 CHECKED BY	
-----------------------------------------------------------------------------	--	------------------------------------------------------------------------------------	--



LIB	DESCRIPTION	DATE	APPROVED

(J11 00013A)

THIRD ANGLE PROJECTION		DATE: 7.19.84		TAITO CORPORATION	
SIZES: DIMENSIONS SPECIFIED UNLESS OTHERWISE SPECIFIED DIMENSIONS ARE IN MILLIMETERS		DRAWN: K-MOY		NAME: SOUND P.C. BOARD	
TOLERANCE: ±		CHECKED: J. SUGIMOTO		DATE: 7.20.84	
MATERIAL: ±		SCALE: 1:1		SHEET: 1 OF 1	
FINISH: ±		DRAWN: J. SUGIMOTO		DATE: 7.19.84	
TITLED: ±		DATE: 7.19.84		SHEET: 1 OF 1	
TITLED: ±		DATE: 7.19.84		SHEET: 1 OF 1	
TITLED: ±		DATE: 7.19.84		SHEET: 1 OF 1	
TITLED: ±		DATE: 7.19.84		SHEET: 1 OF 1	
TITLED: ±		DATE: 7.19.84		SHEET: 1 OF 1	

SCHEMATIC DIAGRAM

