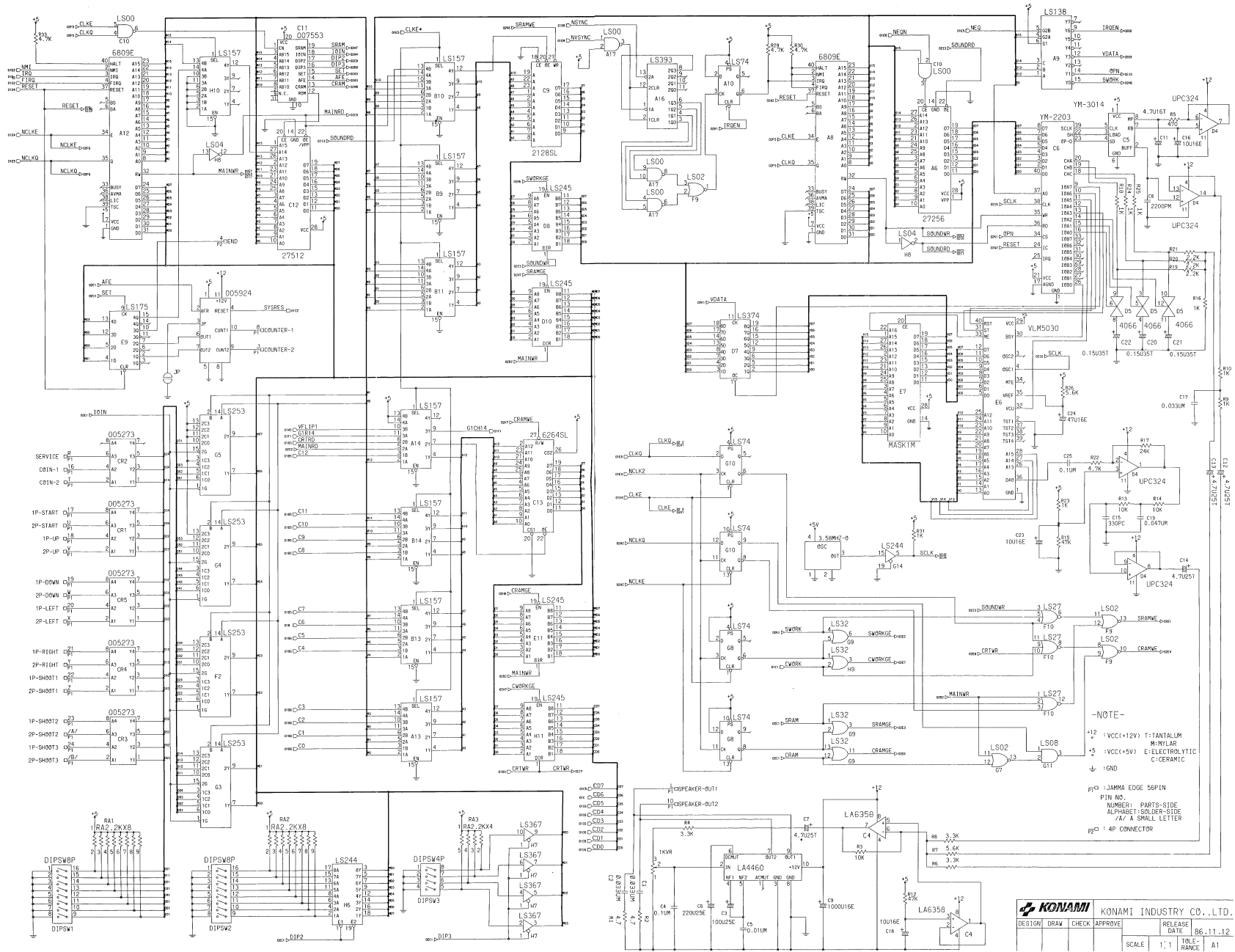


-NOTE-
 *12 : VCC(+12V) T-TANTALUM
 MINUAR
 *15 : VCC(+5V) ELECTROLYTIC
 C-CERAMIC
 ↓ : END
 P10 : JAMMA EDGE 56PIN
 PIN NO.
 NUMBERS: PARTS-SIDE
 ALPHABET: SOLDER-SIDE
 / / A SMALL LETTER
 P05 : 4P CONNECTOR



KONAMI				KONAMI INDUSTRY CO., LTD.	
DESIGN	DRAW	CHECK	APPROVE	RELEASE DATE	86.11.12
				SCALE	1:1
				TOL.	±0.1
				RANGE	A1