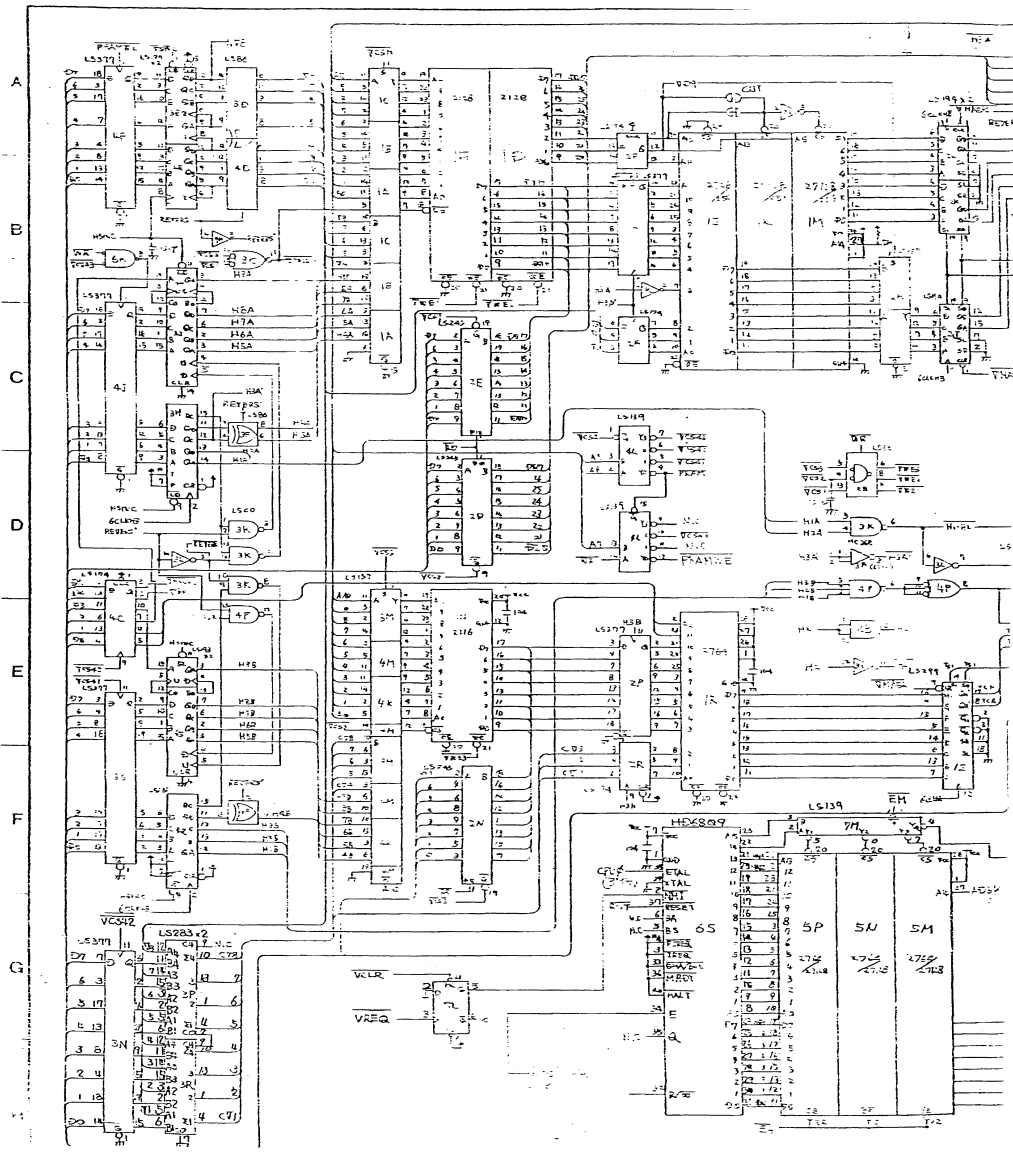
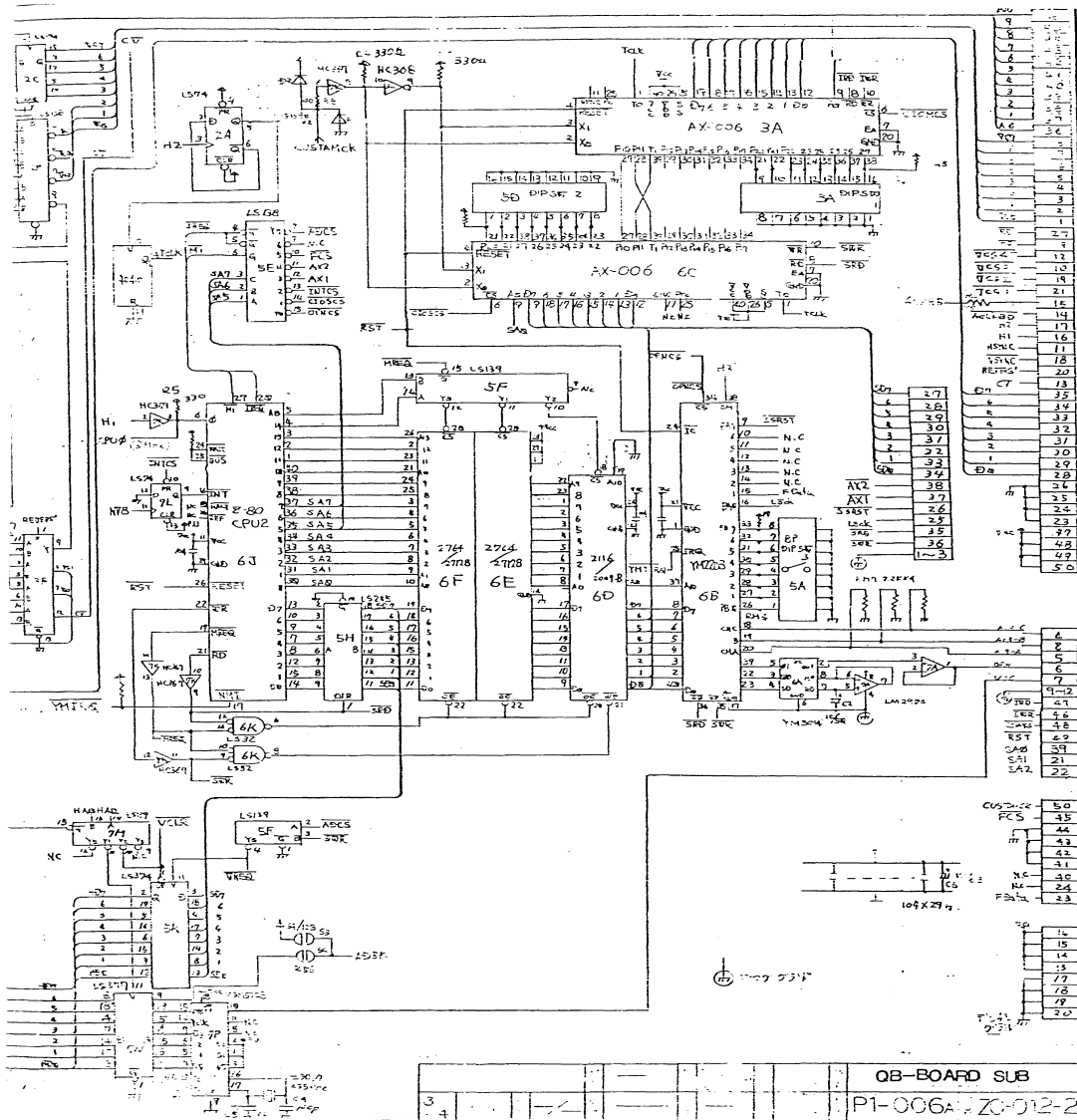


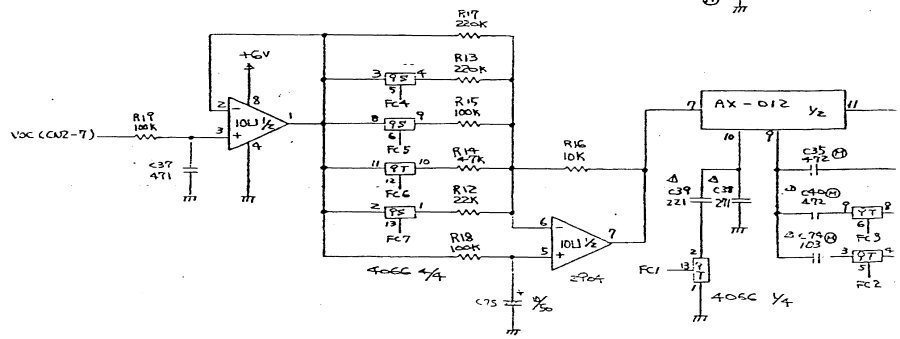
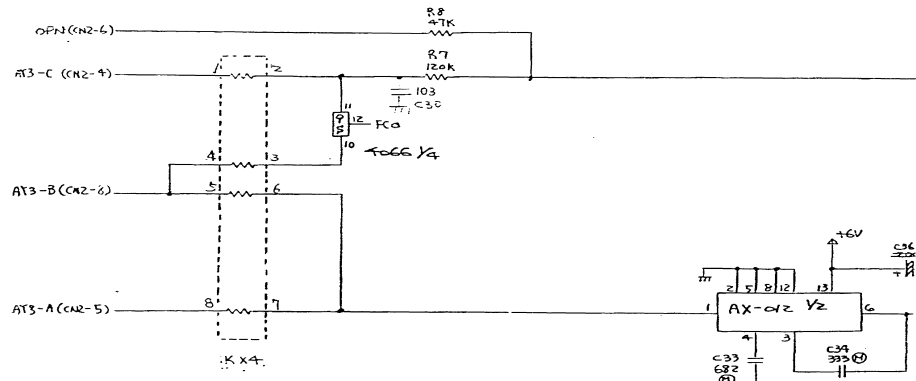
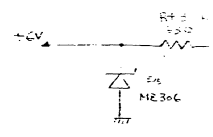
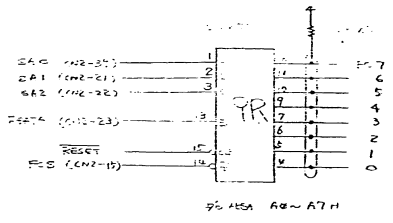
4/4

DATE	Designed by	Q8 I/O PLC
MAY 85		ZO-013-2

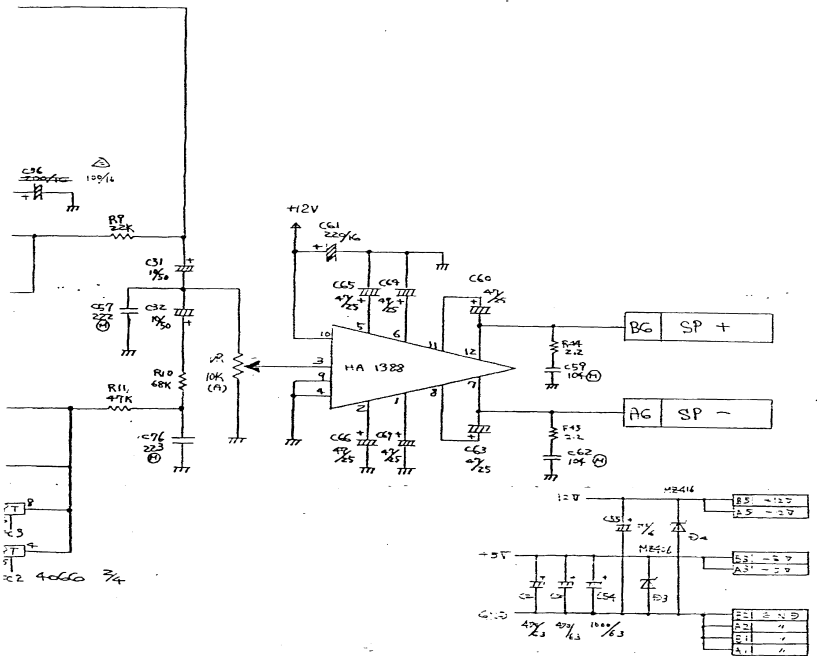




B
C
D
E
F
G
H



12V



Q BOARD SOUND	
PO-003	ZO-011

