

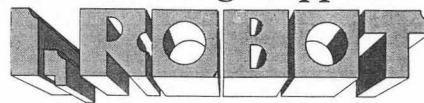
Table of Contents

Table of Contents	Sheet 1A
I, ROBOT Main Wiring Diagram (042624-01 B)	Sheet 1B
I, ROBOT Game Interfaces	Sheet 2A
Coin Door Wiring Diagram (99-15085 A), Utility Panel Wiring Diagram (A038004-01 F), Fluorescent Light Wiring Diagram (035853-01 A)	
CPU PCB Schematics (039568-01 A)	
I, ROBOT CPU PCB	Sheet 2B-6A
Video PCB Schematics (039558-01 A)	
I, ROBOT Video PCB	Sheet 6B-11A
EMI Shield PCB Schematic (037667-03 A)	
I, ROBOT EMI Shield PCB	Sheet 11B

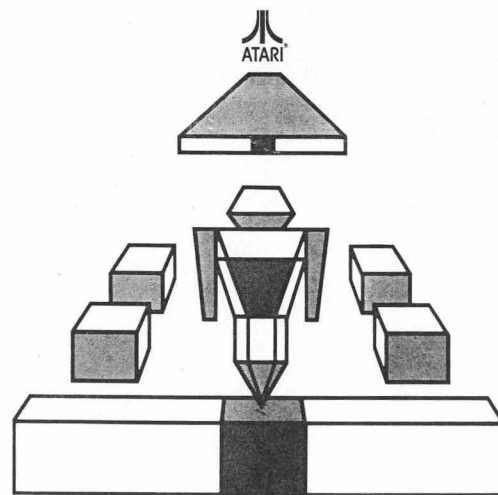
NOTE

This stapler temporarily holds the schematics in place. Do not staple before using these schematics.

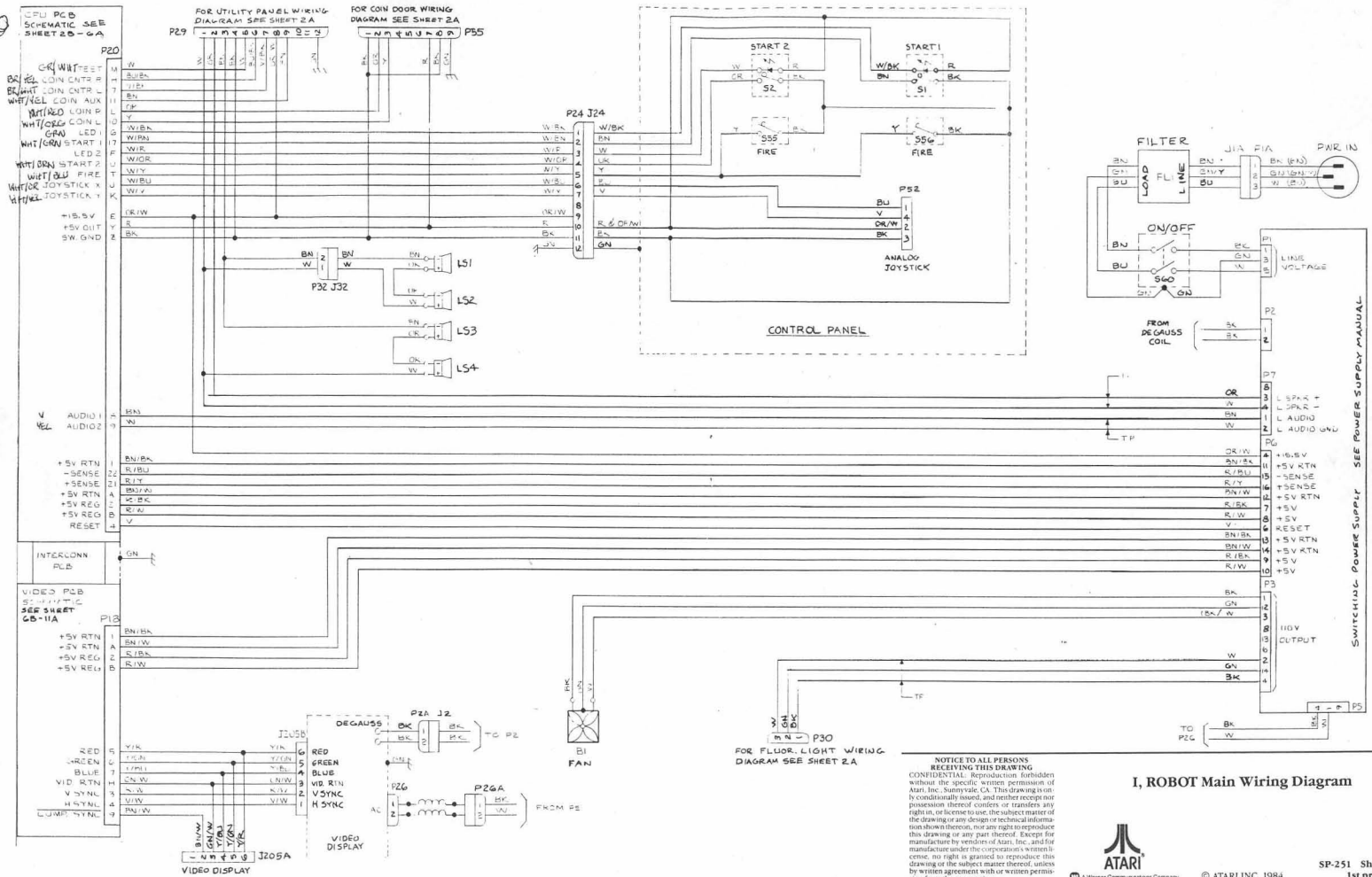
Schematic Package Supplement to



Operators Manual

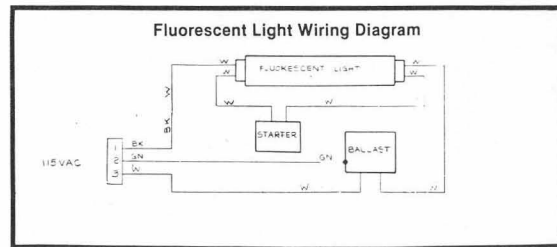
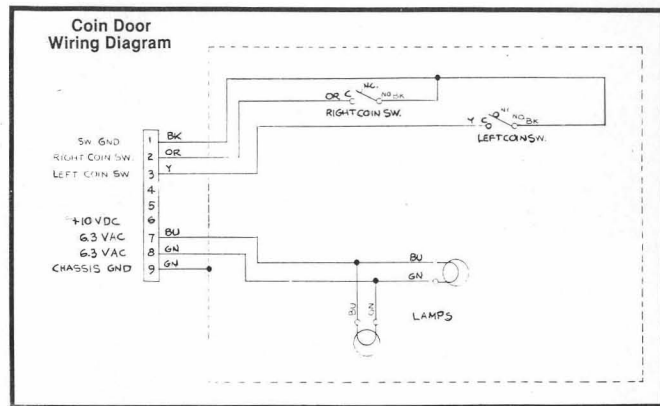
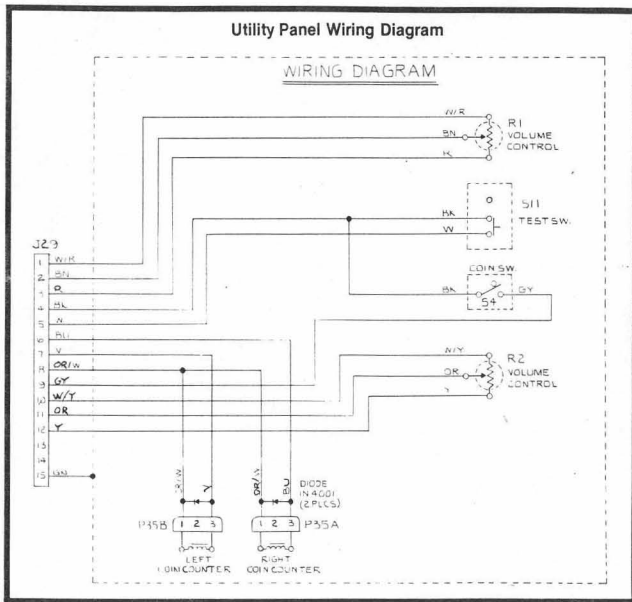


6N



I, ROBOT Main Wiring Diagram





NOTICE TO ALL PERSONS RECEIVING THIS DRAWING
 CONFIDENTIAL. Reproduction forbidden without the specific written permission of Atari, Inc., Sunnyvale, CA. This drawing is only conditionally issued, and neither receipt nor possession thereof confers or transfers, any right in, or license to use, the subject matter of the drawing or any part thereof. Except for manufacture by vendors of Atari, Inc., and for manufacture under the vendor's written license, no right is granted to reproduce this drawing or the subject matter thereof, unless by written agreement with or written permission from the corporation.

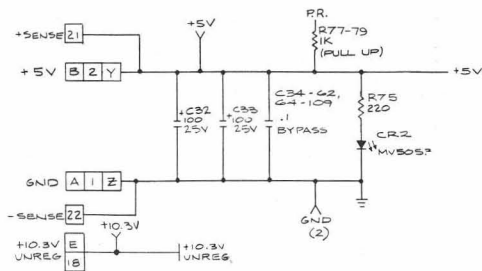
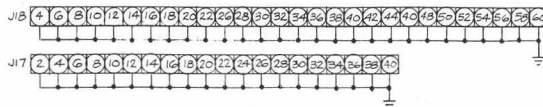
I, ROBOT Game Interfaces



A Warner Communications Company

ATARI INC. 1984

SP-251 Sheet 2A
 1st printing



NOTES:

1. = J20 CONNECTOR
2. = J17 & J18 CONNECTOR
3. = TEST CONNECTOR

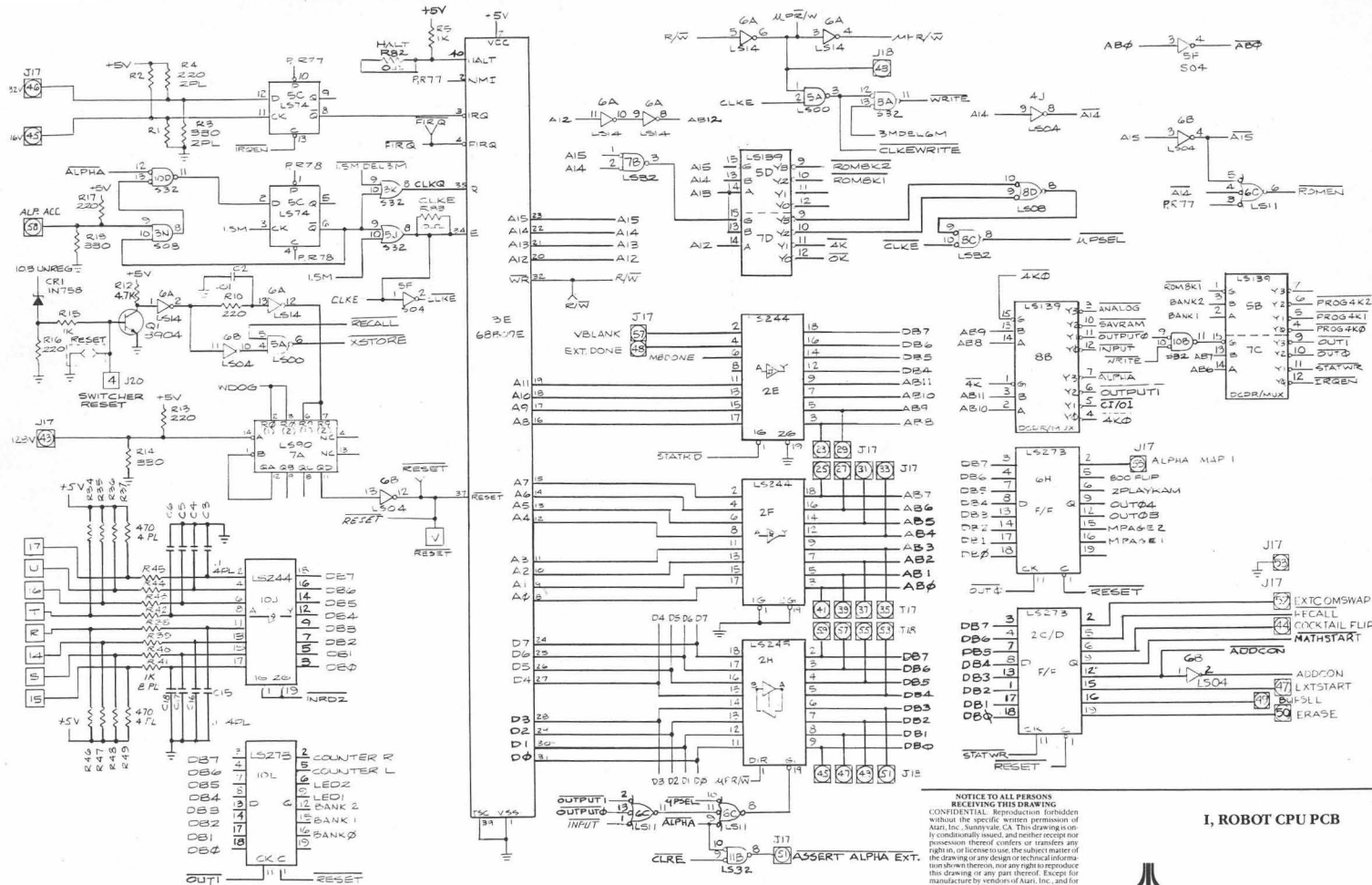
NOTICE TO ALL PERSONS
 RECEIVING THIS DRAWING
 CONFIDENTIAL: reproduction forbidden
 without the specific written permission of
 Atari, Inc., Sunnyvale, CA. This drawing is on-
 ly conditionally issued, and neither receipt nor
 possession thereof confers or transfers any
 right in, or license to use, the subject matter of
 the drawing or any design or technical informa-
 tion shown thereon, nor any right to reproduce
 this drawing or any part thereof. Except for
 manufacture by vendors of Atari, Inc., and for
 manufacture under the corporation's written li-
 cense, no right is granted to reproduce this
 drawing or the subject matter thereof, unless
 by written agreement with or written permis-
 sion from the corporation.

I, ROBOT CPU PCB



© ATARI INC. 1984

SP-251 Sheet 2B
 1st printing

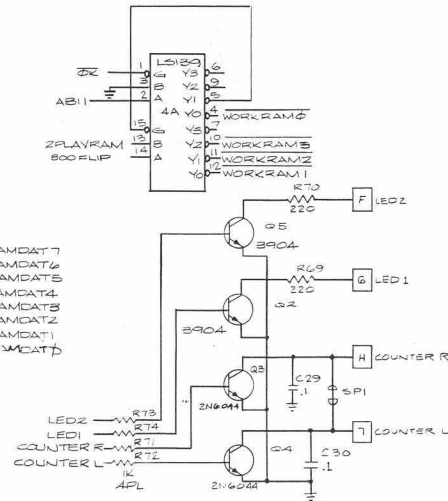
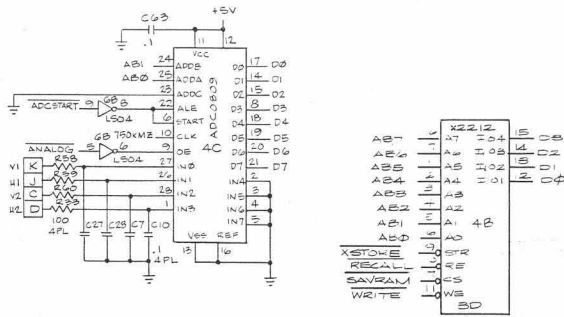
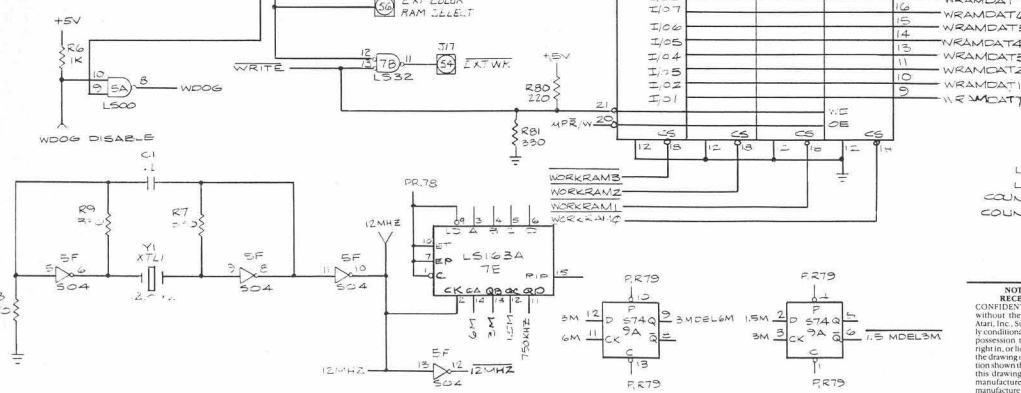
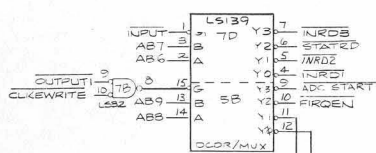
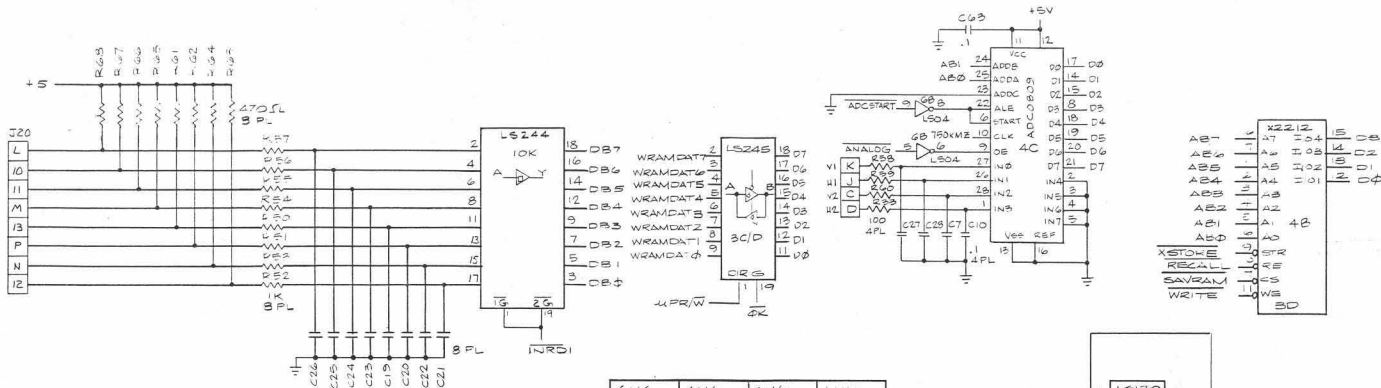


NOTICE TO ALL PERSONS RECEIVING THIS DRAWING
 CONFIDENTIAL. Reproduction forbidden without the specific written permission of Atari, Inc., Sunnyvale, CA. This drawing is only conditionally issued, and neither conveys nor possession thereof confers or transfers any right in, or license to use, the subject matter of the drawing or any design or technical information shown thereon, nor any right to reproduce this drawing or any part thereof. Except for manufacture by vendors of Atari, Inc., and for manufacture under the corporation's written license, no right is granted to reproduce this drawing or the subject matter thereof, unless by written agreement with or written permission from the corporation.




I, ROBOT CPU PCB

ATARI INC. 1984



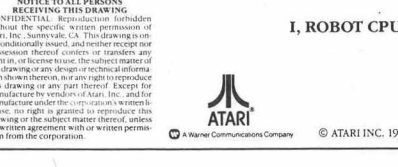
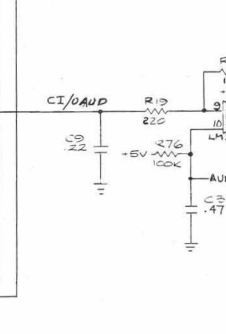
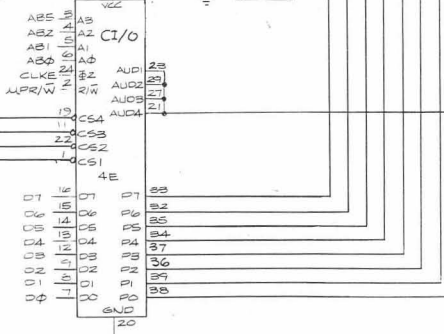
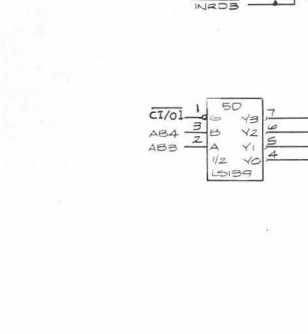
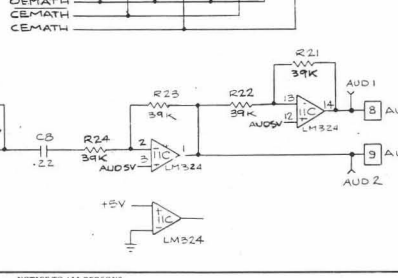
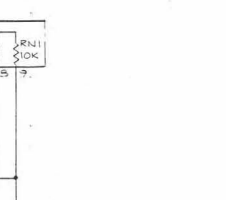
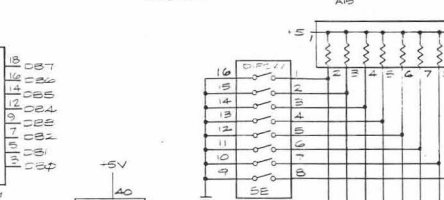
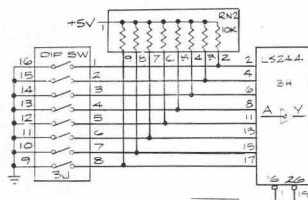
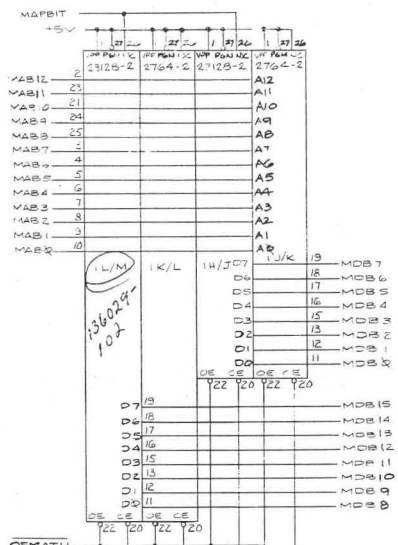
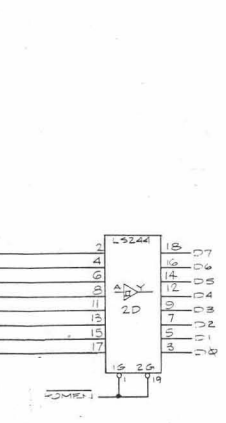
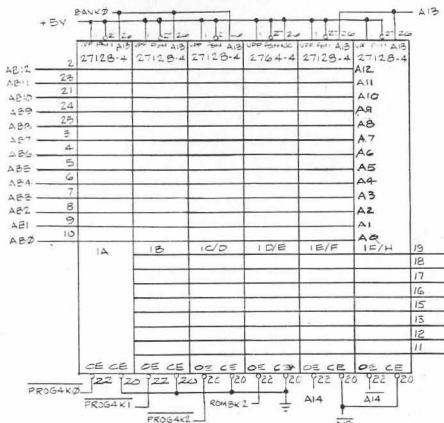
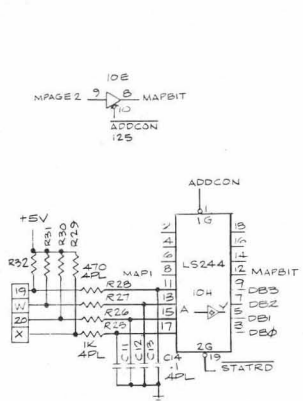
NOTICE TO ALL PERSONS RECEIVING THIS DRAWING
 CONFIDENTIAL: Reproduction forbidden without the specific written permission of Atari, Inc., Sunnyvale, CA. This drawing is only conditionally loaned, and neither conveys nor confers any right in, or license to use, the subject matter of the drawing or any design or technical information shown thereon, nor any right to reproduce this drawing or any part thereof. Except for manufacture by vendors of Atari, Inc., and for manufacture under the corporation's written license, no right is granted to reproduce this drawing or the subject matter thereof, unless by written agreement with or written permission from the corporation.

I, ROBOT CPU PCB


 A Warner Communications Company

© ATARI INC. 1984

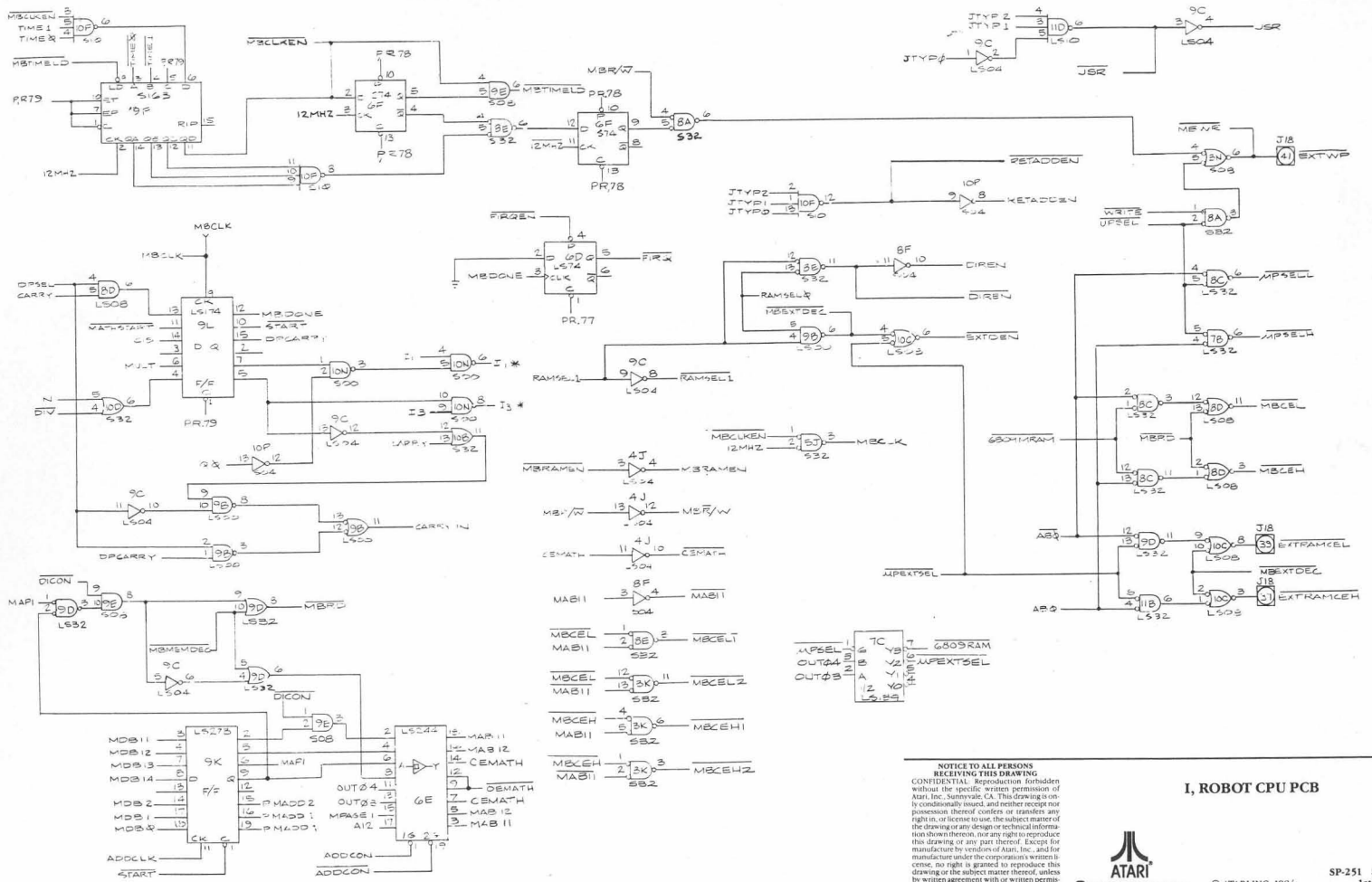
SP-251 Sheet 3B
 1st printing



NOTICE TO ALL PERSONS RECEIVING THIS DRAWING
 CONFIDENTIAL. Reproduction forbidden without the specific written permission of Atari, Inc., Sunnyvale, CA. This drawing is only conditionally issued, and neither receipt nor possession thereof confers or transfers any rights in, or license to use, the subject matter of the drawing or any design or technical information shown thereon, nor any right to reproduce this drawing or any part thereof. Except for manufacture by vendors of Atari, Inc., and for manufacture under the corporation's written license, no right is granted to reproduce this drawing or the subject matter thereof, unless by written agreement with or written permission from the corporation.



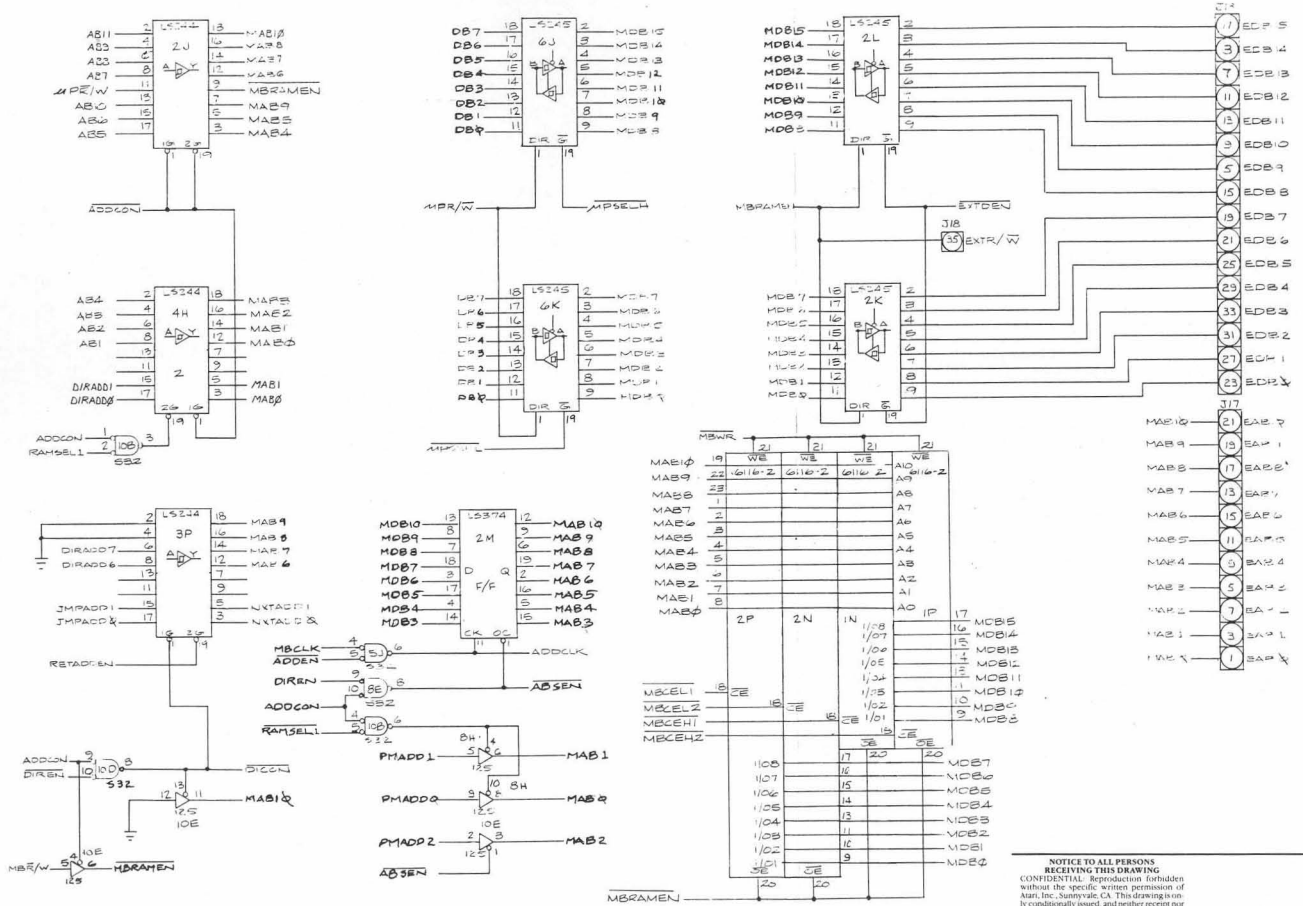
I, ROBOT CPU PCB



NOTICE TO ALL PERSONS RECEIVING THIS DRAWING
 CONFIDENTIAL: Reproduction forbidden without the specific written permission of Atari, Inc., Sunnyvale, CA. This drawing is hereby conditionally issued, and neither receipt nor possession thereof confers or transfers any right in, or license to use, the subject matter of the drawing or any design or technical information shown thereon, nor any right to reproduce this drawing or any part thereof. Except for manufacture by vendors of Atari, Inc., and for manufacture under the corporation's written license, no right is granted to reproduce this drawing or the subject matter thereof, unless by written agreement with or written permission from the corporation.

I, ROBOT CPU PCB



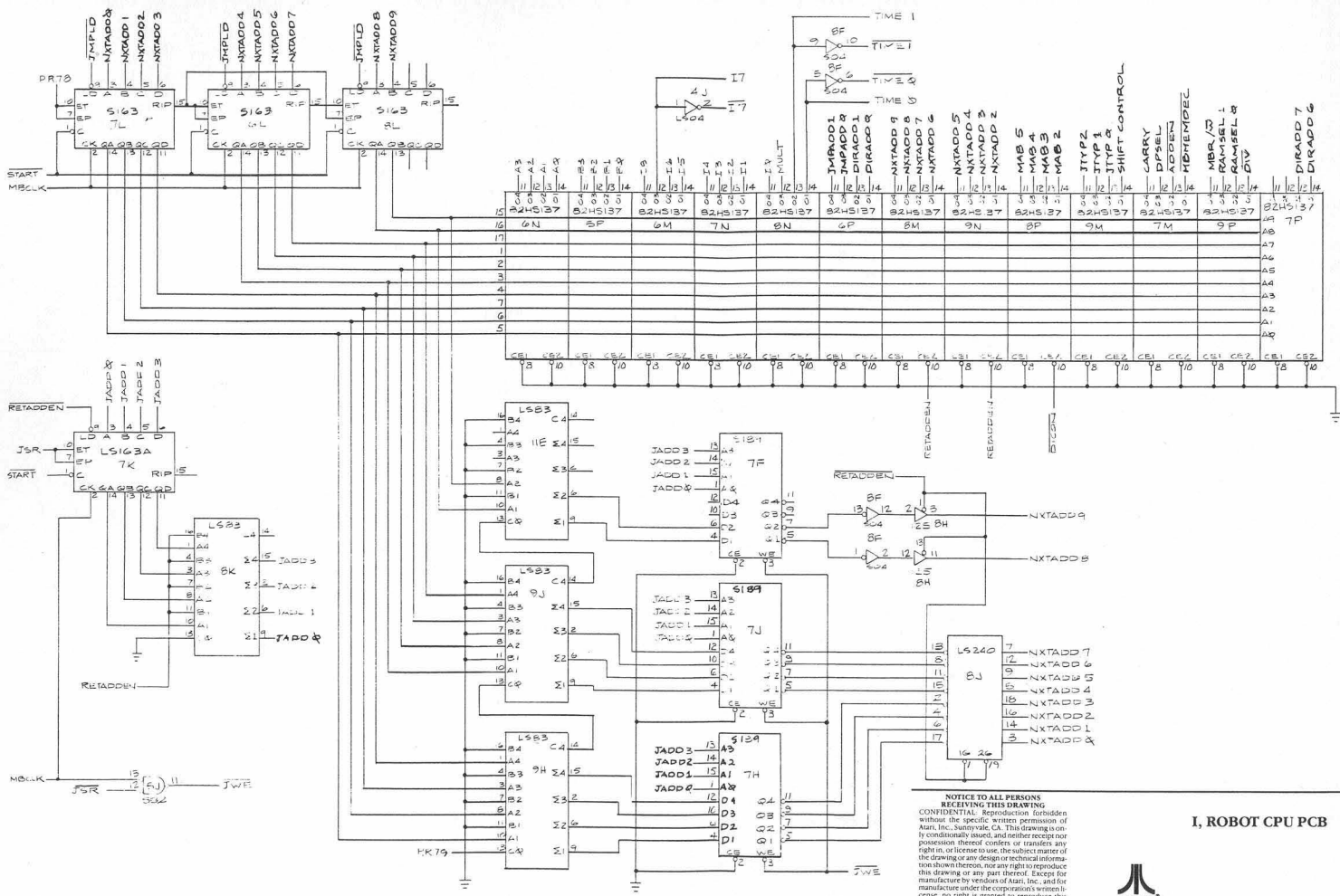


NOTICE TO ALL PERSONS RECEIVING THIS DRAWING
 CONFIDENTIAL. Reproduction forbidden without the specific written permission of Atari, Inc., Sunnyvale, CA. This drawing is only conditionally issued, and neither receipt nor possession thereof confers or transfers any right in, or license to use, the subject matter of the drawing or any design or technical information shown therein, nor any right to reproduce this drawing or any part thereof. Except for manufacture by vendors of Atari, Inc., and for manufacture under the corporation's written license, no right is granted to reproduce this drawing or the subject matter thereof, unless by written agreement with or written permission from the corporation.

I, ROBOT CPU PCB



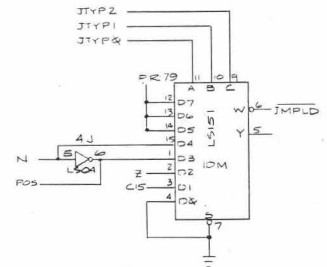
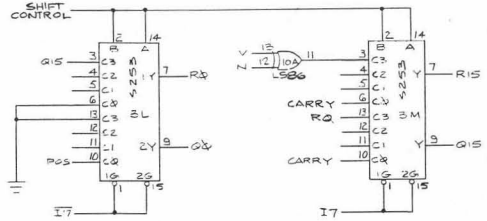
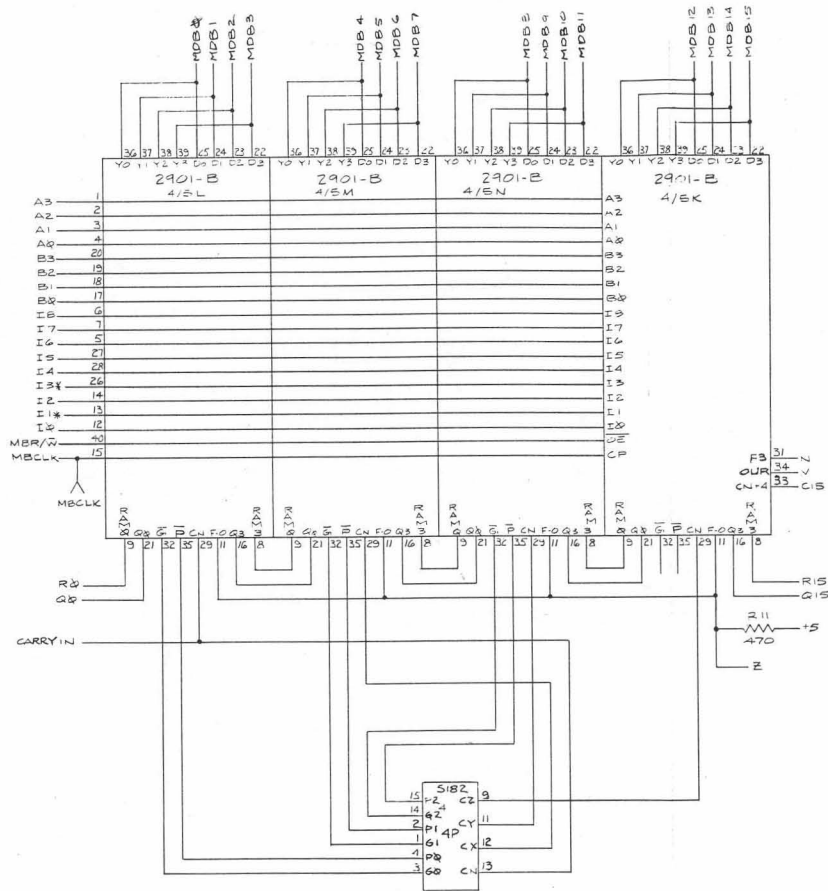
© ATARI INC. 1984



NOTICE TO ALL PERSONS RECEIVING THIS DRAWING
 CONFIDENTIAL. Reproduction forbidden without the specific written permission of Atari, Inc., Sunnyvale, CA. This drawing is only conditionally issued, and neither recipient possession thereof, copies or transfers any right in, or license to use, the subject matter of the drawing or any design or technical information shown hereon, nor any right to reproduce this drawing or any part thereof. Except for manufacture by the corporation's written license, no right is granted to reproduce this drawing or the subject matter thereof, unless by written agreement with or written permission from the corporation.

I, ROBOT CPU PCB

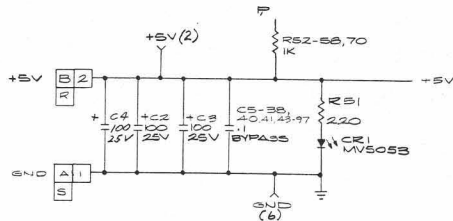




NOTICE TO ALL PERSONS RECEIVING THIS DRAWING
 CONFIDENTIAL. Reproduction forbidden without the specific written permission of Atari, Inc., Sunnyvale, CA. This drawing is only conditionally issued, and neither conveys nor possession thereof, confers or transfers any right in, or license to use, the subject matter of the drawing or any design or technical information shown thereon, nor any right to reproduce this drawing or any part thereof. Except for manufacture by vendors of Atari, Inc., and for manufacture under the corporation's written license, no right is granted to reproduce this drawing or the subject matter thereof, unless by written agreement with or written permission from the corporation.

I, ROBOT CPU PCB





- DENOTES J17 CONNECTOR
- DENOTES J19 CONNECTOR
- DENOTES J18 CONNECTOR

NOTICE TO ALL PERSONS RECEIVING THIS DRAWING
 CONFIDENTIAL. Reproduction forbidden without the specific written permission of Atari, Inc., Sunnyvale, CA. This drawing is only conditionally issued, and neither receiver nor possession thereof confers or transfers any right in, or license to use, the subject matter of the drawing or any design or technical information shown thereon, nor any right to reproduce this drawing or any part thereof. Except for manufacture under the corporation's written license, no right is granted to reproduce this drawing or the subject matter thereof, unless by written agreement with or written permission from the corporation.

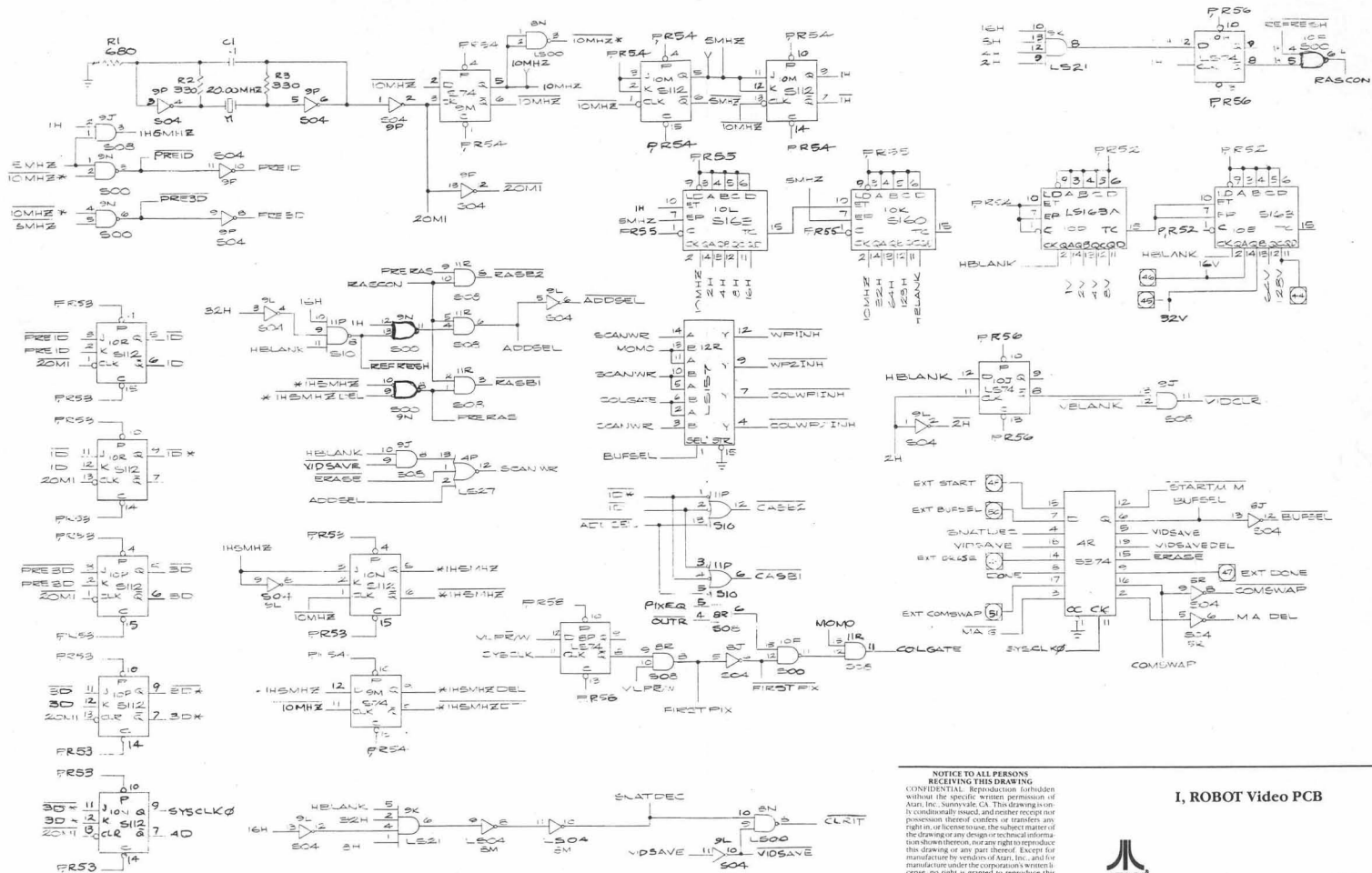
I, ROBOT Video PCB



© A Warner Communications Company

© ATARI INC. 1984

SP-251 Sheet 6B
 1st printing



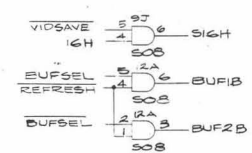
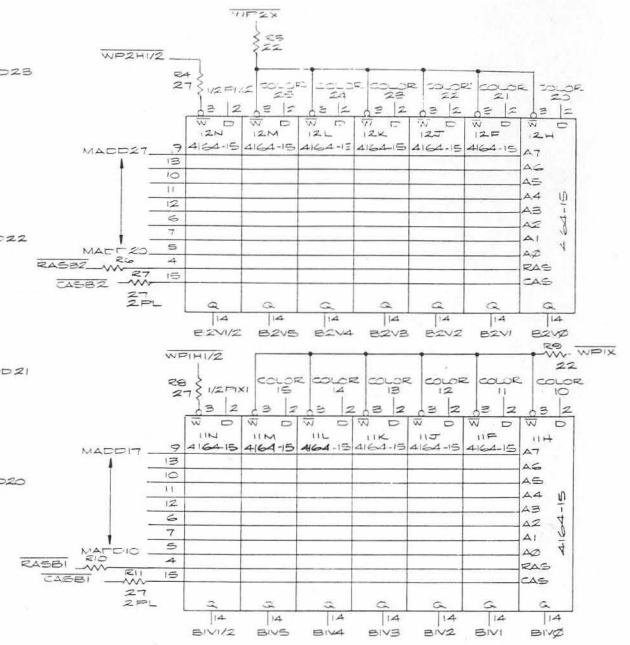
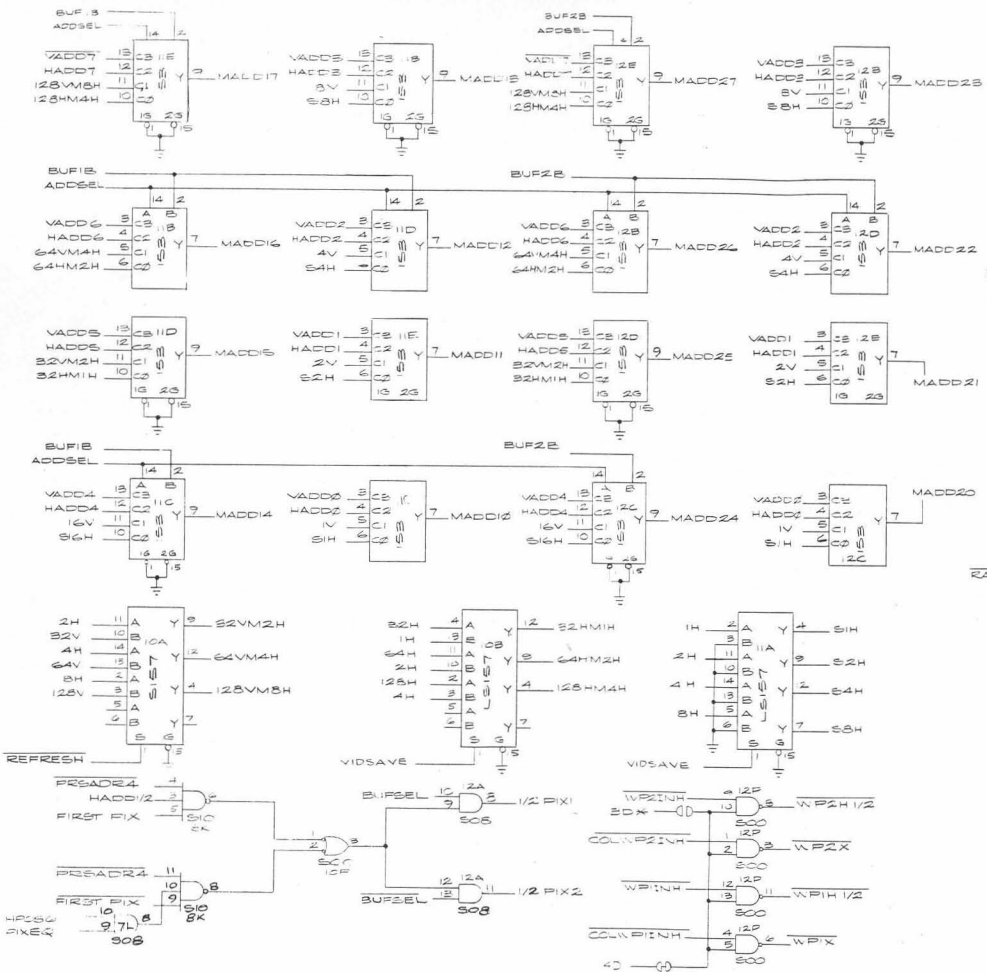
NOTICE TO ALL PERSONS RECEIVING THIS DRAWING
 CONFIDENTIAL. Reproduction forbidden without the specific written permission of Atari Inc., Sunnyvale, CA. This drawing is confidentially issued, and neither our possession thereof confers or transfers any right in, or license under, the subject matter of the drawing or any design or technical information therein, nor any right to reproduce this drawing or any part thereof. Except for manufacture by vendors of Atari, Inc., and for manufacture under the corporation's written license, no right is granted to reproduce this drawing or the subject matter thereof, unless by written agreement with or written permission from the corporation.

I, ROBOT Video PCB



ATARI
 A Warner Communications Company

© ATARI INC. 1984



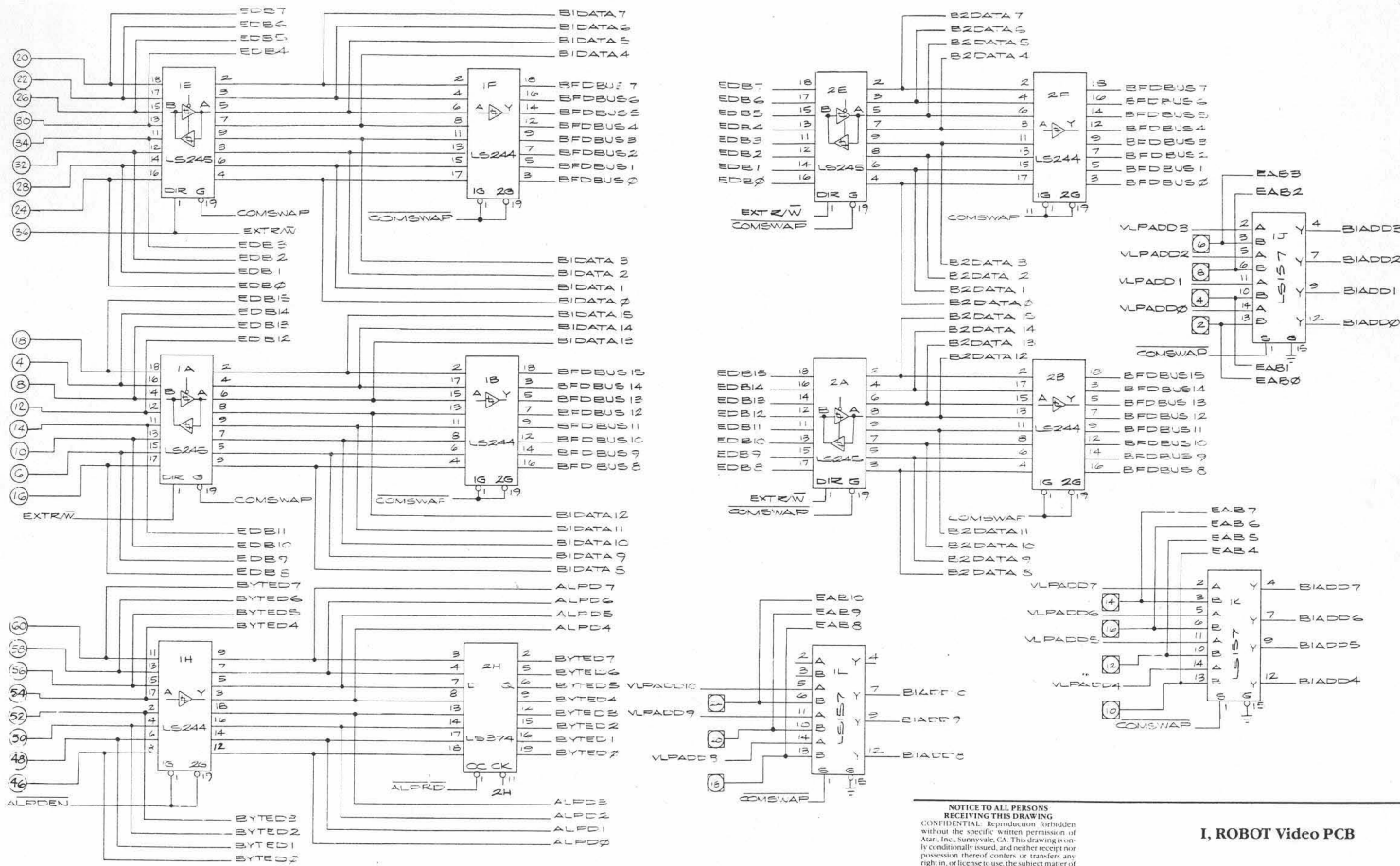
NOTICE TO ALL PERSONS RECEIVING THIS DRAWING
 CONFIDENTIAL: Reproduction forbidden without the specific written permission of Atari, Inc., Sunnyvale, CA. This drawing is only conditionally issued, and neither copyright nor possession thereof confers or transfers any right in, or license to use, the subject matter of the drawing or any design or technical information shown thereon, nor any right to reproduce this drawing or any part thereof. Except for manufacture under the corporation's written license, no right is granted to reproduce the drawing or the subject matter thereof, unless by written agreement with or written permission from the corporation.

I, ROBOT Video PCB



Warner Communications Company

ATARI INC. 1984



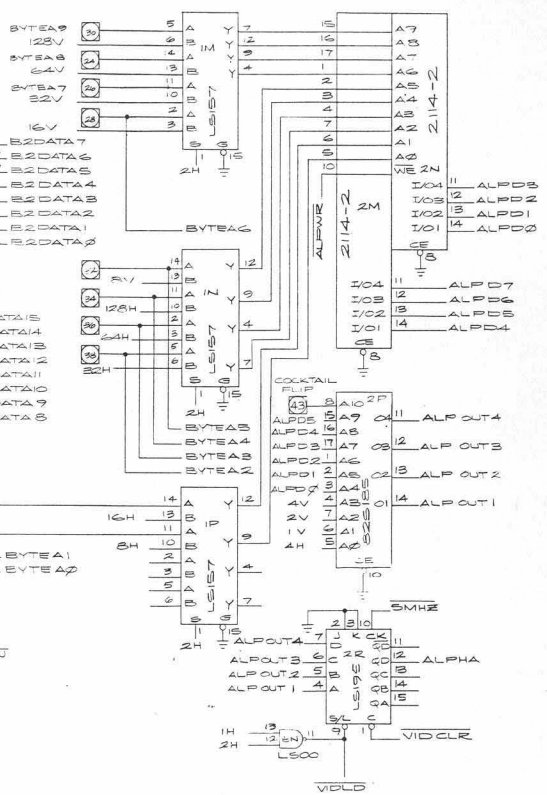
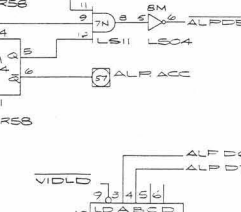
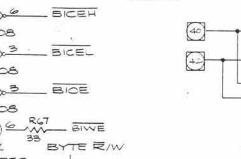
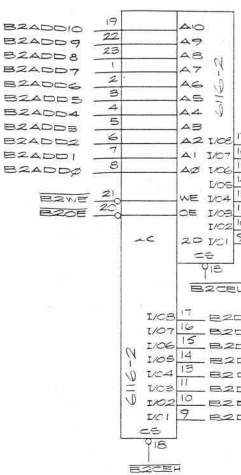
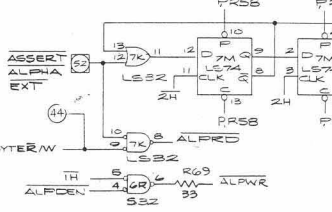
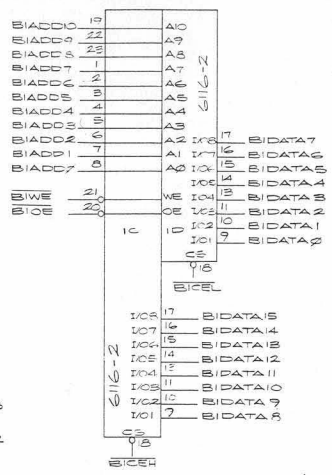
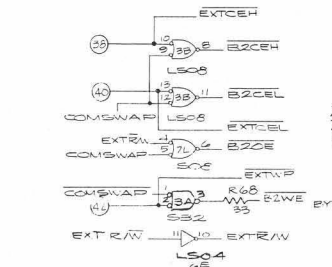
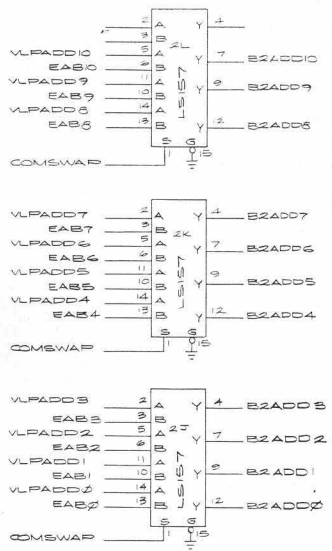
NOTICE TO ALL PERSONS RECEIVING THIS DRAWING
 CONFIDENTIAL. Reproduction forbidden without the specific written permission of Atari, Inc., Sunnyvale, CA. This drawing is only conditionally issued, and neither receipt nor possession thereof confers or transfers any right in, or license to use, the subject matter of the drawing or any design or technical information shown hereon, nor any right to reproduce this drawing or any part thereof. Except for manufacture by vendors of Atari, Inc., and for manufacture by vendors of the corporation's written consent, no right is granted to reproduce this drawing or the subject matter thereof, unless by written agreement with or written permission from the corporation.

I, ROBOT Video PCB



© ATARI INC. 1984

SP-251 Sheet 8A
 1st printing



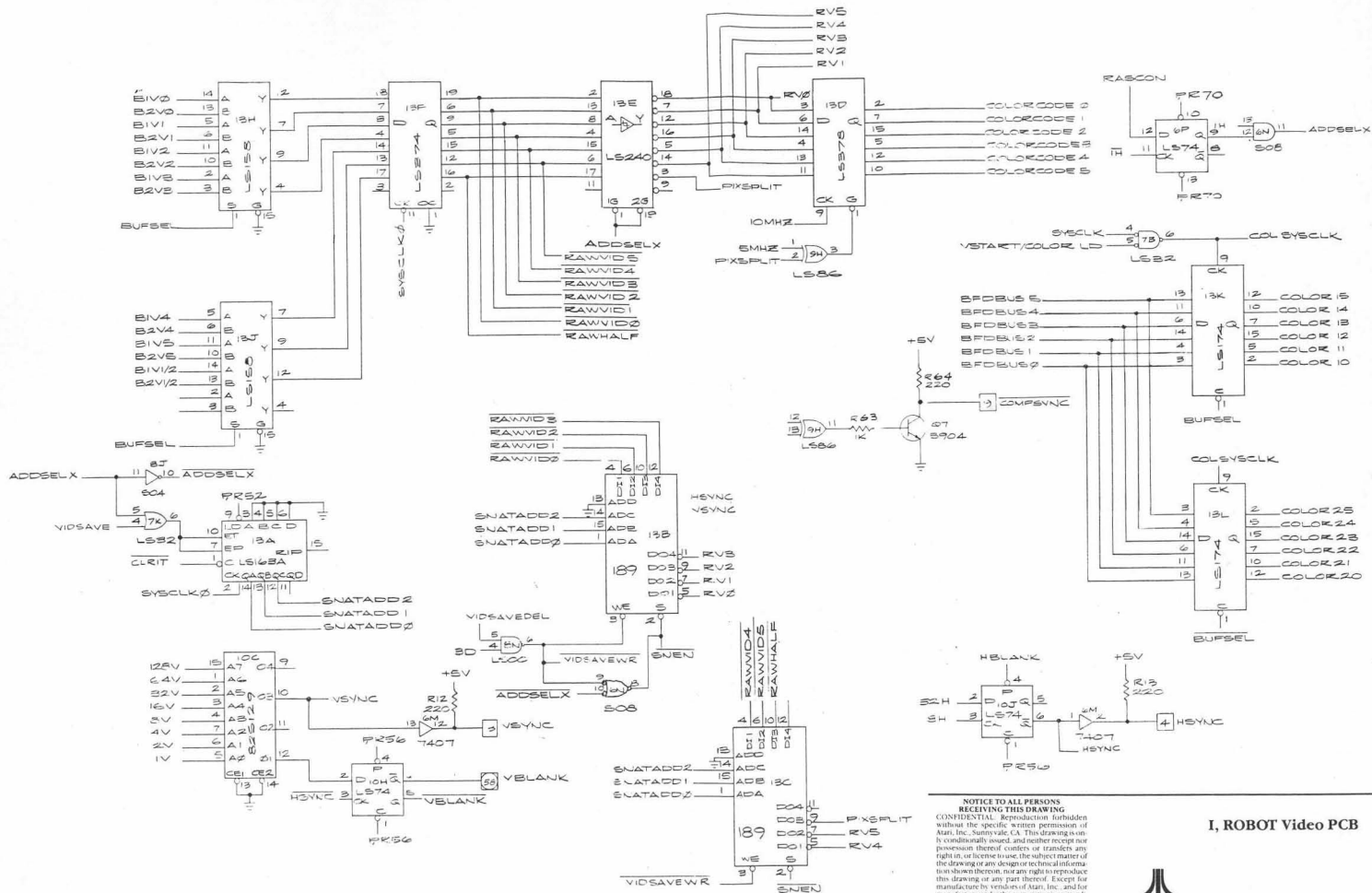
NOTICE TO ALL PERSONS RECEIVING THIS DRAWING
 CONFIDENTIAL. Reproduction forbidden without the specific written permission of Atari, Inc., Sunnyvale, CA. This drawing is on-ly conditionally issued, and neither conveys possession thereof nor conveys or transfers any right in, or license to use, the subject matter of the drawing or any design or technical information shown thereon, nor any right to reproduce this drawing or any part thereof. Except for manufacture under the corporation's written license, no right is granted to reproduce this drawing or the subject matter thereof, unless by written agreement with or written permission from the corporation.

I, ROBOT Video PCB



© ATARI INC. 1984

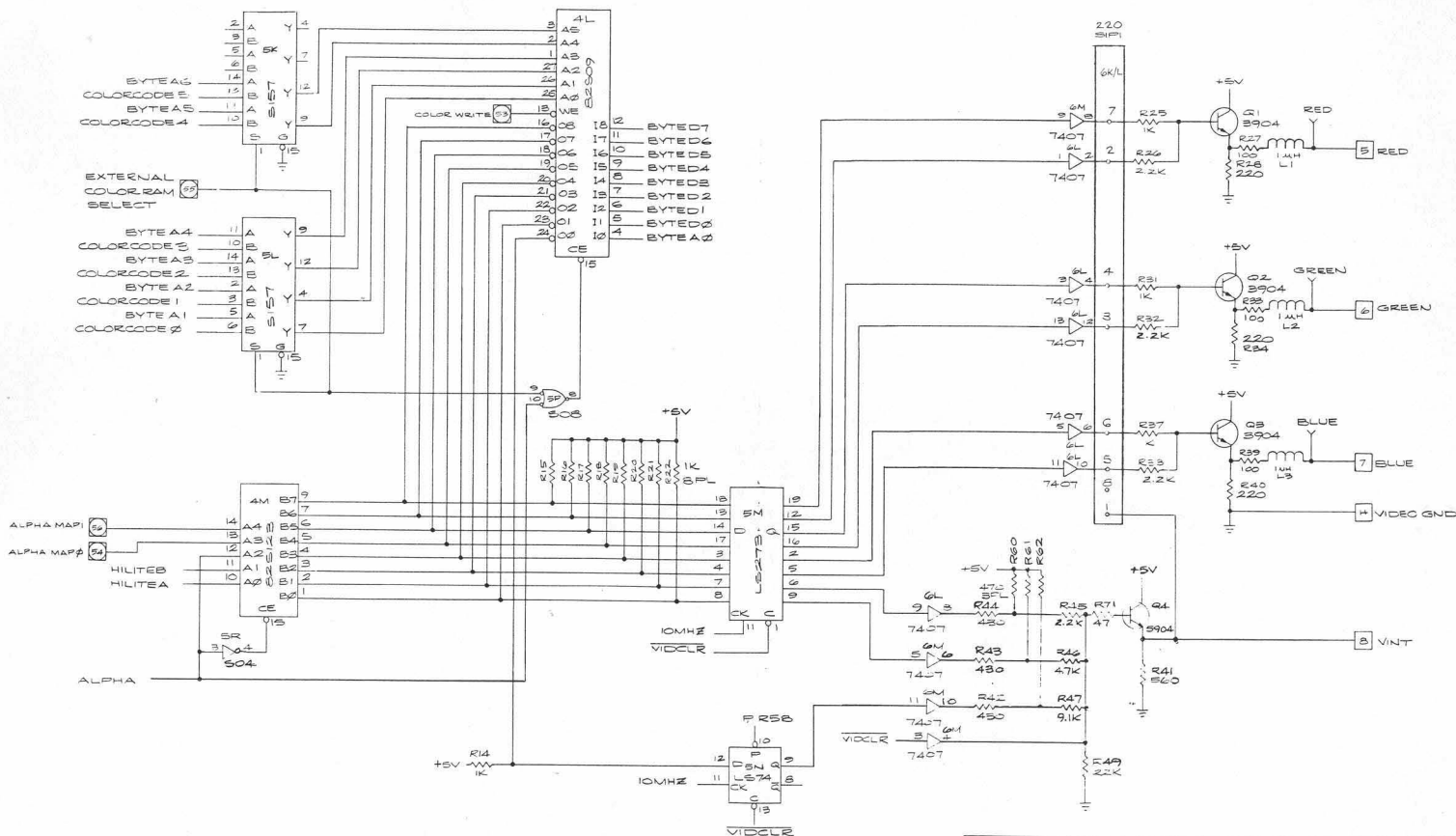
SP-251 Sheet 8B
 1st printing



NOTICE TO ALL PERSONS RECEIVING THIS DRAWING
 CONFIDENTIAL. Reproduction forbidden without the specific written permission of Atari, Inc., Sunnyvale, CA. This drawing is not to be conditionally issued, and neither receipt nor possession thereof confers or transfers any right in, or license to use, the subject matter of the drawing or any design or technical information shown therein, nor any right to reproduce this drawing or any part thereof. Except for manufacture by services of Atari, Inc., and for manufacture under the corporation's written license, no right is granted to reproduce this drawing or the subject matter thereof, unless by written agreement with or written permission from the corporation.

I, ROBOT Video PCB



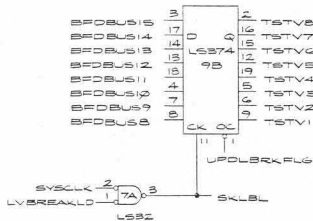
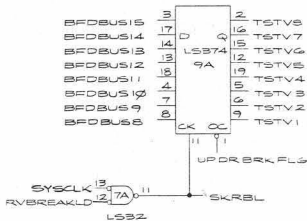
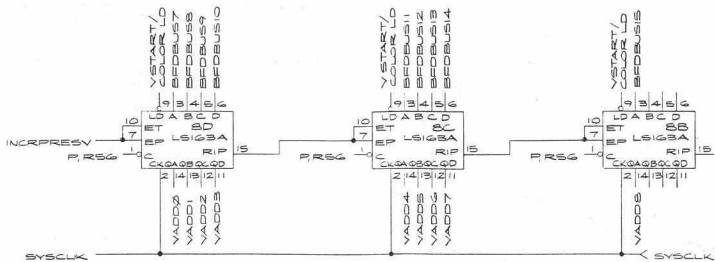


NOTICE TO ALL PERSONS
 RECEIVING THIS DRAWING
 CONFIDENTIAL: Reproduction by third parties without the specific written permission of Atari, Inc., Sunnyvale, CA. This drawing is not to be conditionally issued, and neither the contents nor the drawing or any design or technical information shown therein, nor any right to reproduce this drawing or any part thereof, shall be made or manufactured under the corporation's written license. No right is granted to reproduce this drawing or the subject matter thereof, unless by written agreement with or written permission from the corporation.

I, ROBOT Video PCB



© ATARI INC. 1984

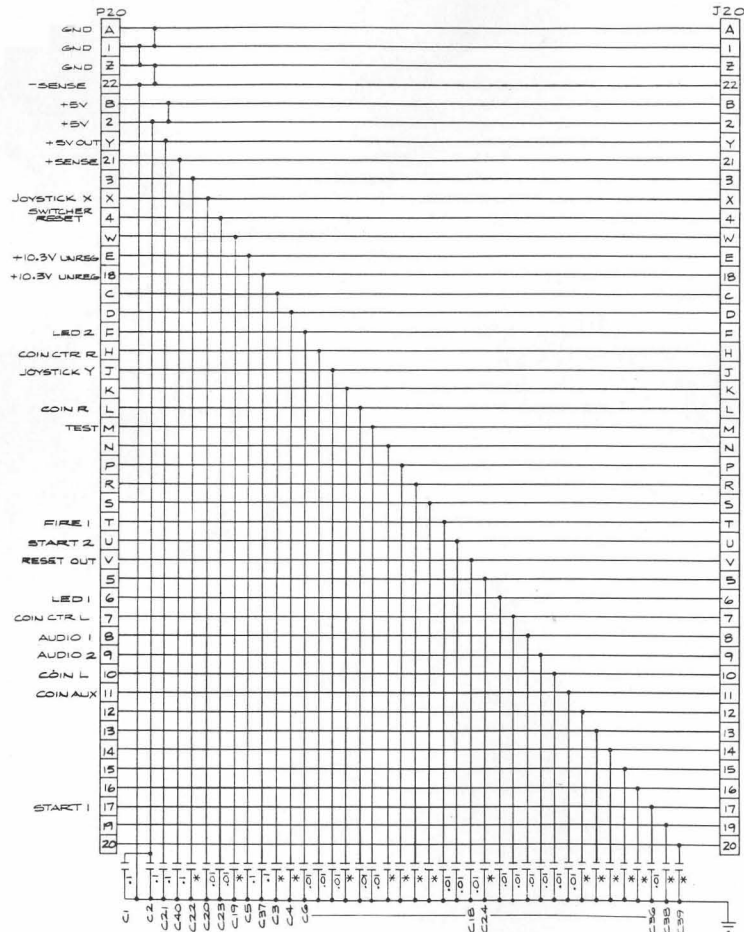


NOTICE TO ALL PERSONS
 RECEIVING THIS DRAWING
 CONFIDENTIAL: Reproduction forbidden
 without the specific written permission of
 Atari, Inc., Sunnyvale, CA. This drawing is on-
 ly conditionally issued, and neither receipt nor
 possession hereof confers or transfers any
 right in, or license to use, the subject matter
 of the drawing or any design or technical informa-
 tion shown thereon, nor any right to reproduce
 this drawing or any part thereof. Except for
 manufacture by vendors of Atari, Inc., and for
 manufacture under the Corporation's written li-
 cense, no right is granted to reproduce this
 drawing or the subject matter thereof, unless
 by written agreement with or written permis-
 sion from the corporation.

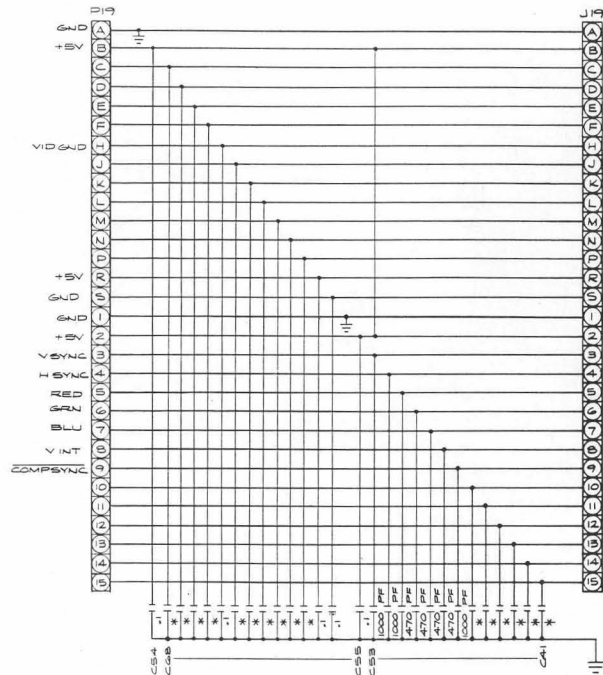
I, ROBOT Video PCB



© ATARI INC. 1984



NOTE: UNLESS OTHERWISE SPECIFIED
 1. CAPACITOR VALUES ARE IN MICROFARADS.
 2. * CAPACITOR NOT LOADED.



NOTICE TO ALL PERSONS RECEIVING THIS DRAWING
 CONFIDENTIAL: Reproduction forbidden without the specific written permission of Atari, Inc. Sunnyvale CA. This drawing is on file conditionally issued, and neither receipt nor possession thereof confers or transfers any right in, or license to use, the subject matter of this drawing or any design or technical information shown thereon, nor any right to reproduce this drawing or any part thereof. Except for manufacture by vendors of Atari, Inc. and for manufacture under the corporation's written license, no right is granted to reproduce this drawing or the subject matter thereof, unless by written agreement with or written permission from the corporation.

I, ROBOT EMI Shield PCB



© ATARI INC. 1984