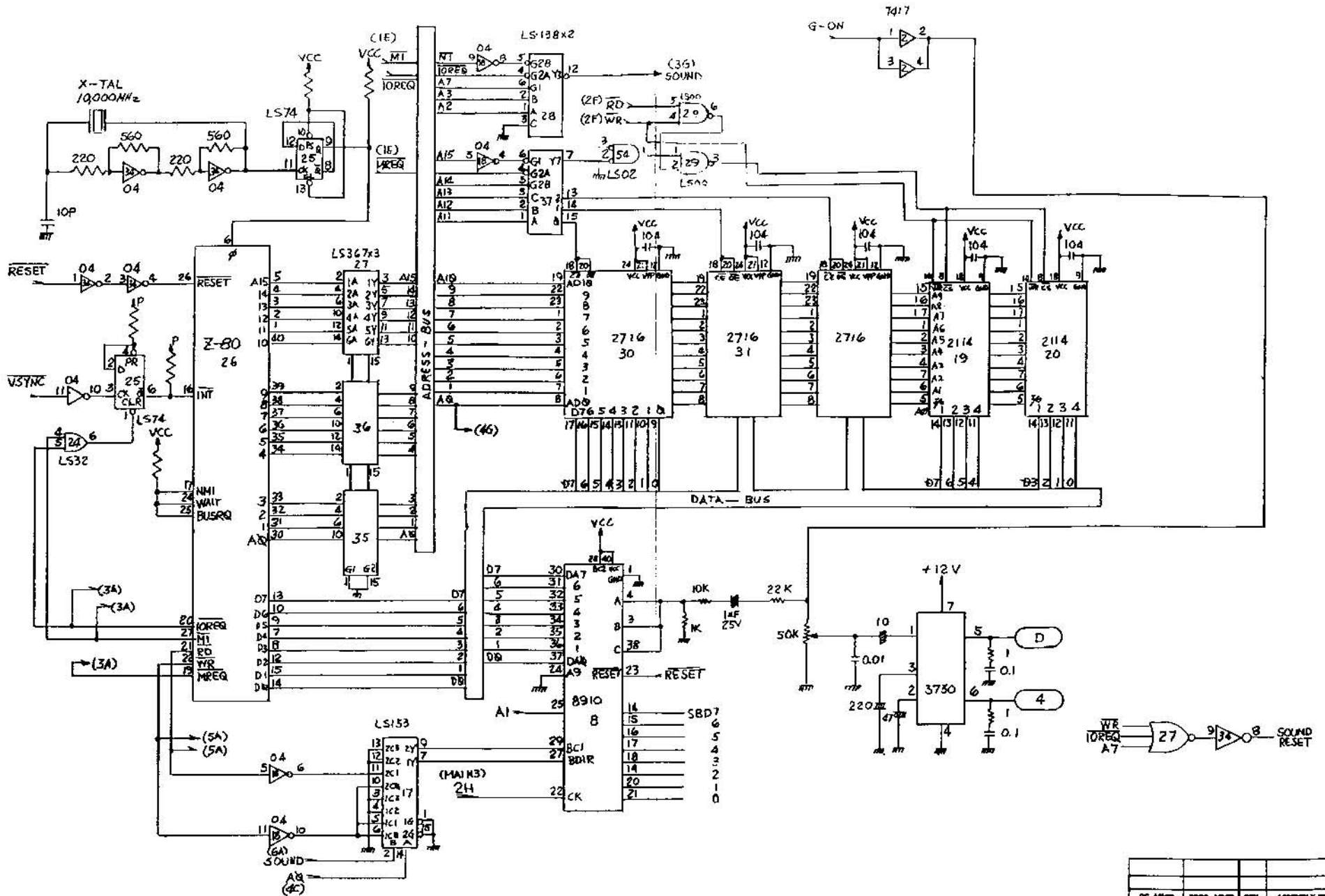


REV. LET.		EDN NO.	REVISION	BY	ANGLES	DPT. MET BANDS	TOLERANCES	NAME		DATE	SCALE	PART NO.	REV.
							UNLESS OTHERWISE SPECIFIED FRACTIONS ± 1/32 DECIMALS 2 PL ± .010 DECIMALS 3 PL ± .005 HOLE ± .001 ANGLE ± 1/2° DPT. MET BANDS ± .5	CONFORM P.C.B. ASSY H701A		10-14-81	2X	50330020	1-0F2



TOLERANCES				DATE	
Unless Otherwise Specified				REV.	BY
FRACTIONS	± 1/8"	DATE	SCALE	PART NO.	REV.
DECIMALS 3 PL.	± .015"	REV.	HEAT TREAT.	50330020	
DECIMALS 2 PL.	± .005"	DATE	FINISH		
HOLE	± .001"	SCALE			
ANGLE	± 1/2°	DATE			
DRY. NET DIMS	± .005"	BY			

