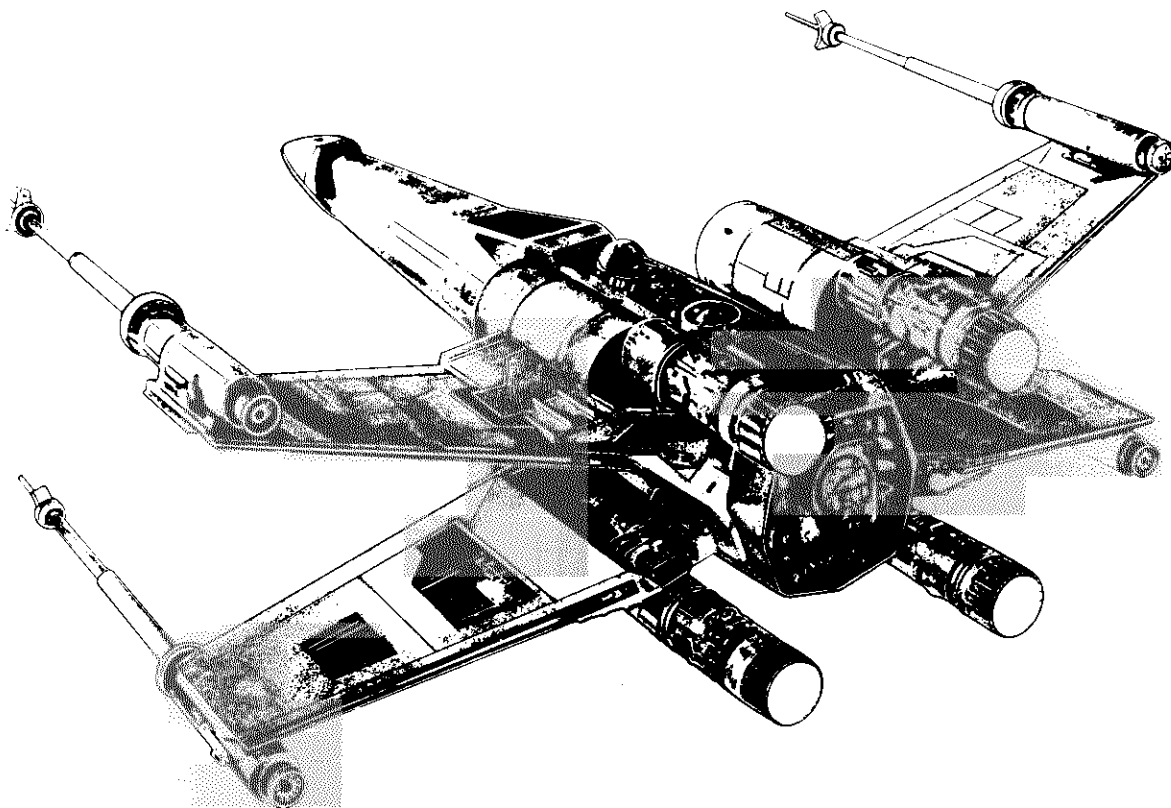


NOTE

This staple temporarily holds the schematic package together. Remove the staple before using these schematics.



Schematic Package Supplement to


**STAR
WARS***

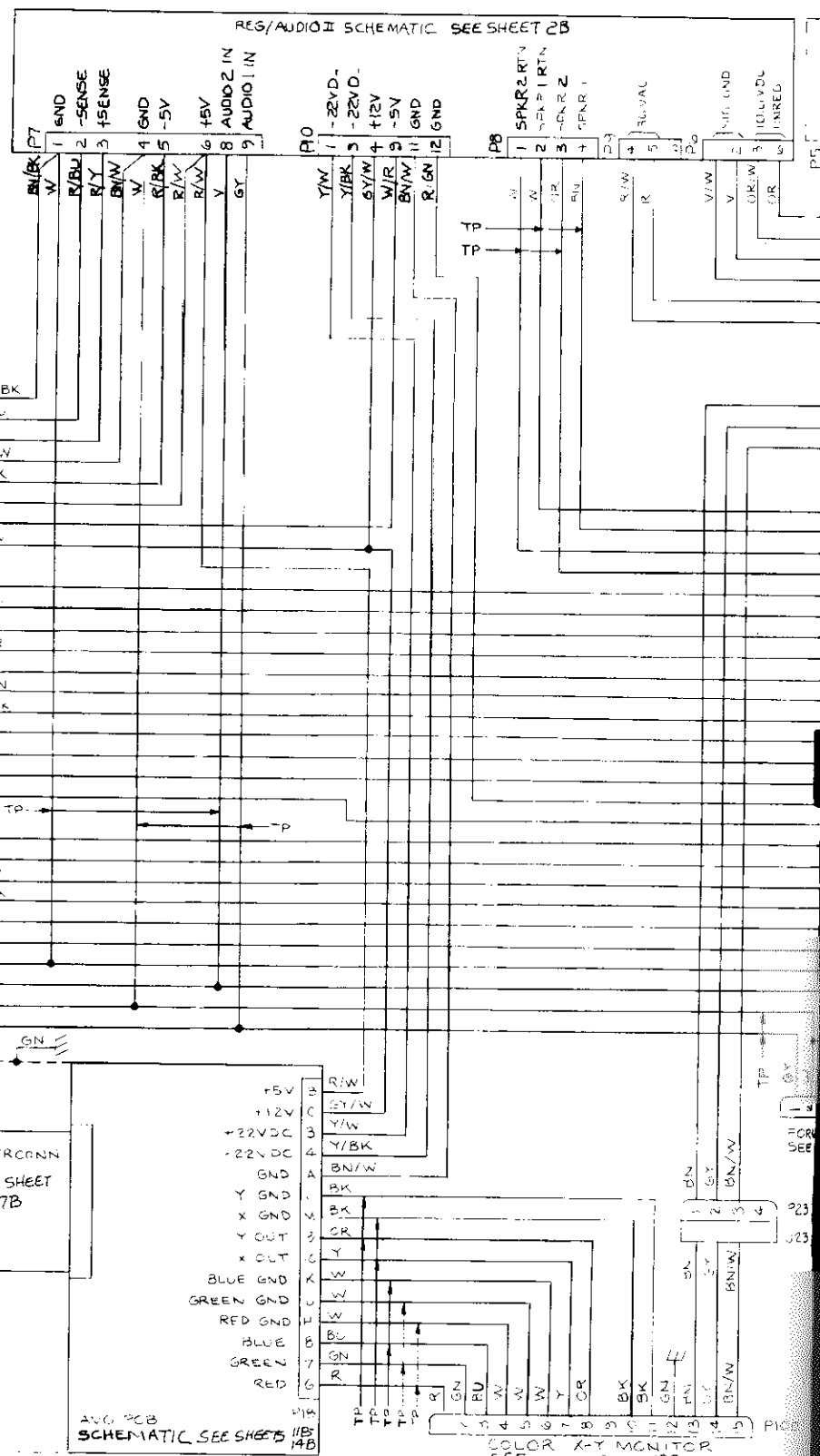
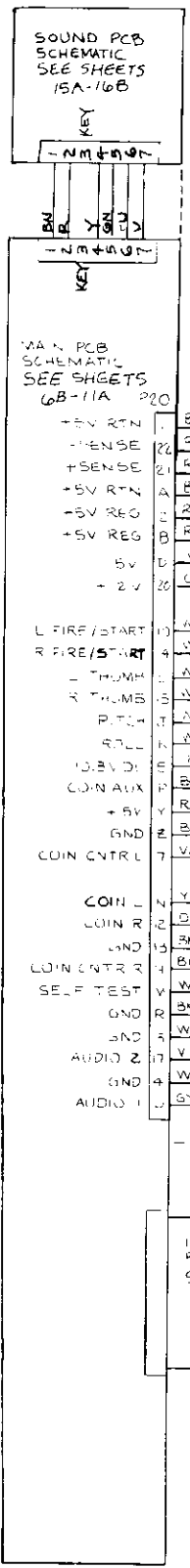
Operators Manual

*Trademarks of Lucasfilm, Ltd. used by Atari, Inc. under license.

6M



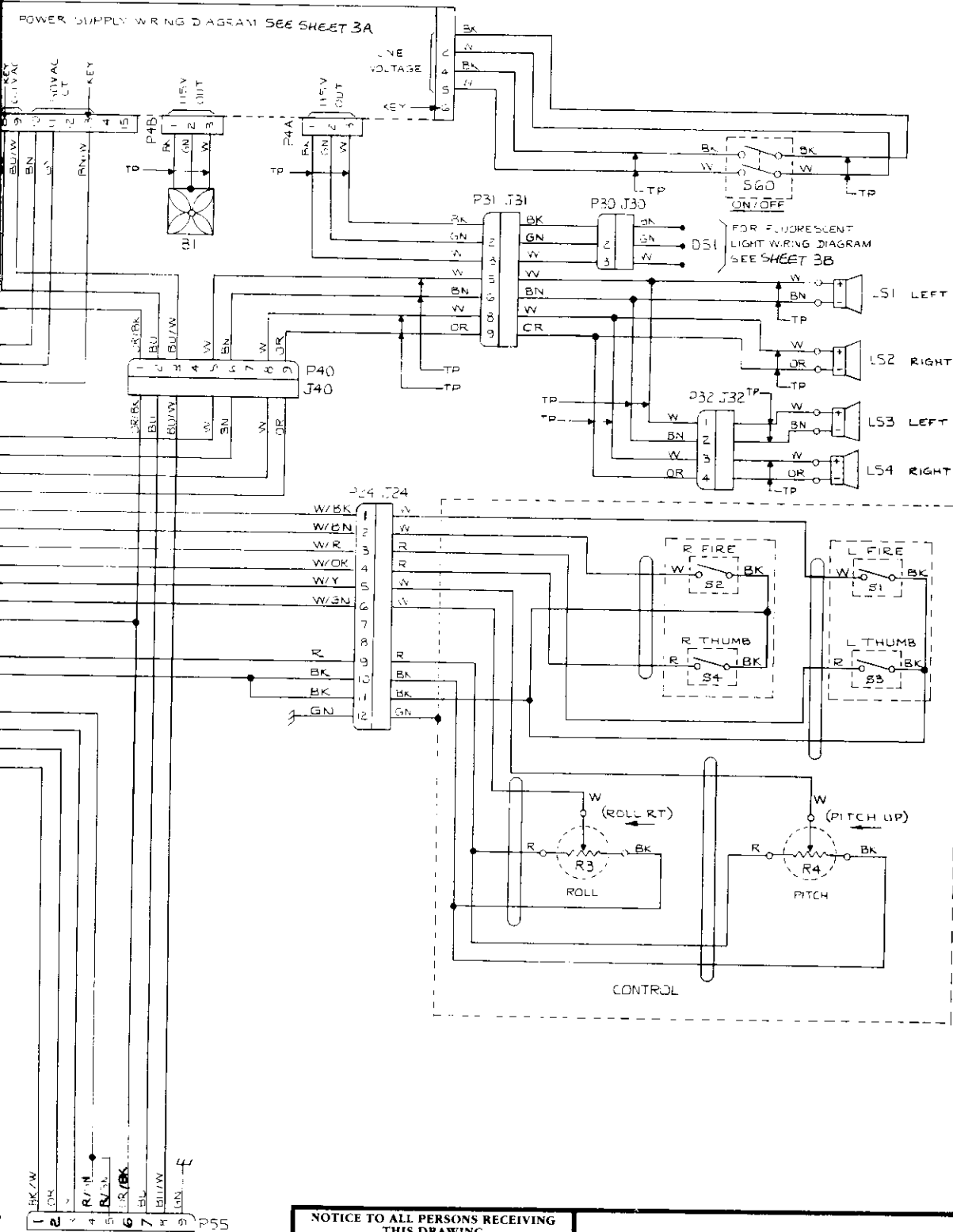
 A Warner Communications Company



INTERCONN
PCB
SEE SHEET
17B

AUG PCB
SCHEMATIC SEE SHEETS
11B 11C 11D 11E 11F 11G 11H 11I 11J 11K 11L 11M 11N 11O 11P 11Q 11R 11S 11T 11U 11V 11W 11X 11Y 11Z

COLOR X-Y MONITOR
SEE SHEET 18A + 18B



FOR FLUORESCENT LIGHT WIRING DIAGRAM SEE SHEET 3B

NOTICE TO ALL PERSONS RECEIVING THIS DRAWING

CONFIDENTIAL: Reproduction forbidden without the specific written permission of Atari, Inc., Sunnyvale, CA. This drawing is only conditionally issued, and neither receipt nor possession thereof confers or transfers any right in, or license to use, the subject matter of the drawing or any design or technical information shown thereon, nor any right to reproduce this drawing or any part thereof. Except for manufacture by vendors of Atari, Inc., and for manufacture under the corporation's written license, no right is granted to reproduce this drawing or the subject matter thereof, unless by written agreement with or written permission from the corporation.

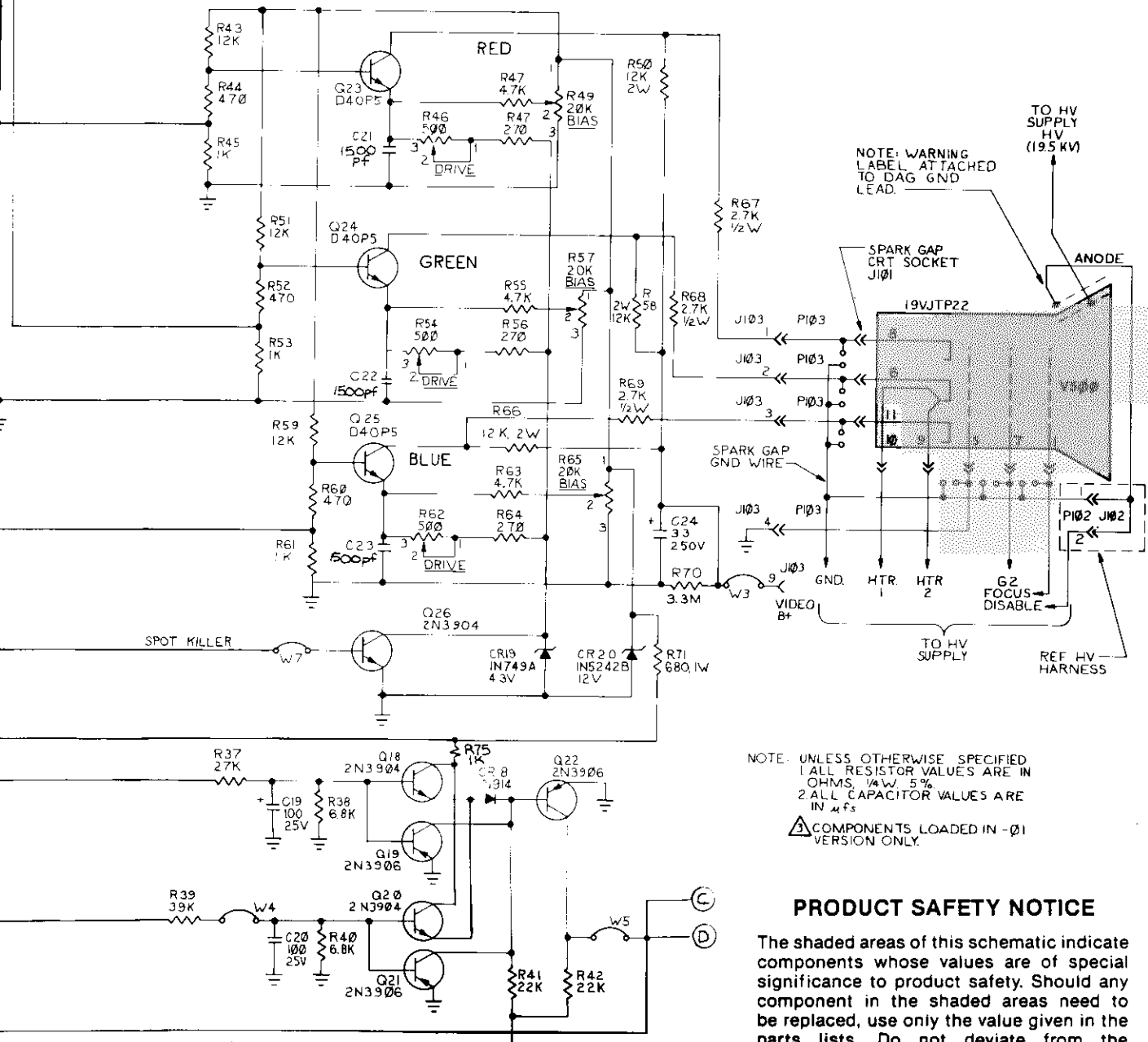
STAR WARS Cockpit Main Wiring Diagram



A Warner Communications Company

© ATARI INC. 1983

SP-225



NOTE: WARNING LABEL ATTACHED TO DAG GND LEAD.

NOTE: UNLESS OTHERWISE SPECIFIED
 1. ALL RESISTOR VALUES ARE IN OHMS, 1/4W, 5%
 2. ALL CAPACITOR VALUES ARE IN μ f's
 ⚠ COMPONENTS LOADED IN -01 VERSION ONLY.

PRODUCT SAFETY NOTICE

The shaded areas of this schematic indicate components whose values are of special significance to product safety. Should any component in the shaded areas need to be replaced, use only the value given in the parts lists. Do not deviate from the resistance, wattage, and voltage values shown.

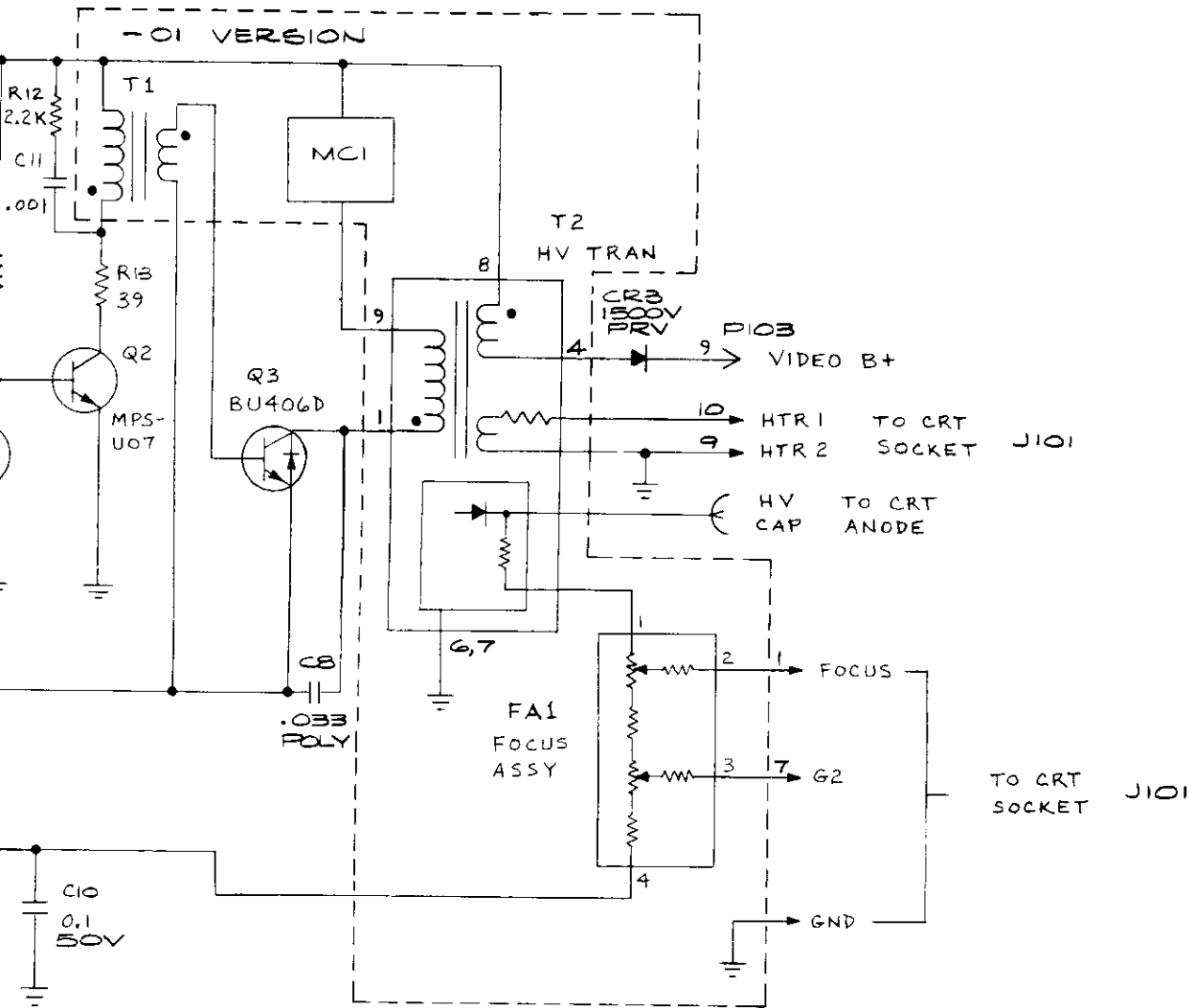
NOTICE TO ALL PERSONS RECEIVING THIS DRAWING
 CONFIDENTIAL. Reproduction forbidden without the specific written permission of Atari, Inc., Sunnyvale, CA. This drawing is only conditionally issued, and neither receipt nor possession thereof confers or transfers any right in, or license to use, the subject matter of the drawing or any design or technical information shown thereon, nor any right to reproduce this drawing or any part thereof. Except for manufacture by vendors of Atari, Inc., and for manufacture under the corporation's written license, no right is granted to reproduce this drawing or the subject matter thereof, unless by written agreement with or written permission from the corporation.

STAR WARS Color X-Y Deflection PCB



A Warner Communications Company

© ATARI INC. 1983



NOTE: UNLESS OTHERWISE SPECIFIED -

1. ALL RESISTOR VALUES IN OHMS, 1/4W, 5%
2. ALL CAPACITORS ARE μ f.

NOTICE TO ALL PERSONS RECEIVING THIS DRAWING

CONFIDENTIAL: Reproduction forbidden without the specific written permission of Atari, Inc., Sunnyvale, CA. This drawing is only conditionally issued, and neither receipt nor possession thereof confers or transfers any right in, or license to use, the subject matter of the drawing or any design or technical information shown thereon, nor any right to reproduce this drawing or any part thereof. Except for manufacture by vendors of Atari, Inc., and for manufacture under the corporation's written license, no right is granted to reproduce this drawing or the subject matter thereof, unless by written agreement with or written permission from the corporation.

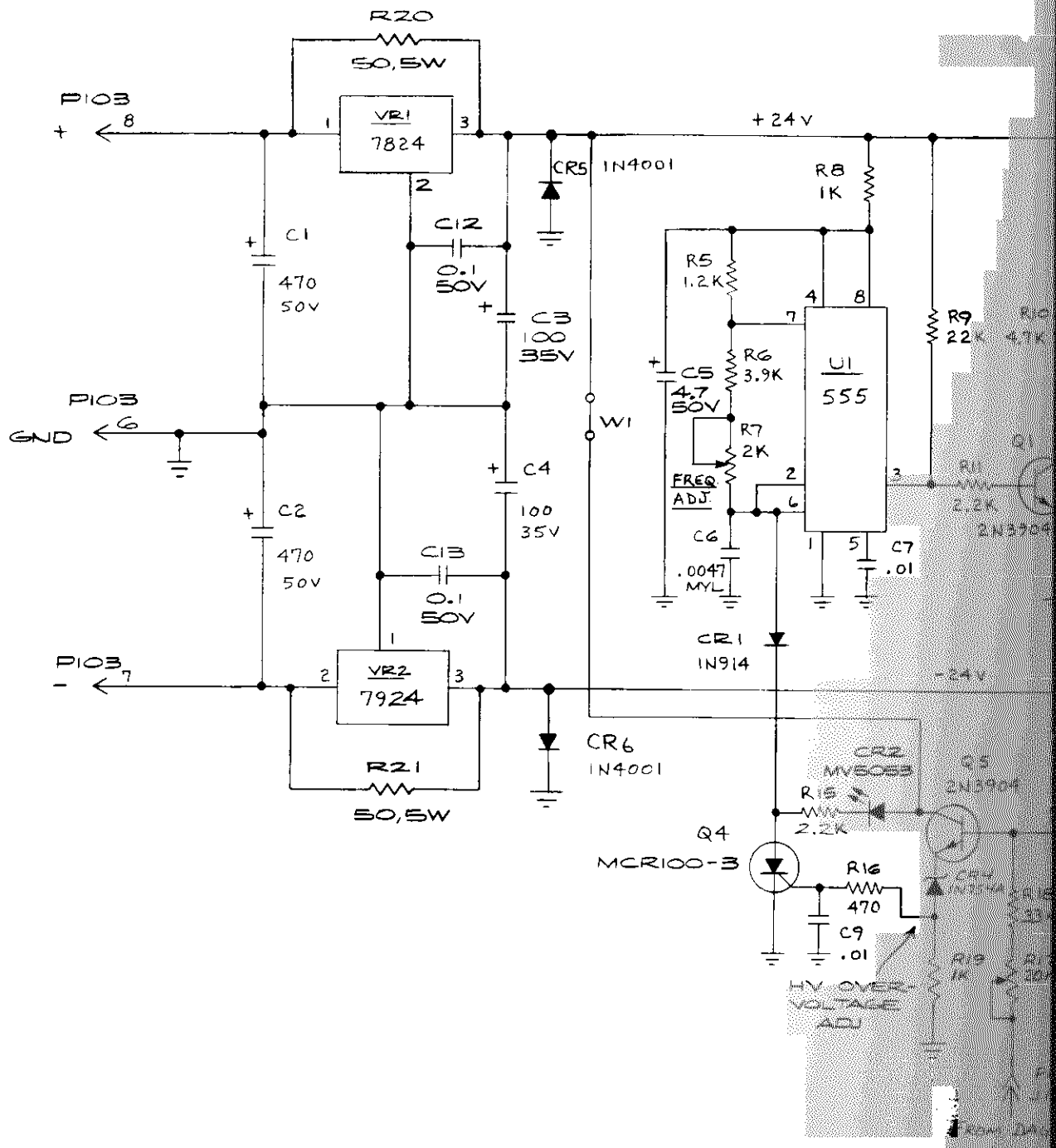
STAR WARS Color X-Y High-Voltage PCB



A Warner Communications Company

© ATARI INC. 1983

SP-225 Sheet 18A
1st printing



P3

- 1
- 2
- 3
- 4
- 5
- 6
- 7
- 8
- 9
- 10
- 11
- 12
- 13
- 14
- 15
- 16
- 17
- 18
- 19
- 20
- 21
- 22
- 23
- 24
- 25
- 26
- 27
- 28
- 29
- 30
- 31
- 32
- 33
- 34
- 35
- 36
- 37
- 38
- 39
- 40
- 41
- 42
- 43

NOTICE TO ALL PERSONS RECEIVING THIS DRAWING

CONFIDENTIAL: Reproduction forbidden without the specific written permission of Atari, Inc., Sunnyvale, CA. This drawing is only conditionally issued, and neither receipt nor possession thereof confers or transfers any right in, or license to use, the subject matter of the drawing or any design or technical information shown thereon, nor any right to reproduce this drawing or any part thereof. Except for manufacture by vendors of Atari, Inc., and for manufacture under the corporation's written license, no right is granted to reproduce this drawing or the subject matter thereof, unless by written agreement with or written permission from the corporation.

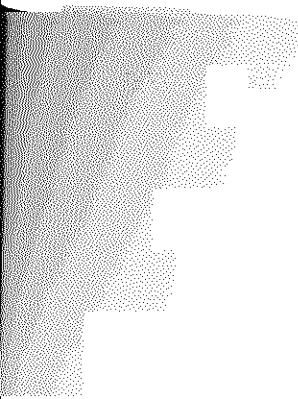
STAR WARS Interconnect PCB



 A Warner Communications Company

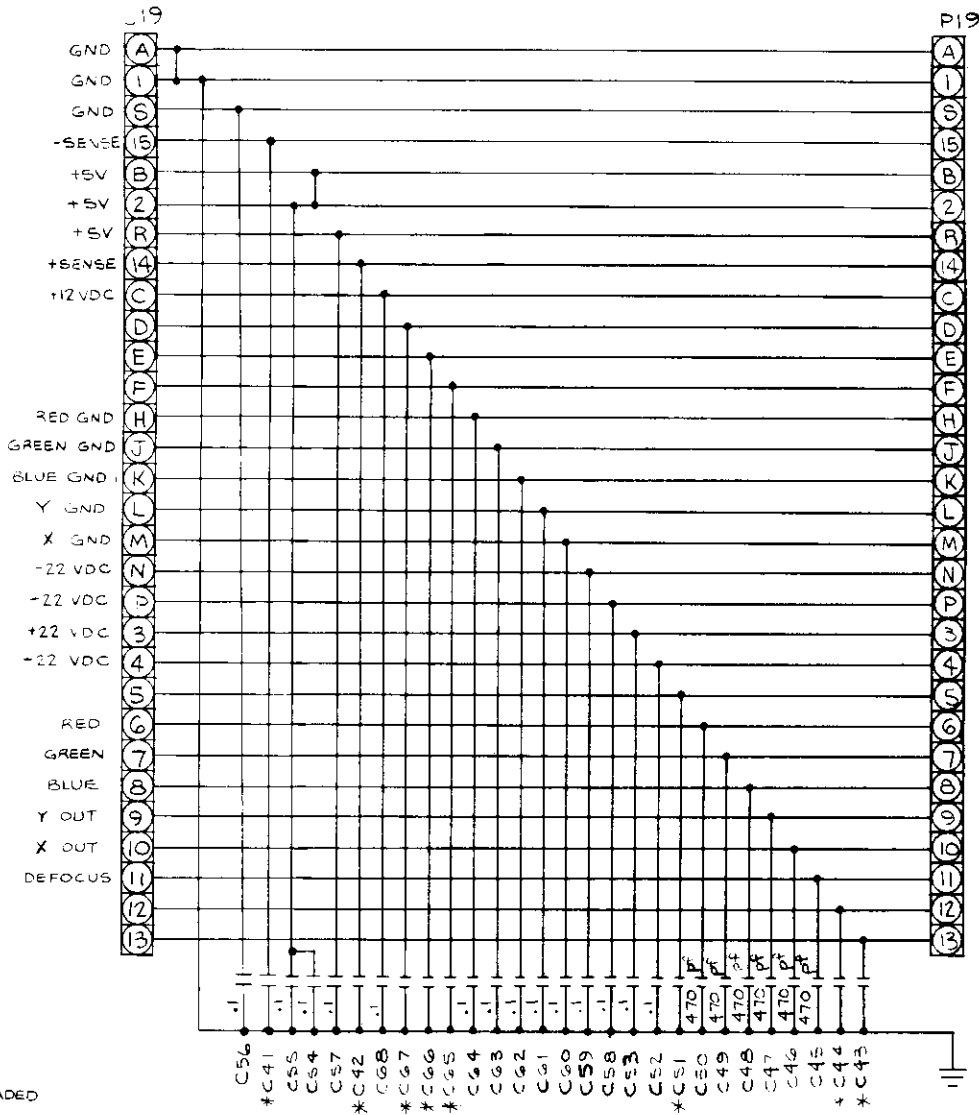
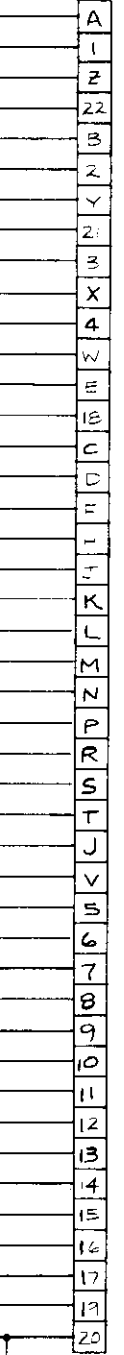
© ATARI INC. 1983

**SP-225 Sheet 17B
1st printing**



P1	P2
1	1
2	2
3	3
4	4
5	5
6	6
7	7
8	8
9	9
10	10
11	11
12	12
13	13
14	14
15	15
16	16
17	17
18	18
19	19
20	20
21	21
22	22
23	23
24	24
25	25
26	26
27	27
28	28
29	29
30	30
31	31
32	32
33	33
34	34
35	35
36	36
37	37
38	38
39	39
40	40
41	41
42	42
43	43

J20



NOTE:
1. * = NOT LOADED

NOTICE TO ALL PERSONS RECEIVING THIS DRAWING

CONFIDENTIAL: Reproduction forbidden without the specific written permission of Atari, Inc., Sunnyvale, CA. This drawing is only conditionally issued, and neither receipt nor possession thereof confers or transfers any right in, or license to use, the subject matter of the drawing or any design or technical information shown thereon, nor any right to reproduce this drawing or any part thereof. Except for manufacture by vendors of Atari, Inc., and for manufacture under the corporation's written license, no right is granted to reproduce this drawing or the subject matter thereof, unless by written agreement with or written permission from the corporation.

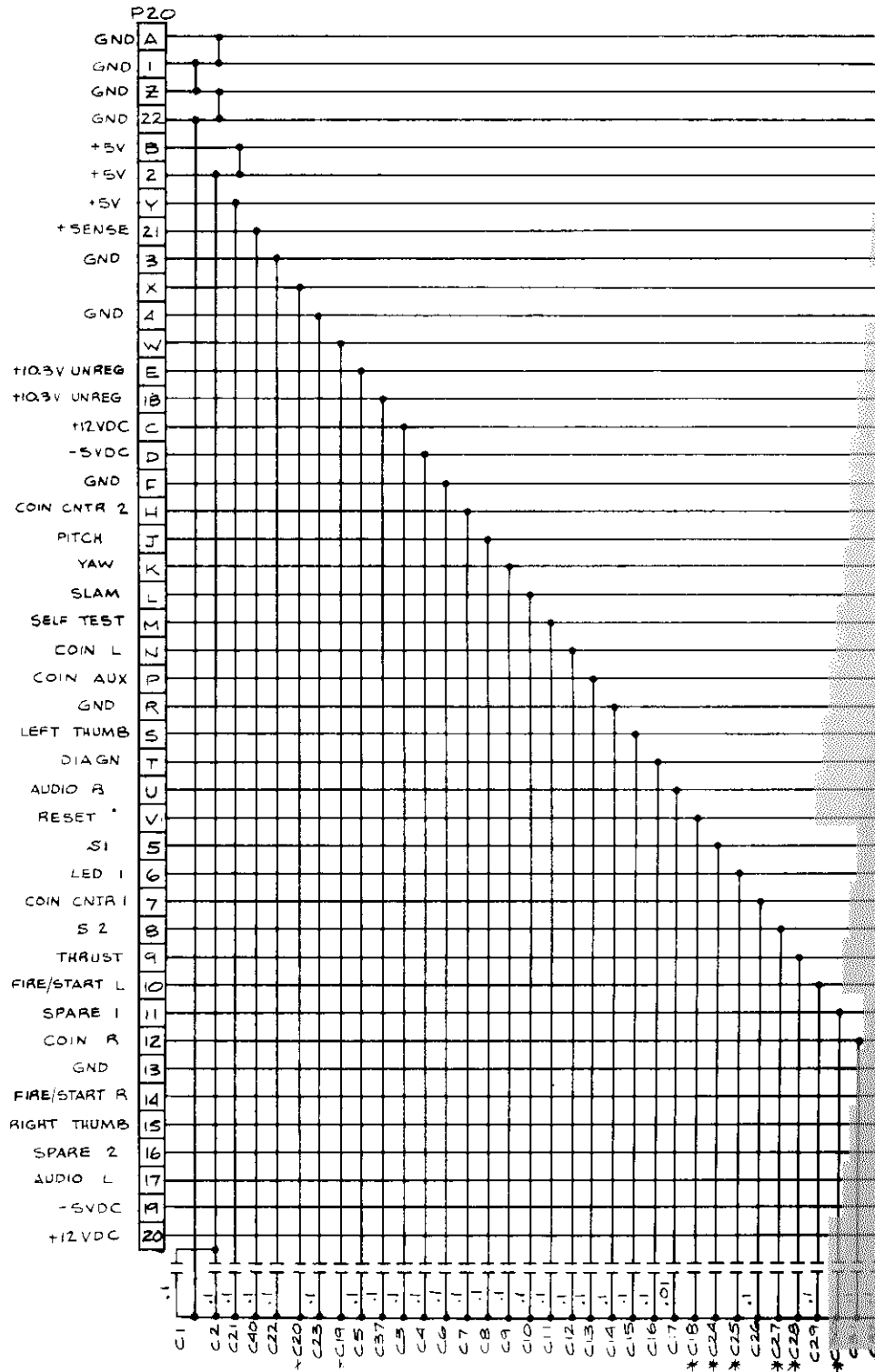
STAR WARS EMI Shield PCB



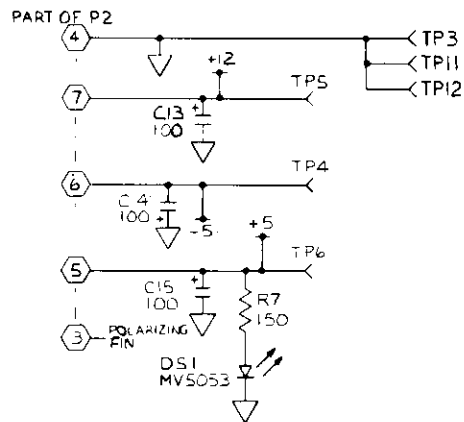
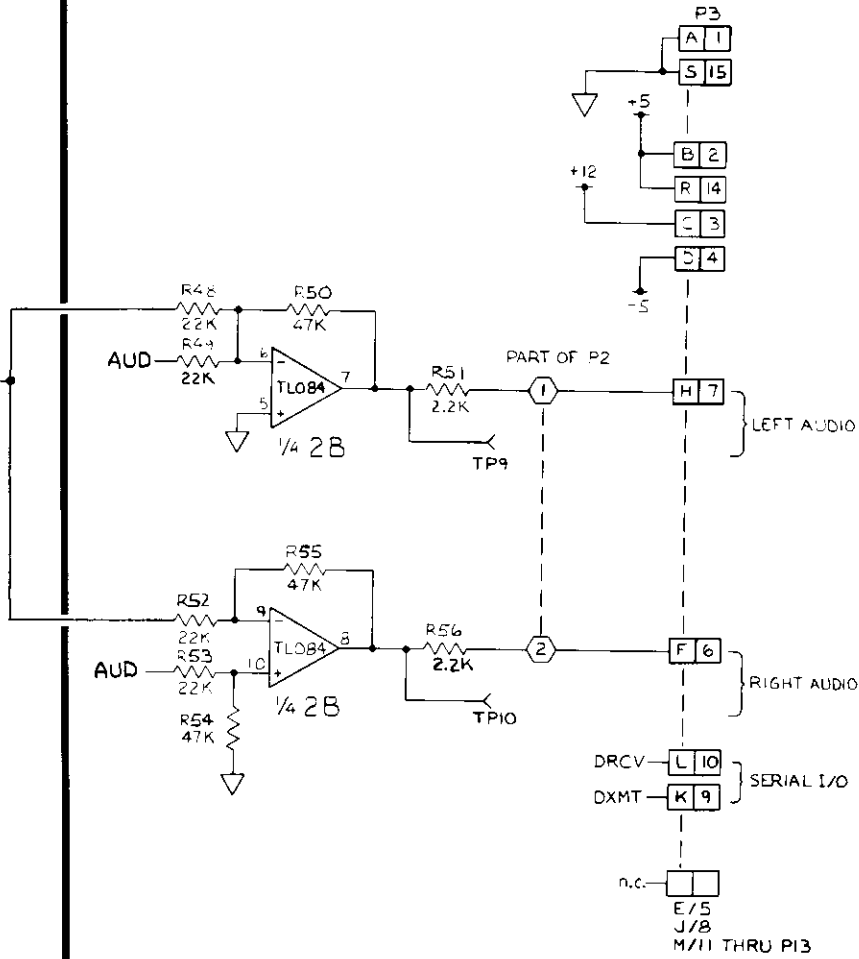
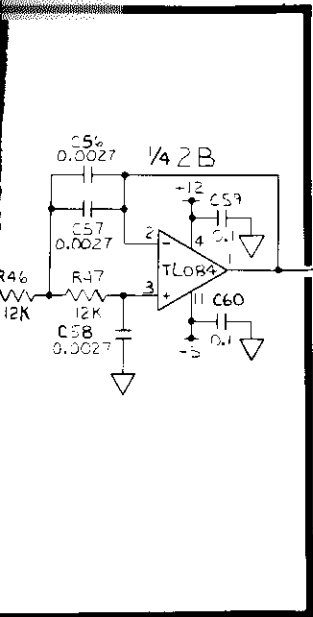
A Warner Communications Company

© ATARI INC. 1983

SP-225 Sheet 17A
1st printing



Output and Summing Amplifiers



NOTICE TO ALL PERSONS RECEIVING THIS DRAWING

CONFIDENTIAL: Reproduction forbidden without the specific written permission of Atari, Inc., Sunnyvale, CA. This drawing is only conditionally issued, and neither receipt nor possession thereof confers or transfers any right in, or license to use, the subject matter of the drawing or any design or technical information shown thereon, nor any right to reproduce this drawing or any part thereof. Except for manufacture by vendors of Atari, Inc., and for manufacture under the corporation's written license, no right is granted to reproduce this drawing or the subject matter thereof, unless by written agreement with or written permission from the corporation.

STAR WARS Sound PCB

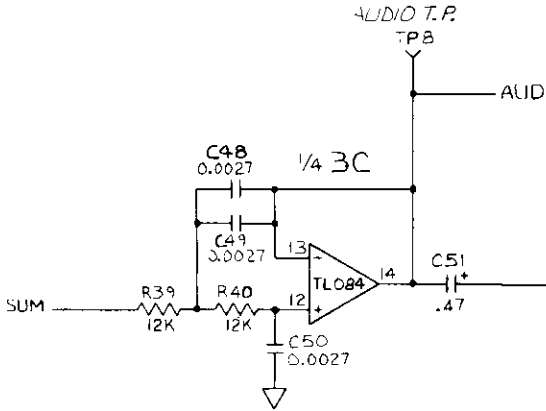


© A Warner Communications Company

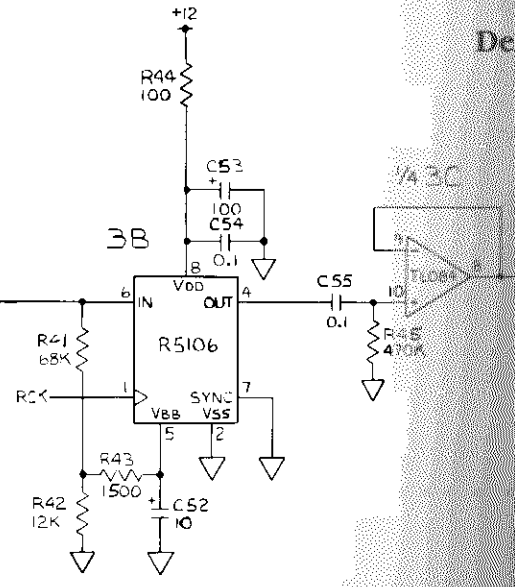
© ATARI INC. 1983

SP-225 Sheet 16B
1st printing

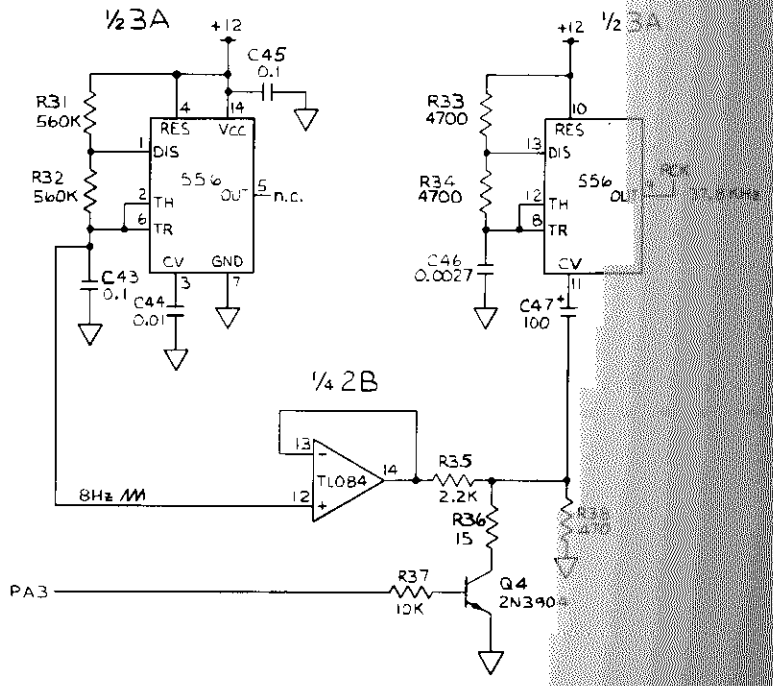
Filter

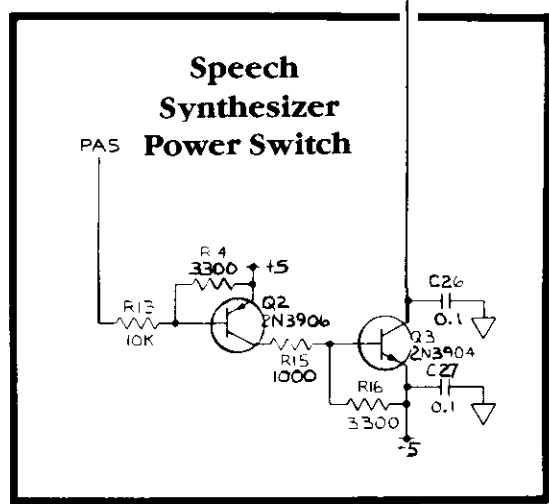
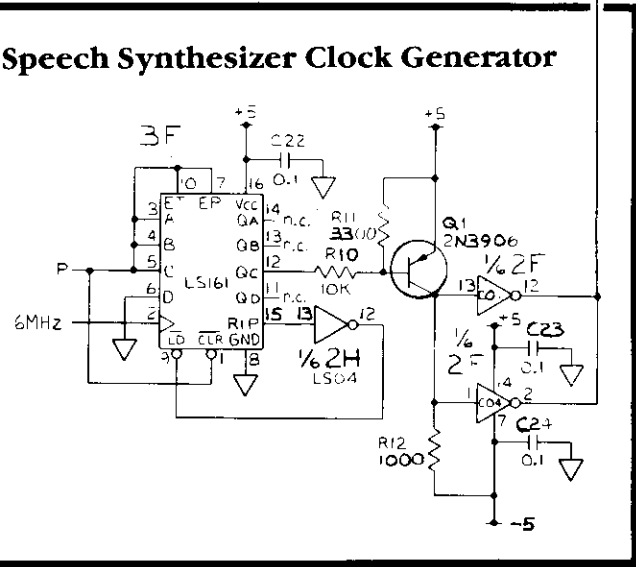
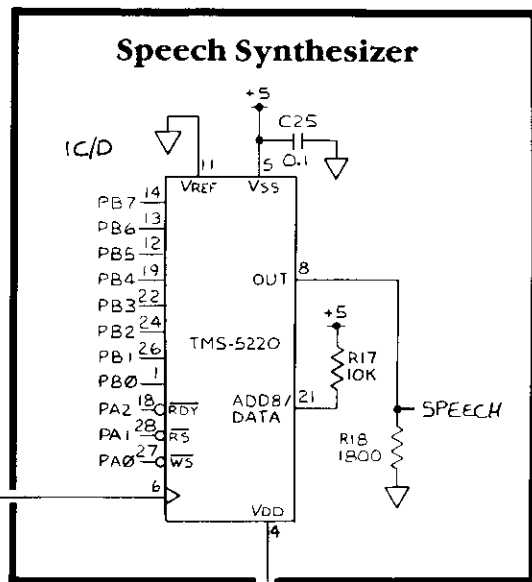
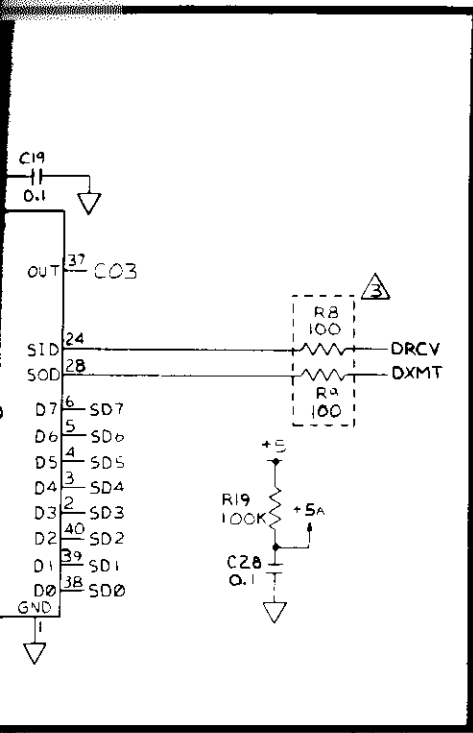


Delay




Delay Clock





NOTICE TO ALL PERSONS RECEIVING THIS DRAWING
 CONFIDENTIAL: Reproduction forbidden without the specific written permission of Atari, Inc., Sunnyvale, CA. This drawing is only conditionally issued, and neither receipt nor possession thereof confers or transfers any right in, or license to use, the subject matter of the drawing or any design or technical information shown thereon, nor any right to reproduce this drawing or any part thereof. Except for manufacture by vendors of Atari, Inc., and for manufacture under the corporation's written license, no right is granted to reproduce this drawing or the subject matter thereof, unless by written agreement with or written permission from the corporation.

STAR WARS Sound PCB

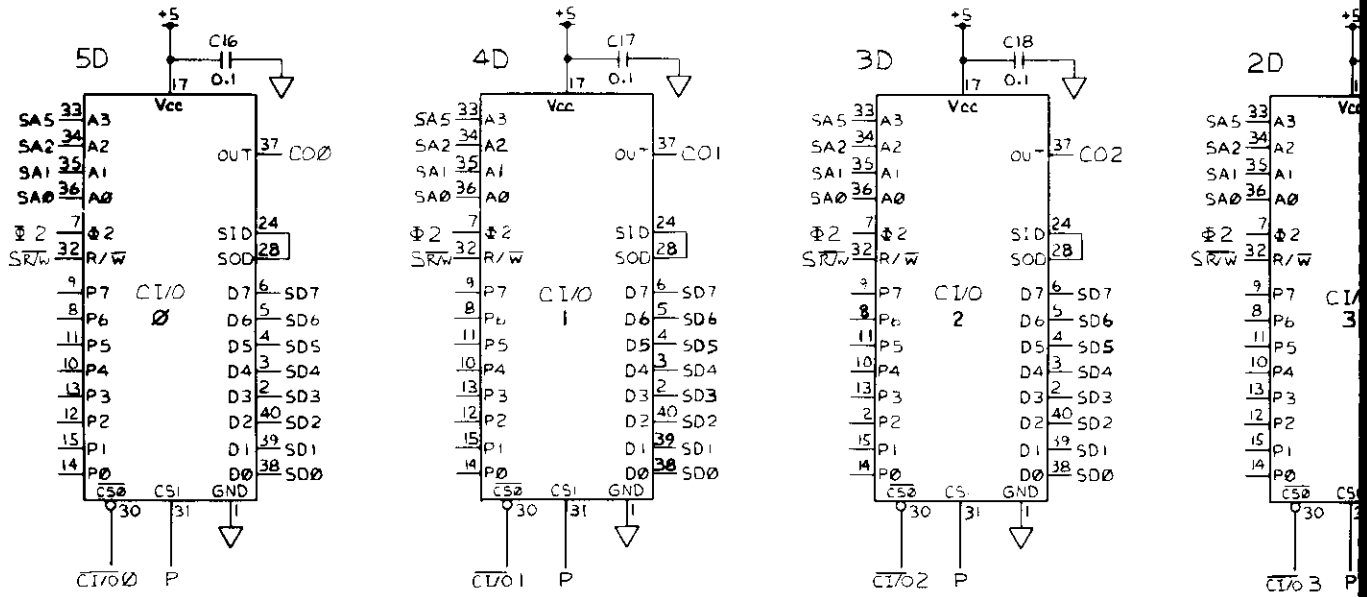


© ATARI INC. 1983

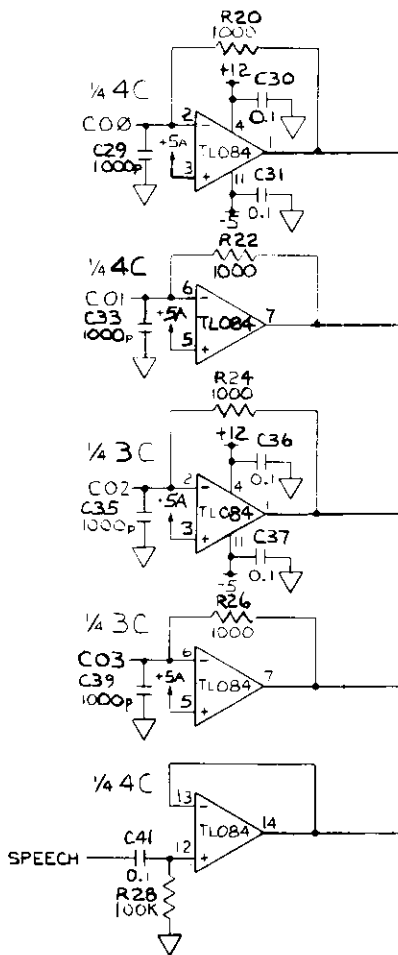
SP-225 Sheet 16A
1st printing

A Warner Communications Company

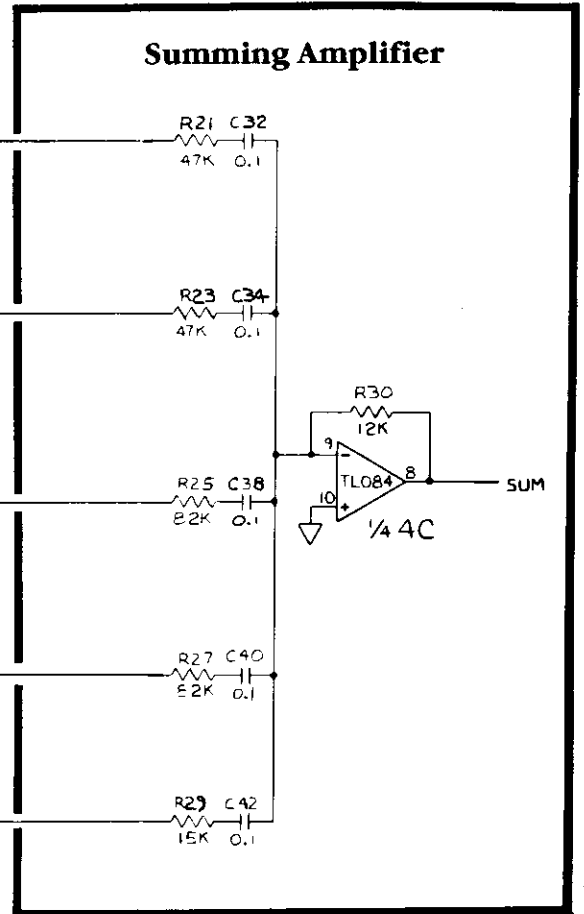
Music and Sound Effects Generators



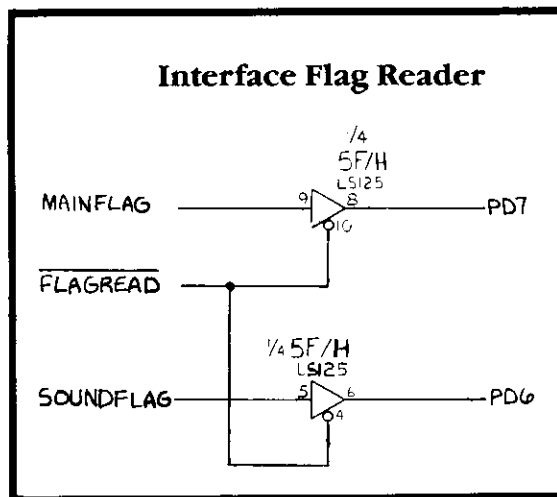
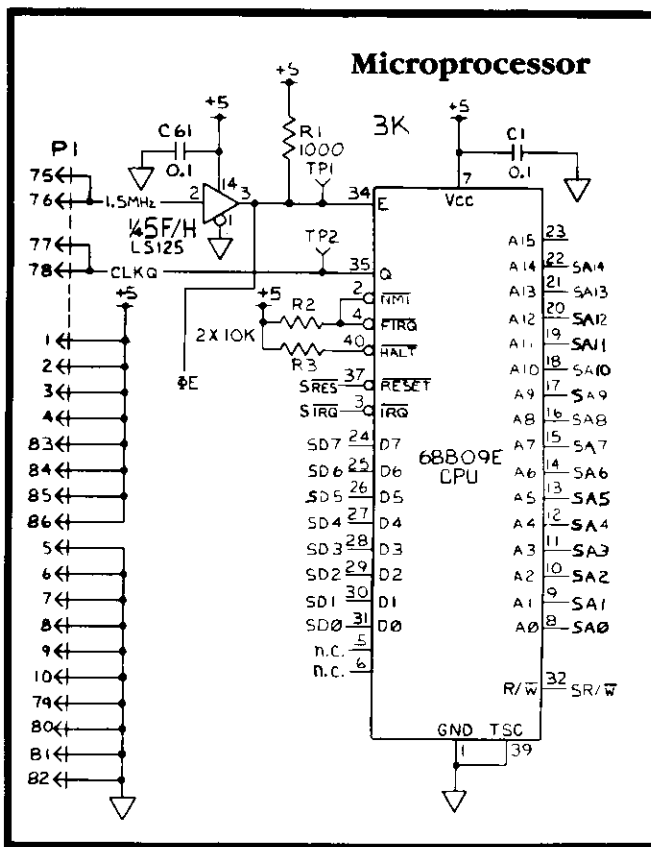
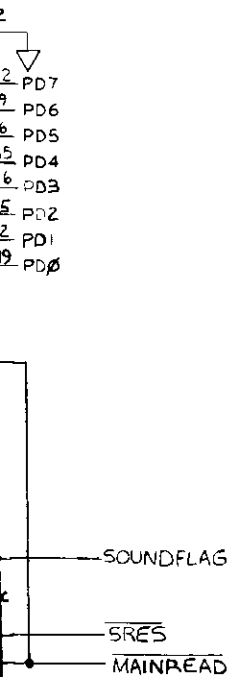
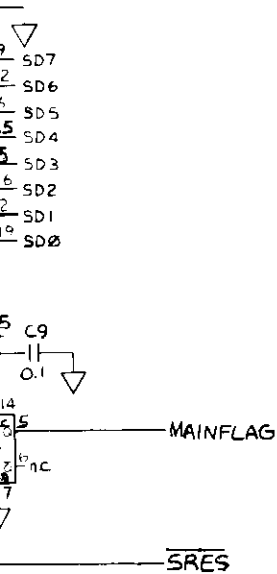
Buffers



Summing Amplifier



face shaking



NOTICE TO ALL PERSONS RECEIVING THIS DRAWING

CONFIDENTIAL: Reproduction forbidden without the specific written permission of Atari, Inc., Sunnyvale, CA. This drawing is only conditionally issued, and neither receipt nor possession thereof confers or transfers any right in, or license to use, the subject matter of the drawing or any design or technical information shown thereon, nor any right to reproduce this drawing or any part thereof. Except for manufacture by vendors of Atari, Inc., and for manufacture under the corporation's written license, no right is granted to reproduce this drawing or the subject matter thereof, unless by written agreement with or written permission from the corporation.

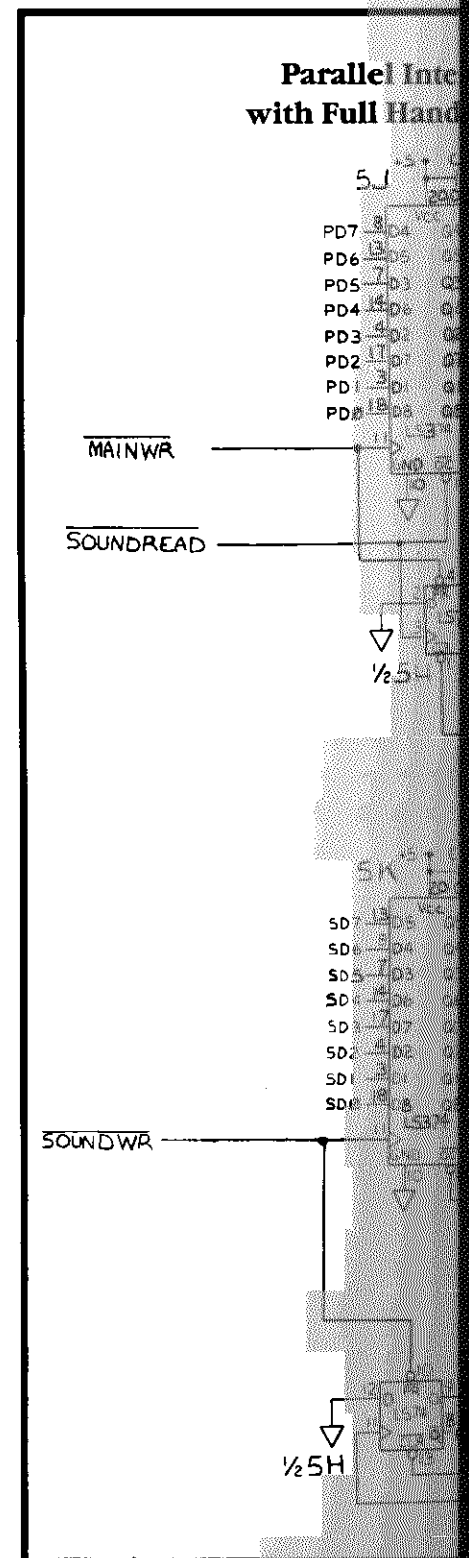
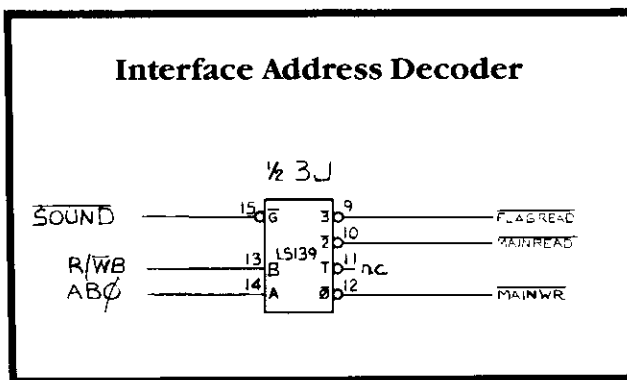
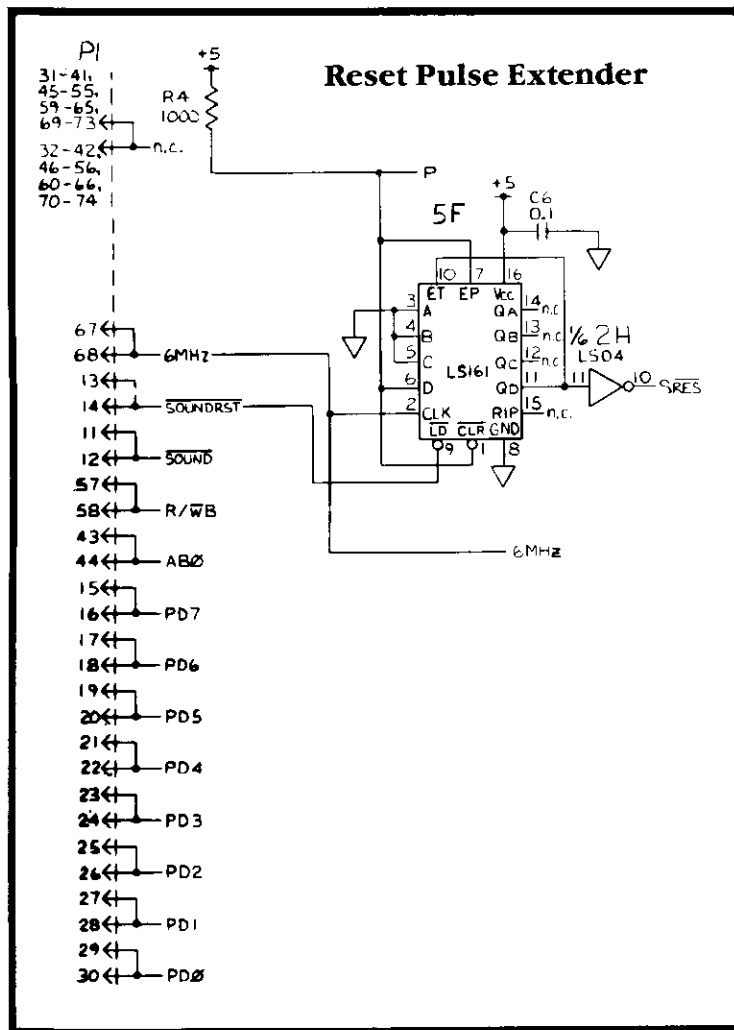
STAR WARS Sound PCB



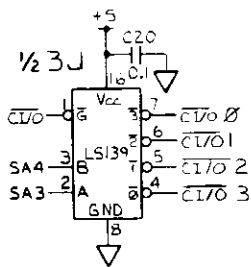
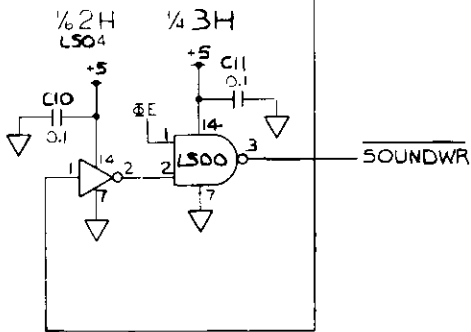
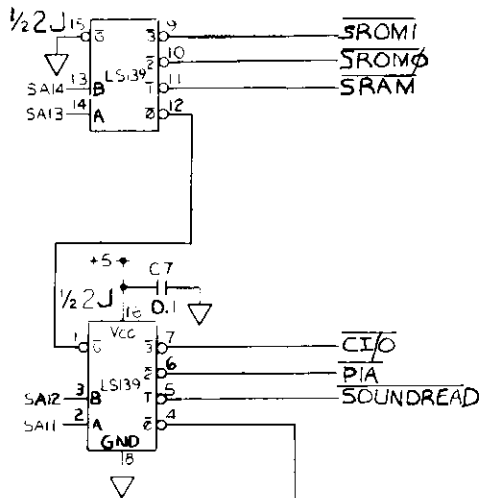
A Warner Communications Company

© ATARI INC. 1983

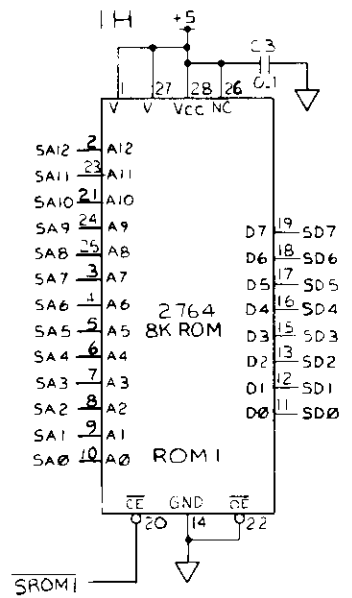
SP-225 Sheet 15A
1st printing



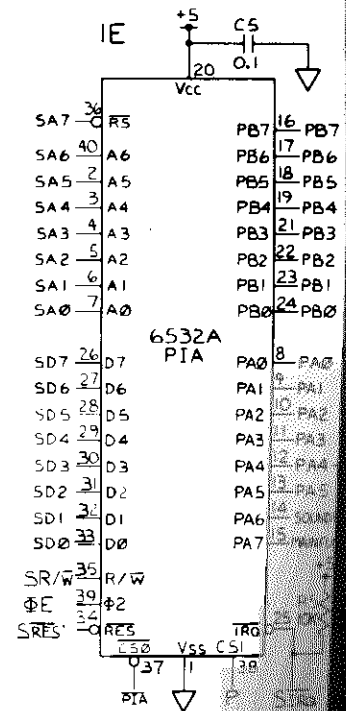
Address Decoders



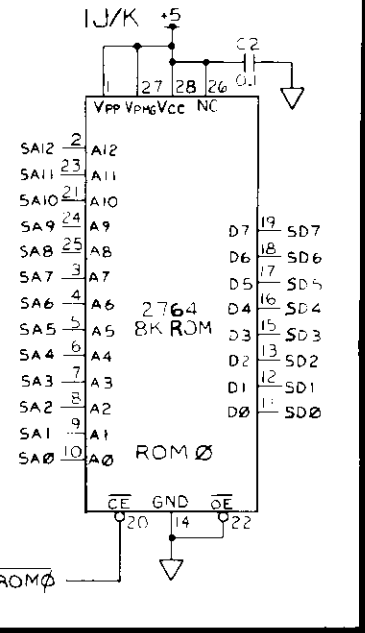
Sound



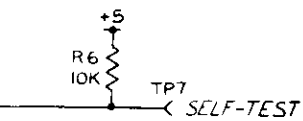
Peripheral Interf



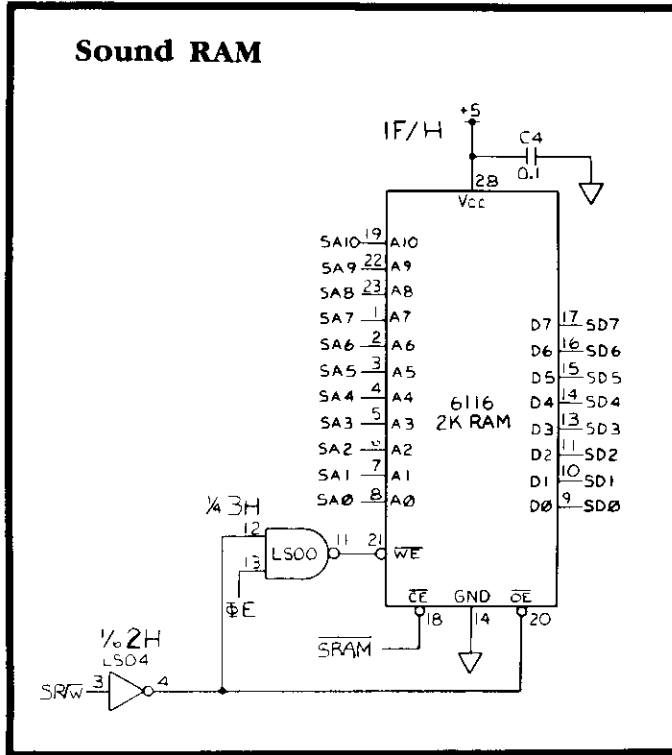
ROM



Adapter



Sound RAM



NOTICE TO ALL PERSONS RECEIVING THIS DRAWING

CONFIDENTIAL. Reproduction forbidden without the specific written permission of Atari, Inc., Sunnyvale, CA. This drawing is only conditionally issued, and neither receipt nor possession thereof confers or transfers any right in, or license to use, the subject matter of the drawing or any design or technical information shown thereon, nor any right to reproduce this drawing or any part thereof. Except for manufacture by vendors of Atari, Inc., and for manufacture under the corporation's written license, no right is granted to reproduce this drawing or the subject matter thereof, unless by written agreement with or written permission from the corporation.

STAR WARS Sound PCB



A Warner Communications Company

© ATARI INC. 1983

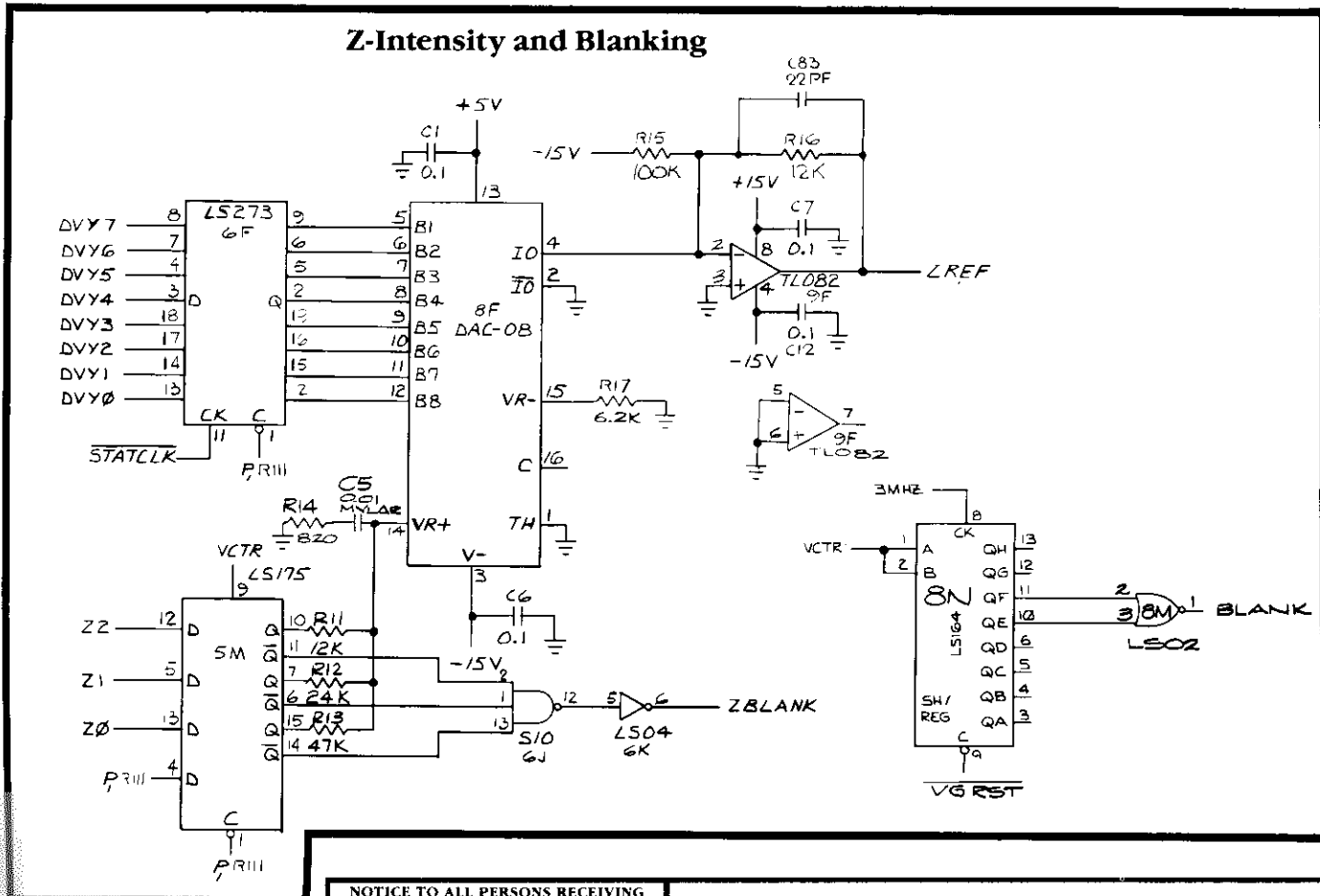
SP-225 Sheet 15B
1st printing

Bipolar Offset Adjustments

Perform the following procedure to adjust the bipolar offset current:

1. Set the game to the Self-Test Mode and select the Bipolar Offset Test Display as described in Chapter 2 of the game manual.
2. Adjust XBIP (R92) and YBIP (R88) so that the displayed-box line width is $\frac{1}{8}$ -inch or less.

Z-Intensity and Blanking



NOTICE TO ALL PERSONS RECEIVING THIS DRAWING

CONFIDENTIAL: Reproduction forbidden without the specific written permission of Atari, Inc., Sunnyvale, CA. This drawing is only conditionally issued, and neither receipt nor possession thereof confers or transfers any right in, or license to use, the subject matter of the drawing or any design or technical information shown thereon, nor any right to reproduce this drawing or any part thereof. Except for manufacture by vendors of Atari, Inc., and for manufacture under the corporation's written license, no right is granted to reproduce this drawing or the subject matter thereof, unless by written agreement with or written permission from the corporation.

STAR WARS Analog Vector-Generator PCB

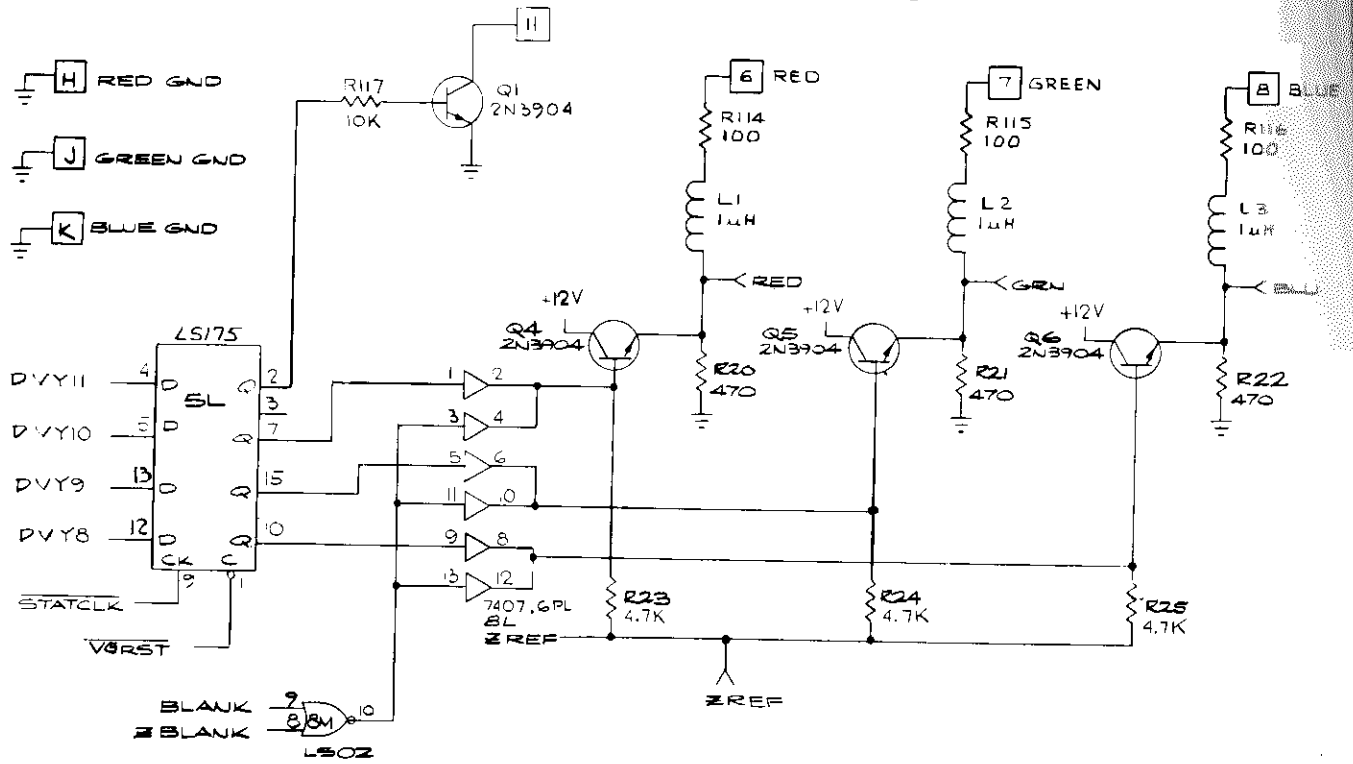


A Warner Communications Company

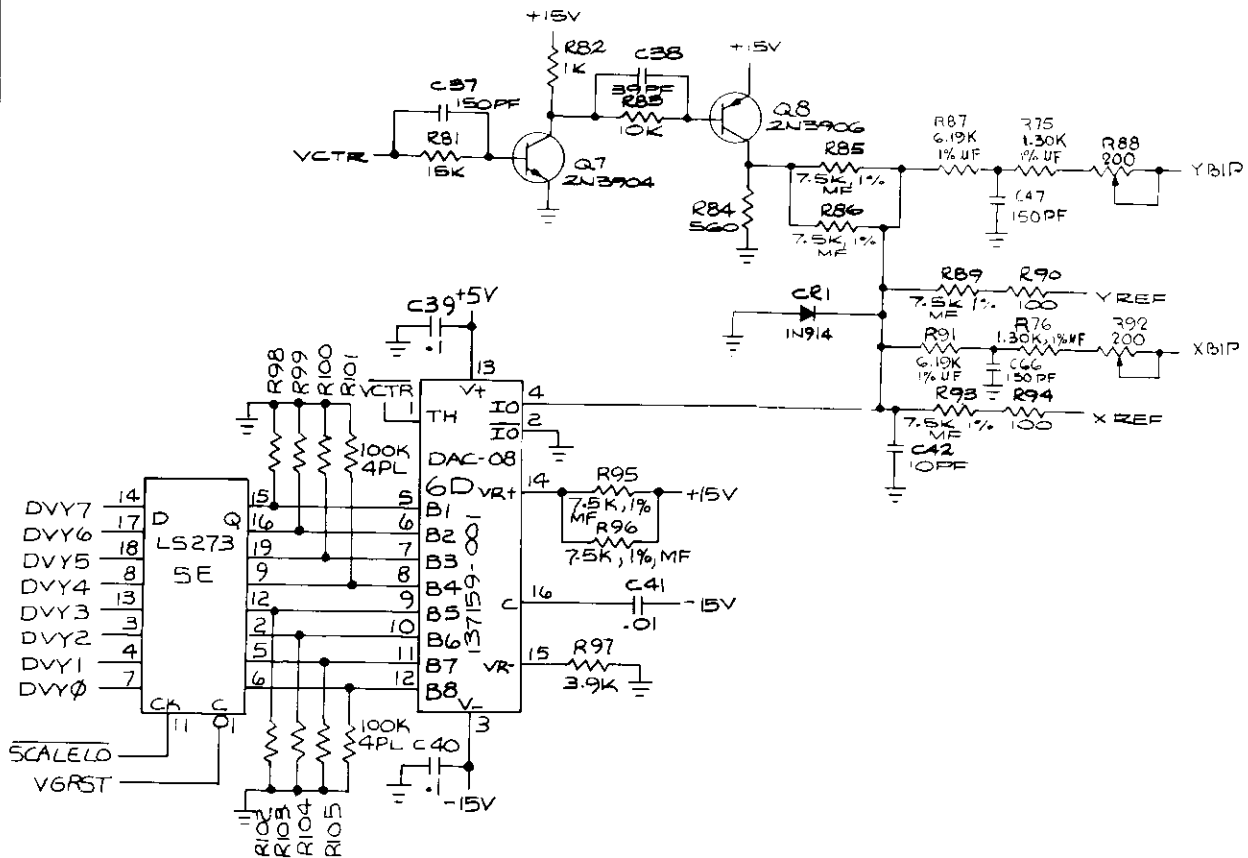
© ATARI INC. 1983

SP-225 Sheet 14B
1st printing

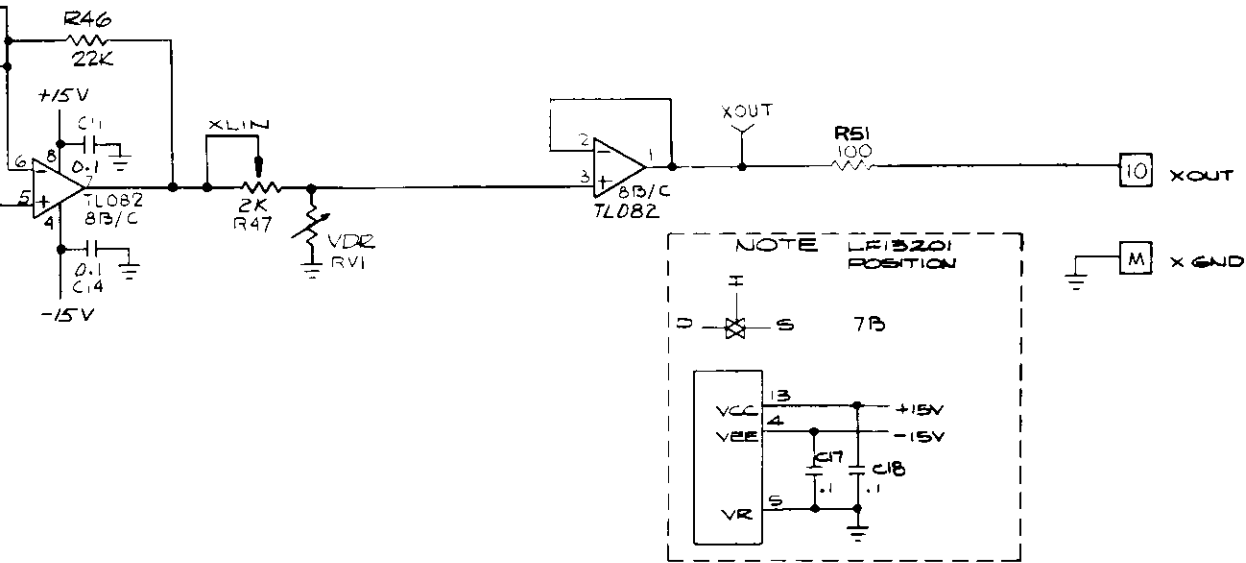
R-G-B Output



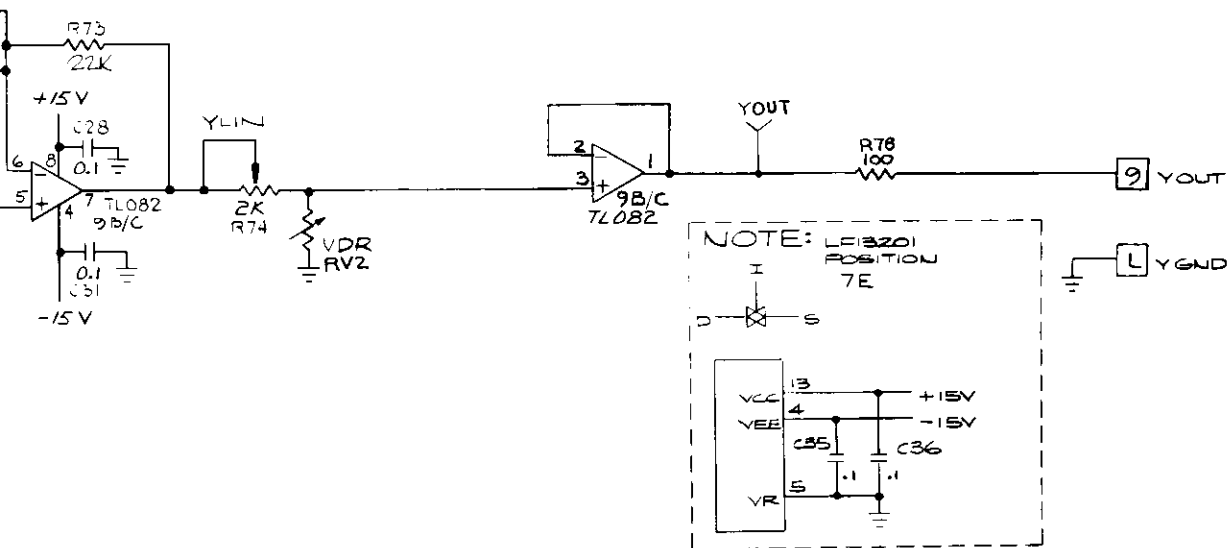
DAC Reference and Bipolar Current Sources



X-Axis Output



Y-Axis Output



that the cross-screen area.
at the diagonal
ed squares are
potentiometers
e necessary to
play.

NOTICE TO ALL PERSONS RECEIVING THIS DRAWING

CONFIDENTIAL: Reproduction forbidden without the specific written permission of Atari, Inc., Sunnyvale, CA. This drawing is only conditionally issued, and neither receipt nor possession thereof confers or transfers any right in, or license to use, the subject matter of the drawing or any design or technical information shown thereon, nor any right to reproduce this drawing or any part thereof. Except for manufacture by vendors of Atari, Inc., and for manufacture under the corporation's written license, no right is granted to reproduce this drawing or the subject matter thereof, unless by written agreement with or written permission from the corporation.

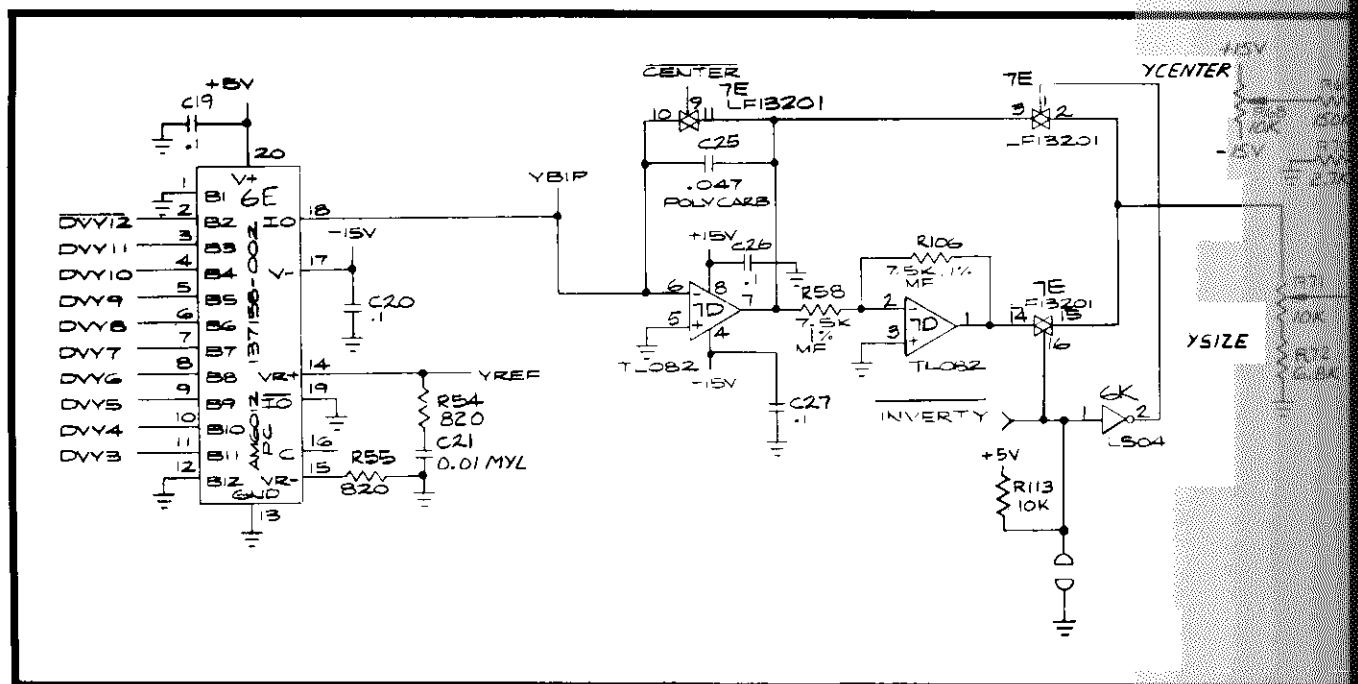
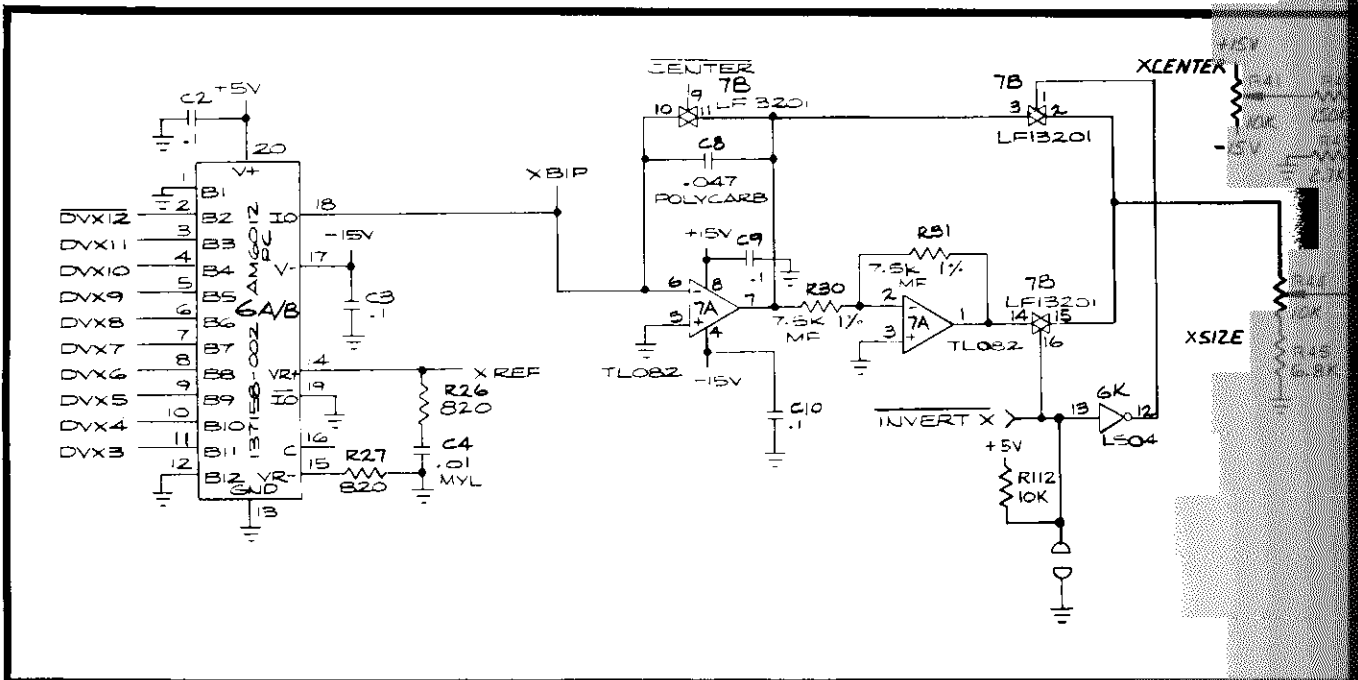
STAR WARS Analog Vector-Generator PCB



A Warner Communications Company

© ATARI INC. 1983

SP-225 Sheet 14A
1st printing

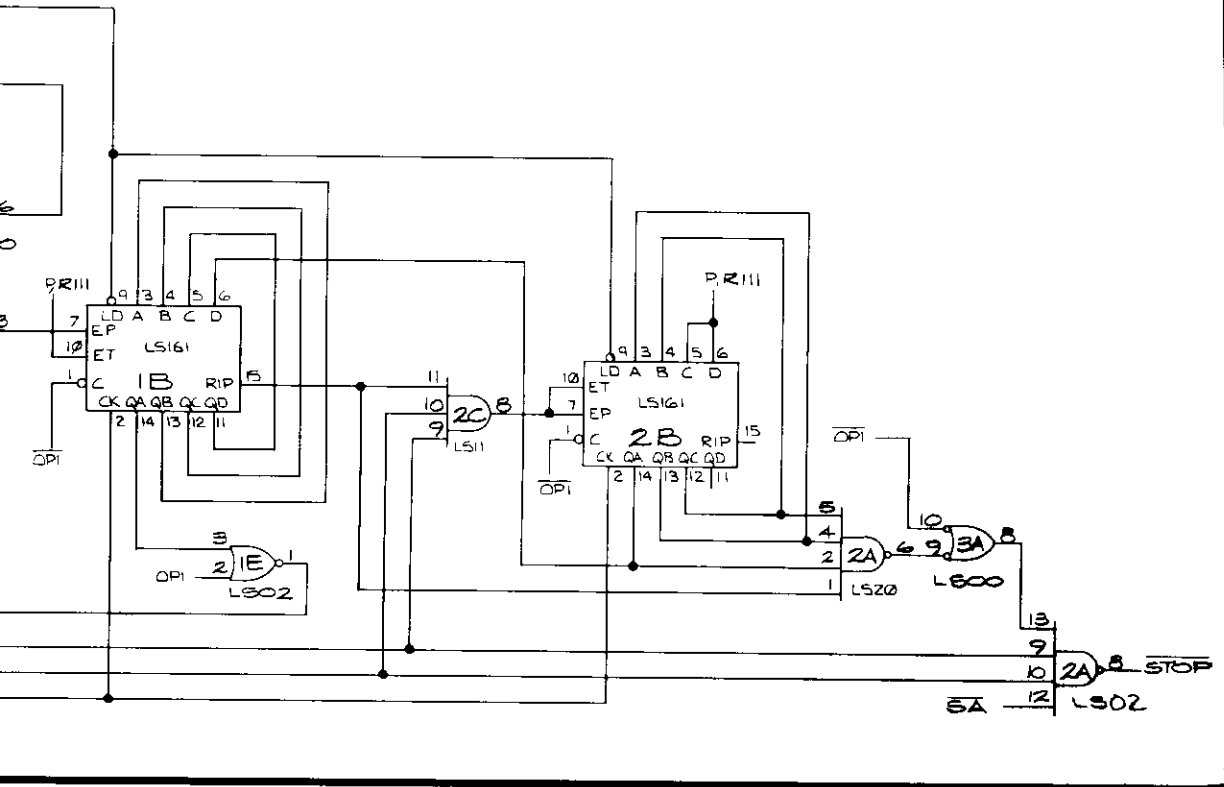


X and Y Video Adjustments

Perform the following procedure to adjust the display size, centering, and linearity:

1. Set the game to the SelfTest Mode and select the Cross-hatch Pattern Display as described in Chapter 2 of the game manual.
2. Adjust XCENTER (R41) and YCENTER (R68) so that the crosshatch pattern is centered on the screen.
3. Adjust XSIZE (R44) and YSIZE (R71) so that the cross-hatch pattern covers the entire visible area of the screen.
4. Adjust XLIN (R47) and YLIN (R74) so that the lines are straight and the diamond shape is symmetrical. Since the linearity is adjustable, when you change the size of the display, it may be necessary to repeat step 3 to obtain the correct display.

Vector Timer



NOTICE TO ALL PERSONS RECEIVING THIS DRAWING

CONFIDENTIAL. Reproduction forbidden without the specific written permission of Atari, Inc., Sunnyvale, CA. This drawing is only conditionally issued, and neither receipt nor possession thereof confers or transfers any right in, or license to use, the subject matter of the drawing or any design or technical information shown thereon, nor any right to reproduce this drawing or any part thereof. Except for manufacture by vendors of Atari, Inc., and for manufacture under the corporation's written license, no right is granted to reproduce this drawing or the subject matter thereof, unless by written agreement with or written permission from the corporation.

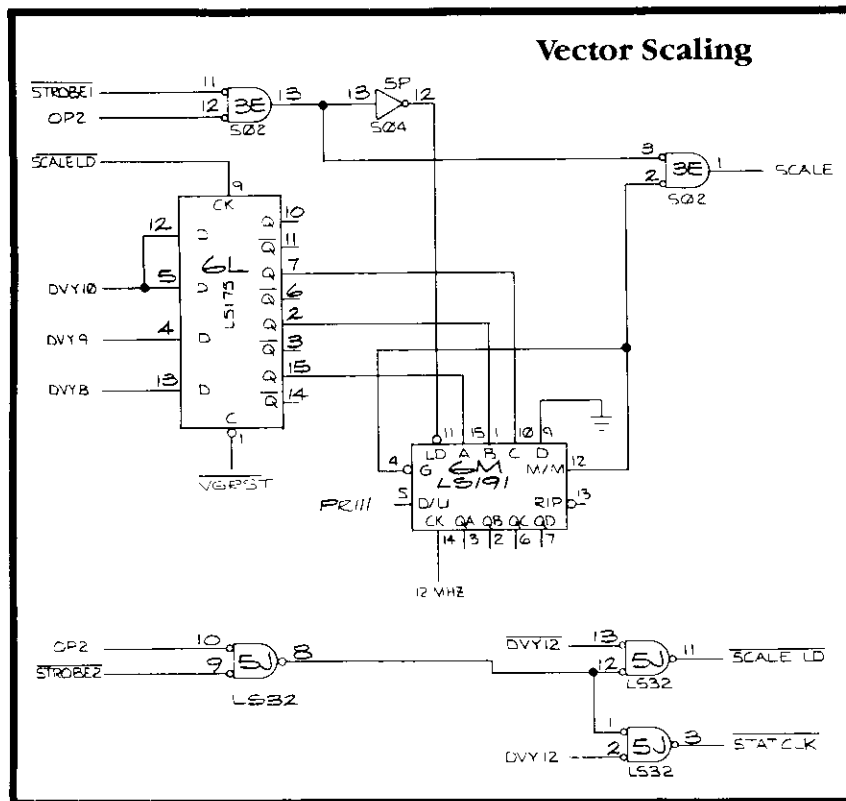
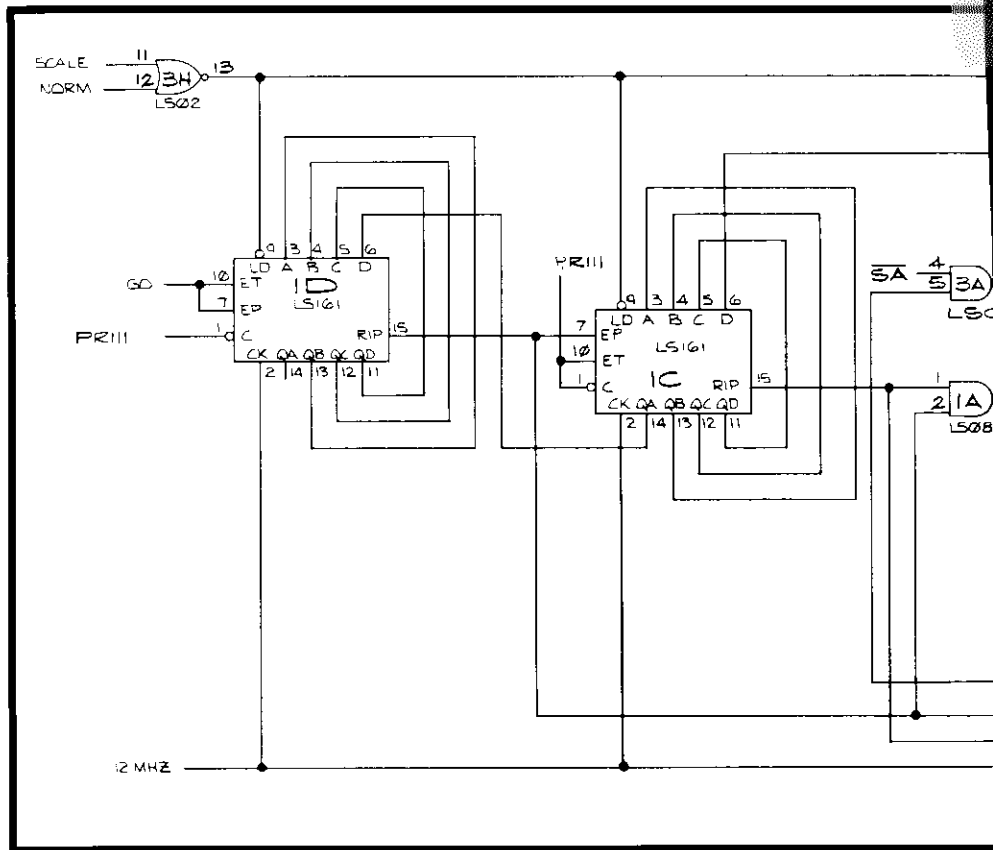
STAR WARS Analog Vector-Generator PCB



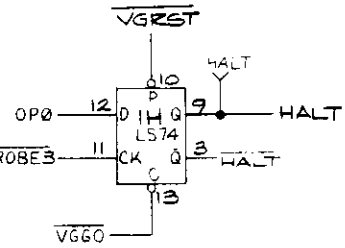
A Warner Communications Company

© ATARI INC. 1983

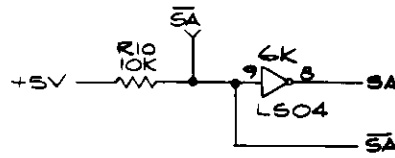
SP-225 Sheet 13B
1st printing



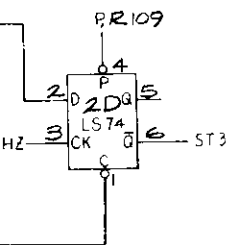
Halt Flag



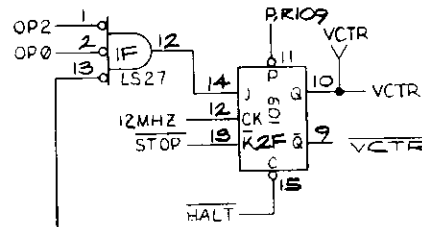
Signature Analysis



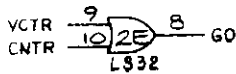
der Disable



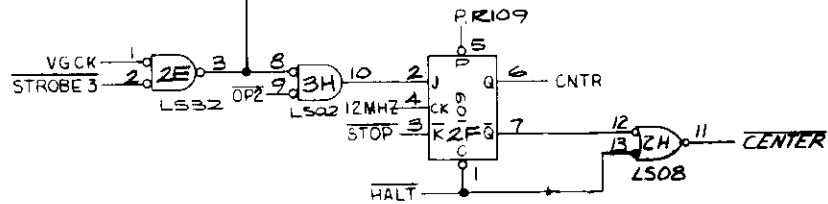
Vector Flag



Go Flag



Center Flag



NOTICE TO ALL PERSONS RECEIVING THIS DRAWING

CONFIDENTIAL. Reproduction forbidden without the specific written permission of Atari, Inc., Sunnyvale, CA. This drawing is only conditionally issued, and neither receipt nor possession thereof confers or transfers any right in, or license to use, the subject matter of the drawing or any design or technical information shown thereon, nor any right to reproduce this drawing or any part thereof. Except for manufacture by vendors of Atari, Inc., and for manufacture under the corporation's written license, no right is granted to reproduce this drawing or the subject matter thereof, unless by written agreement with or written permission from the corporation.

STAR WARS Analog Vector-Generator PCB

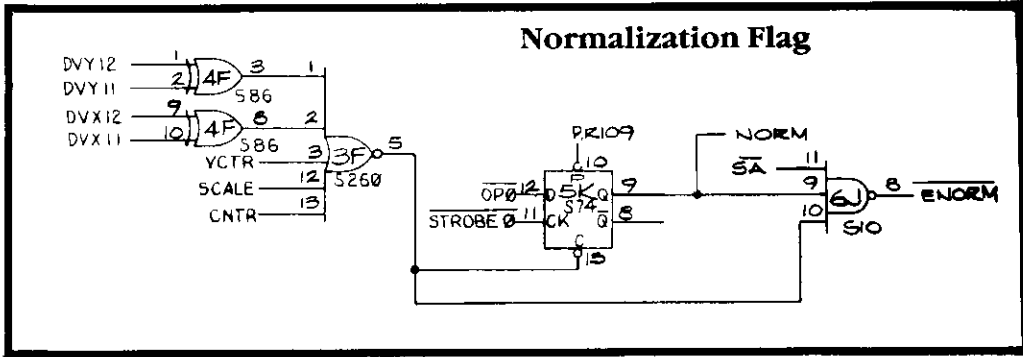


A Warner Communications Company

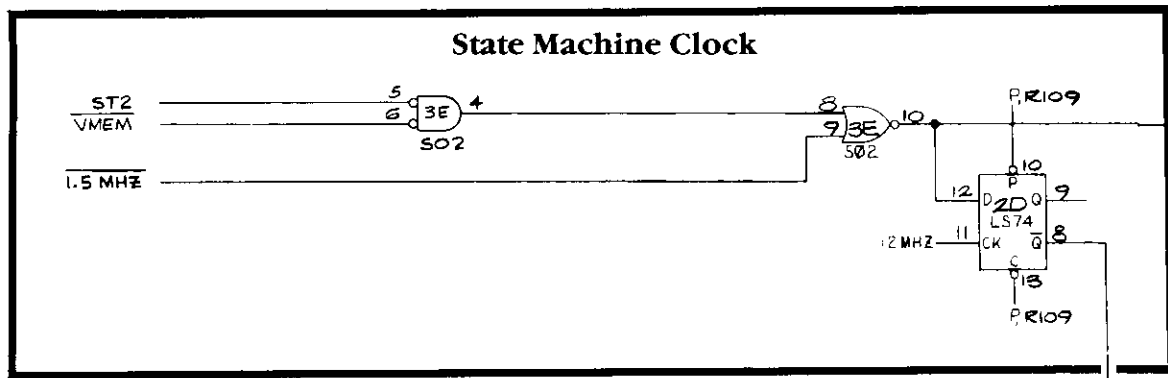
© ATARI INC. 1983

SP-225 Sheet 13A
1st printing

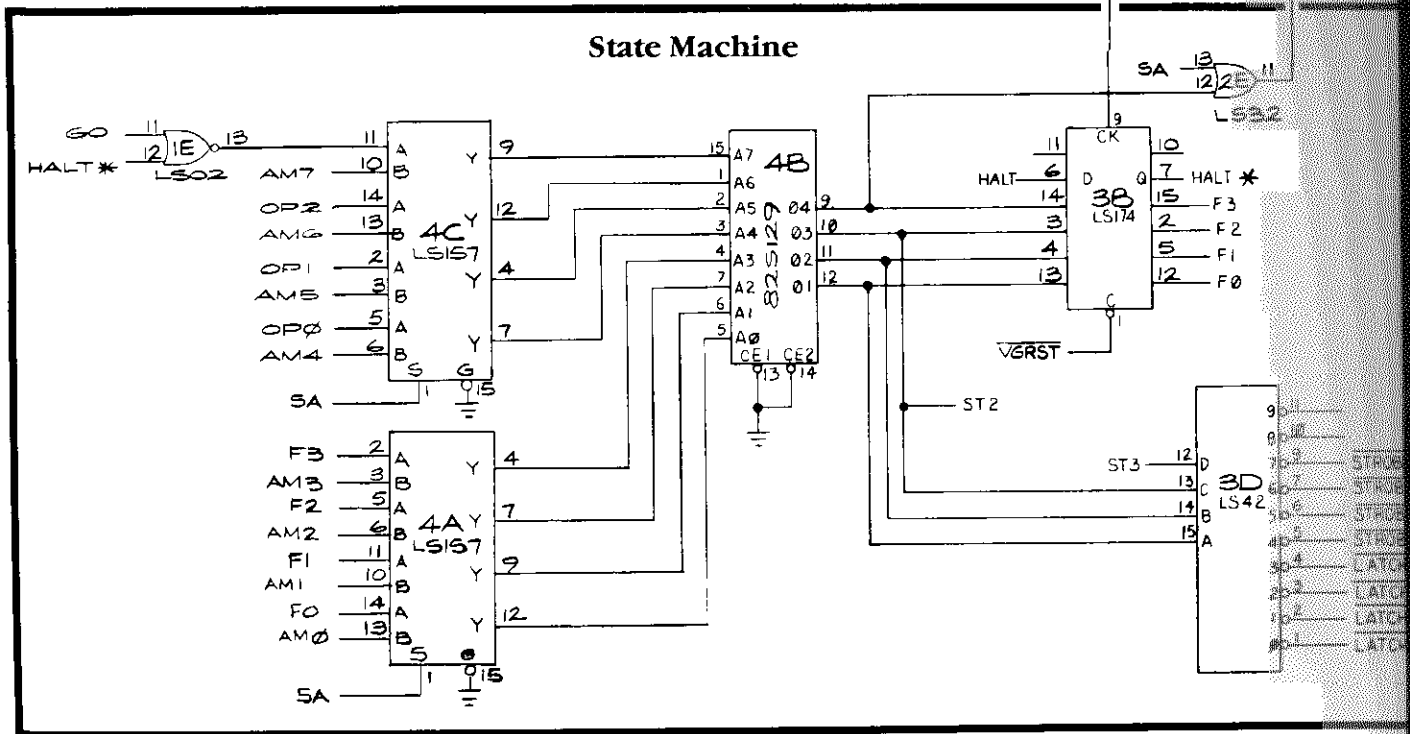
Normalization Flag

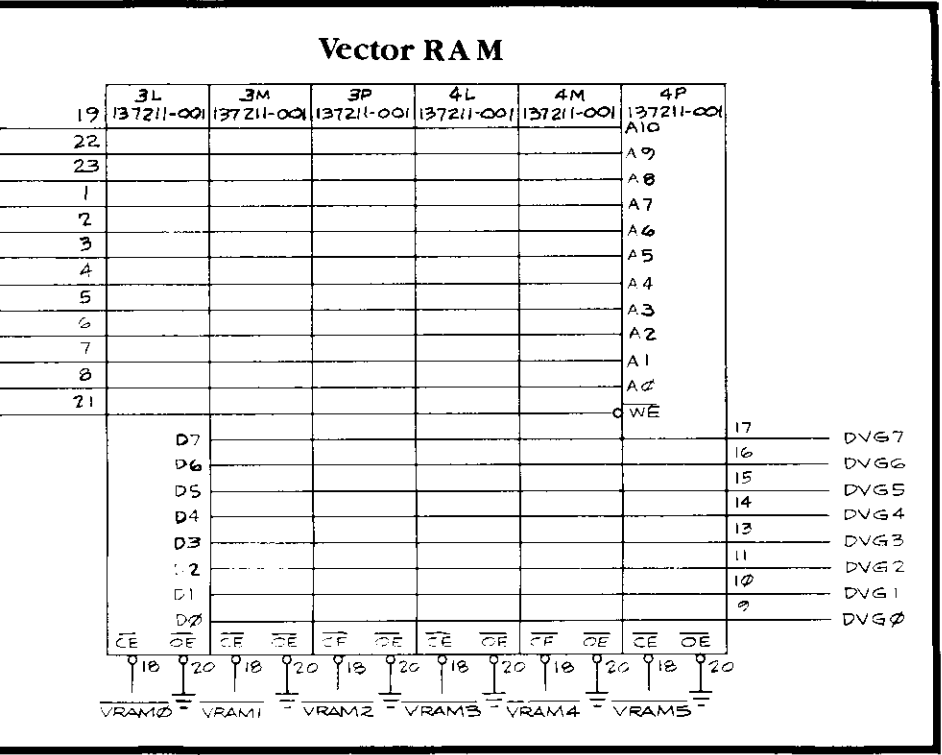
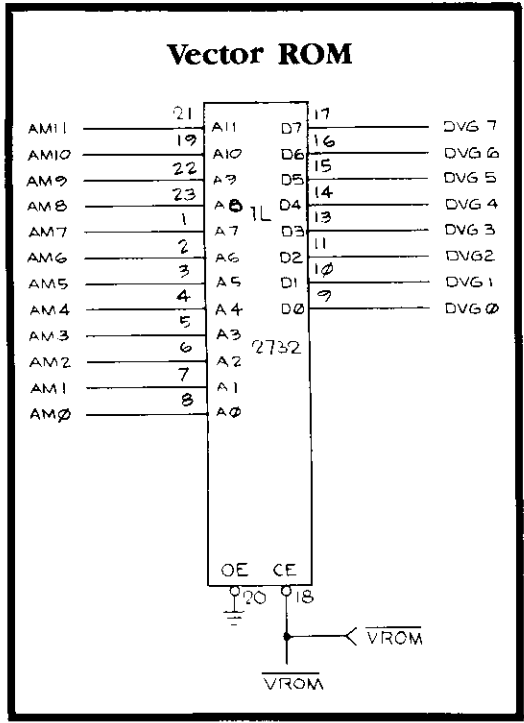
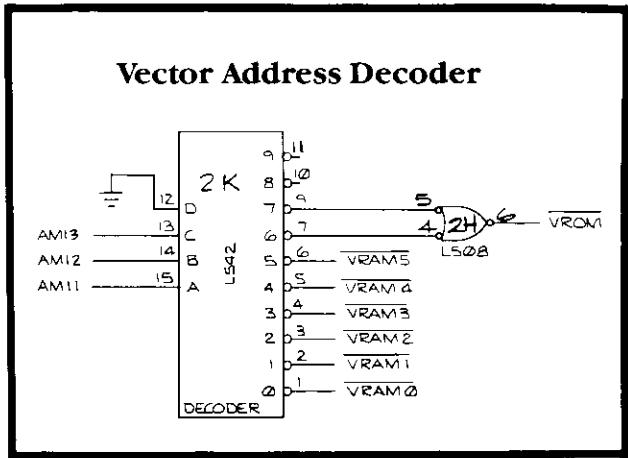
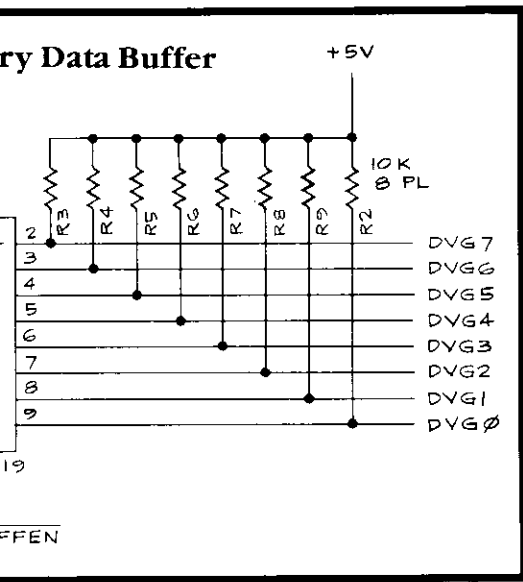


State Machine Clock



State Machine





NOTICE TO ALL PERSONS RECEIVING THIS DRAWING

CONFIDENTIAL. Reproduction forbidden without the specific written permission of Atari, Inc., Sunnyvale, CA. This drawing is only conditionally issued, and neither receipt nor possession thereof confers or transfers any right in, or license to use, the subject matter of the drawing or any design or technical information shown thereon, nor any right to reproduce this drawing or any part thereof. Except for manufacture by vendors of Atari, Inc., and for manufacture under the corporation's written license, no right is granted to reproduce this drawing or the subject matter thereof, unless by written agreement with or written permission from the corporation.

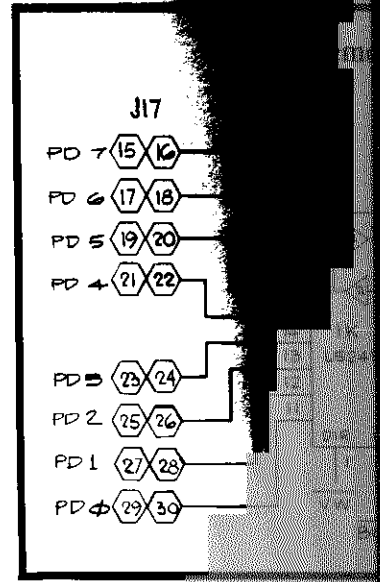
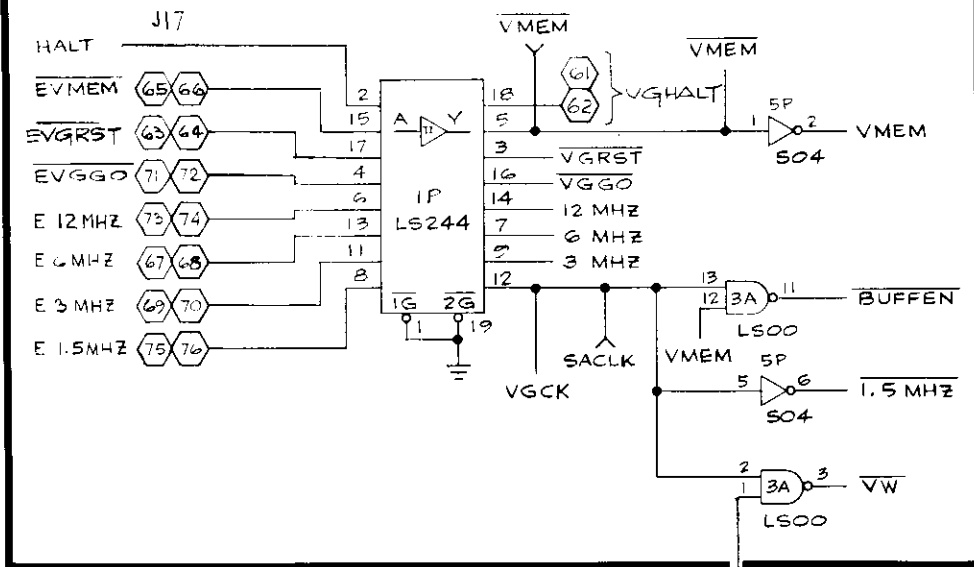
STAR WARS Analog Vector-Generator PCB

© ATARI INC. 1983

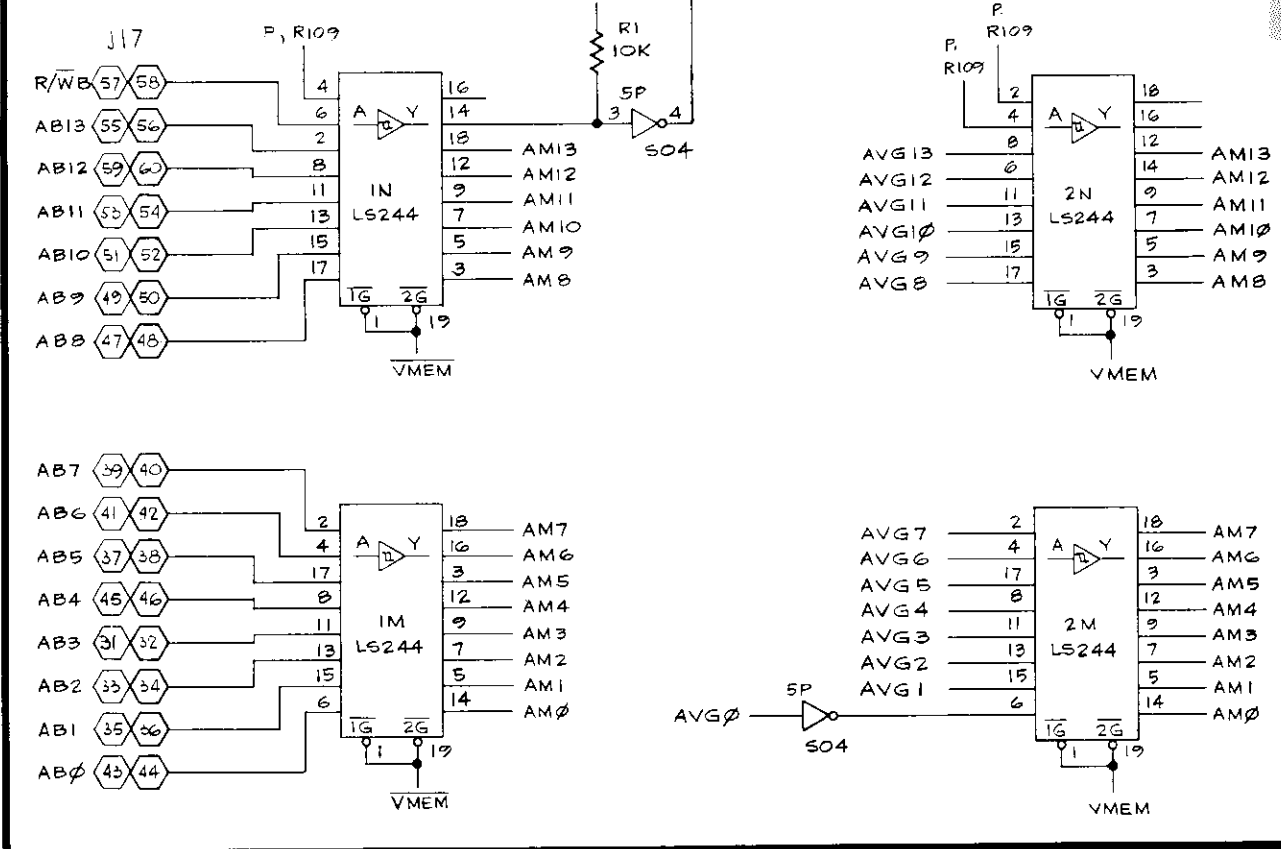
SP-225 Sheet 12A
1st printing

A Warner Communications Company

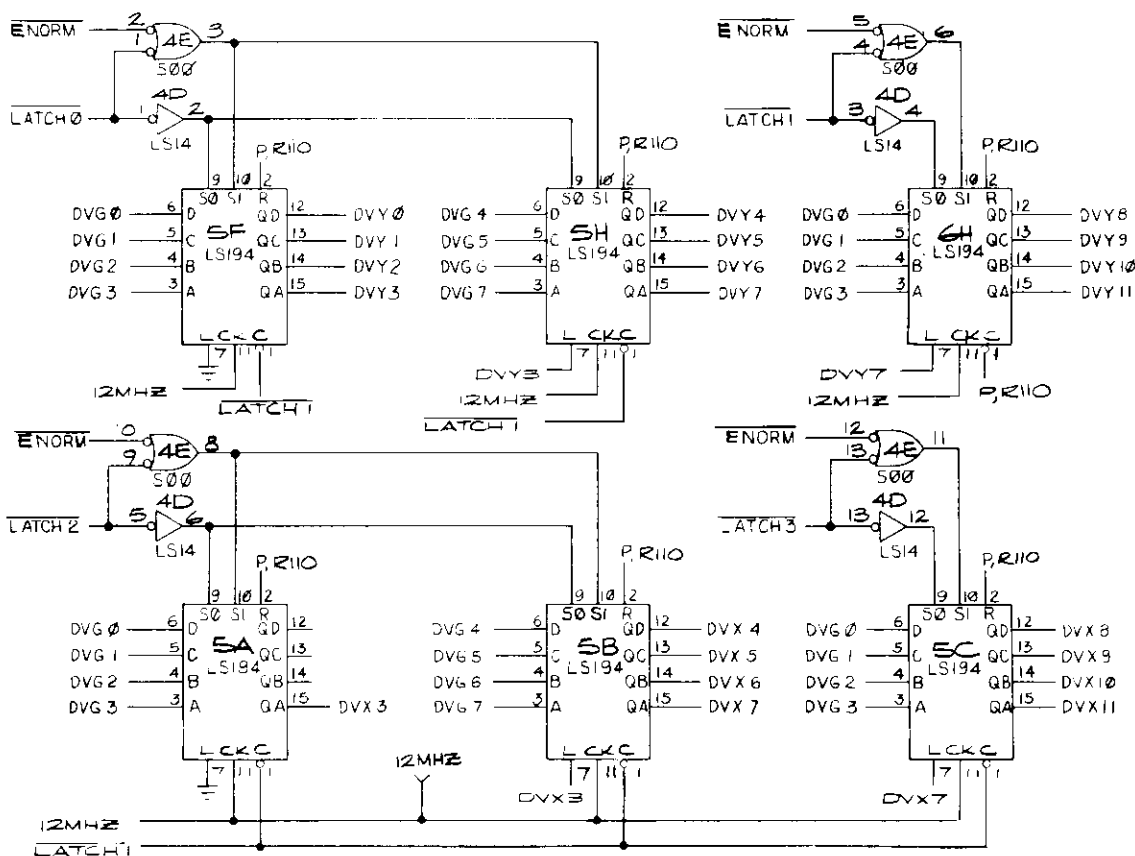
Vector Interface Buffer



Vector Address Selector



Vector Data Shifters



NOTICE TO ALL PERSONS RECEIVING THIS DRAWING

CONFIDENTIAL. Reproduction forbidden without the specific written permission of Atari, Inc., Sunnyvale, CA. This drawing is only conditionally issued, and neither receipt nor possession thereof confers or transfers any right in, or license to use, the subject matter of the drawing or any design or technical information shown thereon, nor any right to reproduce this drawing or any part thereof. Except for manufacture by vendors of Atari, Inc., and for manufacture under the corporation's written license, no right is granted to reproduce this drawing or the subject matter thereof, unless by written agreement with or written permission from the corporation.

STAR WARS Analog Vector-Generator PCB

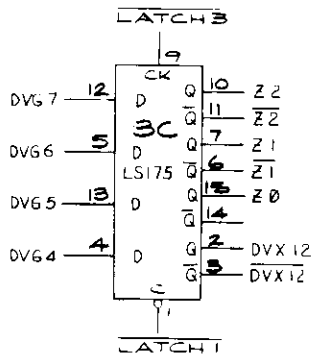
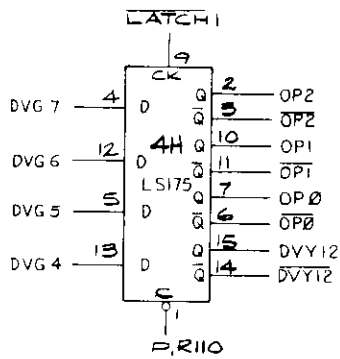


© Atari, Inc. A Warner Communications Company

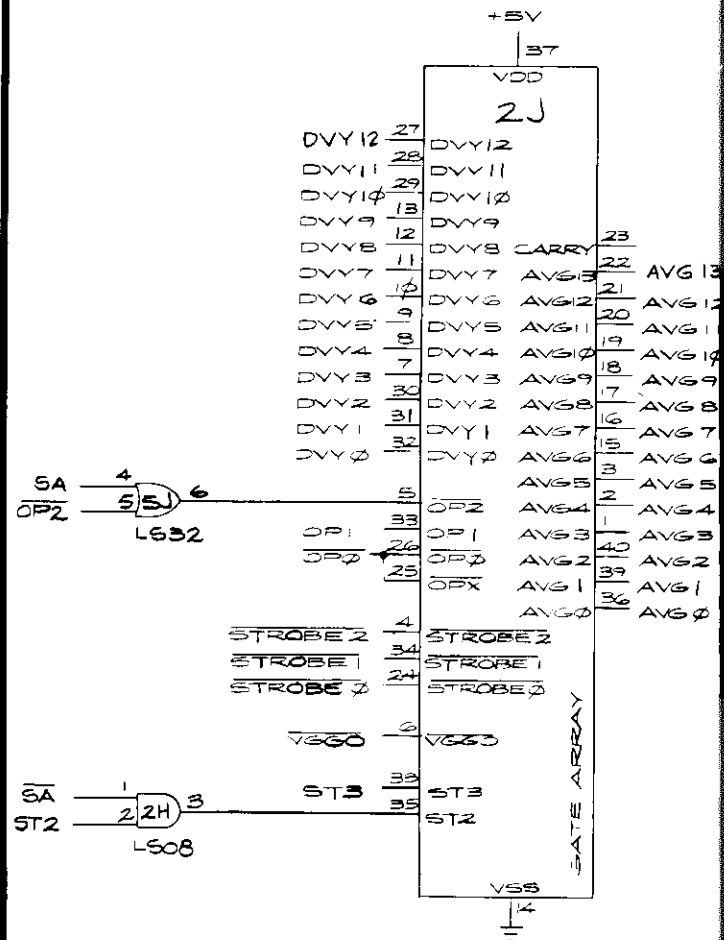
© ATARI INC. 1983

SP-225 Sheet 12B
1st printing

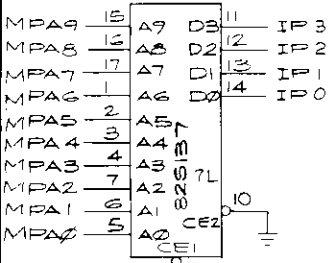
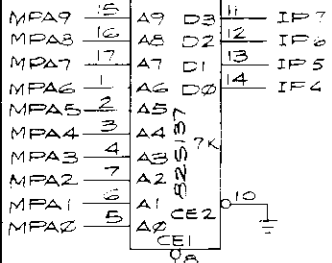
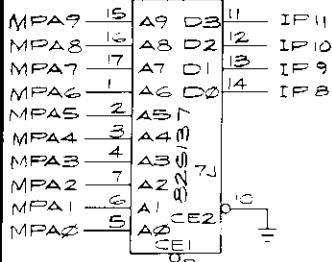
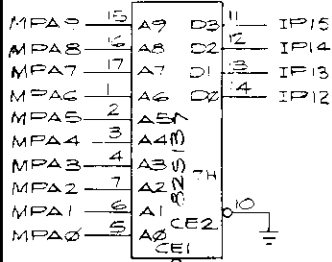
Op Code and Intensity Latches



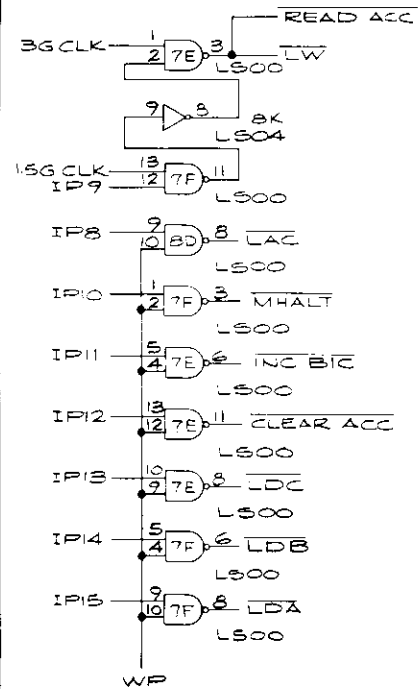
Address Controller



Instruction PROM



Instruction Strobe Gates



NOTICE TO ALL PERSONS RECEIVING THIS DRAWING

CONFIDENTIAL: Reproduction forbidden without the specific written permission of Atari, Inc., Sunnyvale, CA. This drawing is only conditionally issued, and neither receipt nor possession thereof confers or transfers any right in, or license to use, the subject matter of the drawing or any design or technical information shown thereon, nor any right to reproduce this drawing or any part thereof. Except for manufacture by vendors of Atari, Inc., and for manufacture under the corporation's written license, no right is granted to reproduce this drawing or the subject matter thereof, unless by written agreement with or written permission from the corporation.

STAR WARS Main PCB

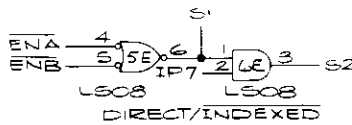
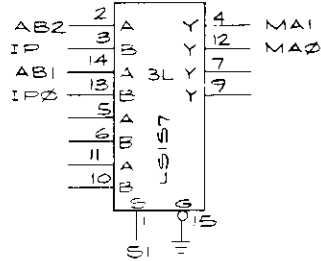
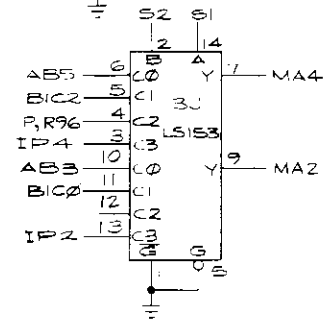
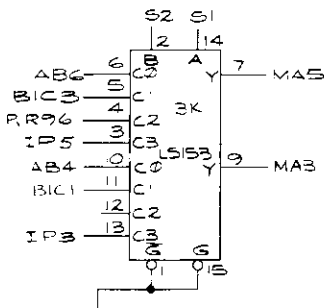
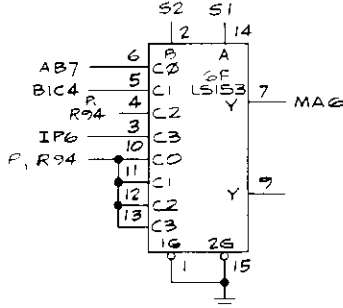
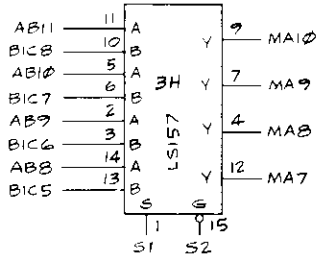


© Atari Inc. 1983
 A Warner Communications Company

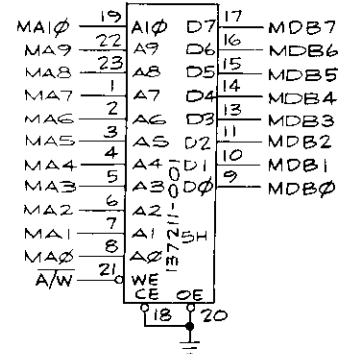
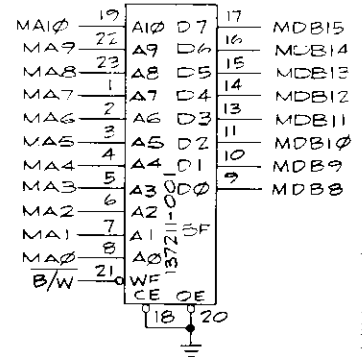
© ATARI INC. 1983

SP-225 Sheet 11A
 1st printing

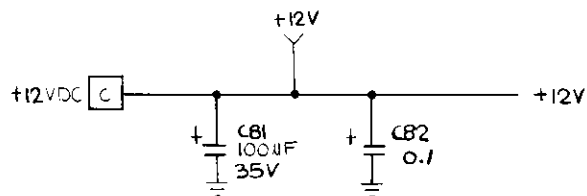
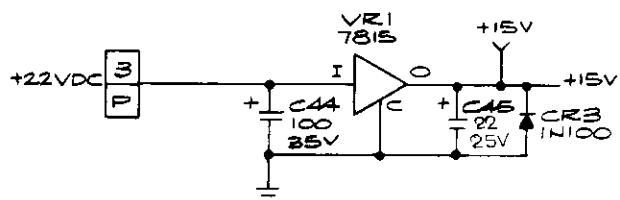
Matrix Processor Address Selector



Matrix Processor RAM



Power Input



NOTICE TO ALL PERSONS RECEIVING THIS DRAWING

CONFIDENTIAL Reproduction forbidden without the specific written permission of Atari, Inc., Sunnyvale, CA. This drawing is only conditionally issued, and neither receipt nor possession thereof confers or transfers any right in, or license to use, the subject matter of the drawing or any design or technical information shown thereon, nor any right to reproduce this drawing or any part thereof. Except for manufacture by vendors of Atari, Inc., and for manufacture under the corporation's written license, no right is granted to reproduce this drawing or the subject matter thereof, unless by written agreement with or written permission from the corporation.

STAR WARS Analog Vector-Generator PCB

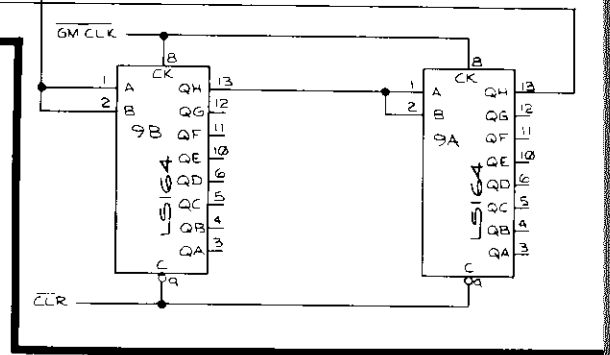
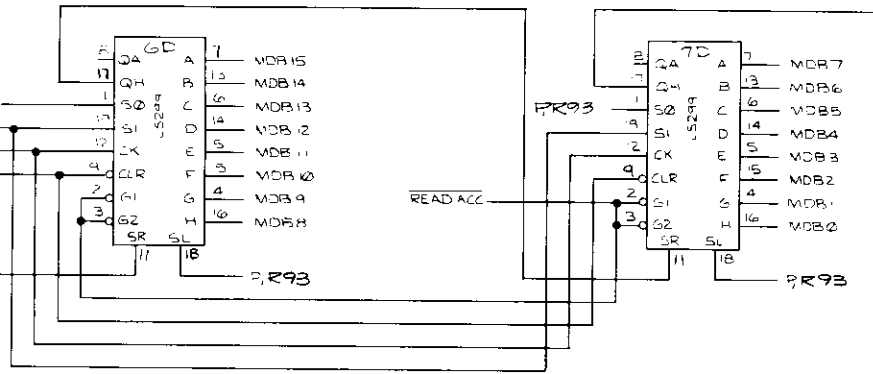


A Warner Communications Company

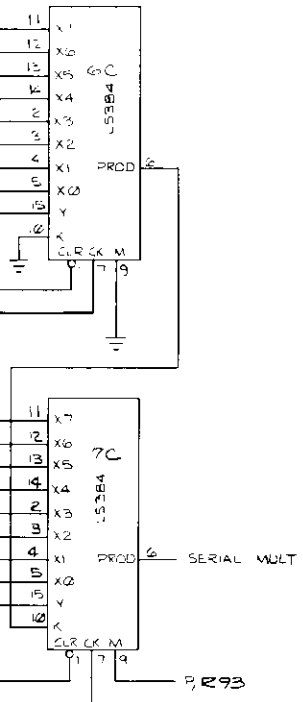
© ATARI INC. 1983

SP-225 Sheet 11B
1st printing

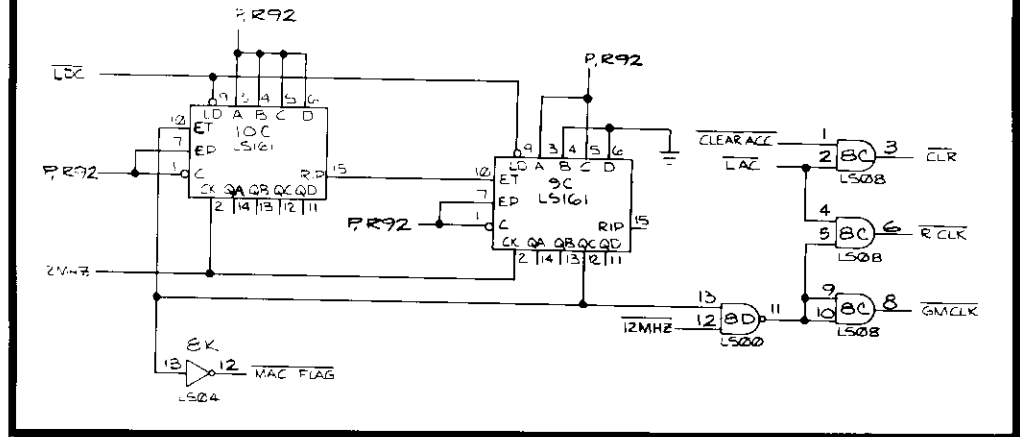
Accumulator



al Multiplier



Multiplier/Accumulator Clock



NOTICE TO ALL PERSONS RECEIVING THIS DRAWING

CONFIDENTIAL. Reproduction forbidden without the specific written permission of Atari, Inc., Sunnyvale, CA. This drawing is only conditionally issued, and neither receipt nor possession thereof confers or transfers any right in, or license to use, the subject matter of the drawing or any design or technical information shown thereon, nor any right to reproduce this drawing or any part thereof. Except for manufacture by vendors of Atari, Inc., and for manufacture under the corporation's written license, no right is granted to reproduce this drawing or the subject matter thereof, unless by written agreement with or written permission from the corporation.

STAR WARS Main PCB

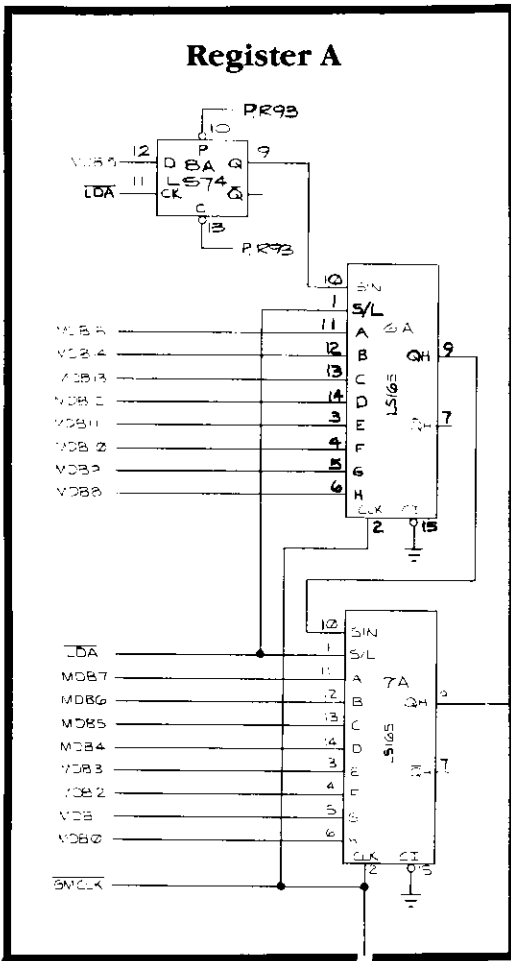


A Warner Communications Company

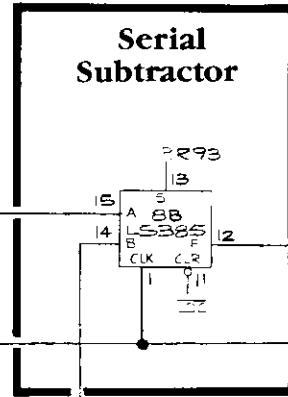
© ATARI INC. 1983

SP-225 Sheet 10A
1st printing

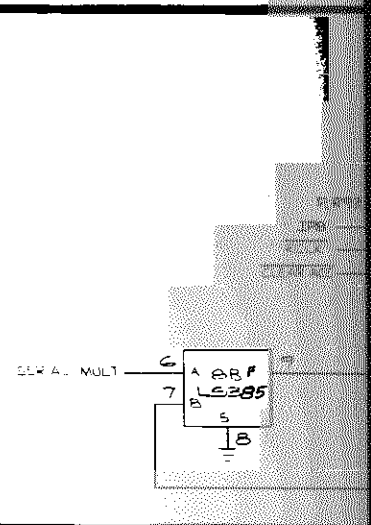
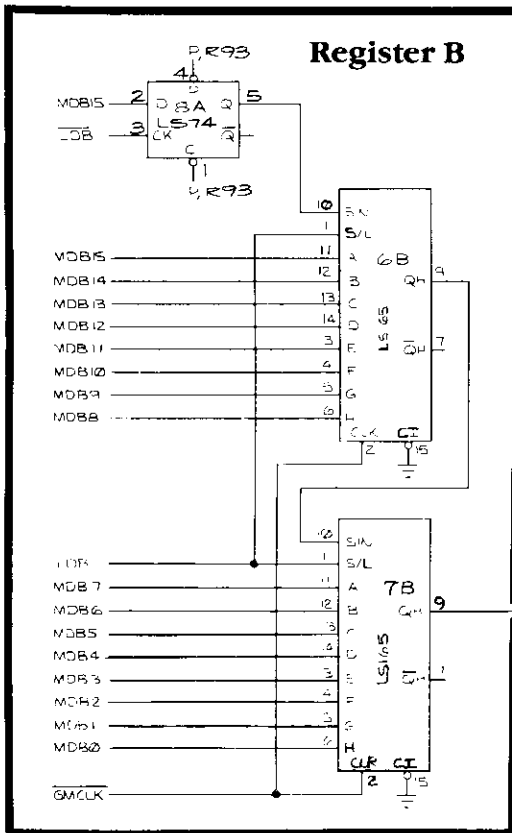
Register A



Serial Subtractor



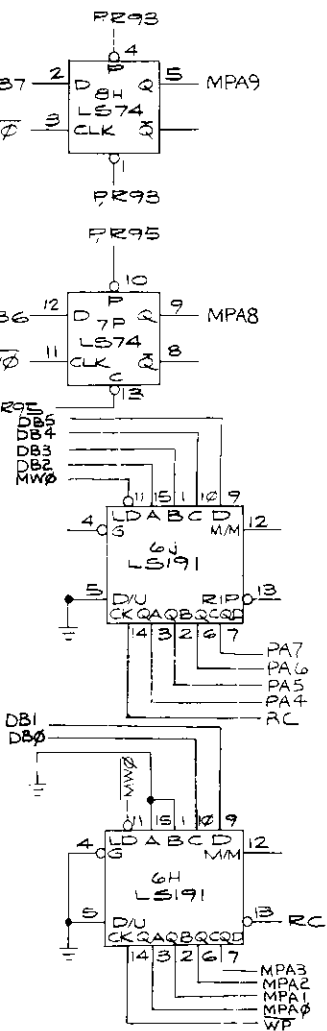
Register B



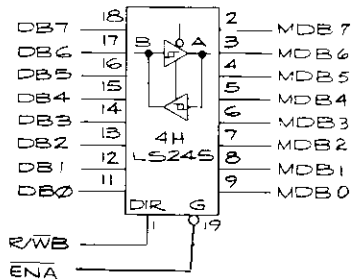
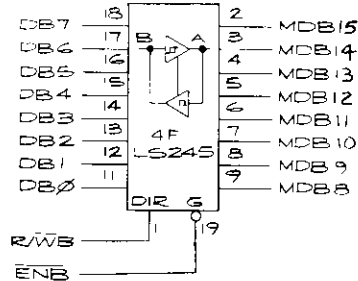
- MDB15
- MDB14
- MDB13
- MDB12
- MDB11
- MDB10
- MDB9
- MDB8

- MDB7
- MDB6
- MDB5
- MDB4
- MDB3
- MDB2
- MDB1
- MDB0

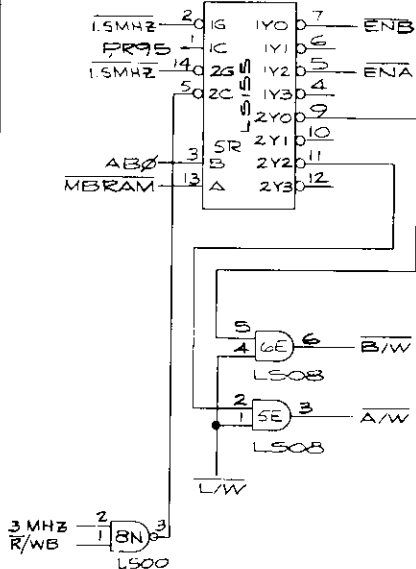
Matrix Processor Address Counter



Matrix Processor Data Selector



Matrix Processor Address and Data Selector Control



NOTICE TO ALL PERSONS RECEIVING THIS DRAWING

CONFIDENTIAL: Reproduction forbidden without the specific written permission of Atari, Inc., Sunnyvale, CA. This drawing is only conditionally issued, and neither receipt nor possession thereof confers or transfers any right in, or license to use, the subject matter of the drawing or any design or technical information shown thereon, nor any right to reproduce this drawing or any part thereof. Except for manufacture by vendors of Atari, Inc., and for manufacture under the corporation's written license, no right is granted to reproduce this drawing or the subject matter thereof, unless by written agreement with or written permission from the corporation.

STAR WARS Main PCB

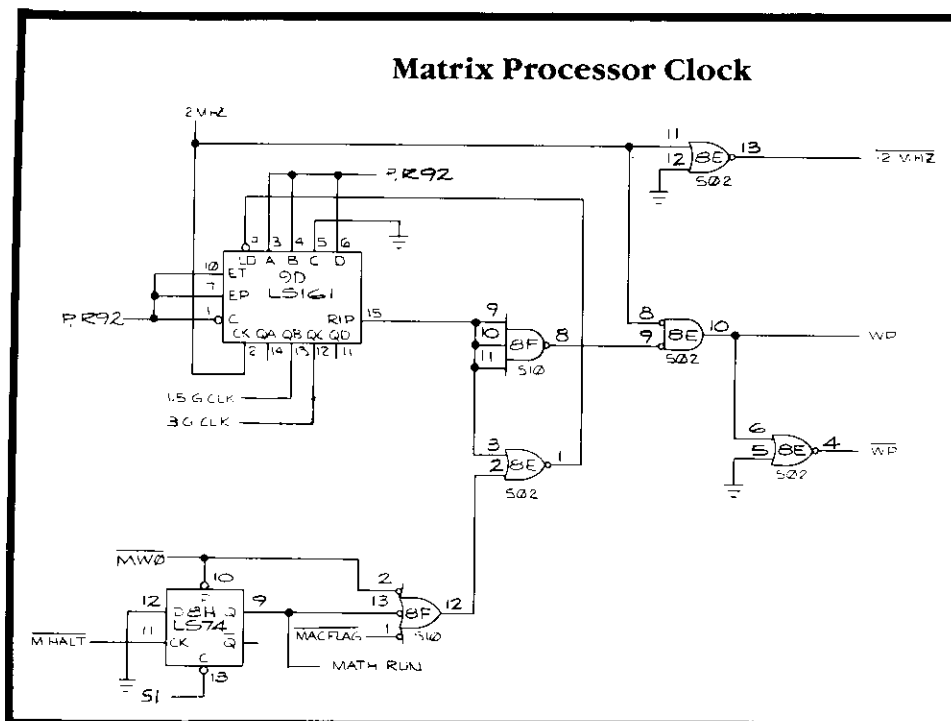


A Warner Communications Company

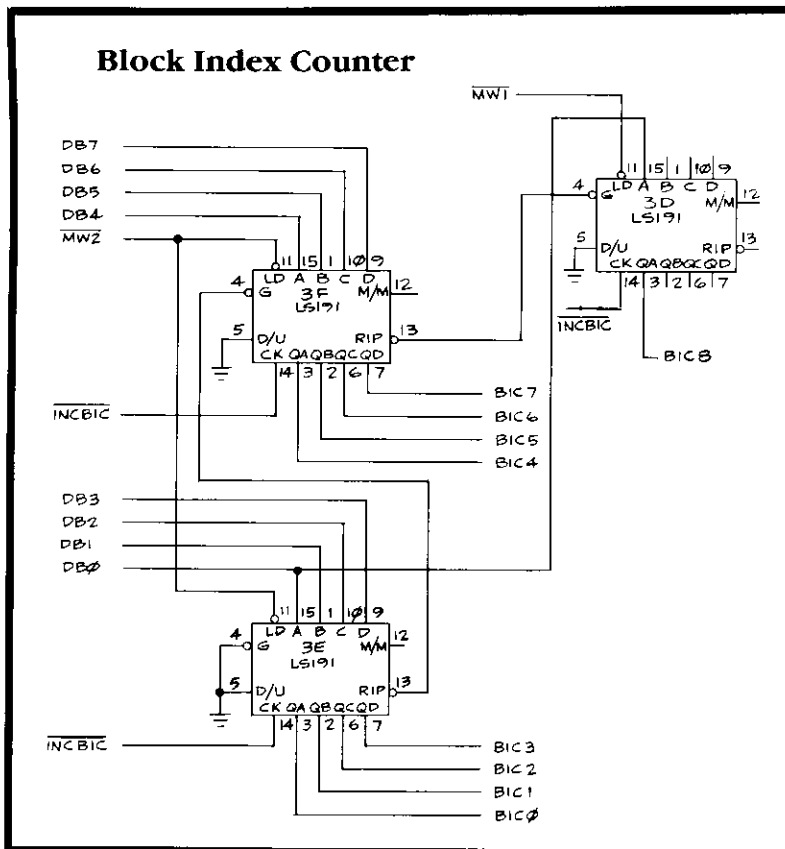
© ATARI INC. 1983

SP-225 Sheet 10B
1st printing

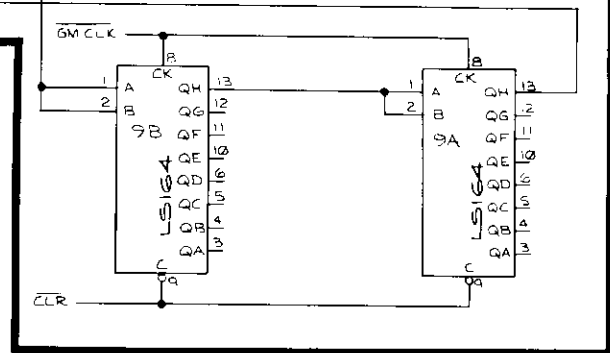
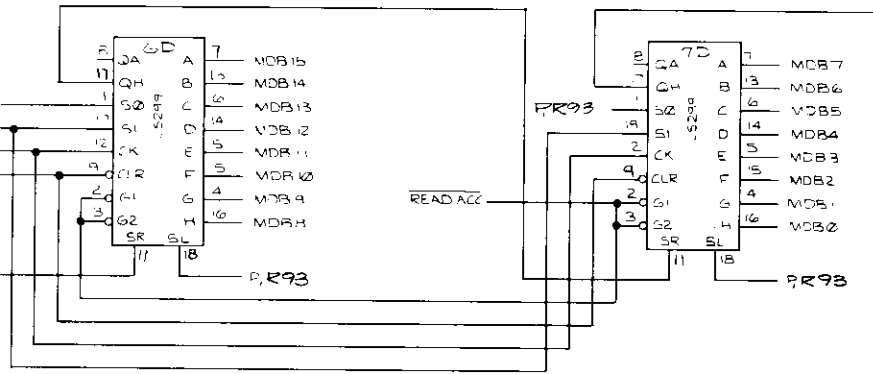
Matrix Processor Clock



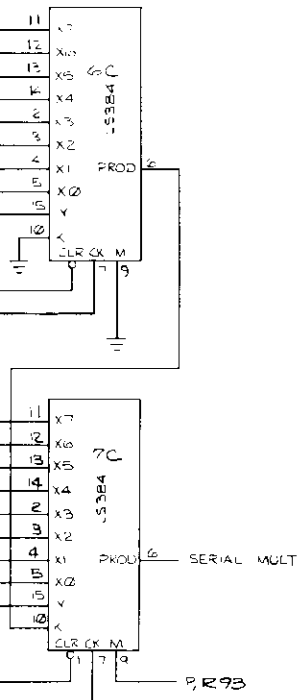
Block Index Counter



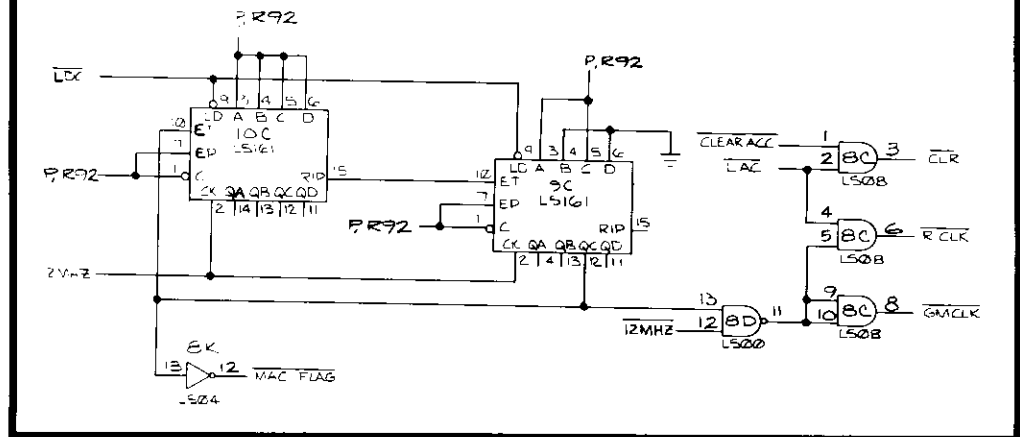
Accumulator



al Multiplier



Multiplier/Accumulator Clock



NOTICE TO ALL PERSONS RECEIVING THIS DRAWING

CONFIDENTIAL. Reproduction forbidden without the specific written permission of Atari, Inc., Sunnyvale, CA. This drawing is only conditionally issued, and neither receipt nor possession thereof confers or transfers any right in, or license to use, the subject matter of the drawing or any design or technical information shown thereon, nor any right to reproduce this drawing or any part thereof. Except for manufacture by vendors of Atari, Inc., and for manufacture under the corporation's written license, no right is granted to reproduce this drawing or the subject matter thereof, unless by written agreement with or written permission from the corporation.

STAR WARS Main PCB

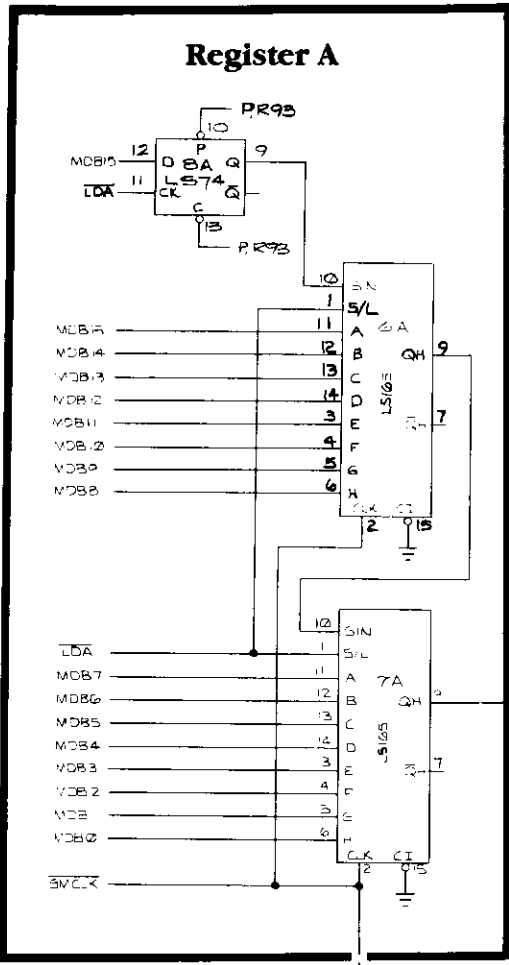


A Warner Communications Company

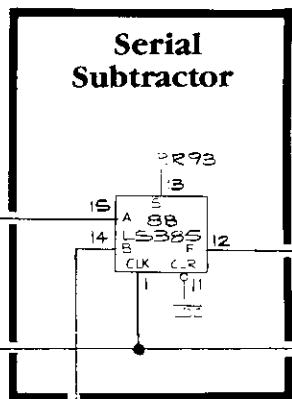
© ATARI INC. 1983

SP-225 Sheet 10A
1st printing

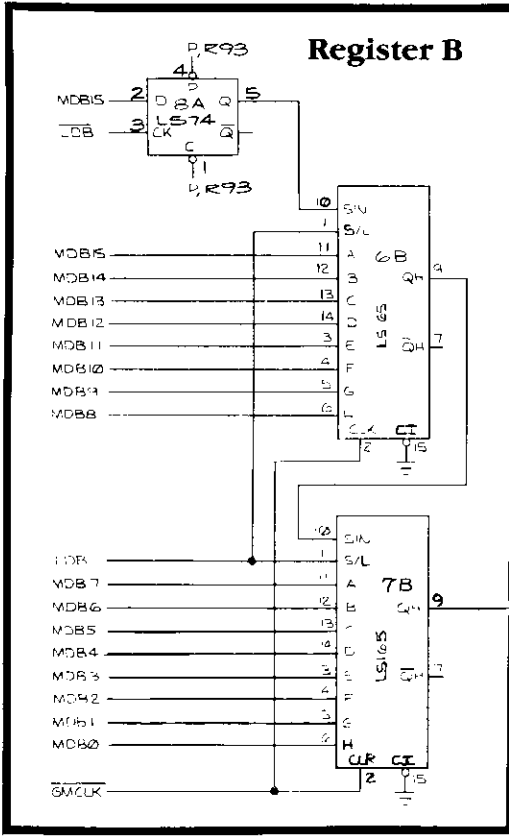
Register A



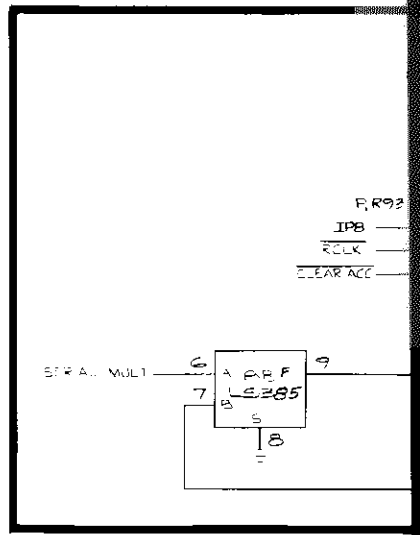
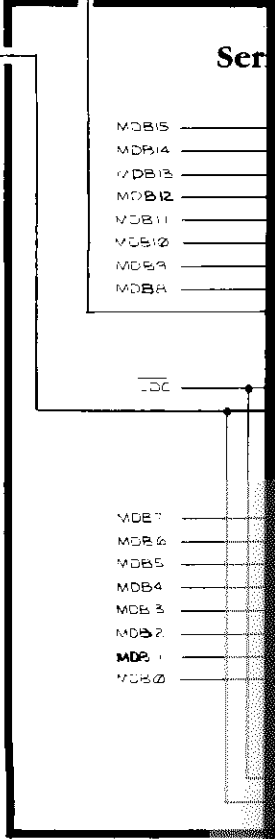
Serial Subtractor

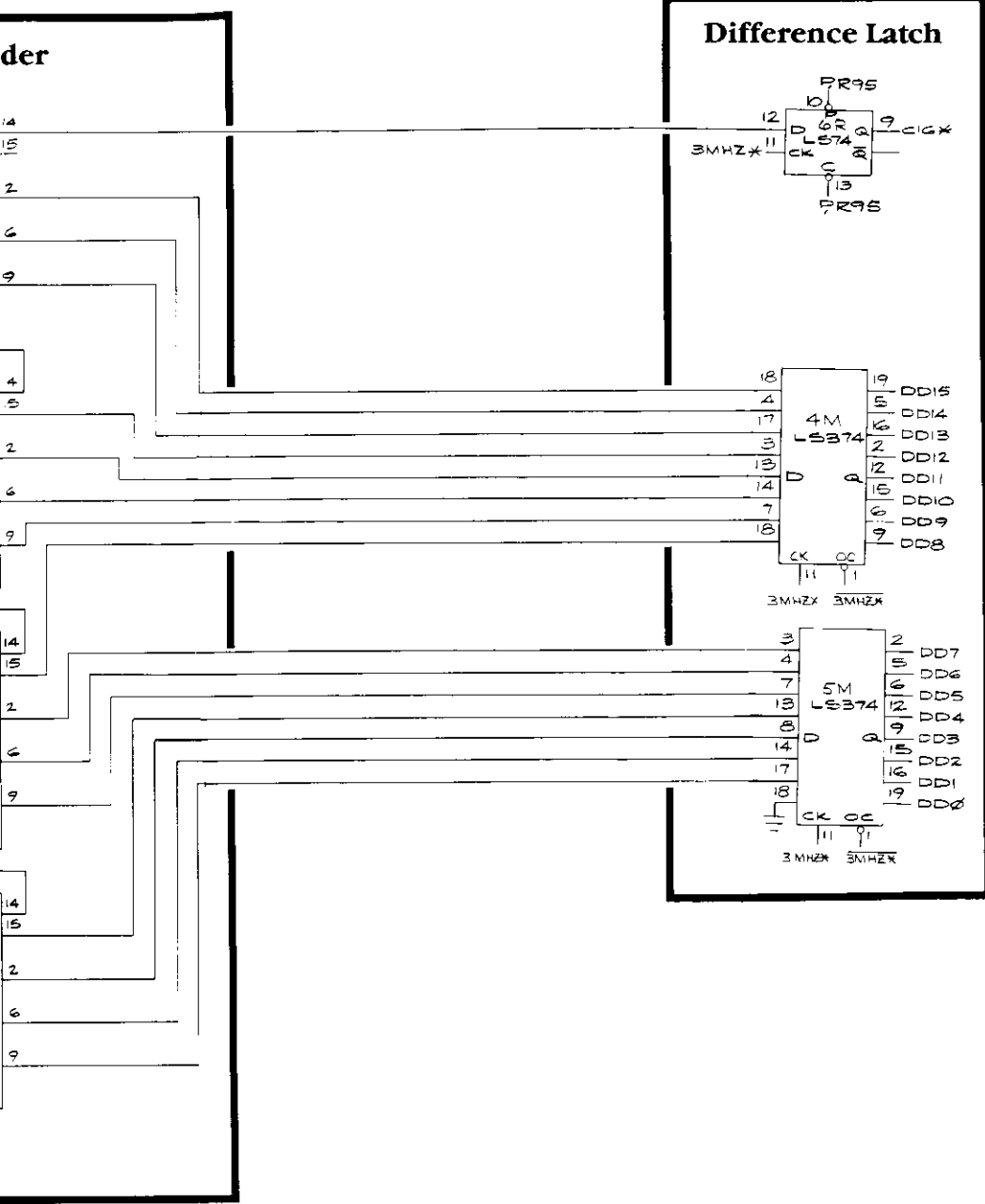


Register B




Serial






NOTICE TO ALL PERSONS RECEIVING THIS DRAWING
 CONFIDENTIAL: Reproduction forbidden without the specific written permission of Atari, Inc., Sunnyvale, CA. This drawing is only conditionally issued, and neither receipt nor possession thereof confers or transfers any right in, or license to use, the subject matter of the drawing or any design or technical information shown thereon, nor any right to reproduce this drawing or any part thereof. Except for manufacture by vendors of Atari, Inc., and for manufacture under the corporation's written license, no right is granted to reproduce this drawing or the subject matter thereof, unless by written agreement with or written permission from the corporation.

STAR WARS Main PCB

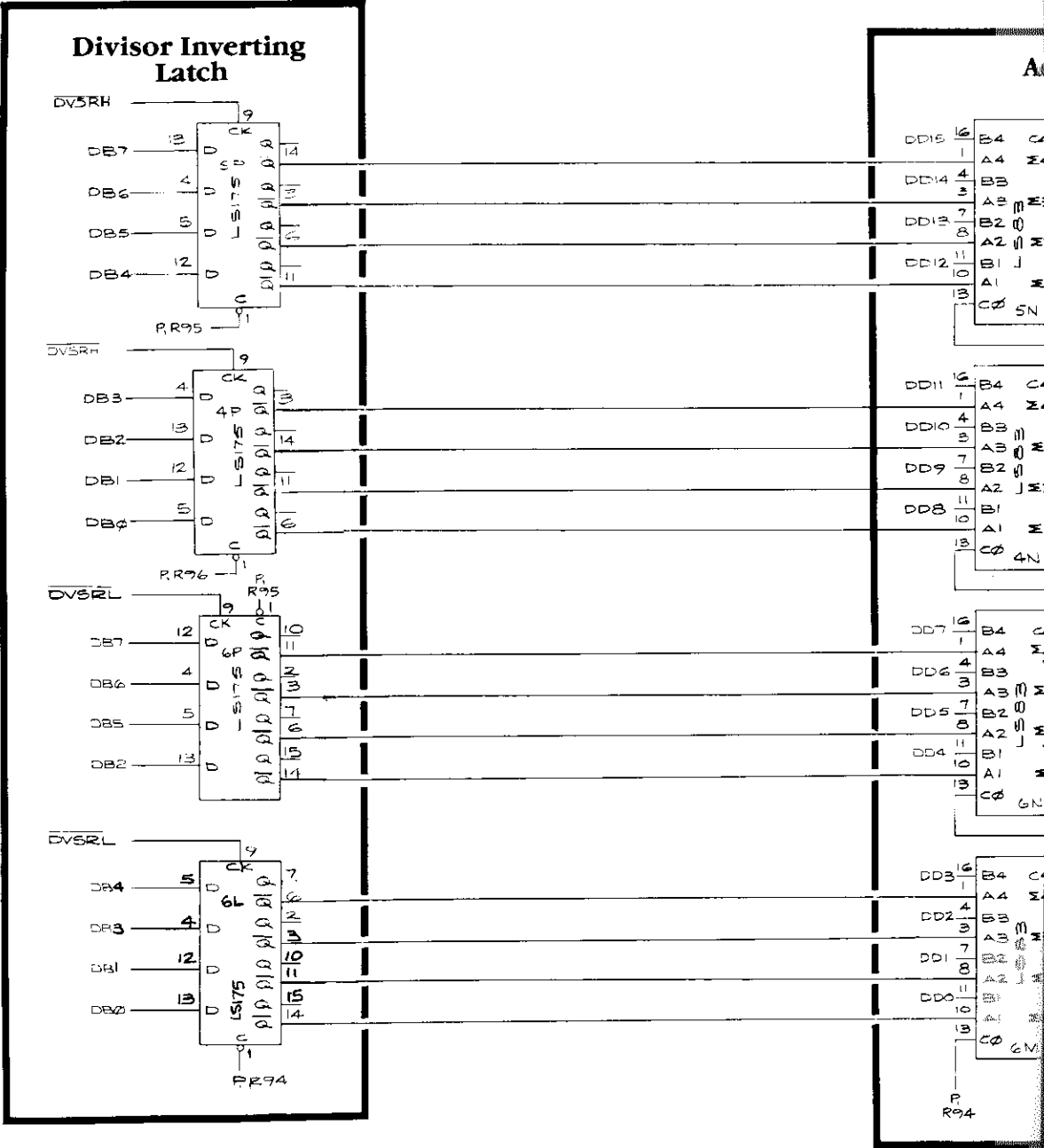


© ATARI INC. 1983



SP-225 Sheet 9A
1st printing

Divisor Inverting Latch

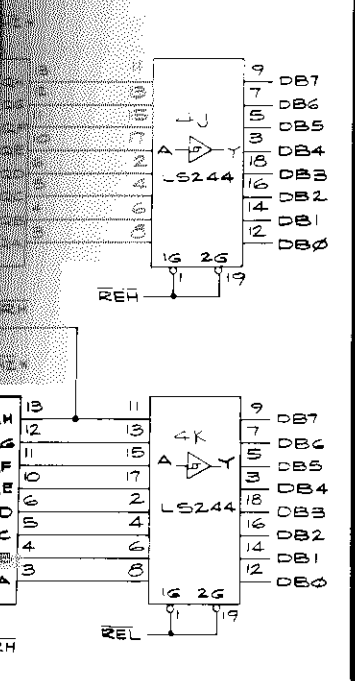


A

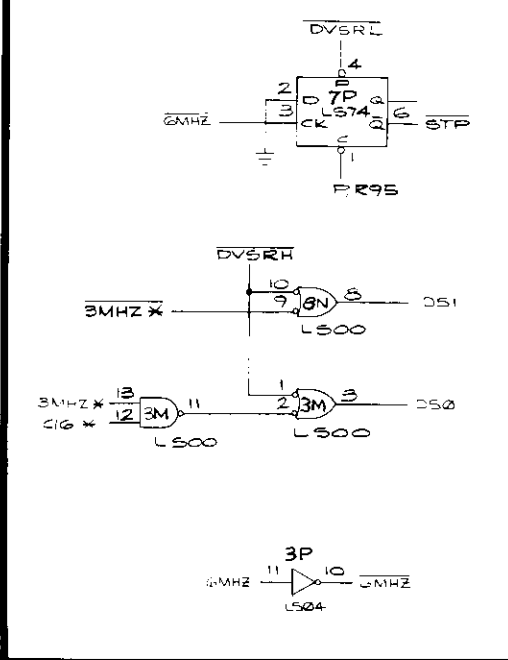
DD15	16	B4	C4
	1	A4	X4
DD14	5	B3	
	3	A3	M
DD13	8	B2	M
	7	A2	M
DD12	10	B1	J
	11	A1	X
	13	C3	5N
DD11	16	B4	C4
	1	A4	X4
DD10	5	B3	
	3	A3	M
DD9	8	B2	M
	7	A2	J
DD8	11	B1	X
	10	A1	X
	13	C3	4N
DD7	16	B4	C4
	1	A4	X4
DD6	5	B3	
	3	A3	M
DD5	8	B2	M
	7	A2	J
DD4	11	B1	X
	10	A1	X
	13	C3	6N
DD3	16	B4	C4
	1	A4	X4
DD2	5	B3	
	3	A3	M
DD1	8	B2	M
	7	A2	J
DD0	11	B1	X
	10	A1	X
	13	C3	6M

P
R94

Shift Register



Divider Control



Latch



NOTICE TO ALL PERSONS RECEIVING THIS DRAWING

CONFIDENTIAL. Reproduction forbidden without the specific written permission of Atari, Inc., Sunnyvale, CA. This drawing is only conditionally issued, and neither receipt nor possession thereof confers or transfers any right in, or license to use, the subject matter of the drawing or any design or technical information shown thereon, nor any right to reproduce this drawing or any part thereof. Except for manufacture by vendors of Atari, Inc., and for manufacture under the corporation's written license, no right is granted to reproduce this drawing or the subject matter thereof, unless by written agreement with or written permission from the corporation.

STAR WARS Main PCB

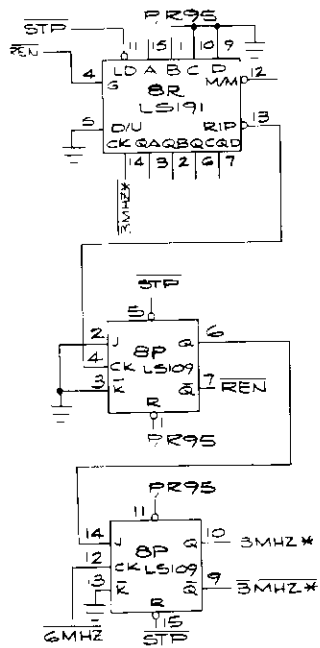


A Warner Communications Company

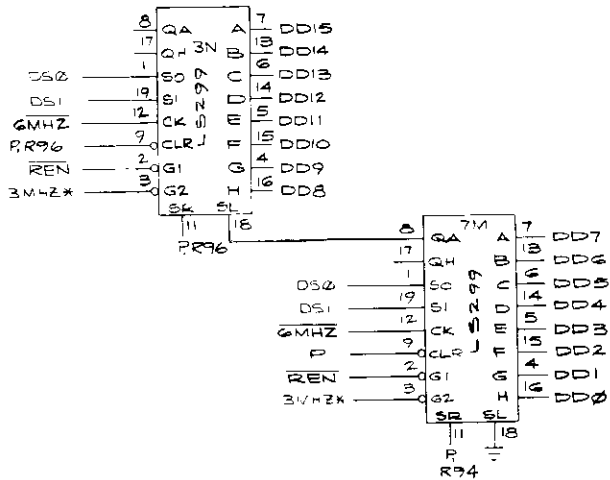
© ATARI INC. 1983

SP-225 Sheet 1st page

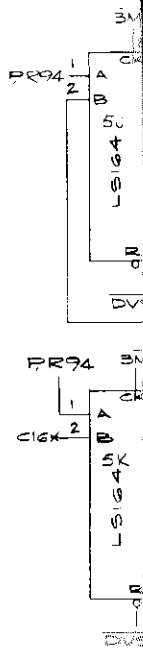
Divider Clock Generator



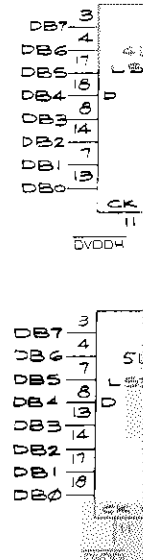
Dividend Shift Register



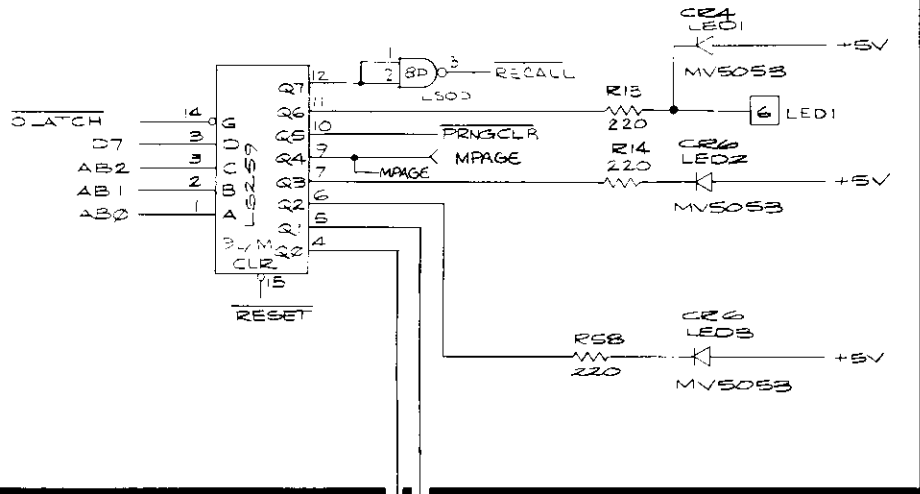
Quo



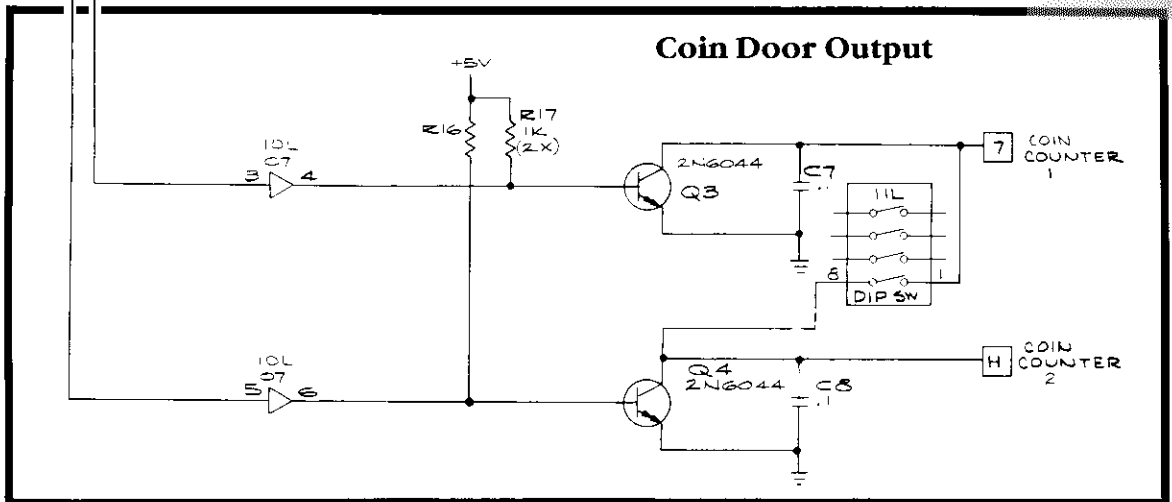
Dividen



Test and Control Signals



Coin Door Output



NOTICE TO ALL PERSONS RECEIVING THIS DRAWING

CONFIDENTIAL. Reproduction forbidden without the specific written permission of Atari, Inc., Sunnyvale, CA. This drawing is only conditionally issued, and neither receipt nor possession thereof confers or transfers any right in, or license to use, the subject matter of the drawing or any design or technical information shown thereon, nor any right to reproduce this drawing or any part thereof. Except for manufacture by vendors of Atari, Inc., and for manufacture under the corporation's written license, no right is granted to reproduce this drawing or the subject matter thereof, unless by written agreement with or written permission from the corporation.

STAR WARS Main PCB

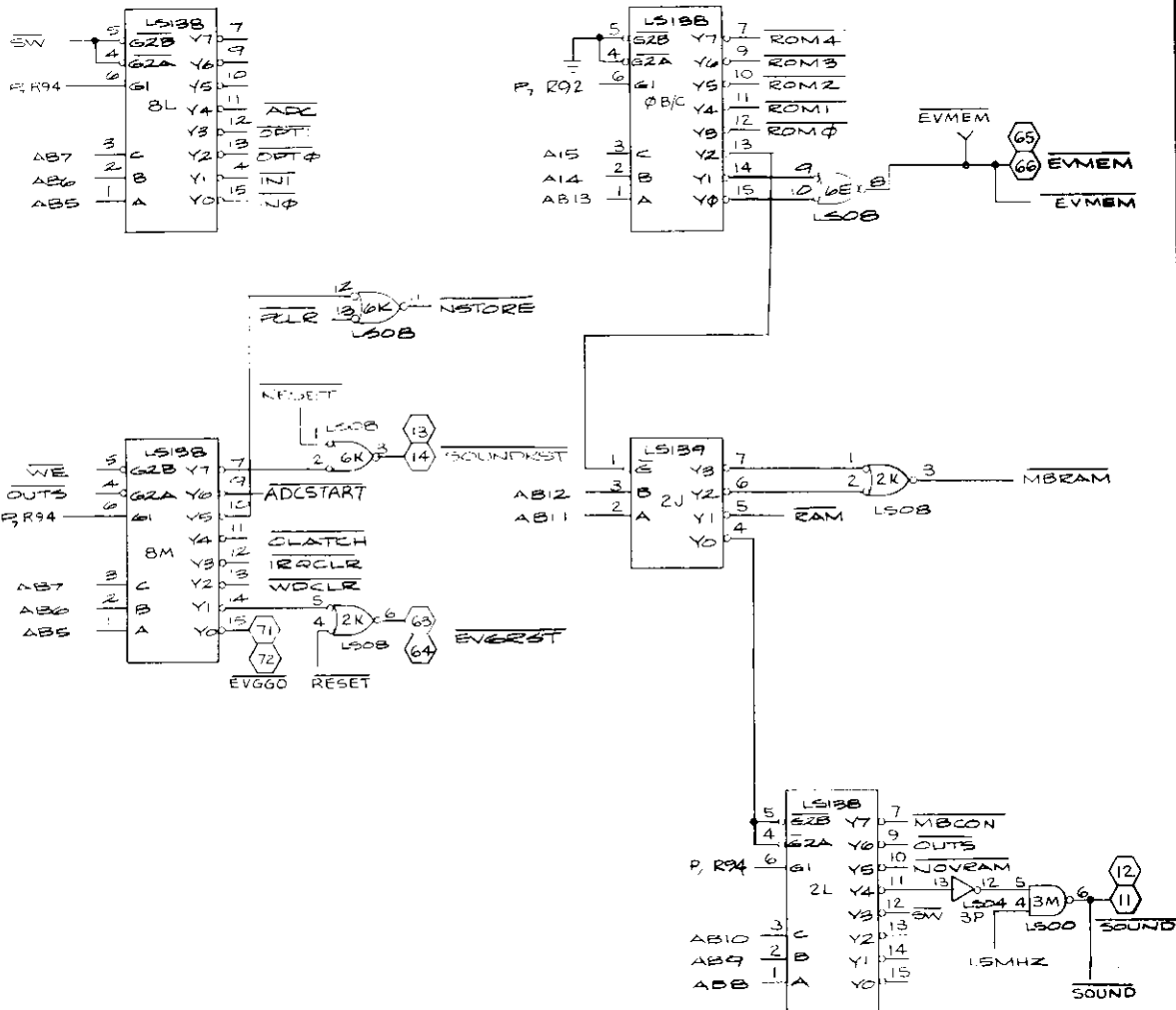


A Warner Communications Company

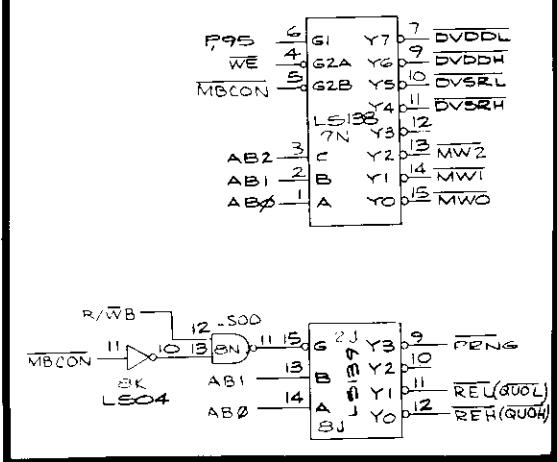
© ATARI INC. 1983

SP-225 Sheet 8A
1st printing

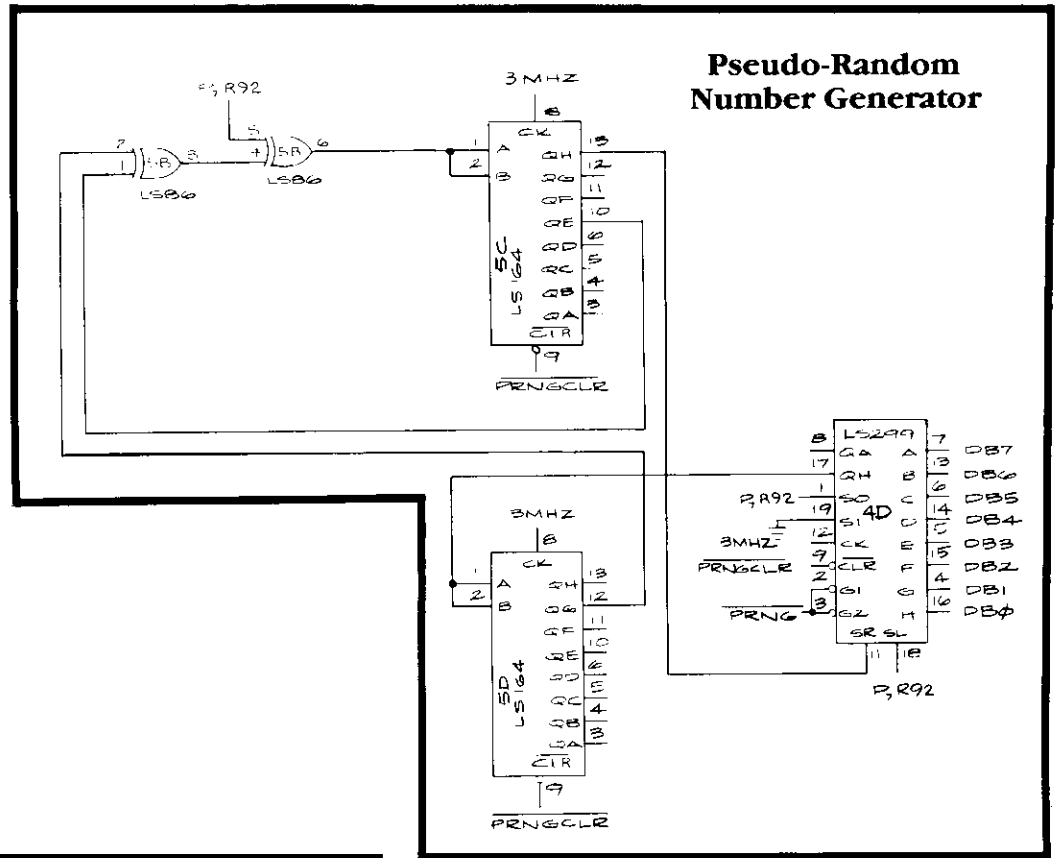
Address Decoders



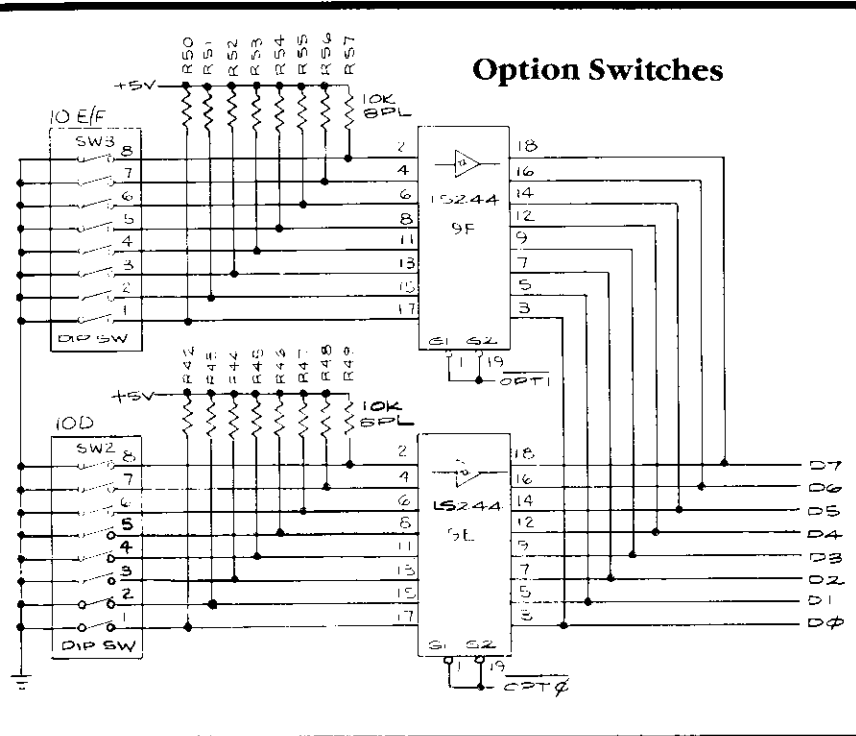
Math Address Decoders



Pseudo-Random Number Generator



Option Switches



NOTICE TO ALL PERSONS RECEIVING THIS DRAWING

CONFIDENTIAL. Reproduction forbidden without the specific written permission of Atari, Inc., Sunnyvale, CA. This drawing is only conditionally issued, and neither receipt nor possession thereof confers or transfers any right in, or license to use, the subject matter of the drawing or any design or technical information shown thereon, nor any right to reproduce this drawing or any part thereof. Except for manufacture by vendors of Atari, Inc. and for manufacture under the corporation's written license, no right is granted to reproduce this drawing or the subject matter thereof, unless by written agreement with or written permission from the corporation.

STAR WARS Main PCB

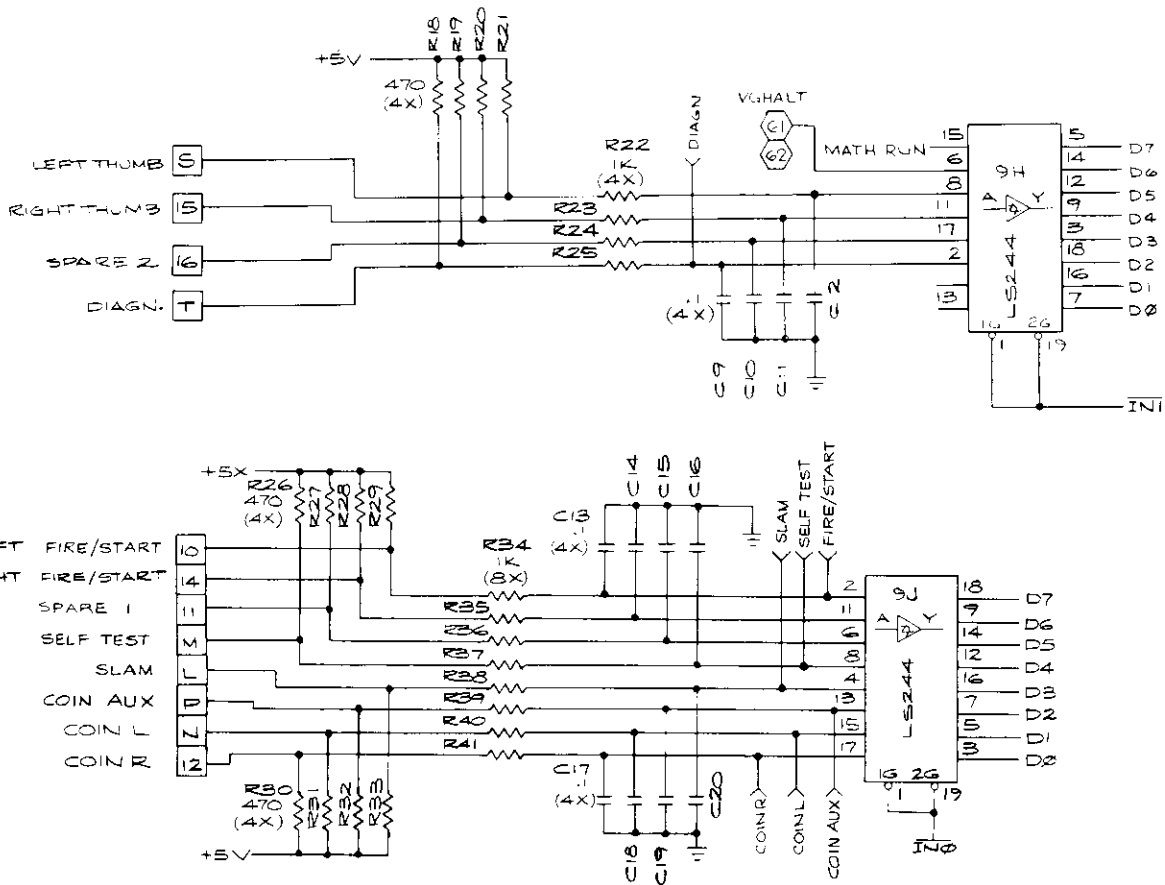


A Warner Communications Company

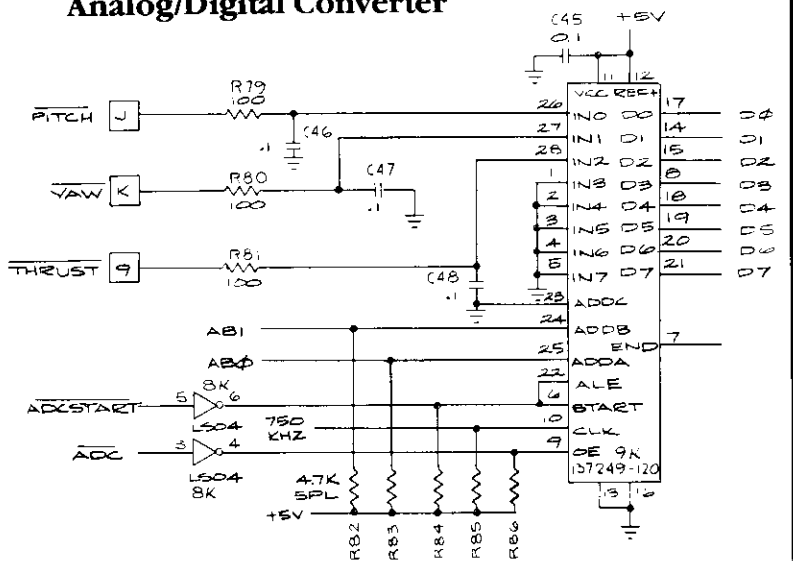
© ATARI INC. 1983

SP-225 Sheet 8B
1st printing

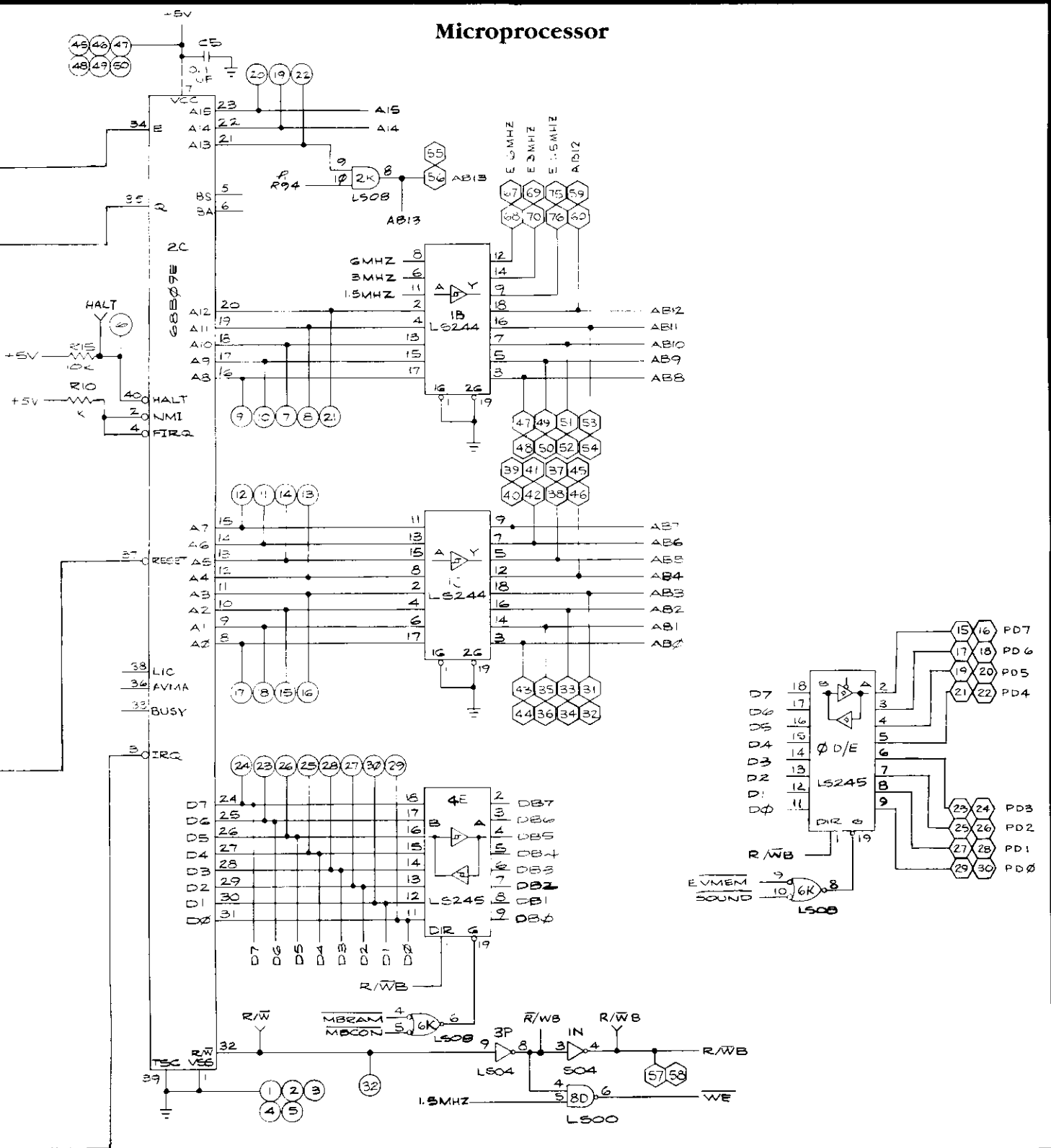
Coin Door and Control Panel Input



Analog/Digital Converter



Microprocessor



NOTICE TO ALL PERSONS RECEIVING THIS DRAWING

CONFIDENTIAL - Reproduction forbidden without the specific written permission of Atari, Inc., Sunnyvale, CA. This drawing is only conditionally issued, and neither receipt nor possession thereof confers or transfers any right in, or license to use, the subject matter of the drawing or any design or technical information shown thereon, nor any right to reproduce this drawing or any part thereof. Except for manufacture by vendors of Atari, Inc., and for manufacture under the corporation's written license, no right is granted to reproduce this drawing or the subject matter thereof, unless by written agreement with or written permission from the corporation.

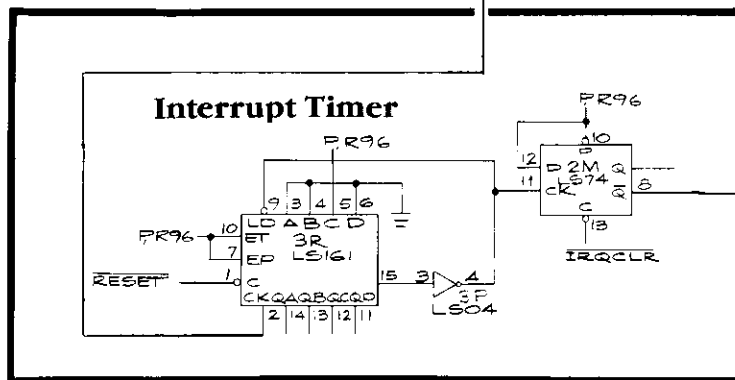
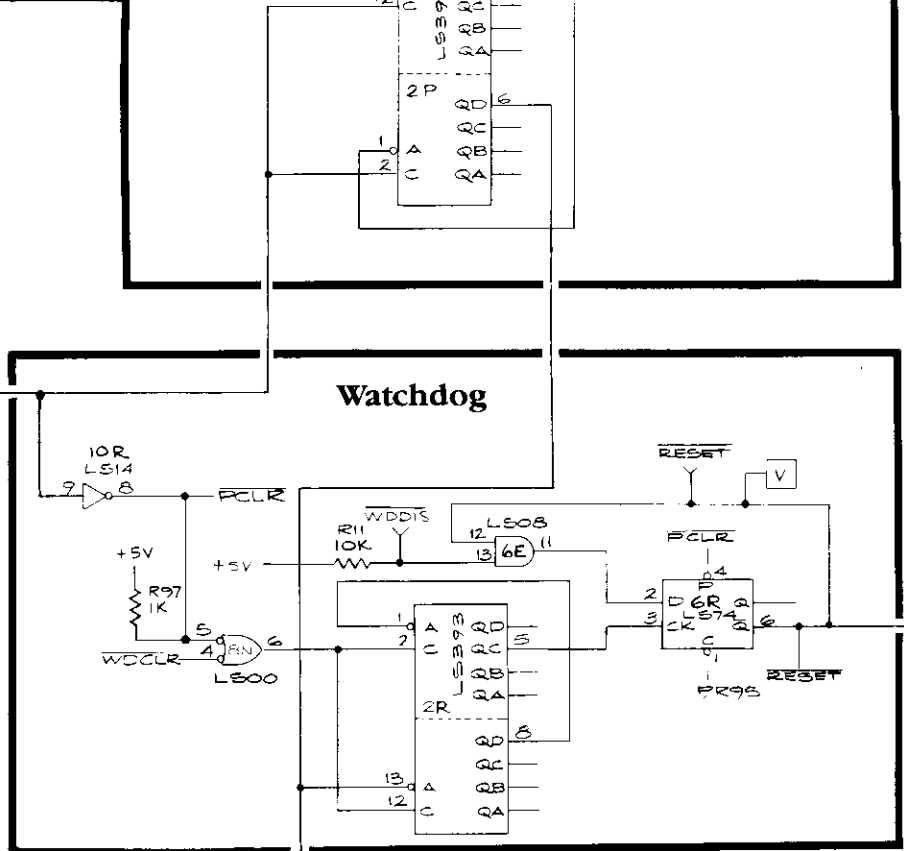
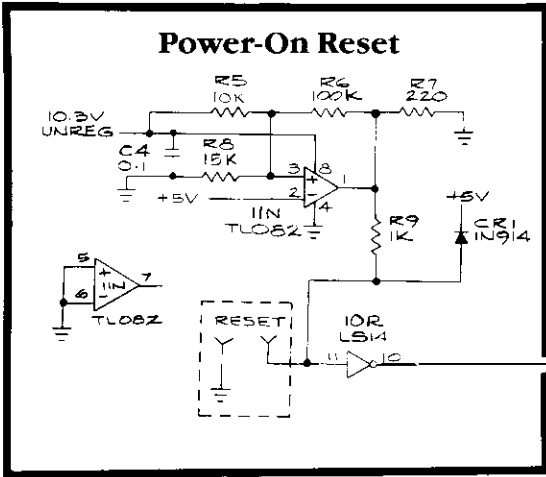
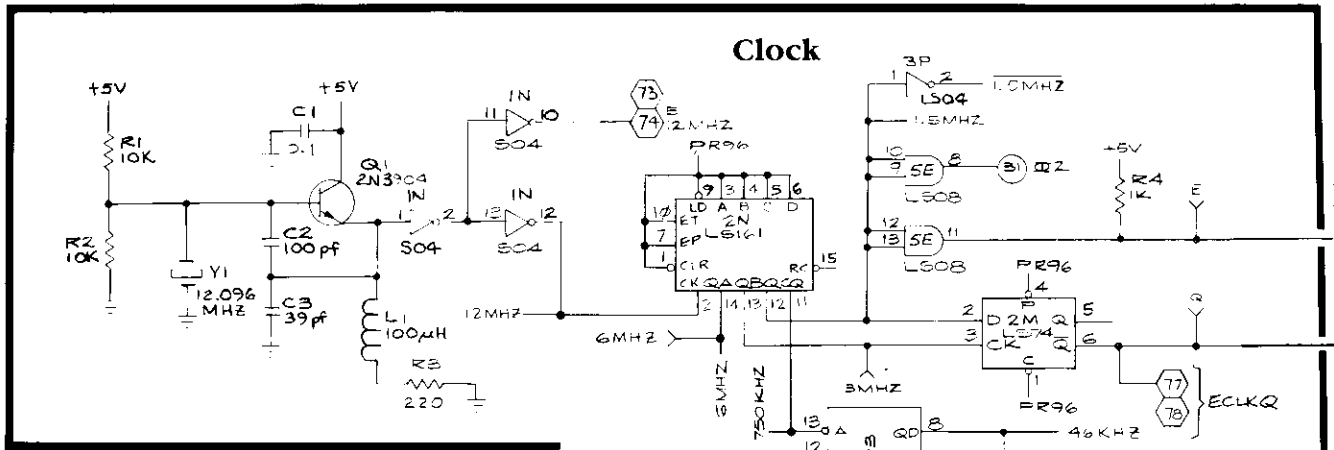
STAR WARS Main PCB

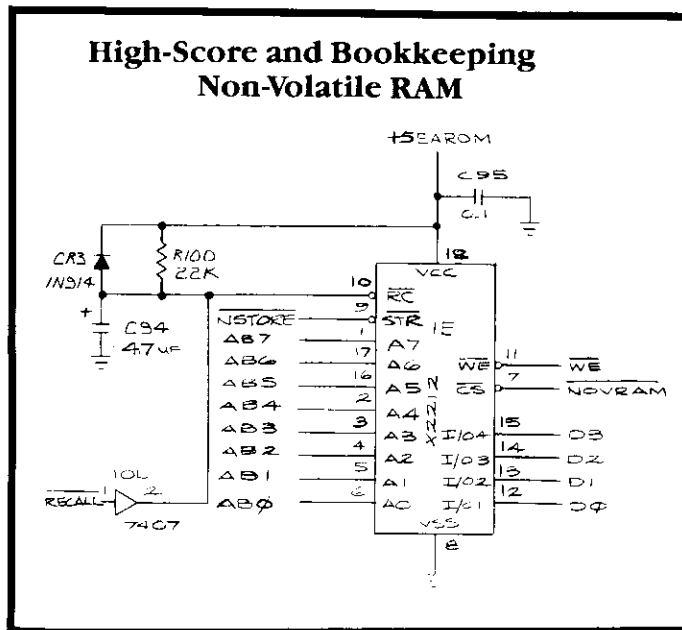
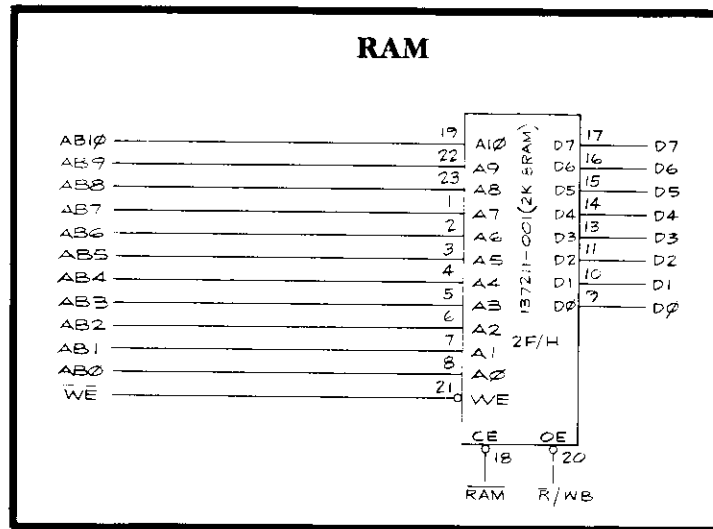


A Warner Communications Company

© ATARI INC. 1983

SP-225 Sheet 7A
1st printing





**NOTICE TO ALL PERSONS RECEIVING
THIS DRAWING**

CONFIDENTIAL. Reproduction forbidden without the specific written permission of Atari, Inc., Sunnyvale, CA. This drawing is only conditionally issued, and neither receipt nor possession thereof confers or transfers any right in, or license to use, the subject matter of the drawing or any design or technical information shown thereon, nor any right to reproduce this drawing or any part thereof. Except for manufacture by vendors of Atari, Inc., and for manufacture under the corporation's written license, no right is granted to reproduce this drawing or the subject matter thereof, unless by written agreement with or written permission from the corporation.

STAR WARS Main PCB

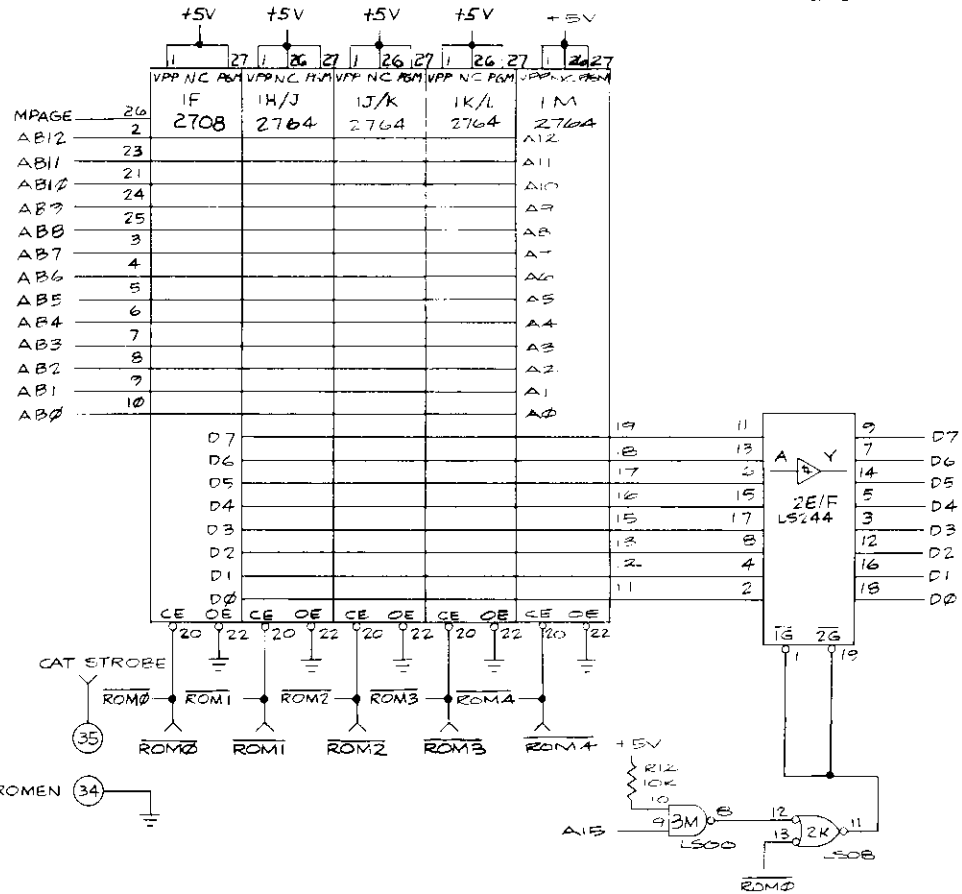


Warner Communications Company

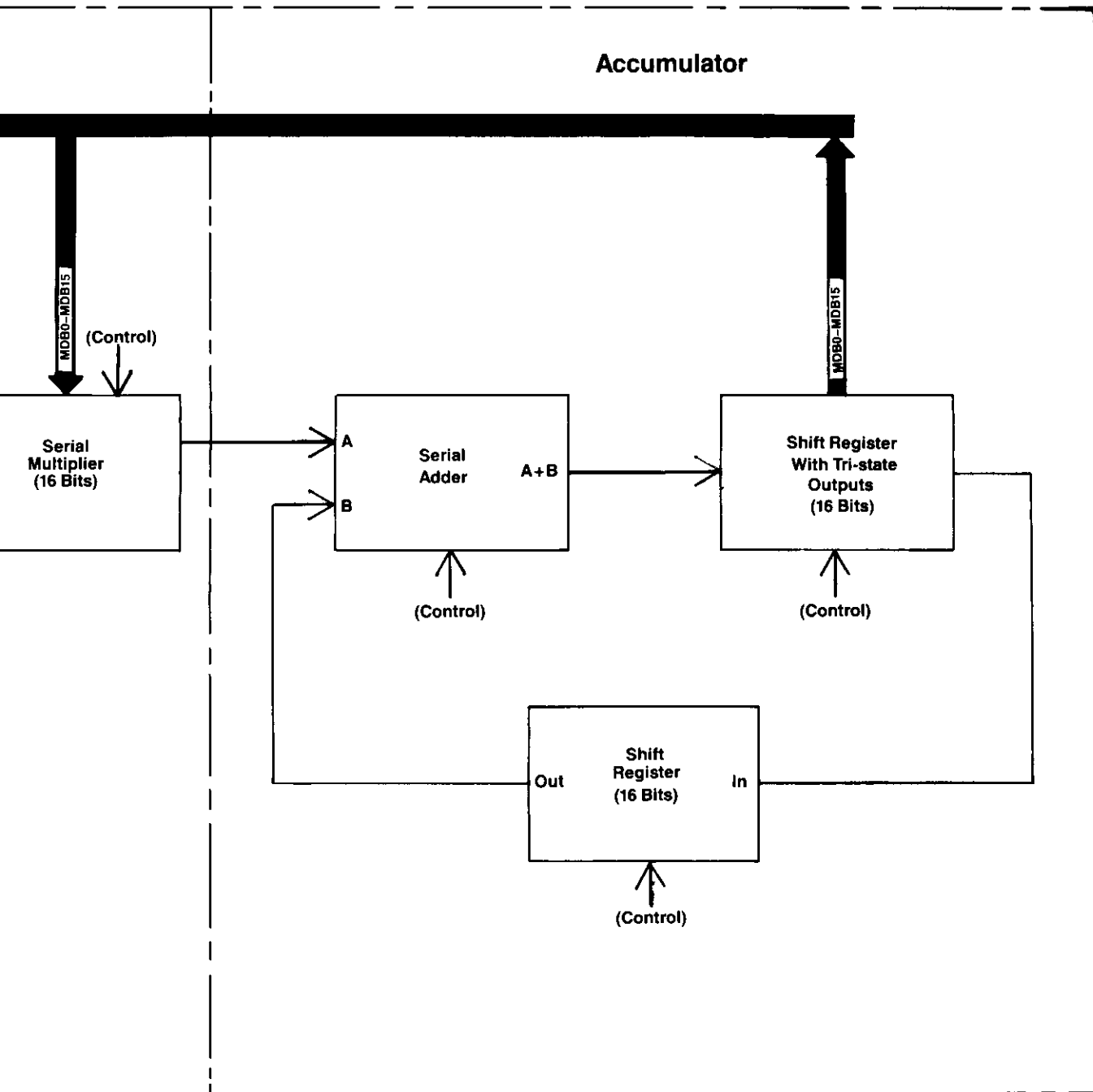
© ATARI INC. 1983

SP-225 Sheet 7B
1st printing

ROM



Accumulator
 $+ (A-B) \times C$



NOTICE TO ALL PERSONS RECEIVING THIS DRAWING

CONFIDENTIAL. Reproduction forbidden without the specific written permission of Atari, Inc., Sunnyvale, CA. This drawing is only conditionally issued, and neither receipt nor possession thereof confers or transfers any right in, or license to use, the subject matter of the drawing or any design or technical information shown thereon, nor any right to reproduce this drawing or any part thereof. Except for manufacture by vendors of Atari, Inc., and for manufacture under the corporation's written license, no right is granted to reproduce this drawing or the subject matter thereof, unless by written agreement with or written permission from the corporation.

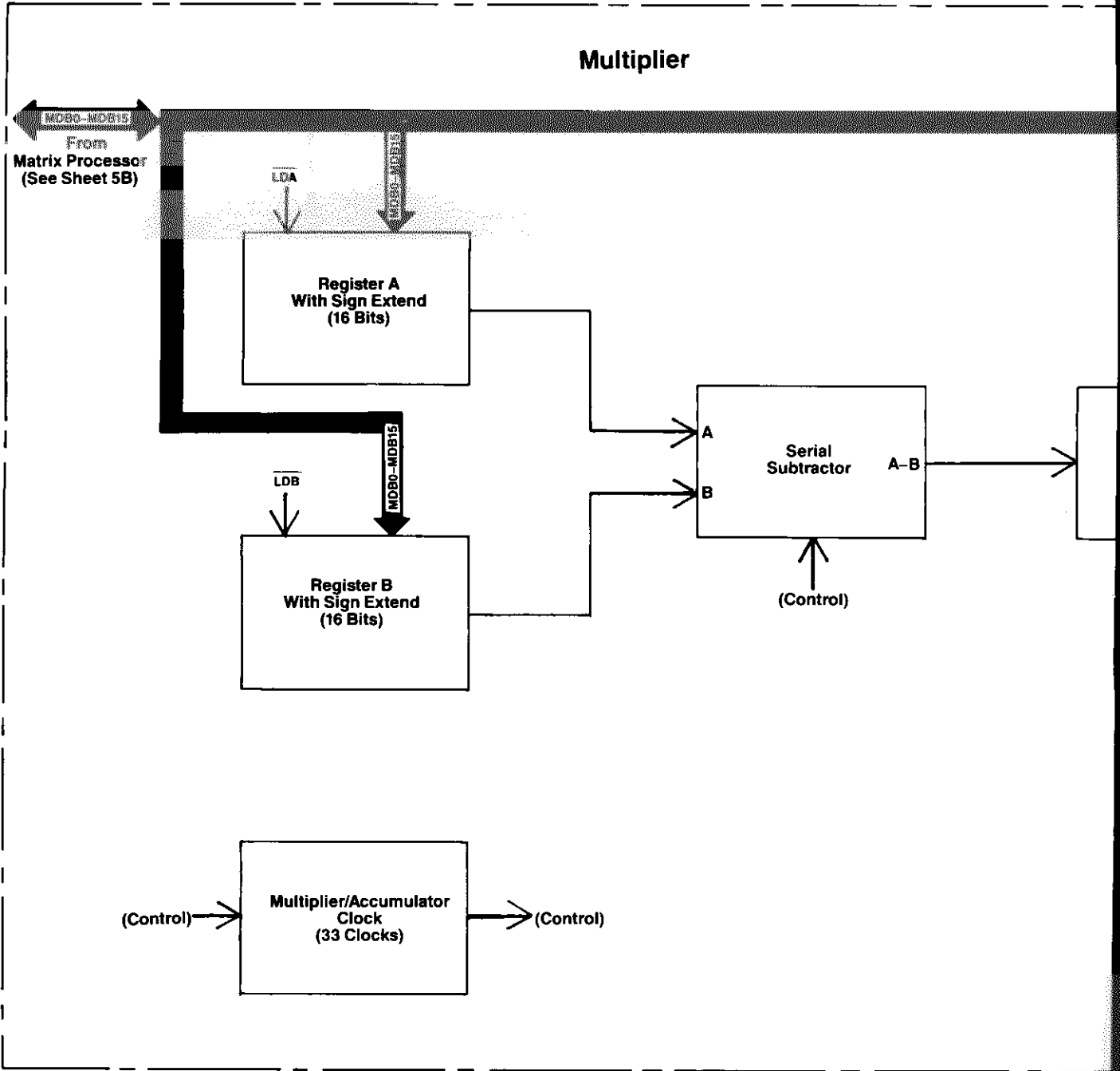
**STAR WARS Multiplier/Accumulator
 Detailed Block Diagram**

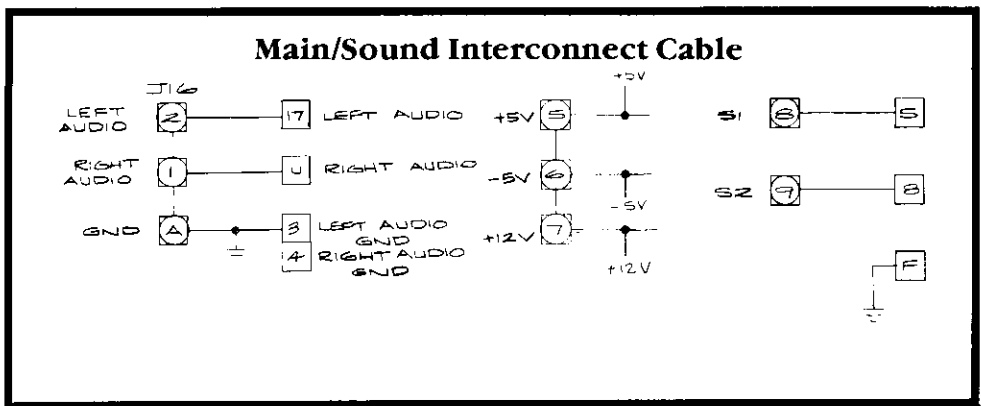


© A Warner Communications Company

© ATARI INC. 1983

SP-225 Sheet 6A
 1st printing





NOTE

- = J20 CONNECTOR
- = TEST CONNECTOR
- ◇ = J17 CONNECTOR
- ◊ = J16 CONNECTOR

NOTICE TO ALL PERSONS RECEIVING THIS DRAWING

CONFIDENTIAL. Reproduction forbidden without the specific written permission of Atari, Inc., Sunnyvale, CA. This drawing is only conditionally issued, and neither receipt nor possession thereof confers or transfers any right in, or license to use, the subject matter of the drawing or any design or technical information shown thereon, nor any right to reproduce this drawing or any part thereof. Except for manufacture by vendors of Atari, Inc., and for manufacture under the corporation's written license, no right is granted to reproduce this drawing or the subject matter thereof, unless by written agreement with or written permission from the corporation.

STAR WARS Main PCB

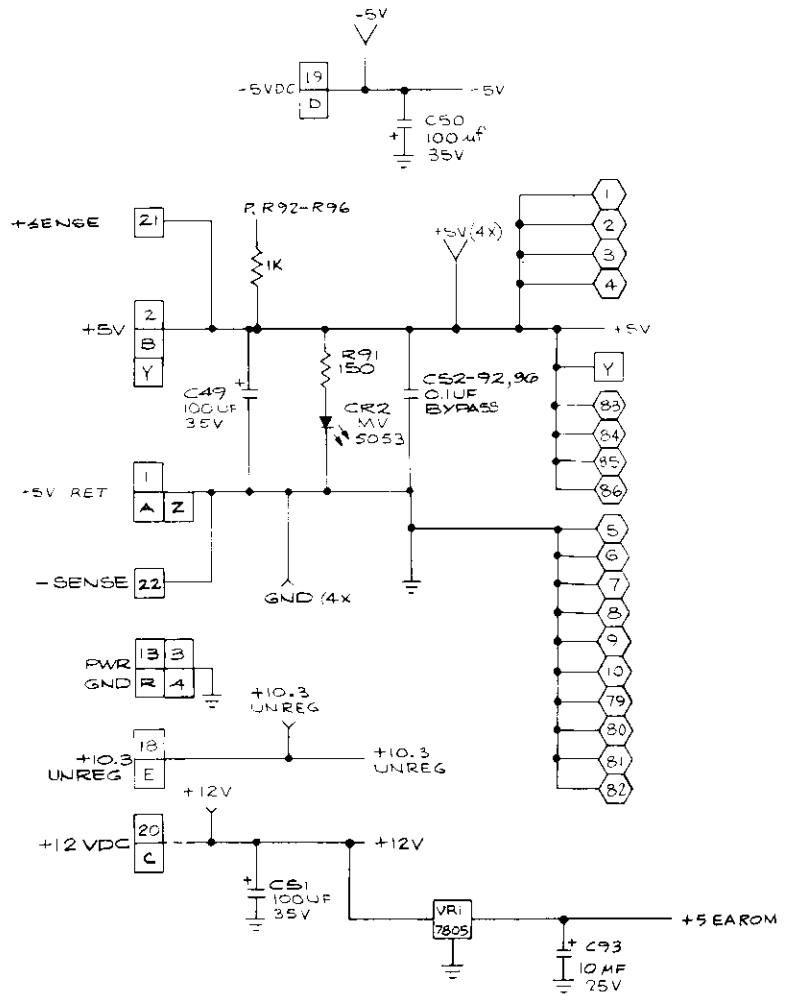


A Warner Communications Company

© ATARI INC. 1983

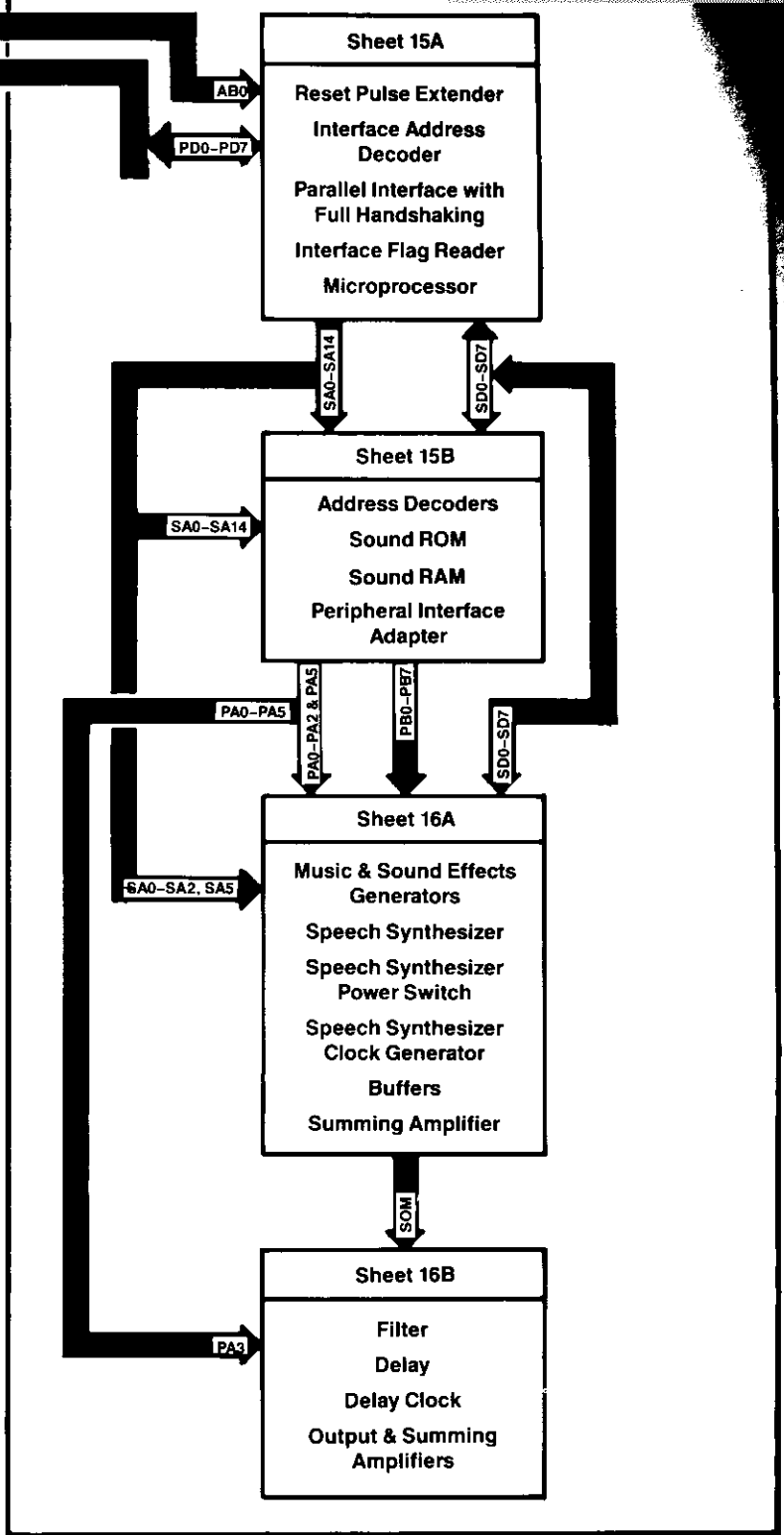
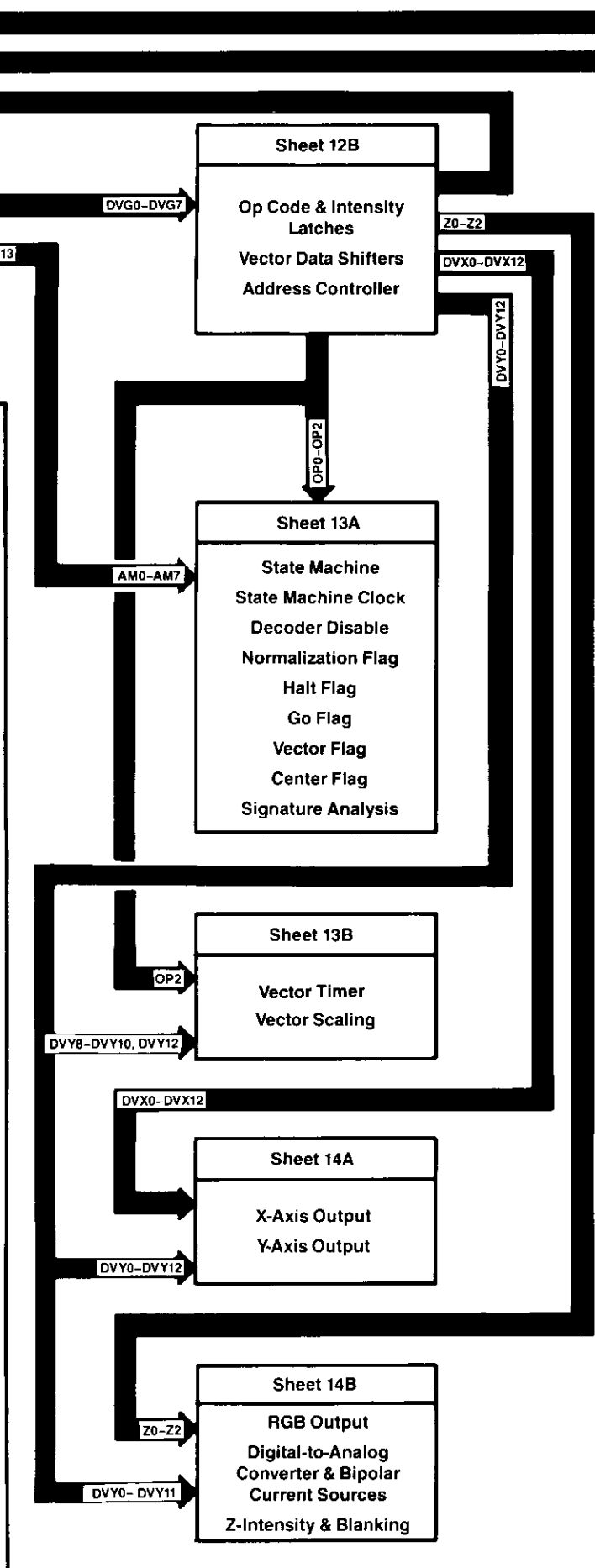
SP-225 Sheet 6B
1st printing

Power Input



ector Generator PCB

Sound PCB



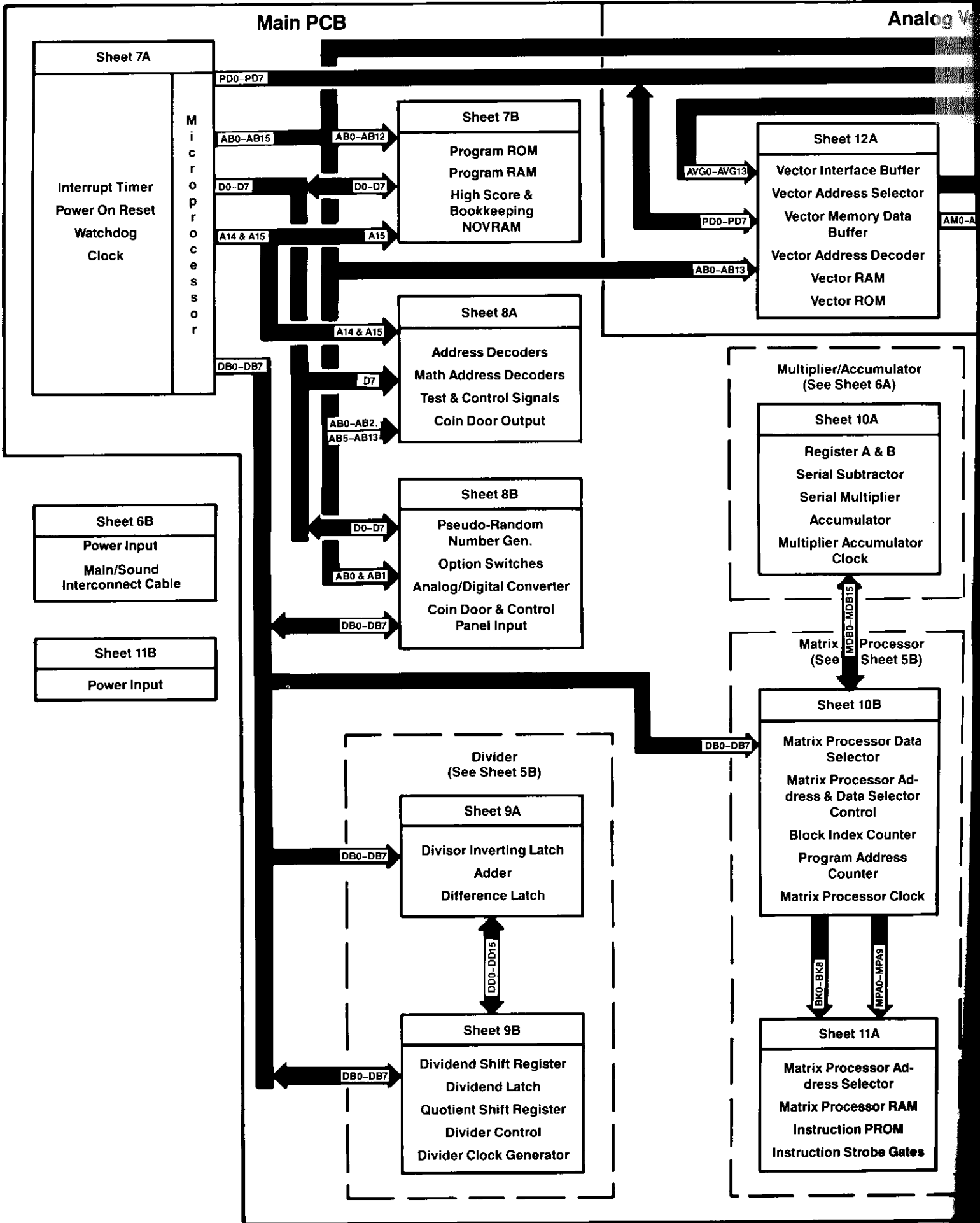
STAR WARS Functional Block Diagram
and Guide to PCB Schematics



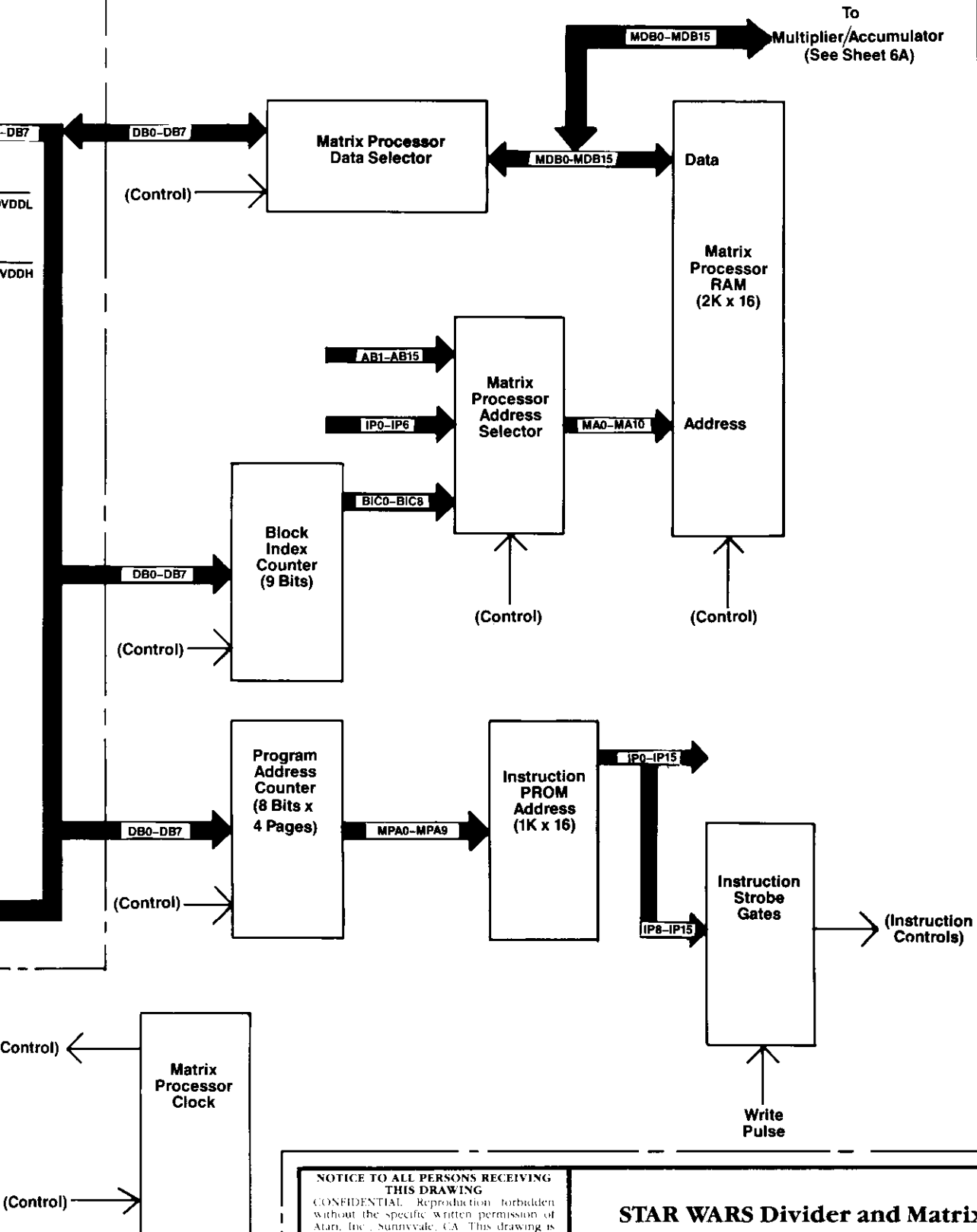
A Warner Communications Company

ATARI INC. 1983

SP-225 Sheet 5A
1st printing



Matrix Processor



NOTICE TO ALL PERSONS RECEIVING THIS DRAWING

CONFIDENTIAL - Reproduction forbidden without the specific written permission of Atari, Inc., Sunnyvale, CA. This drawing is only conditionally issued, and neither receipt nor possession thereof confers or transfers any right in, or license to use, the subject matter of the drawing or any design or technical information shown thereon, nor any right to reproduce this drawing or any part thereof. Except for manufacture by vendors of Atari, Inc., and for manufacture under the corporation's written license, no right is granted to reproduce this drawing or the subject matter thereof, unless by written agreement with or written permission from the corporation.

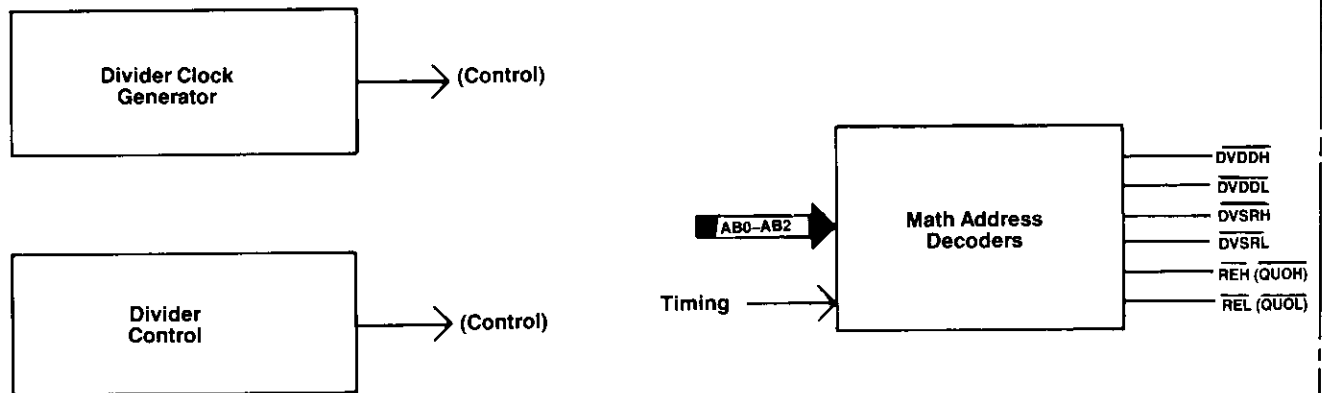
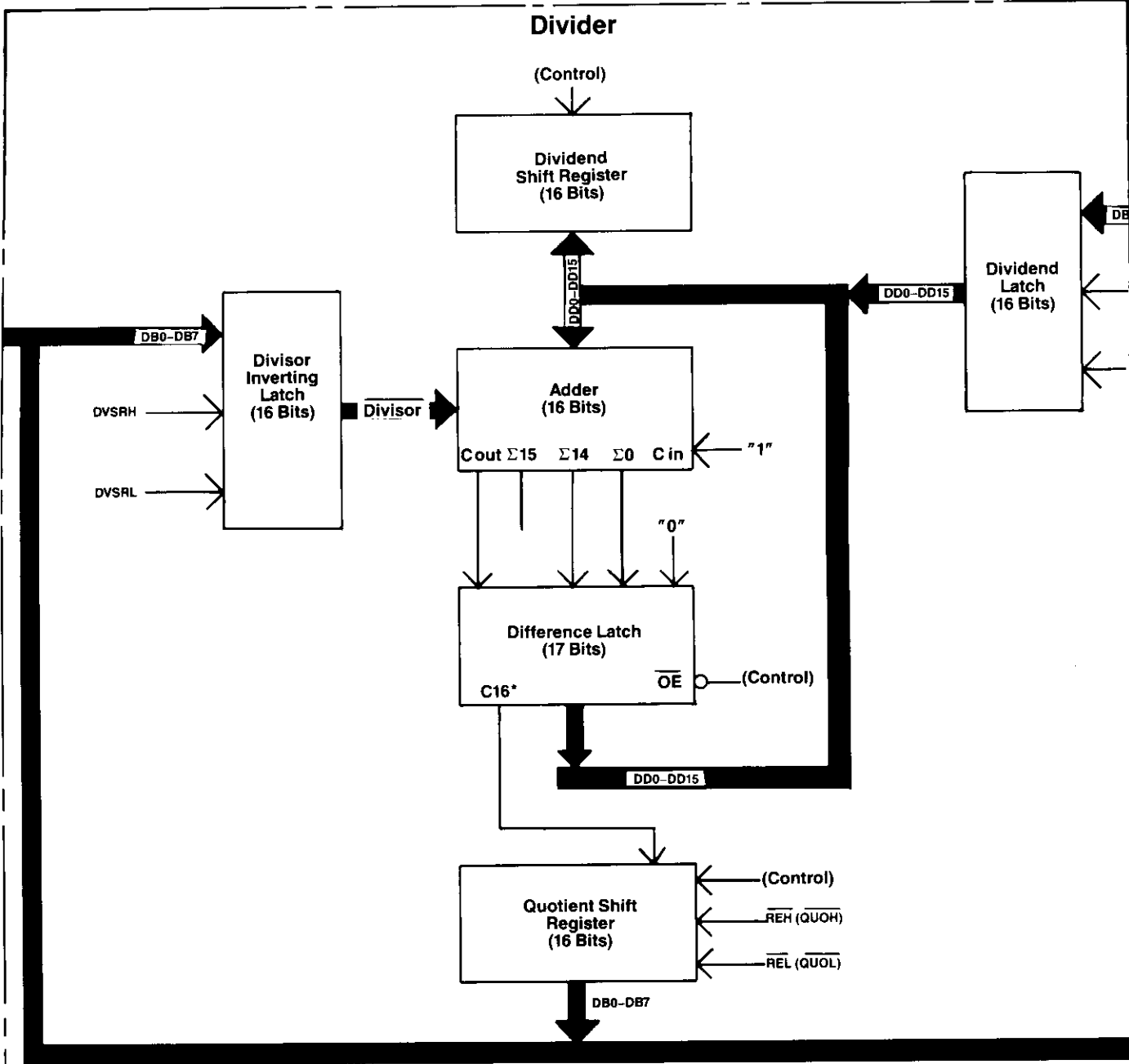
**STAR WARS Divider and Matrix Processor
Detailed Block Diagrams**



A Warner Communications Company

© ATARI INC. 1983

SP-225 Sheet 5B
1st printing



READ/ WRITE	DATA BUS SIGNAL LINES								FUNCTION
	D7	D6	D5	D4	D3	D2	D1	D0	
R/W	D	D	D	D	D	D	D	D	VRAM0
R/W	D	D	D	D	D	D	D	D	VRAM1
R/W	D	D	D	D	D	D	D	D	VRAM2
R/W	D	D	D	D	D	D	D	D	VRAM3
R/W	D	D	D	D	D	D	D	D	VRAM4
R/W	D	D	D	D	D	D	D	D	VRAM5
R	D	D	D	D	D	D	D	D	VROM
R	D								LEFT F/S
R		D							RIGHT F/S
R			D						SPARE 1
R				D					SELF-TEST
R					D				SLAM
R						D			COIN AUX
R							D		COIN L
R								D	COIN R
R	D								MATH RUN
R		D							VGHALT
R			D						LEFT THUMB
R				D					RIGHT THUMB
R					D				SPARE 2
R						D			DIAGN
R							D		Unused
R								D	Unused
R	D	D	D	D	D	D	D	D	OPT 0
R	D	D	D	D	D	D	D	D	OPT 1
R	D	D	D	D	D	D	D	D	ADC
R	D	D	D	D	D	D	D	D	MAINREAD
W	D	D	D	D	D	D	D	D	MAINWR
R	D								MAIN READY FLAG
R		D							SOUND READY FLAG
R/W				D	D	D	D		NOVRAM

NOTICE TO ALL PERSONS RECEIVING THIS DRAWING

CONFIDENTIAL. Reproduction forbidden without the specific written permission of Atari, Inc., Sunnyvale, CA. This drawing is only conditionally issued, and neither receipt nor possession thereof confers or transfers any right in, or license to use, the subject matter of the drawing or any design or technical information shown thereon, nor any right to reproduce this drawing or any part thereof. Except for manufacture by vendors of Atari, Inc., and for manufacture under the corporation's written license, no right is granted to reproduce this drawing or the subject matter thereof, unless by written agreement with or written permission from the corporation.

STAR WARS Memory Map -part 1



A Warner Communications Company

© ATARI INC. 1983

SP-225 Sheet 4A
1st printing

READ/ WRITE	DATA BUS SIGNAL LINES								FUNCTION
	D7	D6	D5	D4	D3	D2	D1	D0	
W									<u>EVGGO</u>
W									<u>EVGRES</u>
W									<u>WDCLR</u>
W									<u>IRQCLR</u>
W	D								<u>COIN CNTR 2</u>
W	D								<u>COIN CNTR 1</u>
W	D								<u>LED 3</u>
W	D								<u>LED 2</u>
W	D								<u>SASS</u>
W	D								<u>PRNGCLR</u>
W	D								<u>LED 1</u>
W	D								<u>RECALL</u>
W									<u>NSTORE</u>
W									<u>ADCSTART 0</u>
W									<u>ADCSTART 1</u>
W									<u>ADCSTART 2</u>
W									<u>SOUNDRST</u>
R	D	D	D	D	D	D	D	D	<u>REH</u>
W	D	D	D	D	D	D	D	D	<u>MWO</u>
R	D	D	D	D	D	D	D	D	<u>REL</u>
W								D	<u>MW1</u>
W	D	D	D	D	D	D	D	D	<u>MW2</u>
R	D	D	D	D	D	D	D	D	<u>PRNG</u>
W	D	D	D	D	D	D	D	D	<u>DVSRH</u>
W	D	D	D	D	D	D	D	D	<u>DVSRL</u>
W	D	D	D	D	D	D	D	D	<u>DVDDH</u>
W	D	D	D	D	D	D	D	D	<u>DVDDL</u>
R/W	D	D	D	D	D	D	D	D	<u>RAM</u>
R/W	D	D	D	D	D	D	D	D	<u>MBRAM</u>
R	D	D	D	D	D	D	D	D	<u>ROM 0</u>
R	D	D	D	D	D	D	D	D	<u>ROM 1</u>
R	D	D	D	D	D	D	D	D	<u>ROM 2</u>
R	D	D	D	D	D	D	D	D	<u>ROM 3</u>
R	D	D	D	D	D	D	D	D	<u>ROM 4</u>

NOTICE TO ALL PERSONS RECEIVING THIS DRAWING

CONFIDENTIAL. Reproduction forbidden without the specific written permission of Atari, Inc., Sunnyvale, CA. This drawing is only conditionally issued, and neither receipt nor possession thereof confers or transfers any right in, or license to use, the subject matter of the drawing or any design or technical information shown thereon, nor any right to reproduce this drawing or any part thereof. Except for manufacture by vendors of Atari, Inc., and for manufacture under the corporation's written license, no right is granted to reproduce this drawing or the subject matter thereof, unless by written agreement with or written permission from the corporation.

STAR WARS Memory Map -part 2

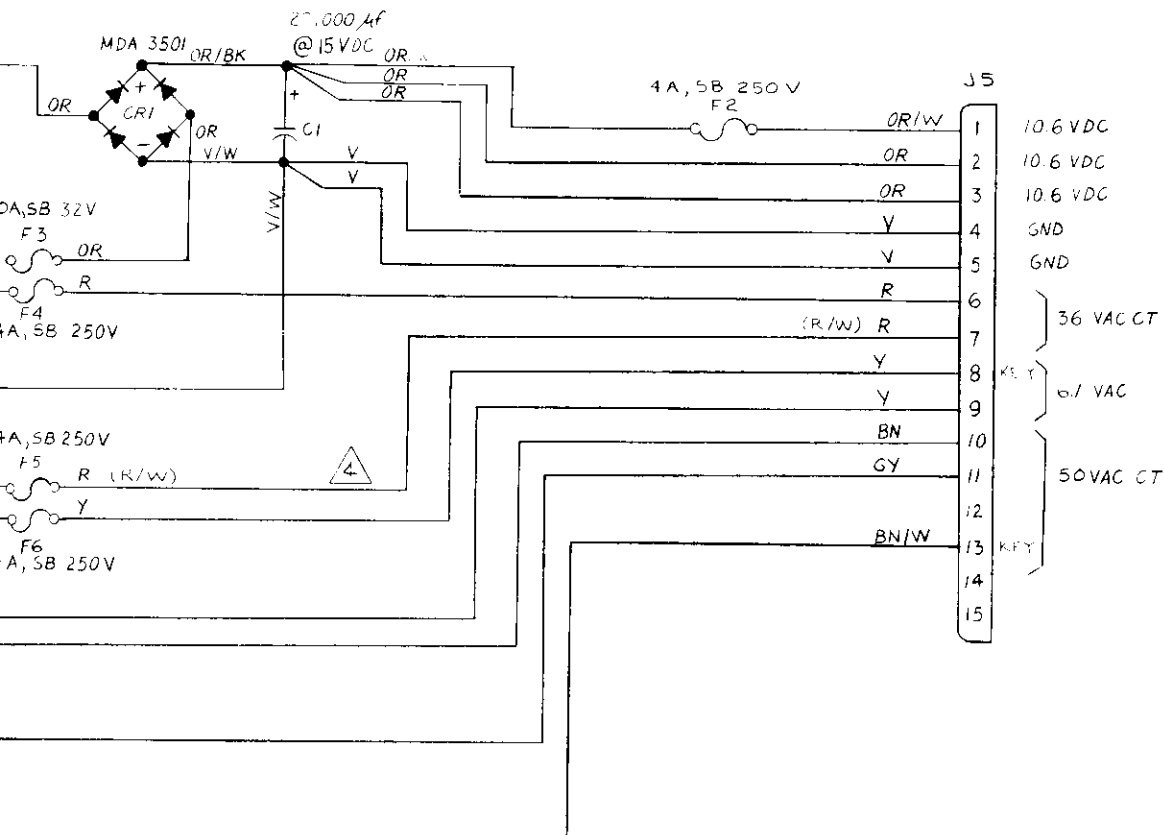


A Warner Communications Company

© ATARI, INC. 1983

SP-225 Sheet 4B
1st printing

Color X-Y Power Supply Wiring Diagram



NOTES:

1. POWER CORD ASSY MAY HAVE WIRE COLORS AS SHOWN OR WIRE COLORS AS FOLLOWS: ONE BLACK WIRE (AC), ONE GREEN WIRE (GND), & ONE WHITE WIRE (NEUTRAL).
2. USE 4 AMP 5B 250V FUSE AT F1 WITH 220 V & 240 V (EUROPEAN ONLY).
3. CONNECTOR J4B USED IN -04 THRU -06 VERSIONS OF A037396-XX ONLY.
4. ALTERNATE WIRE COLOR IS IN PARENTHESES.

NOTICE TO ALL PERSONS RECEIVING THIS DRAWING

CONFIDENTIAL. Reproduction forbidden without the specific written permission of Atari, Inc., Sunnyvale, CA. This drawing is only conditionally issued, and neither receipt nor possession thereof confers or transfers any right in, or license to use, the subject matter of the drawing or any design or technical information shown thereon, nor any right to reproduce this drawing or any part thereof. Except for manufacture by vendors of Atari, Inc., and for manufacture under the corporation's written license, no right is granted to reproduce this drawing or the subject matter thereof, unless by written agreement with or written permission from the corporation.

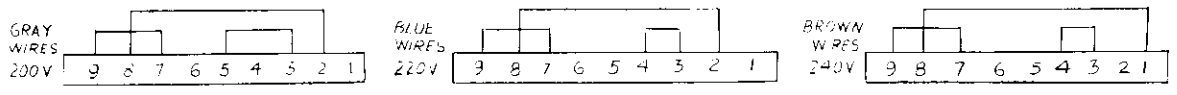
STAR WARS Color X-Y Power Supply Wiring Diagram



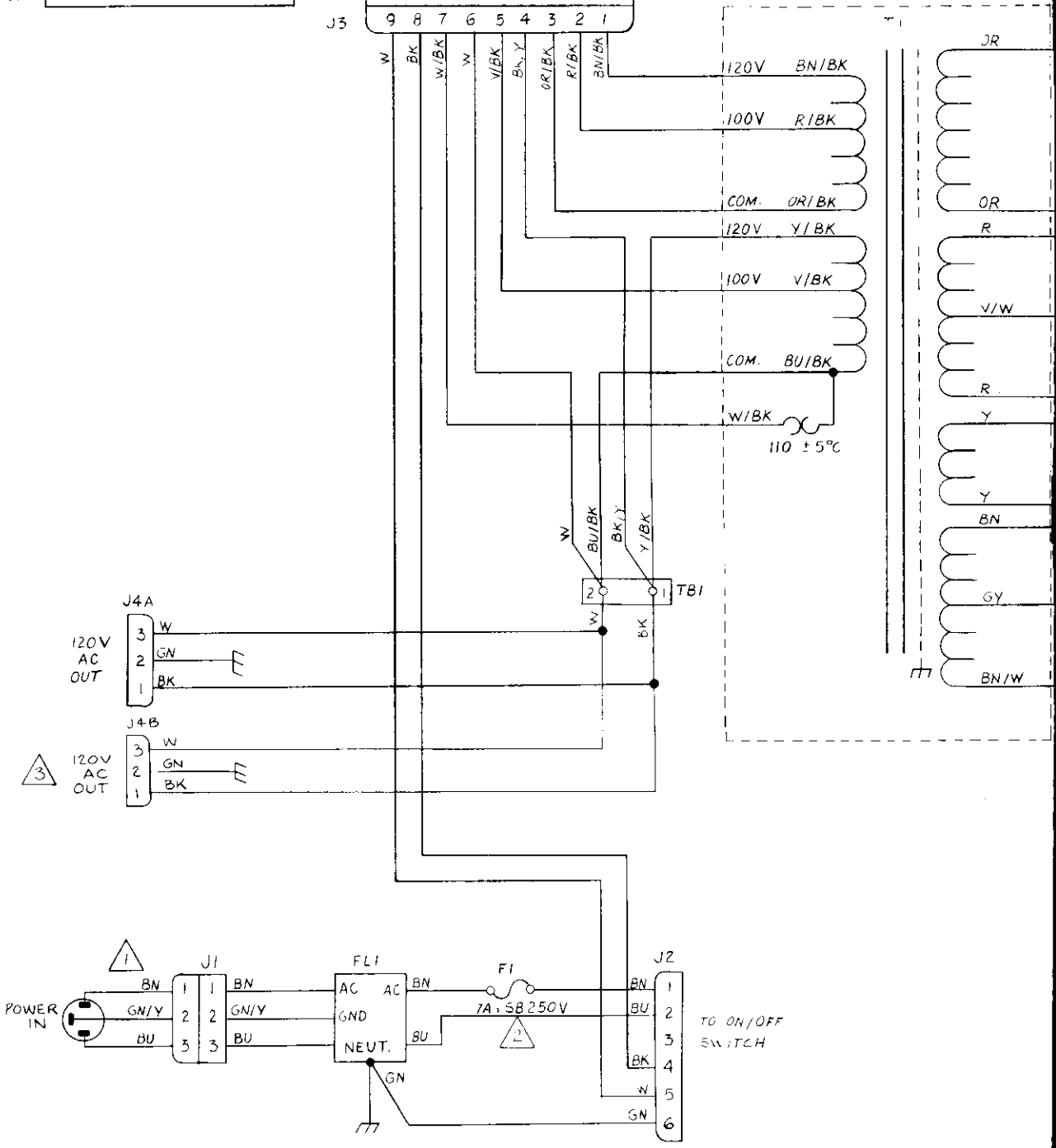
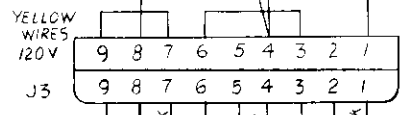
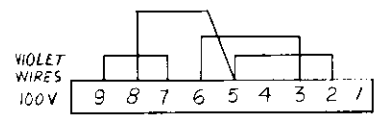
© A Warner Communications Company

© ATARI INC. 1985

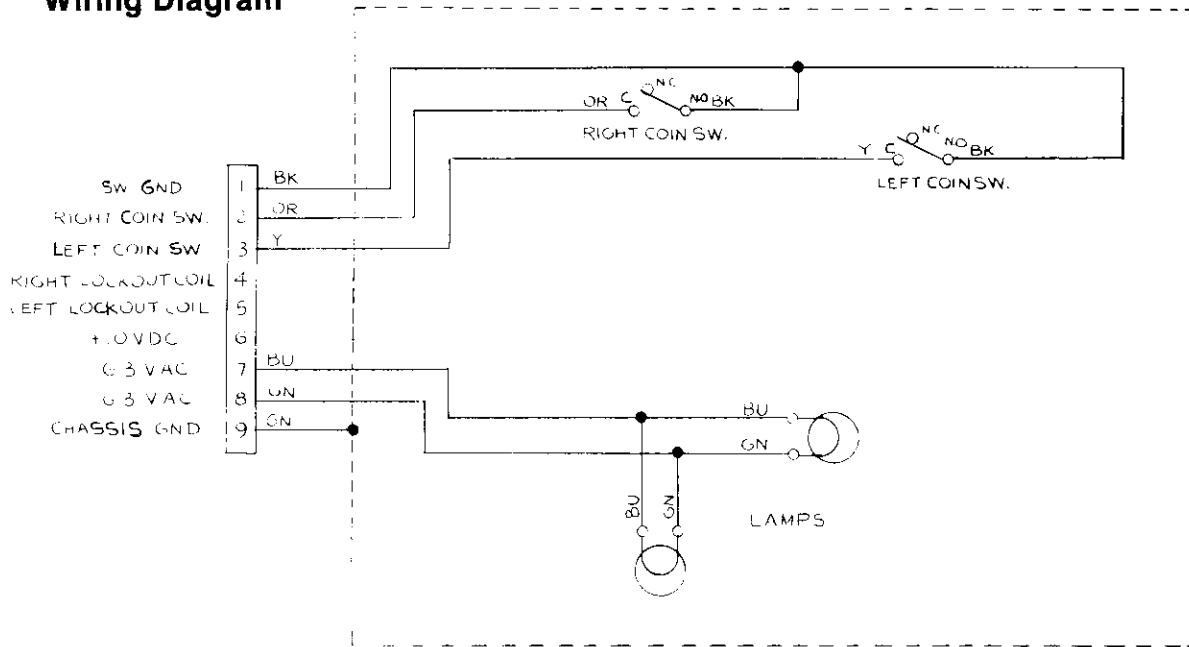
SP-225 Sheet 3A
1st printing



VOLTAGE SELECTION BLOCKS



Coin Door Wiring Diagram



NOTICE TO ALL PERSONS RECEIVING THIS DRAWING

CONFIDENTIAL: Reproduction forbidden without the specific written permission of Atari, Inc., Sunnyvale, CA. This drawing is only conditionally issued, and neither receipt nor possession thereof confers or transfers any right in, or license to use, the subject matter of the drawing or any design or technical information shown thereon, nor any right to reproduce this drawing or any part thereof. Except for manufacture by vendors of Atari, Inc., and for manufacture under the corporation's written license, no right is granted to reproduce this drawing or the subject matter thereof, unless by written agreement with or written permission from the corporation.

STAR WARS Game Interfaces

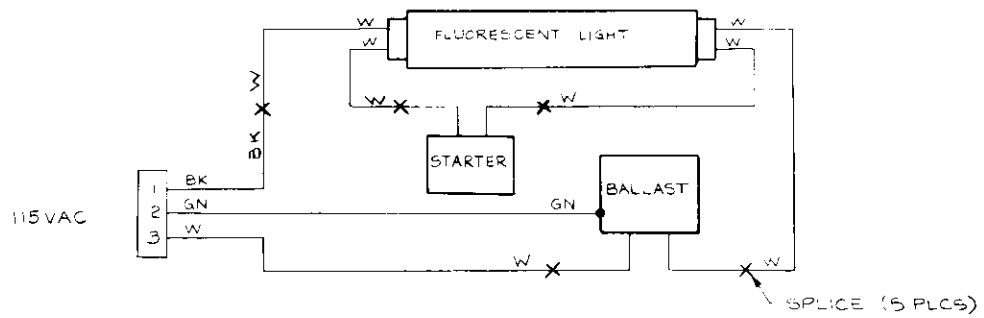


Warner Communications Company

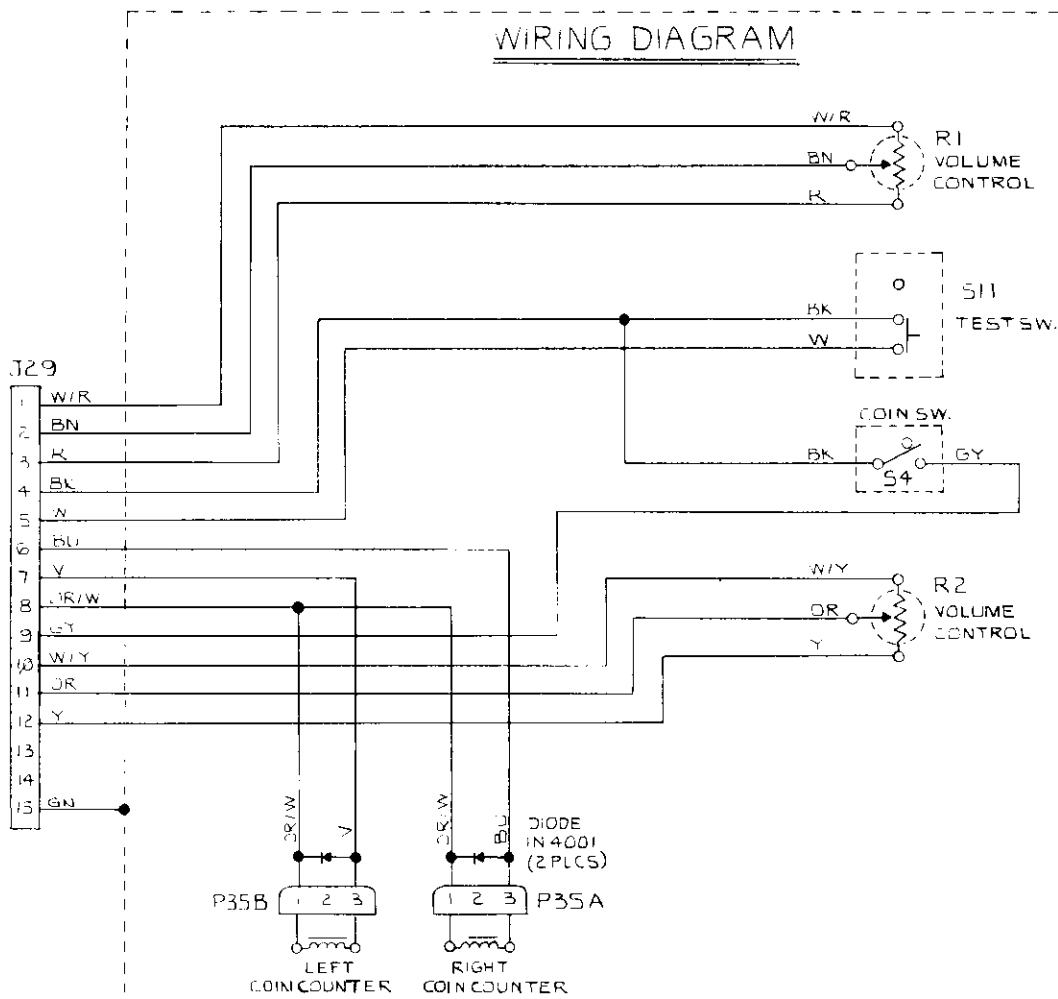
© ATARI INC. 1983

SP-225 Sheet 3B
1st printing

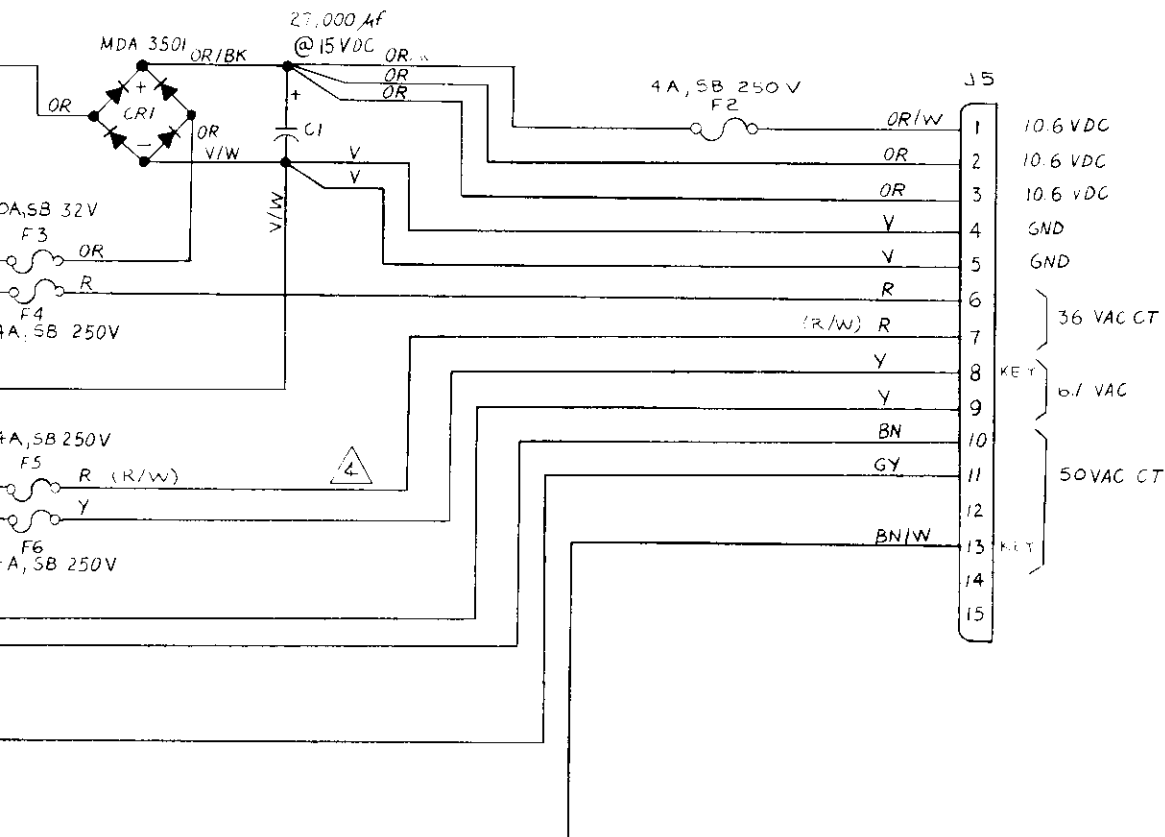
Fluorescent Light Wiring Diagram



Utility Panel Wiring Diagram



Color X-Y Power Supply Wiring Diagram



NOTES:

1. POWER CORD ASSY MAY HAVE WIRE COLORS AS SHOWN OR WIRE COLORS AS FOLLOWS: ONE BLACK WIRE (AC), ONE GREEN WIRE (GND), & ONE WHITE WIRE (NEUTRAL).
2. USE 4 AMP 5B 250V FUSE AT F1 WITH 220 V & 240 V (EUROPEAN ONLY).
3. CONNECTOR J4B IS USED IN -04 THRU -06 VERSIONS OF A037396-XX ONLY.
4. ALTERNATE WIRE COLOR IS IN PARENTHESES.

NOTICE TO ALL PERSONS RECEIVING THIS DRAWING

CONFIDENTIAL. Reproduction forbidden without the specific written permission of Atari, Inc., Sunnyvale, CA. This drawing is only conditionally issued, and neither receipt nor possession thereof confers or transfers any right in, or license to use, the subject matter of the drawing or any design or technical information shown thereon, nor any right to reproduce this drawing or any part thereof. Except for manufacture by vendors of Atari, Inc., and for manufacture under the corporation's written license, no right is granted to reproduce this drawing or the subject matter thereof, unless by written agreement with or written permission from the corporation.

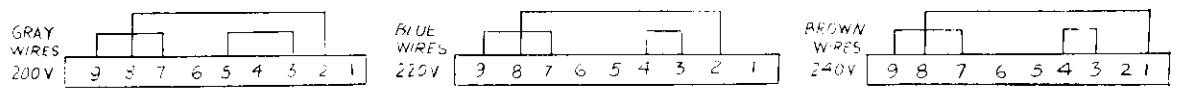
STAR WARS Color X-Y Power Supply Wiring Diagram



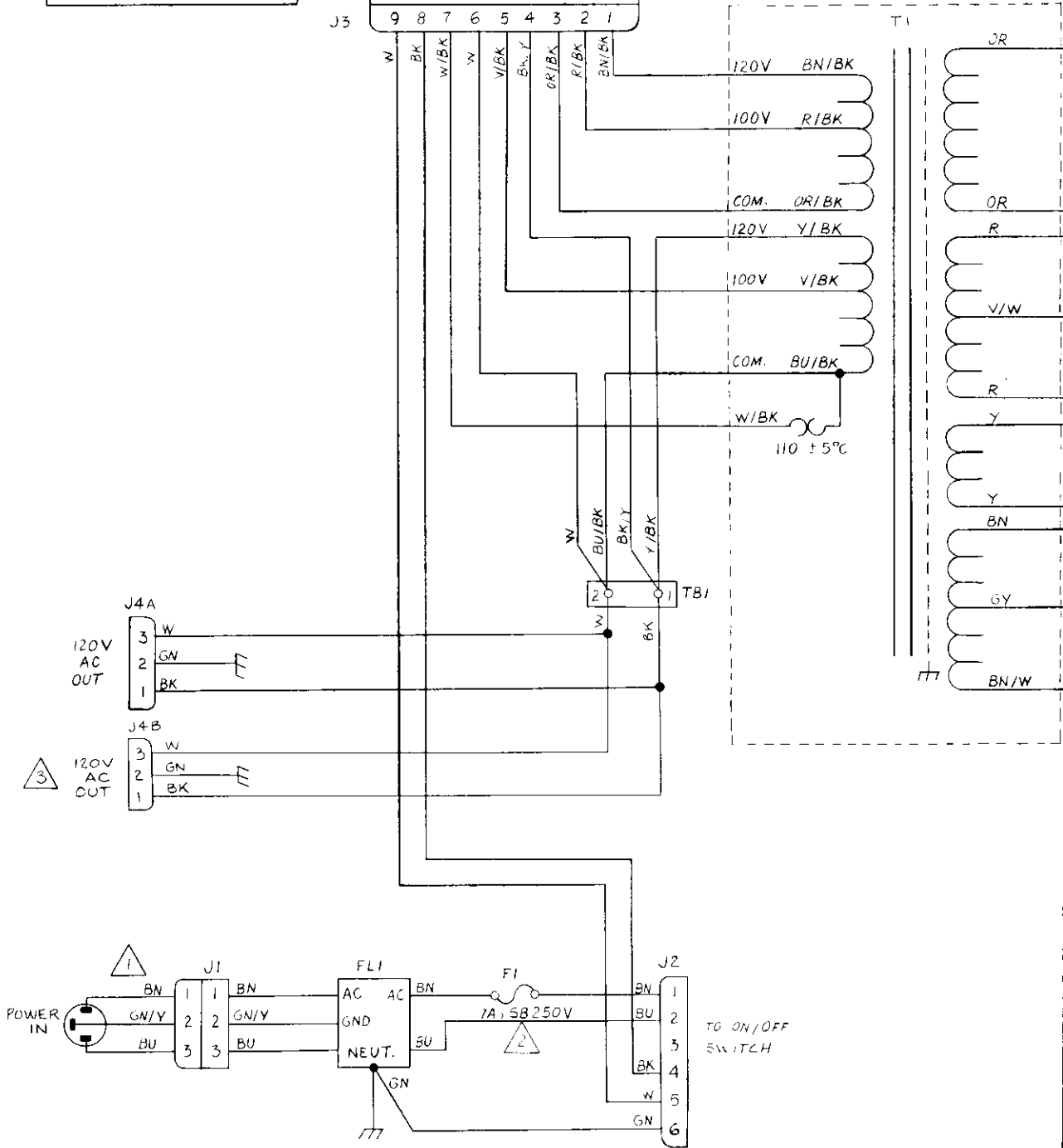
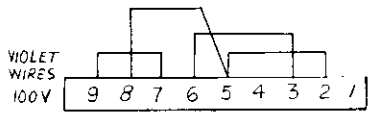
ATARI®
A Warner Communications Company

ATARI INC. 1983

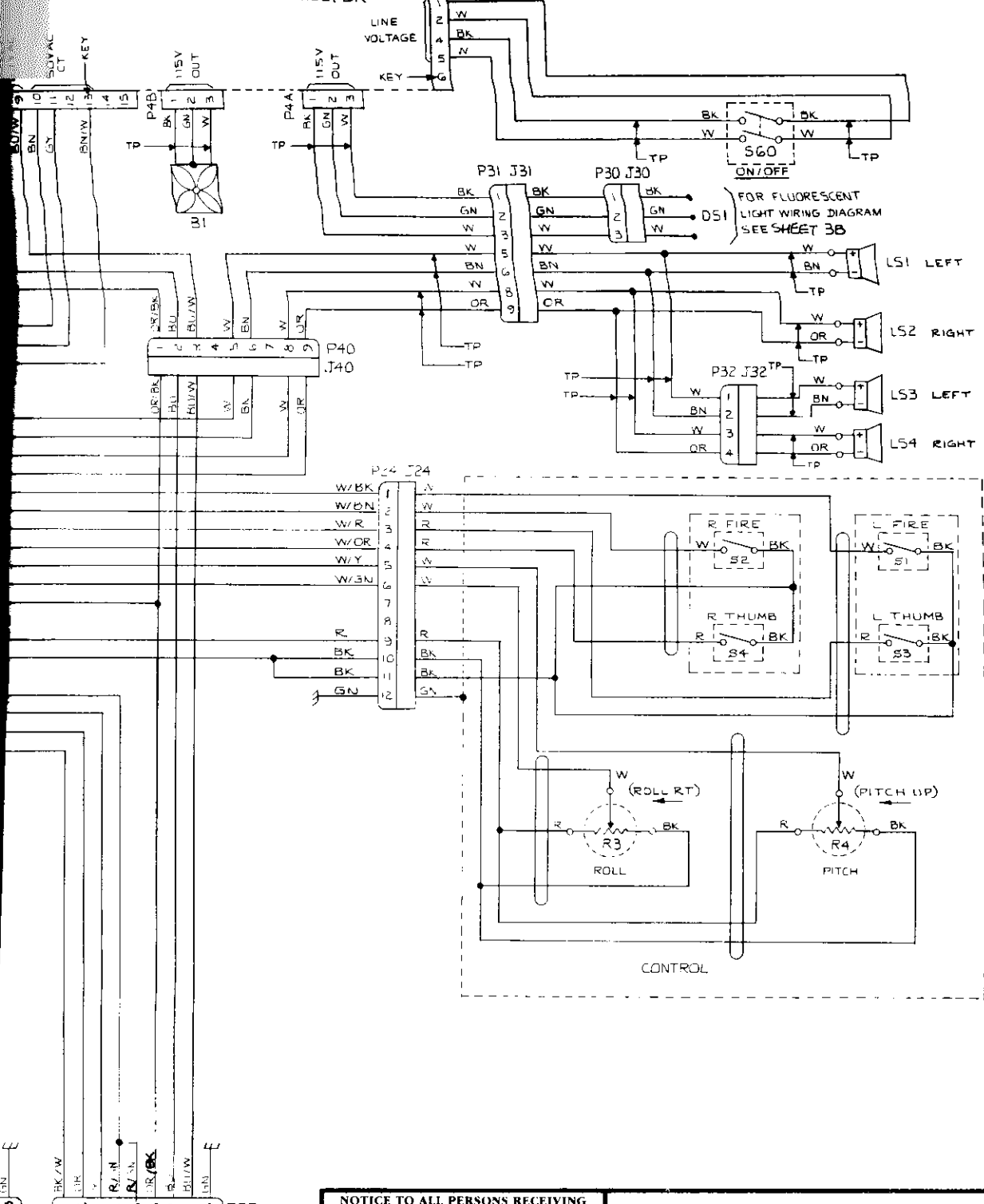
SP-225 Sheet 3A
1st printing



VOLTAGE SELECTION BLOCKS



POWER SUPPLY WIRING DIAGRAM SEE SHEET 3A



NOTICE TO ALL PERSONS RECEIVING THIS DRAWING

REPRODUCTION, REPRODUCTION FORBIDDEN WITHOUT THE SPECIFIC WRITTEN PERMISSION OF ATARI, INC., SUNNYVALE, CA. THIS DRAWING IS ONLY CONDITIONALLY ISSUED, AND NEITHER RECEIPT NOR POSSESSION THEREOF CONFERS OR TRANSFERS ANY RIGHT IN OR LICENSE TO USE, THE SUBJECT MATTER OF THE DRAWING OR ANY DESIGN OR TECHNICAL INFORMATION SHOWN THEREON, NOR ANY RIGHT TO REPRODUCE THIS DRAWING OR ANY PART THEREOF. EXCEPT FOR MANUFACTURE BY VENDORS OF ATARI, INC., AND FOR MANUFACTURE UNDER THE CORPORATION'S WRITTEN LICENSE, NO RIGHT IS GRANTED TO REPRODUCE THIS DRAWING OR THE SUBJECT MATTER THEREOF, UNLESS BY WRITTEN AGREEMENT WITH OR WRITTEN PERMISSION FROM THE CORPORATION.

STAR WARS Cockpit Main Wiring Diagram

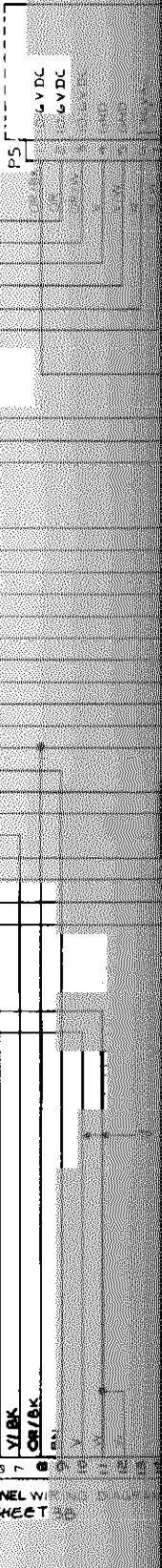
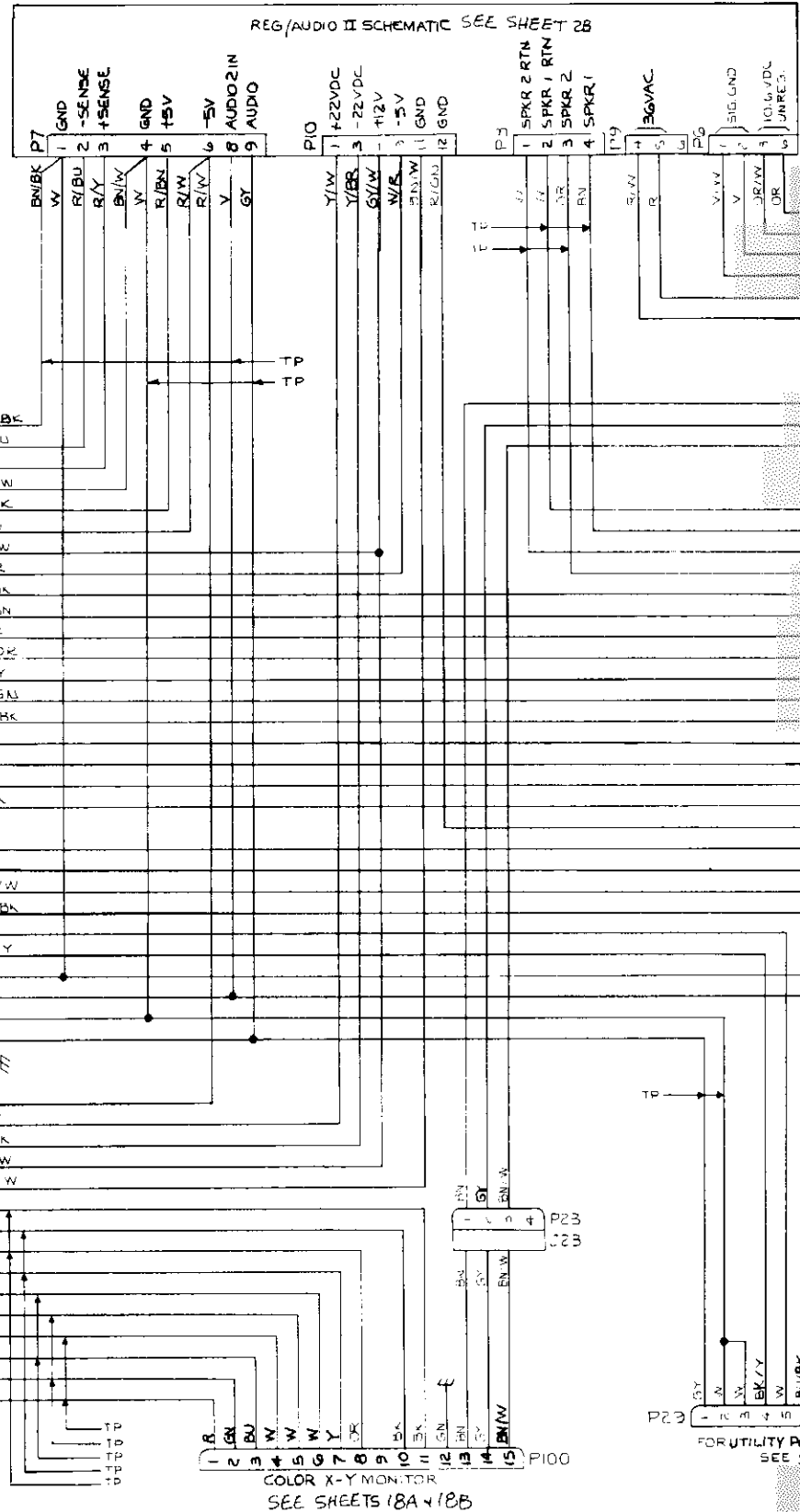
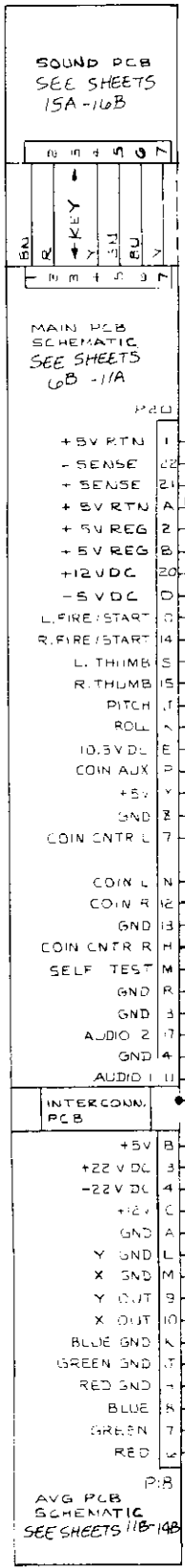


A Warner Communications Company

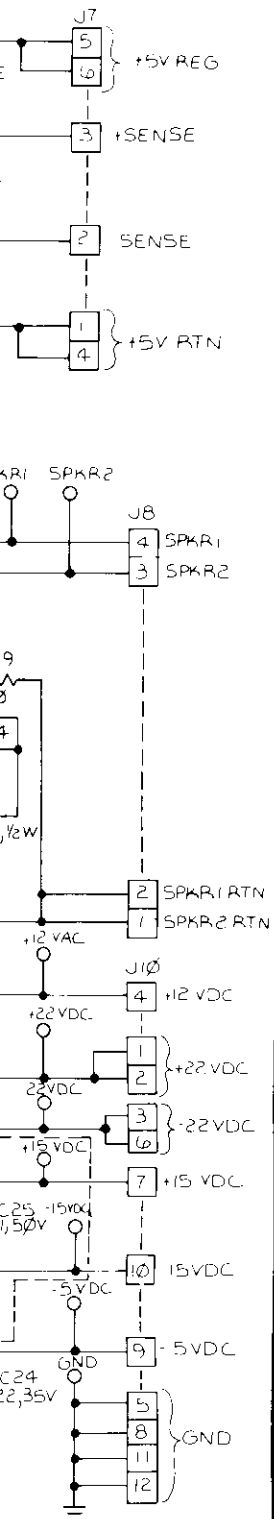
© ATARI INC. 1983

SP-225 Sheet 2A
1st printing

FOR CONT. BOARD WIRING DIAGRAM, SEE SHEET 3B



Star Wars Regulator/Audio II PCB Schematic Diagram



NOTICE TO ALL PERSONS RECEIVING THIS DRAWING

CONFIDENTIAL. Reproduction forbidden without the specific written permission of Atari, Inc., Sunnyvale, CA. This drawing is only conditionally issued, and neither receipt nor possession thereof confers or transfers any right in, or license to use, the subject matter of the drawing or any design or technical information shown thereon, nor any right to reproduce this drawing or any part thereof. Except for manufacture by vendors of Atari, Inc., and for manufacture under the corporation's written license, no right is granted to reproduce this drawing or the subject matter thereof, unless by written agreement with or written permission from the corporation.

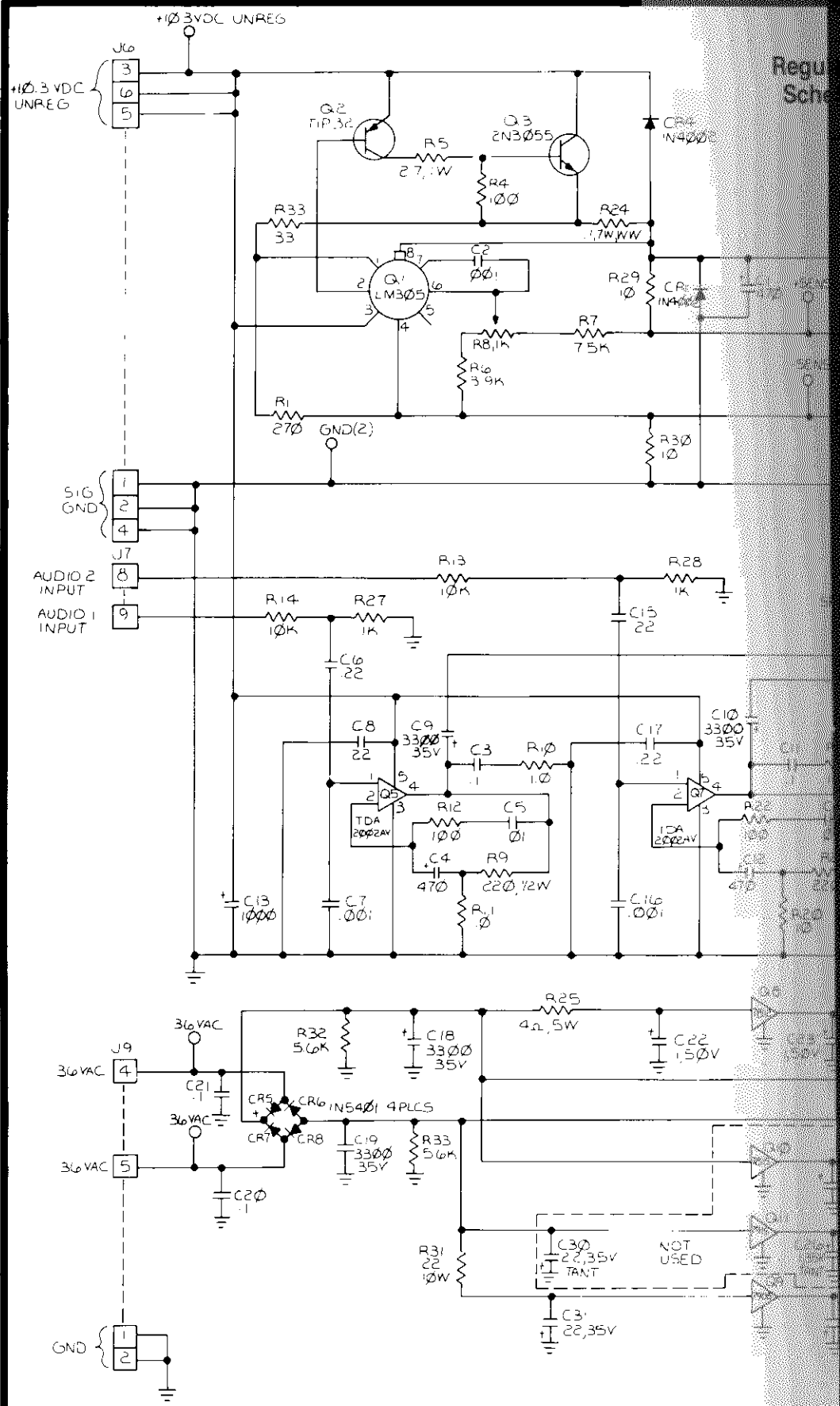
STAR WARS Regulator/Audio II PCB


ATARI®

© ATARI INC. 1983

SP-225 Sheet 2B
1st printing

 Warner Communications Company



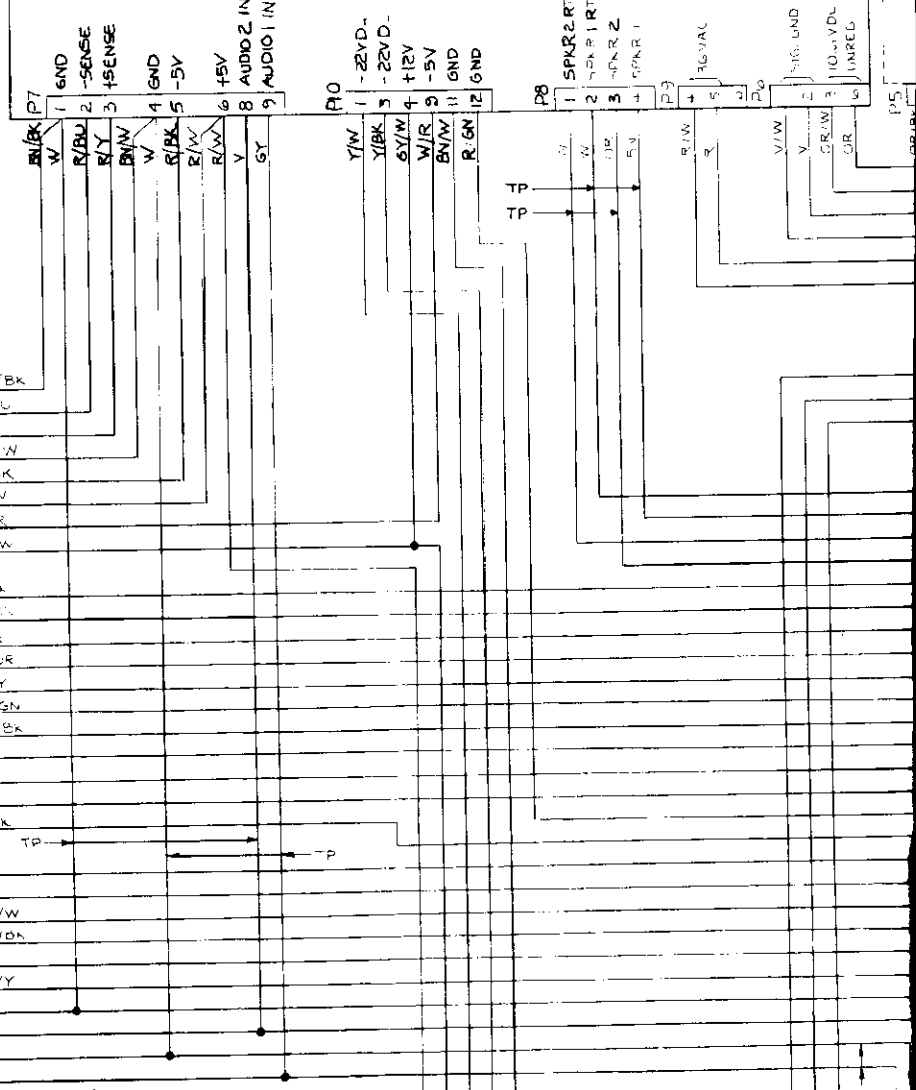
SOUND PCB
SCHEMATIC
SEE SHEETS
15A-16B

KEY
1 2 3 4 5 6 7

AVG PCB
SCHEMATIC
SEE SHEETS
16B-11A

220
-5V RTN 1
-5V SENSE 2
+5V SENSE 21
+5V RTN A
-5V REG 2
-5V REG B
-5V 0
+2V 20
L FIRE/START 7
R FIRE/START 4
L THUMB 1
R THUMB 5
P TEL 3
R TEL 6
10BVDC 8
COIN AUX 10
+5V Y
GND Z
COIN CNTRL 7
COIN L V
COIN R 12
GND 13
COIN CNTRL 14
SELF TEST M
GND R
GND 5
AUDIO 2 17
GND 4
AUDIO 1 J

REG/AUDIO II SCHEMATIC SEE SHEET 2B

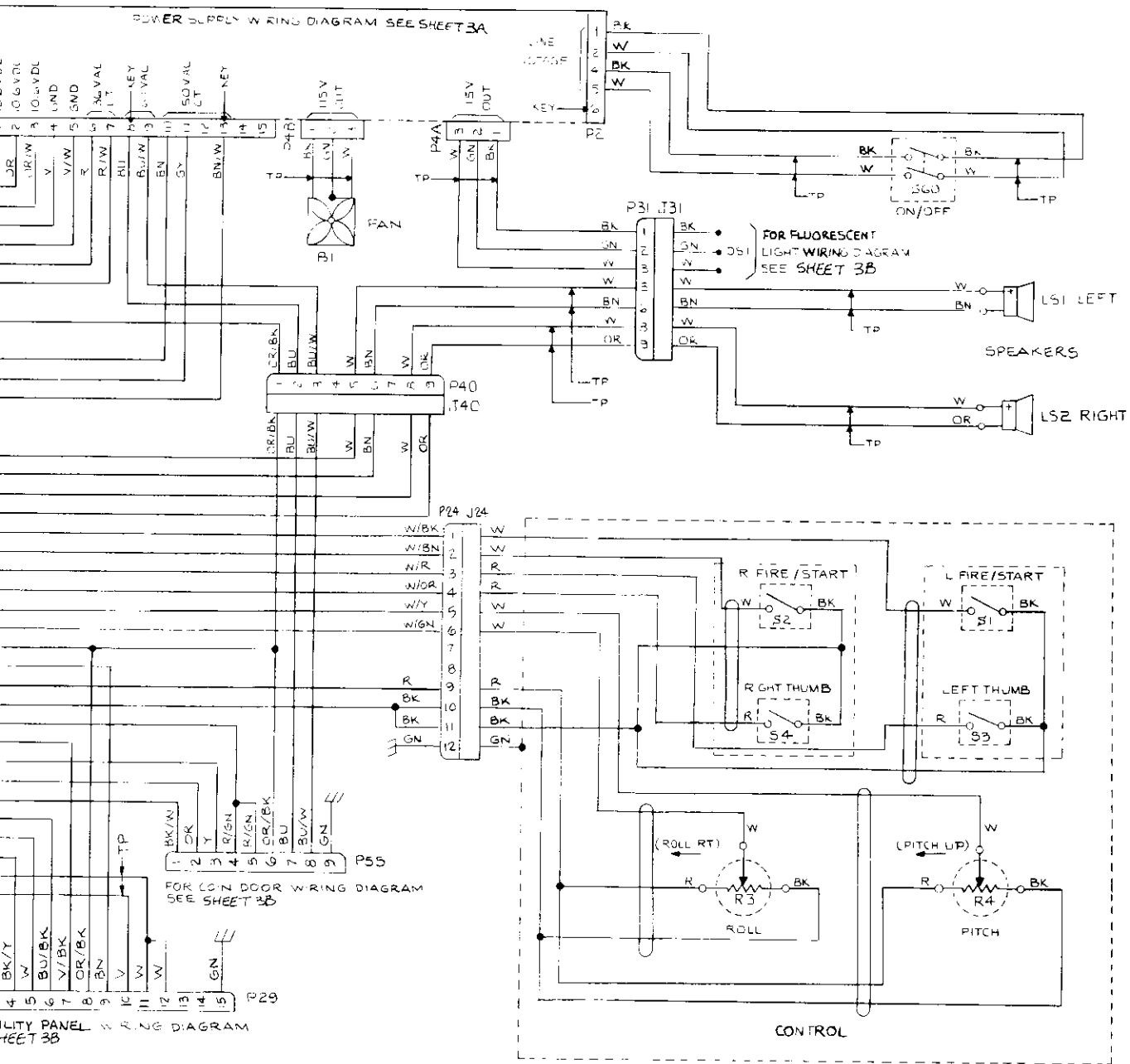


INTERCONN
PCB
SEE SHEET
17B

+5V B
+12V C
+22VDC 3
-22VDC 4
GND A
Y GND W
X GND BK
Y OUT BK
X OUT Y
BLUE GND W
GREEN GND W
RED GND W
BLUE BK
GREEN BK
RED R

AVG PCB
SCHEMATIC SEE SHEETS
11B-14B

COLOR X-Y MON. PCB
SEE SHEET 18A + 18B



NOTICE TO ALL PERSONS RECEIVING THIS DRAWING

CONFIDENTIAL: Reproduction forbidden without the specific written permission of Atari, Inc., Sunnyvale, CA. This drawing is only conditionally issued, and neither receipt nor possession thereof confers or transfers any right in, or license to use, the subject matter of the drawing or any design or technical information shown thereon, nor any right to reproduce this drawing or any part thereof. Except for manufacture by vendors of Atari, Inc., and for manufacture under the corporation's written license, no right is granted to reproduce this drawing or the subject matter thereof, unless by written agreement with or written permission from the corporation.

STAR WARS Upright Main Wiring Diagram



A Warner Communications Company

© ATARI INC. 1983

SP-225 Sheet 1B
1st printing

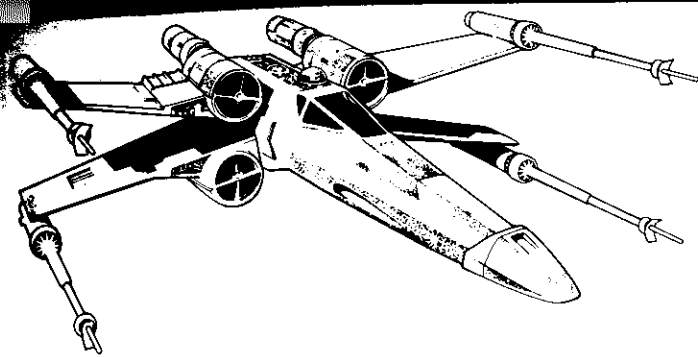


Table of Contents

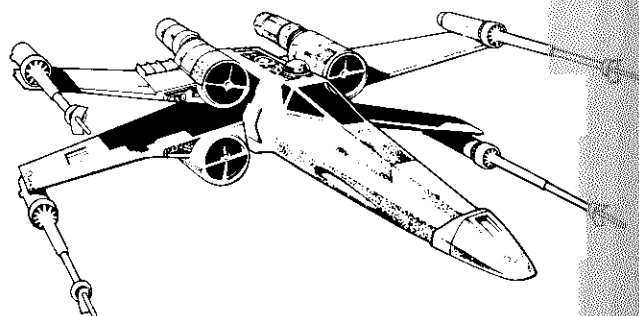
Table of Contents	Sheet 1A
STAR WARS Upright Main Wiring Diagram (040465-01 A)	Sheet 1B
STAR WARS Cockpit Main Wiring Diagram (040474-01 A)	Sheet 2A
STAR WARS Regulator/Audio II PCB (035435-02 F)	Sheet 2B
STAR WARS Color XY Power Supply Wiring Diagram (037394-01 D) ..	Sheet 3A
STAR WARS Game Interfaces:	Sheet 3B
Coin Door Wiring Diagram (A037542-01 E)	
Utility Panel Wiring Diagram (A039254-01 C)	
Fluorescent Light Wiring Diagram (035833-01 A)	
STAR WARS Memory Map—Parts 1 and 2	Sheet 4A-4B
STAR WARS Functional Block Diagram and Guide to PCB Schematics ..	Sheet 5A
STAR WARS Divider and Matrix Processor Detailed Block Diagram	Sheet 5B
STAR WARS Multiplier/Accumulator Detailed Block Diagram	Sheet 6A

Game PCB Schematics, Sheets 6B-17B

STAR WARS Main PCB	Sheet 6B-11A
STAR WARS Analog Vector-Generator PCB	Sheet 11B-14B
STAR WARS Sound PCB	Sheet 15A-16B
STAR WARS EMI Shield PCB	Sheet 17A
STAR WARS Interconnect PCB	Sheet 17B

Display Schematics, Sheets 18A-18B

STAR WARS Color XY High-Voltage PCB (201012-xx D)	Sheet 18A
STAR WARS Color XY Deflection PCB (201014-xx F)	Sheet 18B

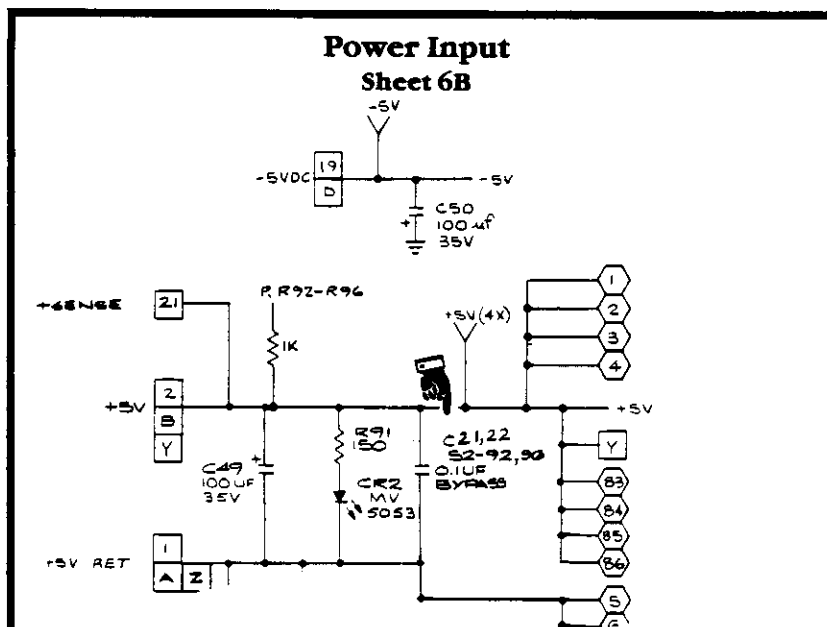


Supplement to

STAR WARS

STAR WARS Schematic Package (SP-225, 1st printing)
STAR WARS Operators Manual (TM-225, 1st printing)
STAR WARS Operators Manual (TM-245, 1st printing)

Please add the following correction to SP-225



Please make the following changes to the Main PCB parts list of TM-225 and/or TM-245:

STAR WARS Main PCB Parts List

Designator	Description	Part No.
Capacitors		
Add:		
C21, C22	0.1 μ F, \pm 5%, 50 V Ceramic Capacitor	122002-104
Integrated Circuits		
IF	300 ns Tri-State EROM Integrated Circuit	136021-101
should be:		
IF	300 ns EPROM Integrated Circuit	136021-114

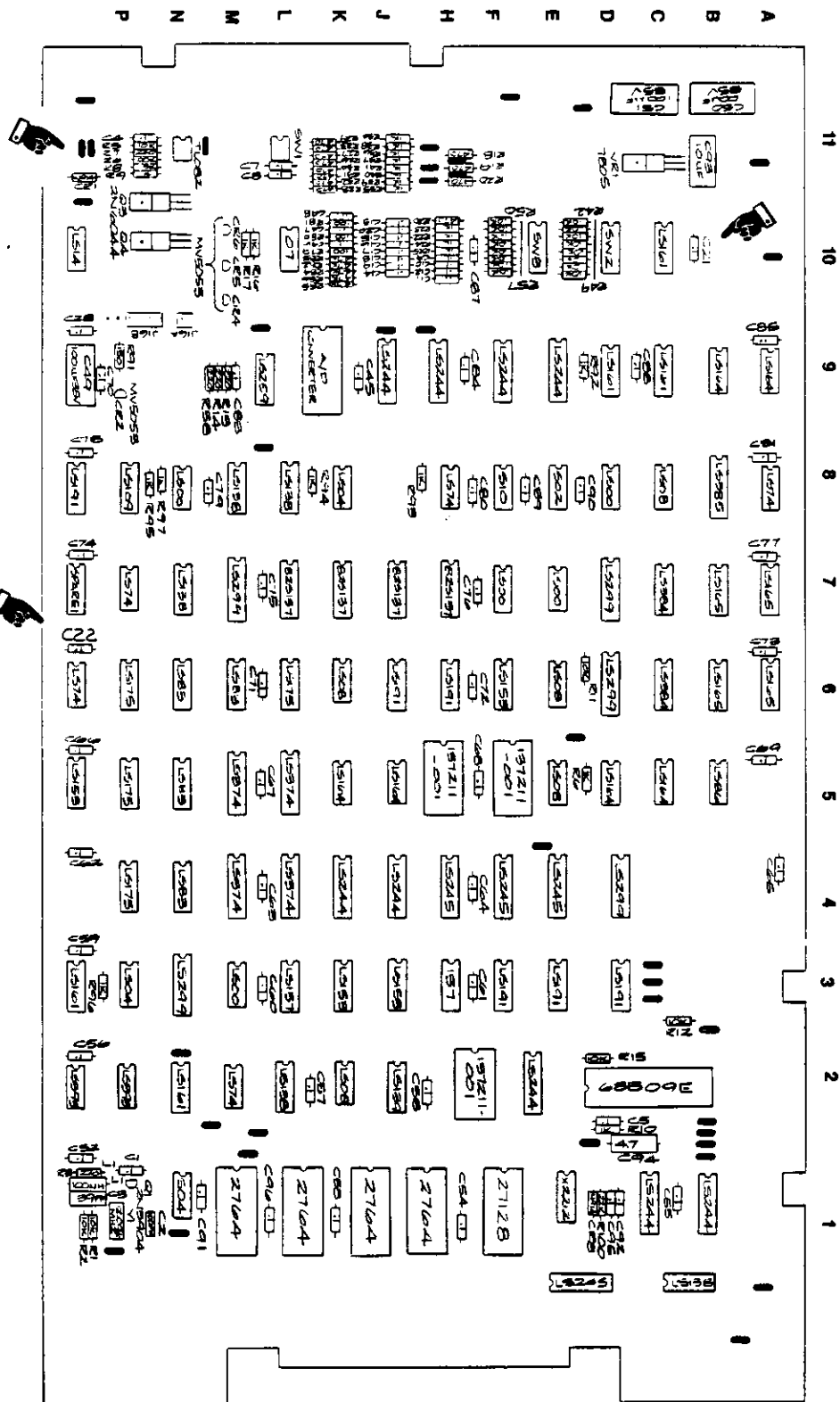


Figure 5-12 Main Printed-Circuit Board Assembly
A038461-21 B