

TAITO CORPORATION

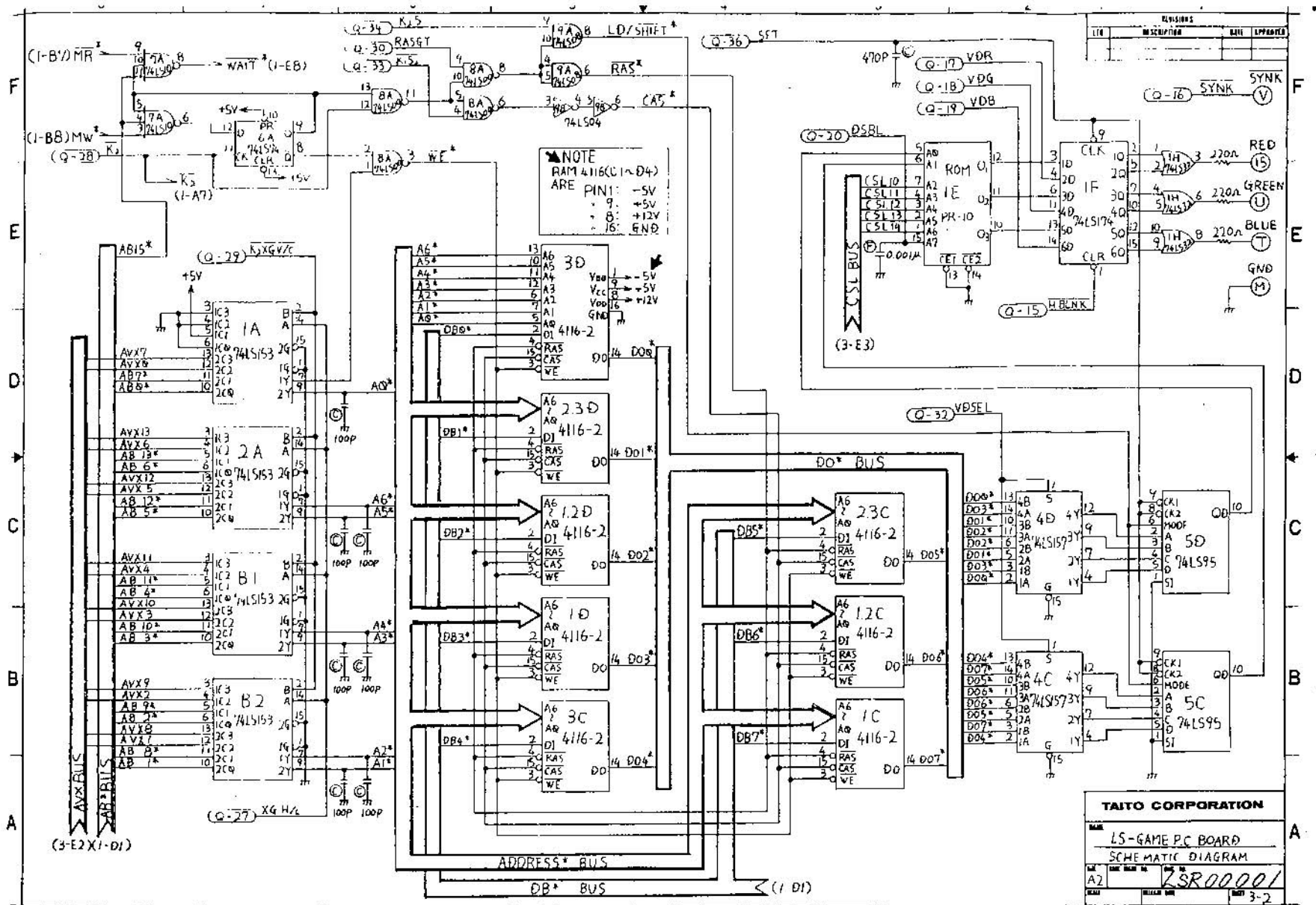
NAME: LS-GAME PC BOARD

SCHEMATIC DIAGRAM

REV: A2

DATE: LSR00001

3-1

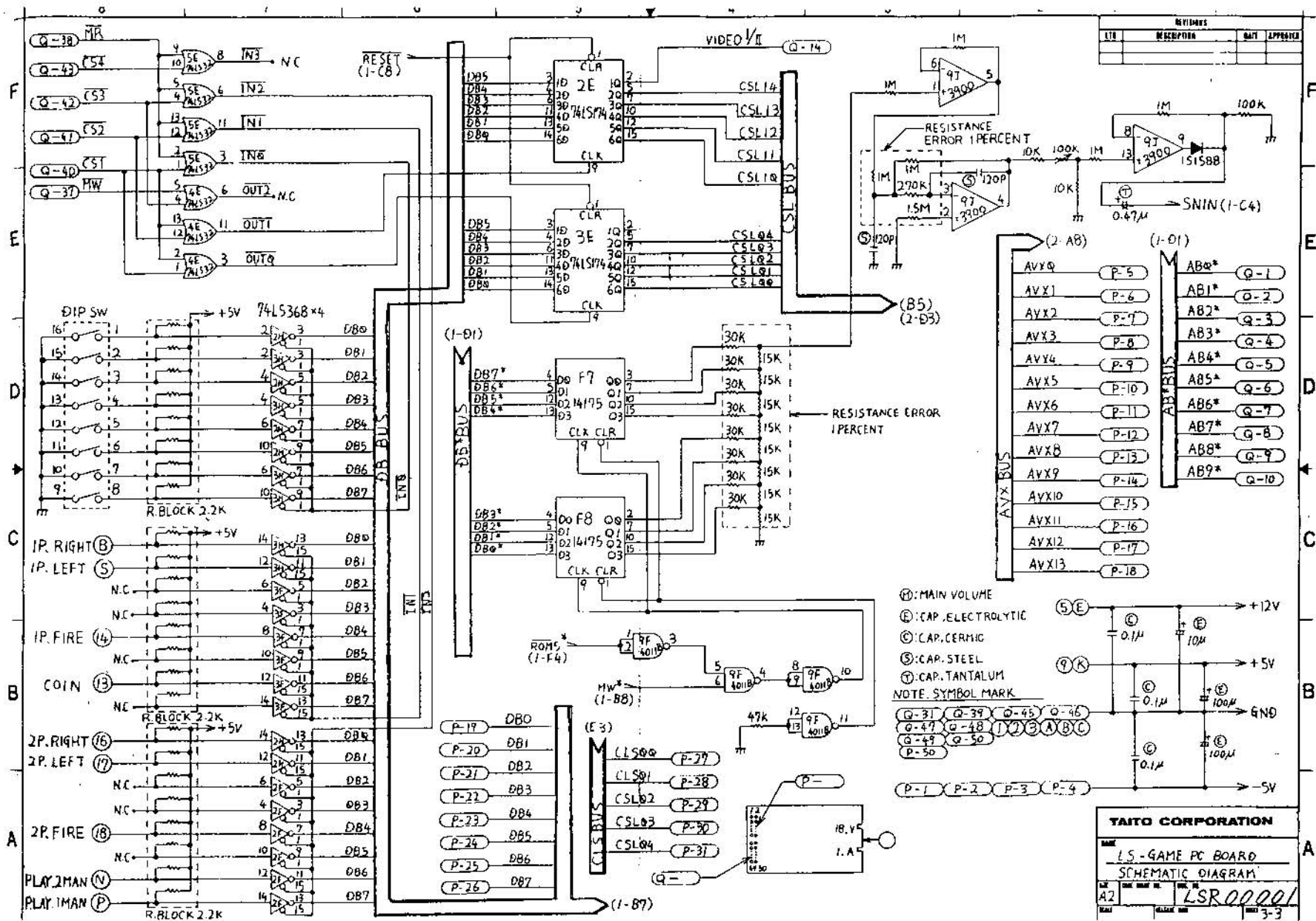


TAITO CORPORATION

LS-GAME PC BOARD
SCHEMATIC DIAGRAM

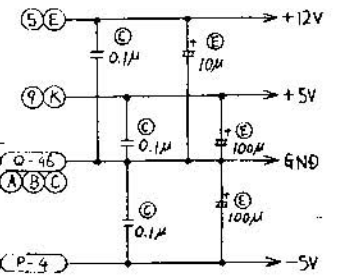
DATE: _____ DRAWN BY: _____ CHECKED BY: _____

NO. 3-2



REVIEWS			
DATE	DESCRIPTION	DATE	APPROVAL

- Ⓜ: MAIN VOLUME
- Ⓢ: CAP. ELECTROLYTIC
- ⓐ: CAP. CERMIC
- Ⓞ: CAP. STEEL
- Ⓣ: CAP. TANTALUM
- NOTE: SYMBOL MARK
- Q-31 Q-39 Q-45 Q-46
- Q-47 Q-48 1 2 3 A B C
- Q-49 Q-50

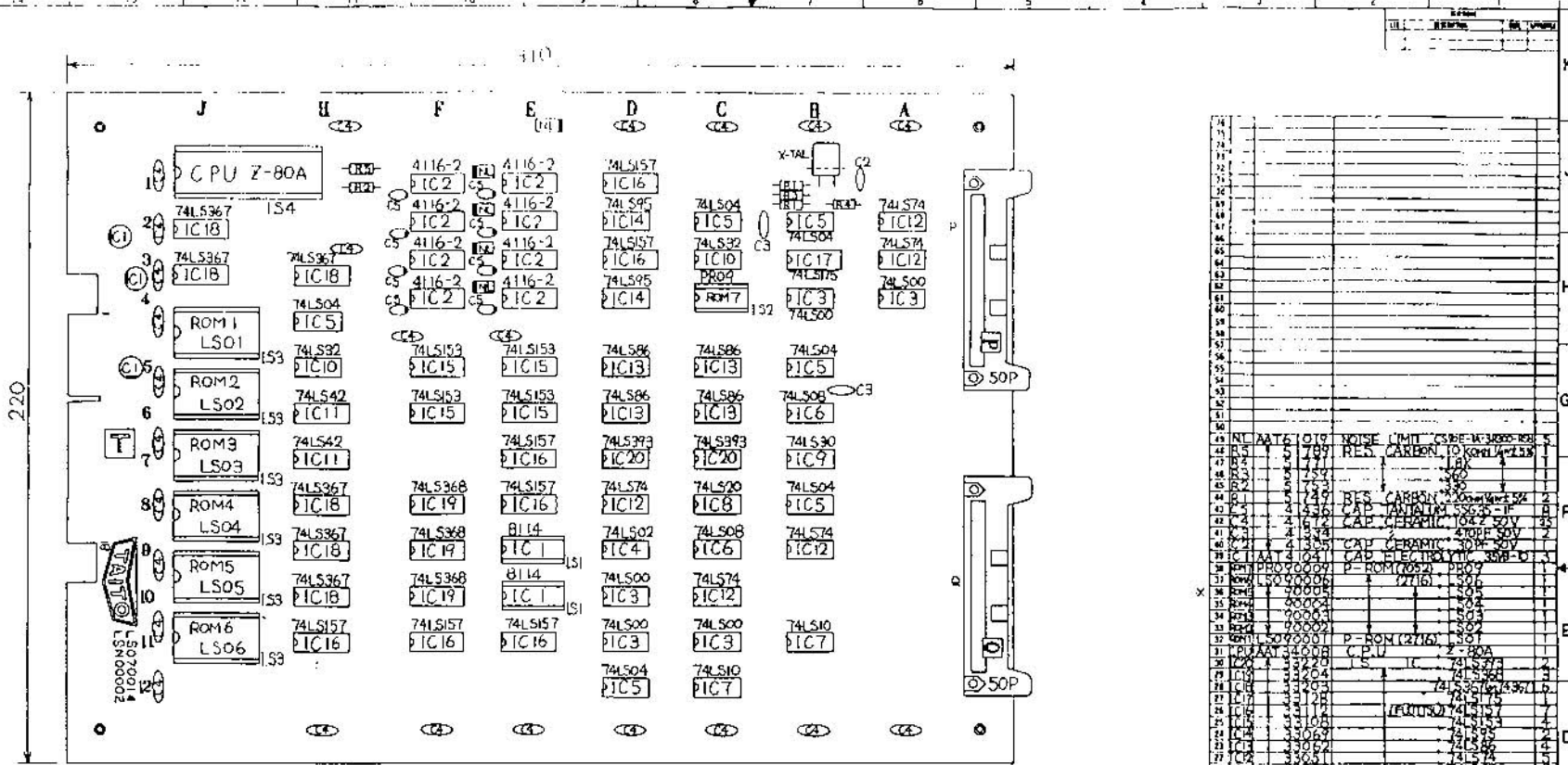


TAITO CORPORATION

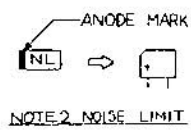
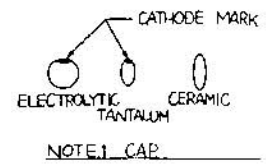
LS-GAME PC BOARD
SCHEMATIC DIAGRAM

A2 LSR00001

3-3



220



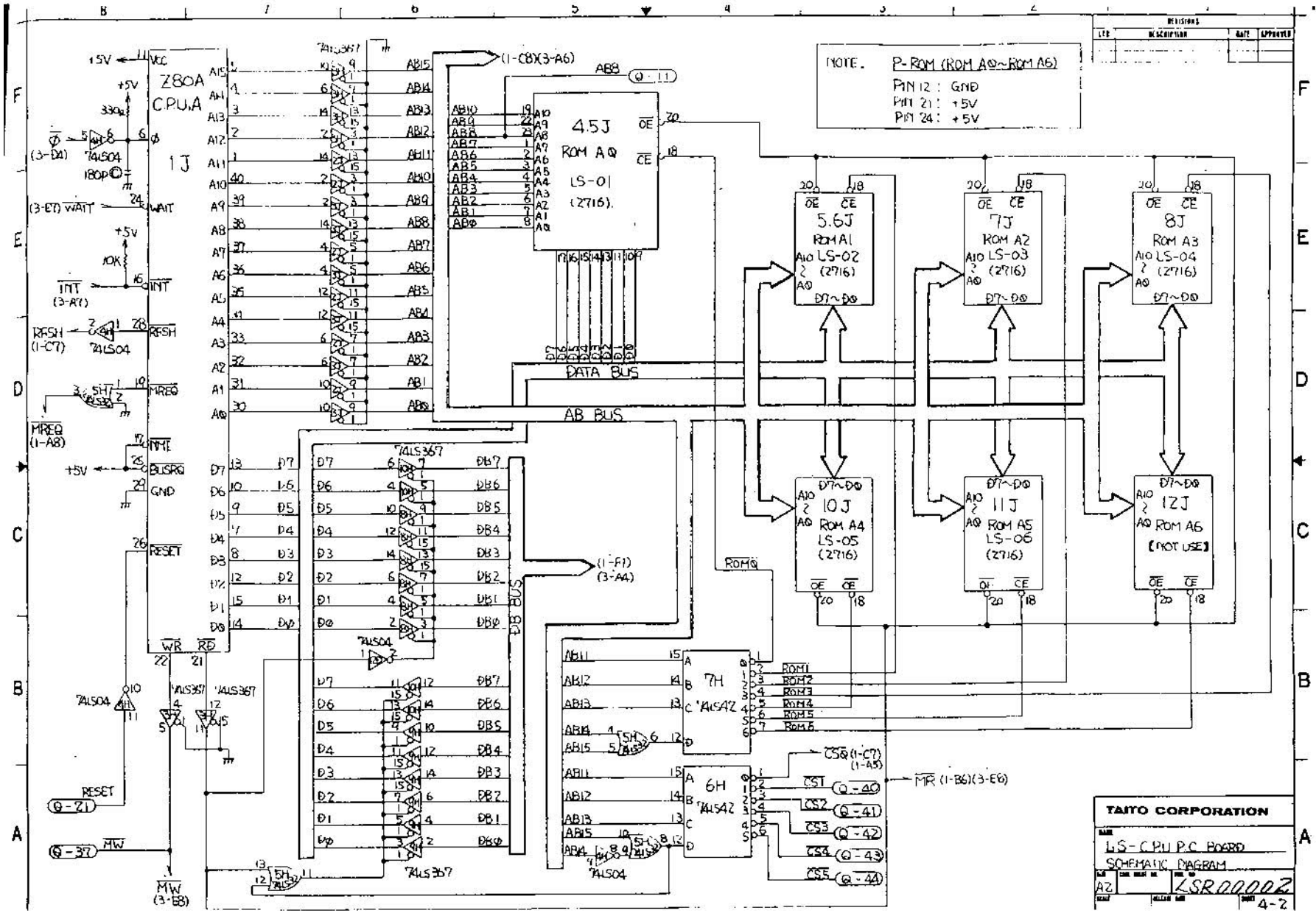
NOTE 3 IC 74LS30, 74LS32, 74LS367, LS-TYPE IC'S ARE USED, BUT THEY CAN BE REPLACED WITH THE STANDARD-TYPE IC'S

OSING LANGUAGE	ADDRESS	ROM NO.	ROM PARTS NO.
ENGLISH	9107	LS05	LS090005
SPANISH	9107	LS11	LS090012

NOTE 4 X MARK ROM CONVERSION FOR FOREIGN LANGUAGES

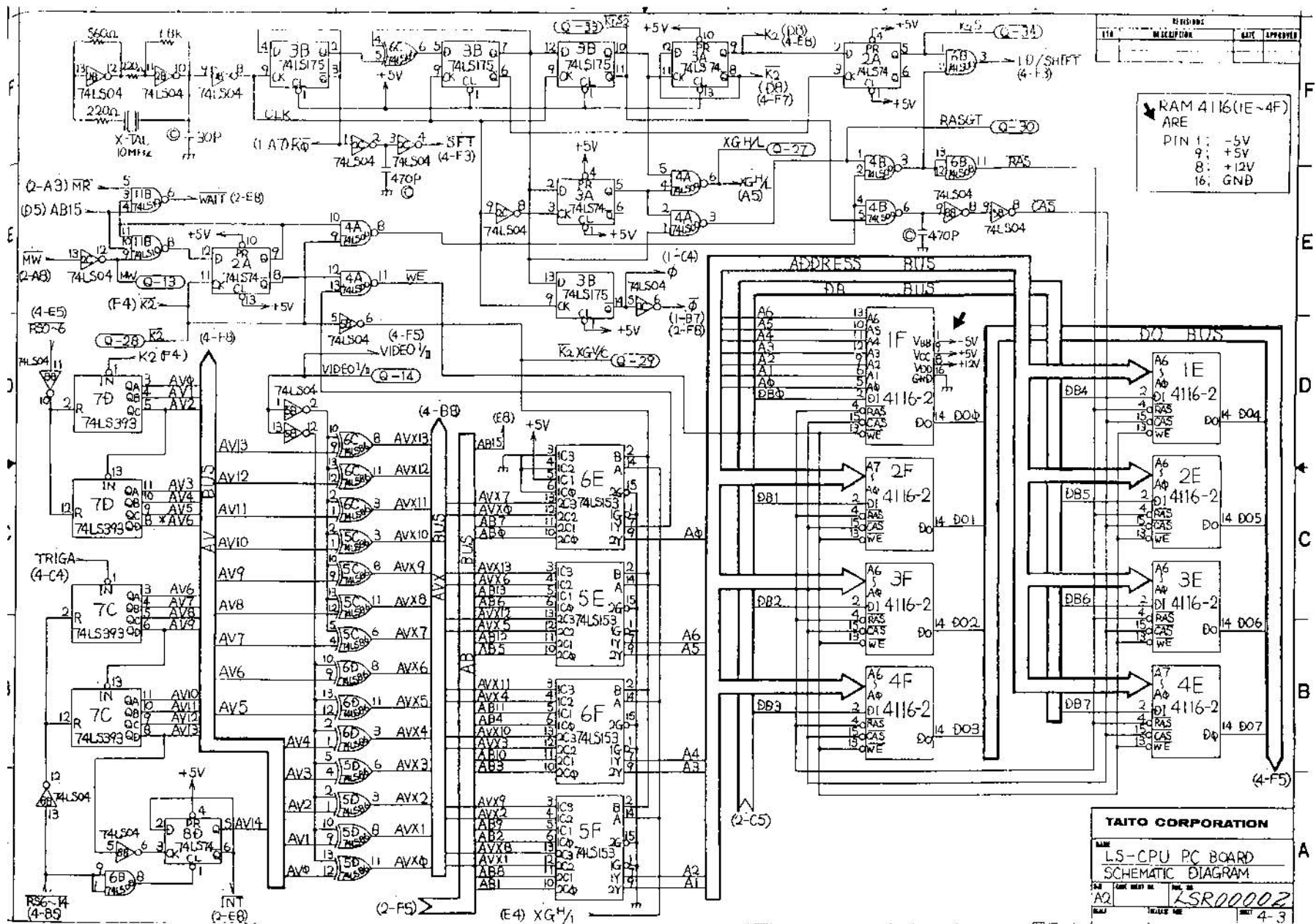
NO.	QTY	DESCRIPTION	REF. NO.	UNIT
1	1	LS-CPU PC BOARD		
2	1	CONNECTOR STICKER		
3	1	ANGLE PIN HEADER DS-SOP		
4	1	IC SOCKET		
5	1	IC SOCKET		
6	1	IC SOCKET		
7	1	IC SOCKET		
8	1	IC SOCKET		
9	1	IC SOCKET		
10	1	IC SOCKET		
11	1	IC SOCKET		
12	1	IC SOCKET		
13	1	IC SOCKET		
14	1	IC SOCKET		
15	1	IC SOCKET		
16	1	IC SOCKET		
17	1	IC SOCKET		
18	1	IC SOCKET		
19	1	IC SOCKET		
20	1	IC SOCKET		
21	1	IC SOCKET		
22	1	IC SOCKET		
23	1	IC SOCKET		
24	1	IC SOCKET		
25	1	IC SOCKET		
26	1	IC SOCKET		
27	1	IC SOCKET		
28	1	IC SOCKET		
29	1	IC SOCKET		
30	1	IC SOCKET		
31	1	IC SOCKET		
32	1	IC SOCKET		
33	1	IC SOCKET		
34	1	IC SOCKET		
35	1	IC SOCKET		
36	1	IC SOCKET		
37	1	IC SOCKET		
38	1	IC SOCKET		
39	1	IC SOCKET		
40	1	IC SOCKET		
41	1	IC SOCKET		
42	1	IC SOCKET		
43	1	IC SOCKET		
44	1	IC SOCKET		
45	1	IC SOCKET		
46	1	IC SOCKET		
47	1	IC SOCKET		
48	1	IC SOCKET		
49	1	IC SOCKET		
50	1	IC SOCKET		
51	1	IC SOCKET		
52	1	IC SOCKET		
53	1	IC SOCKET		
54	1	IC SOCKET		
55	1	IC SOCKET		
56	1	IC SOCKET		
57	1	IC SOCKET		
58	1	IC SOCKET		
59	1	IC SOCKET		
60	1	IC SOCKET		
61	1	IC SOCKET		
62	1	IC SOCKET		
63	1	IC SOCKET		
64	1	IC SOCKET		
65	1	IC SOCKET		
66	1	IC SOCKET		
67	1	IC SOCKET		
68	1	IC SOCKET		
69	1	IC SOCKET		
70	1	IC SOCKET		
71	1	IC SOCKET		
72	1	IC SOCKET		
73	1	IC SOCKET		
74	1	IC SOCKET		
75	1	IC SOCKET		
76	1	IC SOCKET		
77	1	IC SOCKET		
78	1	IC SOCKET		
79	1	IC SOCKET		
80	1	IC SOCKET		
81	1	IC SOCKET		
82	1	IC SOCKET		
83	1	IC SOCKET		
84	1	IC SOCKET		
85	1	IC SOCKET		
86	1	IC SOCKET		
87	1	IC SOCKET		
88	1	IC SOCKET		
89	1	IC SOCKET		
90	1	IC SOCKET		
91	1	IC SOCKET		
92	1	IC SOCKET		
93	1	IC SOCKET		
94	1	IC SOCKET		
95	1	IC SOCKET		
96	1	IC SOCKET		
97	1	IC SOCKET		
98	1	IC SOCKET		
99	1	IC SOCKET		
100	1	IC SOCKET		

TAIYO CORPORATION
LS-CPU PC BOARD ASSY
145-100007

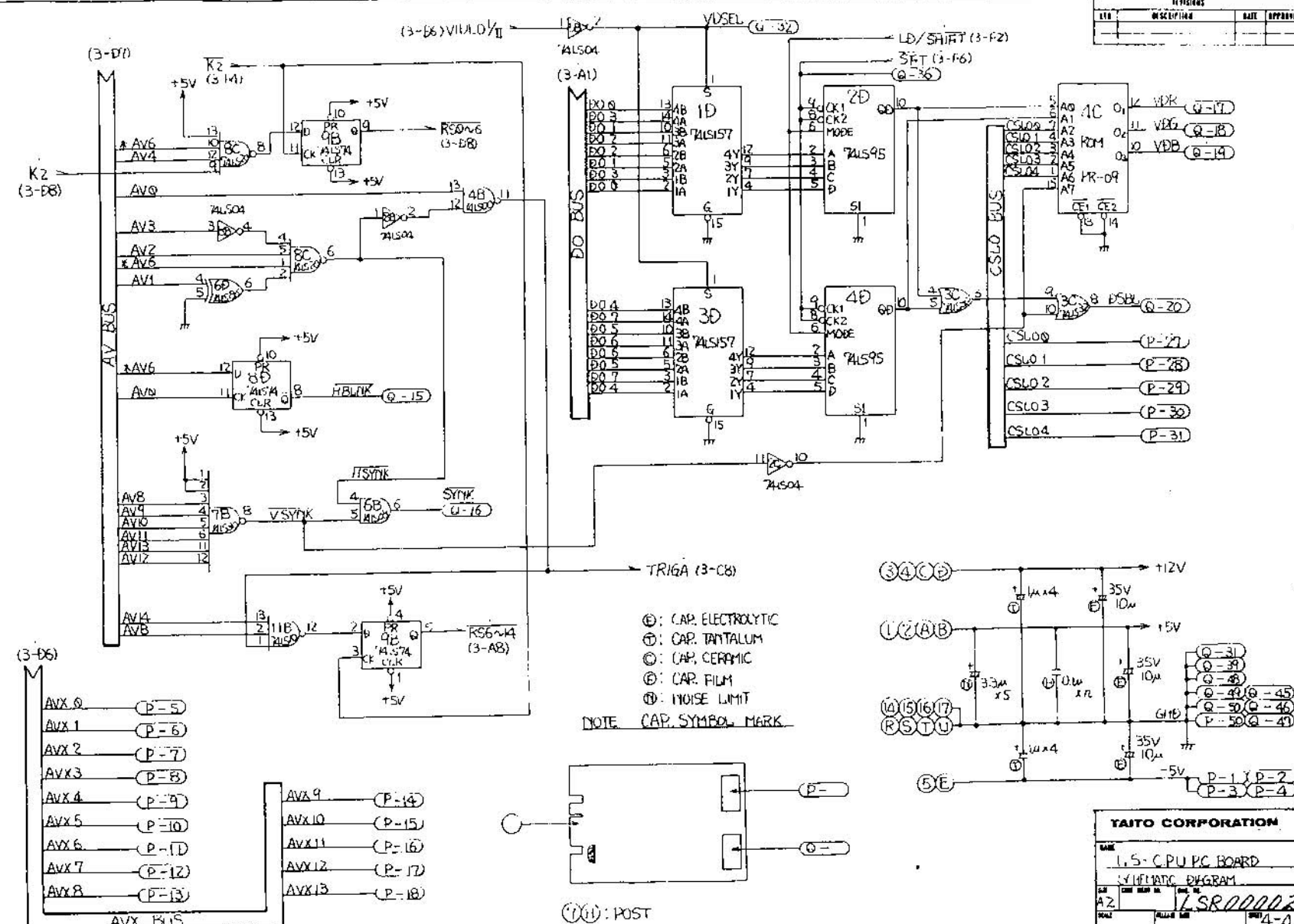


REVISIONS			
REV	DESCRIPTION	DATE	APPROVED

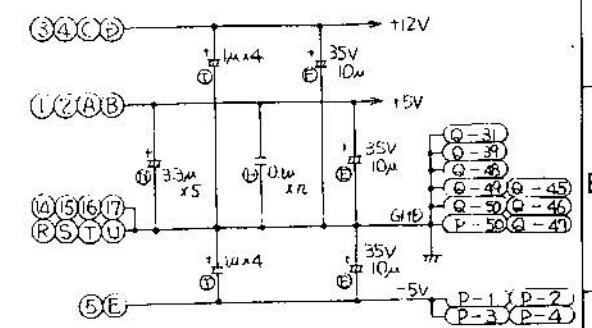
TAITO CORPORATION	
LS-CPU PC BOARD	
SCHEMATIC DIAGRAM	
DATE	
AZ	LSR00002
REV	
4-2	



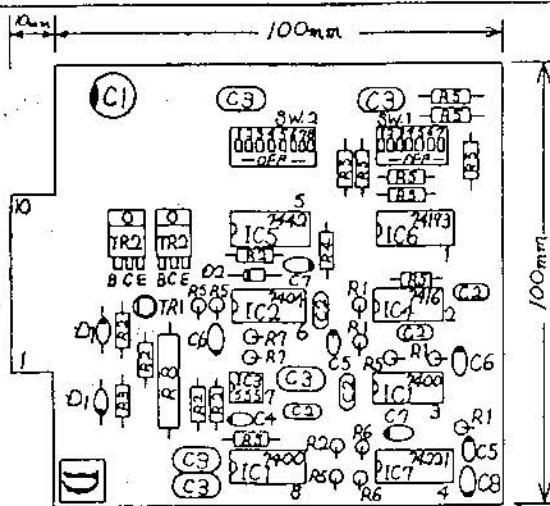
REVISIONS			
NO.	DESCRIPTION	DATE	APPROVED



- | | | | |
|-------|--------|--------|--------|
| AVX 0 | (P-5) | AVX 9 | (P-14) |
| AVX 1 | (P-6) | AVX 10 | (P-15) |
| AVX 2 | (P-7) | AVX 11 | (P-16) |
| AVX 3 | (P-8) | AVX 12 | (P-17) |
| AVX 4 | (P-9) | AVX 13 | (P-18) |
| AVX 5 | (P-10) | | |
| AVX 6 | (P-11) | | |
| AVX 7 | (P-12) | | |
| AVX 8 | (P-13) | | |



TAITO CORPORATION			
DATE	1.5-CPU PC BOARD		
REV.	SYNTHATIC DIAGRAM		
AZ	REV. NO.	1	SR00002
FILE	FILE NO.		4-2

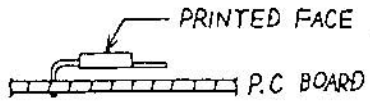


ELE. CATHODE MARK
 TAN. CATHODE MARK
 TANTALUM &
 NOTE.1 CAP. ELECTROLYTIC

CATHODE MARK
 NOTE.2 DIODE



NOTE.3 TRANSISTOR(2SC458)



NOTE.4 TRANSISTOR(2SC1061)

NOTE.5 THE RELATION BETWEEN COIN AND CREDIT

	SW1							SW2							
	1	2	3	4	5	6	7	1	2	3	4	5	6	7	8
1COIN 1PLAY	ON	ON	ON	ON	ON	OFF	OFF	ON	OFF	OFF	OFF	OFF	OFF	ON	OFF
2COIN 1PLAY	ON	ON	ON	ON	ON	ON	ON	OFF	ON	OFF	ON	ON	ON	ON	ON
3COIN 1PLAY	ON	ON	ON	ON	ON	ON	ON	ON	OFF	ON	ON	ON	ON	ON	ON
4COIN 1PLAY	ON	ON	ON	ON	ON	ON	ON	ON	OFF	OFF	ON	ON	ON	ON	ON
1COIN 2PLAY	ON	OFF	OFF	OFF	OFF	ON	ON	OFF	OFF	OFF	OFF	OFF	OFF	OFF	ON
1COIN 3PLAY	OFF	ON	ON	ON	ON	ON	ON	ON	ON	ON	ON	ON	ON	ON	ON
1COIN 4PLAY	ON	ON	ON	ON	ON	ON	ON	ON	ON	ON	ON	ON	ON	ON	ON

REVISIONS			
LTB	DESCRIPTION	DATE	APPROVED

31	R8	AAT55033	WINDING RESISTOR, 60HM 2W±10%	1
30	R7	51831	RES. CARBON, 360KOHM 1/4W±5%	2
29	R6	51803	↑ 39K	2
28	R5	51789	↑ 10K	13
27	R4	51781	↑ 4.7K	1
26	R3	51727	↑ 3.3K	1
25	R2	51765	↑ 1K	6
24	R1	51741	RES. CARBON, 100OHM 1/4W±5%	4
23	C8	41438	CAP. TANTALUM, SSG35-3R3F	1
22	C7	41421	↑ SSG16-4R7F	2
21	C6	41419	↑ SSG16-2R2F	2
20	C5	41418	↑ SSG16-1F	2
19	C4	41414	CAP. TANTALUM, SSG16-OR22F	1
18	C3	41244	CAP. FILM, TDY-IH-104	5
17	C2	41238	CAP. FILM, TDY-IH-103	5
16	C1	41021	CAP. ELECTROLYTIC, 16V847M	1
15	IC7	32077	TTL IC, 74221	1
14	IC6	32044	↑ 74193	1
13	IC5	32039	↑ 7442	1
12	IC4	32033	↑ 7416	1
11	IC3	32019	↑ NE555V	1
10	IC2	32003	↓ 7404	1
9	IC1	32001	TTL IC, 7400	2
8	D2	12025	DIODE, 1S1588	1
7	D1	12002	DIODE, V03C	2
6	TR2	V11030	TRANSISTOR, 2SC1061-B	2
5	TR1	AAT11005	TRANSISTOR, 2SC458-C	1
4	SW2	AAO52566	DIP SWITCH, DSS-8	1
3	SW1	52560	DIP SWITCH, DSS-7	1
2	D	17623	CONNECTOR STICKER, D	1
1		AAO17766D	CREDIT P.C. BOARD	1

PARTS LIST

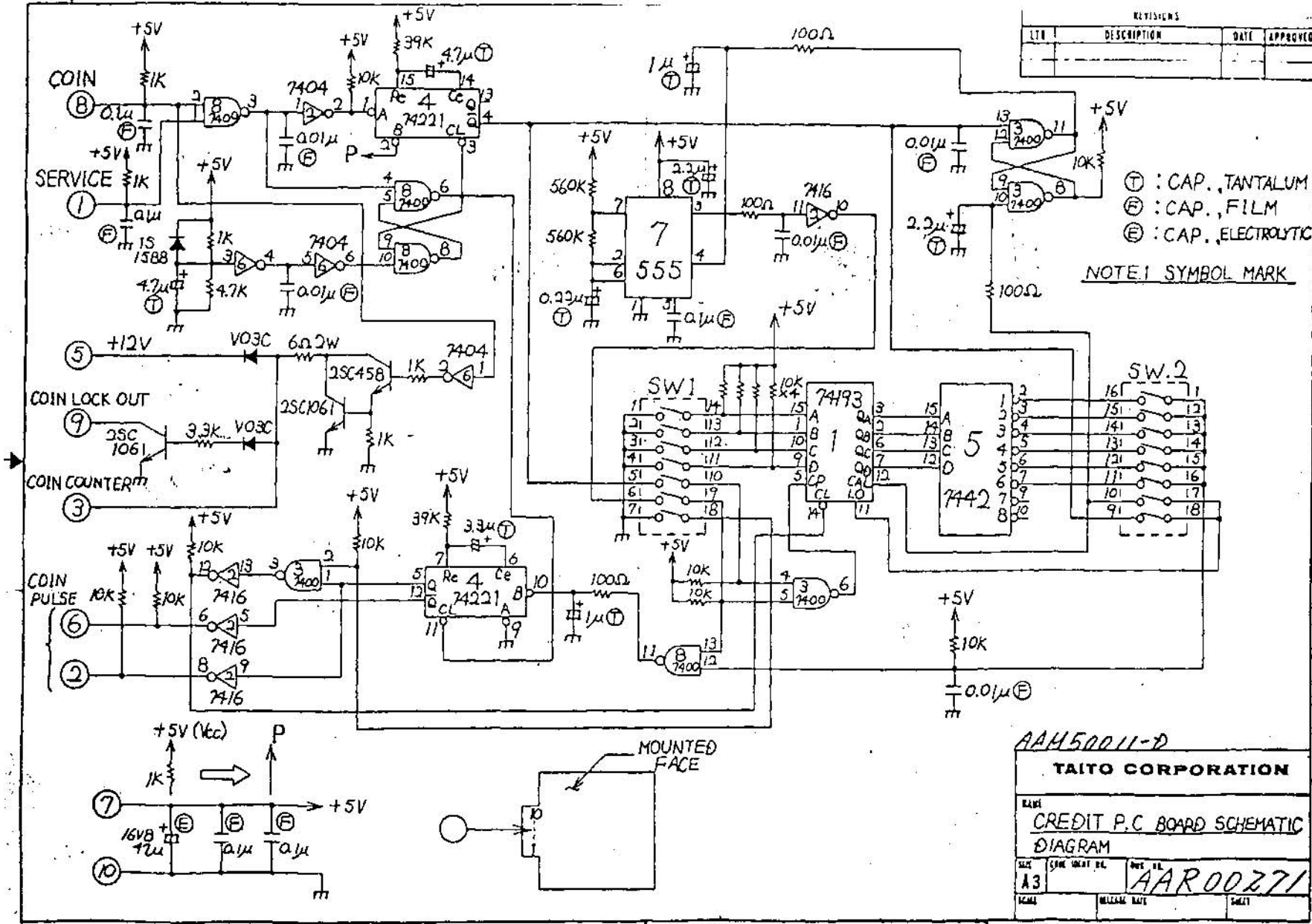
TAITO CORPORATION

NAME
 CREDIT P.C. BOARD ASSY.

REV. NO. A3
 DATE 1/1

REV. NO. AAM50011-D
 DATE

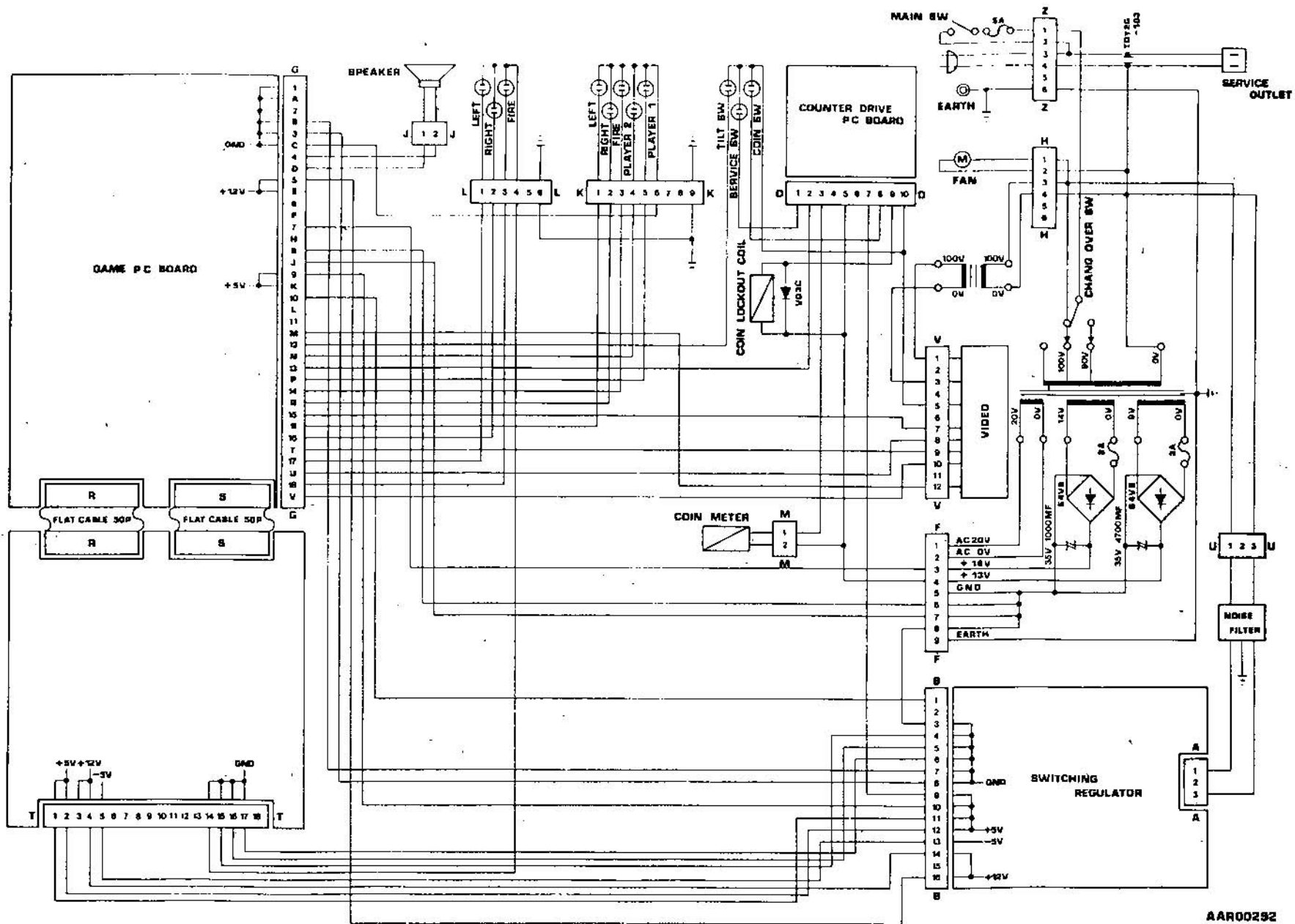
REVISIONS			
LT#	DESCRIPTION	DATE	APPROVED



- ⊕ : CAP., TANTALUM
- ⊖ : CAP., FILM
- ⊕⊖ : CAP., ELECTROLYTIC

NOTE: 1 SYMBOL MARK

AAH50011-D			
TAITO CORPORATION			
NAME CREDIT P.C BOARD SCHEMATIC DIAGRAM			
SIZE A3	DATE 	REV. NO. AAR00271	
SCALE	RELEASE DATE	SHEET	



AAR00292