

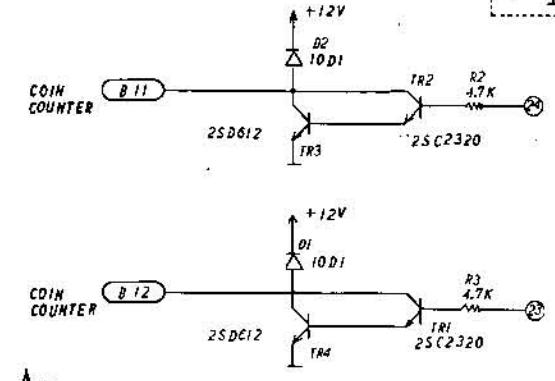
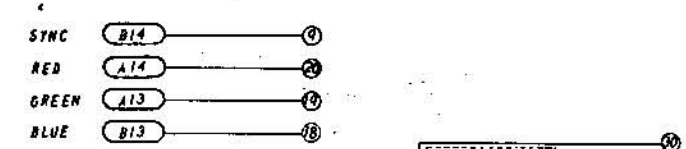
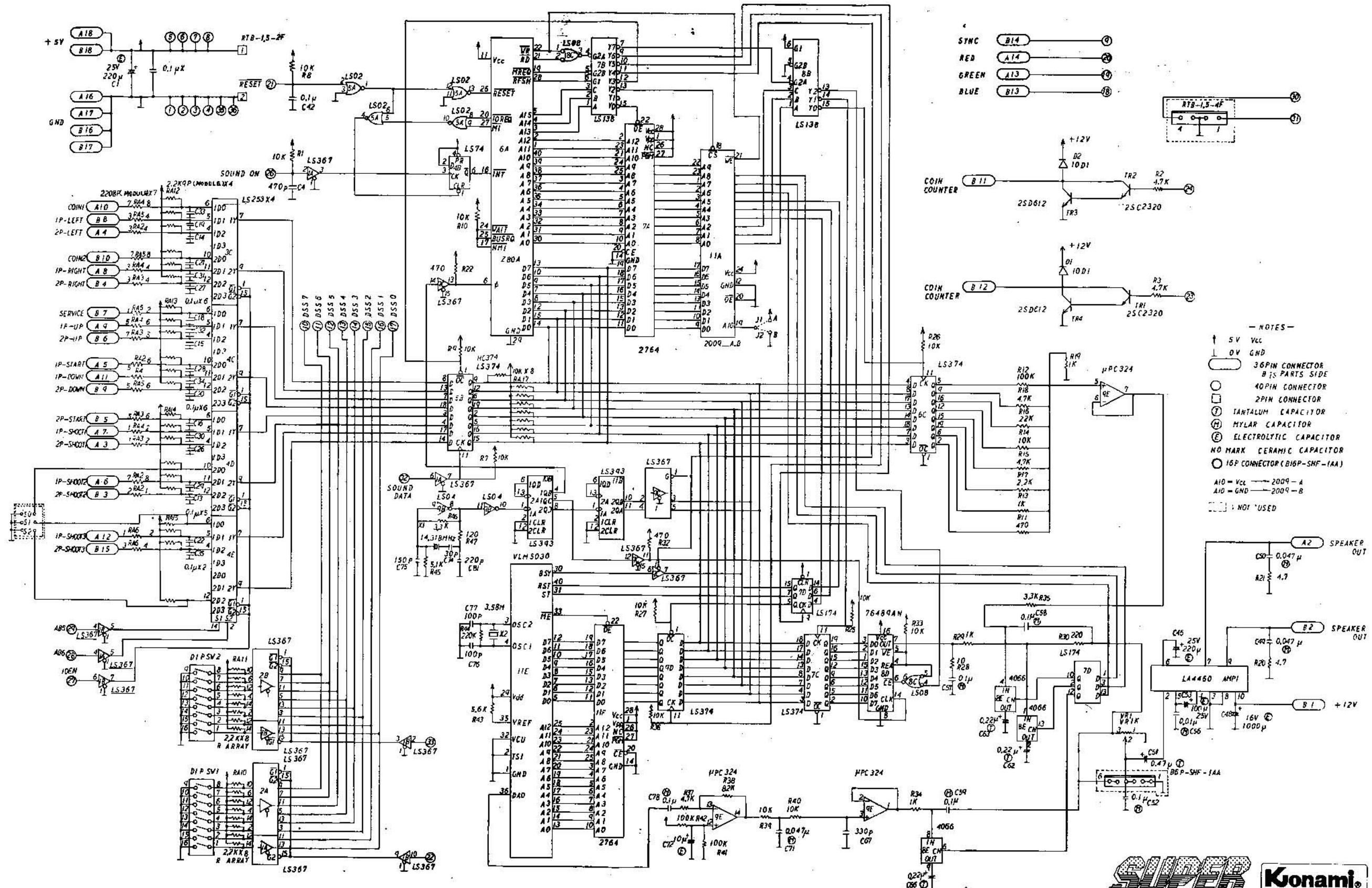
For Signature Analysis
FCN_724P010_AU/S

SUPER Konami.
BASKETBALL

PWB (A)2000177 CRT BOARD

NOTE:
 ①: TANTALUM ELECTROLYTIC CAPACITOR
 ②: CERAMIC CAPACITOR
 ③: FLAT CABLE CONNECTOR 40P
 ④: ELECTROLYTIC CAPACITOR
 ⑤: NOT USED

6X405



- NOTES
- ↑ 5V VCC
 - 0V GND
 - 36PIN CONNECTOR (B IS PARTS SIDE)
 - 40PIN CONNECTOR
 - 2PIN CONNECTOR
 - ⊙ TANTALUM CAPACITOR
 - ⊕ MYLAR CAPACITOR
 - ⊖ ELECTROLYTIC CAPACITOR
 - NO MARK CERAMIC CAPACITOR
 - ⊙ 16P CONNECTOR (B16P-SHF-1AA)
- A10 = VCC — 2009-A
 A10 = GND — 2009-B
 □ : NOT USED

SUPER Konami
BASKETBALL™

PWB (B)3000288A SOUND BOARD