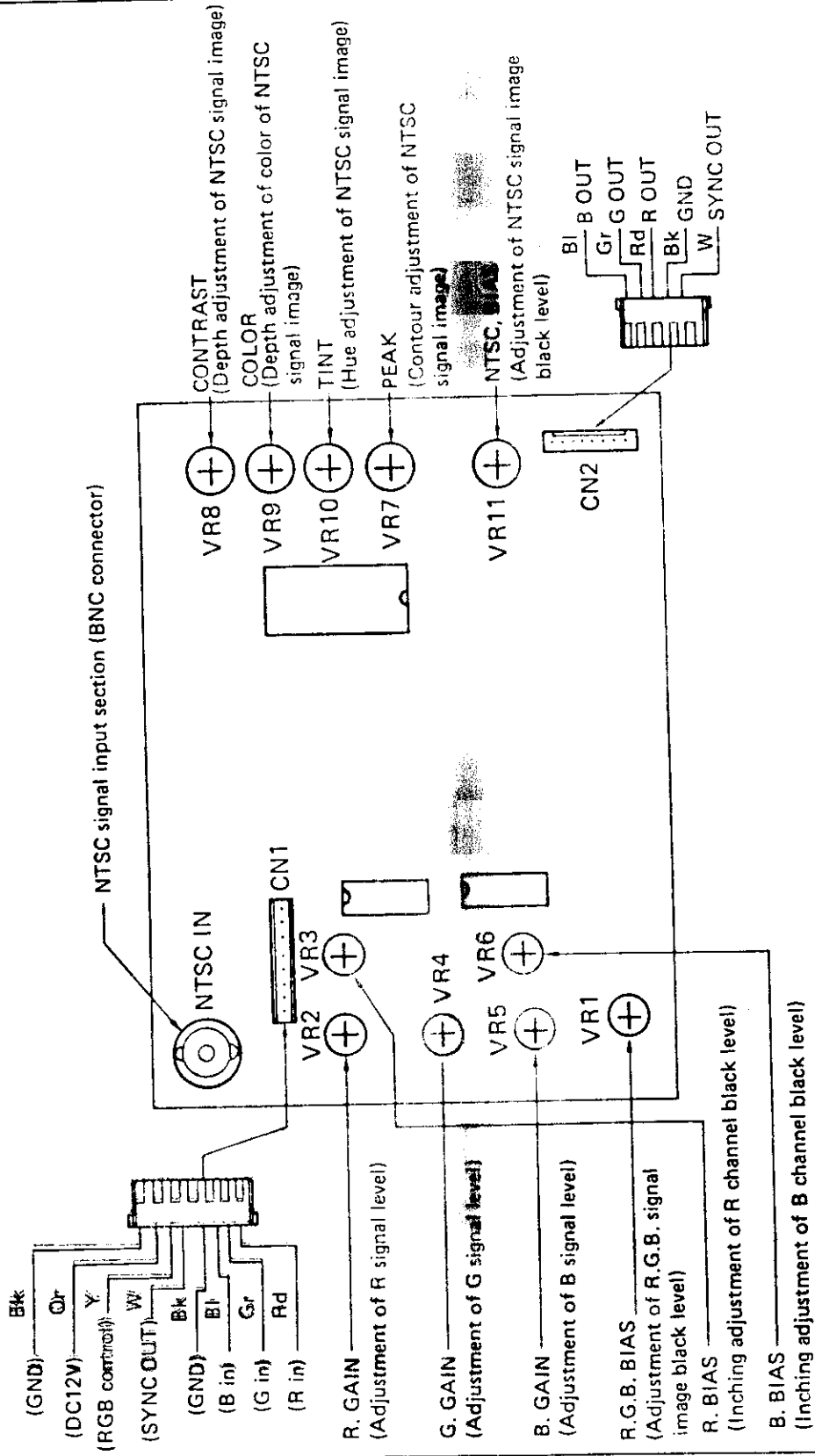
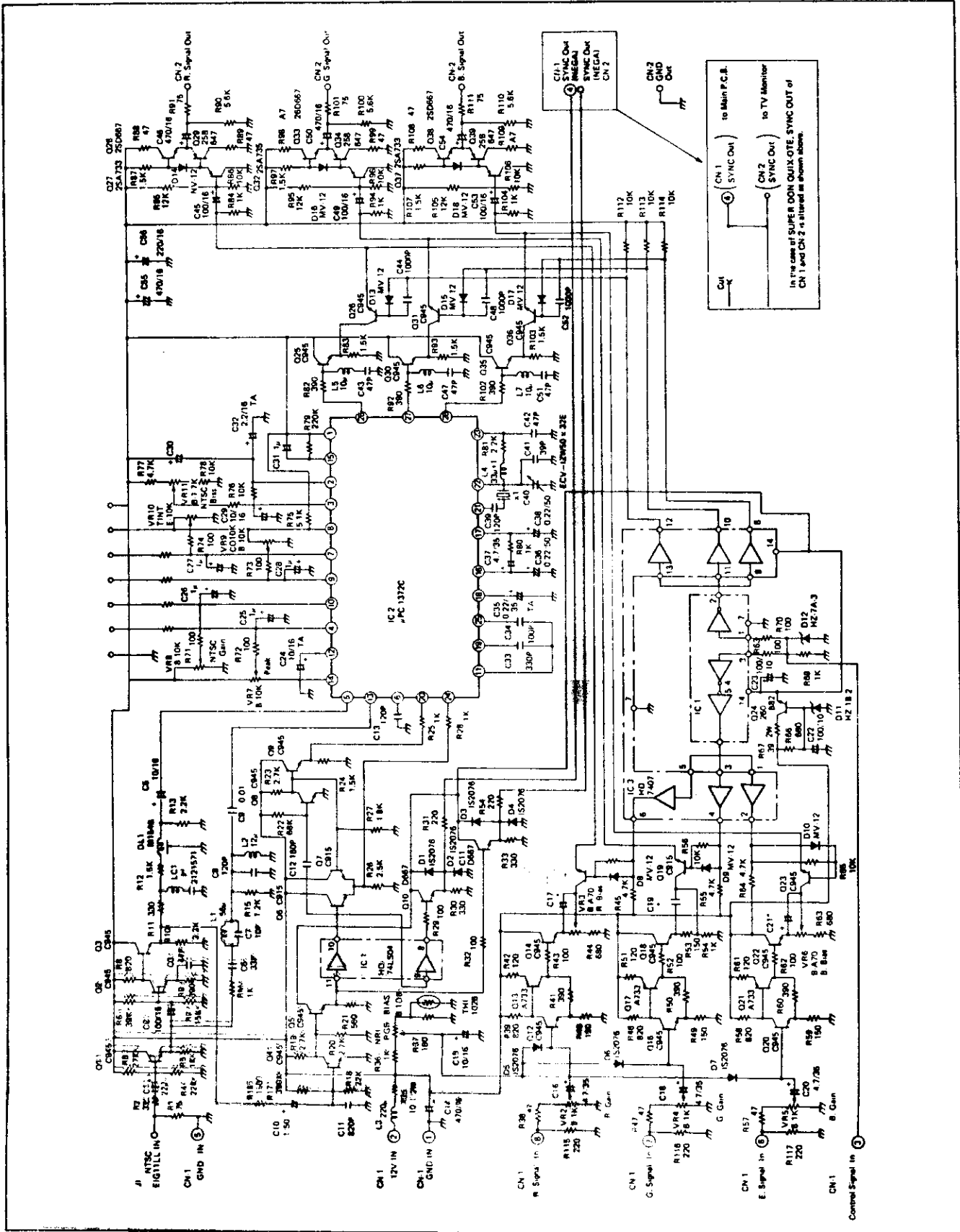


VIDEO REPEATER BOARD

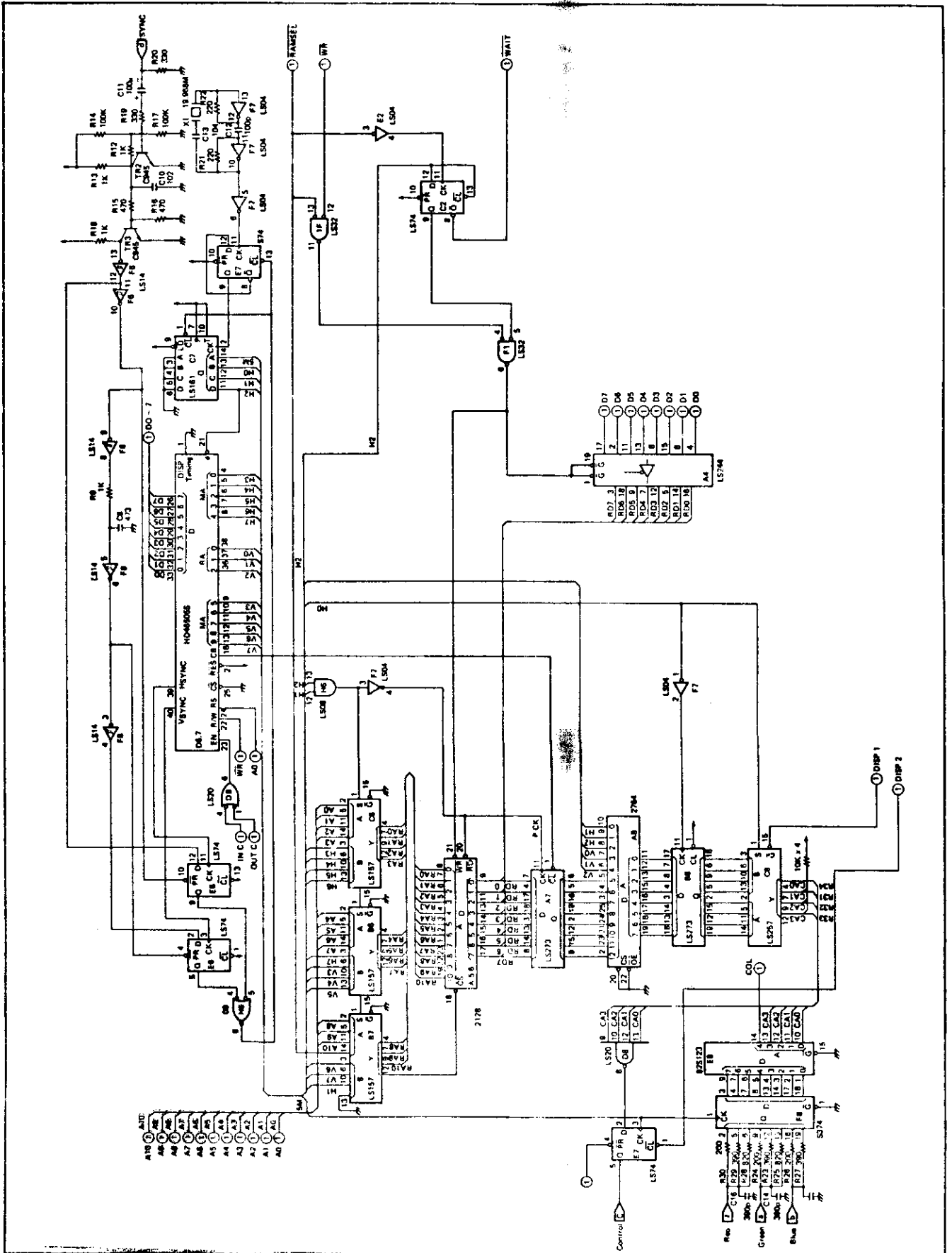
Descriptions of Video Repeater Board



Video Interface PCB

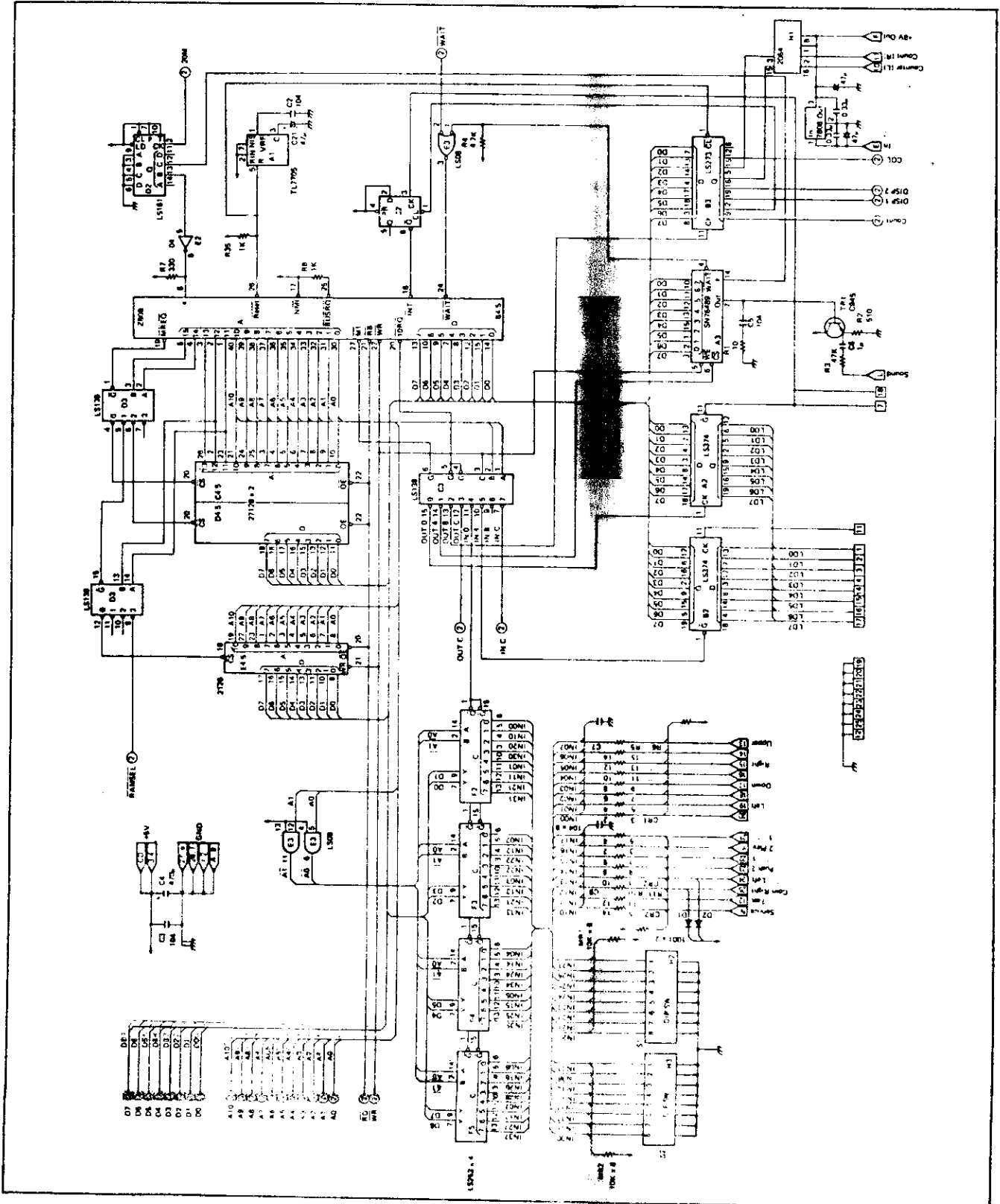


Video Interface PCB



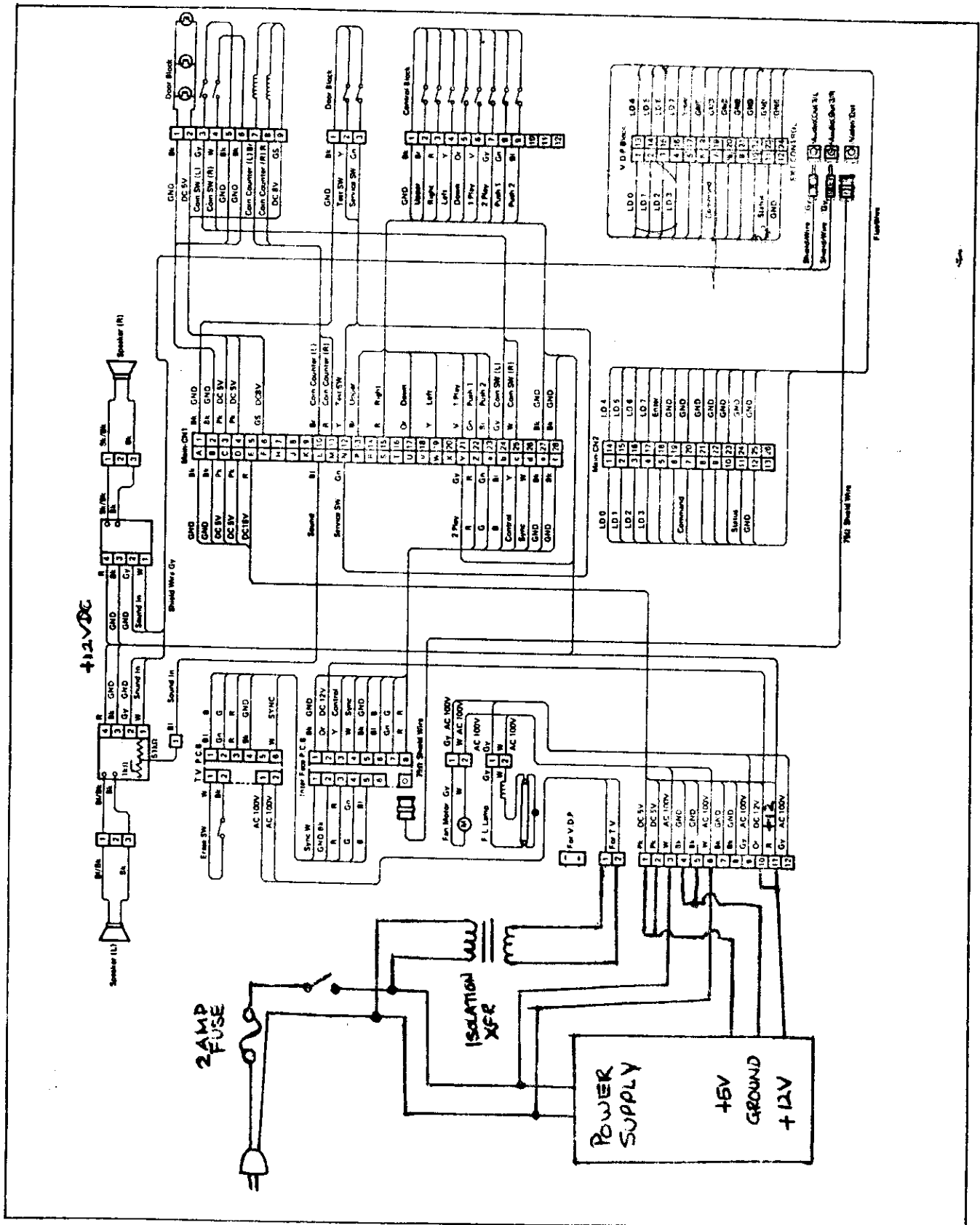
Main PCB (2)

1. Main PCB



Main PCB (1)

WIRING HARNESS



Wiring Harness

