

REVISIONS			
SYM	DESCRIPTION	INITIALS and DATE	
F	REV PER ECN 1025	1/1/75	
G	REV PER ECN 1075	1/1/75	
H	REV PER ECN 1257	1/1/75	
J	REV PER ECN 1094, 1901	1/1/75	

INTERPRET THIS DRAWING PER USASI Y145	DRAWN BY JES	DATE 1/1/75	ATARI INCORPORATED 14600 Winchester Boulevard Los Gatos, California 95030
UNLESS OTHERWISE SPECIFIED DIMENSIONS ARE IN INCHES TOLERANCES ON:	CHECKED		
FRACTIONS - 1/16 1/8 1/4 3/8 1/2 5/8 3/4 7/8 1 1 1/8 1 1/4 1 1/2 1 3/4 2 2 1/4 2 1/2 3 3 1/4 3 1/2 4 4 1/4 4 1/2 5 5 1/4 5 1/2 6 6 1/4 6 1/2 7 7 1/4 7 1/2 8 8 1/4 8 1/2 9 9 1/4 9 1/2 10 10 1/4 10 1/2	DESIGN ENGINEER S. J. Kins	6 JAN 75	TITLE SCHEMATIC, TANK BOARD I
ANGLES - 15° 30° 45° 60° 90° 120° 150° 180° SURFACE FINISH - MAX 10.0	PROJECT ENGINEER A. V. Kinn	6 JAN 75	
MATERIAL:	DOCUMENT CONTROL		
APPROVED 1/1/75			SHEET D DRAWING NO 003110 SCALE NONE SHEET 1 OF 2

NOTICE TO ALL PERSONS RECEIVING THIS DRAWING: CONFIDENTIAL. Reproduction forbidden without the specific written permission of Atari Inc., Los Gatos, California. This drawing is not to be used for any other purpose without the specific written permission of Atari Inc. under the company's written license. No other reproduction or distribution of this drawing is permitted without the specific written permission of Atari Inc.

Black = L  
Red = H

Low when coin  
when coin

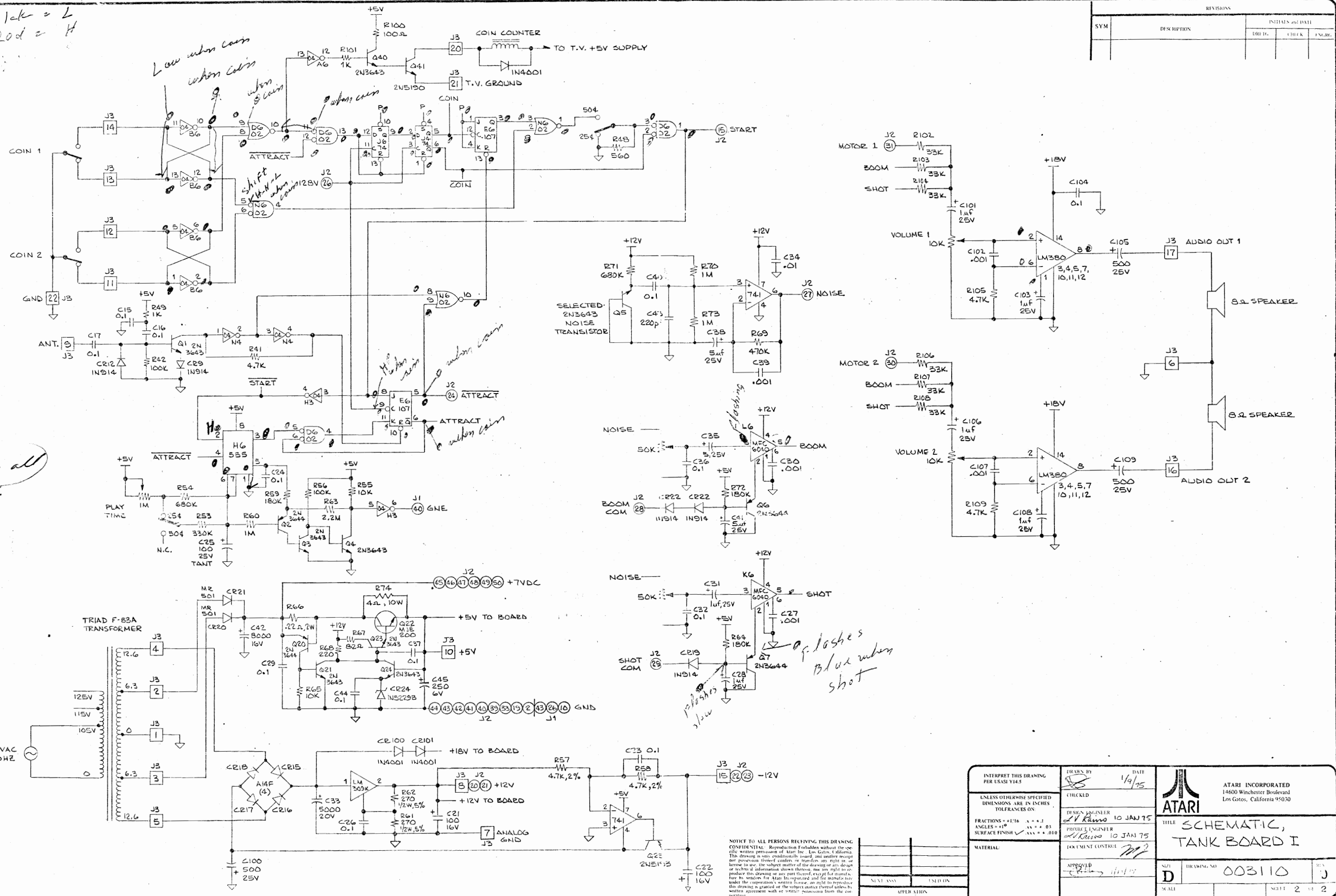
Shift  
when coin

High when coin  
when coin

when coin

flashes  
blue when  
shot

REVISIONS				
SYM	DESCRIPTION	INITIALS and DATE		
		DRG.	CHK.	ENGR.



339 all  
346  
370  
472  
419.

**NOTICE TO ALL PERSONS RECEIVING THIS DRAWING**  
 CONFIDENTIAL: Reproduction Forbidden without the specific written permission of Atari Inc., Los Gatos, California. This drawing is loaned conditionally toward and remains the property of Atari Inc. and shall not be used for any other purpose without the written consent of Atari Inc. No part of this drawing or any part thereof, except for dimensions, shall be reproduced in any form or by any means, electronic or mechanical, including photocopying, recording, or by any information storage and retrieval system, without the prior written permission of Atari Inc. All rights reserved. No part of this drawing or any part thereof, except for dimensions, shall be reproduced in any form or by any means, electronic or mechanical, including photocopying, recording, or by any information storage and retrieval system, without the prior written permission of Atari Inc. All rights reserved.

INTERPRET THIS DRAWING PER USASI Y14.5 UNLESS OTHERWISE SPECIFIED DIMENSIONS ARE IN INCHES TOLERANCES ON: FRACTIONS - ±.10 ANGLES - ±1° SURFACE FINISH - MAX .010 MATERIAL:	DRAWN BY: [Signature] DATE: 1/9/75 CHECKED: DESIGN ENGINEER: [Signature] PROJECT ENGINEER: [Signature] DOCUMENT CONTROL: [Signature]	<b>ATARI</b> ATARI INCORPORATED 14600 Winchester Boulevard Los Gatos, California 95030 TITLE: SCHEMATIC, TANK BOARD I SIZE: D DRAWING NO: 003110 SCALE: 1:1 SHEET: 2 OF 2
--	---	---