

This document has been downloaded from:



The largest resource for amusement machines
documentation on the world wide web!



FLIPPERSPILL.COM

JR. PAC-MAN

UNDER AGREEMENT BY NAMCO LTD.

INSTRUCTION MANUAL

Bally

MIDWAY MFG. CO.

10601 W. Belmont Avenue
Franklin Park, Illinois 60131
U.S.A.



Phone: (312) 451-9200 Cable Address: MIDCO Telex No.: 72-1596

WARNING

THIS GAME MUST BE GROUNDED. FAILURE TO DO SO MAY RESULT IN DESTRUCTION TO ELECTRONIC COMPONENTS.

WARNING: This equipment generates, uses, and can radiate radio frequency energy and if not used in accordance with the instructions manual, may cause interference to radio communications. It has been tested and found to comply with the limits for a CLASS A computing device pursuant to SUBPART J of PART 15 of FCC RULES, which are designed to provide reasonable protection against such interference when operated in a commercial environment. Operation of this equipment in a residential area is likely to cause interference in which case the user at his own expense will be required to take whatever measures may be required to correct the interference.

ELECTRICAL BULLETIN: FOR ALL APPARATUS COVERED BY THE CANADIAN STANDARDS ASSOCIATION (CSA) STANDARD C22.2 NO. 1, WHICH EMPLOYS A SUPPLY CORD TERMINATED WITH A POLARIZED 2-PRONG ATTACHMENT PLUG.

CAUTION: TO PREVENT ELECTRIC SHOCK DO NOT USE THIS (POLARIZED) PLUG WITH AN EXTENSION CORD, RECEPTACLE OR OTHER OUTLET UNLESS THE BLADES CAN BE FULLY INSERTED TO PREVENT BLADE EXPOSURE.

ATTENTION: POUR PREVENIR CHOCS ELECTRIQUES NE PAS UTILISER CETTE FICHE POLARISEE AVEC UN PROLONGATEUR. UNE PRISE DE COURANT OU UNE AUTRE SORTIE DE COURANT, SAUF SI LES LAMES PEUVENT ETRE INSEREES A FOND SANS EN LAISSER AUCUNE PARTIE A DECOUVERT.

Bally MIDWAYTM

Invites You To Use

OUR TOLL FREE NUMBERS FOR SERVICE INFORMATION CONCERNING THIS GAME, OR ANY OTHER BALLY MIDWAY GAME YOU NOW HAVE ON LOCATION.

CALL US FOR PROMPT, COURTEOUS ANSWERS TO YOUR PROBLEMS.

VIDEO → Continental U.S. 1-800-323-7182

PINBALL → Continental U.S. 1-800-323-3555

Bally MIDWAYTM

10601 West Belmont Avenue, Franklin Park, Illinois, 60131

phone (312)451-9200

© COPYRIGHT MCMLXXXIV BY BALLY MIDWAY MFG. CO.

ALL RIGHTS RESERVED

NO PART OF THIS PUBLICATION MAY BE REPRODUCED BY ANY MECHANICAL, PHOTOGRAPHIC, OR ELECTRONIC PROCESS, OR IN THE FORM OF A PHONOGRAPHIC RECORDING, NOR MAY IT BE TRANSMITTED, OR OTHERWISE COPIED FOR PUBLIC OR PRIVATE USE, WITHOUT PERMISSION FROM THE PUBLISHER. THIS MANUAL IS FOR SERVICE USE ONLY, AND NOT FOR GENERAL DISTRIBUTION. FOR PERMISSION REQUESTS, WRITE: BALLY MIDWAY MFG. CO., 10601 W. BELMONT AVE., FRANKLIN PARK, IL 60131

Printed in U.S.A.

JR PAC MAN

GAME OPERATION

JR. PAC-MAN is a one or a two player game with a color T.V. monitor. The game has four possible modes of operation: ATTRACT, READY-TO-PLAY, PLAY, and SELF-TEST.

SELF-TEST MODE

The Self-Test mode is a special mode for checking the game switches and computer functions. It is the easiest and best way to check for proper operation of the entire game.

NOTE: Putting the game into Self-Test will cause it to *erase* any CREDITS it has on it from its memory.

You may begin a Self-Test at any time after the power to the game is on by sliding the Self-Test switch to the "ON" position. Now that the game is in the Self-Test mode, it will react as follows:

1. First, you will see several moving multicolored patterns appear on the screen.
2. Immediately following this, a right side up test display is shown on the monitor screen. The game will remain in this Self-Test mode until you set the Self-Test switch back to the "OFF" position.
3. To check your game function switches and buttons (coin counter switches, door opening button, 1 PLAYER and 2 PLAYER buttons): activate each one while the game is in the Self-Test mode. You should hear a different game sound for each activation. If you do not hear it, the switch/button is either not working, miswired, or disconnected. Check it out thoroughly.
4. When finished with the Self-Test mode, slide the Self-Test switch back to the "OFF" position.

5. Normal game functions will now return to the monitor screen.
6. If you wish to produce **ONLY** a CROSS HATCH test pattern on the monitor screen for further use, slide the Self-Test switch to the "ON" position, wait for the Self-Test display to appear, and then turn it "OFF" again. A cross hatch pattern appears immediately on the screen and will remain for about one second. To retain it, set the Self-Test switch back "ON" again quickly (BEFORE the cross hatch pattern disappears). It will now remain on the screen until you set the Self-Test switch to the "OFF" position again. At that time normal game functions will return.

ATTRACT MODE

1. The Attract mode starts:
 - Just after power has been turned on to the game. (Self-Test switch is in the "OFF" position.)
 - After a Self-Test has been completed. (Performing a Self-Test sets the credits in the games memory to zero "0".)
 - After a play has been finished and there are no more credits left in the games memory.
 - No matter where the game is in the Attract mode sequence, it will immediately go to the Ready-To-Play mode display as soon as a game has been paid for.

READY-TO-PLAY MODE

1. The Ready-To-Play mode starts when enough coins have been accepted for a 1 or a 2 player game.
2. The Ready-To-Play mode ends when either the "1 PLAYER" or the "2 PLAYER" push button is pressed.
3. If no START button is pressed, the displays will remain on the monitor screen indefinitely.

PLAY MODE

1. The Play mode begins when either the "1 PLAYER" or the "2 PLAYER" start button is pressed.
2. The Play mode ends when all of your JR. PAC-MEN have been caught. When this happens, "GAME OVER" is written across the center of the monitor screen.

TWO PLAYER OPERATION

In the two player mode, the rules of play are the same as in the single player mode. There are some additional rules, however.

1. The players must take turns at the controls.
2. Your turn lasts until the pursuers catch your JR. PAC-MAN. At this point, the game will do one of several things depending on whether or not the caught JR. PAC-MAN was your last or if you still have others remaining in reserve.

JR. PAC-MAN CAUGHT - OTHERS REMAINING IN RESERVE

- The GAME stops.
- Next, the Rack changes to the Rack number the other player is in, and what's left of the other players Rack and his JR. PAC-MAN appear on the screen.
- Play then begins for the other player.

JR. PAC-MAN CAUGHT - NO OTHERS REMAINING IN RESERVE

- Game displays "GAME OVER".
- The Rack changes to the Rack number the other player is in, what's left of the other players maze and his JR. PAC-MAN appear on the monitor screen, and game play then begins for the other player.
- After the last player has finished his game, the game will either go to the Attract mode (if there are no more credits left in its memory) or into the Ready-To-Play mode (if there are still credits left in its memory).

RACK ADVANCE

Your NEW game is equipped with a RACK ADVANCE feature that can allow you to view and/or play the higher racks for test purposes. It is activated in the following manner:

1. Open the games coin door and rear access door.
2. Turn the power to the game on.
3. Gently pull out the plunger on the Safety Interlock Switch located just inside the rear access door.
4. Using the Test Credit Button, put a credit on the game.
5. Press the "1 PLAYER" start button.
6. **IMMEDIATELY** set switch number 7 of the DIP SWITCH PACK located at 9-D on the games P.C. Board to the "ON" position.
7. The game will now automatically advance through it's racks continuously.
8. When finished, set the above switch back to the "OFF" position, and close and lock all the games doors.
9. Normal game functions will now return.

JR. PAC-MAN SCORING

DESCRIPTION	POINTS AWARDED
SMALL DOTS	10 POINTS EACH
LARGE DOTS	50 POINTS EACH
ENERGIZER DOTS	50 POINTS EACH
TRICYCLE	100 POINTS EACH
KITE	200 POINTS EACH
DRUM	500 POINTS EACH
BALLOON	700 POINTS EACH
TRAIN	1000 POINTS EACH
CAT	2000 POINTS EACH
SODA MUG	5000 POINTS EACH

JR. PAC-MAN

OPTION SWITCH SETTINGS

////////////////////////////////////METHOD OF PLAY////////////////////////////////////

	SW#1	SW#2	SW#3	SW#4	SW#5	SW#6	SW#7	SW#8
FREE PLAY	ON	ON						
*1 COIN 1 PLAY	OFF	ON						
1 COIN 2 PLAYS	ON	OFF						
2 COINS 1 PLAY	OFF	OFF						

////////////////////////////////////NUMBER OF JR. PAC-MEN PER GAME////////////////////////////////////

1 JR. PAC-MAN	ON	ON
2 JR. PAC-MEN	OFF	ON
*3 JR. PAC-MEN	ON	OFF
5 JR. PAC-MEN	OFF	OFF

////////////////////////////////////BONUS JR. PAC-MEN////////////////////////////////////

*BONUS JR. PAC-MAN AT 10,000 POINTS	ON	ON
BONUS JR. PAC-MAN AT 15,000 POINTS	OFF	ON
BONUS JR. PAC-MAN AT 20,000 POINTS	ON	OFF
BONUS JR. PAC-MAN AT 30,000 POINTS	OFF	OFF

////////////////////////////////////SPECIAL FUNCTIONS////////////////////////////////////

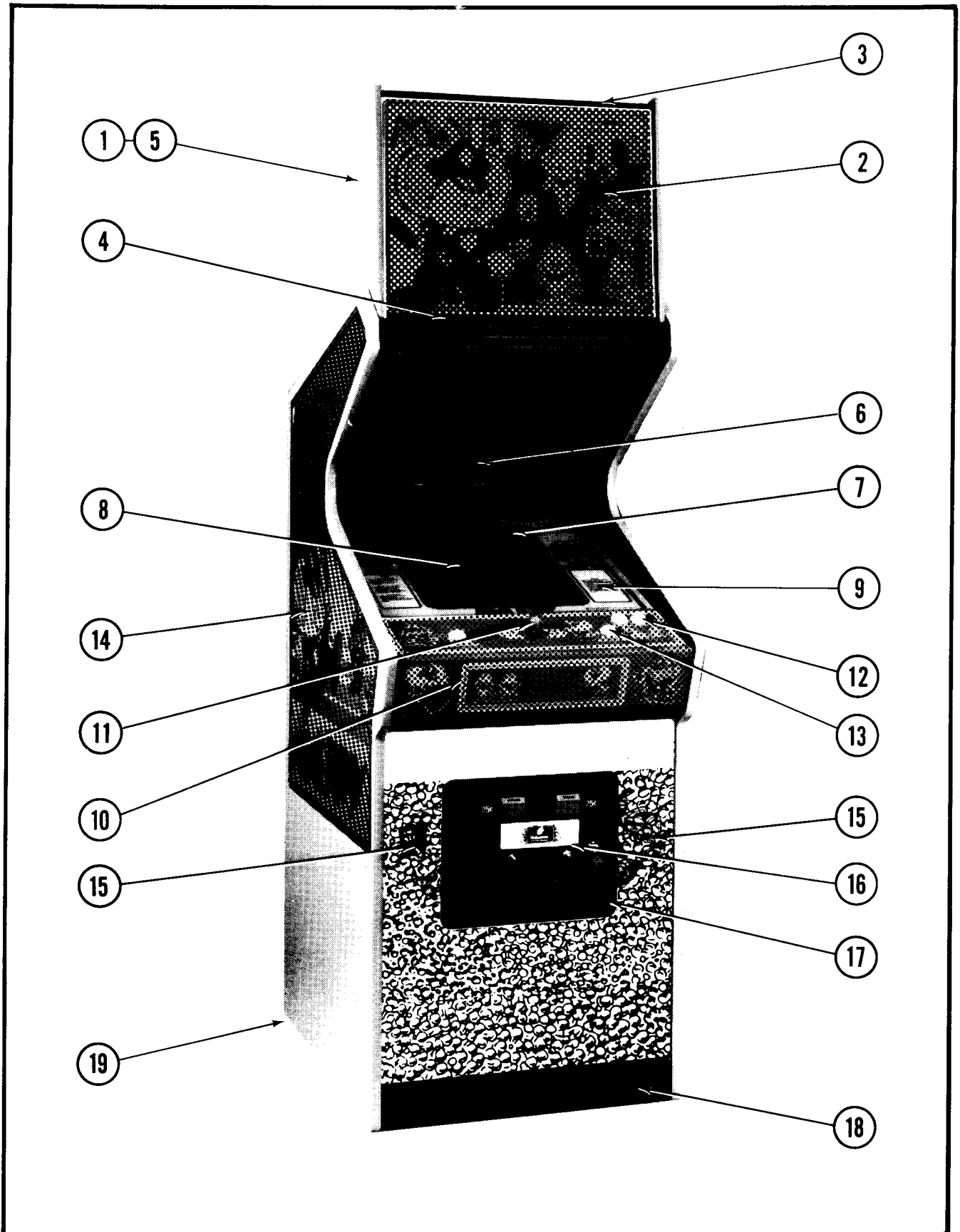
AUTOMATIC RACK ADVANCE	ON	OFF
FREEZE VIDEO (MONITOR PRESENTATION STOPS MOVING)	OFF	ON
*GAME OPERATES NORMALLY	OFF	OFF

*INDICATES FACTORY RECOMMENDED SETTINGS

PART NO. M051-00A29-A007

II. Illustrated Parts Breakdown

NO. 0A29 - JR. PAC-MAN - UPRIGHT - FRONT

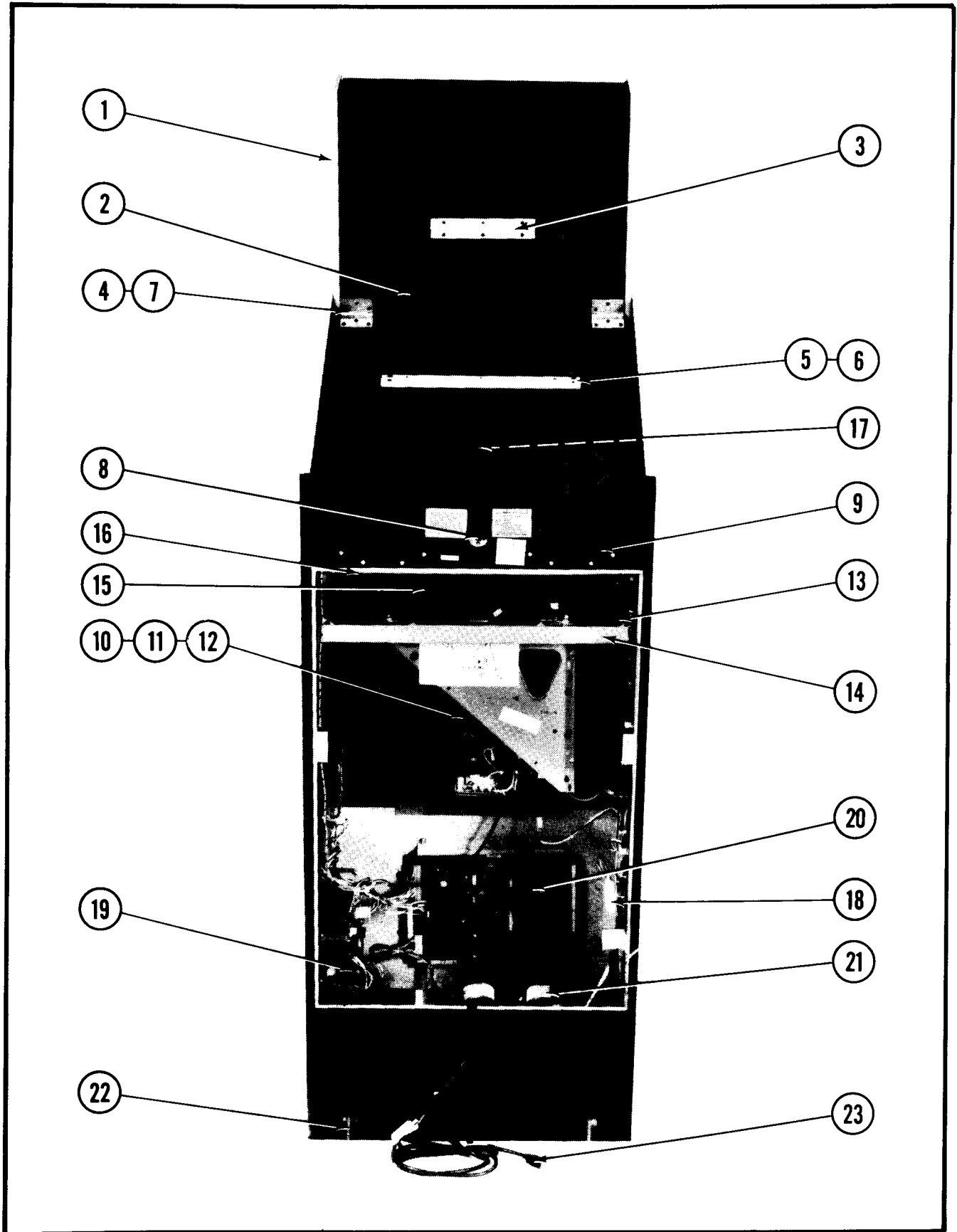


NO. 0A29 - JR. PAC-MAN - UPRIGHT - FRONT - PARTS LIST

ORDER BY PART NUMBER ONLY

ITEM	PART NO.	DESCRIPTION
1	A353-00011-0000	HEADER ASSY.
2	0A29-00900-00XF	HEADER - 17-7/16"x21 7/8"
3	0353-00103-00XF	HEADER RETAINER - UPPER
4	A353-00014-00XF	HEADER RETAINER ASSY. - LOWER
	0017-00101-0138	#8-5/8 TORX TAMPER RESISTANT SCR. (6 REQ'D.)
5	A353-00021-0000	FLUOR. HEADER LIGHT ASSY. (2 REQ'D.)
6	0017-00009-0393	BLACK SPEAKER GRILL W/SLOTS
	0017-00003-0259	6"x9" SPEAKER - 8 OHM, 8W.
	0017-00101-0127	#8-32x1 1/2 CARRIAGE BOLT (4 REQ'D.)
	0017-00103-0061	#8-32 HEX NUT W/SEMS (4 REQ'D.)
7	0508-00900-0000	T.V. BEZEL
8	0508-00905-0000	PLEXI-DIFFUSER
	0508-00901-0000	PLEXI-GLASS CLIPS (4 REQ'D.)
	0017-00101-0017	#6x 1/2 BLK. SLT. HEX HD. SCREW (4 REQ'D.)
9	0A29-00900-00XF	MAIN VIEWING GLASS
	0508-00108-0000	GLASS STOP BRKT.
	0017-00101-0017	#8x 3/4 SLT. HEX HD. M.S. (3 REQ'D.)
10	A353-00019-0000	OVERLAY - CONTROL SHELF PLATE ASSY.
	A353-00018-0000	CONTROL SHELF PLATE WELD ASSY.
	0353-00903-0000	DECORATIVE OVERLAY
	0353-00107-0100	CONTROL SHELF MTG. BRKT. - RIGHT
	0353-00107-0200	CONTROL SHELF MTG. BRKT. - LEFT
	0555-00901-0000	PLASTIC LOCATING PIN (4 REQ'D.)
	0017-00009-0534	BASSICK CLAMP (3 REQ'D.)
	0017-00101-0141	#8x11/16 UNSLOT. HEX HD. SCR. (10 REQ'D.)
	0353-00906-0000	CONTROL SHELF STRAP
11	A353-00015-0000	CONTROL ASSEMBLY
	A353-00006-0000	CONTROL SHELF CABLE ASSY.
12	0017-00042-0260	PUSH BUTTON ASSY. - WHITE (2 REQ'D.)
13	0017-00042-0257	PUSH BUTTON ASSY. - YELLOW (2 REQ'D.)
	0017-00032-0093	PUSH BUTTON SWITCH W/HOLDER (4 REQ'D.)
	0017-00103-0054	5/8-11 PAL NUT (4 REQ'D.)
14	0A29-00902-0200	DECAL-LEFT SIDE
	0A29-00902-0100	DECAL - RIGHT SIDE (NOT SEEN)
15	0A29-00906-0000	FRONT DECAL - KIT
16	A090-00300-11BK	U.S.A. 25¢ DOUBLE COIN DOOR ASSY.
	A982-00015-0000	COIN DOOR CABLE ASSY.
17	0090-00002-04BK	LARGE COIN DOOR FRAME
	0017-00101-0121	#6-32x5/16 PHIL. TRS. HD. SCR. (3 REQ'D.)
18	0935-00906-0100	KICK PLATE - 23" LG.
19	0017-00102-0048	3/8-16x2" LEG LEVELERS (4 REQ'D.)
	0017-00103-0026	3/8-16 LEG LEVELER HEX NUTS (4 REQ'D.)

NO. 0A29 - JR. PAC-MAN - UPRIGHT - REAR



NO. 0A29 - JR. PAC-MAN - UPRIGHT - REAR - PARTS LIST

ORDER BY PART NUMBER ONLY

ITEM	PART NO.	DESCRIPTION
1	A353-00011-0000	HEADER ASSY.
2	0353-00110-0000	HEADER SUPPORT BRACE
3	0353-00102-0000	SUPPORT ARM BRACKET
4	0017-00009-0545	SUPPORT HINGE (2 REQ'D.)
5	0353-00109-0000	POSITIONING BRKT.
6	0017-00101-0138	#8x $\frac{5}{8}$ TORX TAMPER RESISTANT SCR. (22 REQ'D.)
7	0017-00101-0149	#10x $\frac{1}{8}$ TORX TAMPER RESISTANT SCR. (2 REQ'D.)
	0017-00104-0011	#10 EXT. STAR WASHER (2 REQ'D.)
	0017-00104-0039	#10 FLAT WASHER (2 REQ'D.)
8	A945-00038-0000	ON-OFF SWITCH & PLATE ASSY.
9	0894-00916-0000	PLASTIC PULL & VENT (2 REQ'D.)
	0017-00101-0141	#8x $\frac{11}{16}$ UNSLOT. HEX HD. M.S. (8 REQ'D.)
10	0017-00003-0339	ELECTROHOME - 19" COLOR DUAL SYNC. HORIZ. MTG. MONITOR (OR)
11	0017-00003-0439	WELLS-GARDNER - 19" COLOR DUAL SYNC. HORIZ. MTG. MONITOR (OR)
12	0017-00003-0454	ZENITH - 19" COLOR DUAL SYNC. HORIZ. MTG. MONITOR
13	0349-00101-0000	MONITOR RAIL (2 REQ'D.)
	0555-00901-0000	PLASTIC LOCATING PIN (4 REQ'D.)
	0017-00101-0141	#8x $\frac{11}{16}$ UNSLOT HEX HD. M.S. (8 REQ'D.)
14	0349-00100-0000	MONITOR MTG. ANGLE BRKT. (2 REQ'D.)
	0017-00101-0144	#10-24x $\frac{5}{8}$ SLT. HEX W/WASHER SCR. (4 REQ'D.)
	0017-00101-0082	#10x $\frac{3}{4}$ UNSLOT HEX HD. BOLT (4 REQ'D.)
	0017-00104-0011	#10 EXT. WASHER (4 REQ'D.)
15	0508-00900-0000	19" T.V. BEZEL
	0508-00106-0000	BEZEL MTG. BRKT.
16	0508-00108-0000	GLASS STOP BRKT.
	0017-00101-0027	#8x $\frac{3}{4}$ SLT. HEX HD. M.S. (3 REQ'D.)
17	0017-00003-0259	6"x9" SPEAKER - 8 OHM, 8W.
18	A088-00016-0000	INTELOCK SWITCH & SPRING BRKT. ASSY.
19	AA29-00006-0000	CARD RACK ASSY. W/BOARDS
20	A082-90427-A000	POWER SUPPLY P.C.B. ASSY. - 70VA.
	0624-00902-0100	P.C. SUPPORT BRKT. - 12" LG. (2 REQ'D.)
	0624-00902-0500	P.C. SUPPORT BRKT. - 6 $\frac{1}{2}$ " LG. (2 REQ'D.)
	0317-00102-0000	P.C. MTG. BRACE BRKT. (4 REQ'D.)
	0017-00101-0141	#8x $\frac{11}{16}$ UNSLOT HEX HD. M.S. (10 REQ'D.)
	0017-00104-0037	#8 FLAT WASHER (10 REQ'D.)
21	A945-00036-0002	POWER CHASSIS ASSY. - 70VA., 115V.
22	A961-00007-0000	CASTER ASSEMBLY (2 REQ'D.)
	0961-00109-0000	WHEEL BRKT. (2 REQ'D.)
	0017-00042-0255	PLASTIC WHEEL (2 REQ'D.)
	0894-00702-00XF	SHAFT (2 REQ'D.)
	0017-00100-0037	$\frac{3}{8}$ " E-RING (2 REQ'D.)
23	A945-00019-0000	LINE CORD ASSY.

NO. 0A29 - JR. PAC-MAN - UPRIGHT - REAR - PARTS LIST

ORDER BY PART NUMBER ONLY

ITEM	PART NO.	DESCRIPTION
		ADDITIONAL PARTS LIST
	A950-00004-0000	COIN BOX ASSEMBLY
	A950-00006-0100	WIRE COIN BOX CRADLE ASSY.
	0950-00105-0000	COIN BOX COVER
	0950-00104-0000	COIN BOX HANDLE
	0950-00101-0000	COIN DEFLECTOR (2 REQ'D.)
	0950-00900-0000	LARGE PLASTIC COIN BOX
	A097-00009-0000	BACK DOOR LOCK ASSY.
	0017-00009-0490	5% SQR. VENT GRILL (4 REQ'D.)
	A353-00008-0000	MASTER CABLE W/BRKT. ASSY.
	A353-00010-0000	HIGH VOLTAGE CABLE ASSY.
	A316-00010-0000	LOW VOLTAGE CABLE ASSY.
	A508-00034-0000	AUDIO ADAPTOR CABLE ASSY.
	A508-00035-0000	VIDEO ADAPTOR CABLE ASSY.
	A508-00024-0000	SIGNAL CABLE ASSY.

PAC-MAN/MS. PAC-MAN TO JR. PAC-MAN - PARTS LIST

ORDER BY PART NUMBER ONLY

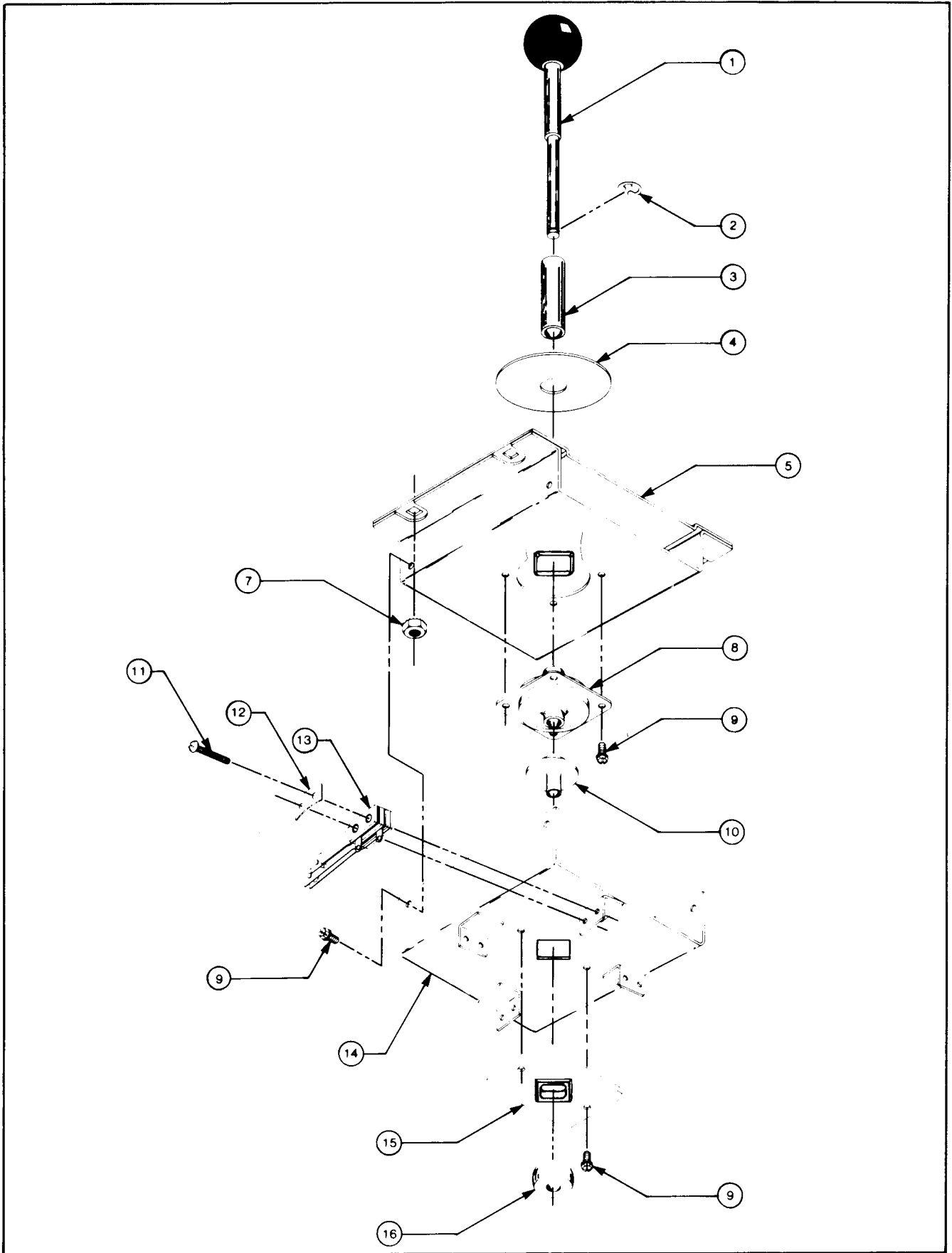
ITEM	PART NO.	DESCRIPTION
	0A29-00901-00XF	HEADER
	0A29-00908-00XF	HEADER - KIT
	0A29-00906-0000	FRONT DECAL - KIT
	0A29-00907-0000	CONTROL SHELF OVERLAY - KIT

NO. 0A29 - JR. PAC-MAN - CONTROL ASSY. - PARTS LIST

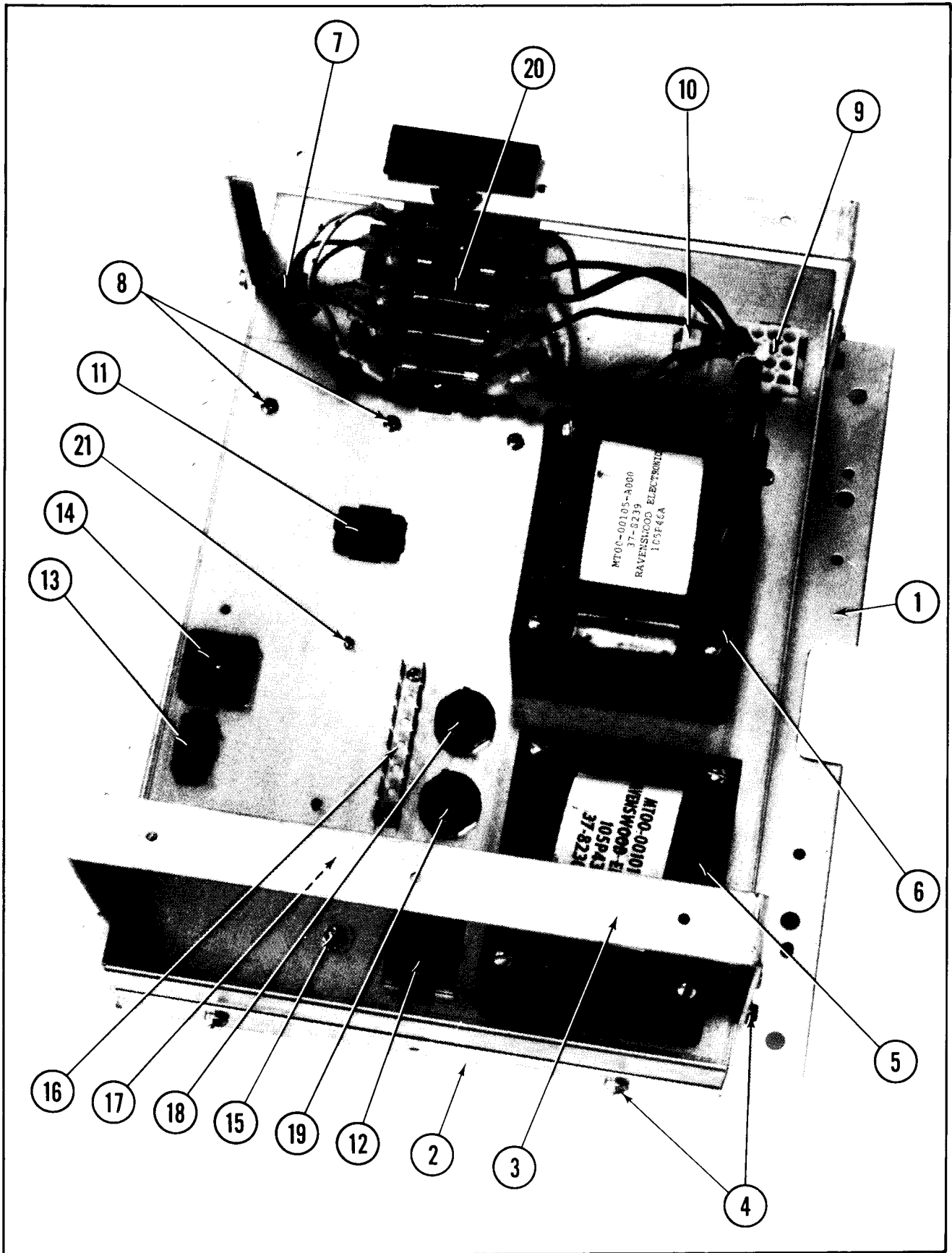
ORDER BY PART NUMBER ONLY

ITEM	PART NO.	DESCRIPTION
1	A932-00022-0000	BALL & SHAFT ASSEMBLY
2	0017-00100-0025	1/4 E-RING
3	0921-00702-0000	STOP SPACER
4	0921-00902-0000	SLIDE PLATE
5	A982-00019-0000	PIVOT PLATE WELD ASSY.
7	0017-00103-0061	#8-32 HEX NUT W/SEMS (4 REQ'D.)
8	0932-00902-0000	GROMMET
9	0017-00101-0598	#8-32 x 5/16 SLT. HEX HD. M.S. (10 REQ'D.)
10	0962-00904-0000	SLEEVE
11	0017-00101-0527	#5-40 x 5/8 SLT. RND. HD. SCR. (8 REQ'D.)
12	0020-00202-0000	SWITCH PLATE (4 REQ'D.)
13	A932-00009-0000	SWITCH ASSEMBLY (4 REQ'D.)
14	A316-00019-0000	STOP PLATE & SWITCH BRKT. ASSY.
15	0932-00905-0000	WEAR PLATE
16	0921-00700-0000	ACTUATOR

NO. 0A29 - JR. PAC-MAN - CONTROL ASSY.



NO. 0A29 - JR. PAC-MAN - POWER CHASSIS ASSY. - 70VA, 115V.

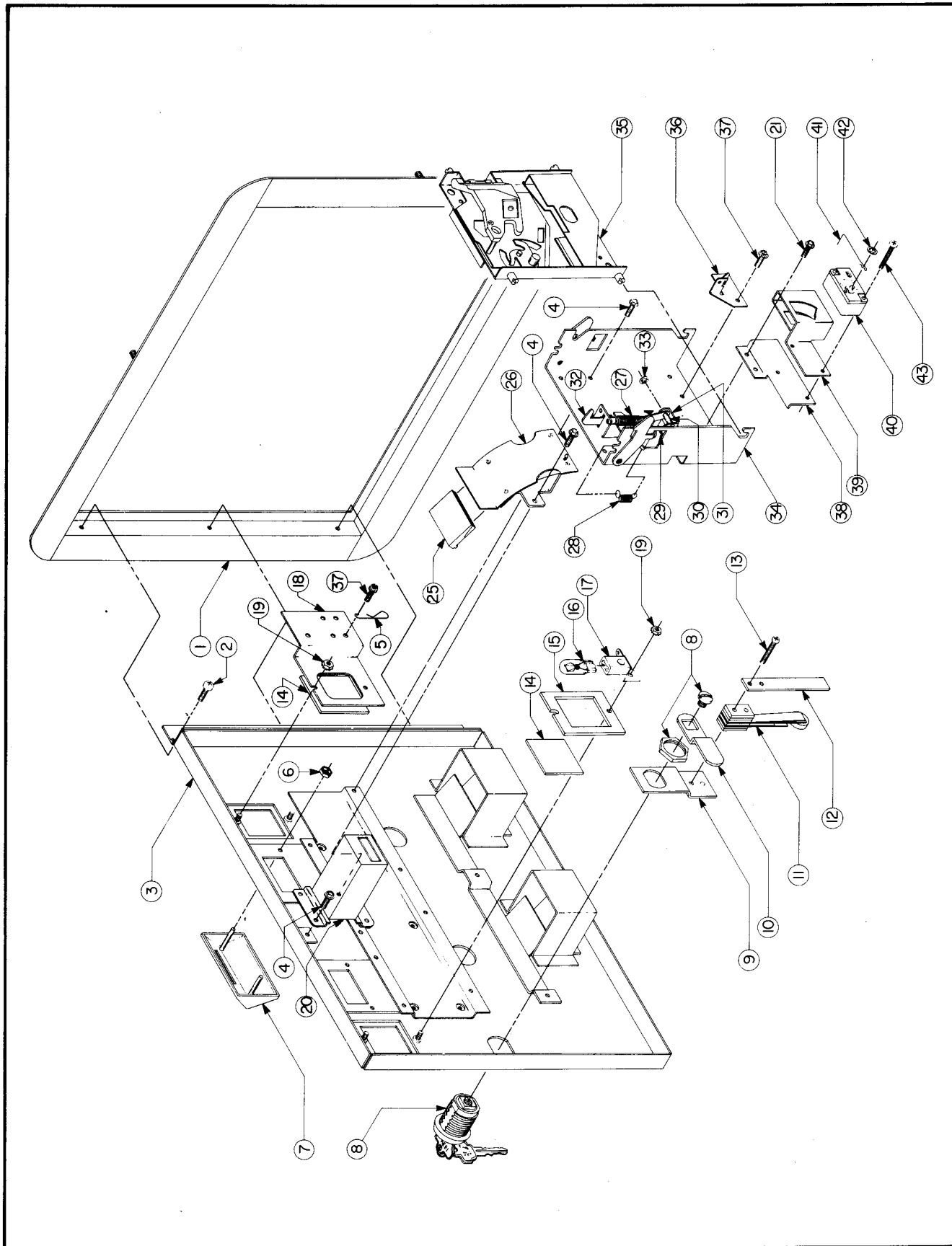


NO. 0A29 - JR. PAC-MAN - POWER CHASSIS ASSY. - 70VA, 115V. - PARTS LIST

ORDER BY PART NUMBER **ONLY**

ITEM	PART NO.	DESCRIPTION
1	A945-00045-00XF	CHASSIS & PARTITION ASSY.
2	A945-00029-0100	MTG. PLATE & BARRIER ASSY.
3	0945-00107-01XF	STRAP (2 REQ'D.)
4	0017-00101-0123	#8 x 1/4 UNSLOT. HD. SCR. (12 REQ'D.)
5	MT00-00101-B000	ISOLATION TRANSFORMER W/O SHIELD ASSY. — 115 V., 50/60 HZ. (UPRIGHT ONLY)
5	MT00-00102-B000	ISOLATION TRANSFORMER W/SHIELD ASSY. — 115V., 50/60 HZ. (COCKTAIL ONLY)
6	0017-00103-0061	#8-32 HEX NUT W/SEMS (4 REQ'D.)
6	MT00-00105-A000	POWER TRANSFORMER W/O SHIELD — 70VA, 115V. (UPRIGHT ONLY)
6	MT000-00105-B000	POWER TRANSFORMER W/SHIELD — 70VA, 115V. (COCKTAIL ONLY)
7	0017-00103-0061	#8-32 HEX NUT W/SEMS (4 REQ'D.)
7	0945-00902-0000	SNAP BRUSHING (3 REQ'D.)
8	0017-00101-0067	#6 x 3/8 PHIL. PAN HD. SCR. (11 REQ'D.)
9	A945-00030-0400	CONNECTOR & CABLE ASSY.
10	0017-00021-0297	2 POSITION CONNECTOR
11	A945-00030-0300	CONNECTOR & CABLE ASSY.
12	A945-00030-0500	CONNECTOR & CABLE ASSY.
13	A945-00030-0200	CONNECTOR & CABLE ASSY.
14	A945-00021-0000	CONVENIENCE OUTLET ASSY.
15	0017-00101-0573	#6-32 x 1/2 PHIL. RND HD. SCR. (2 REQ'D.)
15	0017-00103-0084	#6-32 HEX NUT W/SEMS (2 REQ'D.)
15	A945-00025-0000	FILTER ASSY. — 125V. — UNDER CHASSIS (NOT SEEN)
16	0017-00021-0510	TERMINAL STRIP
16	0017-00101-0140	#4-40 x 5/16 PHIL. PAN HD. SCR. (2 REQ'D.)
17	0017-00101-0660	#10-32 x 3/4 SLT. PAN HD. SCREW (NOT SEEN)
17	0017-00104-0107	#10 FLAT WASHER
17	0017-00103-0081	#10-32 HEX NUT W/SEMS
18	0017-00003-0263	SLO-BLO FUSE — 4A., 250V.
19	0017-00003-0005	FUSE — 2A., 250V.
19	0017-00003-0444	FUSE HOLDER — QUICK CONN. (2 REQ'D.) — FOR ABOVE FUSES
20	0945-00904-0000	5 POSITION FUSE HOLDER
20	0945-00908-0000	FUSE BLOCK INSULATOR
20	0017-00003-0217	SLO-BLO FUSE — 2.5A., 250V. (2 REQ'D.)
20	0017-00003-0321	SLO-BLO FUSE — 5A., 250V. (2 REQ'D.)
20	0017-00003-0263	SLO-BLO FUSE — 4A., 250V.
20	0945-00903-0000	FUSE HOLDER BARRIER
21	0017-00101-0067	#6 x 3/8 PHIL. PAN HD. SCREW (2 REQ'D.)
21	0017-00101-0780	#6 x 1/2 PHIL. PAN HD. SCREW (2 REQ'D.)
21	0017-00021-0629	5 POSITION TERMINAL STRIP (UNDER CHASSIS)
21	A945-00019-0000	LINE CORD ASSY. — 115V. (NOT SHOWN)
21	A945-00033-0000	MAGNETIC SHIELD & LABEL ASSY. (NOT SHOWN)

FRONT DOOR ASSEMBLY — U.S.A. 25¢

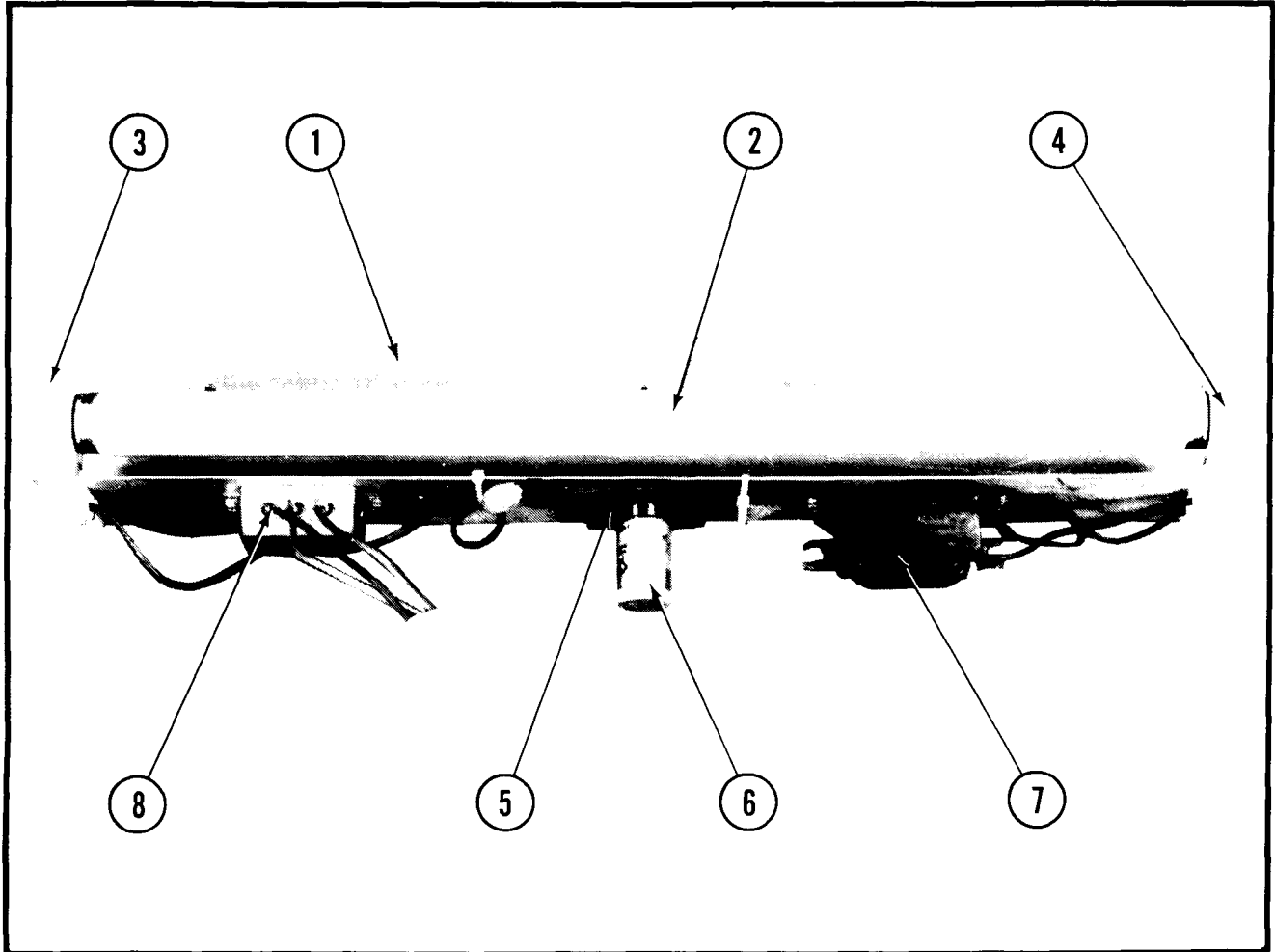


FRONT DOOR ASSEMBLY — U.S.A. 25¢ — PARTS LIST

ORDER BY PART NUMBER ONLY

ITEM	PART NO.	DESCRIPTION
1	0090-00002-04BK	DOUBLE ENTRY COIN DOOR FRAME
2	0017-00101-0121	#6-32 x 5/16 PHIL. TRS. HD. SCR. (3 REQ'D.)
3	A090-00073-02BK	DOUBLE ENTRY COIN DOOR W/DRESS PLATE
4	0017-00101-0123	#8 x 1/4 UNSLOT. HEX HD. SCREW (12 REQ'D.)
5	0017-00007-0019	KEY HOOK
6	0017-00103-0059	PUSH NUT (4 REQ'D.)
7	0090-00912-0000	COIN ENTRY PLATE — 25¢ (2 REQ'D.)
8	A097-00005-0000	DOOR LOCK & KEY W/SCREW & NUT (OR)
8	A097-00006-0000	DOOR LOCK & KEY W/SCREW, & NUT
9	0090-00128-00XF	DOOR TILT SWITCH BRKT.
10	0017-00005-0225	DOOR CAM
11	A090-00095-0000	DOOR TILT SWITCH
12	0090-00126-03XF	SWITCH BACK-UP PLATE
13	0017-00101-0525	#5-40 x 9/16" PHIL. HD. M.S. (2 REQ'D.)
	A090-00096-0000	DOOR TILT SWITCH & BRKT. ASSY. (ITEMS 9 & 11 THRU 13)
14	0090-00903-9500	25¢ WINDOW (2 REQ'D.)
15	0090-00143-00XF	COIN PLEX RETAINER
16	0017-00003-0219	12 VOLT LAMP — G.E. #194 (2 REQ'D.)
17	0017-00031-0048	WEDGE SOCKET W/BRKT. (2 REQ'D.)
18	A090-00100-0000	BRKT. ASSY.
19	0017-00103-0084	#6-32 HEX NUT W/SEMS (4 REQ'D.)
20	A090-00089-0000	COIN METER W/DIODE
21	0017-00101-0124	#6 x 1/4 UNSLOT. HEX HD. SCR. (4 REQ'D.)
25	0090-00911-0000	INSULATOR (2 REQ'D.)
26	A090-00112-0000	COIN CHUTE & TOP ASSY. (2 REQ'D.)
27	0010-00134-0000	SPRING
28	0010-00181-0000	SPRING
29	0017-00007-0083	1/8 x 1-5/8 ROLL PIN
30	0090-00129-00XF	PIVOT POST
31	0090-00167-00XF	PIVOT LEVER
32	0090-00182-00XF	REJECT LEVER
33	0017-00100-0018	E-RING
	A090-00088-0000	REJECT LEVER ASSY. (2 REQ'D.) (ITEMS 30 THRU 33)
34	A090-00105-0000	COIN ACCEPTOR FRAME ASSY. (2 REQ'D.)
35	0017-00005-0003	COIN ACCEPTOR W/STRING CUTTER (2 REQ'D.) (OR)
35	0017-00005-0211	COIN ACCEPTOR W/ANTI STRING DEVICE (2 REQ'D.) (OR)
35	0017-00005-0214	COIN ACCEPTOR W/STRING CUTTER (2 REQ'D.)
36	A090-00064-0000	ANTI-PENNY DEVICE
37	0017-00101-0099	#6 x 1/4 SLT. HEX HD. M.S. (2 REQ'D.)
38	0090-00162-00XF	COIN SWITCH MTG. BRKT.
39	0017-00005-0203	COIN SWITCH CHUTE
40	0017-00005-0195	COIN SWITCH
41	0010-00599-0000	COIN SWITCH WIRE
42	0017-00007-0015	PUSH-ON RING
	A090-00059-0400	COIN SWITCH & WIRE ASSY. (ITEMS 40 THRU 42)
43	0017-00101-0147	#4-40 x 3/4 PHIL. PAN. HD. M.S. (2 REQ'D.)
	A090-00077-0000	COIN GUIDE & SWITCH ASSY. (ITEMS 38 THRU 43)

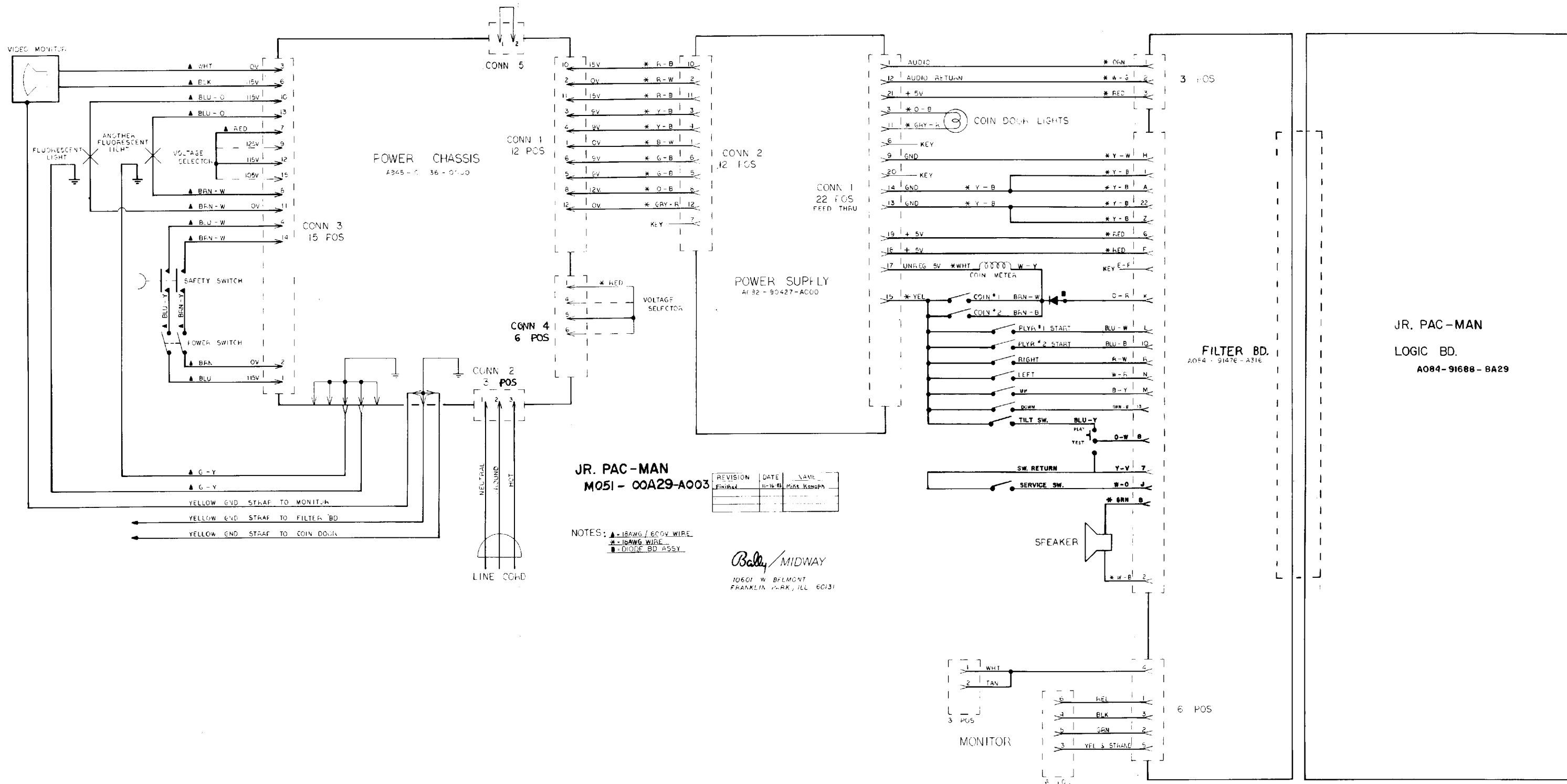
NO. 0A29 - JR. PAC-MAN - HEADER FLUORSECENT LIGHT ASSY.

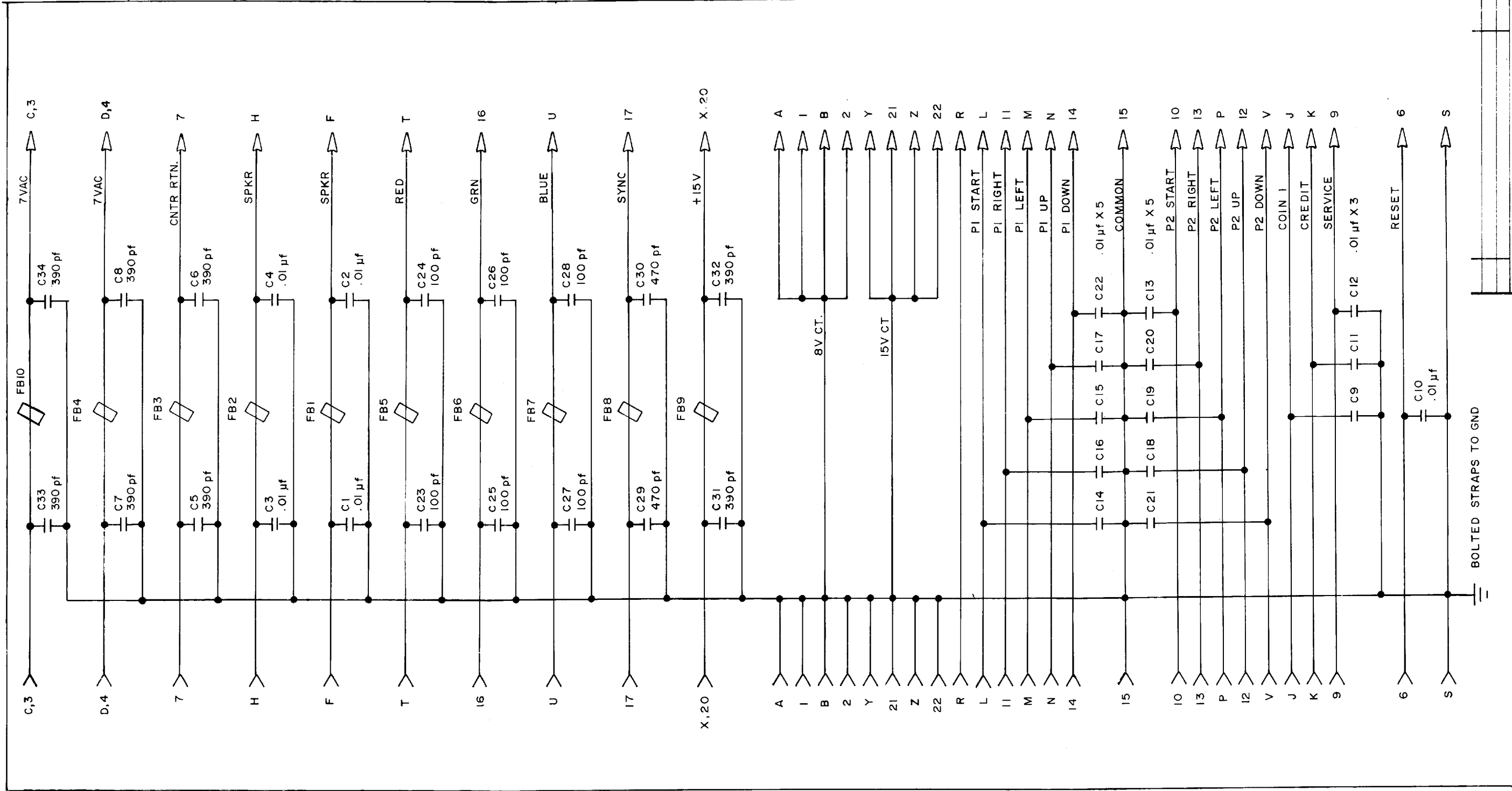


NO. 0A29 - JR. PAC-MAN - HEADER FLUORSECENT LIGHT ASSY. - PARTS LIST

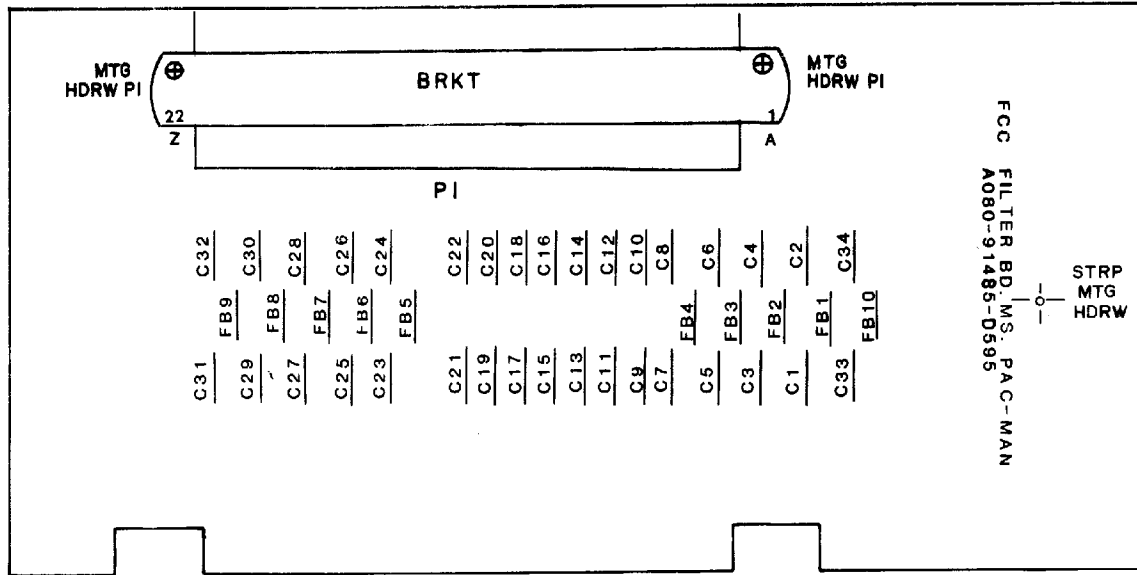
ORDER BY PART NUMBER ONLY

ITEM	PART NO.	DESCRIPTION
1	0353-00113-0000	FLUORESCENT BRKT.
2	0017-00003-0043	18" COOL WHITE FLUORESCENT LAMP
3	0017-00003-0445	LAMP LOCKS (2 REQ'D.)
4	0017-00031-0036	FLUORESCENT SOCKET (2 REQ'D.)
5	0017-00003-0412	FLUORESCENT STARTER HOLDER W/LEADS
	0017-00101-0573	#6-32 x 1/2 PHIL. RND. HD. M.S. (4 REQ'D.)
	0017-00104-0009	#6 EXT. WASHER (4 REQ'D.)
6	0017-00003-0019	FLUORESCENT STARTER
7	0017-00003-0026	BALLAST
	0017-00101-0598	#8-32 x 5/16 SLT. HEX HD. SCR. (4 REQ'D.)
8	A961-00042-0000	LINE FILTER ASSY.





PROJECT ENG: J. SZERSZEN		USED ON: JR. PACMAN		REVISIONS	
DO NOT SCALE DWG.		SCALE: FULL	NO. RECD: 1	MIDWAY MFG. CO. FRANKLIN, PA.	
DIM. TOLERANCES: UNLESS SPECIFIED		FCC FILTER BD, MS. PACMAN SCHEMATIC DWG.		PART NO: M051 - 00595 - D017	
DRW: JSD	CHK: JSD	A084-91485-D595		MIDWAY MFG. CO.	
DATE: 12/08/83	BOLTED STRAPS TO GND		MIDWAY MFG. CO.		



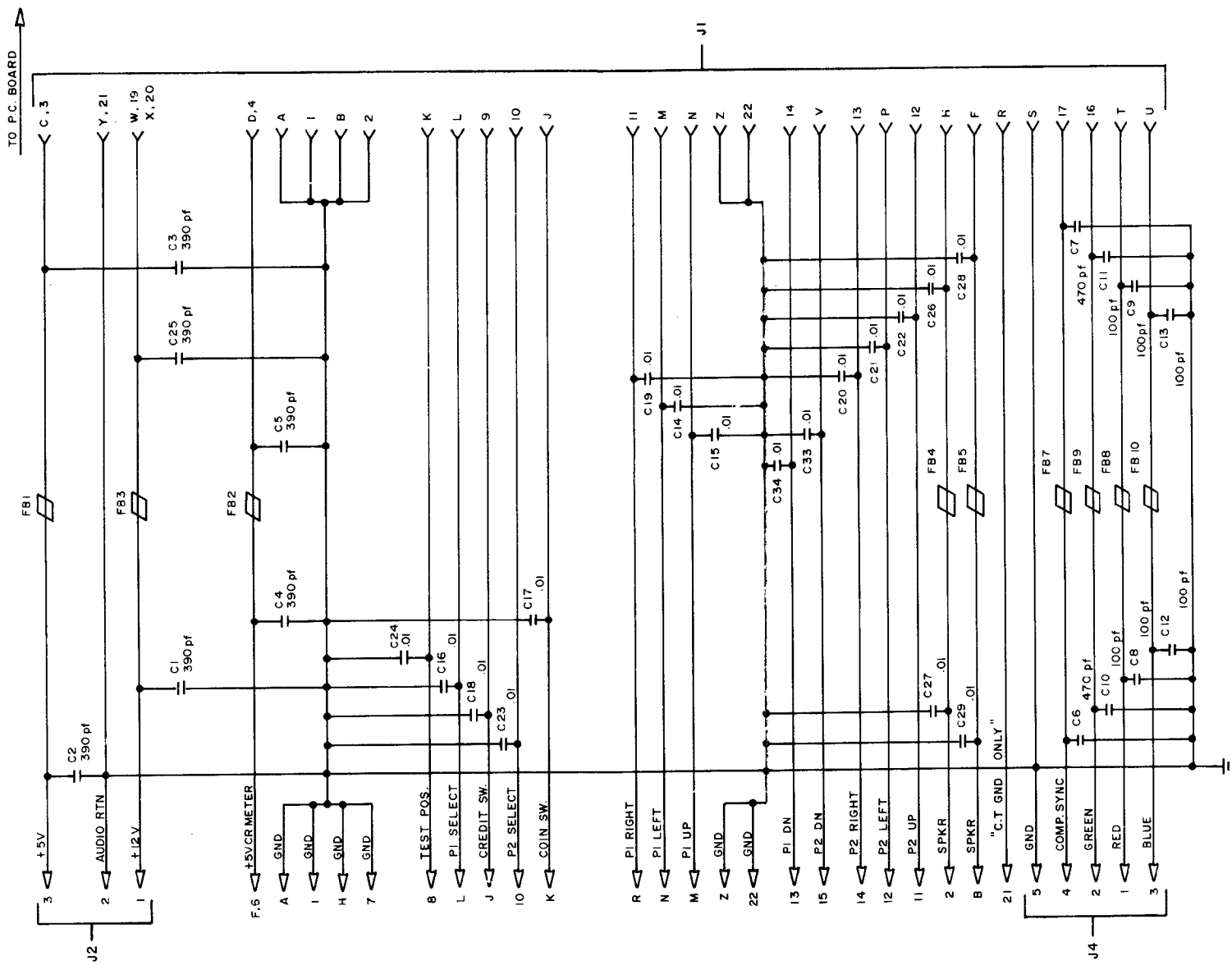
DESIGNATION LIST

CROSS REFERENCE LIST

DESIGNATION	DESCRIPTION	DESCRIPTION	QTY	DESIGNATION	PART NO.
C1 - C4	.01 μ f 25V AX.CER.	100 pf 50V AX.CER.	6	C23 - C28	0789 - 00800 - 1800
C5 - C8	390 pf 50V " "	390 pf 50V " "	8	C5 - C8, C31 - C34	0316 - 00800 - 0002
C9 - C22	.01 μ f 25V " "	470 pf 50V " "	2	C29, C30	0932 - 00813 - 0100
C23 - C28	100 pf 50V " "	.01 μ f 25V " "	18	C1 - C4, C9 - C22,	0A29 - 00800 - 0003
C29, C30	470 pf 50V " "	FERRITE BEAD W/LEAD	10	FB1 - FB10	0316 - 00804 - 0002
C31 - C34	390 pf 50V " "	22 PIN EDGE CONN.	1	PI	0017 - 00021 - 0418
FB1 - FB10	FERRITE BEAD W/LEAD	P.C. EDGE CONN KEY	2	"	0017 - 00021 - 0396
PI	22 PIN EDGE CONN.	8 - 32 X 5 SLT PAN	1	STRAP MTG HDRW	0017 - 00101 - 0595
"	P.C. EDGE CONN KEY	8 - 32 HEX NUT	1	" " "	0017 - 00103 - 0008
STRAP MTG HDRW	8 - 32 X 5 SLT PAN	6 - 32 X 10 PHL PAN	2	MTG HDRW PI	0017 - 00101 - 0763
" " "	8 - 32 HEX NUT	6 145 - .250 - 032	2	" " "	0017 - 00104 - 0002
MTG HDRW PI	6 - 32 X 10 PHL PAN	SPLT WSHR	1	BRKT	0866 - 00118 - 00XF
" " "	6 145 - .250 - 032 SPLT WSHR	BRACKET	1		A080 - 91485 - D595
BRKT	BRACKET FOR CONN.	FCC FILTER BD	1		
A080 - 91485 - D595	FCC FILTER BD				

REVISIONS

PROJECT ENG. J. SZERSZEN		USED ON JR. PACMAN		Bally / MIDWAY MFG. CO.	
DO NOT SCALE DWG.		HEAT TREAT	SCALE FULL	FRANKLIN PK. ILL.	
DIM. TOLERANCES UNLESS SPECIFIED		MAT'L.	NO. REQ'D 1 PER	PART NO.	
CONCENTRICITY F.T.R. .001		FINISH	FCC FILTER BD, MS. PACMAN		M051 - 00595 - D016
FRACTIONAL 1/64		ASSY DWG.			
DECIMAL .005		A084 - 91485 - D595			
HOLE DIA. + .002 .000		DATE 12/12/83			



NOTE:
 ALL .01 CAPS ARE MF.
 ALL CAPS AX. CER. UNLESS
 NOTED OTHERWISE.
 FB = FERRITE BEAD

TO CABLE

TO P.C. BOARD

PROJECT ENG: J. SZERSZEN		USED ON: JR. PACMAN		REVISIONS	
DO NOT SCALE		HEAT TREAT	SCALE: FULL	NO. REQ'D: 1 PER	
DIM TOLERANCES UNLESS OTHERWISE SPECIFIED		MAT'L	SCHEMATIC DWG		
DRN: 128	CRD:	FINISH	JR. PACMAN INTERFACE FILTER PC		
DATE: 11/02/83			A084 - 91689 - AA29		
			PART NO: MO51 - 00A29 - A012		
			FRANKLIN, PA.		

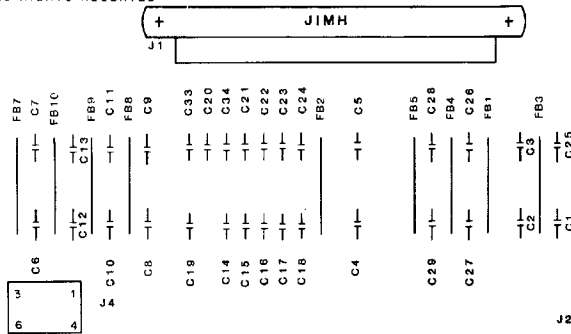
Betty / MIDWAY MFG. CO.

DESIGNATION LIST

DESIGNATION NO.	DESCRIPTION
C1-C5	390 PF 50V AX CER
C6,C7	470 PF 50V AX CER
C8-C13	100 PF 50V AX CER
C14-C24	.01 UF 50V AX CER
C25	390 PF 50V AX CER
C26-C29	.01 UF 50V AX CER
C33,C34	.01 UF 50V AX CER
FB1-FB5,FB7-FB10	FERRITE BEAD
J1	P.C. EDGE CONN.
J2	3 PIN HEADER
J4	6 PIN HEADER
J1 MH	(2) P.C. EDGE CONN. KEY (2) 6-32x10 SLOT PAN SCREW (2) WSH. 6 145-.250-.032 (1) BRKT-CONN FIN (1) INSULATED GND STRAP (1) 8-32x5 SLOT PAN SCREW (1) 8-32 NUT HEX
A080-91689-AA29	INTERFACE FILTER P.C. JR PAC-MAN

© 1983 BALLY MIDWAY MFG CO
ALL RIGHTS RESERVED

JR. PAC INTERFACE FILTER P.C.

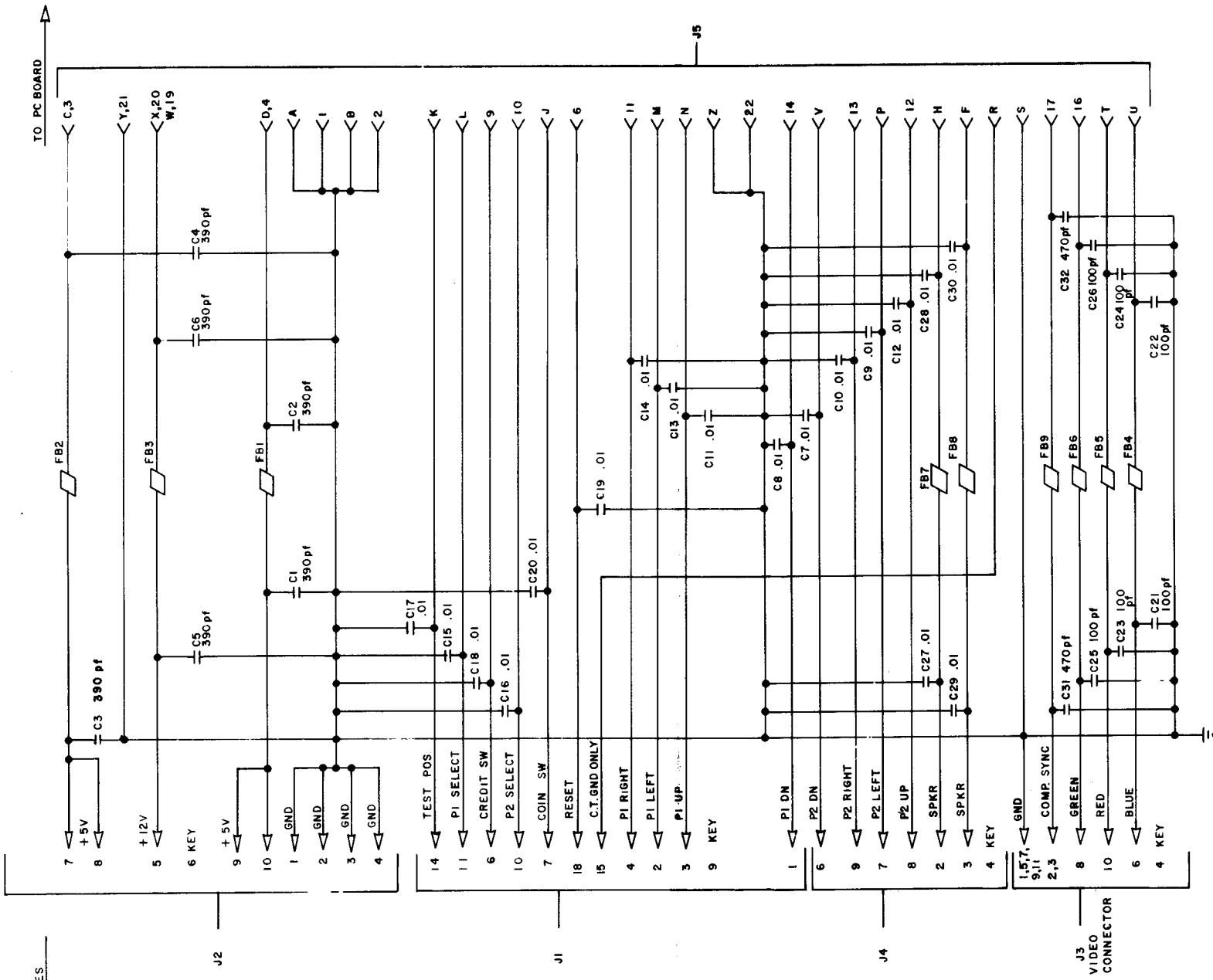


CROSS REFERENCE LIST

DESCRIPTION	QTY	DESIGNATION NO.	PART NOS.
100 PF 50V AX CER	6	C8-C13	0789-00800-1800
390 PF 50V AX CER	6	C1-C5,C25	0316-00800-0002
470 PF 50V AX CER	2	C6,C7	0550-00800-0200
.01 UF 50V AX CER	17	C14-C24,C26-C29,C33,C34	0A29-00800-0003
FERRITE BEAD	9	FB1-FB5,FB7-FB10	0316-00804-0002
P.C. EDGE CONN	1	J1	0017-00021-0418
3 PIN HEADER	1	J2	0017-00021-0443
6 PIN HEADER	1	J4	0017-00021-0424
P.C. EDGE CONN. KEY	2	J1 MH	0017-00021-0396
6-32x10 SLOT PAN SCREW	2	J1 MH	0017-00101-0763
WSH. 6 145-.250-.032	2	J1 MH	0017-00104-0002
BRKT-CONN FIN	1		0866-00118-00XF
INSULATED GND STRAP	1		3000-17143-0700
8-32x5 SLOT PAN SCREW	1		0017-00101-0595
8-32 NUT HEX	1		0017-00103-0008
INTERFACE FILTER P.C. JR. PAC-MAN			A080-91689-AA29

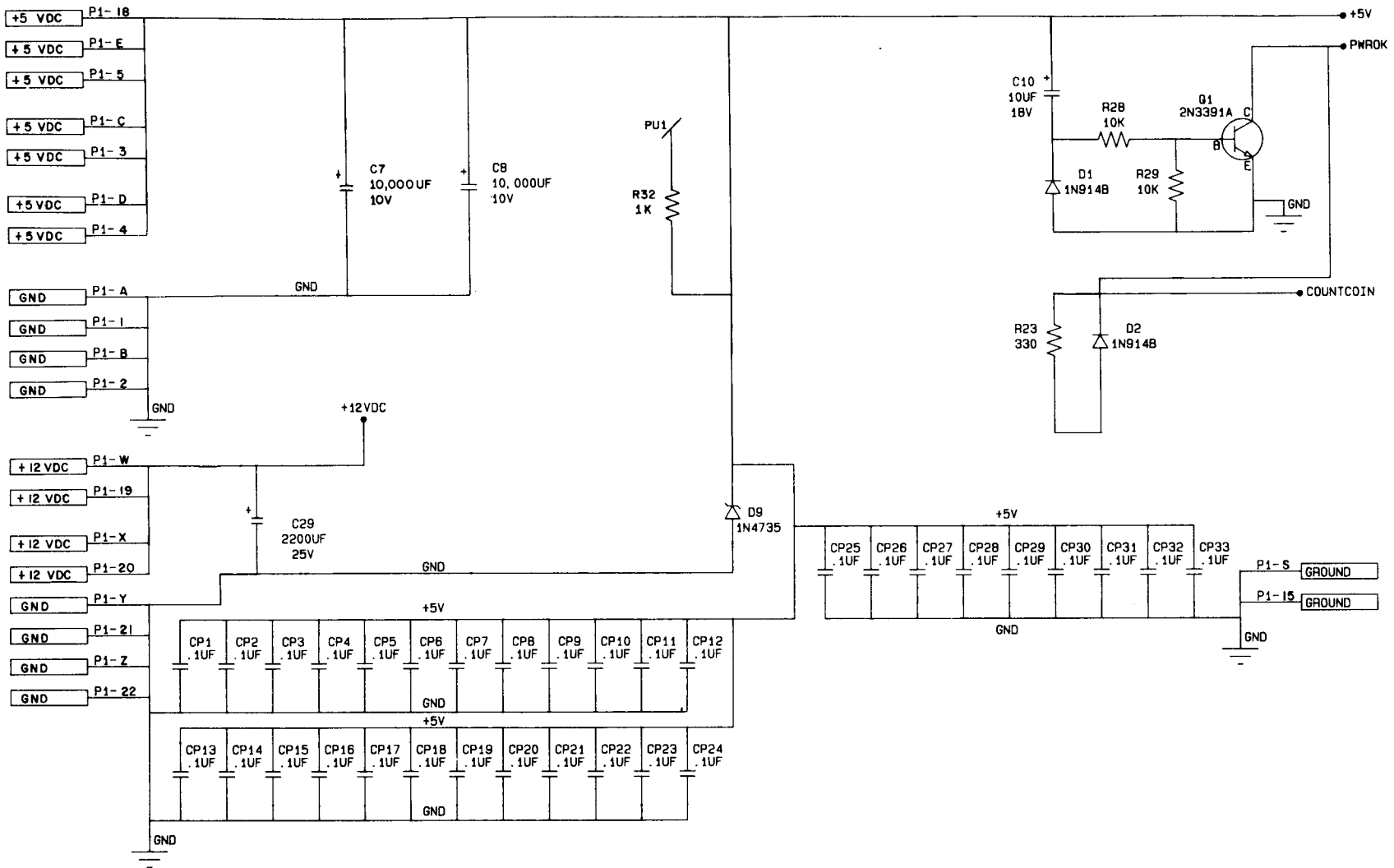
REVISIONS

PROJECT ENG: J. SZERSZEN		USED ON JR PACMAN		Bally / MIDWAY MFG. CO. FRANKLIN PK ILL	
DO NOT SCALE DWG		HEAT TREAT	SCALE FULL	NO. REQ'D 1 PER	
DIM TOLERANCE - UNLESS OTHERWISE SPECIFIED		MAT'L	JR PAC INTERFACE FILTER P.C.		PART NO.
DRN TBZ	CHKD	FINISH	ASSEMBLY DWG		M051 - 00A29 - A011
DATE 12/12/83		A080-91689-AA29			



NOTE:
 ALL .01 CAPS ARE MF.
 ALL CAPS AX.CER UNLESS
 NOTED OTHERWISE
 FB= FERRITE BEAD

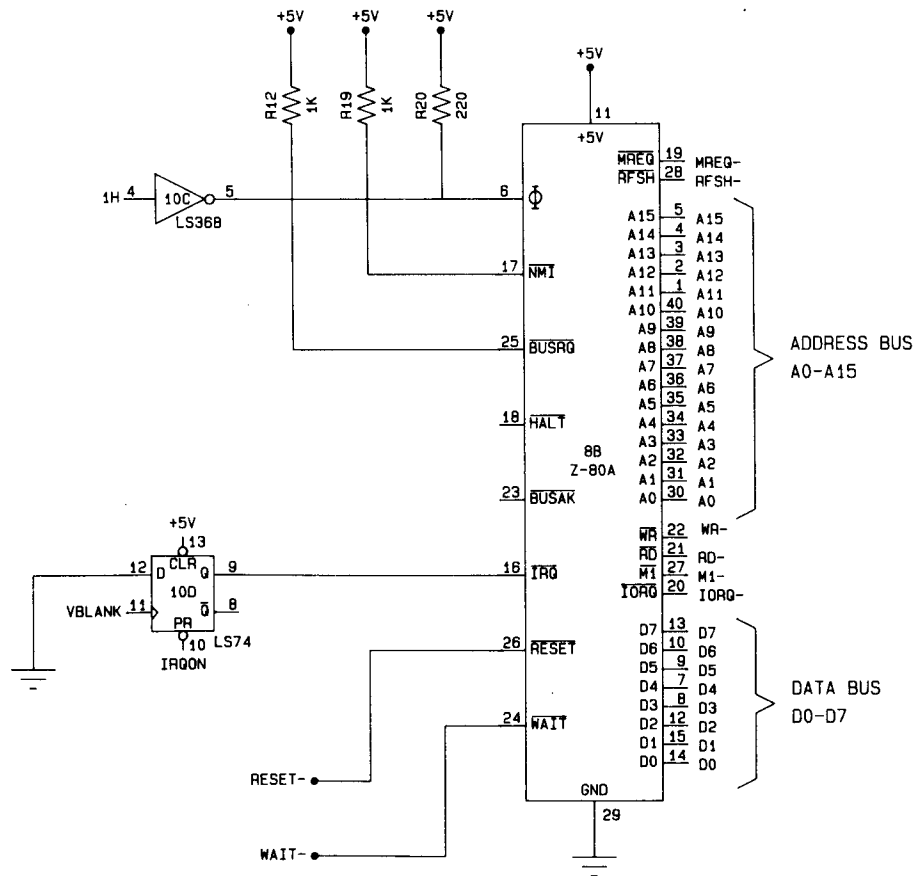
PROJECT ENG: J. SZERSZEN		USED ON JR. PACMAN	
DO NOT SCALE DWG		SCALE FULL	NO. RECD 1 PER
DIM TOLERANCES UNLESS SPECIFIED		JR. PACMAN (SP) INTERFACE FILTER SCHEMATIC DWG.	
DRW. BAK	DATE 12/14/83	A080-91698-CA29	
PART NO. M051-00A29 -CC18		REVISIONS	
MIDWAY MFG. CO.		FRANKLIN PK ILL	



THIS DWG IS CONFIDENTIAL & PROPERTY OF BALLY/MIDWAY MFG. CO.

SHEET 1 OF 22

DIM. TOLERANCES UNLESS OTHERWISE SPEC. CONCENTRICITY T.I.R. .002 FRACTIONAL ± 1/64 DECIMAL ± .005 HOLE DIA. +.002 - .000 ANGLE ± 1/2° DO NOT SCALE DWG.	FIRST USED ON: JR. PACMAN DRN: TBB	DATE: 12/08/83	SCALE: FULL	<i>Bally</i> / MIDWAY MFG. CO. FRANKLIN PARK, IL 60131 JR. PACMAN (CONVERSION) LOGIC P.C. A080-91688-CA29	POWER / GROUND
					REVISIONS
					PART NO: M-0-5-1-0-0-A-2-9-C-0-1-0



THIS DWG IS CONFIDENTIAL & PROPERTY OF BALLY/MIDWAY MFG CO

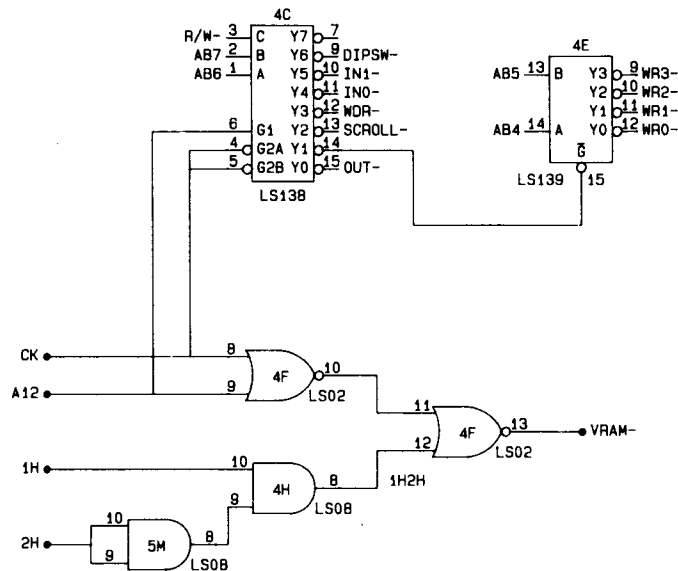
SHEET 2 OF 22

DIM. TOLERANCES UNLESS OTHERWISE SPEC. CONCENTRICITY T.I.R. .002 FRACTIONAL ± 1/64 DECIMAL ± .005 HOLE DIA +.002 - .000 ANGLE ± 1/2° DO NOT SCALE DWG.	FIRST USED ON JR. PACMAN		
	DRN 788	DATE 12/08/83	SCALE FULL
	MECH CHK	MATL	
	ELEC CHK	FINISH	

Bally/MIDWAY MFG. CO.
FRANKLIN PARK, IL 60131

JR. PACMAN (CONVERSION)
LOGIC P.C.
A080-91688-CA29

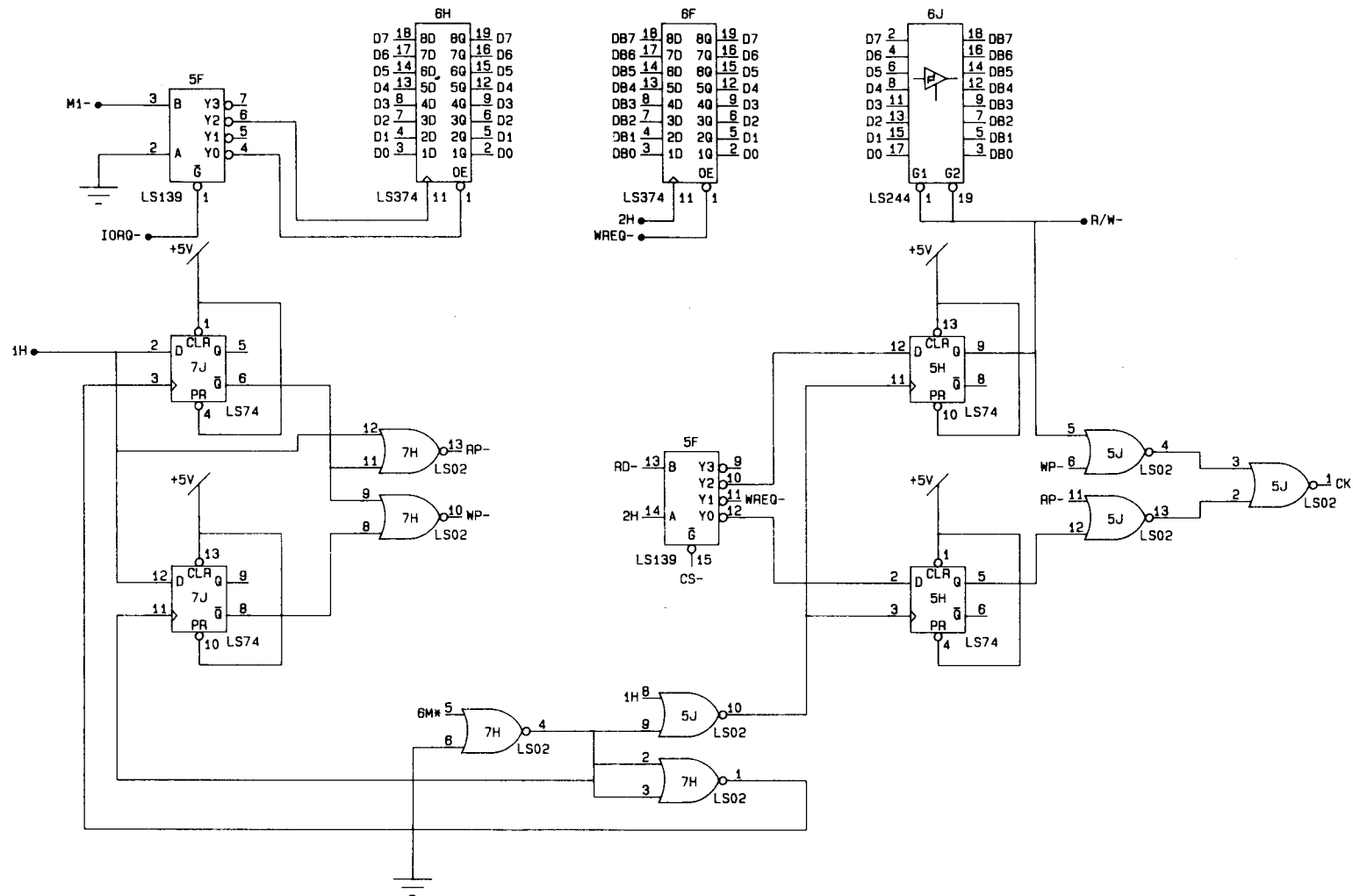
CPU	
REVISIONS	
PART NO	M-0-5-1-0-0-A-2-9-C-0-1-0



THIS DWG. IS CONFIDENTIAL & PROPERTY OF BALLY/MIDWAY MFG. CO.

SHEET 3 OF 22

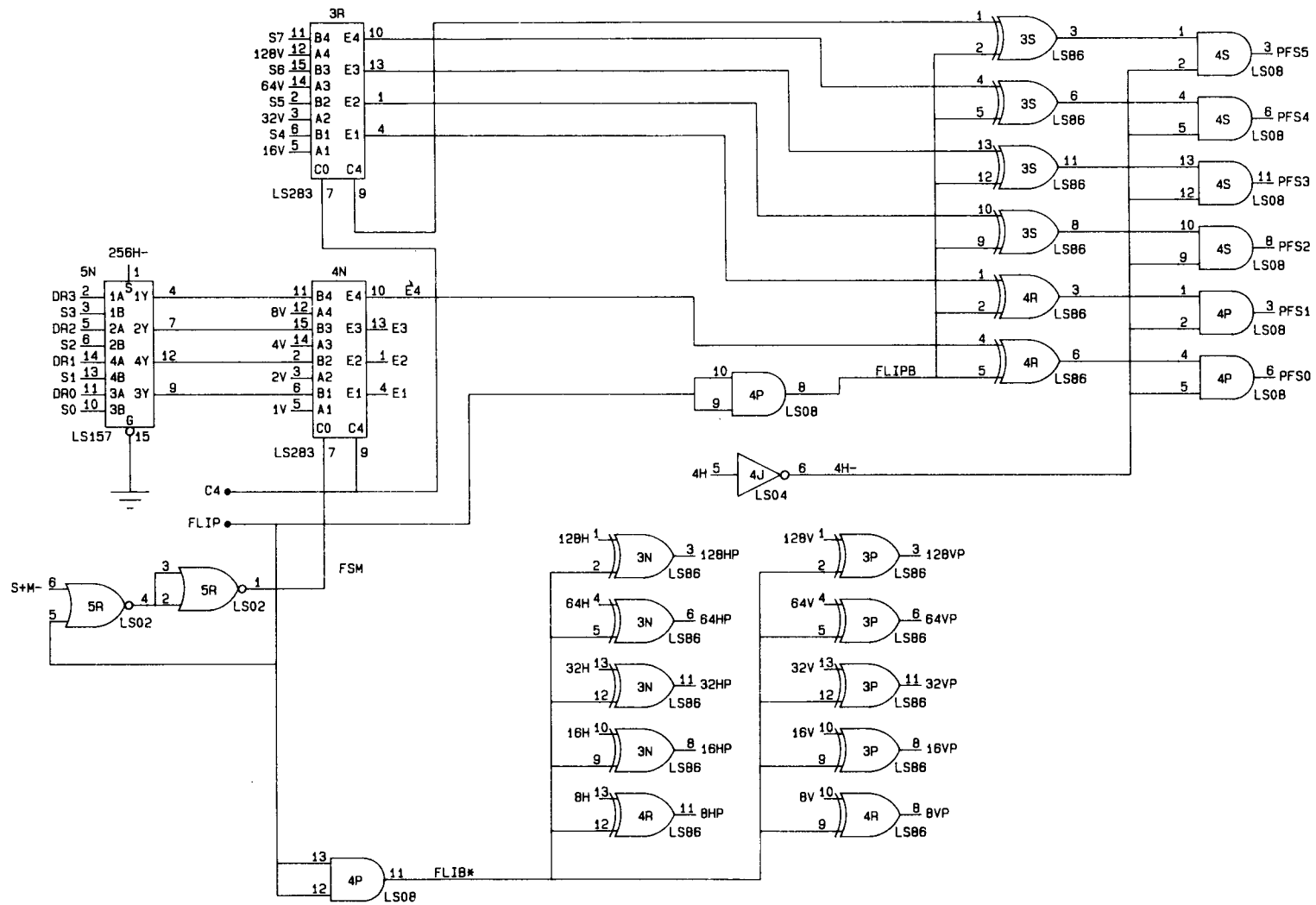
DIM. TOLERANCES UNLESS OTHERWISE SPEC. CONCENTRICITY T.I.R. .002 FRACTIONAL ± 1/64 DECIMAL ± .005 HOLE DIA. +.002- .000 ANGLE ± 1/2° DO NOT SCALE DWG.	FIRST USED ON JR. PACMAN DWN TBB DATE 12/08/83 SCALE FULL	<i>Bally</i> / MIDWAY MFG. CO. FRANKLIN PARK, IL 60131 JR. PACMAN (CONVERSION) LOGIC P.C. A080-91688-CA29	ADDRESS DECODE
	MECH. CHK _____ MAT. _____ ELEC. CHK _____ FINISH _____		REVISIONS
	PART NO. M-0-5-1-0-0-A-2-9-C-0-1-0		



THIS DWG IS CONFIDENTIAL - PROPERTY OF BALLY/MIDWAY MFG CO.

SHEET 4 OF 22

DIM. TOLERANCES UNLESS OTHERWISE SPEC CONCENTRICITY T.I.R. .002 FRACTIONAL ± 1/64 DECIMAL ± .005 HOLE DIA. +.002 - .000 ANGLE ± 1/2° DO NOT SCALE DWG.	FIRST USED ON JR. PACMAN	DATE 12/08/83	SCALE FULL	<i>Bally</i> / MIDWAY MFG. CO. FRANKLIN PARK, IL 60131	SYNC BUS CONTROLLER
	MECH. CHK TBB	MAT'L	ELEC. CHK		REVISIONS
	FINISH	JR. PACMAN (CONVERSION)	PART NO M.O.5.1-0.0.A.2.9-C.0.1.0		
	LOGIC P.C. A080-91688-CA29				



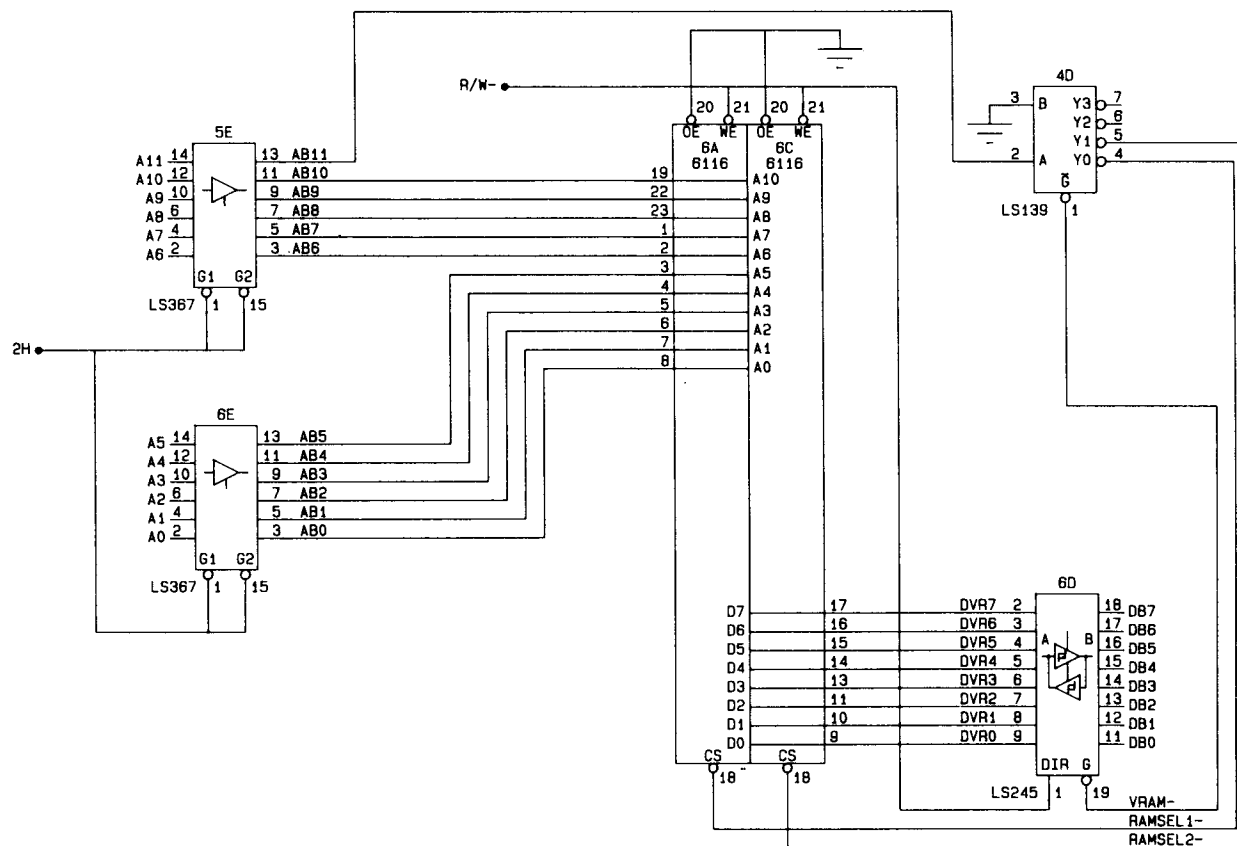
THIS DWG IS CONFIDENTIAL & PROPERTY OF BALLY/MIDWAY MFG CO

SHEET 5 OF 22

DIM. TOLERANCES UNLESS OTHERWISE SPEC CONCENTRICITY T I R .002 FRACTIONAL ± 1/64 DECIMAL ± .005 HOLE DIA +.002-.000 ANGLE ± 1/2° DO NOT SCALE DWG.	FIRST USED ON JR. PACMAN	SCALE FULL
	DRN TEB	DATE 12/08/83
	MECH CKR	MAT'L
	ELEC CKR	FINISH

Bally/MIDWAY MFG. CO.
 FRANKLIN PARK, IL 60131
JR. PACMAN (CONVERSION)
 LOGIC P.C.
 A080-91688-CA29

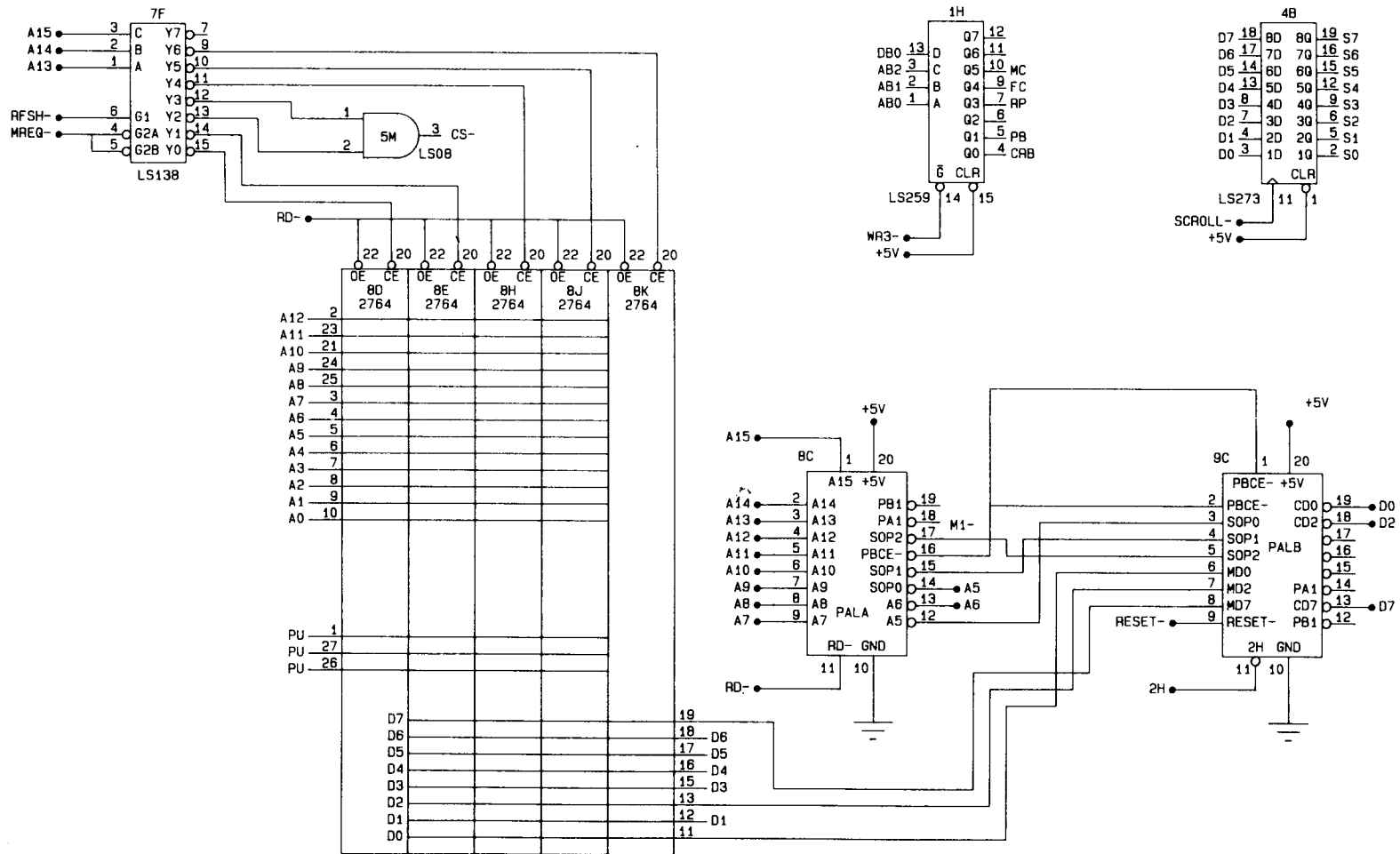
SCROLLING / VIDEO
REVISIONS
PART NO M0.5.1-0.0.A.2.9-C.0.1.0



THIS DWG IS CONFIDENTIAL & PROPERTY OF BALLY/MIDWAY MFG CO

SHEET 6 OF 22

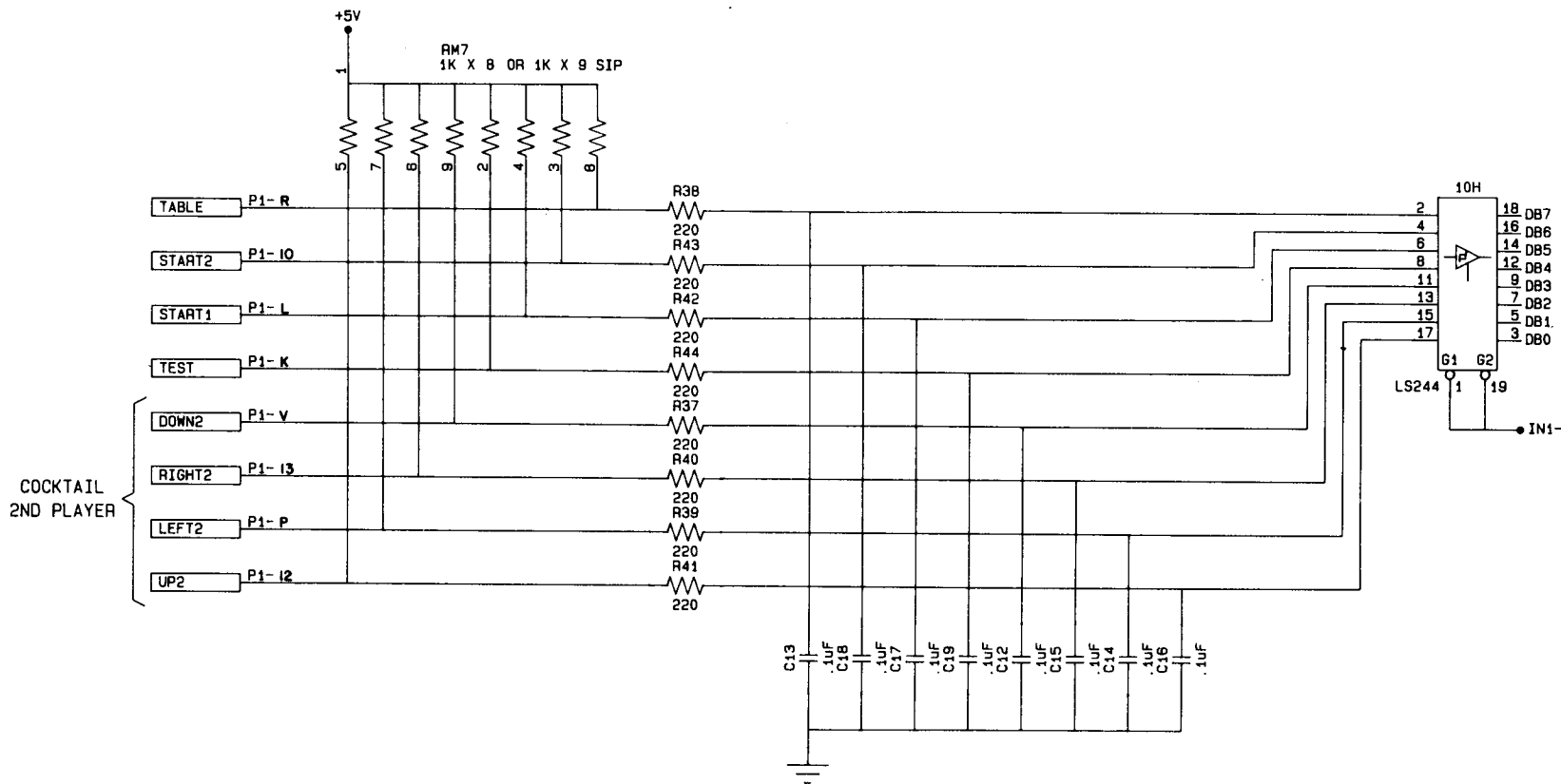
DIM. TOLERANCES UNLESS OTHERWISE SPEC. CONCENTRICITY T.I.R. .002 FRACTIONAL ± 1/64 DECIMAL ± .005 HOLE DIA. +.002-.000 ANGLE ± 1/2° DO NOT SCALE DWG.	FIRST USED ON	JR. PACMAN		SCALE	FULL	<i>Bally</i> /MIDWAY MFG. CO. FRANKLIN PARK, IL 60131	RAM
	DRN	TBB	DATE				12/08/83
	MECH CHK		MAT'L		PART NO		M-0-5-1-0-0-A-2-9-C-0-1-0
	ELEC CHK		FINISH				
JR. PACMAN (CONVERSION) LOGIC P.C. A080-91688-CA29							



THIS DWG IS CONFIDENTIAL & PROPERTY OF BALLY/MIDWAY MFG CO

SHEET 7 OF 22

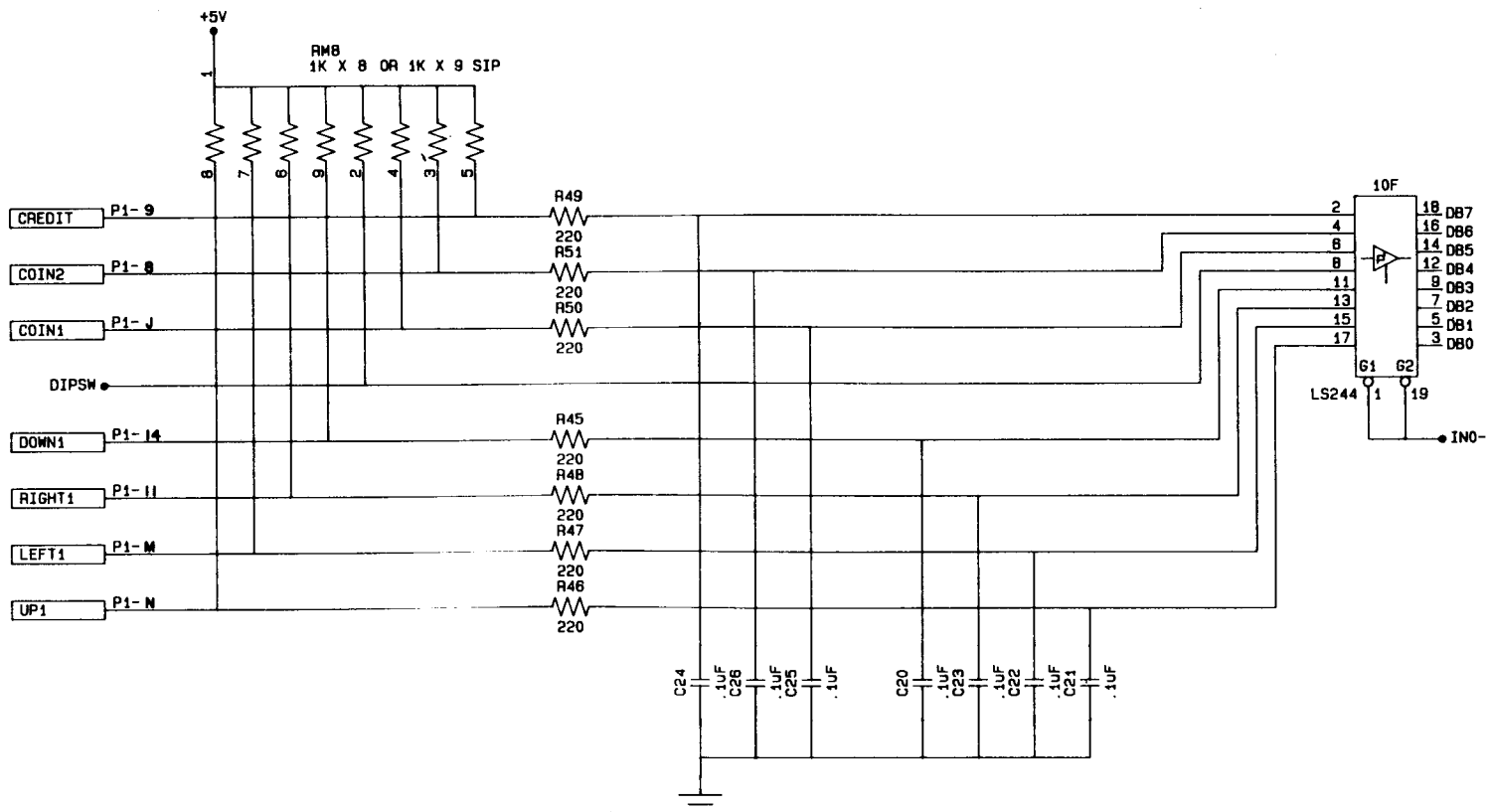
DIM. TOLERANCES UNLESS OTHERWISE SPEC. CONCENTRICITY T I R .002 FRACTIONAL ± 1/64 DECIMAL ± .005 HOLE DIA + .002 - .000 ANGLE ± 1/2° DO NOT SCALE DWG.	FIRST USED ON JR. PACMAN	SCALE FULL	Bally/MIDWAY MFG. CO. FRANKLIN PARK, IL 60131	ROM
	DRN TBB DATE 12/08/83			JR. PACMAN (CONVERSION) LOGIC P.C. A080-91688-CA29
MECH. CHK _____ MAT. _____ ELEC. CHK _____ FINISH _____				



THIS DWG IS CONFIDENTIAL & PROPERTY OF BALLY/MIDWAY MFG CO

SHEET 8 OF 22

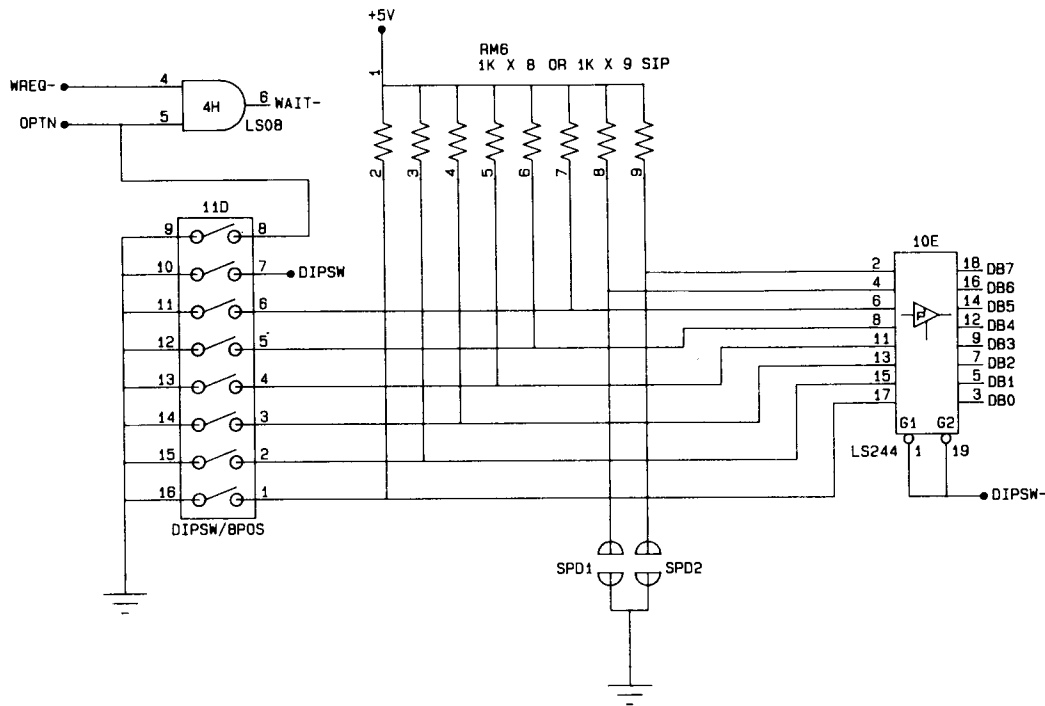
DIM. TOLERANCES UNLESS OTHERWISE SPEC CONCENTRICITY T.I.R. .002 FRACTIONAL ± 1/64 DECIMAL ± .005 HOLE DIA. + .002 - .000 ANGLE ± 1/2° DO NOT SCALE DWG.	FIRST USED ON JR. PACMAN	DRN TBB	DATE 12/08/83	SCALE FULL	<i>Bally</i> / MIDWAY MFG. CO. FRANKLIN PARK, IL 60131	DIGITAL IN1
	MECH CHK ELEC CHK	MAT'L FINISH	JR. PACMAN (CONVERSION) LOGIC P.C. A080-91688-CA29	REVISIONS PART NO M-0-5-1-0-0-A-2-9-C-0-1-0		



THIS DWG IS CONFIDENTIAL & PROPERTY OF BALLY/MIDWAY MFG CO

SHEET 9 OF 22

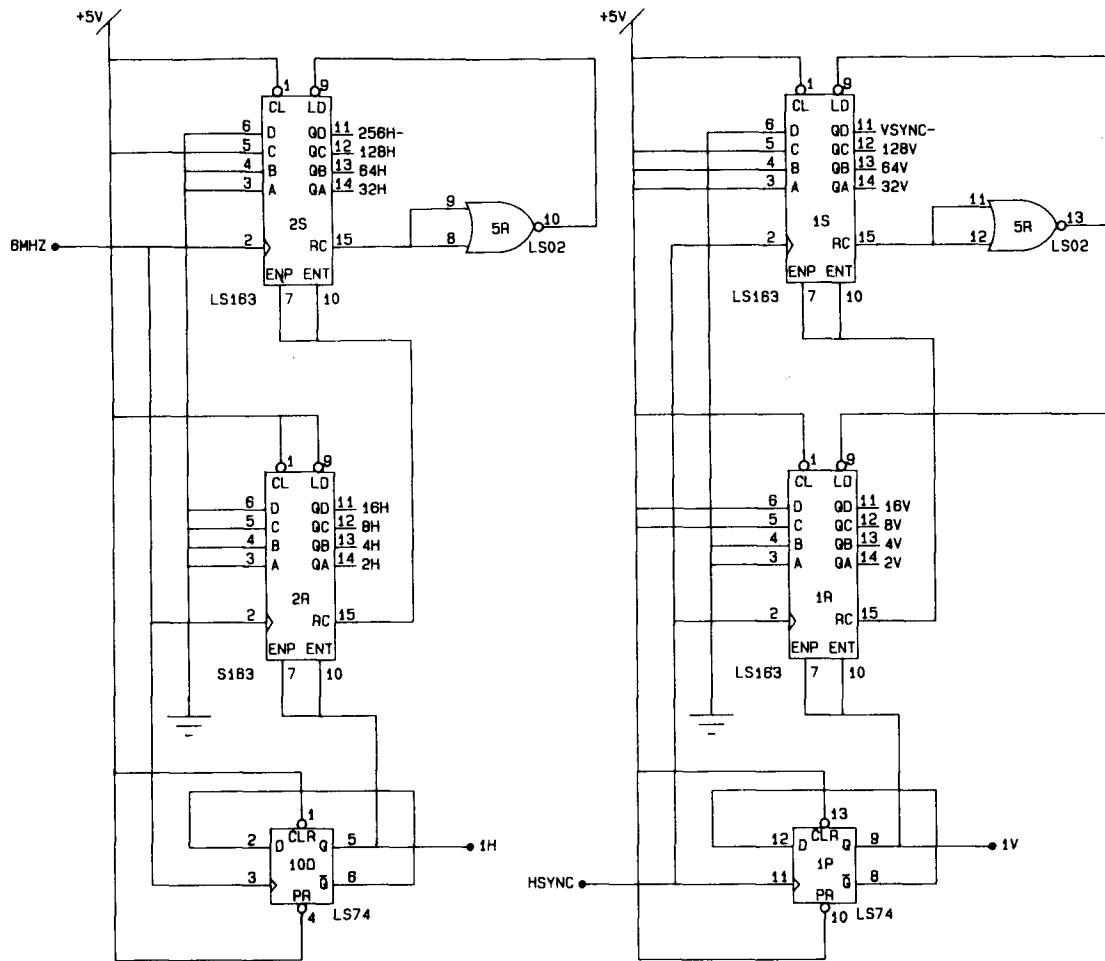
DIM. TOLERANCES UNLESS OTHERWISE SPEC. CONCENTRICITY T.I.R. .002 FRACTIONAL ± 1/64 DECIMAL ± .005 HOLE DIA. + .002 - .000 ANGLE ± 1/2° DO NOT SCALE DWG.	FIRST USED ON JR. PACMAN	DATE 12/08/83 SCALE FULL		Bally/MIDWAY mfg. co. FRANKLIN PARK, IL 60131 JR. PACMAN (CONVERSION) LOGIC P.C. A080-91688-CA29	DIGITAL IN2	
	MECH CHK TBB	MAT L	REVISIONS		PART NO M0-5-1-0-0-A-2-9-C-0-1-0	
	ELEC CHK	FINISH				



THIS DWG IS CONFIDENTIAL & PROPERTY OF BALLY/MIDWAY MFG CO

SHEET 10 OF 22

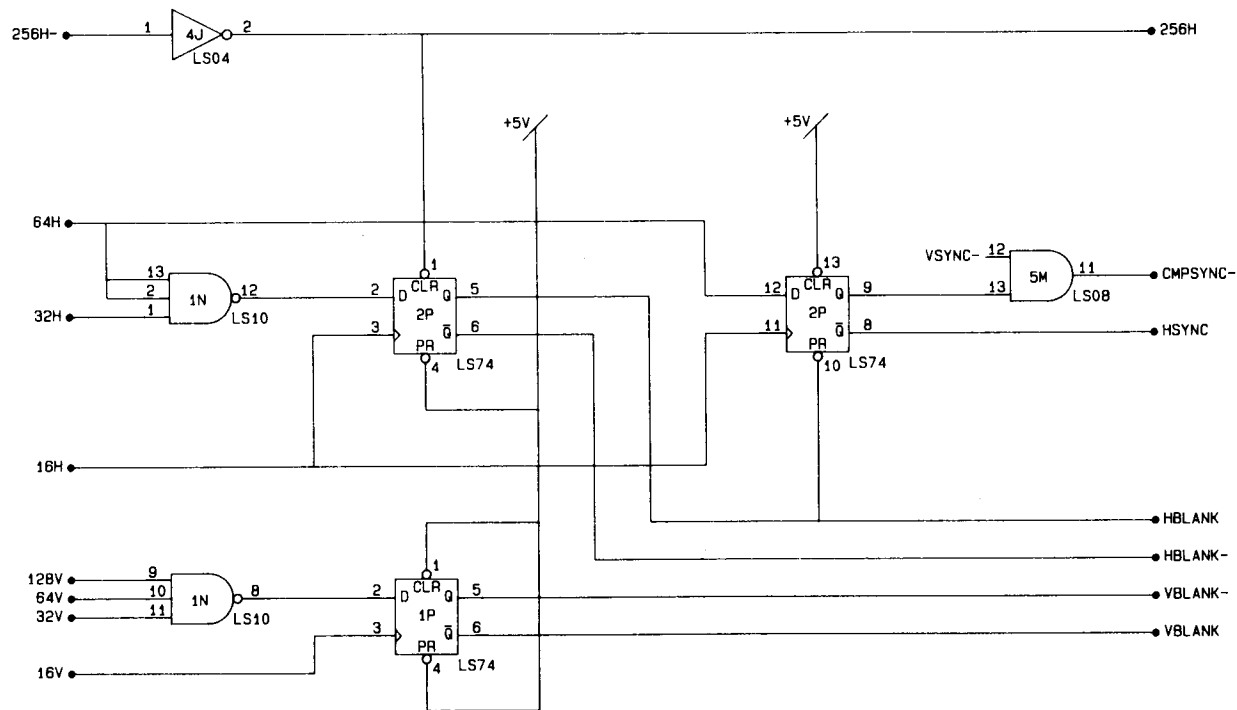
DIM. TOLERANCES UNLESS OTHERWISE SPEC. CONCENTRICITY T.I.R. .002 FRACTIONAL ± 1/64 DECIMAL ± .005 HOLE DIA. +.002 - .000 ANGLE ± 1/2° DO NOT SCALE DWG.	FIRST USED ON JR. PACMAN	<i>Bally/MIDWAY</i> MFG. CO. FRANKLIN PARK, IL 60131	DIPSWITCH	
	DRN TBB DATE 12/08/83 SCALE FULL		REVISIONS	
	MECH CHK _____ MAT'L _____	JR. PACMAN (CONVERSION) LOGIC P.C. A080-91688-CA29		PART NO M-0-5-1-0-0-A-2-9-C-0-1-0
	ELEC CHK _____ FINISH _____			



THIS DWG IS CONFIDENTIAL & PROPERTY OF BALLY/MIDWAY MFG CO

SHEET 12 OF 22

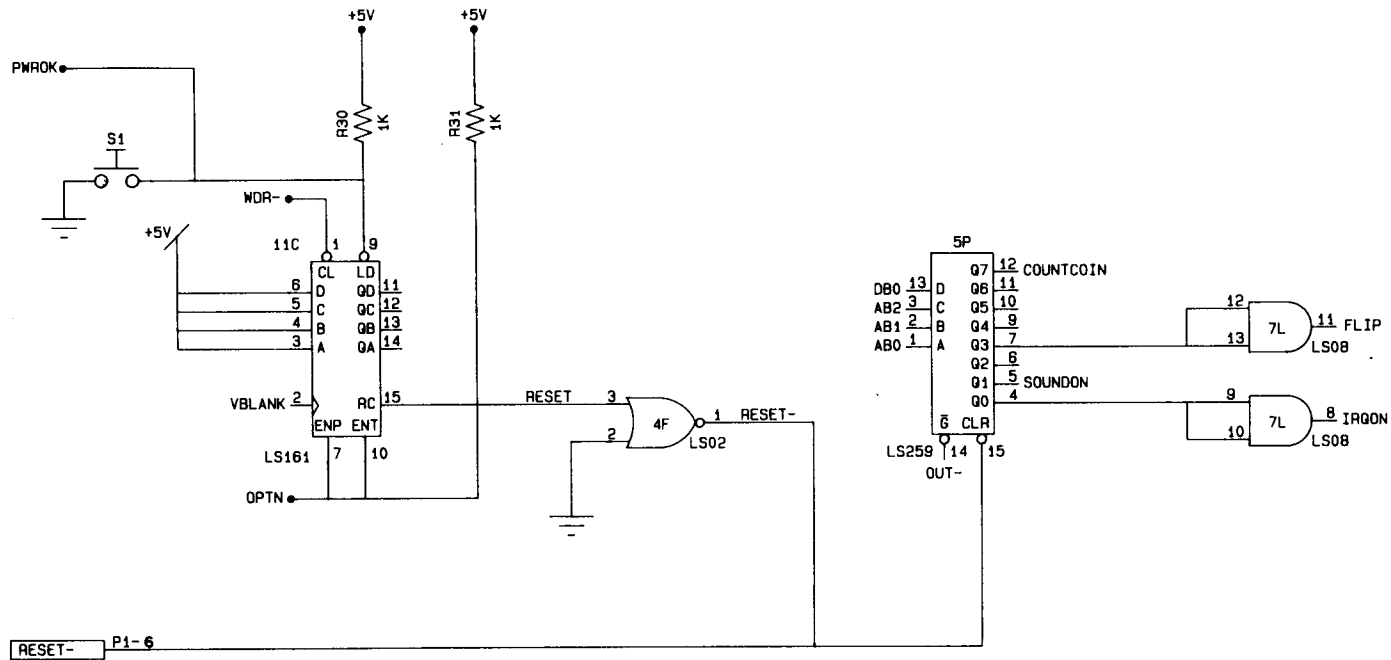
DIM. TOLERANCES UNLESS OTHERWISE SPEC. CONCENTRICITY T.I.R. .002 FRACTIONAL ± 1/64 DECIMAL ± .005 HOLE DIA. +.002-.000 ANGLE ± 1/2° DO NOT SCALE DWG.	FIRST USED ON: JR. PACMAN	DATE: 12/08/83	SCALE: FULL	Bally/MIDWAY MFG. CO. FRANKLIN PARK, IL 60131	SYNC GENERATOR
	DRN: TBB				REVISIONS
	MECH. CHK:	MAT:	JR. PACMAN (CONVERSION) LOGIC P.C. A080-91688-CA29		PART NO: M.O.5-1-0-0-A-2-9-C-0-1-0
	ELEC. CHK:	FINISH:			



THIS DWG IS CONFIDENTIAL & PROPERTY OF BALLY/MIDWAY MFG CO

SHEET 13 OF 22

DIM. TOLERANCES UNLESS OTHERWISE SPEC. CONCENTRICITY T.I.R. .002 FRACTIONAL ± 1/64 DECIMAL ± .005 HOLE DIA. +.002 - .000 ANGLE ± 1/2° DO NOT SCALE DWG.	FIRST USED ON JR. PACMAN	DATE 12/08/83	SCALE FULL	<i>Bally</i> / MIDWAY MFG. CO. FRANKLIN PARK, IL 60131	BLANK GENERATOR
	DRN TBB	MECH CHK	MAT L		ELEC CHK
JR. PACMAN (CONVERSION) LOGIC P.C. A080-91688-CA29				PART NO M-0-5-1-0-0-A-2-9-C-0-1-0	



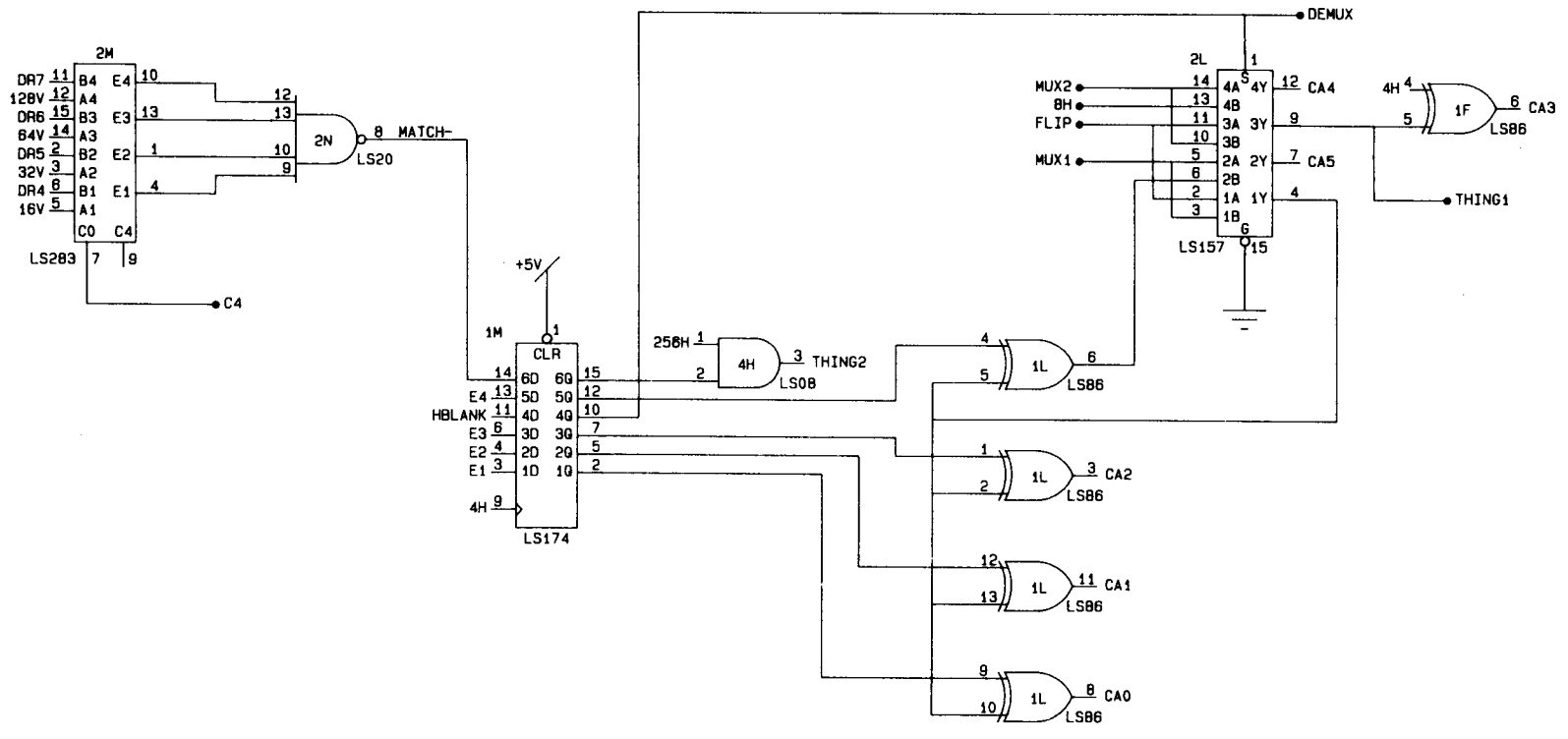
THIS DWG. IS CONFIDENTIAL & PROPERTY OF BALLY/MIDWAY MFG. CO.

SHEET 14 OF 22

DIM. TOLERANCES UNLESS OTHERWISE SPEC. CONCENTRICITY T.I.R. .002 FRACTIONAL ± .164 DECIMAL ± .005 HOLE DIA. +.002-.000 ANGLE ± 1/2° DO NOT SCALE DWG.	FIRST USED ON	JR. PACMAN	
	DRN	DATE	SCALE
	700	12/08/83	FULL
	MECH. CHK	MAT'L	
	ELEC. CHK	FINISH	

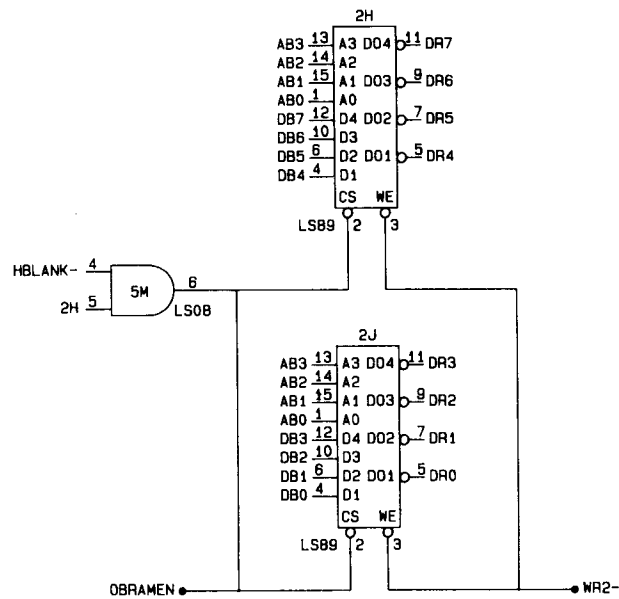
Bally / **MIDWAY MFG. CO.**
 FRANKLIN PARK, IL 60131
JR. PACMAN (CONVERSION)
 LOGIC P.C.
 A080-91688-CA29

RESET IRQ
REVISIONS
PART NO M-0-5-1-0-0-A-2-9-C-0-1-0



THIS DWG. IS CONFIDENTIAL & PROPERTY OF BALLY/MIDWAY MFG. CO.

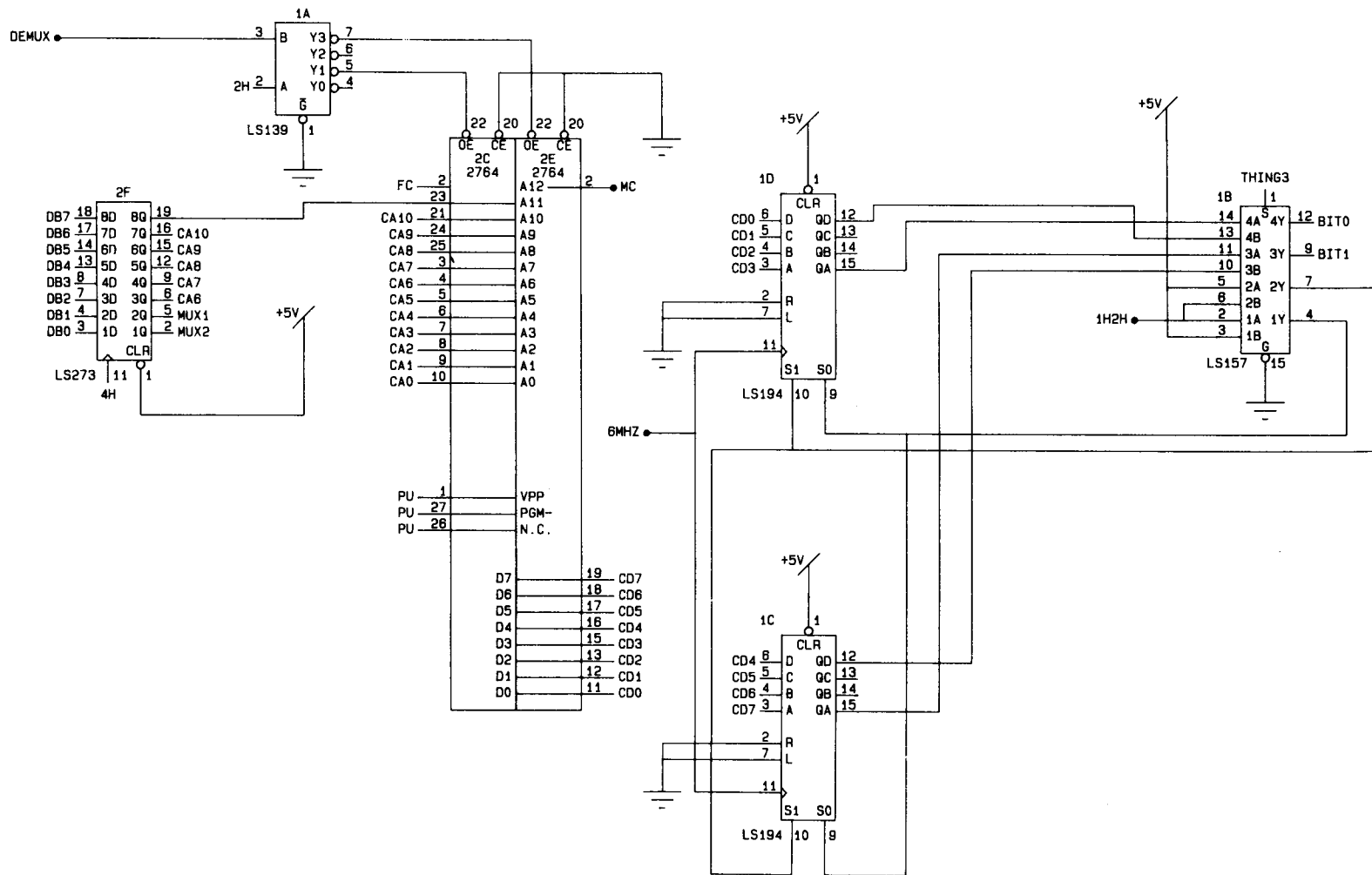
DIM. TOLERANCES UNLESS OTHERWISE SPEC. CONCENTRICITY T.I.R. .002 FRACTIONAL ± 1/64 DECIMAL ± .005 HOLE DIA. +.002-.000 ANGLE ± 1/2° DO NOT SCALE DWG.	FIRST USED ON JR. PACMAN		Bally/MIDWAY MFG. CO. FRANKLIN PARK, IL 60131	SHEET 15 OF 22
	DRN TBB	DATE 12/08/83		SCALE FULL
	MECH. CHK.	MAT.	JR. PACMAN (CONVERSION) LOGIC P.C. A080-91688-CA29	REVISIONS
	ELEC. CHK.	FINISH	PART NO M-0-5-1-0-0-A-2-9-C-0-1-0	



THIS DWG. IS CONFIDENTIAL & PROPERTY OF BALLY/MIDWAY MFG. CO.

SHEET 16 OF 22

DIM. TOLERANCES UNLESS OTHERWISE SPEC. CONCENTRICITY T.I.R. .002 FRACTIONAL ± .164 DECIMAL ± .005 HOLE DIA. +.002-.000 ANGLE ± 1/2° DO NOT SCALE DWG.	FIRST USED ON JR. PACMAN	DATE 12/08/83 SCALE FULL	Bally/MIDWAY MFG. CO. FRANKLIN PARK, IL 60131	OBJECT RAM		
	DRN TBB			REVISIONS		
	MECH. CHK. _____ MAT'L _____	JR. PACMAN (CONVERSION)		PART NO. M.O.5.1-0.0.A.2.9-C.0.1.0		
	ELEC. CHK. _____ FINISH _____	LOGIC P.C. A080-91688-CA29				



THIS DWG IS CONFIDENTIAL & PROPERTY OF BALLY/MIDWAY MFG CO

SHEET 17 OF 22

DIM. TOLERANCES UNLESS OTHERWISE SPEC. CONCENTRICITY T.I.R. 002 FRACTIONAL ± 1/64 DECIMAL ± .005 HOLE DIA + .002 - .000 ANGLE ± 1/2° DO NOT SCALE DWG.	FIRST USED ON	JR. PACMAN	
	DRN	TBB	DATE
	MECH CHK		SCALE
	ELEC CHK		FULL

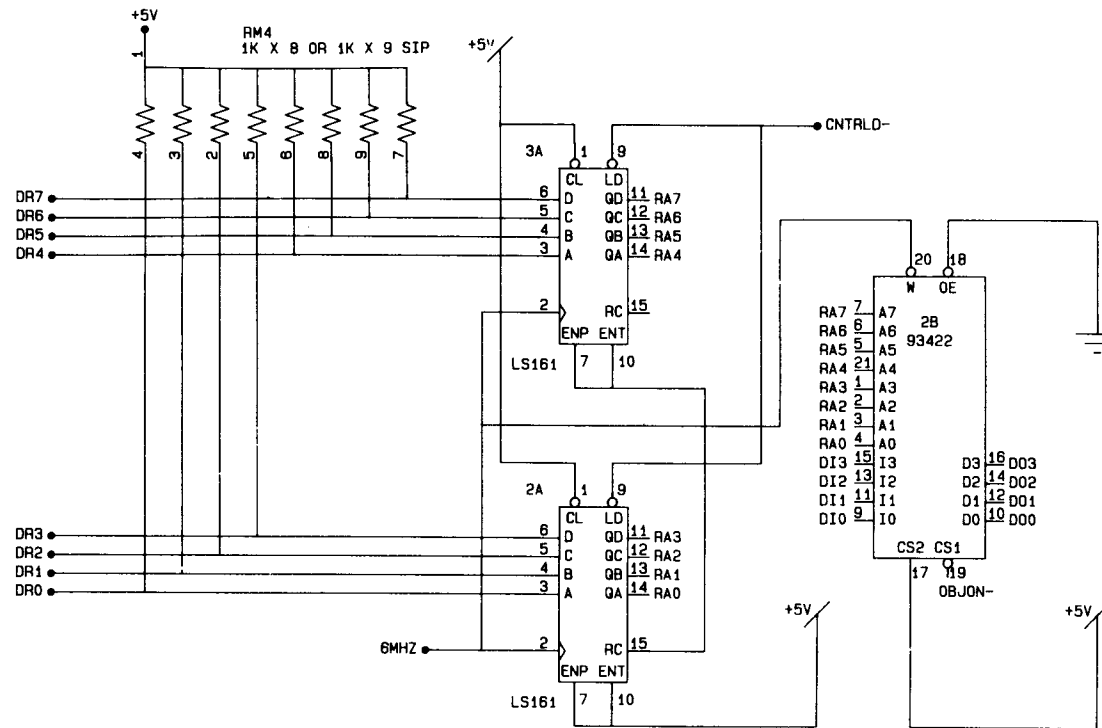
Bally/MIDWAY MFG. CO.
FRANKLIN PARK, IL 60131

JR. PACMAN (CONVERSION)
LOGIC P.C.
A080-91688-CA29

OBJECT ROM

REVISIONS

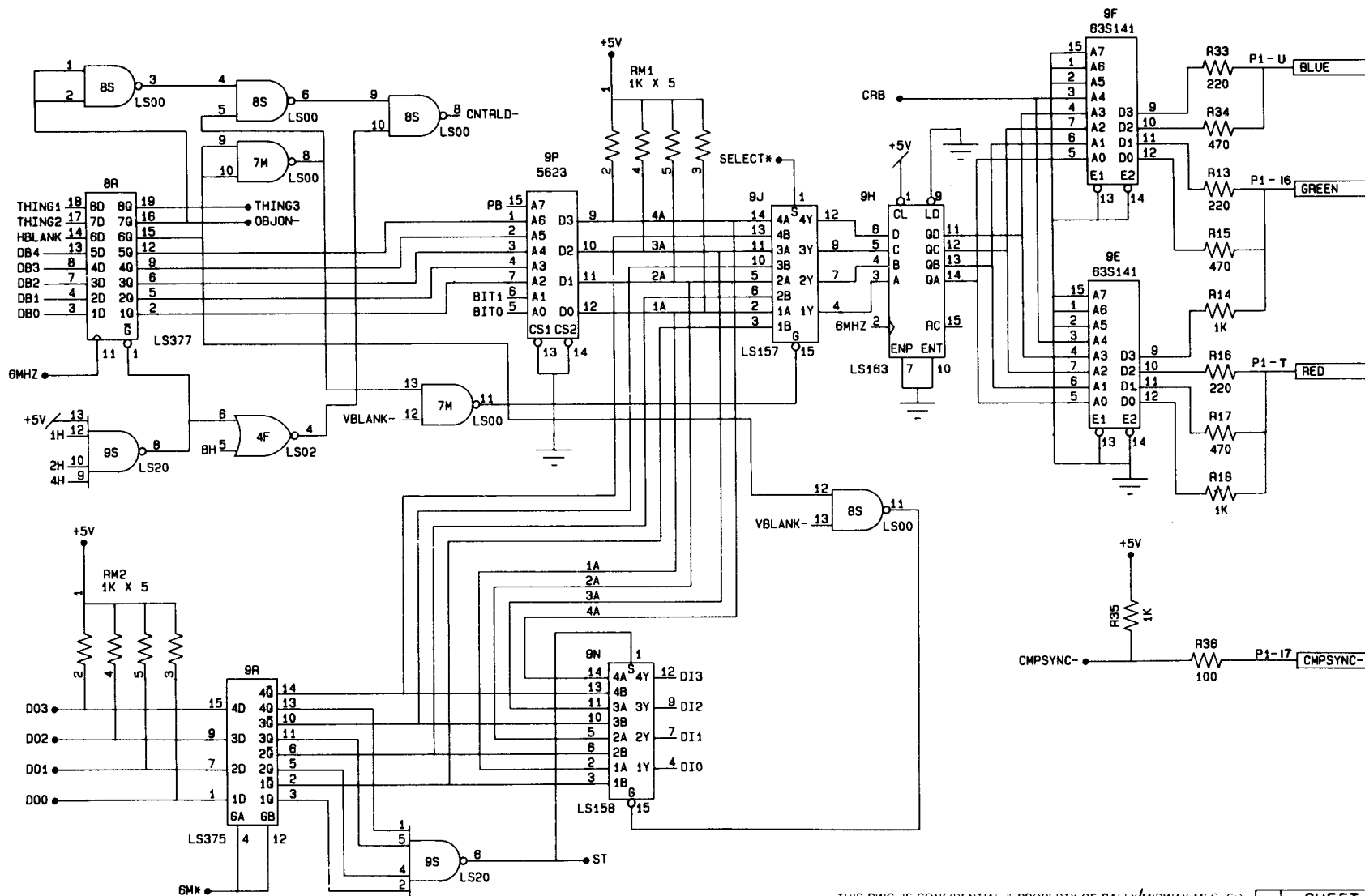
PART NO
M-0-5-1-0-0-A-2-9-C-0-1-0



THIS DWG IS CONFIDENTIAL & PROPERTY OF BALLY/MIDWAY MFG CO

SHEET 18 OF 22

DIM. TOLERANCES UNLESS OTHERWISE SPEC CONCENTRICITY T.I.R. .002 FRACTIONAL ± 1/64 DECIMAL ± .005 HOLE DIA. +.002 - .000 ANGLE ± 1/2° DO NOT SCALE DWG.	FIRST USED ON JR. PACMAN			<i>Bally</i> / MIDWAY MFG. CO. FRANKLIN PARK, IL 60131	LINE RAM		
	DRN 788	DATE 12/08/83	SCALE FULL		REVISIONS		
	MECH CHK	MAT'L	JR. PACMAN (CONVERSION) LOGIC P.C. A080-91688-CA29				
	ELEC CHK	FINISH	PART NO M-0-5-1-0-0-A-2-9-C-0-1-0				



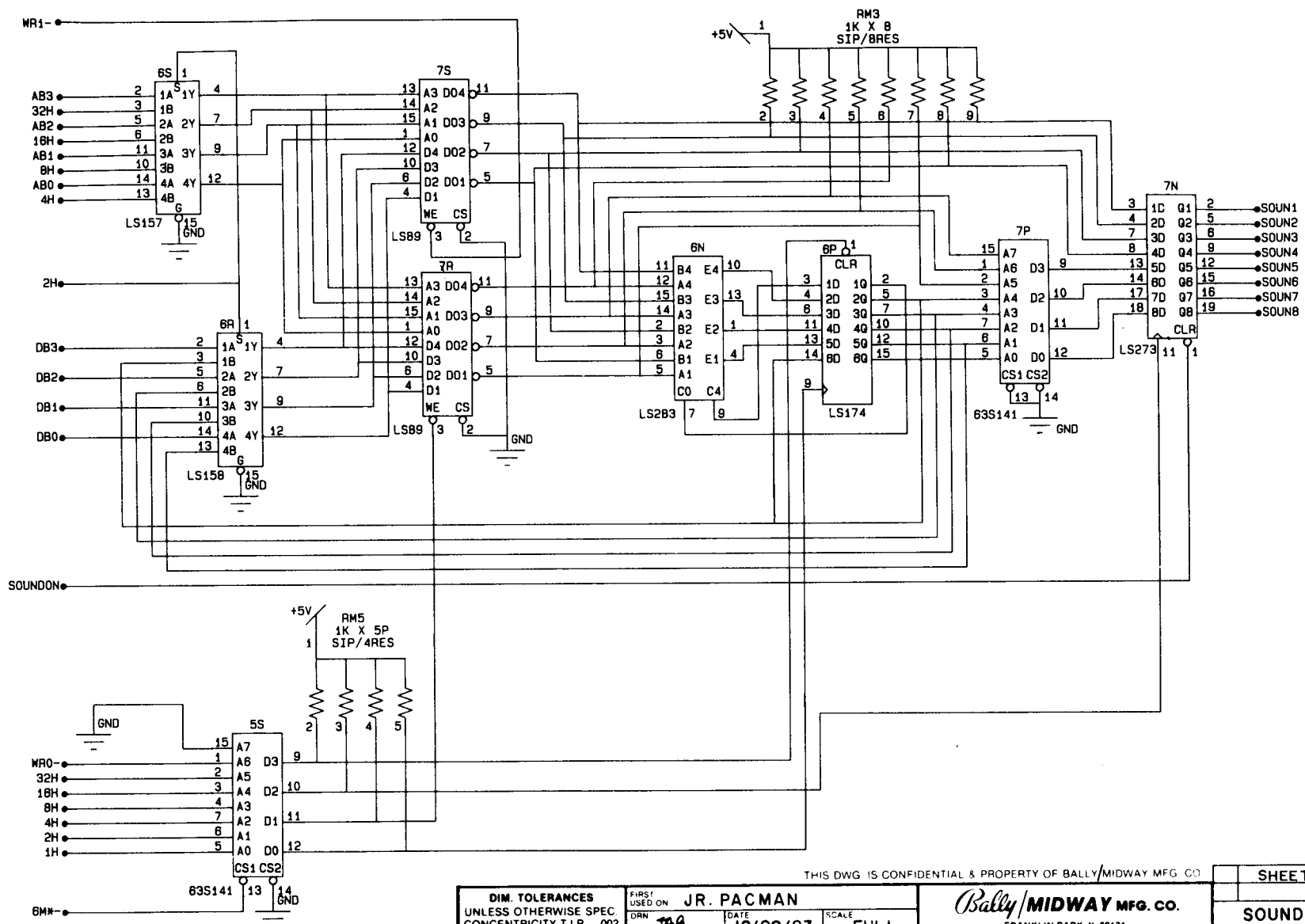
THIS DWG. IS CONFIDENTIAL & PROPERTY OF BALLY/MIDWAY MFG. CO.

SHEET 19 OF 22

DIM. TOLERANCES UNLESS OTHERWISE SPEC. CONCENTRICITY T.I.R. .002 FRACTIONAL ± .154 DECIMAL ± .005 HOLE DIA. +.002 - .000 ANGLE ± 1/2° DO NOT SCALE DWG.	FIRST USED ON	JR. PACMAN	
	DRN	DATE	SCALE
	MECH. CHK	MAT. I	
	ELEC. CHK	FINISH	

<i>Bally</i> /MIDWAY MFG. CO. FRANKLIN PARK, IL 60131	
JR. PACMAN (CONVERSION) LOGIC P.C. A080-91688-CA29	

COLOR ROM	
REVISIONS	
PART NO	M0-5-1-0-0-A-2-9-C-0-1-0



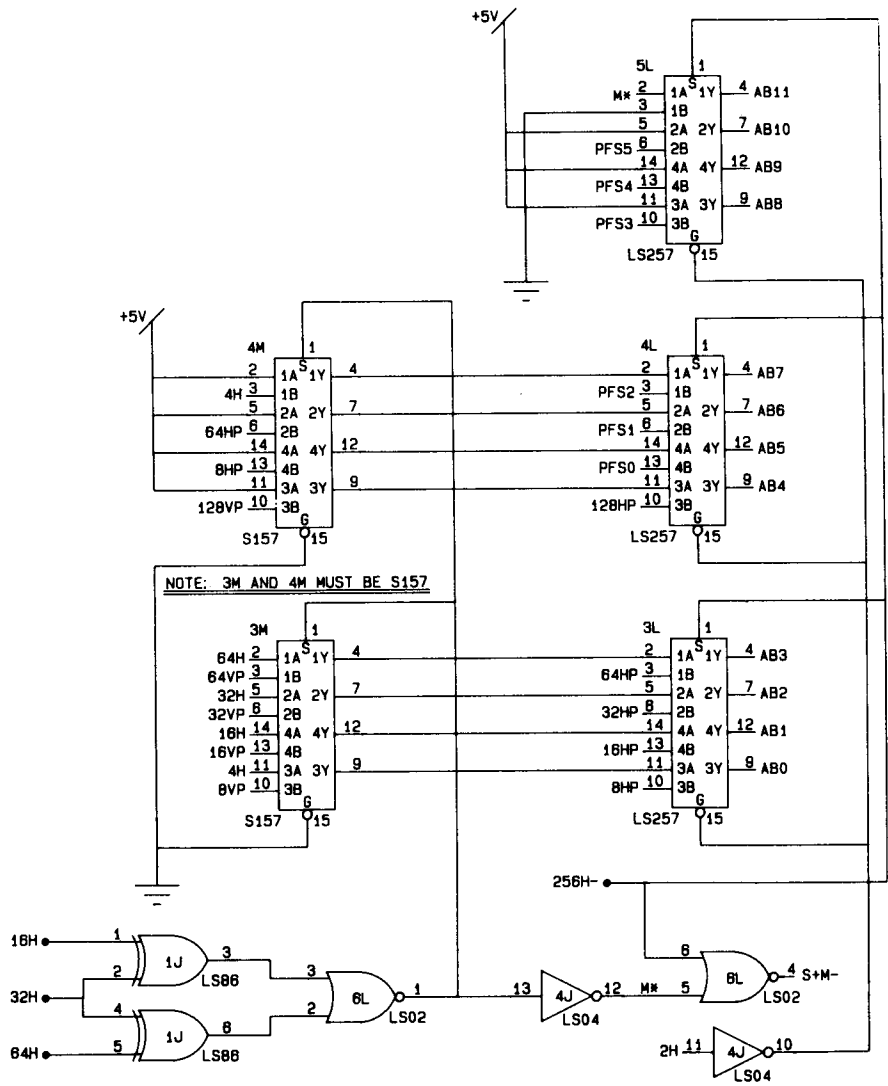
THIS DWG IS CONFIDENTIAL & PROPERTY OF BALLY/MIDWAY MFG CO

SHEET 20 OF 22

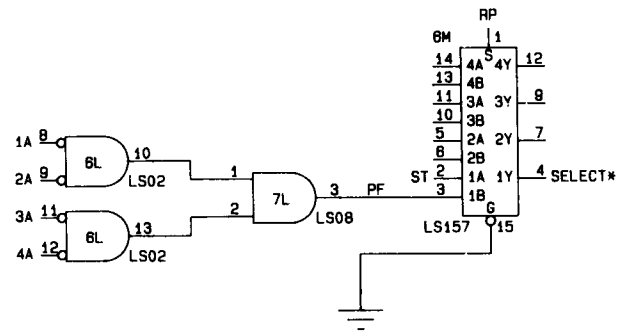
DIM. TOLERANCES UNLESS OTHERWISE SPEC CONCENTRICITY T.I.R. .002 FRACTIONAL ± 1/64 DECIMAL ± .005 HOLE DIA. + .002 - .000 ANGLE ± 1/2° DO NOT SCALE DWG.	FIRST USED ON	JR. PACMAN	
	DRN	DATE	SCALE
	MECH. CHK	12/08/83	FULL
	ELEC. CHK		

Bally/MIDWAY MFG. CO.
 FRANKLIN PARK, IL 60131
 JR. PACMAN (CONVERSION)
 LOGIC P.C.
 A080-91688-CA29

SOUND	
REVISIONS	
PART NO	M.O.5.1-0.0.A.2.9-C.0.1.0



NOTE: 3M AND 4M MUST BE S157



THIS DWG IS CONFIDENTIAL & PROPERTY OF BALLY/MIDWAY MFG CO

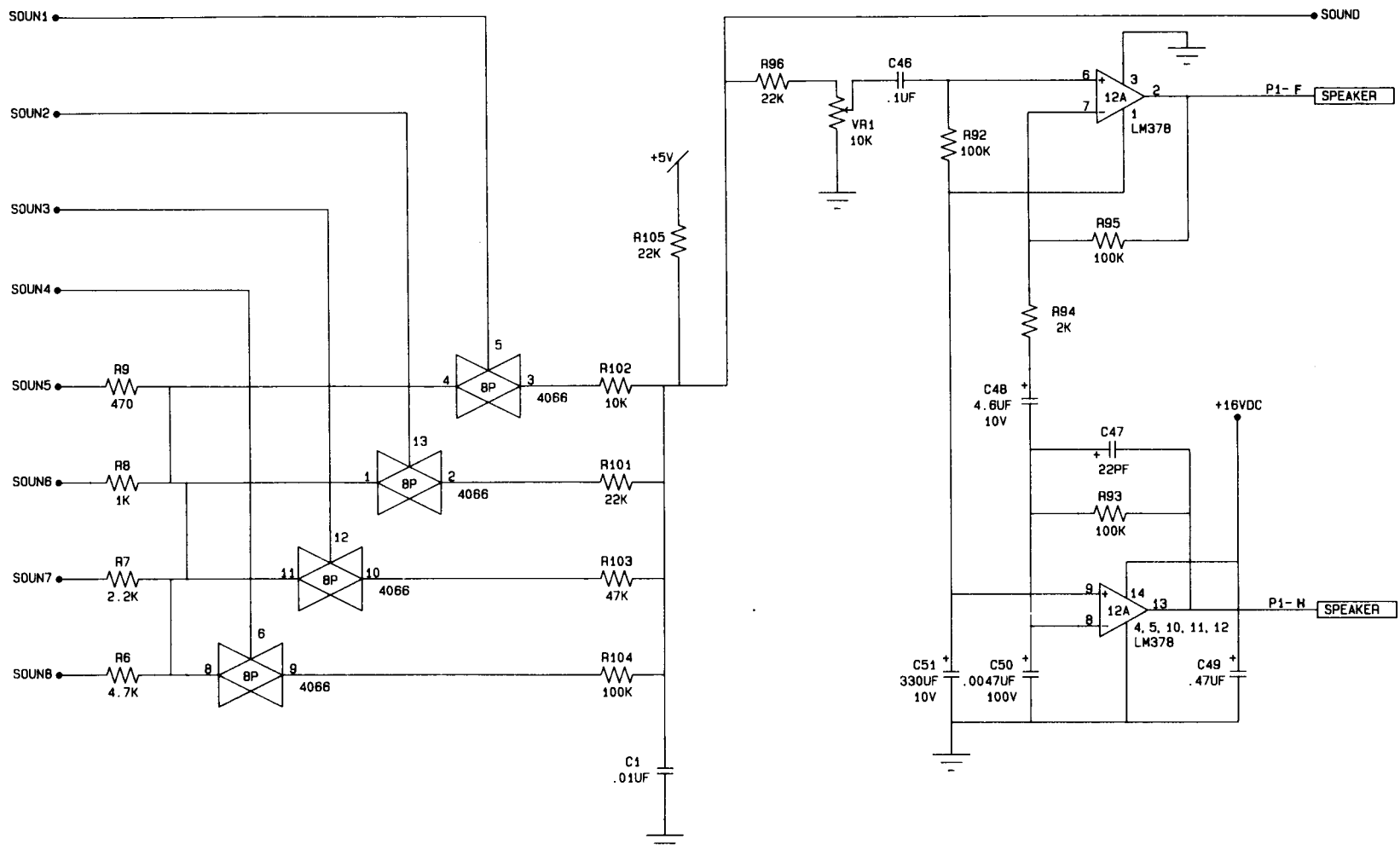
SHEET 21 OF 22

DIM. TOLERANCES UNLESS OTHERWISE SPEC. CONCENTRICITY T.I.R. .002 FRACTIONAL ± 1/64 DECIMAL ± .005 HOLE DIA. + .002 - .000 ANGLE ± 1/2° DO NOT SCALE DWG.	FIRST USED ON	JR. PACMAN	
	DRN	DATE	SCALE
	MECH CHK	MAT L	
	ELEC CHK	FINISH	

Bally / **MIDWAY MFG. CO.**
FRANKLIN PARK, IL 60131

JR. PACMAN (CONVERSION)
LOGIC P.C.
A080-91688-CA29

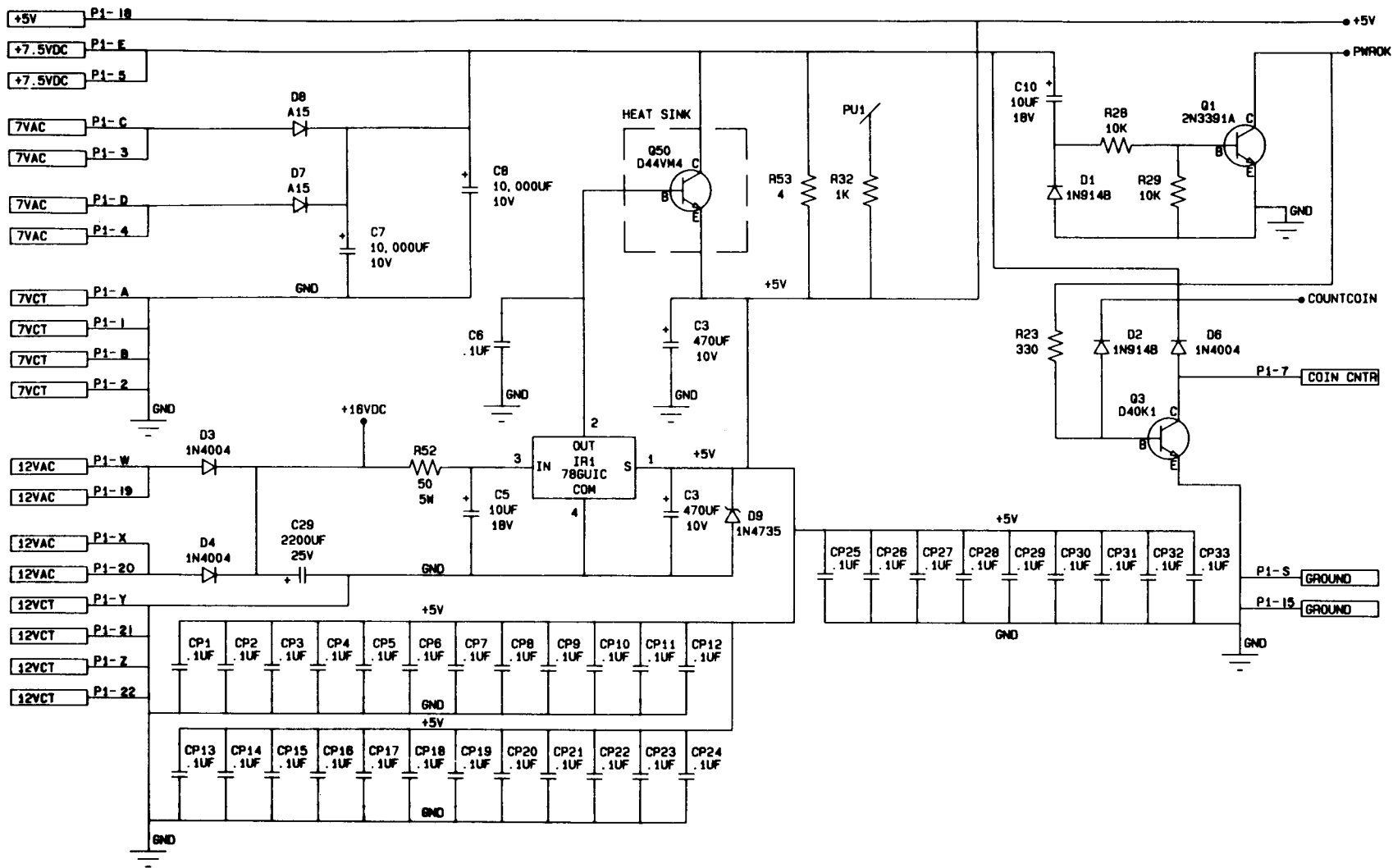
PROMPT / STAMP VIDEO	
REVISIONS	
PART NO	M0-5-1-0-0-A-2-9-C-0-1-0



THIS DWG. IS CONFIDENTIAL & PROPERTY OF BALLY/MIDWAY MFG. CO.

SHEET 22 OF 22

DIM. TOLERANCES UNLESS OTHERWISE SPEC. CONCENTRICITY T.I.R. .002 FRACTIONAL ± 1/64 DECIMAL ± .005 HOLE DIA. +.002 - .000 ANGLE ± 1/2° DO NOT SCALE DWG.	FIRST USED ON JR. PACMAN	DATE 12/08/83	SCALE FULL	 Bally/MIDWAY MFG. CO. FRANKLIN PARK, IL 60131	AUDIO AMPLIFIER
	DRN TBB				REVISIONS
	MECH. CHK.	MAT.	PART NO.		
	ELEC. CHK.	FINISH	M-0-5-1-0-0-A-2-9-C-0-1-0		
JR. PACMAN (CONVERSION) LOGIC P.C. A080-91688-CA29				REVISIONS	



THIS DWG IS CONFIDENTIAL & PROPERTY OF BALLY/MIDWAY MFG CO

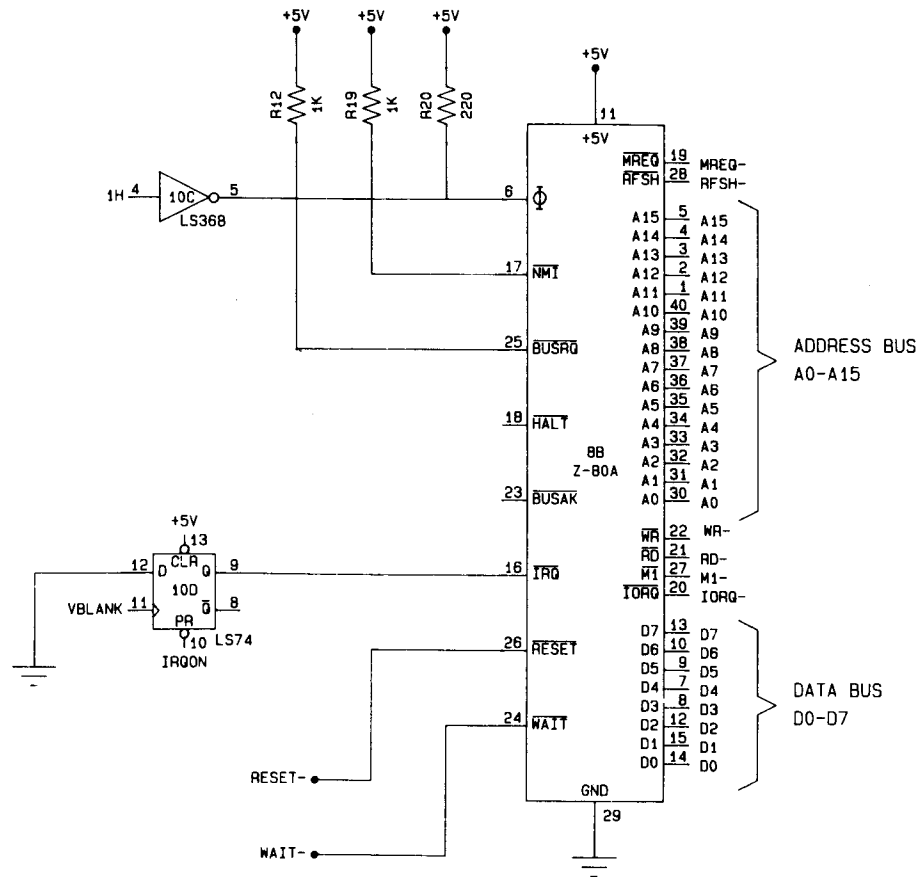
SHEET 1 OF 22

DIM. TOLERANCES UNLESS OTHERWISE SPEC. CONCENTRICITY T.I.R. .002 FRACTIONAL ± 1/64 DECIMAL ± .005 HOLE DIA. + .002 - .000 ANGLE ± 1/2° DO NOT SCALE DWG.	FIRST USED ON	JR. PACMAN	
	DRN	100	SCALE FULL
	MECH. CHK	DATE 11/29/83	
	ELEC. CHK	MAT'L	FINISH

Bally/MIDWAY MFG. CO.
FRANKLIN PARK, IL 60131

JR. PACMAN (FIELD KIT)
LOGIC P.C.
A080-91694-BA29

REVISIONS	
PART NO	M 080-91694-BA29



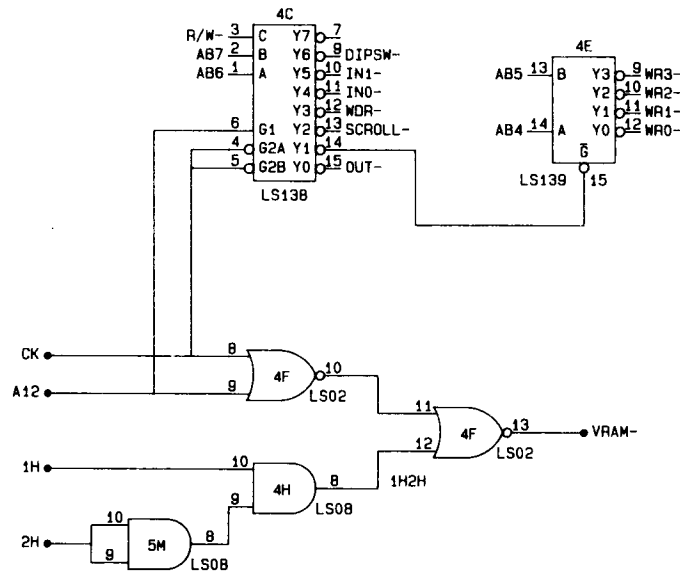
THIS DWG IS CONFIDENTIAL & PROPERTY OF BALLY/MIDWAY MFG CO.

SHEET 2 OF 22

DIM. TOLERANCES UNLESS OTHERWISE SPEC CONCENTRICITY TIR .002 FRACTIONAL ± 1/64 DECIMAL ± .005 HOLE DIA + .002 - .000 ANGLE ± 1/2° DO NOT SCALE DWG.	FIRST USED ON	JR. PACMAN	
	DRN	700	DATE 11/29/83
	MECH CKR		SCALE FULL
	ELEC CKR		FINISH

Bally/MIDWAY MFG. CO.
 FRANKLIN PARK, IL 60131
 JR. PACMAN (FIELD KIT)
 LOGIC P.C.
 A 080-91694 - BA29

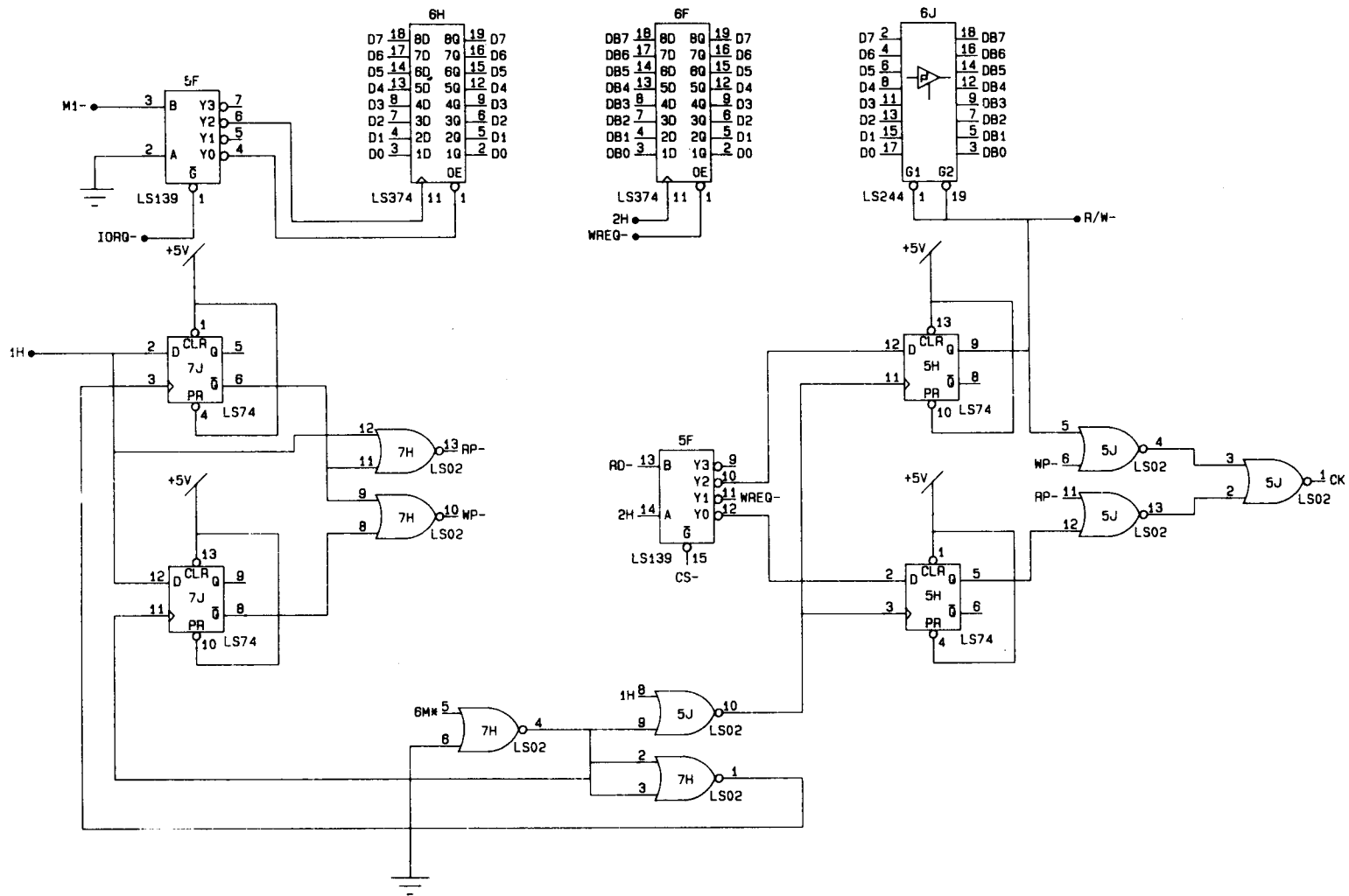
CPU	
REVISIONS	
PART NO	M-0-5-1-0-0-A-2-9-B-0-1-4



THIS DWG. IS CONFIDENTIAL & PROPERTY OF BALLY/MIDWAY MFG. CO.

SHEET 3 OF 22

DIM. TOLERANCES UNLESS OTHERWISE SPEC CONCENTRICITY T I R .002 FRACTIONAL ± 1/64 DECIMAL ± .005 HOLE DIA + .002 - .000 ANGLE ± 1/2° DO NOT SCALE DWG.	FIRST USED ON JR. PACMAN	<i>Bally/MIDWAY</i> MFG. CO. FRANKLIN PARK, IL 60131	ADDRESS DECODE	
	DRN TBB DATE 11/29/83 SCALE FULL		REVISIONS	
	MECH. CHG. _____ PART _____	JR. PACMAN (FIELD KIT) LOGIC P.C. A080-91694 - BA29		PART NO M-O-5-1-0-0-A-2-9-B-0-1-4
	ELEC. CHK. _____ FINISH _____			



THIS DWG IS CONFIDENTIAL & PROPERTY OF BALLY/MIDWAY MFG. CO.

SHEET 4 OF 22

DIM. TOLERANCES UNLESS OTHERWISE SPEC. CONCENTRICITY TIR .002 FRACTIONAL ± 1/64 DECIMAL ± .005 HOLE DIA +.002 - .000 ANGLE ± 1/2° DO NOT SCALE DWG.	FIRST USED ON JR. PACMAN		
	DRN TBB	DATE 11/29/83	SCALE FULL
	MECH CKM	MAT'L	
	ELEC CKM	FINISH	

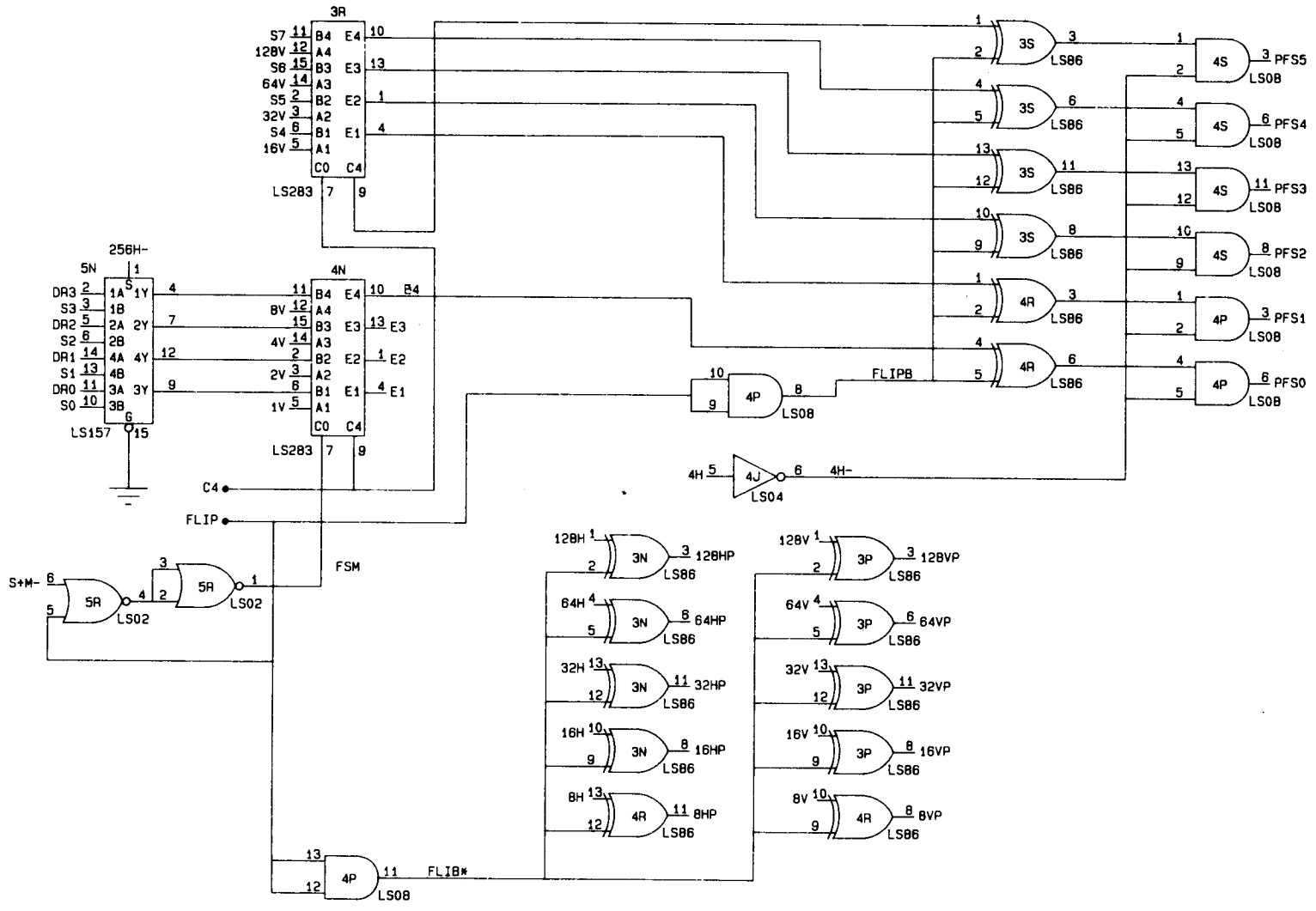
Bally/MIDWAY MFG. CO.
FRANKLIN PARK, IL 60131

JR. PACMAN (FIELD KIT)
LOGIC P.C.
A080-91694-BA29

SYNC BUS CONTROLLER

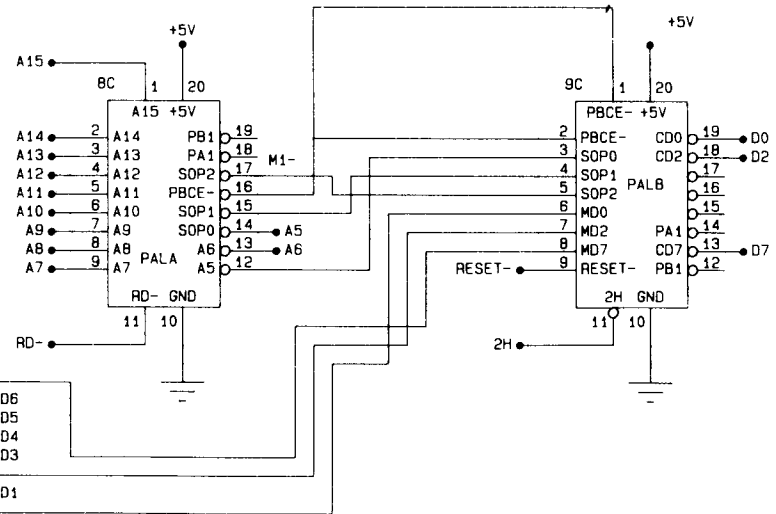
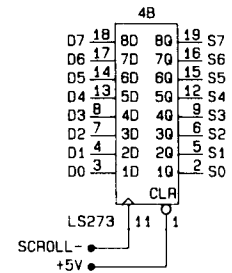
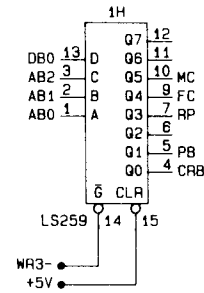
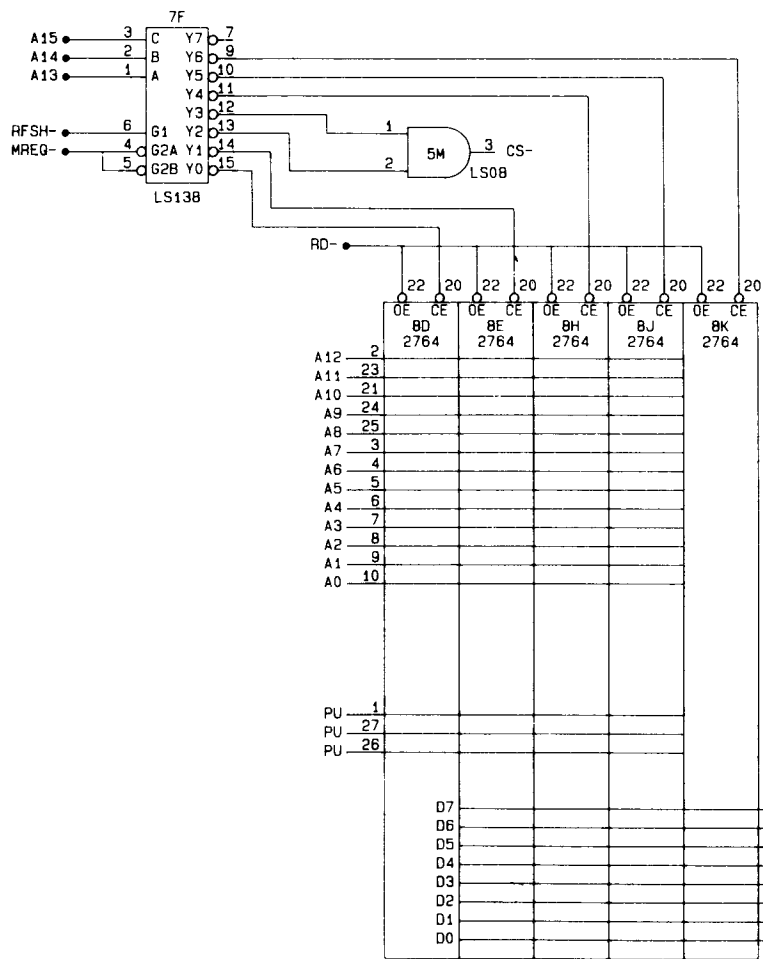
REVISIONS

PART NO
M.O.5.1-0.0.A.2.9-B.0.1.4



THIS DWG IS CONFIDENTIAL & PROPERTY OF BALLY/MIDWAY MFG. CO.

DIM. TOLERANCES UNLESS OTHERWISE SPEC CONCENTRICITY T I R .002 FRACTIONAL ± 1/64 DECIMAL ± .005 HOLE DIA + .002 - .000 ANGLE ± 1/2° DO NOT SCALE DWG.	FIRST USED ON JR. PACMAN DRN 700 DATE 11/29/83 SCALE FULL	Bally/MIDWAY MFG. CO. FRANKLIN PARK, IL 60131 JR. PACMAN (FIELD KIT) LOGIC P.C. A080-91694-BA29	SHEET 5 OF 22
	MECH CHN MATL FINISH		SCROLLING / VIDEO REVISIONS PART NO M.O. 5-1-0-0-A-2-9-B-0-1-4



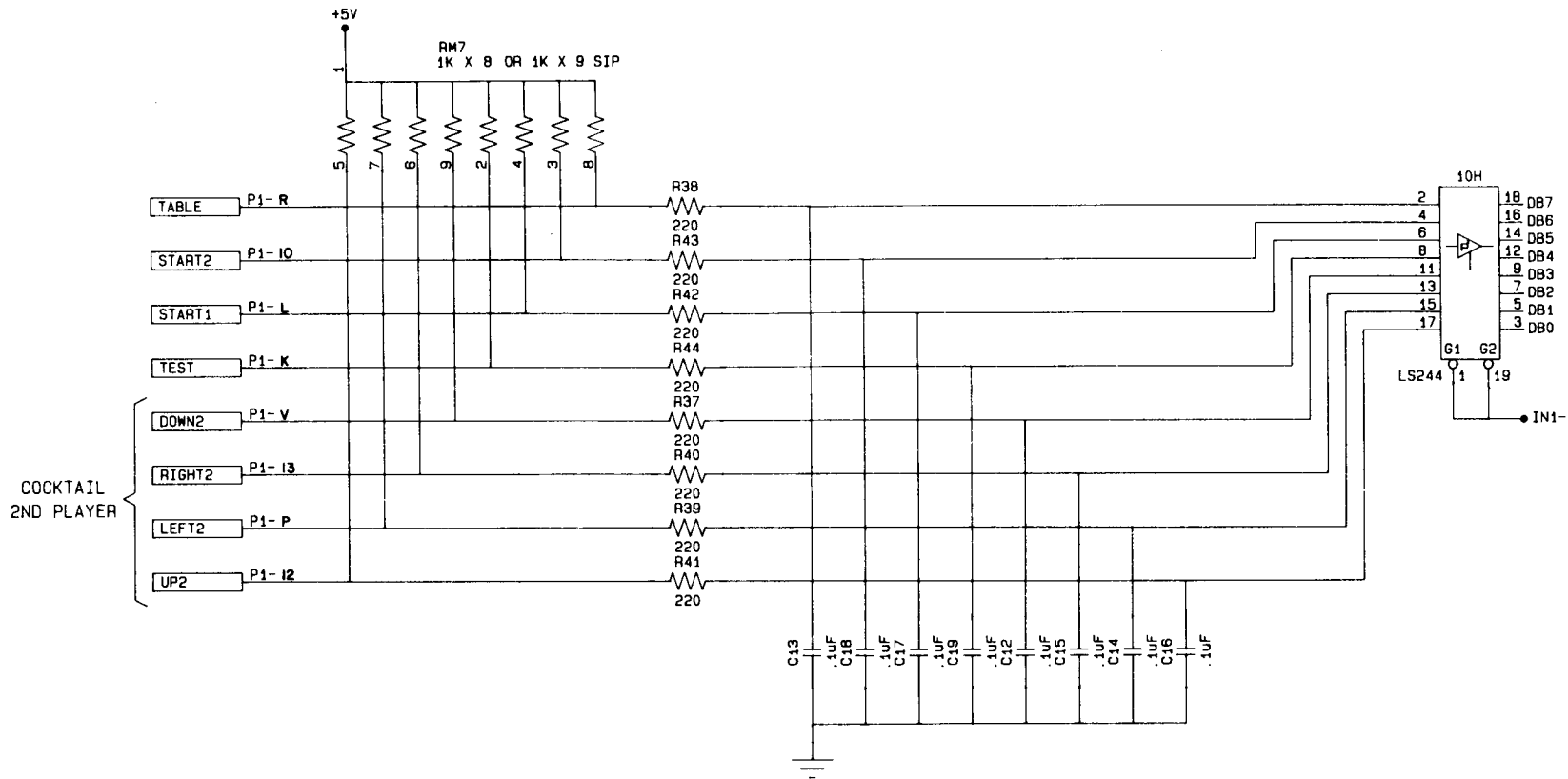
THIS DRAWING IS THE PROPERTY OF BALLY/MIDWAY MFG. CO.

DIM. TOLERANCES UNLESS OTHERWISE SPEC CONCENTRICITY TYP. 002 FRACTIONAL ± 1/64 DECIMAL ± .005 HOLE DIA. + .002 - .000 ANGLE ± 1.2° DO NOT SCALE DWG.	FIRST REVISION QRN: T00	JR. PACMAN DATE: 11/29/83	ALL FULL
	MECHANICAL	MAT:	
	FILE: CHY	FINISH:	

Bally/MIDWAY MFG. CO.
FRANKLIN PARK, IL 60131

JR. PACMAN (FIELD KIT)
LOGIC P.C.
A080-91694 - BA29

SHEET 7 OF 22	
ROM	
REVISIONS	
PART NO	M05-1-00A-29-B-014



COCKTAIL
2ND PLAYER

THIS DWG IS CONFIDENTIAL & PROPERTY OF BALLY/MIDWAY MFG. CO.

SHEET 8 OF 22

DIM. TOLERANCES UNLESS OTHERWISE SPEC. CONCENTRICITY T I R .002 FRACTIONAL ± 1/64 DECIMAL ± .005 HOLE DIA + .002 - .000 ANGLE ± 1/2° DO NOT SCALE DWG.	FIRST USED ON	JR. PACMAN	
	DRN	DATE	SCALE
	MECH. CHK	MA'1	
	ELEC. CHK	FINISH	

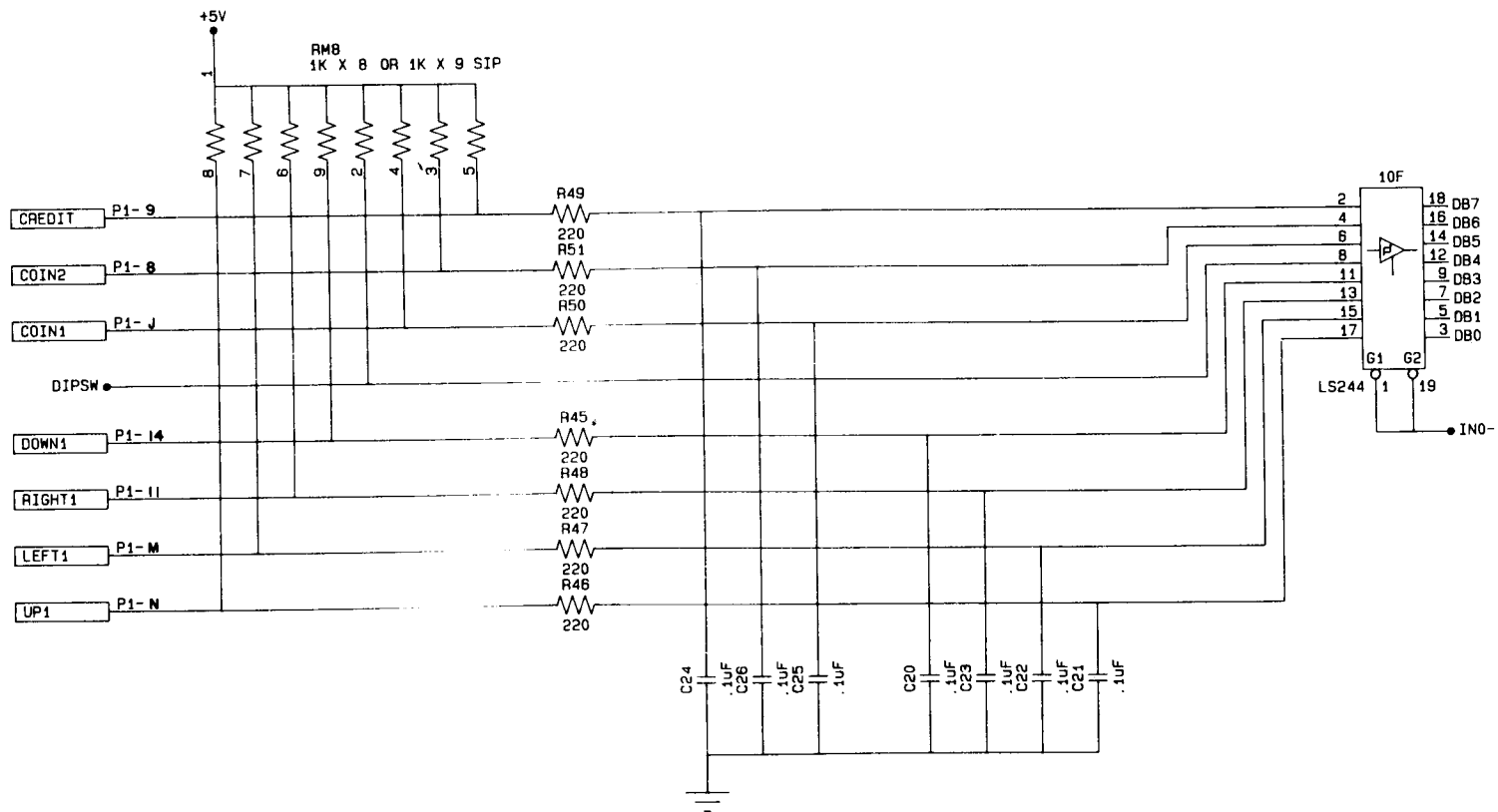
Bally / **MIDWAY MFG. CO.**
FRANKLIN PARK, IL 60131

JR. PACMAN (FIELD KIT)
LOGIC P.C.
A080-91694-BA29

DIGITAL IN1

REVISIONS

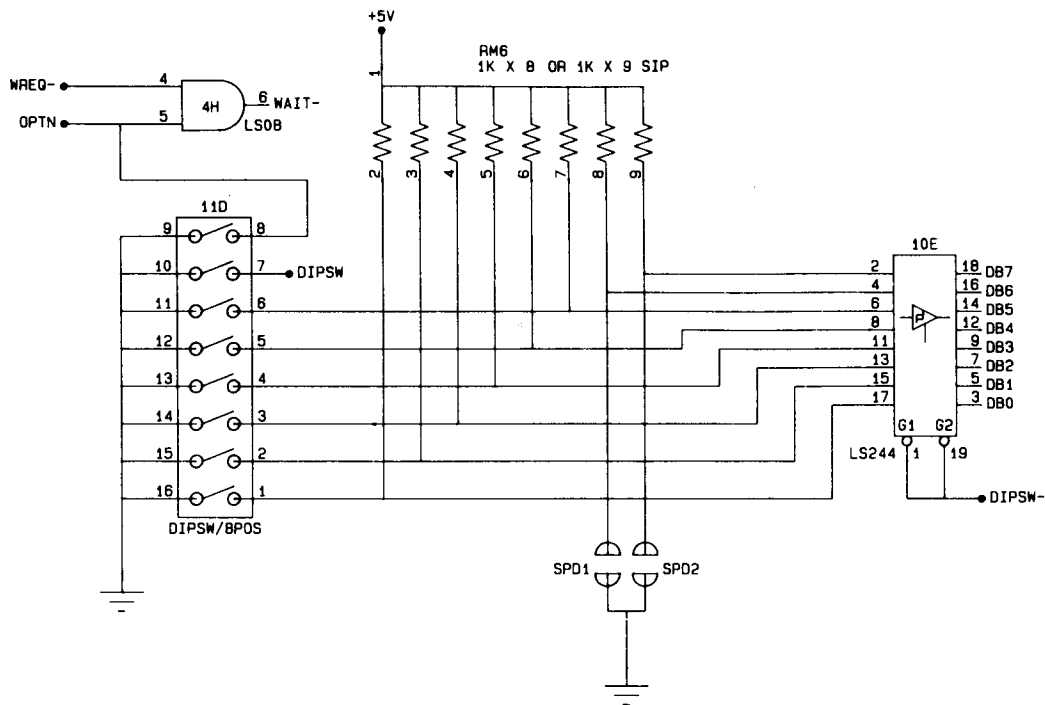
PART NO. M0-5-1-0-0-A-2-9-B-0-1-4



THIS DWG IS CONFIDENTIAL & PROPERTY OF BALLY/MIDWAY MFG. CO.

SHEET 9 OF 22

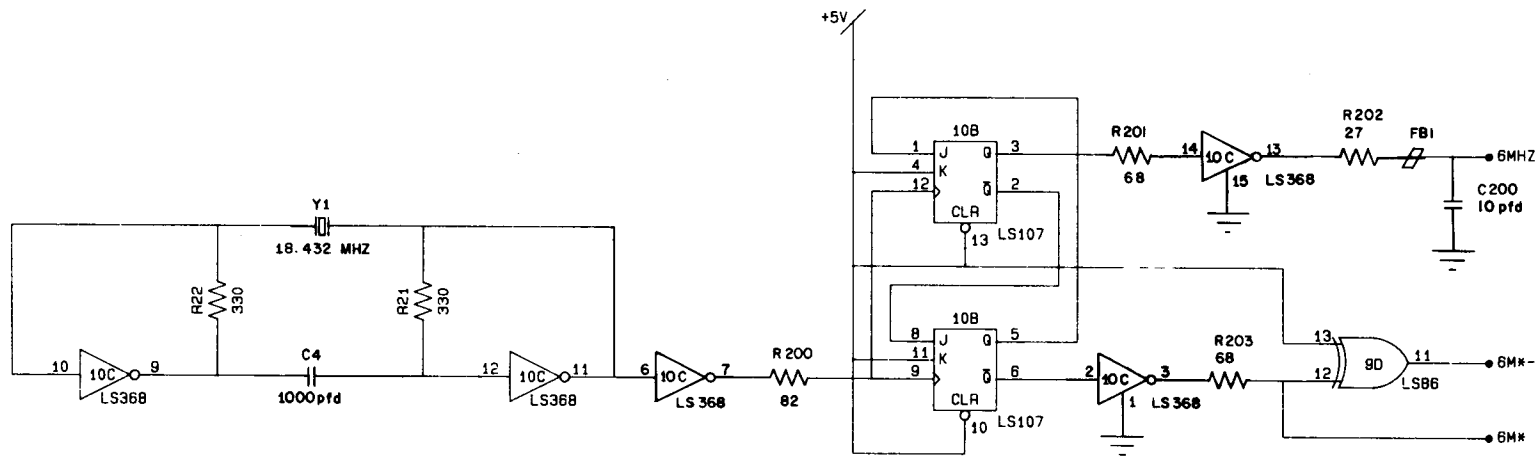
DIM. TOLERANCES UNLESS OTHERWISE SPEC CONCENTRICITY T I R .002 FRACTIONAL ± 1/64 DECIMAL ± .005 HOLE DIA +.002 - .000 ANGLE ± 1/2° DO NOT SCALE DWG.	FIRST USED ON JR. PACMAN DRN TBB DATE 11/29/83 SCALE FULL	Bally/MIDWAY MFG. CO. FRANKLIN PARK, IL 60131	DIGITAL IN2		
	MECH. CHR. _____ MAT. _____ ELEC. CHR. _____ FINISH _____		JR. PACMAN (FIELD KIT) LOGIC P.C. A080-91694-BA29		REVISIONS PART NO M-0-5-1-0-0-A-2-9-B-0-1-4



THIS DWG IS CONFIDENTIAL & PROPERTY OF BALLY/MIDWAY MFG. CO.

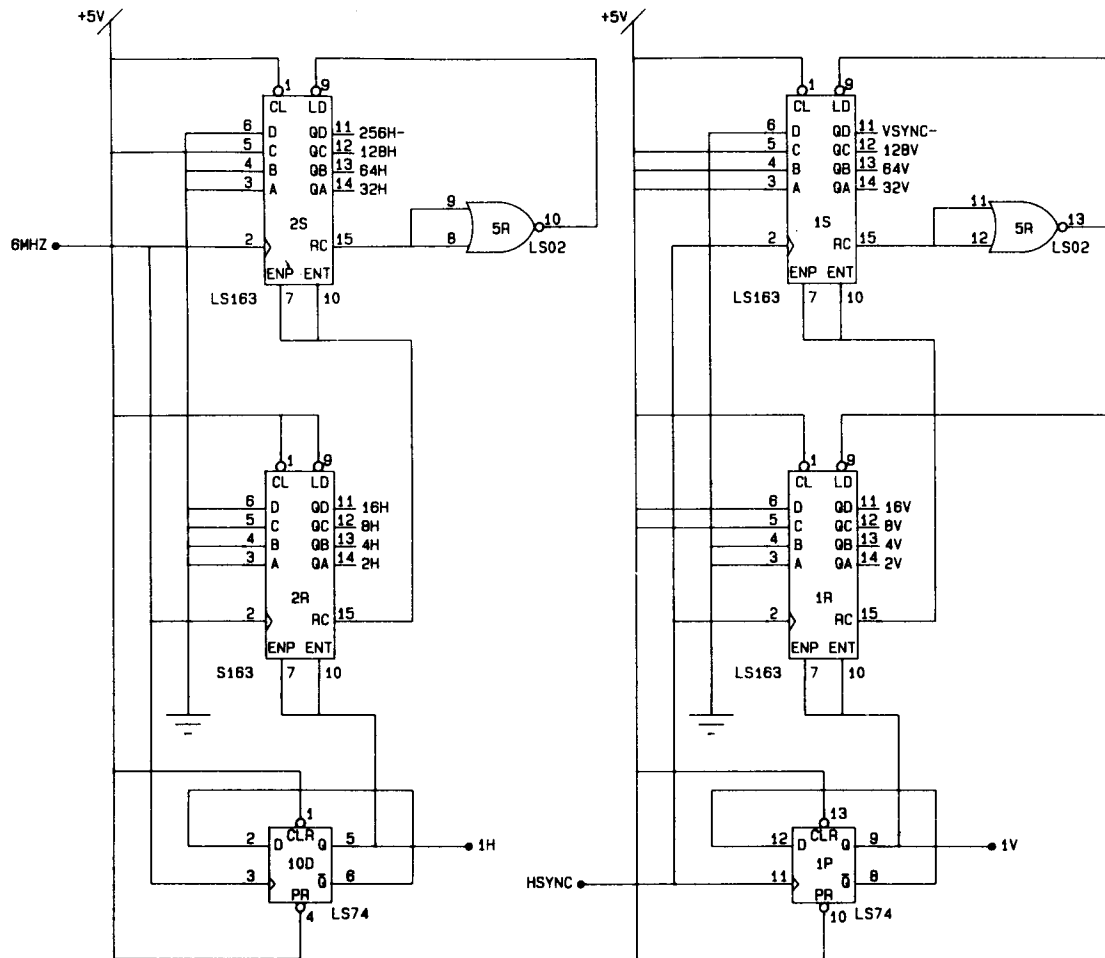
SHEET 10 OF 22

DIM. TOLERANCES UNLESS OTHERWISE SPEC CONCENTRICITY T I R .002 FRACTIONAL ± 1/64 DECIMAL ± .005 HOLE DIA + .002 - .000 ANGLE ± 1/2° DO NOT SCALE DWG.	FIRST USED ON JR. PACMAN	<i>Bally/MIDWAY</i> MFG. CO. FRANKLIN PARK, IL 60131			
	DRN TBB		DATE 11/29/83	SCALE FULL	DIPSWITCH
	MECH CHK		MAT:	JR. PACMAN (FIELD KIT)	REVISIONS
	ELEC CHP		FINISH	LOGIC P.C. A080-91694-BA29	PART NO M.O.5.1-0.0.A.2.9-B.0.1.4



THIS DWG IS CONFIDENTIAL & PROPERTY OF BALLY/MIDWAY MFG. CO.

DIM. TOLERANCES UNLESS OTHERWISE SPEC CONCENTRICITY T1R .002 FRACTIONAL ± 1/64 DECIMAL ± .005 HOLE DIA + .002 - .000 ANGLE ± 1/2° DO NOT SCALE DWG.	FIRST USED BY JR. PACMAN DWN TBB DATE 11/29/83 SCALE FULL	<i>Bally</i> / MIDWAY MFG. CO. FRANKLIN PARK, IL 60131 JR. PACMAN (FIELD KIT) LOGIC P.C. A080-91694-BA29	SHEET 11 OF 22
	MECH CHG _____ DATE _____ ELEC CHG _____ DATE _____		CLOCK GENERATOR
	REVISIONS		PART NO M051-00A29-B014
	FINISH _____		



THIS DWG IS CONFIDENTIAL & PROPERTY OF BALLY/MIDWAY MFG. CO.

SHEET 12 OF 22

DIM. TOLERANCES UNLESS OTHERWISE SPEC CONCENTRICITY T.I.R. .002 FRACTIONAL ± 1/64 DECIMAL ± .005 HOLE DIA. +.002 - .000 ANGLE ± 1/2° DO NOT SCALE DWG.	FIRST USED ON JR. PACMAN	DATE 11/29/83	REVISE FULL
	DRN 700	DATE 11/29/83	REVISE FULL
	MECH. CHR. 700	MAT'L 700	FINISH 700
	ELEC. CHR. 700	FINISH 700	FINISH 700

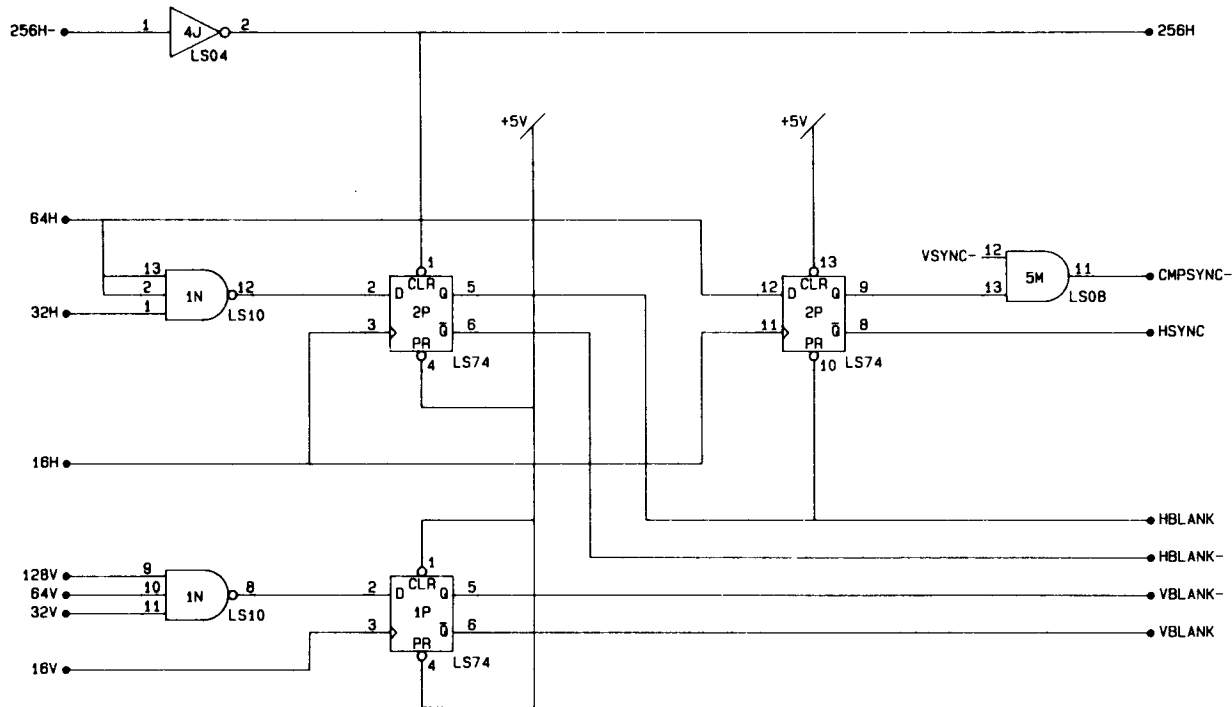
Bally / **MIDWAY MFG. CO.**
FRANKLIN PARK, IL 60131

JR. PACMAN (FIELD KIT)
LOGIC P.C.
A080-91694-BA29

SYNC GENERATOR

REVISIONS

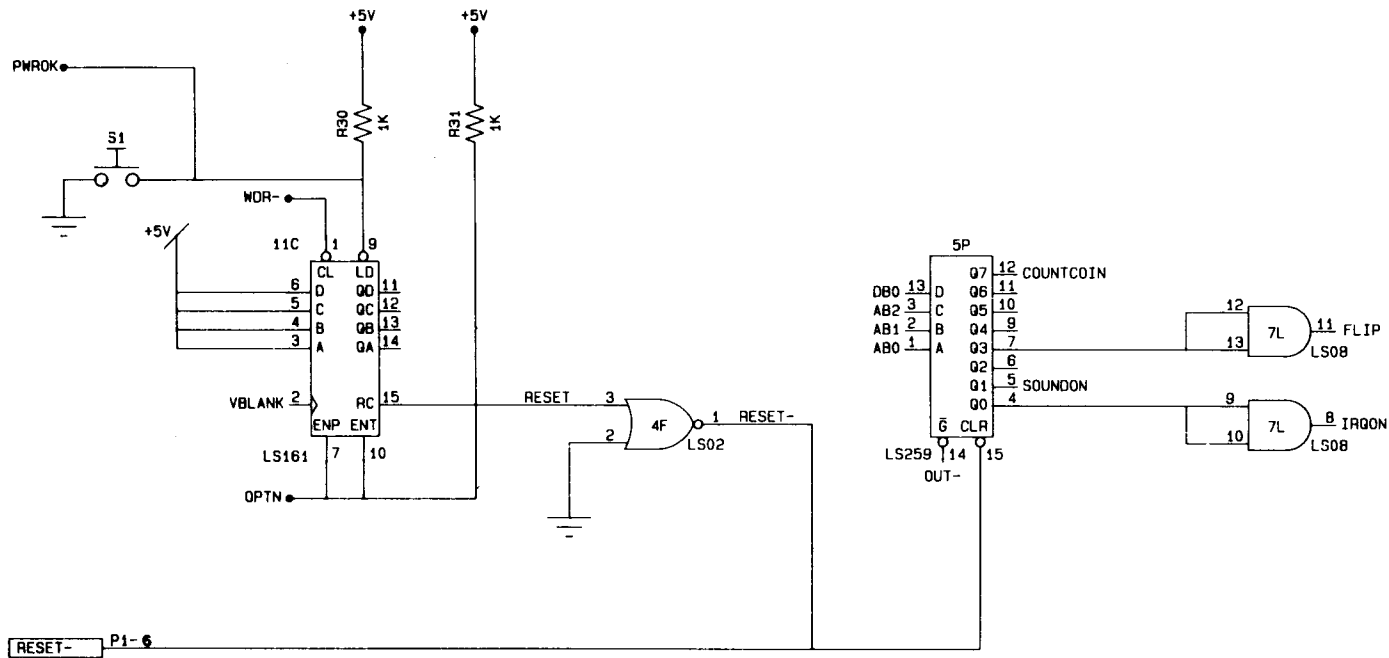
FART NO
M.0.5.1-0.0.A.2.9-B.0.1.4



THIS DWG IS CONFIDENTIAL & PROPERTY OF BALLY/MIDWAY MFG CO

SHEET 13 OF 22

DIM. TOLERANCES UNLESS OTHERWISE SPEC. CONCENTRICITY T.I.R. .002 FRACTIONAL ± .164 DECIMAL ± .005 HOLE DIA. + .002 - .000 ANGLE ± 1/2° DO NOT SCALE DWG.	FIRST USED ON JR. PACMAN	DATE 11/29/83 SCALE FULL		Bally/MIDWAY MFG. CO. FRANKLIN PARK, IL 60131 JR. PACMAN (FIELD KIT) LOGIC P.C. A080-91694-BA29	BLANK GENERATOR
	DRN TEB	MECH. CHK. MAT. I.			REVISIONS
	ELEC. CHK. FINISH	PART NO. M.Q.51-0-0-A-2-9-B-0-1-4			



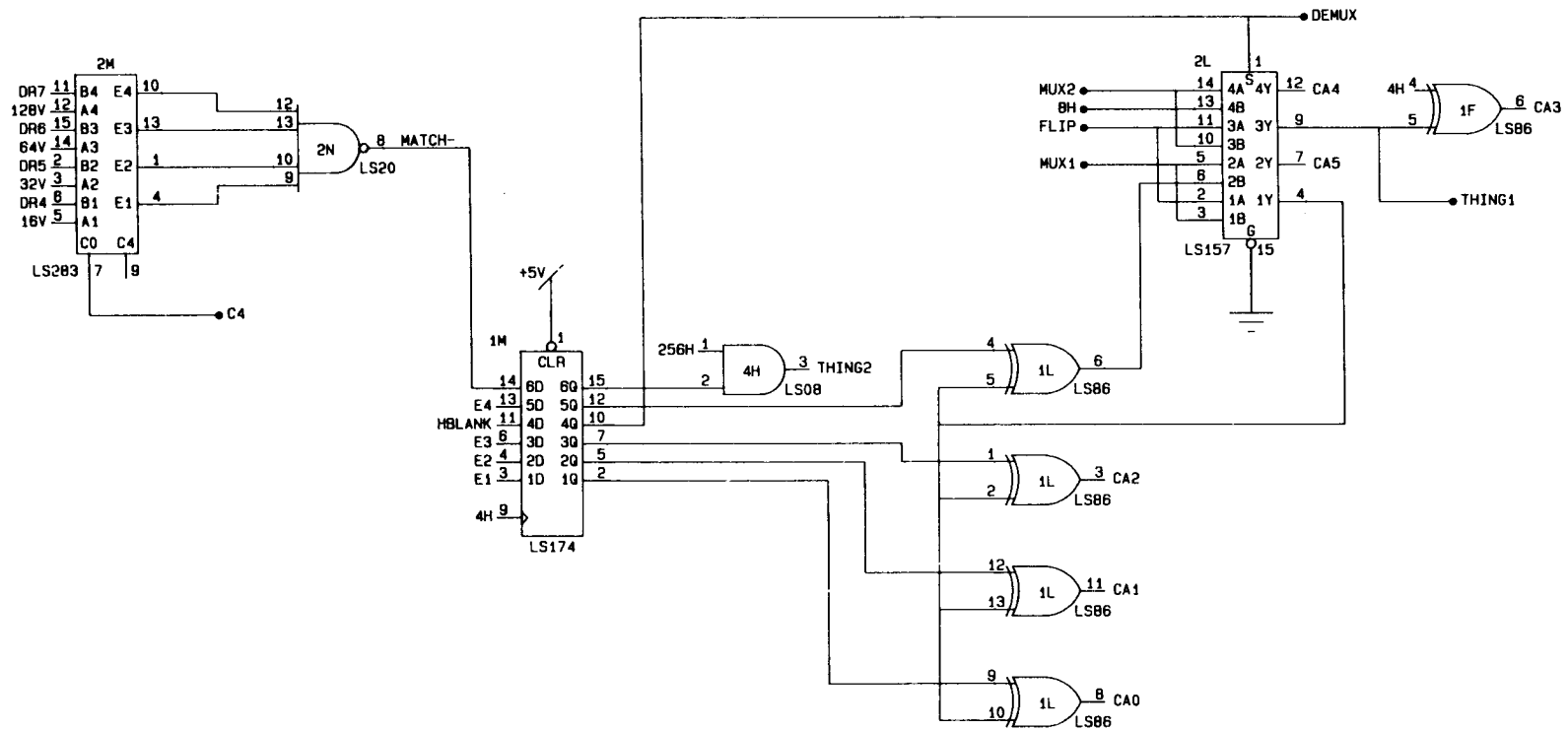
THIS DWG. IS CONFIDENTIAL & PROPERTY OF BALLY/MIDWAY MFG. CO.

SHEET 14 OF 22

DIM. TOLERANCES UNLESS OTHERWISE SPEC. CONCENTRICITY T I R .002 FRACTIONAL ± .164 DECIMAL ± .005 HOLE DIA + .002 - .000 ANGLE ± 1/2° DO NOT SCALE DWG.	FIRST USED ON JR. PACMAN DWN TBB DATE 11/29/83 SCALE FULL
	MECH. CHR. _____ MATL. _____ ELEC. CHR. _____ FINISH _____
	FRANKLIN PARK, IL 60131
	JR. PACMAN (FIELD KIT) LOGIC P.C. A080-91694-BA29

Bally / **MIDWAY MFG. CO.**
 FRANKLIN PARK, IL 60131
 JR. PACMAN (FIELD KIT)
 LOGIC P.C.
 A080-91694-BA29

RESET IRQ	
REVISIONS	
PART NO	M051-00A29-B014



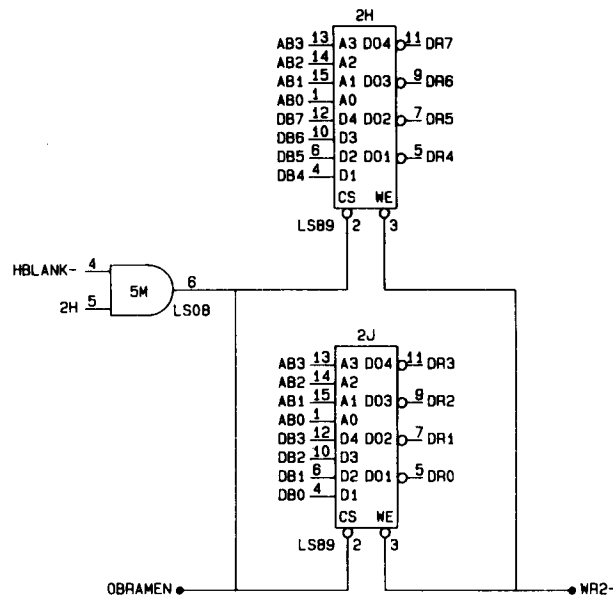
THIS DWG. IS CONFIDENTIAL & PROPERTY OF BALLY/MIDWAY MFG. CO.

SHEET 15 OF 22

DIM. TOLERANCES UNLESS OTHERWISE SPEC CONCENTRICITY T.I.R. 002 FRACTIONAL ± 1/64 DECIMAL ± .005 HOLE DIA + .002 - .000 ANGLE ± 1/2° DO NOT SCALE DWG.	FIRST USED ON JR. PACMAN	DATE 11/29/83	SCALE FULL
	MECH. CHK 100	MATE	
	ELEC. CHK	FINISH	

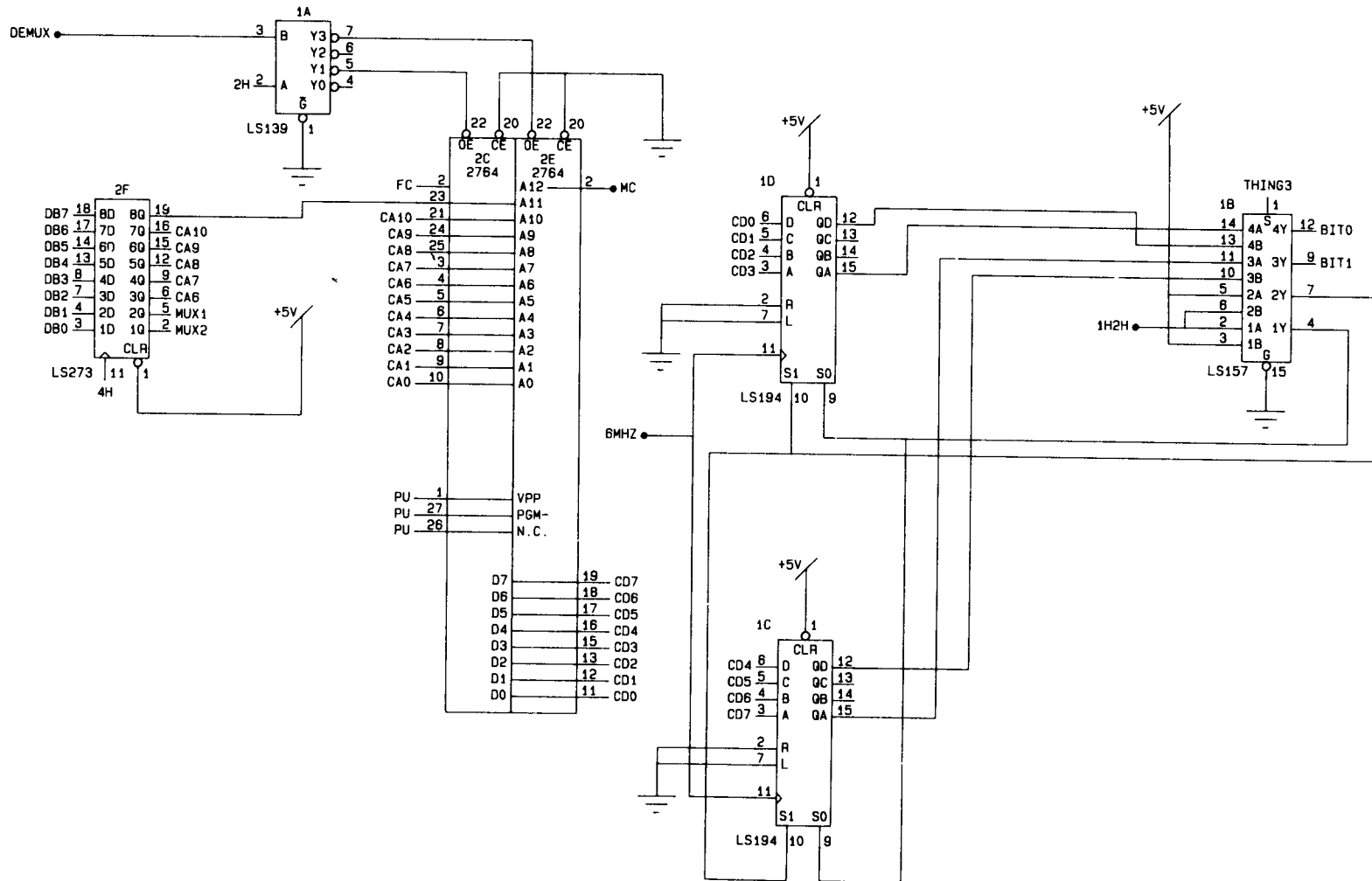
Bally/MIDWAY MFG. CO.
 FRANKLIN PARK, IL 60131
 JR. PACMAN (FIELD KIT)
 LOGIC P.C.
 A080-91694-BA29

VERT. ADDRESS TIMING REVISIONS
PART NO M051-00A29-B014



THIS DWG IS CONFIDENTIAL & PROPERTY OF BALLY/MIDWAY MFG. CO.

DIM. TOLERANCES UNLESS OTHERWISE SPEC CONCENTRICITY T I R .002 FRACTIONAL ± 1/64 DECIMAL ± .005 HOLE DIA +.002 - .000 ANGLE ± 1/2° DO NOT SCALE DWG.	FIRST USED ON JR. PACMAN	DATE 11/29/83		SCALE FULL	Bally/MIDWAY MFG. CO. FRANKLIN PARK, IL 60131	SHEET 16 OF 22	
	MECH CHN TBB	MAT'L	FINESS			OBJECT RAM	REVISIONS
	ELEC CHN	FINISH	JR. PACMAN (FIELD KIT) LOGIC P.C. A080-91694-BA29		PART NO M051-00A29-B014		



THIS DWG IS CONFIDENTIAL & PROPERTY OF BALLY/MIDWAY MFG. CO.

DIM. TOLERANCES UNLESS OTHERWISE SPEC CONCENTRICITY T I R .002 FRACTIONAL ± .04 DECIMAL ± .005 HOLE DIA + .002 - .000 ANGLE ± 1/2° DO NOT SCALE DWG.	FIRST USED ON JR. PACMAN	DATE 11/29/83	SCALE FULL
	DRN 100		
	MECH ENR		
	ELEC ENR		

Bally/MIDWAY MFG. CO.
FRANKLIN PARK, IL 60131

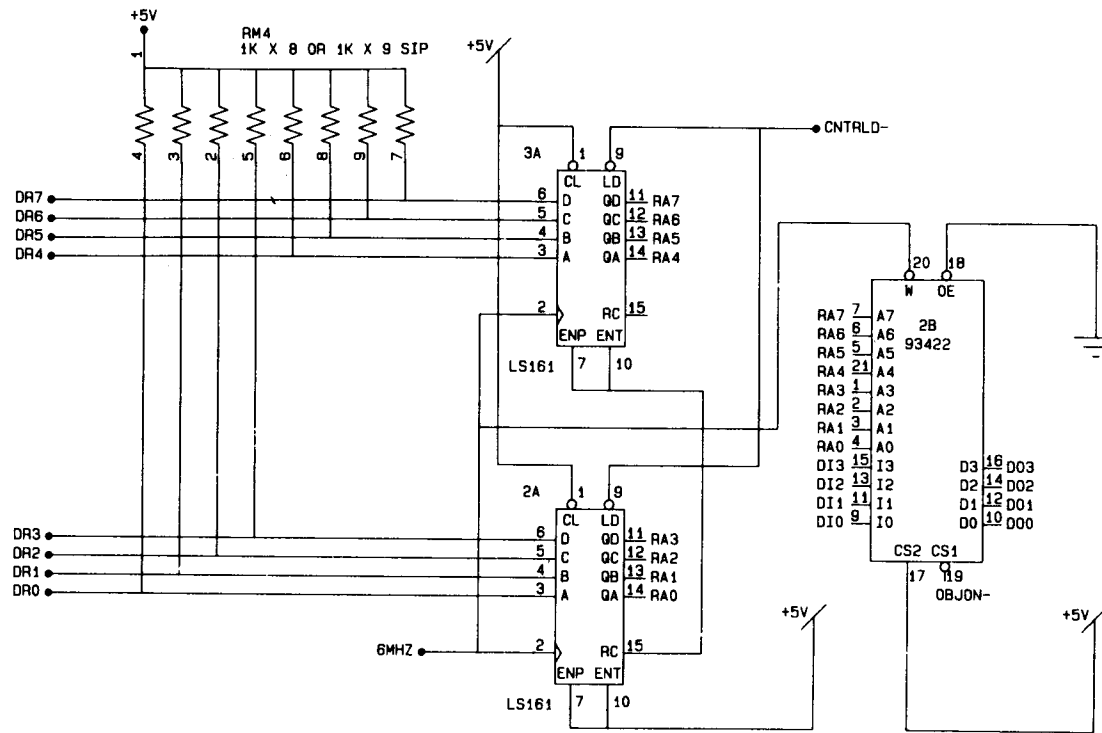
JR. PACMAN (FIELD KIT)
LOGIC P.C.
A080-91694-BA29

SHEET 17 OF 22

OBJECT ROM

REVISIONS

PART NO
M-O-5-1-0-0-A-2-9-B-0-1-4



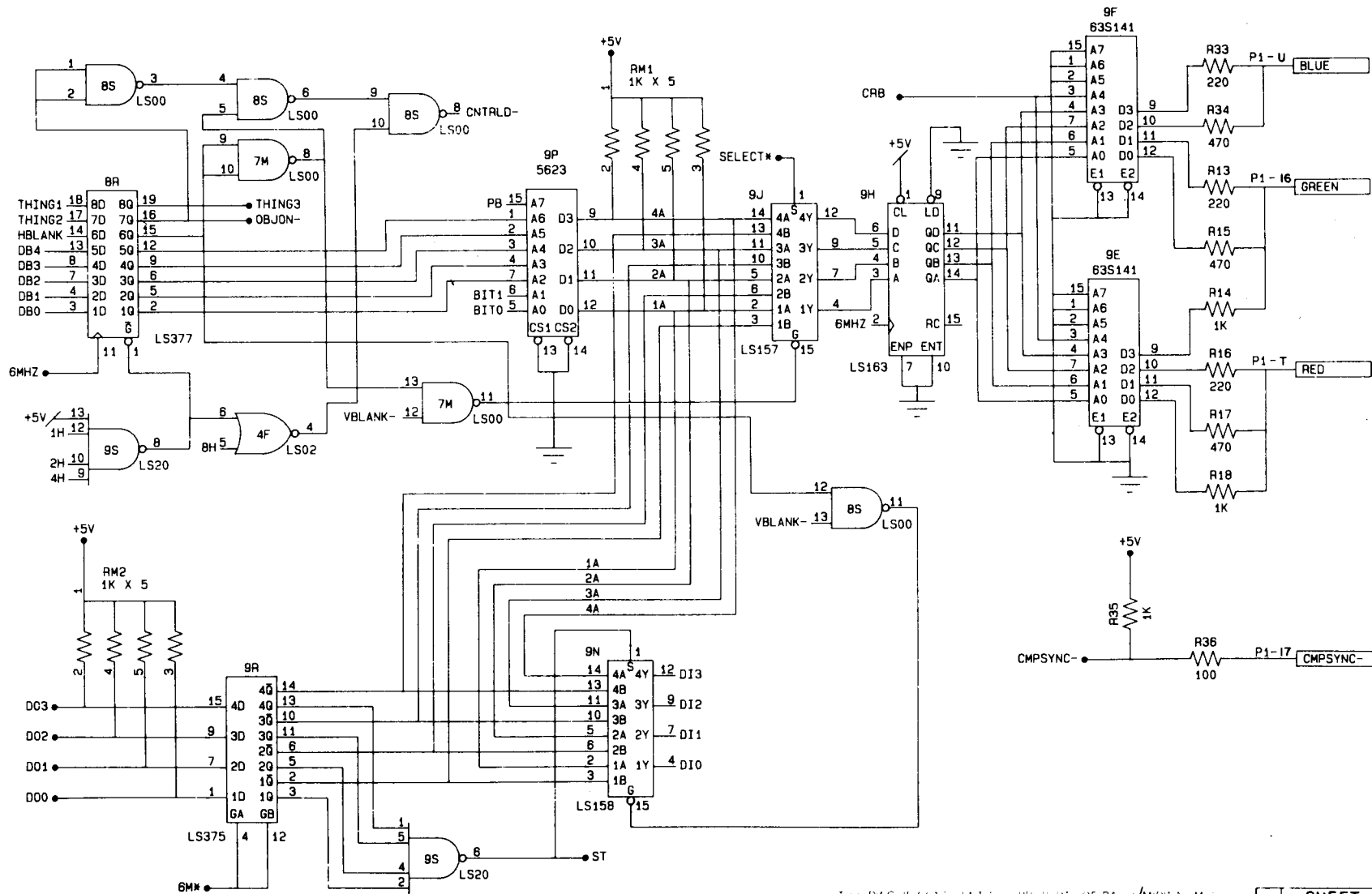
THIS DWG IS CONFIDENTIAL & PROPERTY OF BALLY/MIDWAY MFG. CO.

DIM. TOLERANCES UNLESS OTHERWISE SPEC CONCENTRICITY TYP .002 FRACTIONAL . . . ± 1/64 DECIMAL . . . ± .005 HOLE DIA . . . +.002 - .000 ANGLE . . . ± 1/2° DO NOT SCALE DWG.	FIRST USED ON JR. PACMAN	DATE 11/29/83		ALL FULL
	DRN TBB	MECH. CHK		MATL
	ELEC. CHK	FINISH		

Bally/MIDWAY MFG. CO.
FRANKLIN PARK, IL 60131

JR. PACMAN (FIELD KIT)
LOGIC P.C.
A080-91694-BA29

SHEET 18 OF 22	
LINE	RAM
REVISIONS	
PART NO	M.O.5.1-0.0.A.2.9-B.0.1.4



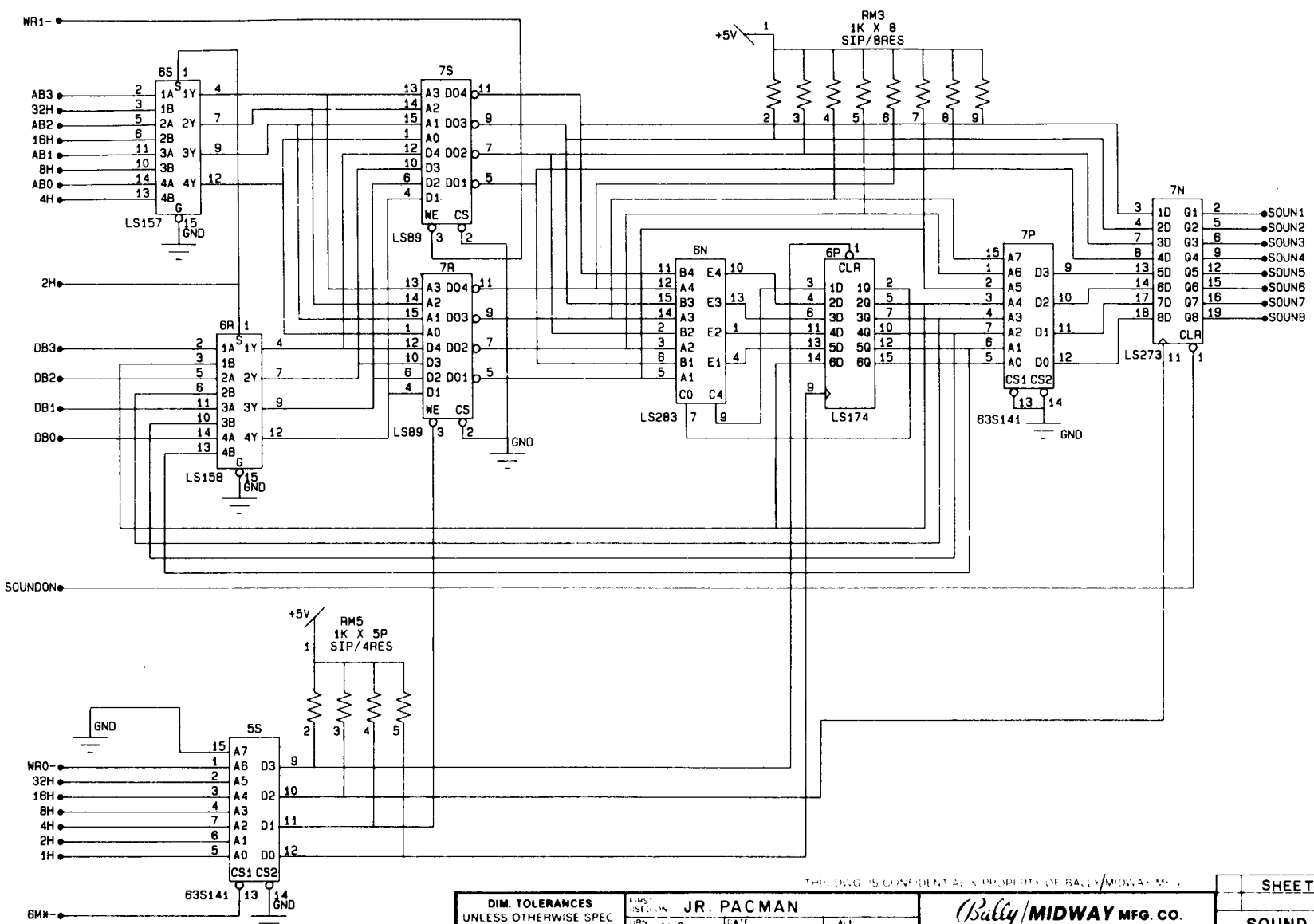
THIS DRAWING IS ONE OF THE PARTS OF BALLY/MIDWAY MFG. CO.

SHEET 19 OF 22

DIM. TOLERANCES UNLESS OTHERWISE SPEC CONCENTRICITY T I R .002 FRACTIONAL ± 1/64 DECIMAL ± .005 HOLE DIA + .002 - .000 ANGLE ± 1/2° DO NOT SCALE DWG.	PART USED IN: JR. PACMAN	DATE: 11/29/83	SCALE: FULL	
	DRN: TBB			
	MECH:	FINISH:	FILE:	
	ELEC:	FINISH:	FILE:	

Bally/MIDWAY MFG. CO.
 FRANKLIN PARK, IL 60131
JR. PACMAN (FIELD KIT)
 LOGIC P.C.
 A080-91694-BA29

COLOR ROM
REVISIONS
PART NO M05100A29B014

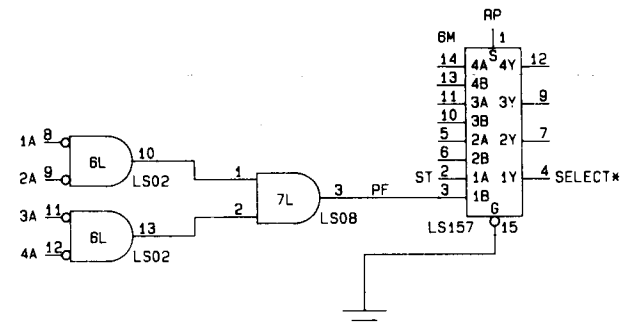
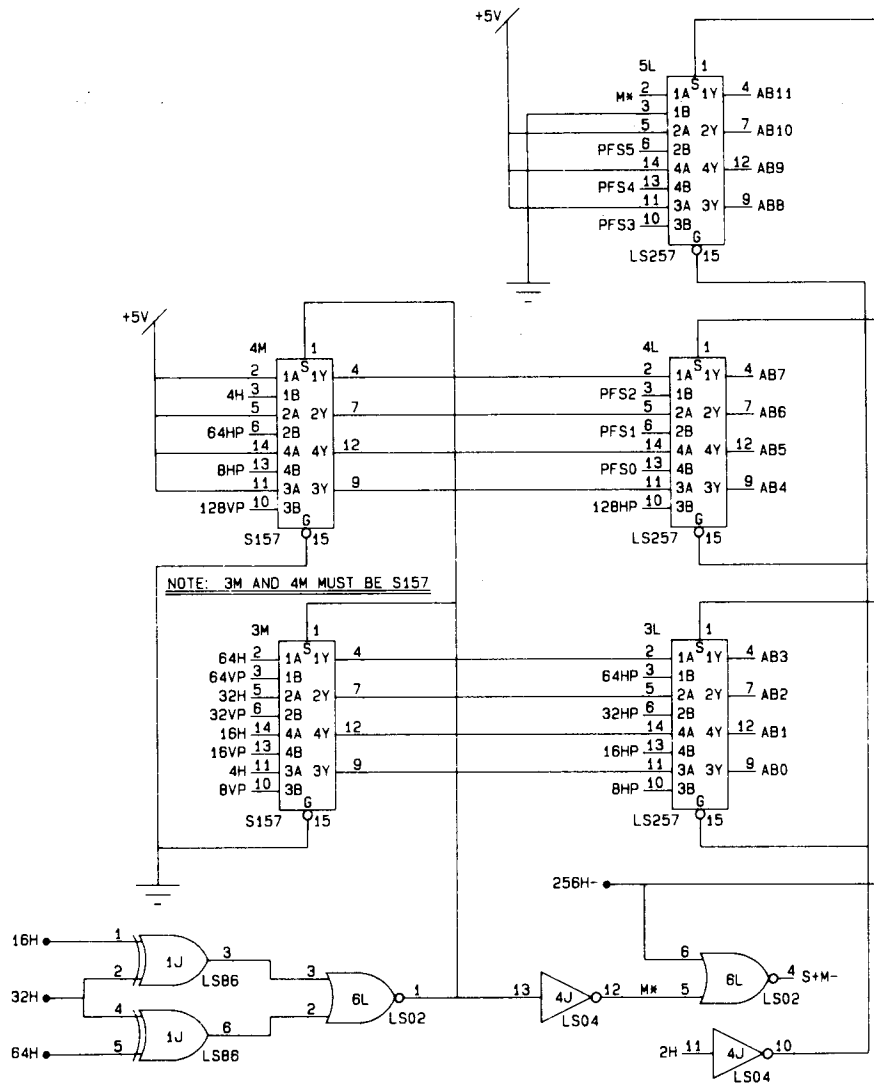


THIS DRAWING IS CONFIDENTIAL & PROPERTY OF BALLY/MIDWAY MFG. CO.

SHEET 20 OF 22	
SOUND	
REVISIONS	
PART NO	M05100A29-B014

DIM. TOLERANCES UNLESS OTHERWISE SPEC CONCENTRICITY T1P .002 FRACTIONAL ± 1/64 DECIMAL ± .005 HOLE DIA + .002 - .000 ANGLE ± 1/2° DO NOT SCALE DWG.	FIRST USED ON JR. PACMAN	DATE 11/29/83	A1 FULL
	DRN 788	MFG. CHN MFG.	FINISH
	ELEC. CHN	FINISH	

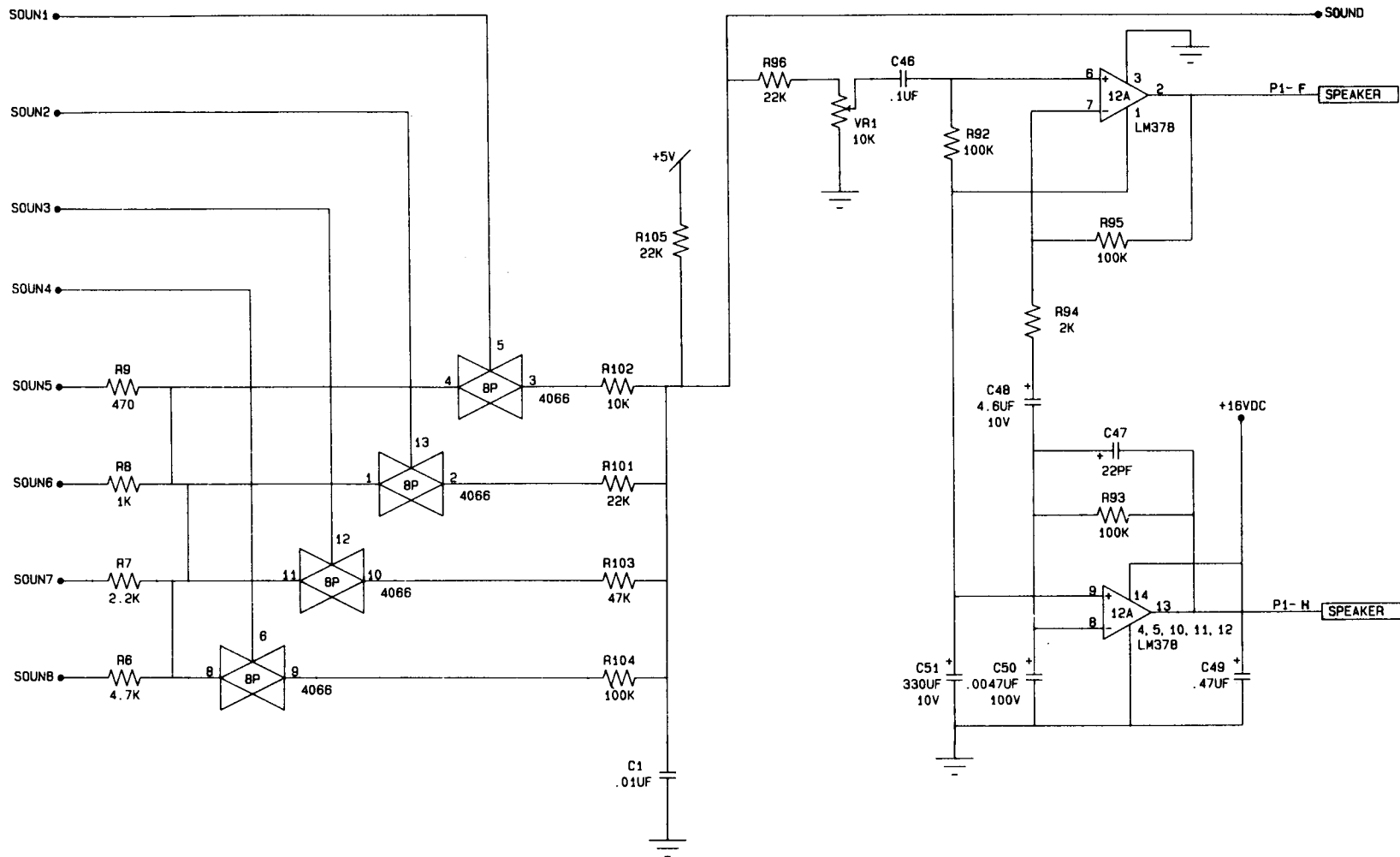
Bally/MIDWAY MFG. CO. FRANKLIN PARK, IL 60131 JR. PACMAN (FIELD KIT) LOGIC P.C. A080-91694-BA29



DIM TOLERANCES UNLESS OTHERWISE SPEC CONCENTRICITY TYP .002 FRACTIONAL ± 1/64 DECIMAL ± .005 HOLE DIA .002 - .000 ANGLE ± 1/2 DO NOT SCALE DWG.	DESIGNED BY JR. PACMAN DATE 11/29/83
	FULL

Bally/MIDWAY MFG. CO. FRANKLIN PARK, IL 60131 JR. PACMAN (FIELD KIT) LOGIC P.C. A080-91694-BA29

SHEET 21 OF 22 PROMPT / STAMP VIDEO REVISIONS PART NO M05-1-00A-29-B014
--



THIS DWG IS CONFIDENTIAL & PROPERTY OF BALLY/MIDWAY MFG. CO.

SHEET 22 OF 22

DIM TOLERANCES UNLESS OTHERWISE SPEC CONCENTRICITY T I R .002 FRACTIONAL ± 1/64 DECIMAL ± .005 HOLE DIA + .002 - .000 ANGLE ± 1/2° DO NOT SCALE DWG.	FIRST USELON JR. PACMAN	DRN TBB	DATE 11/29/83	SCALE FULL
	MECH CHG	MAT		
	ELEC CHG	FINISH		

Bally/MIDWAY MFG. CO.
 FRANKLIN PARK, IL 60131
JR. PACMAN (FIELD KIT)
 LOGIC P.C.
 A080-91694-BA29

AUDIO AMPLIFIER	
REVISIONS	
PART NO	M0-5-1-0-0-A-2-9-B-0-1-4