

This document has been downloaded from:



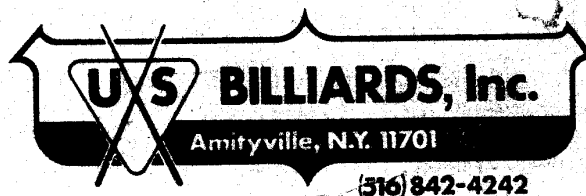
The largest resource for amusement machines
documentation on the world wide web!



FLIPPERSPILL.COM

technical manual for

QUASAR



STARTING OPERATIONS

- Open back door to extract power supply cable.
- Before connecting the game some inspections should be made. These visual inspections are important for the damages which might have been caused during transport.
 1. Check that all connectors are connected.
 2. Check that all mechanical parts are in correct position.
 3. Check that safety switch at the bottom back board works correctly and that is to say:
When assembling back door and closing it slowly one should hear the microswitch contact shut off.
 4. Make sure that earth socket is connected.

INSTALLATION AND MAINTENANCE

The CRT used in our games is like those employed on regular television sets, therefore, please handle with care so as not to damage it.

- Do not set up the game in open and very lighted areas, as the quality of image would be greatly damaged.
- Do not set up the game close to heating sources and keep it 10 cm. from the back wall.
- If, when game is on, no image appears on the screen, check power supply fuses and if connectors are properly connected.
- If the screen is lit up but there is no image, check that C.P.U. board connectors are properly connected.
- If the image slowly moves toward the side, it can be caused by a close magnet or by a transformer which might cause strong wavinesses.

If, the game is turned around itself on power on, it might happen that the image on the screen will change colour. This is caused by the earth magnetic field.

To have the right colours again, only turn off the game for 5 minutes and then turn it on again.

PLEASE DO NOT CHANGE THE IMMATRICULATION LABELS BOTH ON THE CABINET AND ON THE ELECTRONIC BOARDS TO AVOID DISCUSSIONS IN CASE OF SERVICING.

VIDEO GAME "QUASAR" or "NOVA"

DESCRIPTION OF THE GAME

The game consists in ending space missions by overcoming obstacles which appear from time to time, and avoiding enemies which attack player ship.

Each mission is divided in 4 phases (Phase 1,2,3,4)

Each phase is different both for the game and the scenery.

Each time a mission is finished, begins a new mission with greatest difficulties, and thus the player can test his skills forever.

The game can be for one or two players who will alternate each time a ship is hit.

Each player has 2 pushbuttons (or a small lever) to move the ship to the left and right hand side during the first phase and to rotate it during the second and fourth phase, There is a firing pushbutton and one to advance everywhere in the screen.

PHASE 1

During the 1st phase the ship is at the bottom. Flying saucers appear from the top and advance toward the ship. Player has to fast eliminate them because at a given distance they fire missiles. Furthermore the ship slowly rises and risks to be hit from the bottom in case some flying saucers are able to pass below. For each flying saucer hit 20 points are awarded. The number of flying saucers is 8, during the second mission they will become 16.

PHASE 2

During the 2nd. phase the ship can be moved all around the monitor with pushbuttons. This ship can be therefore rotated around itself or can advance. Enemies during this phase are of two different kind and arrive at random to the left and right hand side. The score (3000) is indicated at the top right hand side. It is the quantity of energy supply available and will decrease automatically each time the player fires a missile. In case the energy supply exhausts itself before having eliminated all the enemies, player ship will explode and the game will start again the 2nd. phase. If, on the contrary, the player succeeds and eliminates all his enemies, the remaining energy supply will be summed up to the player score. There are, during this phase, 8 enemies, in the 2nd. mission they will become 16 with power supply of 5000. For each ship hit 30 points are awarded.

PHASE 3

During the 3rd. phase there is at the top a big star ("QUASAR" or "NOVA") with an eye at the centre. This star sends a light beam to the player ship which is at the bottom. The star and the light beam move to the left and right hand side and the player has to keep the ship within the light beam in order to be attracted toward the star avoiding the meteorites which he encounters during his trip. When the eye of the star is hit the advancing speed increases. If the ship leaves the light beam it will be automatically drawn back. The light beam become thinner as time goes by. The star has therefore to be reached before the time exhausts itself, this has to be done in order to start the 4th phase. If the light beam exhausts itself the ship will explode and the game will start at the 1st. phase, if, on the contrary, the ship is hit by a meteorite the same will explode and the game will start at the 3rd. phase.

PHASE 4

During the 4th. phase the player ship is at the centre and is attacked by enemies appearing from everywhere which convey toward the centre. Player has to hit all enemies rotating around itself before they touch his ship. The ship will explode if an enemy has reached it and the game will start from the beginning of the 4th. phase. The ship movement is always toward the enemies, that is to say, every rotating movement made by the player with the ship is always in the direction of the enemies. For each enemy shot 100 points are awarded. The number of missions brought to an end is indicated with a asterisk over corresponding player score. Game is over when all available ships are finished. Extended play can be programmed (1 extra ship) at 5500 points or 7500 points or 9500 points. Free play can be programmed only on random high score in one of the 4 range of scores which are:
10.000 + 11.500. or 12.500 - 14.000. or 15.000 + 16.500. or 17.500 + 19.000.

SWITCHES ADJUSTMENT

SWITCH 1 «3M»								
	1	2	3	4	5	6	7	8
Coin mechanism 1			ON ON OFF ON ON OFF OFF OFF					
Coin mechanism 2	ON ON OFF ON ON OFF OFF OFF							
N° Rockets					ON ON OFF ON ON OFF OFF OFF			
SERVICE							ON OFF	Normal game Free game ON "Test" collis. excl. OFF "Game" collis. incl.

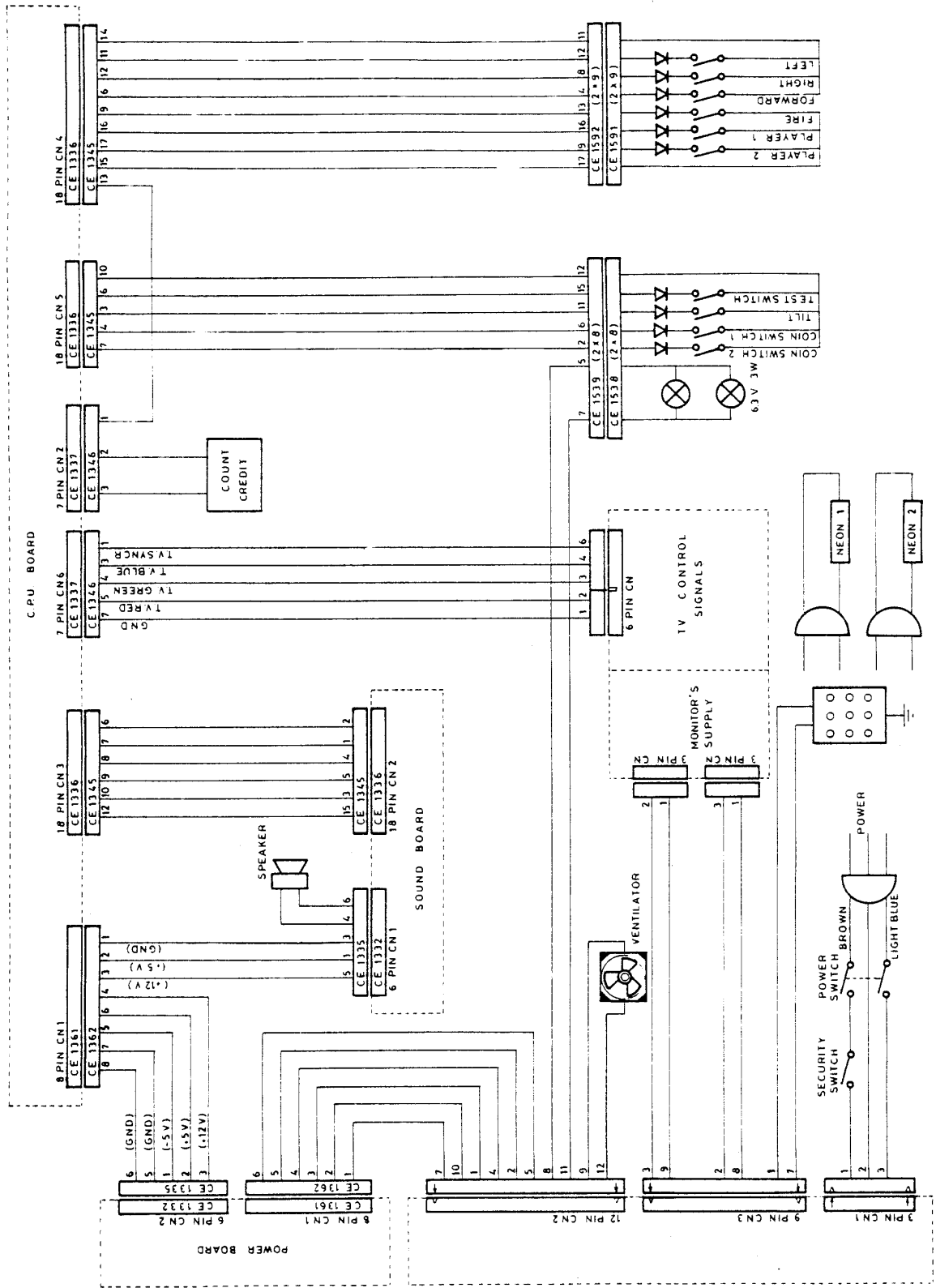
SWITCH 2 «3N»								
	1	2	3	4	5	6	7	8
High score (H.S.)	ON OFF OFF OFF OFF	X OFF ON OFF ON	X ON OFF OFF ON					
Game difficulties				ON OFF ON OFF	ON ON OFF OFF			
Extended play						ON OFF ON OFF	ON ON OFF OFF	
OPTIONAL							ON OFF	Rocket leaves the screen Rocket stops at sides

Note : X = ON or OFF condition is the same

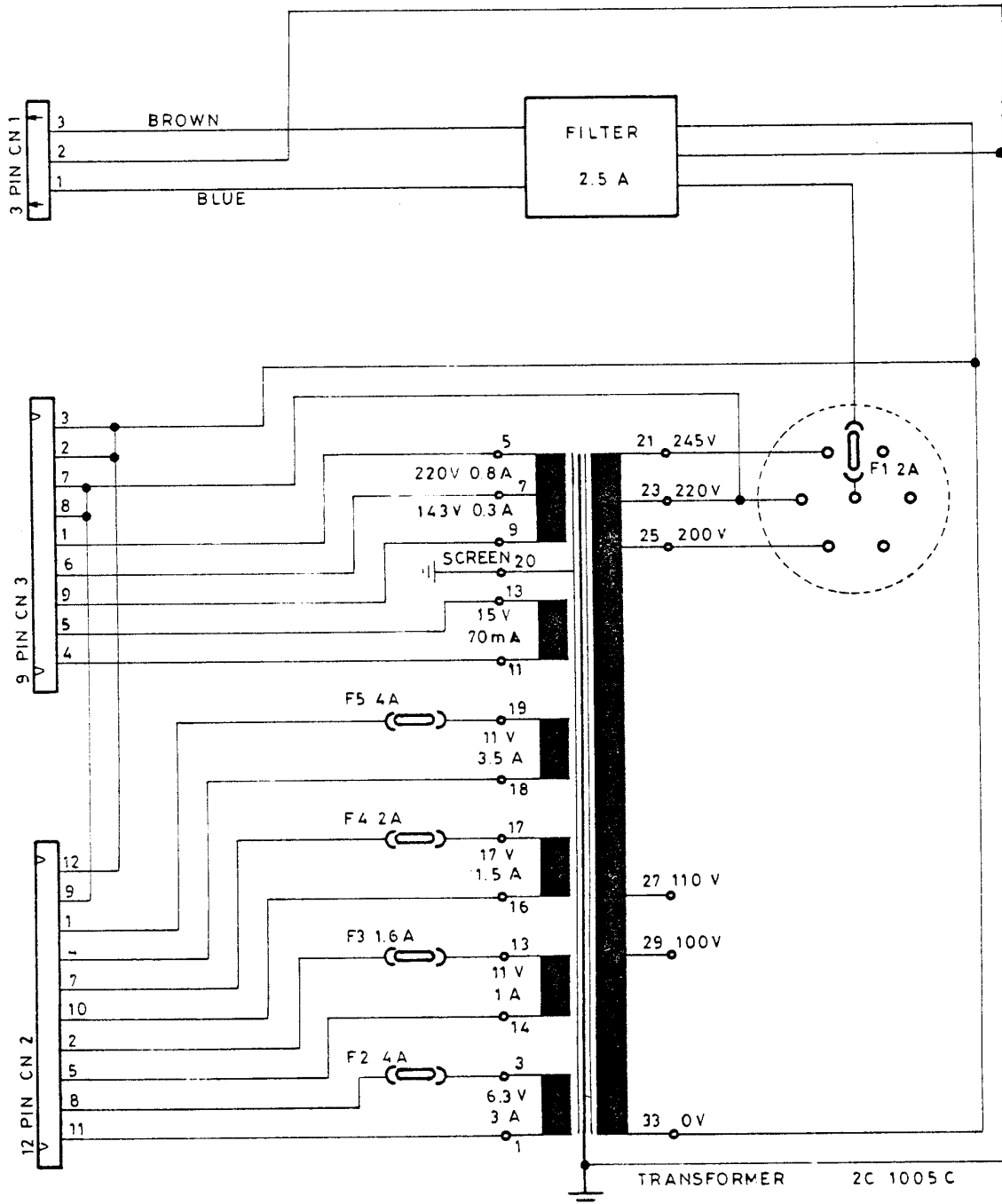
SOUND SWITCH				
1	2	3	4	
ON				Test
OFF		ON	OFF	Quasar Sound

Notes:
1) Switch 2 is not used
2) Do Not use other combination

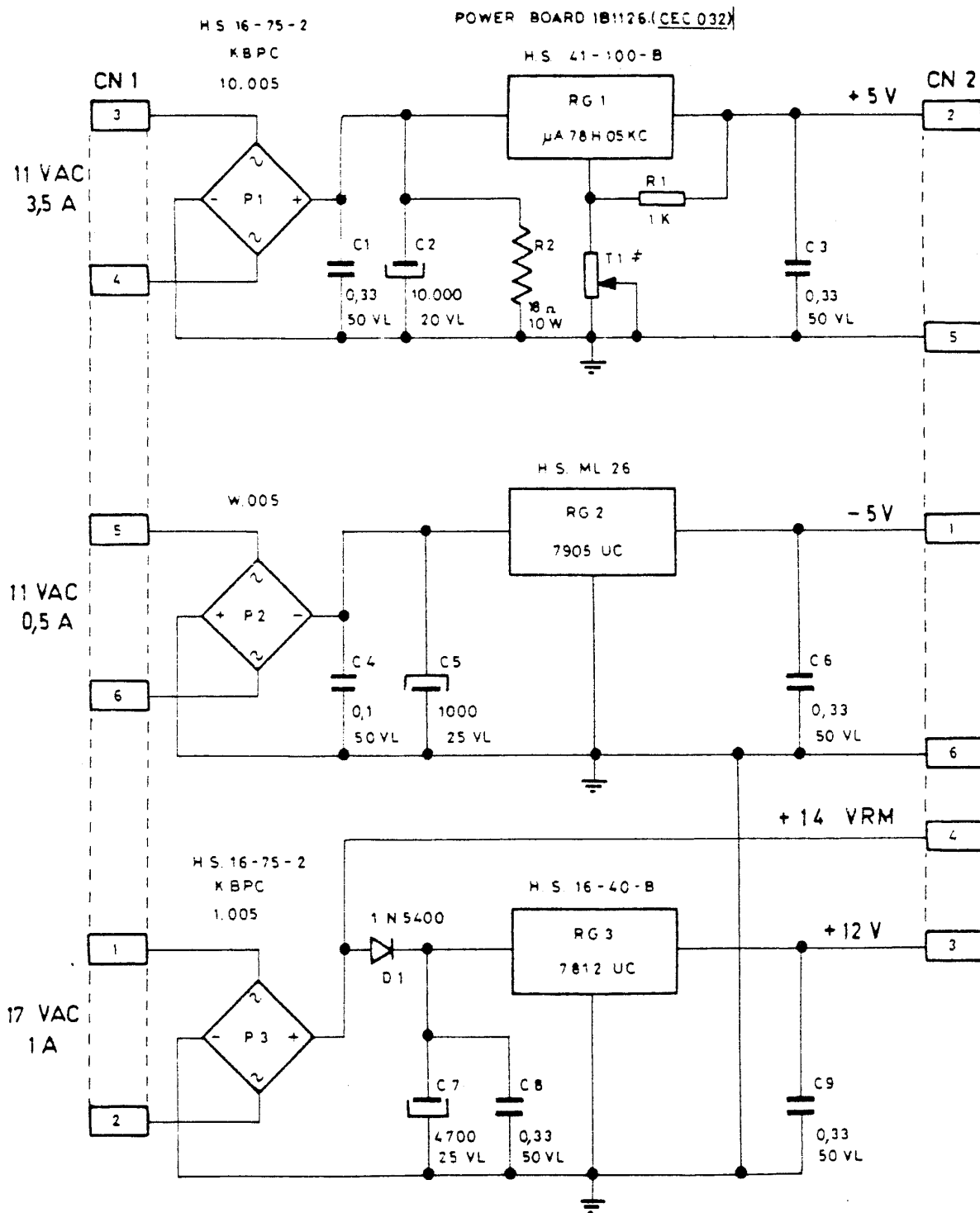
WIRING DIAGRAM FOR QUASAR



POWER TRANSFORMER FOR QUASAR

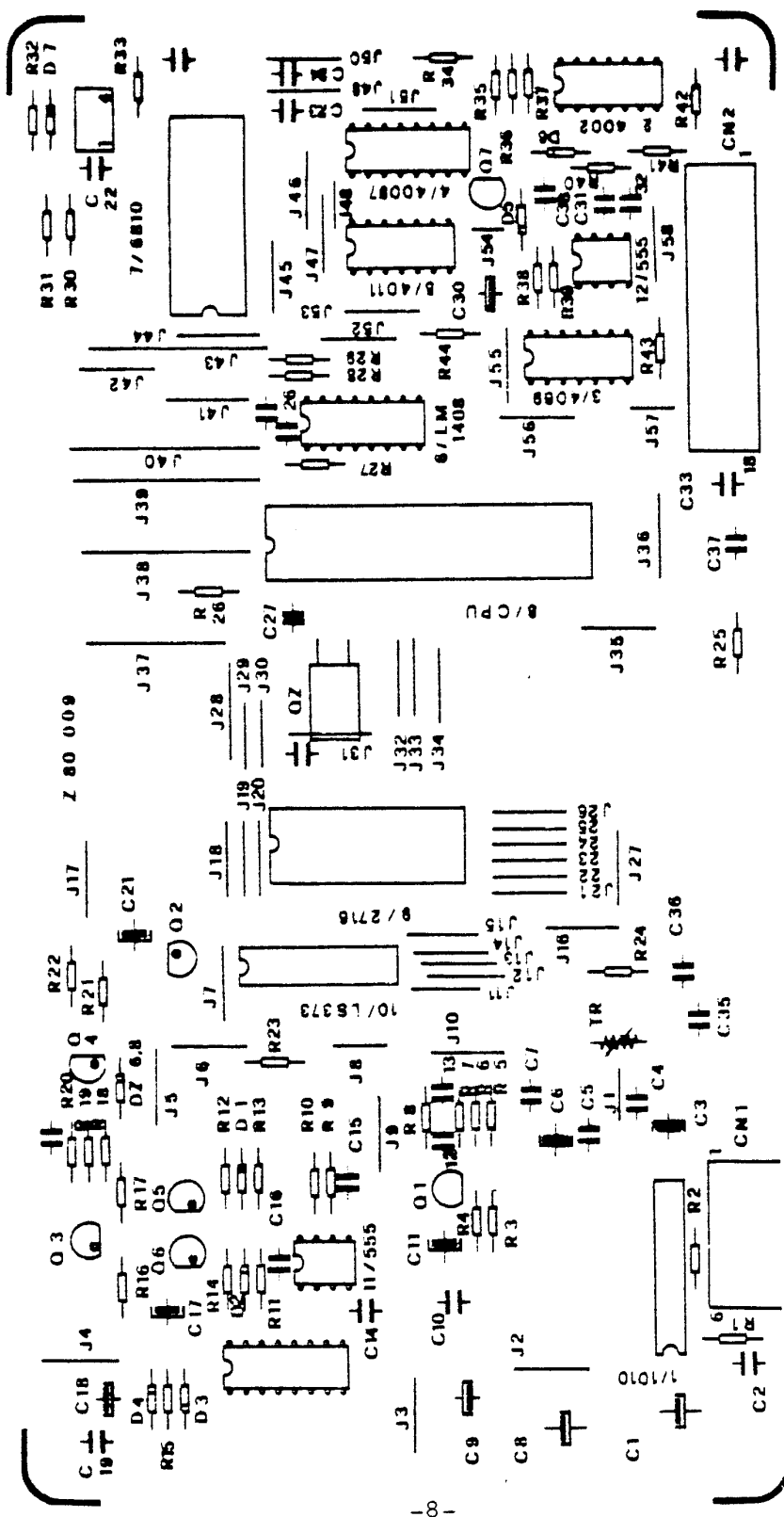


POWER SUPPLY FOR QUASAR

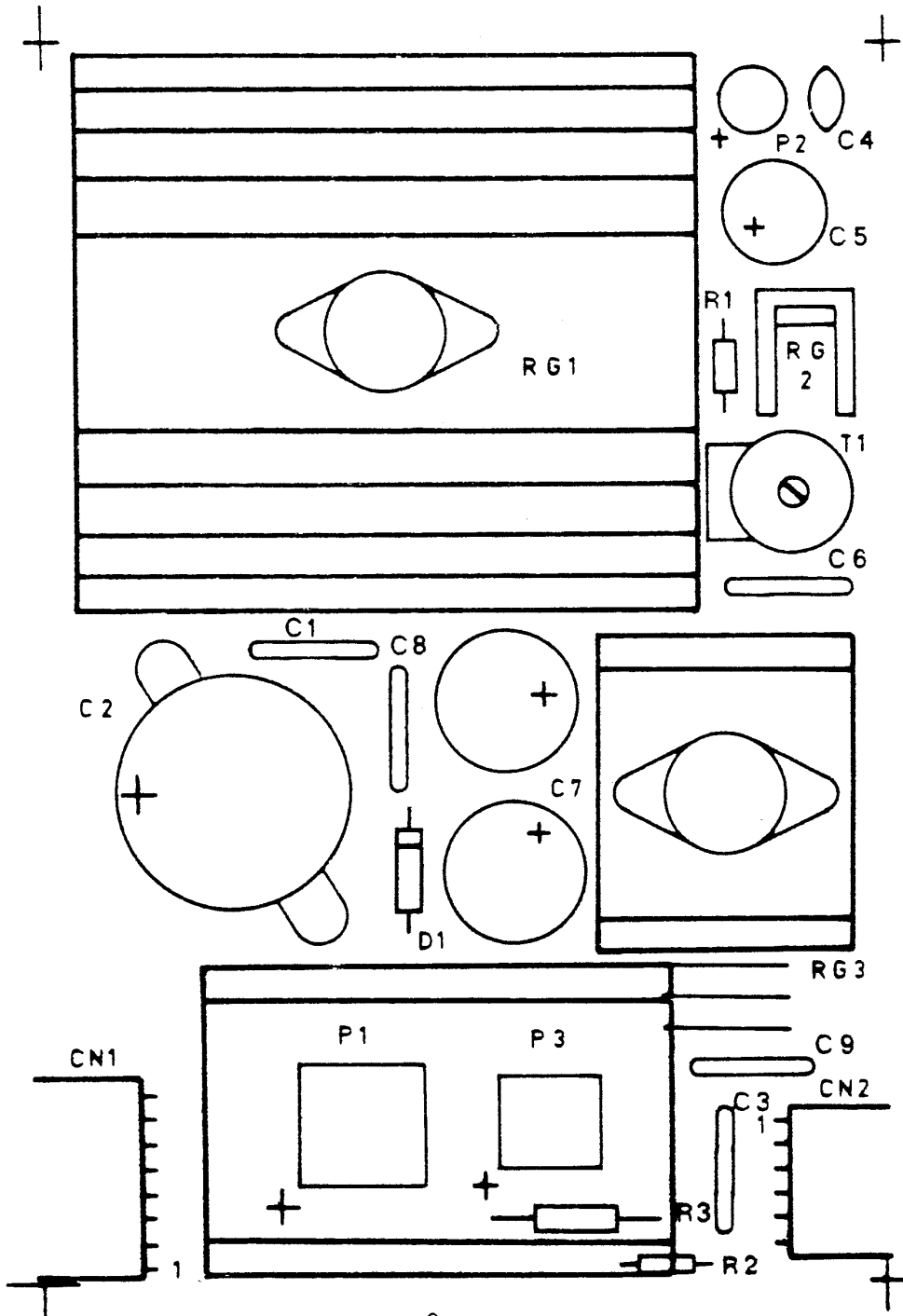


± 47 Ω TRIMMER or 22 Ω 1/4 W 5% RESISTOR

AUDIO BOARD FOR QUASAR



POWER SUPPLY PARTS LAYOUT DIAGRAM - QUASAR



PARTS LISTING - QUASAR

<u>Part #</u>	<u>Description</u>
521	Coin Chute (25¢)
335	Dutch Cash Door, Frame with Cash Box
338	Cash Box Only for Dutch Cash Door
7002	Leg Leveler - each
11700	Back Service Door
11701	Speaker Grill - 6"x9"
11702	TV Monitor Cardboard Mask
11703	TV Monitor Cardboard Side Panel - Right
11704	TV Monitor Cardboard Side Panel - Left
11705	Plastic Header Screened
11706	Instruction Decal
11707	Front Plastic Window - 23-1/2x17-1/2x3/16
11708	Frame for Front Plastic Window
11709	Decal, Side - Right
11710	Decal, Side - Left
11711	Instruction Manual
11712	Schematic Booklet

METAL PARTS

11763	Control Panel complete with buttons
11713	Control Panel with graphics without buttons
11762	Graphics alone for Control Panel
11714	California Switch Bracket
11715	PC Board perforated metal screen
11716	Plastic Header Holding Spring
11717	Rear Monitor Support Strap
11718	Rear Monitor Plate

TRIM

11719	Black T-Moulding for one side - 128"
11720	Aluminum Trim - 24"
11721	Black T-Moulding - 24"

LOCKS

1486	Random Lock with Key & Hardware
1487	#1150 Lock with Key & Hardware

INSTRUCTIONS & LABELS

2949	"Caution High Voltage"
------	------------------------

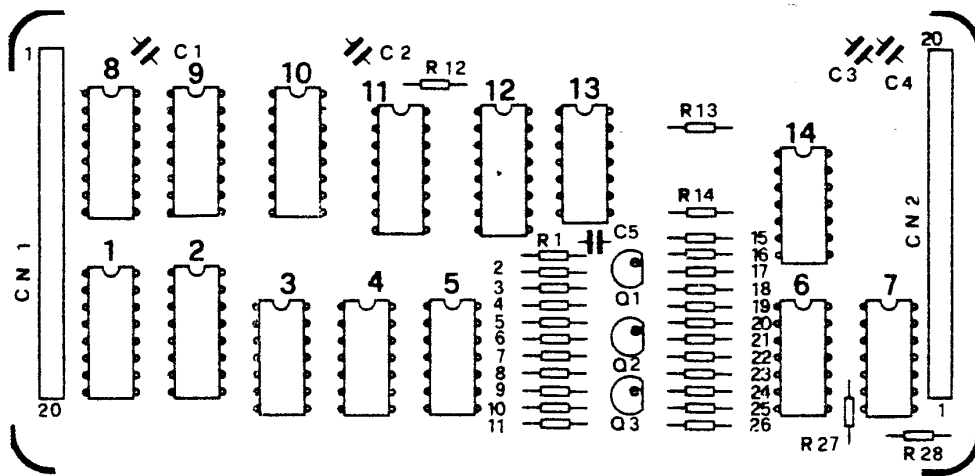
PARTS LIST - QUASAR (continued)

ELECTRICAL PARTS

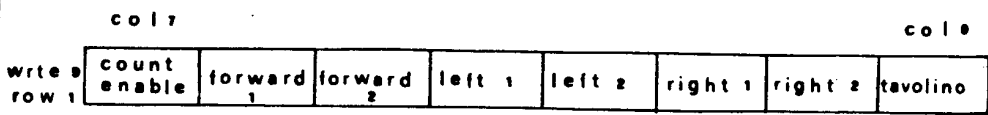
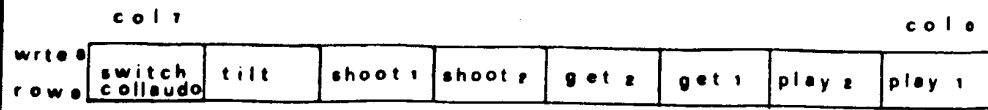
11722 Complete Game Board
 11723 Complete Audio Board
 11724 Bulb for Coin Chute - 63V
 11725 Red Push Button Assembly (Fire)
 11726 White Push Button Assembly (Player 1, Player 2)
 11727 Green Push Button Assembly (Aim)
 11728 Leaf Switch For Push Buttons & Holder Assembly
 11729 Holder for Push Buttons
 11730 Color Monitor
 11731 Speaker - 6"x9"
 11732 Power Supply Complete
 11733 P1, 50V, 10 Amp Bridge (KBPC 10-005)
 11734 P2, 50V, 1 Amp Bridge (W-005)
 11735 P3, 50V, 3 Amp Bridge (KBPC 1-005)
 11736 RG1, +5V, 5 Amp Regulator (MA 78H05KC)
 11737 RG2, -5V, 1 Amp Regulator (MA 7905UC)
 11738 RG3, +12V, 1 Amp Regulator (MA 7812UC)
 11739 D1, IN 5400 Diode
 11740 C1,2,3,6,8,9 - .33MF 50V Cap
 11741 C2-10000MF 16V CAP
 11742 C4-.1MF 50V CAP
 11743 C5-100MF 25V CAP
 11744 C7-2200MF 25V CAP
 11745 R1-1K $\frac{1}{4}$ W
 11746 R2-18 Ohm 20W
 11747 T1-470 Ohm 1 Turn Vertical Trimmer (22 Ohm $\frac{1}{4}$ Watt)
 11748 Transformer Group Complete
 11749 110 or 220 Multitap Transformer - 2C 1005C
 11750 110 to 220 Step Up Transformer - 130 VA
 11751 Line Filter SIEMENS B81931-B-B1
 11752 F1 Line Adjuster with 4A Fuse (Special Small Size)
 11753 Fuses F2 4A
 11754 Fuses F3 1.6A
 11755 Fuses F4 2A
 11756 Fuses F5 4A
 11757 Fan - 220V B7240
 11758 AC on Power Switch A4425
 11759 California Switch - B5050
 11760 Wiring Harness Complete
 10110 Fluorescent Fixture
 10111 Fluorescent Bulb
 2356 6 Volt DC Counter
 10529 Triple Outlet

HARDWARE

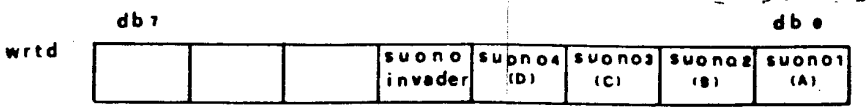
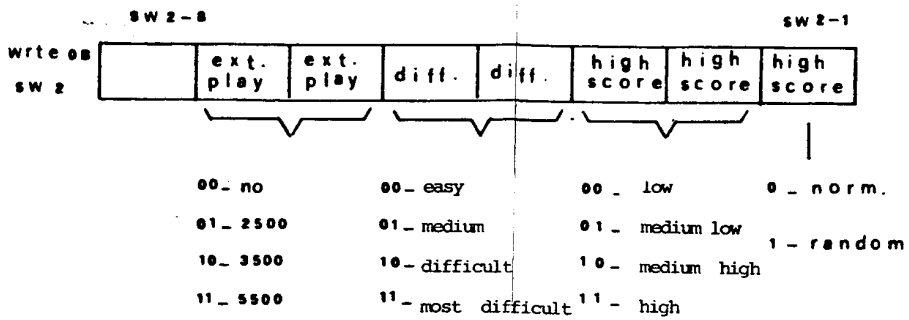
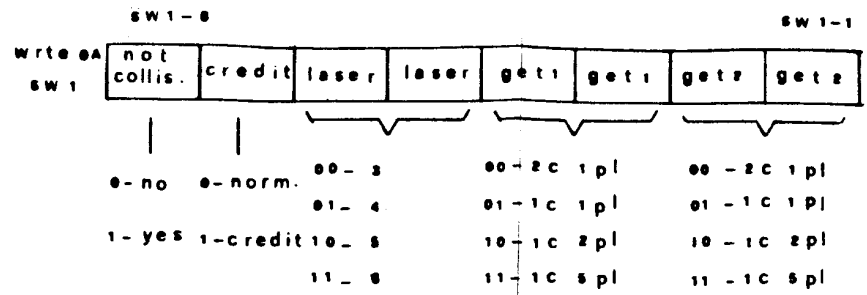
11761 Pal Nut for Push Button Switch
 1296 3/18-16 T-Nut Pronged (for Leg Leveler)



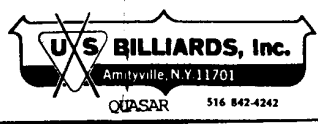
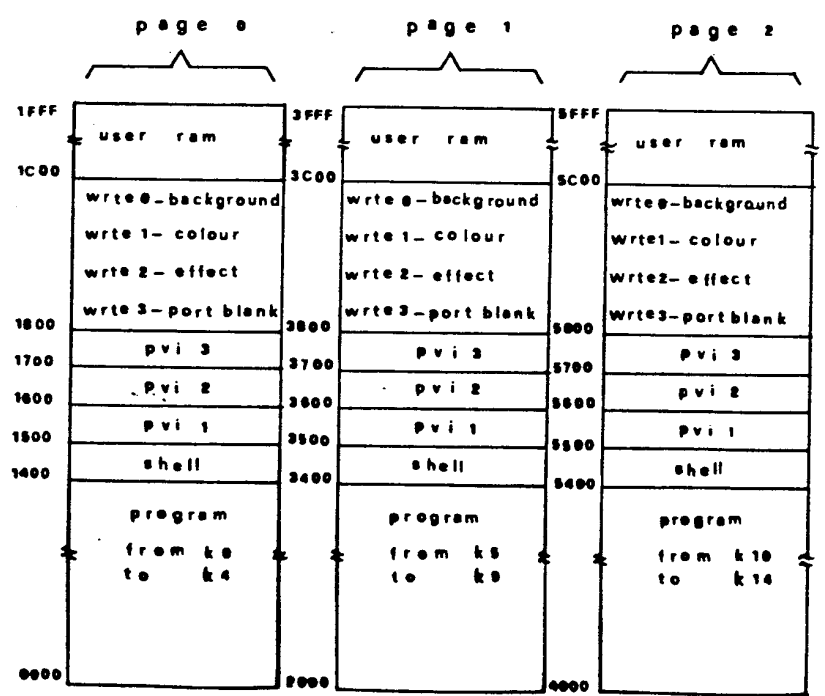
Auxiliary Board on Game Mother Board for Quasar

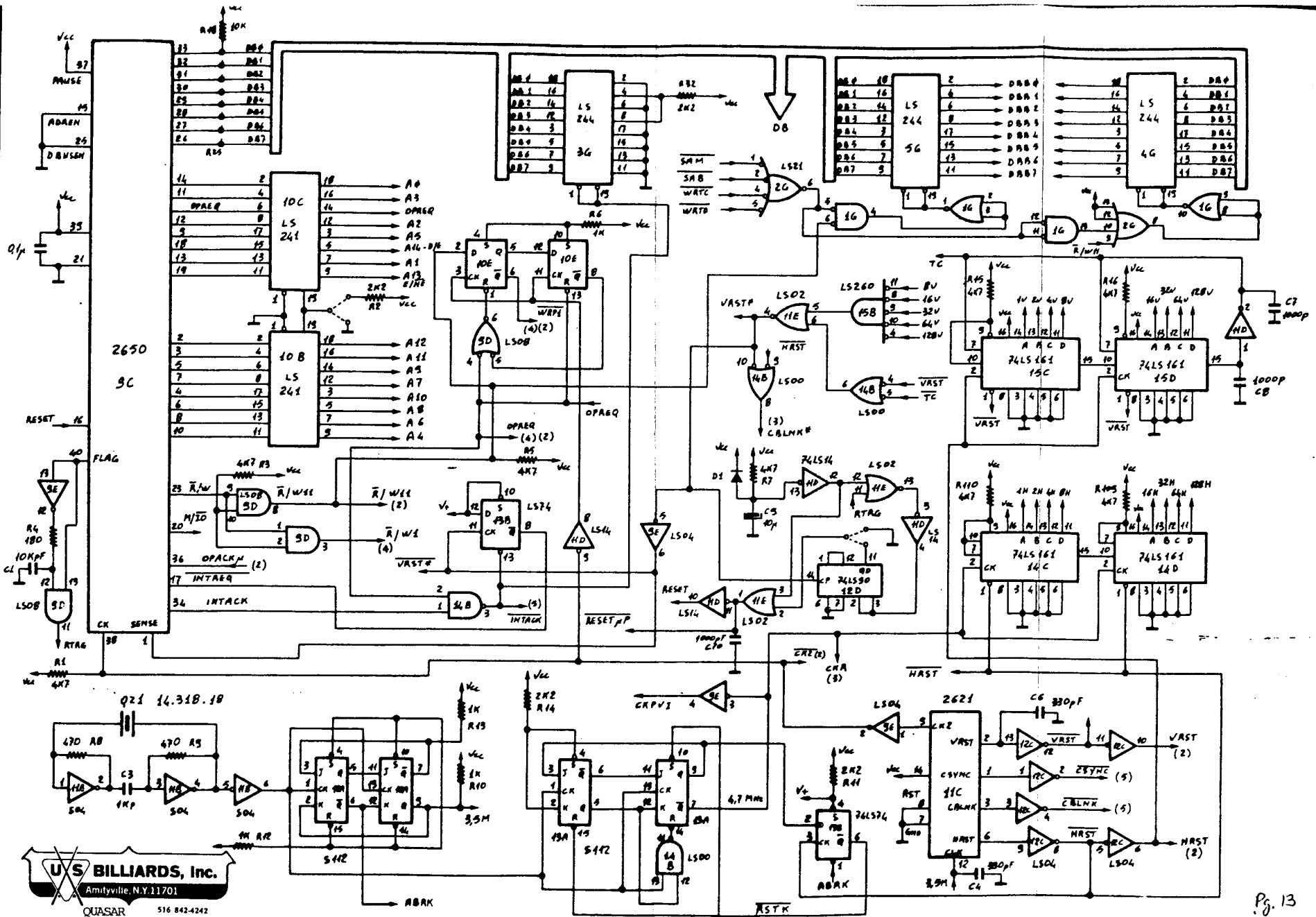


row 0 - row 1 - sw 1 - sw 2 = ext read

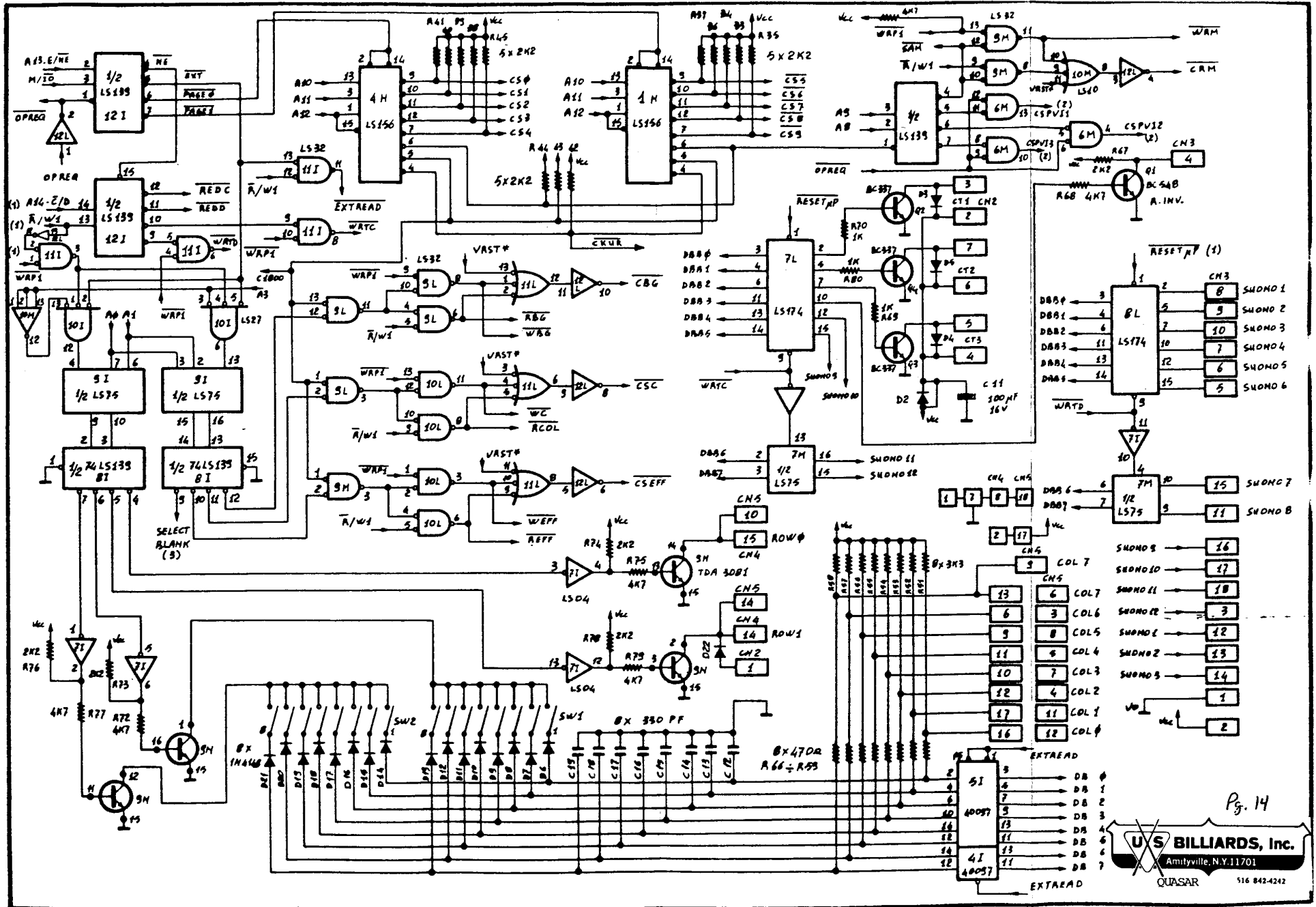


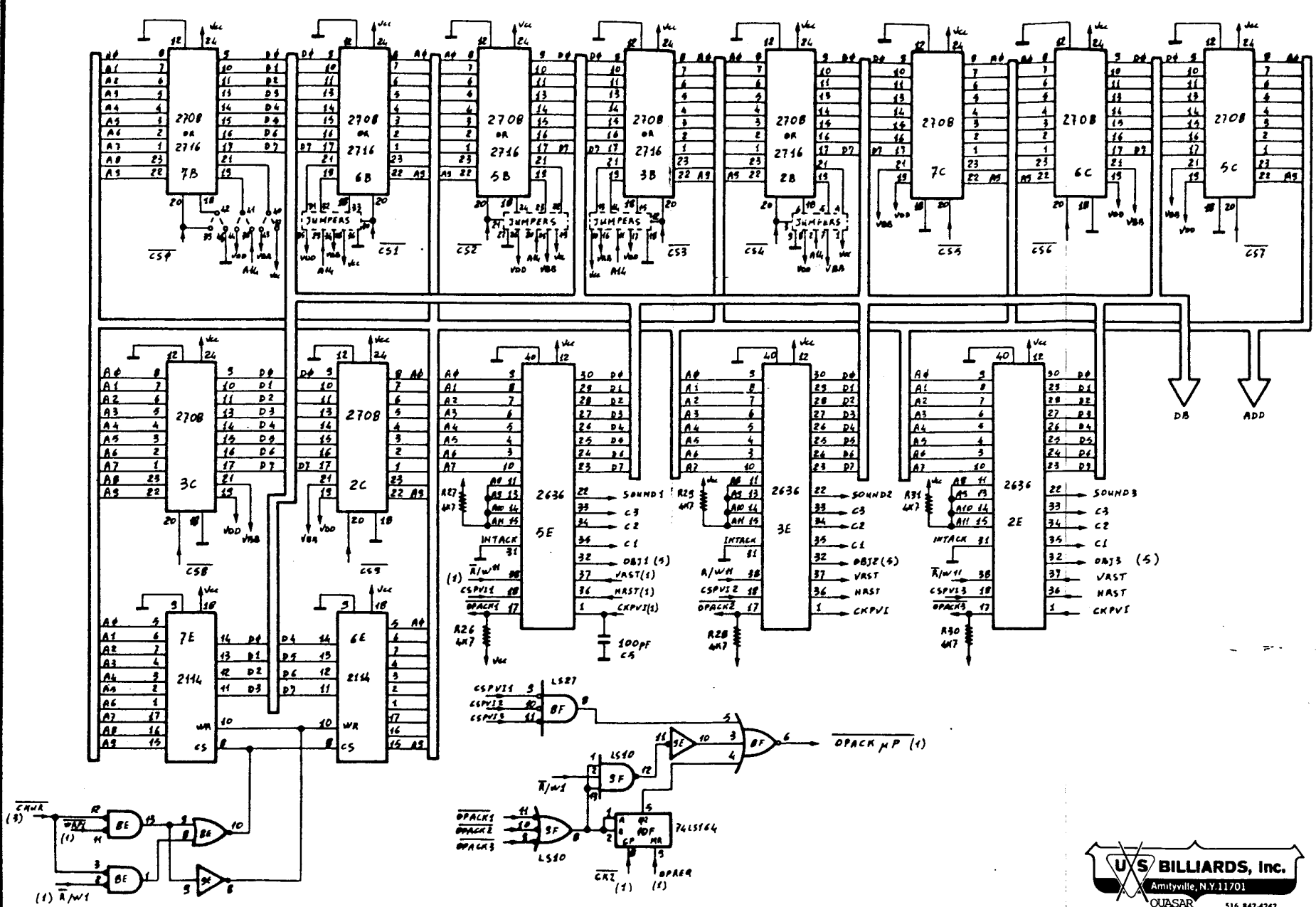
MEMORY MAP AND I/O MAP

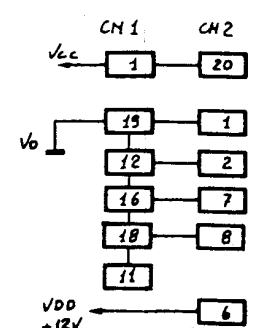
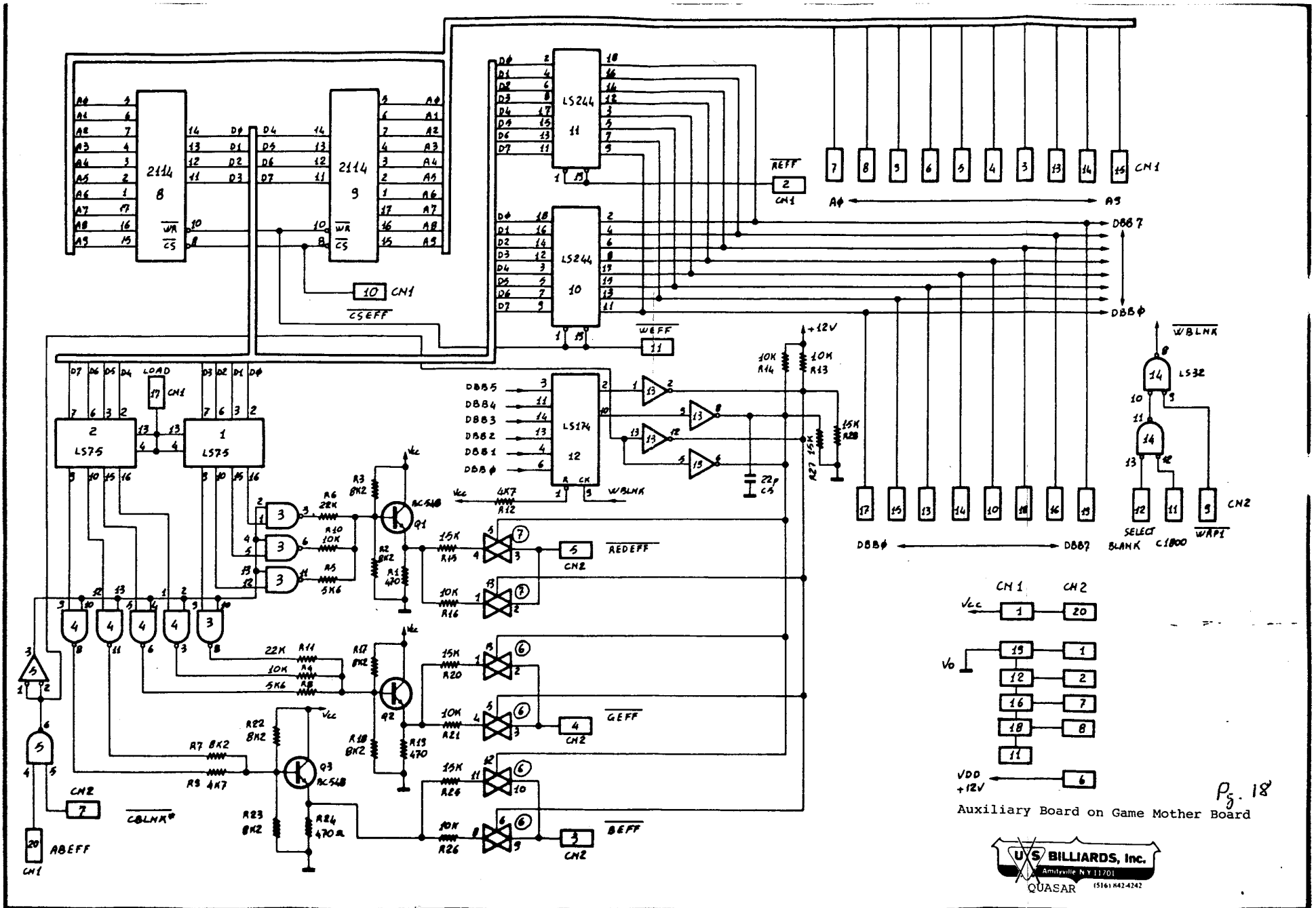




U.S. BILLIARDS, Inc.
 Amityville, N.Y. 11701
 QUASAR 516 842-4242







Auxiliary Board on Game Mother Board



