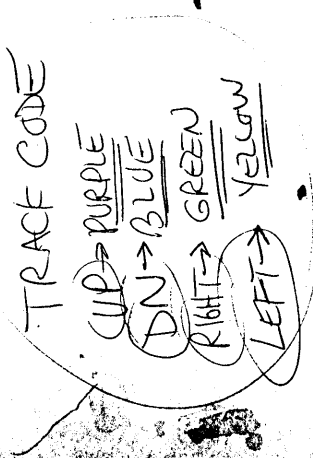
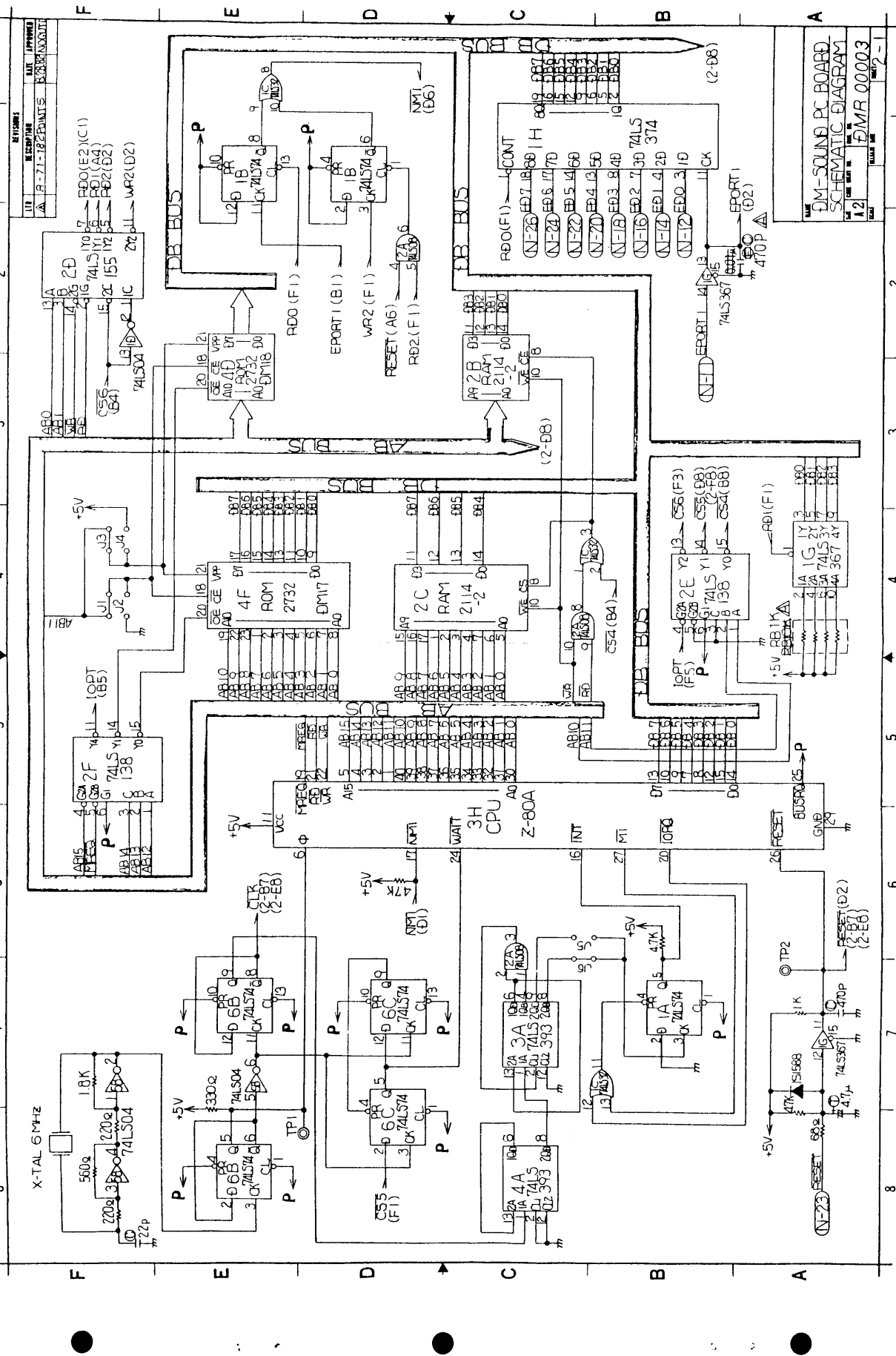


BIRDIE-KING II

Schematics and Wiring Diagrams



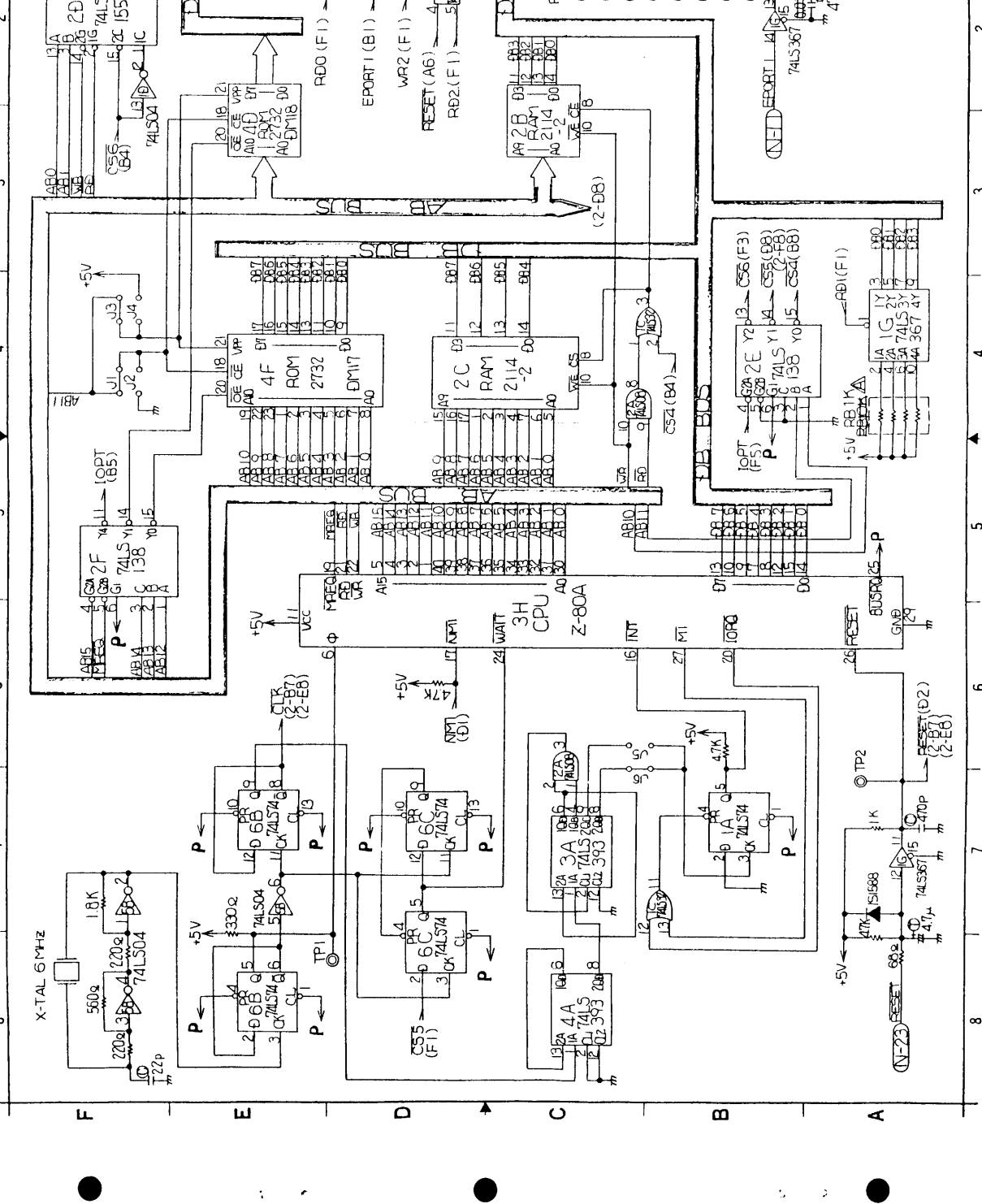
Distributed by:
MONROE Distributing Inc.
2999 Payne Avenue
Cleveland, Ohio 44114
Licensed by *Corn-It Co.*



REVISIONS

REV	DESCRIPTION	DATE	APPROVED
1	A - Z-80 PC BOARD SCHEMATIC DIAGRAM		

Z-80 PC BOARD SCHEMATIC DIAGRAM
 FILE NO. 00003
 DATE 12/1/82



REVISIONS

REV	DESCRIPTION	DATE	APPROVED
1	A - Z-80 PC BOARD SCHEMATIC DIAGRAM		

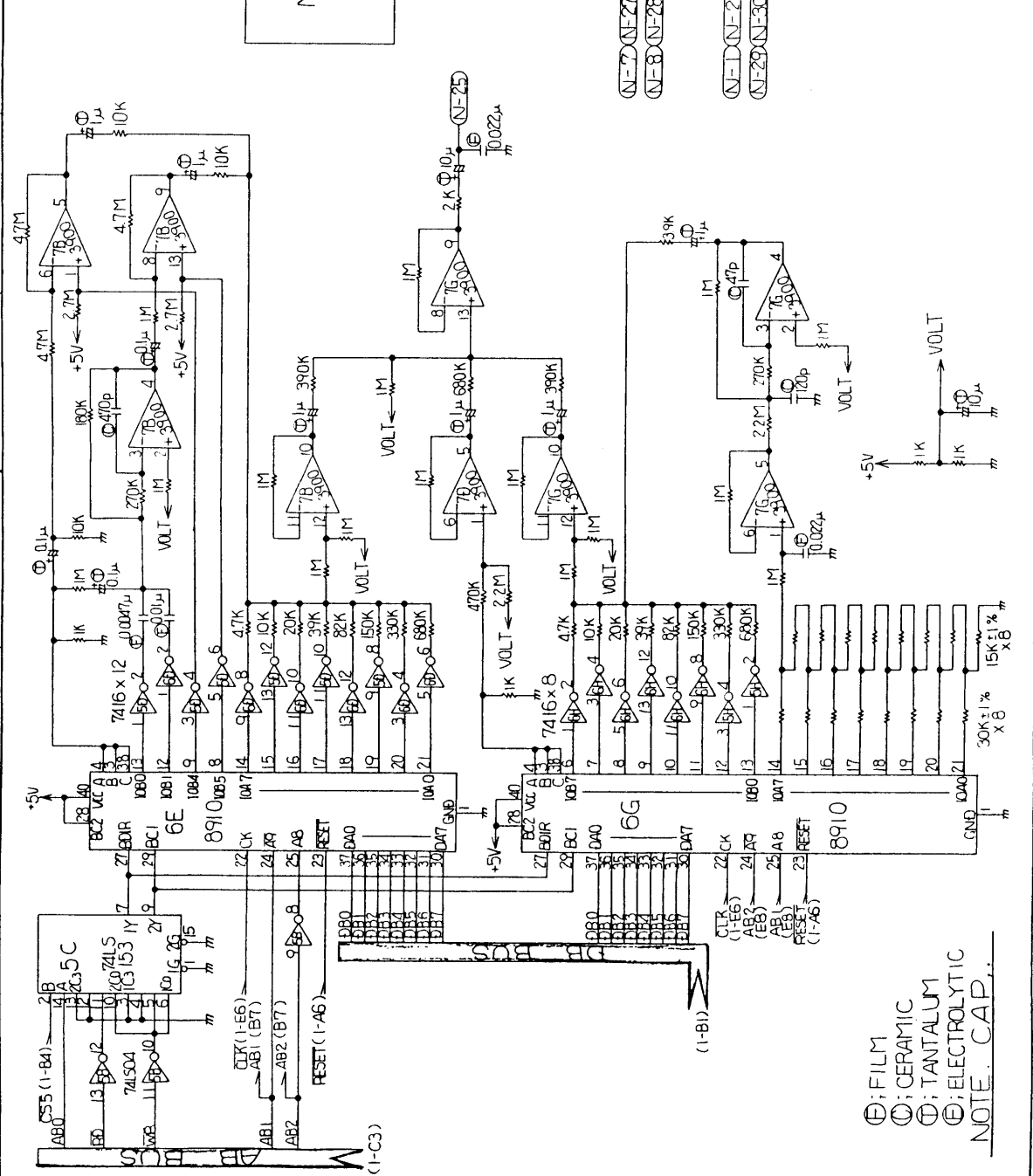
Z-80 PC BOARD SCHEMATIC DIAGRAM
 FILE NO. 00003
 DATE 12/1/82

Setting	Position	1 WAY (LEFT)				2 WAY (RIGHT)			
		1	2	3	4	5	6	7	8
* 1 Coin - 1 Play		ON	ON	ON	ON	ON	ON	ON	ON
1 Coin - 2 Plays		OFF							
1 Coin - 3 Plays		ON	OFF			ON	OFF		
1 Coin - 4 Plays		OFF							
1 Coin - 5 Plays		ON	ON	OFF		ON	ON	OFF	
1 Coin - 6 Plays		OFF							
1 Coin - 7 Plays		ON	OFF			ON	OFF		
1 Coin - 8 Plays		OFF							
2 Coins - 1 Play		ON	ON	OFF	ON	ON	OFF		
3 Coins - 1 Play		OFF							
4 Coins - 1 Play		ON	OFF		ON	OFF			
5 Coins - 1 Play		OFF							
6 Coins - 1 Play		ON	ON	OFF	ON	ON	OFF		
7 Coins - 1 Play		OFF							
8 Coins - 1 Play		ON	OFF		ON	OFF			
9 Coins - 1 Play		OFF							

Setting		Position		1	2	3	4	5	6	7	8					
Appearance of Crow *	Without			ON			OFF									
	With			OFF												
The hole from which a crow appears and flies with drawing a circle or a 8-shape in the air. *	Circle 1,7,11,15,18 8-shape 3,5,9,13,17				ON	ON										
	Circle 4,7,13,18 8-shape 1,10,16,17				ON	OFF										
	Circle 1,10,16,18 8-shape 4,7,13,17				OFF	ON										
	Circle 3,5,9,13,18 8-shape 1,7,11,15,17				OFF	OFF										
Coin Display *	No Display											ON				
	Display											OFF				
Year Display *	No Display									ON						
	Display									OFF						
Check *	Check									ON						
	Normal									OFF						
Coin System *	1 Way									ON						
	2 Way									OFF						

. Factory Adjustment: *

REV	DESCRIPTION	DATE	APPROVED

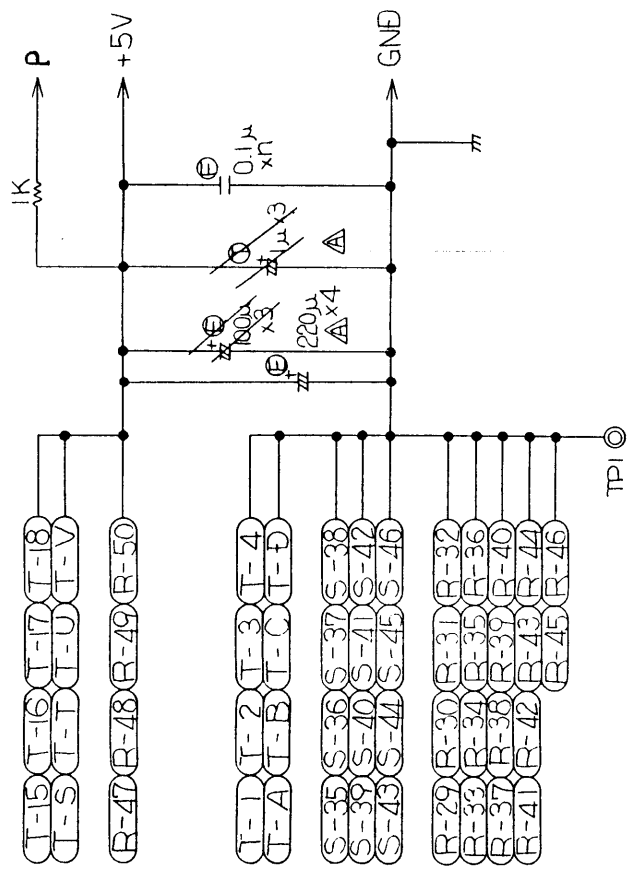


REV	DESCRIPTION	DATE	APPROVED

- ⊖; FILM
 - ⊙; CERAMIC
 - ⊕; TANTALUM
 - ⊗; ELECTROLYTIC
- NOTE: CAP.

DM-SOUND PC BOARD
SCHEMATIC DIAGRAM
DMR 00003
REV 2-2

REVISIONS		
CTR	DESCRIPTION	DATE APPROVED
A	2 POINT S-71-15	17.88.82
		10060041

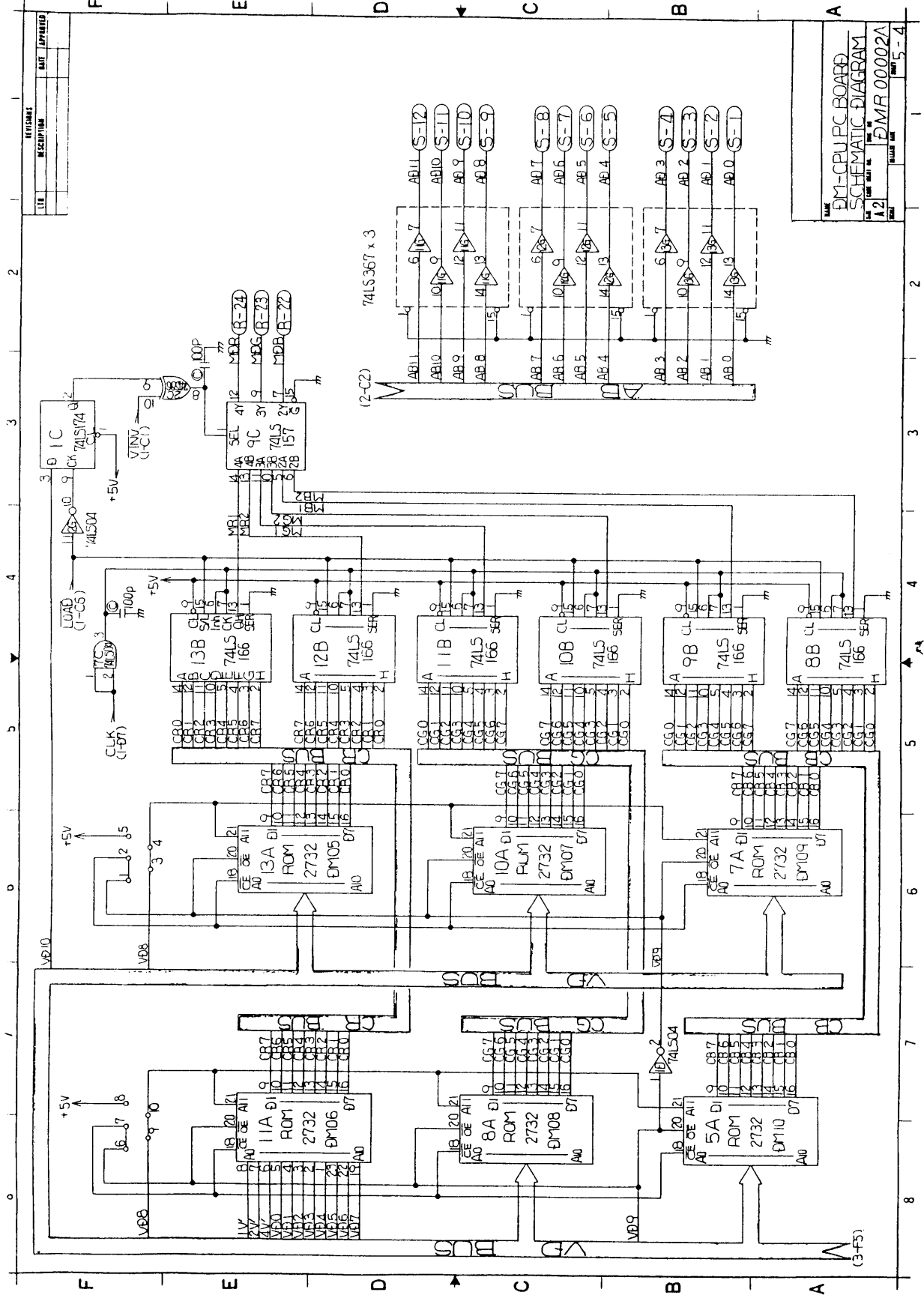


- ⓔ ; ELECTROLYTIC
- Ⓣ ; TANTALUM
- ⓔ ; FILM
- ⓐ ; CERAMIC

NOTE. CAP.

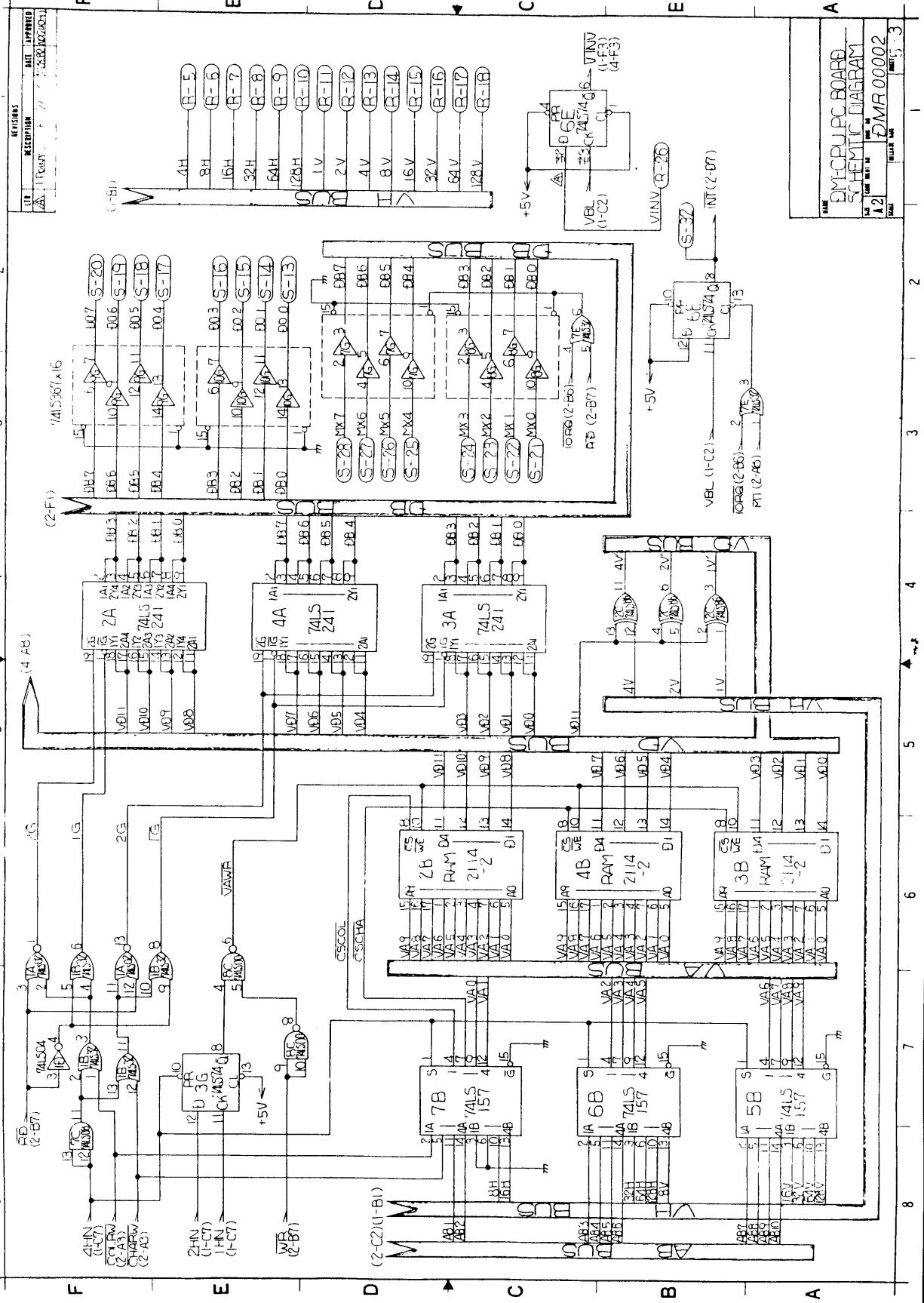
NAME	EM-CPU PC BOARD		
SIZE	FORM NO.	REV. NO.	DATE
A 3		DMR 00002	5-5
SCALE	RELEASE DATE		

REV	DESCRIPTION	DATE APPROVED



EM-CPU PC BOARD
SCHEMATIC DIAGRAM
EMR 00002A
REV 5-4

(3-F5)

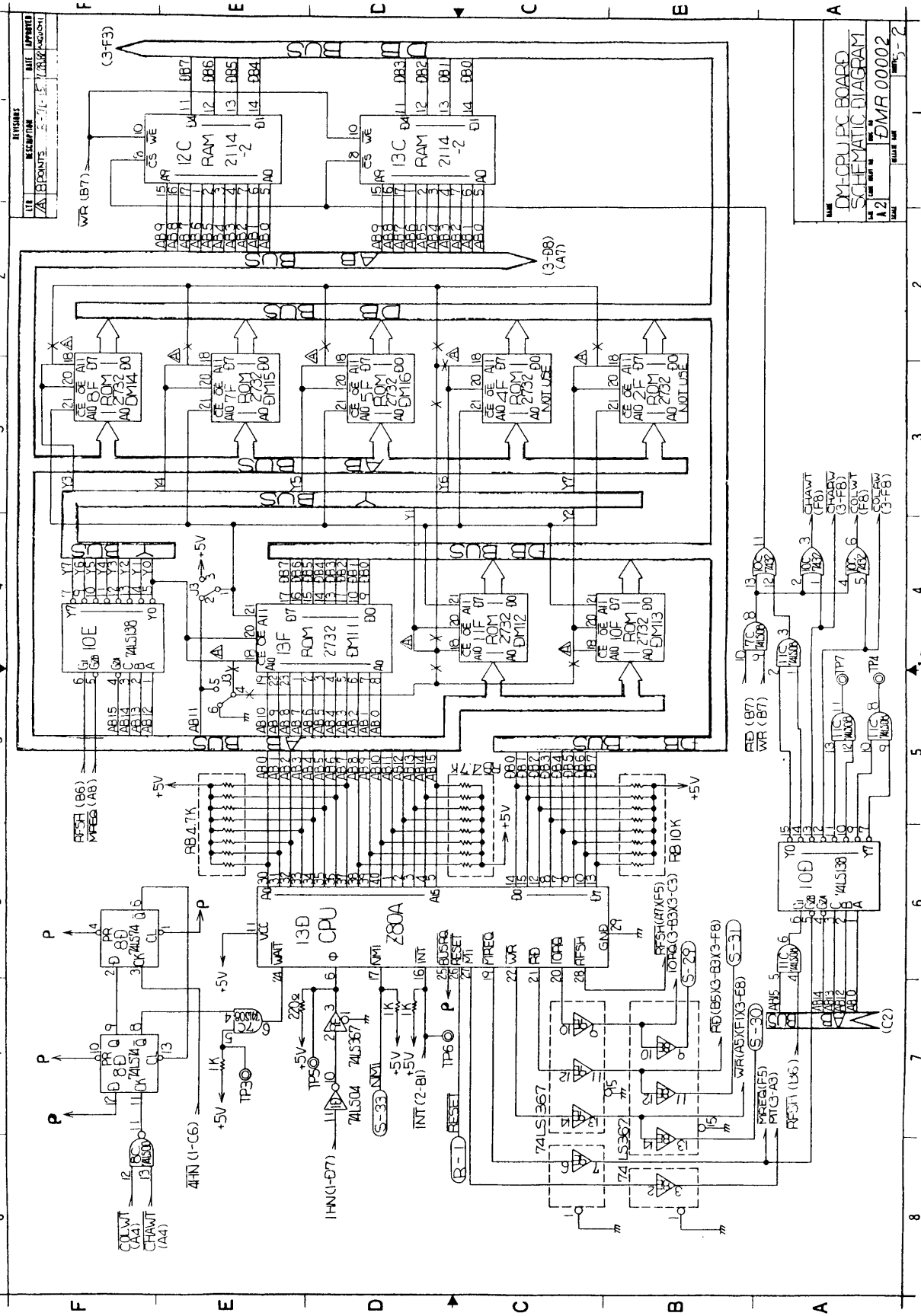


REV	DESCRIPTION	DATE	APPROVED
1	INITIAL	7/77	3382/000001

REF ID	DESCRIPTION	QUANTITY
1-C2	ROM (128)	1
1-C3	ROM (128)	1
1-C4	ROM (128)	1
1-C5	ROM (128)	1
1-C6	ROM (128)	1
1-C7	ROM (128)	1
1-C8	ROM (128)	1
1-C9	ROM (128)	1
1-C10	ROM (128)	1
1-C11	ROM (128)	1
1-C12	ROM (128)	1
1-C13	ROM (128)	1
1-C14	ROM (128)	1
1-C15	ROM (128)	1
1-C16	ROM (128)	1
1-C17	ROM (128)	1
1-C18	ROM (128)	1
1-C19	ROM (128)	1
1-C20	ROM (128)	1
1-C21	ROM (128)	1
1-C22	ROM (128)	1
1-C23	ROM (128)	1
1-C24	ROM (128)	1
1-C25	ROM (128)	1
1-C26	ROM (128)	1
1-C27	ROM (128)	1
1-C28	ROM (128)	1
1-C29	ROM (128)	1
1-C30	ROM (128)	1
1-C31	ROM (128)	1
1-C32	ROM (128)	1
1-C33	ROM (128)	1
1-C34	ROM (128)	1
1-C35	ROM (128)	1
1-C36	ROM (128)	1
1-C37	ROM (128)	1
1-C38	ROM (128)	1
1-C39	ROM (128)	1
1-C40	ROM (128)	1
1-C41	ROM (128)	1
1-C42	ROM (128)	1
1-C43	ROM (128)	1
1-C44	ROM (128)	1
1-C45	ROM (128)	1
1-C46	ROM (128)	1
1-C47	ROM (128)	1
1-C48	ROM (128)	1
1-C49	ROM (128)	1
1-C50	ROM (128)	1
1-C51	ROM (128)	1
1-C52	ROM (128)	1
1-C53	ROM (128)	1
1-C54	ROM (128)	1
1-C55	ROM (128)	1
1-C56	ROM (128)	1
1-C57	ROM (128)	1
1-C58	ROM (128)	1
1-C59	ROM (128)	1
1-C60	ROM (128)	1
1-C61	ROM (128)	1
1-C62	ROM (128)	1
1-C63	ROM (128)	1
1-C64	ROM (128)	1
1-C65	ROM (128)	1
1-C66	ROM (128)	1
1-C67	ROM (128)	1
1-C68	ROM (128)	1
1-C69	ROM (128)	1
1-C70	ROM (128)	1
1-C71	ROM (128)	1
1-C72	ROM (128)	1
1-C73	ROM (128)	1
1-C74	ROM (128)	1
1-C75	ROM (128)	1
1-C76	ROM (128)	1
1-C77	ROM (128)	1
1-C78	ROM (128)	1
1-C79	ROM (128)	1
1-C80	ROM (128)	1
1-C81	ROM (128)	1
1-C82	ROM (128)	1
1-C83	ROM (128)	1
1-C84	ROM (128)	1
1-C85	ROM (128)	1
1-C86	ROM (128)	1
1-C87	ROM (128)	1
1-C88	ROM (128)	1
1-C89	ROM (128)	1
1-C90	ROM (128)	1
1-C91	ROM (128)	1
1-C92	ROM (128)	1
1-C93	ROM (128)	1
1-C94	ROM (128)	1
1-C95	ROM (128)	1
1-C96	ROM (128)	1
1-C97	ROM (128)	1
1-C98	ROM (128)	1
1-C99	ROM (128)	1
1-C100	ROM (128)	1

REF ID	DESCRIPTION	QUANTITY
1-C101	ROM (128)	1
1-C102	ROM (128)	1
1-C103	ROM (128)	1
1-C104	ROM (128)	1
1-C105	ROM (128)	1
1-C106	ROM (128)	1
1-C107	ROM (128)	1
1-C108	ROM (128)	1
1-C109	ROM (128)	1
1-C110	ROM (128)	1
1-C111	ROM (128)	1
1-C112	ROM (128)	1
1-C113	ROM (128)	1
1-C114	ROM (128)	1
1-C115	ROM (128)	1
1-C116	ROM (128)	1
1-C117	ROM (128)	1
1-C118	ROM (128)	1
1-C119	ROM (128)	1
1-C120	ROM (128)	1
1-C121	ROM (128)	1
1-C122	ROM (128)	1
1-C123	ROM (128)	1
1-C124	ROM (128)	1
1-C125	ROM (128)	1
1-C126	ROM (128)	1
1-C127	ROM (128)	1
1-C128	ROM (128)	1
1-C129	ROM (128)	1
1-C130	ROM (128)	1
1-C131	ROM (128)	1
1-C132	ROM (128)	1
1-C133	ROM (128)	1
1-C134	ROM (128)	1
1-C135	ROM (128)	1
1-C136	ROM (128)	1
1-C137	ROM (128)	1
1-C138	ROM (128)	1
1-C139	ROM (128)	1
1-C140	ROM (128)	1
1-C141	ROM (128)	1
1-C142	ROM (128)	1
1-C143	ROM (128)	1
1-C144	ROM (128)	1
1-C145	ROM (128)	1
1-C146	ROM (128)	1
1-C147	ROM (128)	1
1-C148	ROM (128)	1
1-C149	ROM (128)	1
1-C150	ROM (128)	1

DM-CPU-PC BOARD
SCHEMATIC DIAGRAM
REV. 1.2
DMR 00002



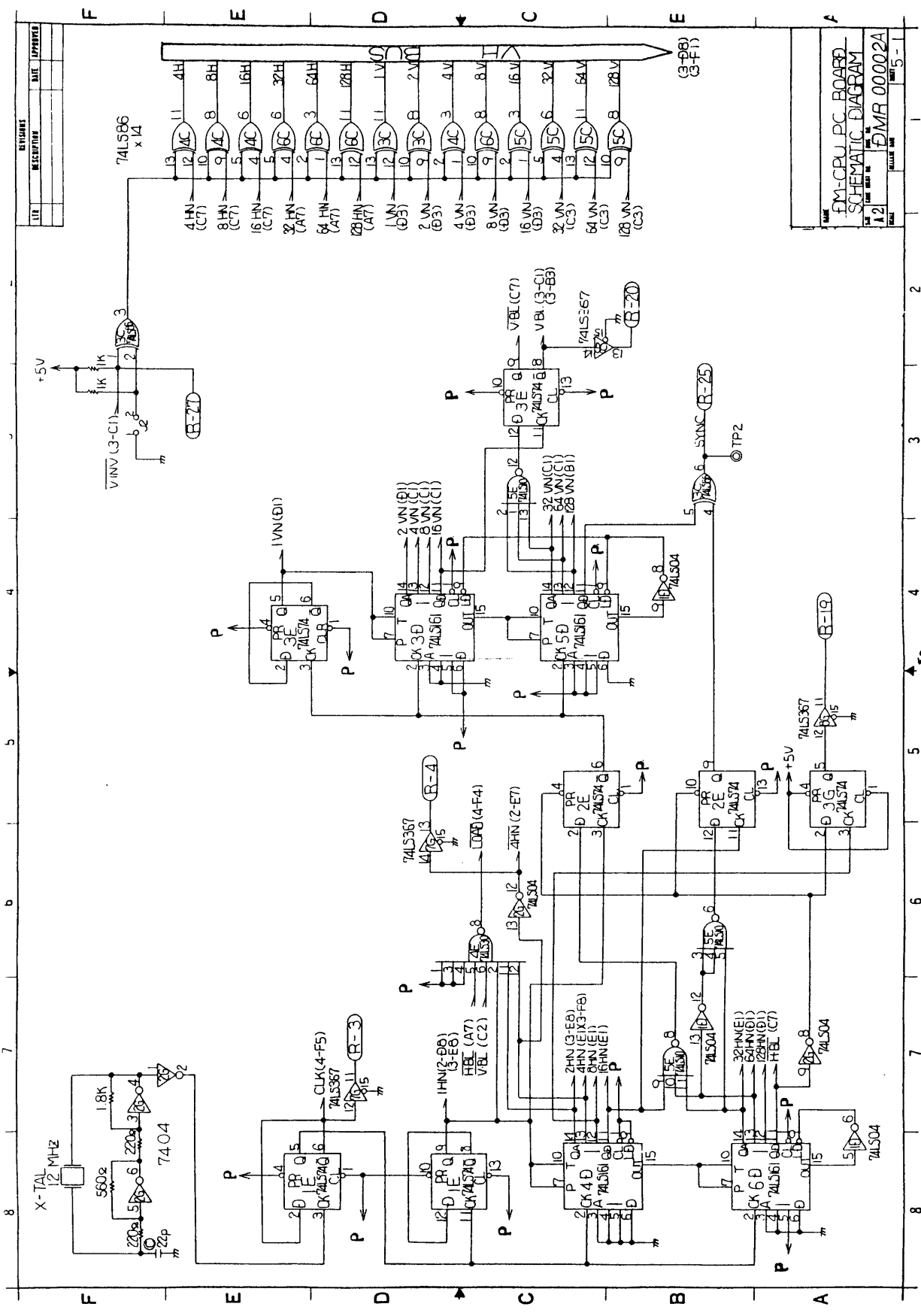
REV	DESCRIPTION	DATE	APPROVED
1.1	INITIAL	5-7-78	J. B. HANCOCK
1.2	REVISED	5-15-78	J. B. HANCOCK

DM-CPU PC BOARD
SCHEMATIC DIAGRAM
1.2
DMR 00002
REV 1.2

8
7
6
5
4
3
2
1
F
E
D
C
B
A

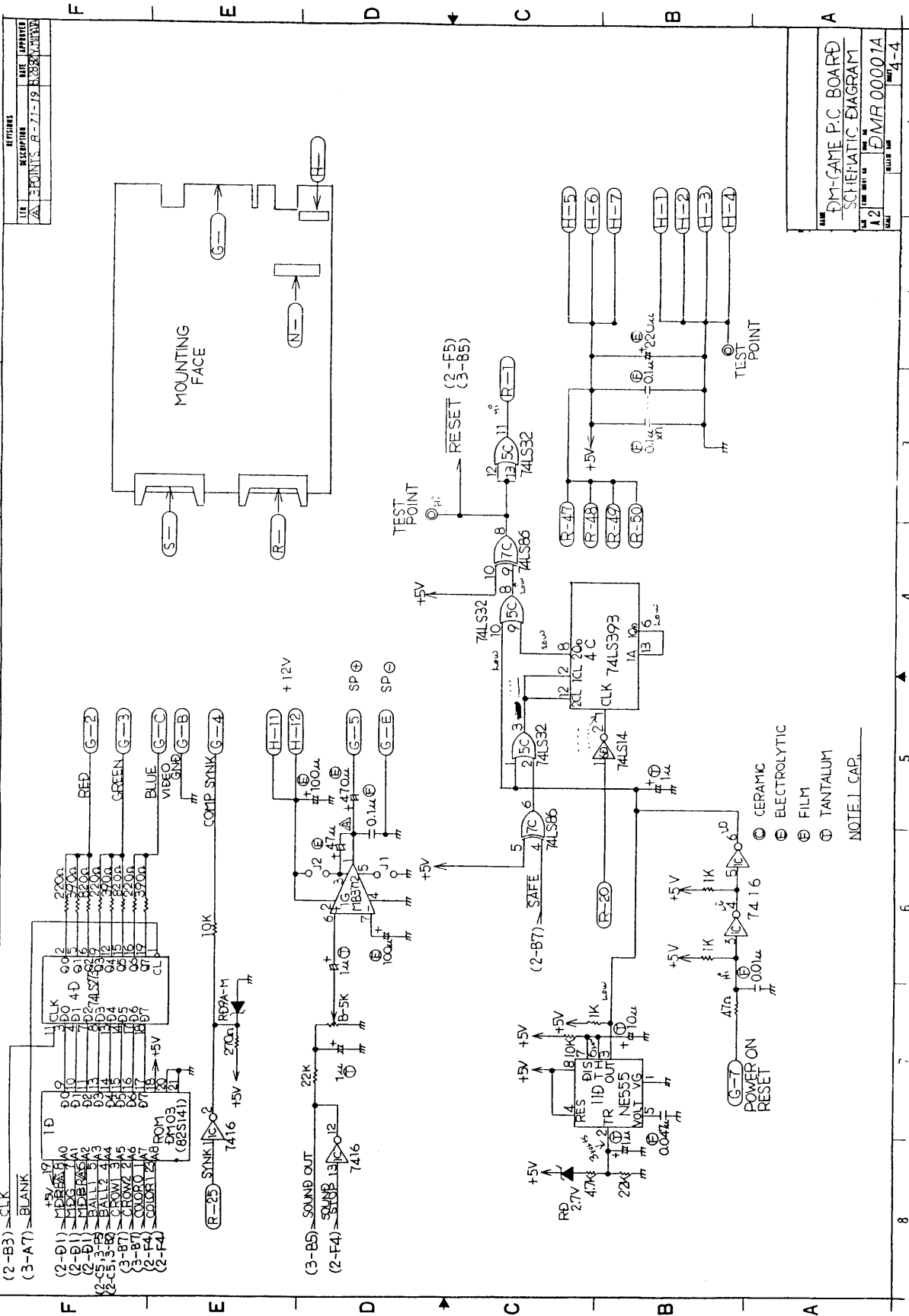
F
E
D
C
B
A
8
7
6
5
4
3
2
1

REV	DESCRIPTION	DATE	APPROVED



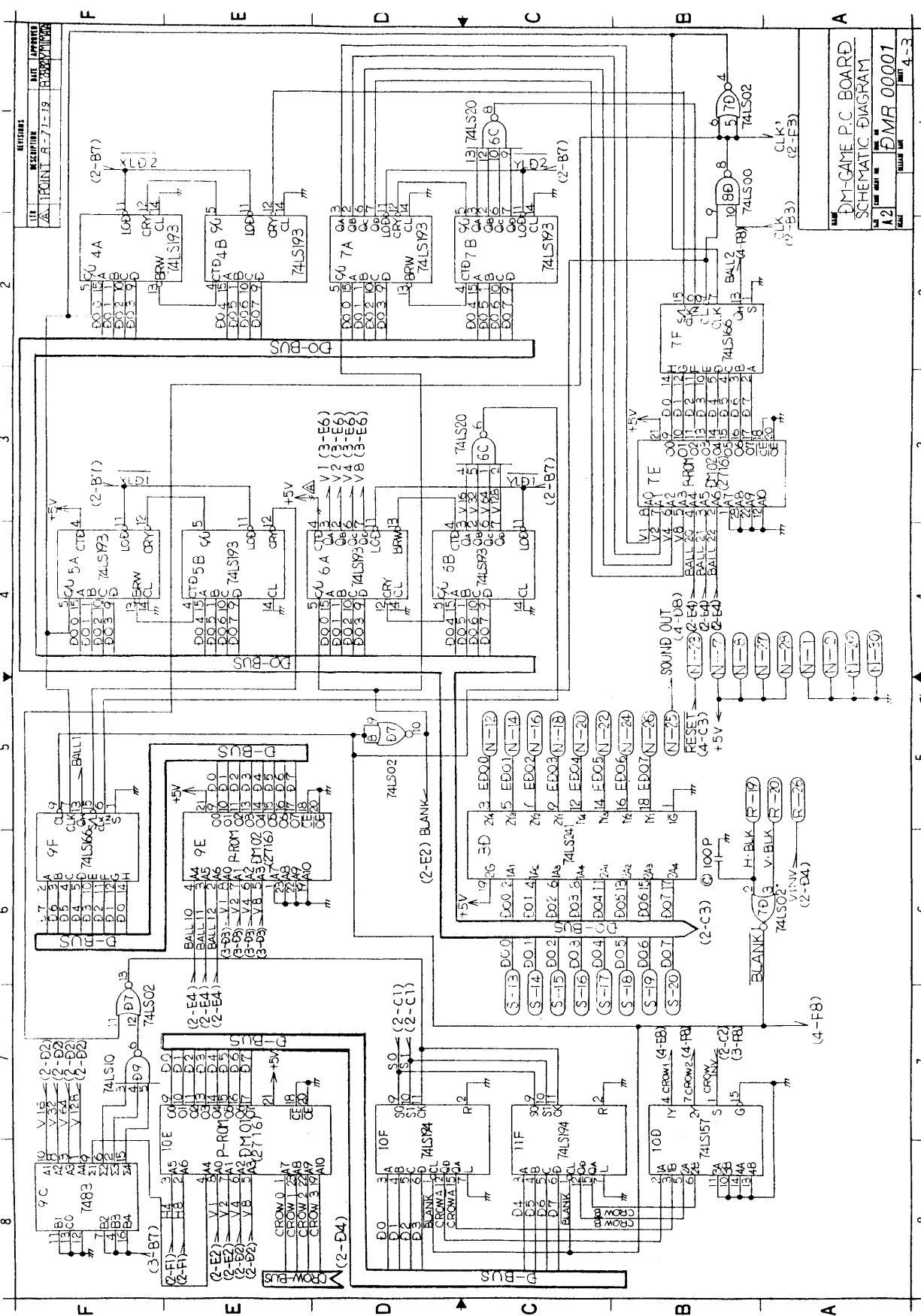
FM-CPU PCB BOARD
SCHEMATIC DIAGRAM
REV. 1.2
DATE: 1981.08.01
DRAWN BY: EMR 00002A
SHEET 5-1

REVISIONS	
NO.	DESCRIPTION
1	INITIAL RELEASE
2	ADD POINTS A-7, F-19
3	REWORK POINTS



DM-GAME P.C. BOARD	
SCHEMATIC DIAGRAM	
REV. 1	DATE 11-18-78
DESIGNER	DMR 00001A
DRAWN	4-4

- ⊙ CERAMIC
 - ⊕ ELECTROLYTIC
 - ⊙ FILM
 - ⊕ TANTALUM
- NOTE: 1. CAP.



REVISIONS
 NO. 1
 DESCRIPTION
 1. POINT A-7-19
 2. REVISION

DM-GAME P.C. BOARD
 SCHEMATIC DIAGRAM
 1.2
 DMR 00001
 4-3

5CU 4A
 DO 0 15
 DO 1 14
 DO 2 13
 DO 3 12
 DO 4 11
 DO 5 10
 DO 6 9
 DO 7 8

5CU 5A
 DO 0 15
 DO 1 14
 DO 2 13
 DO 3 12
 DO 4 11
 DO 5 10
 DO 6 9
 DO 7 8

5CU 6A
 DO 0 15
 DO 1 14
 DO 2 13
 DO 3 12
 DO 4 11
 DO 5 10
 DO 6 9
 DO 7 8

9C
 V15
 V32
 V64
 V125
 7483
 74LS10
 74LS02

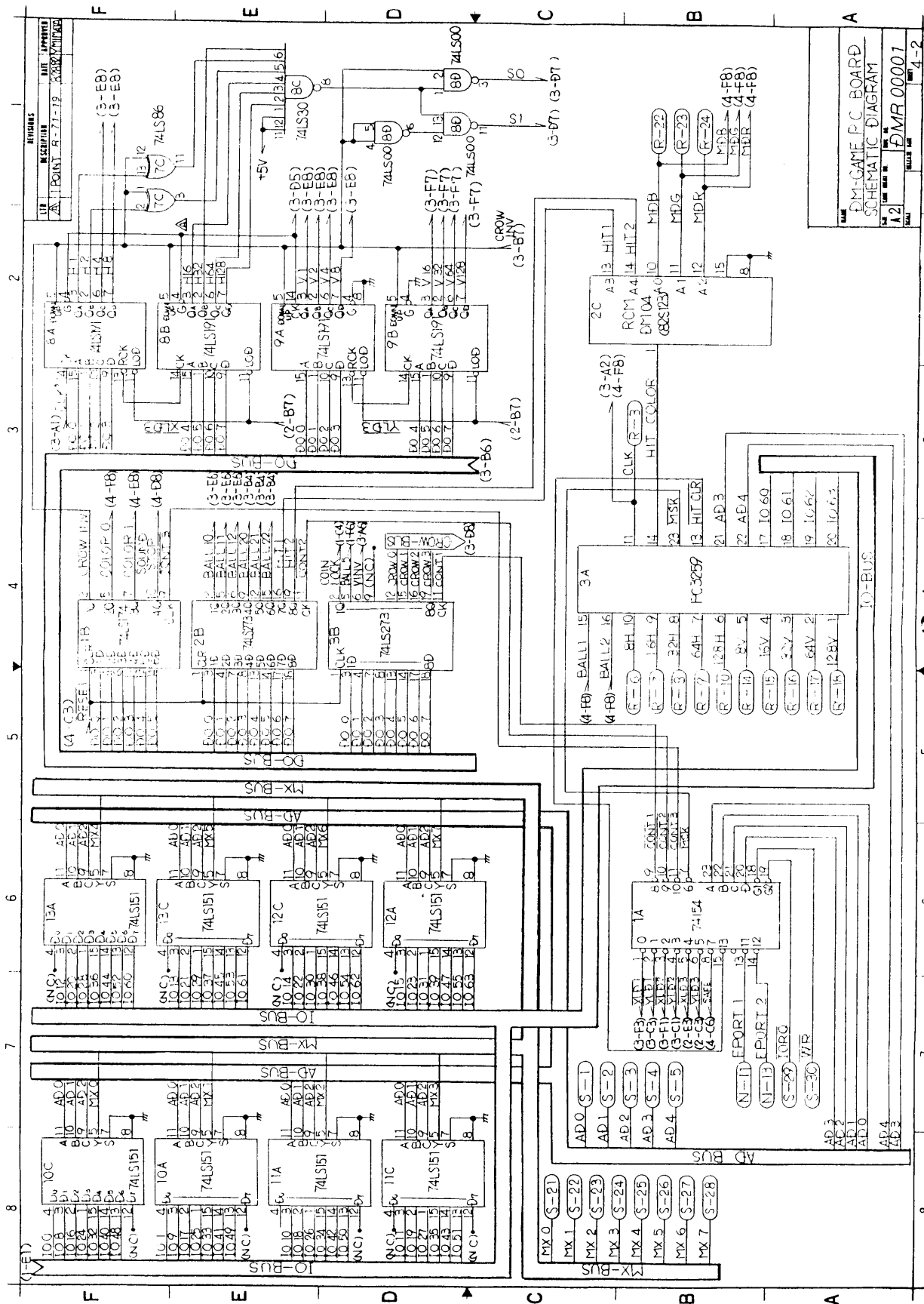
9E
 BALL10
 BALL11
 BALL12
 BALL13
 BALL14
 BALL15
 BALL16
 BALL17
 BALL18
 BALL19
 BALL20
 BALL21
 BALL22
 BALL23
 BALL24
 BALL25
 BALL26
 BALL27
 BALL28
 BALL29
 BALL30
 BALL31
 BALL32
 BALL33
 BALL34
 BALL35
 BALL36
 BALL37
 BALL38
 BALL39
 BALL40
 BALL41
 BALL42
 BALL43
 BALL44
 BALL45
 BALL46
 BALL47
 BALL48
 BALL49
 BALL50
 BALL51
 BALL52
 BALL53
 BALL54
 BALL55
 BALL56
 BALL57
 BALL58
 BALL59
 BALL60
 BALL61
 BALL62
 BALL63
 BALL64
 BALL65
 BALL66
 BALL67
 BALL68
 BALL69
 BALL70
 BALL71
 BALL72
 BALL73
 BALL74
 BALL75
 BALL76
 BALL77
 BALL78
 BALL79
 BALL80
 BALL81
 BALL82
 BALL83
 BALL84
 BALL85
 BALL86
 BALL87
 BALL88
 BALL89
 BALL90
 BALL91
 BALL92
 BALL93
 BALL94
 BALL95
 BALL96
 BALL97
 BALL98
 BALL99
 BALL100

10F
 3A
 4A
 5A
 6A
 7A
 8A
 9A
 10A
 11A
 12A
 13A
 14A
 15A
 16A
 17A
 18A
 19A
 20A
 21A
 22A
 23A
 24A
 25A
 26A
 27A
 28A
 29A
 30A
 31A
 32A
 33A
 34A
 35A
 36A
 37A
 38A
 39A
 40A
 41A
 42A
 43A
 44A
 45A
 46A
 47A
 48A
 49A
 50A
 51A
 52A
 53A
 54A
 55A
 56A
 57A
 58A
 59A
 60A
 61A
 62A
 63A
 64A
 65A
 66A
 67A
 68A
 69A
 70A
 71A
 72A
 73A
 74A
 75A
 76A
 77A
 78A
 79A
 80A
 81A
 82A
 83A
 84A
 85A
 86A
 87A
 88A
 89A
 90A
 91A
 92A
 93A
 94A
 95A
 96A
 97A
 98A
 99A
 100A

11F
 1A
 2A
 3A
 4A
 5A
 6A
 7A
 8A
 9A
 10A
 11A
 12A
 13A
 14A
 15A
 16A
 17A
 18A
 19A
 20A
 21A
 22A
 23A
 24A
 25A
 26A
 27A
 28A
 29A
 30A
 31A
 32A
 33A
 34A
 35A
 36A
 37A
 38A
 39A
 40A
 41A
 42A
 43A
 44A
 45A
 46A
 47A
 48A
 49A
 50A
 51A
 52A
 53A
 54A
 55A
 56A
 57A
 58A
 59A
 60A
 61A
 62A
 63A
 64A
 65A
 66A
 67A
 68A
 69A
 70A
 71A
 72A
 73A
 74A
 75A
 76A
 77A
 78A
 79A
 80A
 81A
 82A
 83A
 84A
 85A
 86A
 87A
 88A
 89A
 90A
 91A
 92A
 93A
 94A
 95A
 96A
 97A
 98A
 99A
 100A

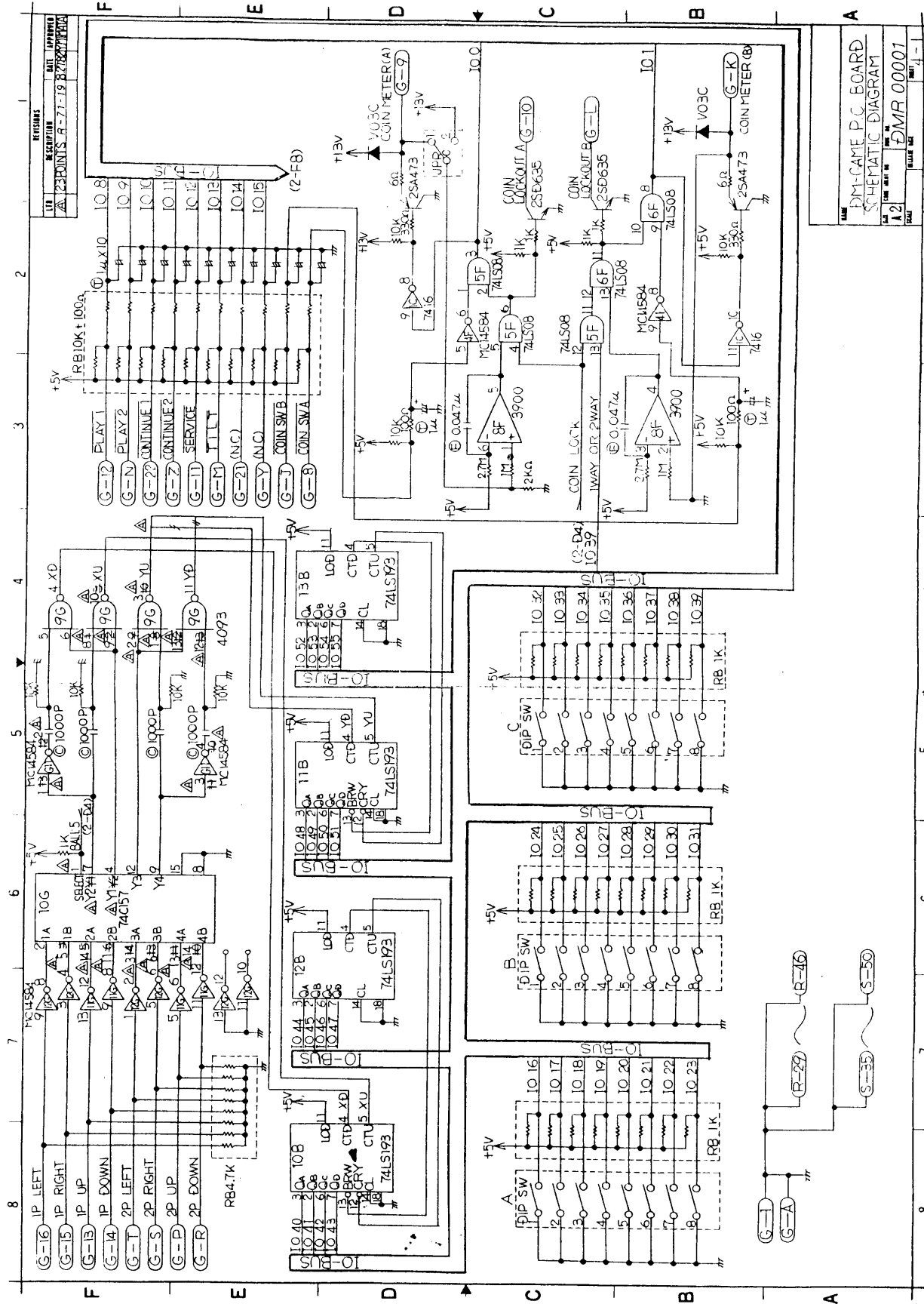
12F
 1A
 2A
 3A
 4A
 5A
 6A
 7A
 8A
 9A
 10A
 11A
 12A
 13A
 14A
 15A
 16A
 17A
 18A
 19A
 20A
 21A
 22A
 23A
 24A
 25A
 26A
 27A
 28A
 29A
 30A
 31A
 32A
 33A
 34A
 35A
 36A
 37A
 38A
 39A
 40A
 41A
 42A
 43A
 44A
 45A
 46A
 47A
 48A
 49A
 50A
 51A
 52A
 53A
 54A
 55A
 56A
 57A
 58A
 59A
 60A
 61A
 62A
 63A
 64A
 65A
 66A
 67A
 68A
 69A
 70A
 71A
 72A
 73A
 74A
 75A
 76A
 77A
 78A
 79A
 80A
 81A
 82A
 83A
 84A
 85A
 86A
 87A
 88A
 89A
 90A
 91A
 92A
 93A
 94A
 95A
 96A
 97A
 98A
 99A
 100A

13F
 1A
 2A
 3A
 4A
 5A
 6A
 7A
 8A
 9A
 10A
 11A
 12A
 13A
 14A
 15A
 16A
 17A
 18A
 19A
 20A
 21A
 22A
 23A
 24A
 25A
 26A
 27A
 28A
 29A
 30A
 31A
 32A
 33A
 34A
 35A
 36A
 37A
 38A
 39A
 40A
 41A
 42A
 43A
 44A
 45A
 46A
 47A
 48A
 49A
 50A
 51A
 52A
 53A
 54A
 55A
 56A
 57A
 58A
 59A
 60A
 61A
 62A
 63A
 64A
 65A
 66A
 67A
 68A
 69A
 70A
 71A
 72A
 73A
 74A
 75A
 76A
 77A
 78A
 79A
 80A
 81A
 82A
 83A
 84A
 85A
 86A
 87A
 88A
 89A
 90A
 91A
 92A
 93A
 94A
 95A
 96A
 97A
 98A
 99A
 100A

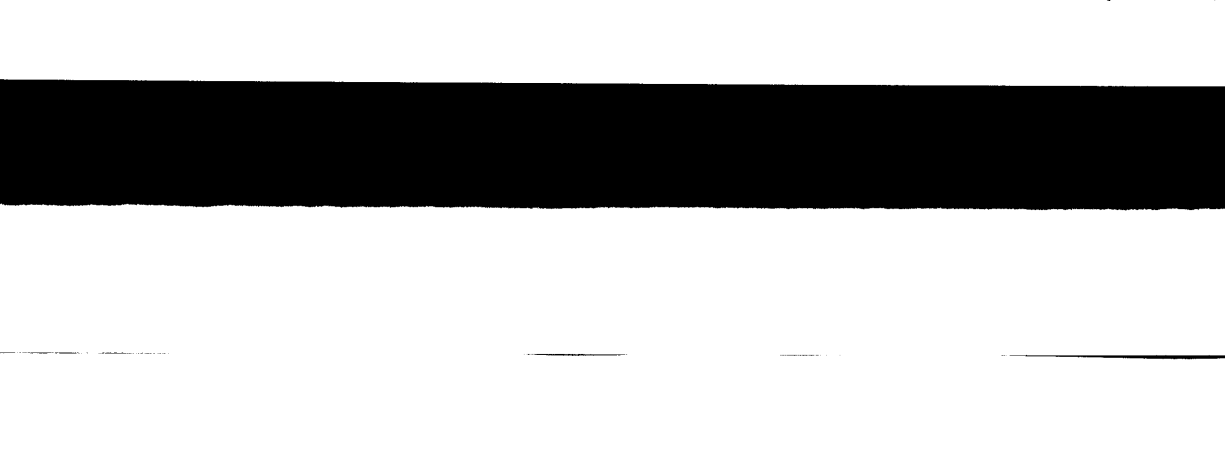


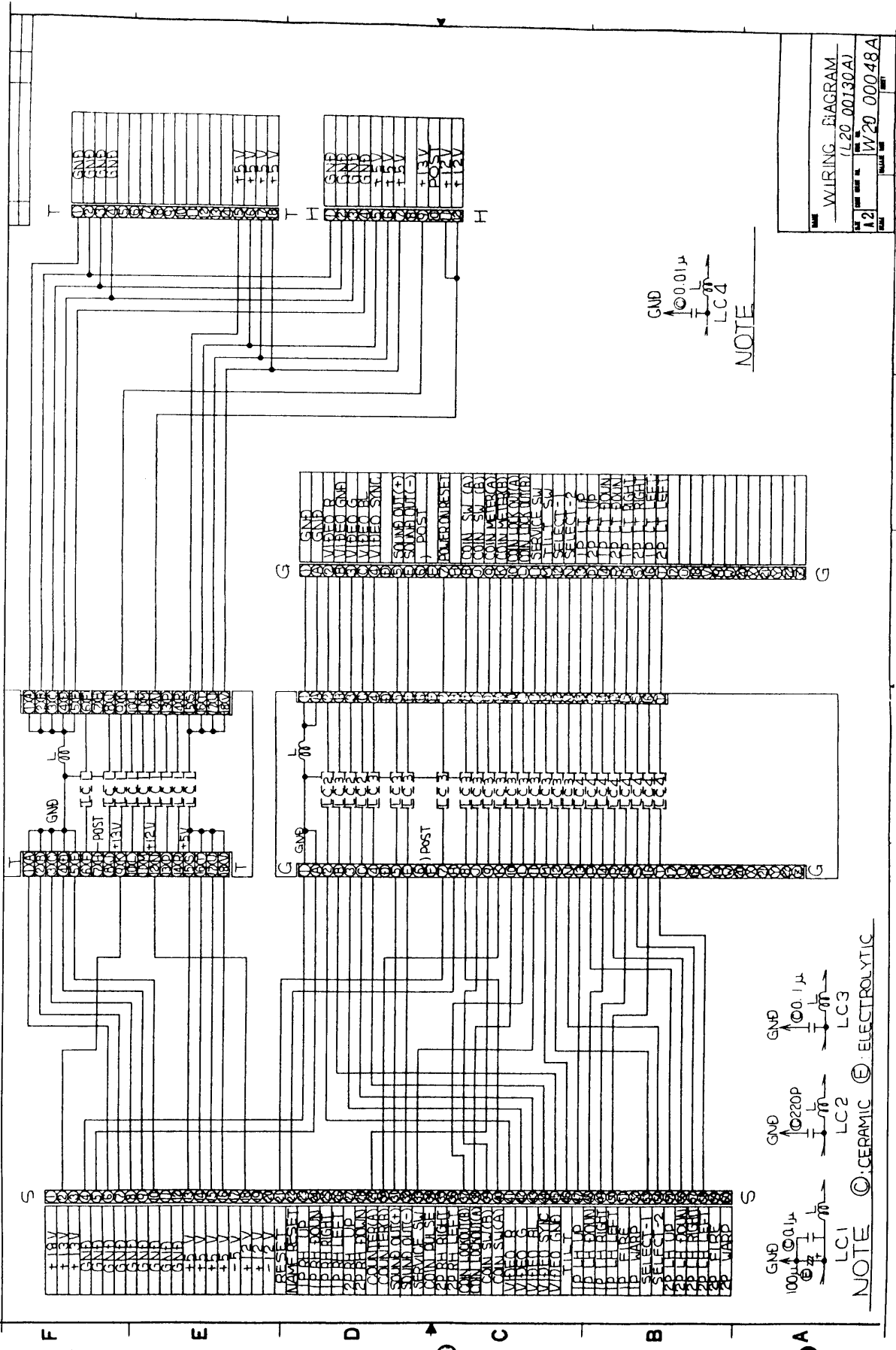
DM-GAME P.C. BOARD
SCHEMATIC DIAGRAM
DMR 00001
REV. 1.2

Grid coordinates: Columns F, E, D, C, B, A; Rows 1, 2, 3, 4, 5, 6, 7, 8.



DM-CAME PC BOARD
SCHEMATIC DIAGRAM
A 2
DMR 00007





WIRING DIAGRAM
 (L20 00130A)
 W20 00048A

NOTE
 \uparrow 0.001 μ
 LC4

NOTE
 \uparrow 0.001 μ
 LC1
 \uparrow 0.001 μ
 LC3
 \uparrow 0.001 μ
 LC4
 NOTE © CERAMIC Ⓞ ELECTROLYTIC

F
 E
 D
 C
 B
 A