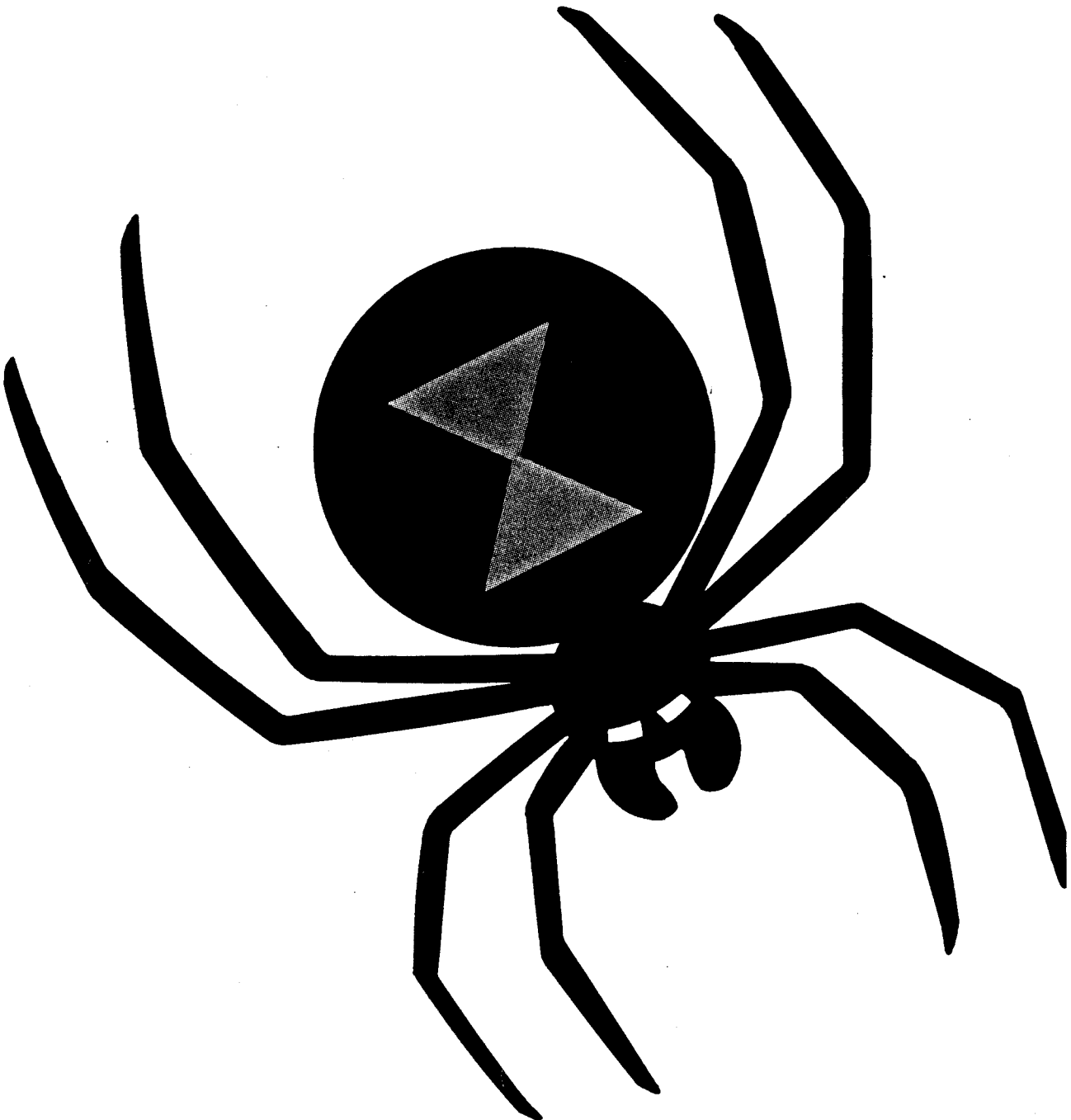


# BLACKWIDOW™

## Operators Manual

With Illustrated Parts Lists



© 1983 by Atari, Inc.

**All rights reserved.**

No part of this publication may be reproduced by any mechanical, photographic, or electronic process, or in the form of a phonographic recording, nor may it be stored in a retrieval system, transmitted, or otherwise copied for public or private use, without permission from the publisher.

The game play, all graphic designs, this technical manual, its accompanying schematic diagrams, and the display manual are protected by the U.S. Copyright Act of 1976.

This Act provides for increased penalties for violating federal copyright laws. Courts *can impound* infringing articles while legal action is pending. If infringers are convicted, courts can *order destruction* of the infringing articles.

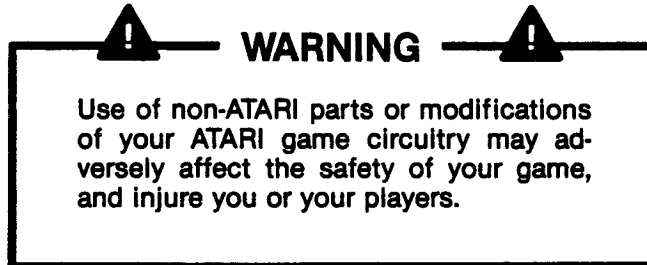
In addition, the Act provides for payment of statutory damages of up to \$50,000 in certain cases. Infringers may also have to pay costs and attorneys' fees, fines up to \$25,000, and face an imprisonment of up to one year.

Atari will aggressively enforce its copyrights against any infringers. *We will use all legal means* to immediately halt any manufacture, distribution, or operation of a copy of video games made by us. Anyone who purchases such copies risks forfeiting such a game.

Published by:  
ATARI, INC.  
790 Sycamore Drive  
P.O. Box 906  
Milpitas, California 95035

Printed in the U.S.A.     3M

## Notice Regarding Non-ATARI Parts



You may void the game warranty (printed on the inside back cover of this manual) if you do any of the following:

- Substitute non-ATARI parts in the game
- Modify or alter any circuits in the game by using kits or parts *not* supplied by Atari.

# INTERFERENCE

to licensed communications services is not permitted by the FCC (Federal Communications Commission).

If you suspect interference from an ATARI game at your location, check the following:

- All grounds (green wires) in the game are properly connected as shown in the game wiring diagram, and
- The power cord is properly plugged into a *grounded* 3-wire outlet.

If you are unable to solve the interference problem, please contact ATARI Customer Service. See page vi for service in your area.

# Table of Contents

<b>1</b>	<b>Set-Up Procedures</b>	
	A. How to Use This Manual .....	1-1
	B. Game Overview. ....	1-3
	C. Installation Specifications .....	1-3
	D. Inspecting the Game .....	1-3
	E. Voltage-Plug Selection and Fuses .....	1-4
	F. Switch Locations .....	1-5
	Power On/Off Switch .....	1-5
	Utility Panel Switches .....	1-5
	Option Switches .....	1-5
	G. Selecting the Options .....	1-6
<b>2</b>	<b>Self-Test Procedure</b>	
	A. Obtaining the Operator Information Display .....	2-2
	B. Obtaining the Self-Test Displays .....	2-2
<b>3</b>	<b>Illustrated Parts Lists</b>	
	A. Cabinet-Mounted Assemblies .....	3-2
	B. Control Panel Assembly. ....	3-4
	C. Fluorescent Tube and Speaker. ....	3-8
	D. Video Displays .....	3-9
	E. Utility Panel Assembly. ....	3-12
	F. Coin Door Assemblies .....	3-13
	G. Power Supply Assembly. ....	3-20
	H. Printed-Circuit Boards .....	3-22

# List of Illustrations

Figure 1-1	Game Overview . . . . .	1-2
Figure 1-2	Voltage-Selection Plug and Fuse Locations . . . . .	1-4
Figure 1-3	Switch Locations . . . . .	1-5
Figure 2-1	Operator Information Display . . . . .	2-2
Figure 2-2	Screen 1—Test Passes . . . . .	2-3
Figure 2-3	Screen 1—Test Fails . . . . .	2-4
Figure 2-4	Screen 2 . . . . .	2-4
Figure 2-5	Screen 3 . . . . .	2-4
Figure 2-6	Screen 4 . . . . .	2-5
Figure 2-7	Screen 5 . . . . .	2-5
Figure 2-8	Screen 6 . . . . .	2-5
Figure 2-9	Screen 7—Diagnostic Program Displays . . . . .	2-6
Figure 3-1	Cabinet-Mounted Assemblies . . . . .	3-3
Figure 3-2	Control Panel Assembly . . . . .	3-4
Figure 3-3	8-Position Joystick Assembly . . . . .	3-6
Figure 3-4	Fluorescent Tube and Speaker . . . . .	3-8
Figure 3-5	Wells-Gardner Video Display . . . . .	3-9
Figure 3-6	Amplifone Video Display . . . . .	3-10
Figure 3-7	Utility Panel Assembly . . . . .	3-12
Figure 3-8	Vertically Mounted Coin Door . . . . .	3-13
Figure 3-9	American-Made Coin Door . . . . .	3-16
Figure 3-10	Color X-Y Power Supply Assembly . . . . .	3-20
Figure 3-11	PCB Mounting Hardware . . . . .	3-22
Figure 3-12	Black Widow Game Printed-Circuit Board Assembly . . . . .	3-23
Figure 3-13	Regulator/Audio II PCB Assembly . . . . .	3-32

# List of Tables

Table 1-1	Installation Specifications . . . . .	1-3
Table 1-2	Switch Settings for Price Options . . . . .	1-6
Table 1-3	Switch Settings for Special Options . . . . .	1-7
Table 1-4	Switch Settings for Bonus and Difficulty Options . . . . .	1-7
Table 2-1	RAM Locations . . . . .	2-3
Table 2-2	ROM Locations . . . . .	2-3
Table 2-3	EAROM and Custom I/O Chip Locations . . . . .	2-4
Table 2-4	Vector-Generator Diagnostic Tests . . . . .	2-6

# Set-Up Procedures

## A. How to Use this Manual

This manual, written for game operators and service technicians, describes the Black Widow Upright game.

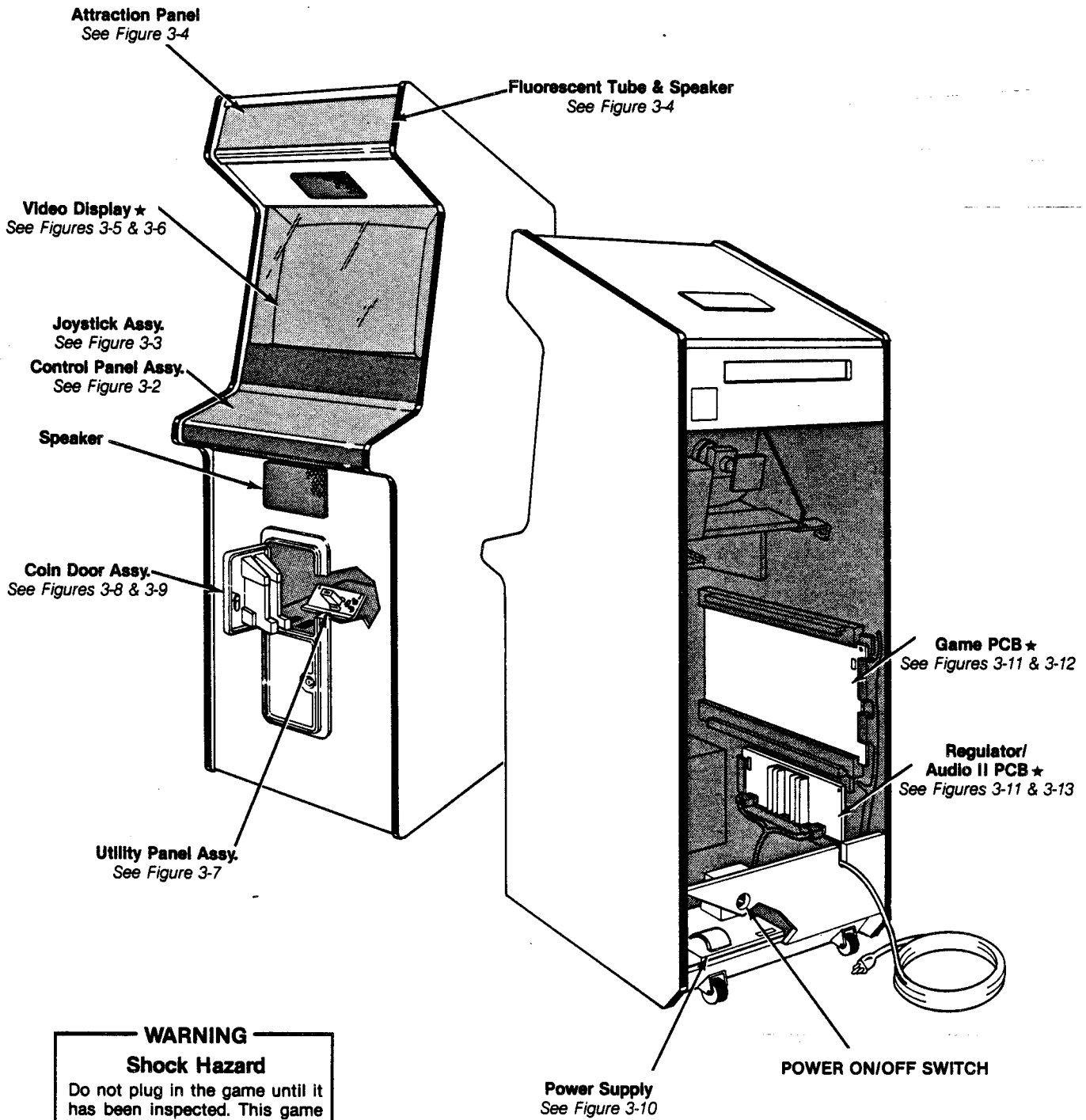
Chapter 1 contains game specifications, inspection procedures, voltage plug and fuse information, switch locations, and option information.

Chapter 2 contains self-test procedures.

Chapter 3 contains illustrated parts lists. Figures 1-1 and 3-1 illustrate the Upright game cabinet. These figures refer you to other places in the manual for more information about specific cabinet parts.

Chapter

**1**



**WARNING**  
**Shock Hazard**  
 Do not plug in the game until it has been inspected. This game should only be connected to a grounded 3-wire outlet. If you have only a 2-wire outlet, we recommend you hire a licensed electrician to install a grounded outlet. Players may receive an electrical shock if this game is not properly grounded!

★ Item with a serial number label

Figure 1-1 Game Overview

## B. Game Overview

Black Widow challenges you, the spider, to defend your web from mosquitoes, beetles, hornets, and other insects. Use two joysticks to avoid or shoot enemies and bugs. Watch out for the grenade, rocket bug, thunder bug, spoiler, and collect the grub-stakes for extra points! Skill Step™, the Atari feature that allows players to start consecutive games at higher levels, offers players continual challenge.

All major parts of the Black Widow game are illustrated in Figure 1-1.

## C. Installation Specifications

Table 1-1 describes the physical, electrical, and environmental specifications of the game.

**Table 1-1 Installation Specifications**

Power	200 W
Temperature	0° to +38° C (+32° to +100° F)
Humidity	Not to exceed 95% relative
Height	184 cm (72½ in.)
Space Required	64 x 80 cm (25½ x 31½ in.)

## D. Inspecting the Game

Please inspect your game carefully to ensure that it was delivered to you in good condition.

**⚠ WARNING ⚠**

**Shock Hazard**

To avoid electrical shock, do not plug in the game until the procedures in Sections D and E have been completed!

Do not touch internal parts of the display with your hands or with metal objects held in your hands!

1. Examine the exterior of the game cabinet for dents, chips, or broken parts.
2. Remove the screws from the rear access panel. Unlock and open this panel and the coin door. Inspect the interior of the game as follows:
  - a. Ensure that all plug-in connectors (on the game harnesses) are firmly plugged in. Replug any connectors found unplugged. Do not force connectors together. The connectors are keyed so they only fit in the proper orientation. A reversed edge connector may damage a PCB and will void your warranty.
  - b. Ensure that all plug-in integrated circuits on the PCB are firmly plugged into their sockets.
  - c. Remove the tie-wrap that secures the coiled power cord inside the cabinet. Inspect the power cord for any cuts or dents in the insulation. Repair or replace it as required. Place the square strain-relief plate in the wood slot at the bottom of the rear panel opening.
  - d. Inspect major subassemblies, such as the power supply, control panel, and video display. Make sure they are mounted securely and that the green ground wires are connected.



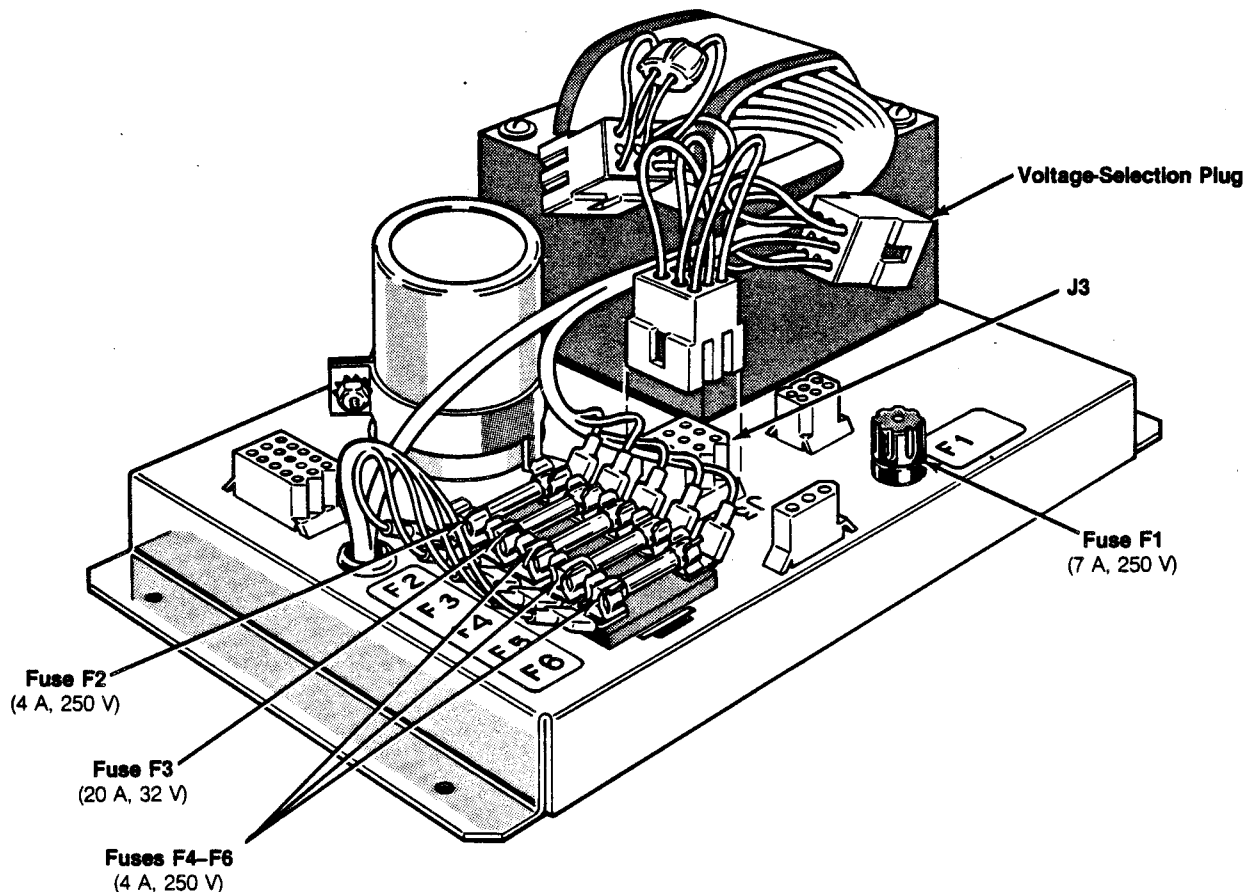
## E. Voltage-Plug Selection and Fuses

The power supply in your game contains six fuses. When you replace a fuse, use the identical type fuse with the same electrical rating (see Figure 1-2).

The power supply operates on the line voltage of many countries. The power supply comes with either one, two, or three voltage-selection plugs. Plug voltages and wire colors are 100 VAC (violet wire color), 120 VAC (yellow wire color), 220 VAC (blue wire color), and 240 VAC (brown wire color).

See Figure 1-2 for placement of the voltage-selection plug. Before plugging in your game, check your line voltage. Next, check the wire color on the voltage-selection plug. Make sure the voltage-selection plug is correct for the voltage of your location.

Now plug the game into a grounded 3-wire outlet.



Fuse cover not shown.

Figure 1-2 Voltage-Selection Plug and Fuse Locations

# F. Switch Locations

## Power On/Off Switch

The power on/off switch is located on the back of the cabinet on the lower left side (see Figure 1-3).

## Utility Panel Switches

The volume control, coin counter, self-test switch, and auxiliary coin switch are on the utility panel. The utility panel is located inside the upper coin door (see Figure 1-3). The volume control adjusts the level of sound produced by the game. The coin counter

records the number of coins entered into the game. The self-test switch initiates and stops the self-test mode. The auxiliary coin switch is used to credit the game without activating a coin counter.

## Option Switches

Option switches for game price, number of lives, bonus, and difficulty selection are on the CPU printed-circuit board (PCB). These switches are at locations D4, B4, and P10/11 (see Figure 1-3).

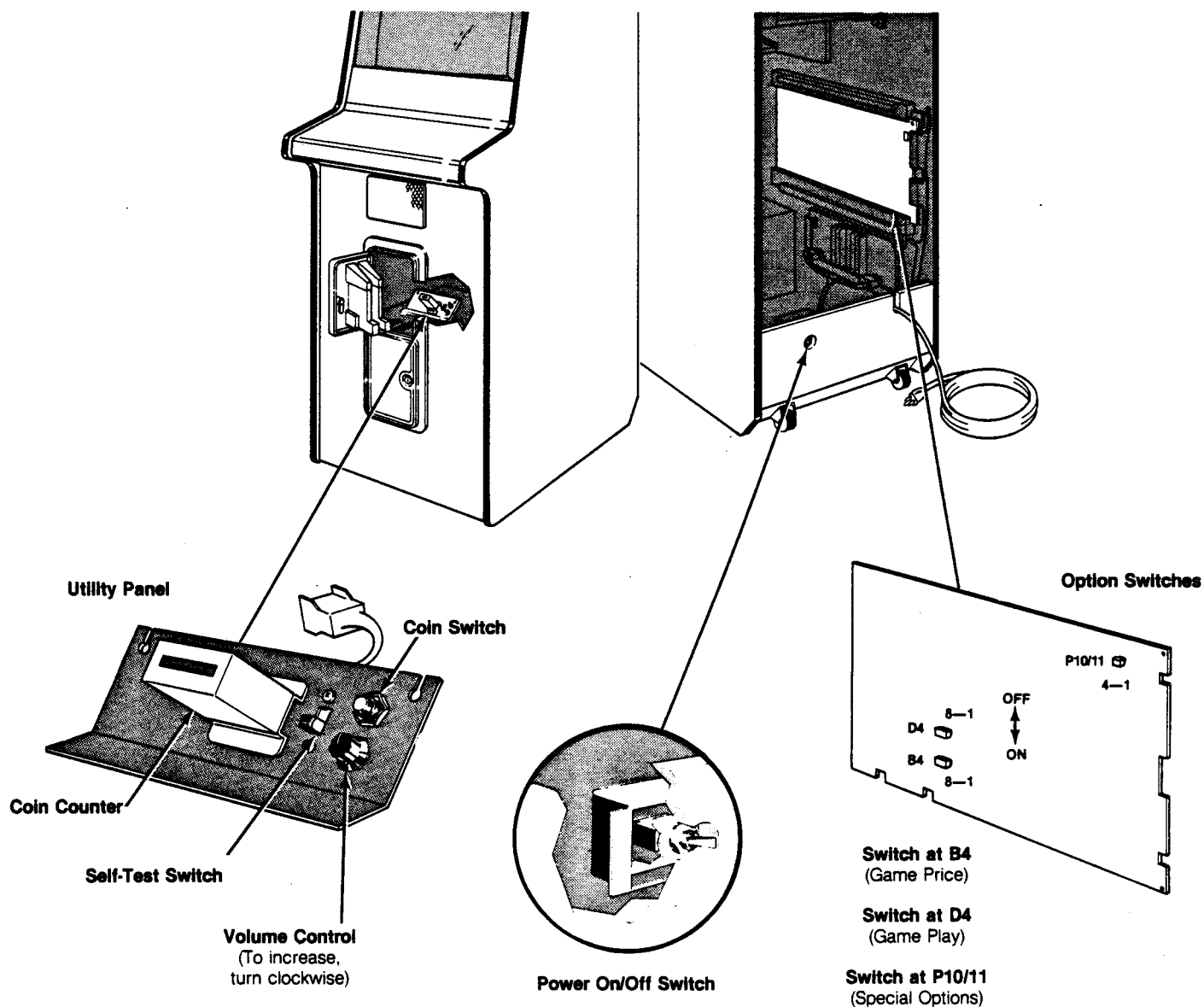


Figure 1-3 Switch Locations

## G. Selecting the Options

Settings of the option switches are explained in Tables 1-2, 1-3, and 1-4. Options preset at the factory are shown by the ◀ symbol. However, you may change the settings to suit your needs.

To verify option switch settings, turn the game *off* and back *on*. Then set the self-test switch to *on* and verify the option switch settings on the self-test display as described in Chapter 2, A. *Obtaining the Operator Information Display*.

Table 1-2 describes the settings for the 8-toggle switch at location D4. This switch selects the game price options, the coin mechanism multipliers, and the bonus play options.

The *coin mechanism* is a device on the inside of the coin door that inspects the coin to determine if the correct coin has been inserted. After this inspection, the mechanism either accepts or rejects the coin.

The *multipliers* (D4 switches 4–6) determine how much each coin mechanism will be worth to the game's logic. The coin door has two mechanisms.

The basic unit of measurement is a coin worth \$.25 or 1 DM, which equals a multiplier of x1. Thus, if you have a 2 DM/1 DM coin door with two coin counters, set switch 8 at location D4 to *on* and switches 5 and 6 to *off*.

You may offer bonus play for certain combinations of coins inserted into the game. For example, with the game set at \$.25 per play, players who deposit four successive quarters, then press the start switch, can receive a bonus play. The bonus feature encourages players to insert more money than just the minimum required for one game. All coins must be inserted before pressing the start switch.

**Table 1-2 Switch Settings for Price Options**

Settings of 8-Toggle Switch on Black Widow CPU PCB (at D4)								Option
8	7	6	5	4	3	2	1	
Off	Off							1 coin/1 credit ◀
On	On							1 coin/2 credits
On	Off							2 coins/1 credit
Off	On							Free play
		Off	Off					Right coin mechanism x 1 ◀
		On	Off					Right coin mechanism x 4
		Off	On					Right coin mechanism x 5
		On	On					Right coin mechanism x 6
				Off				Left coin mechanism x 1 ◀
				On				Left coin mechanism x 2
					Off	Off	Off	No bonus coins (0)* ◀
					Off	On	On	No bonus coins (6)
					On	On	On	No bonus coins (7)
						On	Off	For every 2 coins inserted, logic adds 1 more coin (1)
						Off	On	For every 4 coins inserted, logic adds 1 more coin (2)
						On	On	For every 4 coins inserted, logic adds 2 more coins (3)
						Off	Off	For every 5 coins inserted, logic adds 1 more coin (4)
						On	Off	For every 3 coins inserted, logic adds 1 more coin (5)

\*The numbers in parentheses will appear on the BONUS ADDER line in the Operator Information Display (Figure 2-1) for these settings.  
◀Manufacturer's recommended setting

Table 1-3 describes the settings for the 4-toggle switch at location P10/11. This switch selects

whether credited coins are counted on one or on both coin counters.

**Table 1-3 Switch Settings for Special Options**

Settings of 4-Toggle Switch on Black Widow CPU PCB (at P10/11)				Option
4	3	2	1	
			On	Credits counted on one coin counter
			Off	Credits counted on two separate coin counters

Table 1-4 describes the settings for the 8-toggle switch at location B4. This switch selects the

game's starting level, bonus spiders, and difficulty level.

**Table 1-4 Switch Settings for Bonus and Difficulty Options**

Settings of 4-Toggle Switch on Black Widow CPU PCB (at B4)								Option
8	7	6	5	4	3	2	1	
Off	Off							Maximum start at level 13
On	Off							Maximum start at level 21◀
Off	On							Maximum start at level 37
On	On							Maximum start at level 53
		Off	Off					3 spiders per game◀
		On	Off					4 spiders per game
		Off	On					5 spiders per game
		On	On					6 spiders per game
				Off	Off			Easy game play
				On	Off			Medium game play◀
				Off	On			Hard game play
				On	On			Demonstration mode
						Off	Off	Bonus spider every 20,000 points◀
						On	Off	Bonus spider every 30,000 points
						Off	On	Bonus spider every 40,000 points
						On	On	No bonus

◀Manufacturer's recommended setting

# Self-Test Procedure

This game will test itself and provide data to show that the game circuitry and controls are operating properly. Self-test data is presented visually on the video display and audibly through the speakers. No additional equipment is required.

We suggest that you perform the self-test procedure when you first set up the game, each time you collect money, when you change the game options, when you erase scores and times, or when you suspect a game failure.

Chapter

**2**

## A. Obtaining the Operator Information Display

Set the self-test switch to the on position (refer to Figure 1-3 for the location of the self-test switch). Patterns will appear on the display for a few seconds, then an operator information display will appear as shown in Figure 2-1. The operator information display shows the game statistics and certain game option information. The information display is also used to erase game scores and times as described in the following procedure.

All credits are cancelled when the self-test switch is turned on. If the message EAROM BUSY PLEASE WAIT appears, wait for it to disappear before proceeding.

### NOTE

The BONUS ADDER number (0 through 7) displayed indicates the price option selected by the option switch at location D4. Refer to Table 1-2 in Chapter 1, Switch Settings for Price Options, for the price option settings represented by the BONUS ADDER number.

```

HOLD FIRE THEN PRESS START 1
      FOR TEST
LIVES PER GAME  3
MAX START WAVE  21
GAMES PLAYED    1
AVERAGE GAME TIME  124
LEFT MECH  X1
RIGHT MECH  X1
BONUS ADDER  0
      MEDIUM
BONUS SPIDER EVERY 20000
      1 COIN 1 PLAY
  
```

Figure 2-1 Operator Information Display

### To Erase Scores and Times:

1. Obtain an operator information display as shown in Figure 2-1 by setting the self-test switch to the on position.
2. Press the 1-player start button until the screen displays the appropriate instruction, i.e., HOLD FIRE THEN PRESS START 1 TO (CLEAR SCORES) (CLEAR TIMES) (CLEAR TIMES AND SCORES).

3. Hold FIRE joystick forward, then press the 1-player start button. The words EAROM BUSY PLEASE WAIT will appear on the screen until the entire table is erased. Wait until the display disappears before proceeding.
4. Set the self-test switch to the off position to erase the operator information display.

## B. Obtaining the Self-Test Display

The following information includes instructions for obtaining various self-test displays. These displays are provided to quickly check the game's operation and locate malfunctions in the game controls and circuitry. If there is a failure, the game produces audiovisual indications to help you find the problem.

### NOTE

This procedure does not test the coin door lockout coils and coin counter. If the lockout coils do not energize when the game is on, suspect the lockout coil wiring, coin door harness, game PCB harness, latch R9, or driver Q2 of the game PCB. Troubleshoot using the game schematics.

### SCREEN 1

The screen 1 display shown in Figure 2-2 is obtained by setting the self-test switch to the on position. Then hold the FIRE joystick forward and press the 1-player start button. If the test passes, the display will go blank for a few seconds before displaying screen 1. This display indicates the condition of the ROM, RAM, and three other integrated circuits.

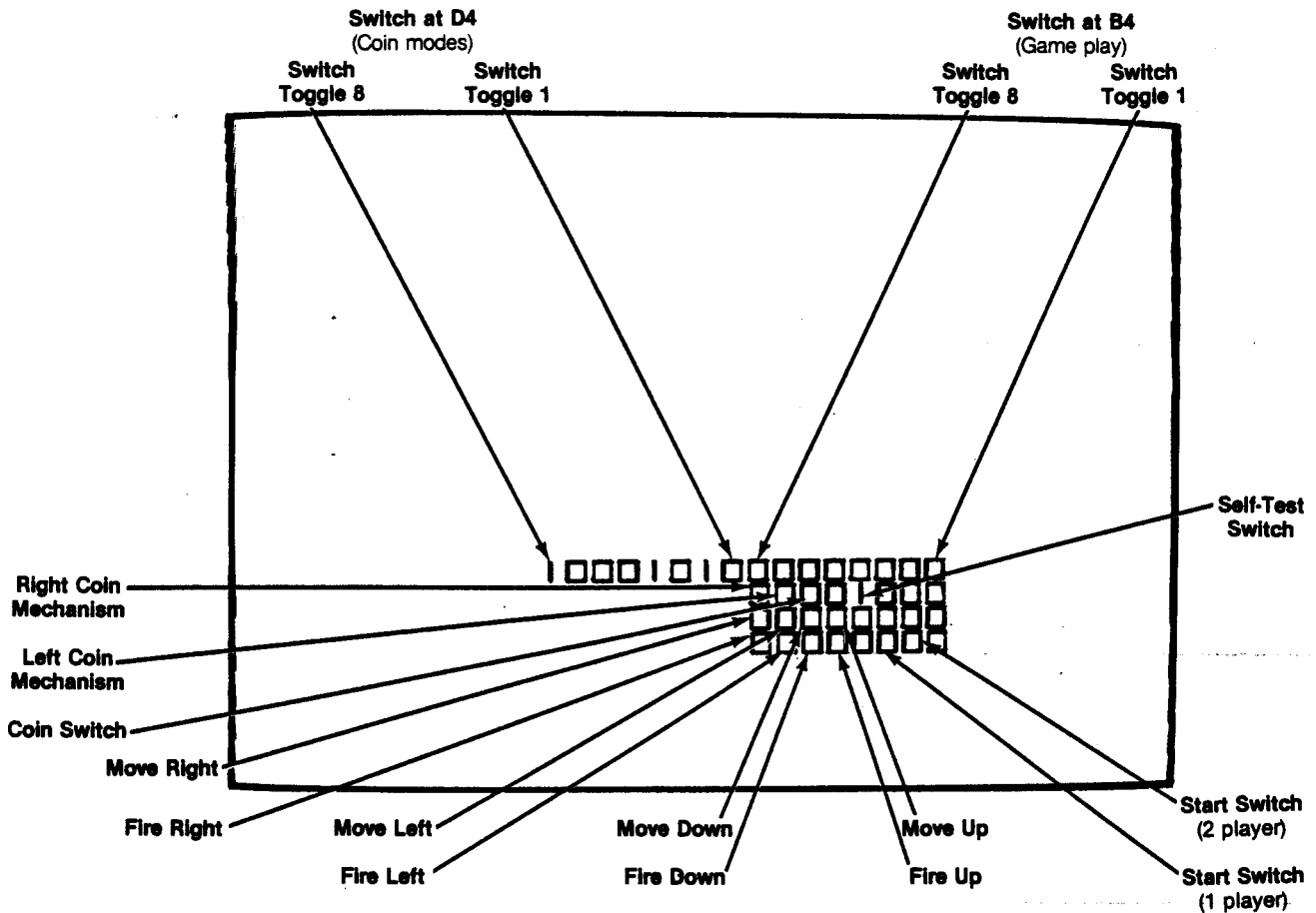


Figure 2-2 Screen 1—Test Passes

RAM failure is indicated by a sound and, if possible, an R displayed in the top center of the screen. Count the tones. One or two tones indicates RAM failure at game PCB location N/P1. Three or four tones indicate RAM failure at game PCB location K7 (see Table 2-1).

Table 2-1 RAM Locations

Number of Tones	RAM Location on Game PCB
1 or 2	N/P1
3 or 4	K7

ROM failure is indicated by one or more vertically arranged numbers displayed on the top half of the screen (see Figure 2-3). Use Table 2-2 to identify the bad ROM and determine its location.

Table 2-2 ROM Locations

Screen Display	ROM Location on Game PCB
0*	L7
1*	M/N7
2*	N/P7
3	R7
4	D1
5	E/F1
6	H1
7	J1
8	K/L1
9**	M1

\*If this ROM is bad, you will hear a constant low tone and the program may be unable to display a screen image.

\*\*If this ROM is bad, the screen may be blank.

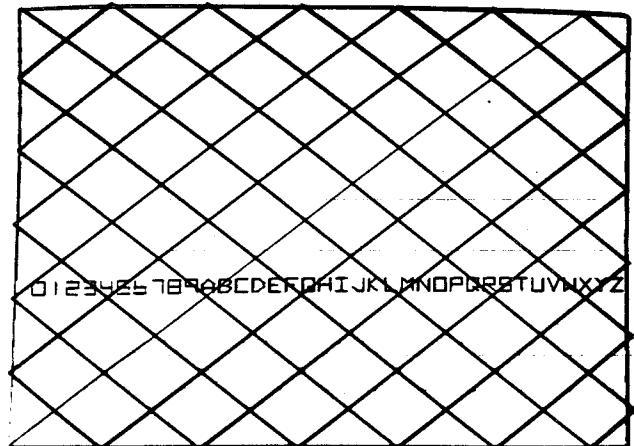
**EAROM or CUSTOM I/O CHIP failure** is indicated by one letter in the top center of the screen. Use Table 2-3 to identify the bad IC and determine its location.

**Table 2-3 EAROM and Custom I/O Chip Locations**

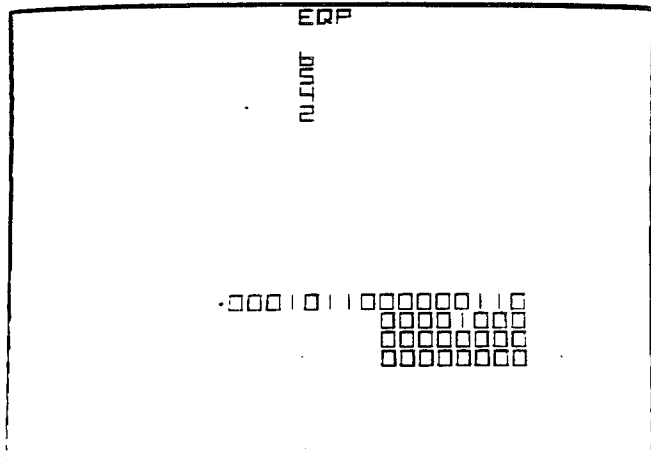
Screen Display	Chip Location on Game PCB
E	EAROM at M2
Q	Custom I/O chip at C/D3
P	Custom I/O chip at B3

**SWITCH failure** is indicated by the associated 0 not changing to a 1 on the screen and no sound being produced when the switch is activated.

**SOUND failure** is indicated by no sound. Check the volume control on the utility panel, or troubleshoot using the game schematics.



**Figure 2-4 Screen 2**



**Figure 2-3 Screen 1—Test Fails**

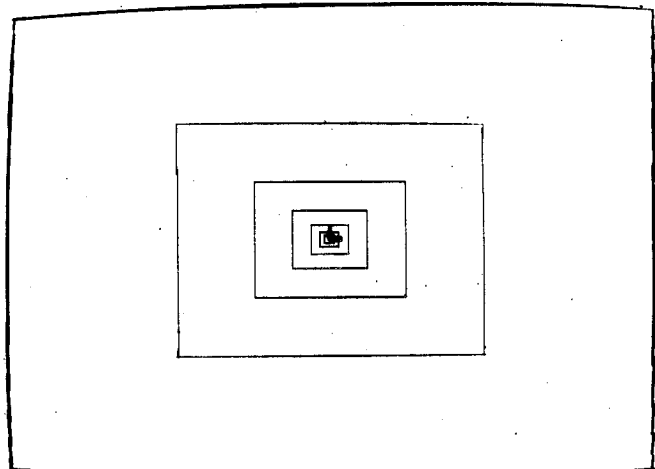
To see self-test screens 2 through 6, press the auxiliary coin switch on the utility panel once to advance to the next screen.

**SCREEN 2**

A white diagonal grid pattern and a complete character set appear on the screen (see Figure 2-4). The edges of the grid pattern should touch the sides of the screen. If the display is not centered, symmetrical, or the proper size, adjust the X SIZE, Y SIZE, X CTR, Y CTR, X LIN, or Y LIN potentiometers on the game PCB (refer to the Schematic Package). If the characters are incorrect, check again for a 2 displayed in the preceding ROM failure test (Screen 1).

**SCREEN 3**

A white box of decreasing size appears during this test. The box should shrink smoothly. There are seven stages, each with a tone. This pattern tests the binary and linear scaling circuitry. Troubleshoot using the game schematics.



**Figure 2-5 Screen 3**

**SCREEN 4**

A series of horizontal lines are visible in the middle of the screen. This is a raster test, used by the manufacturer only, to set the color levels.



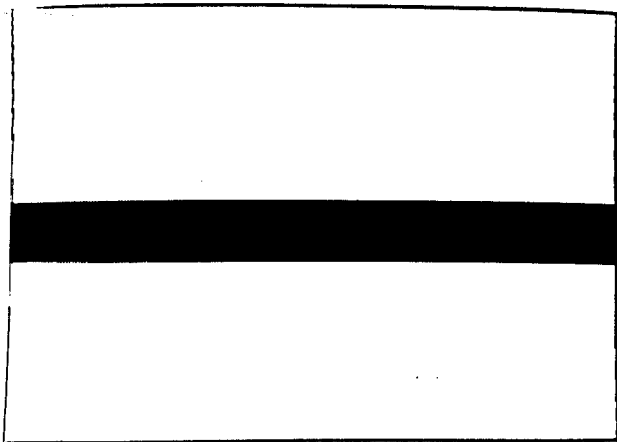


Figure 2-6 Screen 4

**SCREEN 5**

This test checks the seven screen colors and six intensities of each color (see Figure 2-7). If the intensities do not progress from dim at the top of each color group to bright at the bottom, suspect a problem in the Z-axis of the game PCB or the video display. Use this pattern for the display tracking adjustments (refer to the color X-Y display manual).

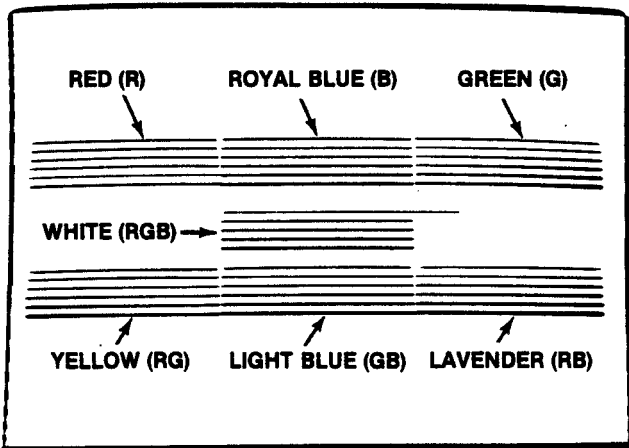


Figure 2-7 Screen 5

**SCREEN 6**

A grid pattern touches the corners of the video display (see Figure 2-8). Press the 1-player start button to change colors. Use this pattern for the display purity and convergence adjustments (refer to the color X-Y display manual).

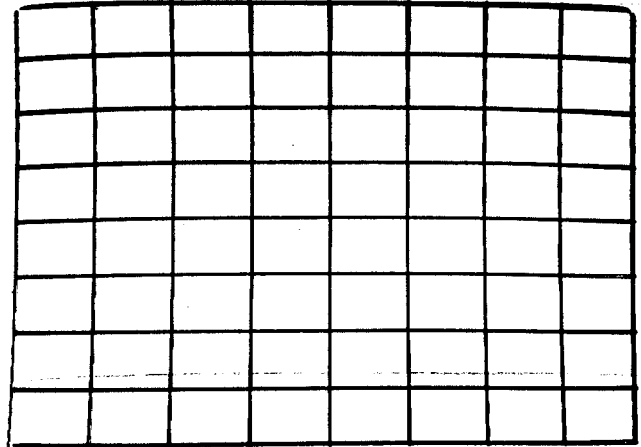


Figure 2-8 Screen 6

### SCREEN 7

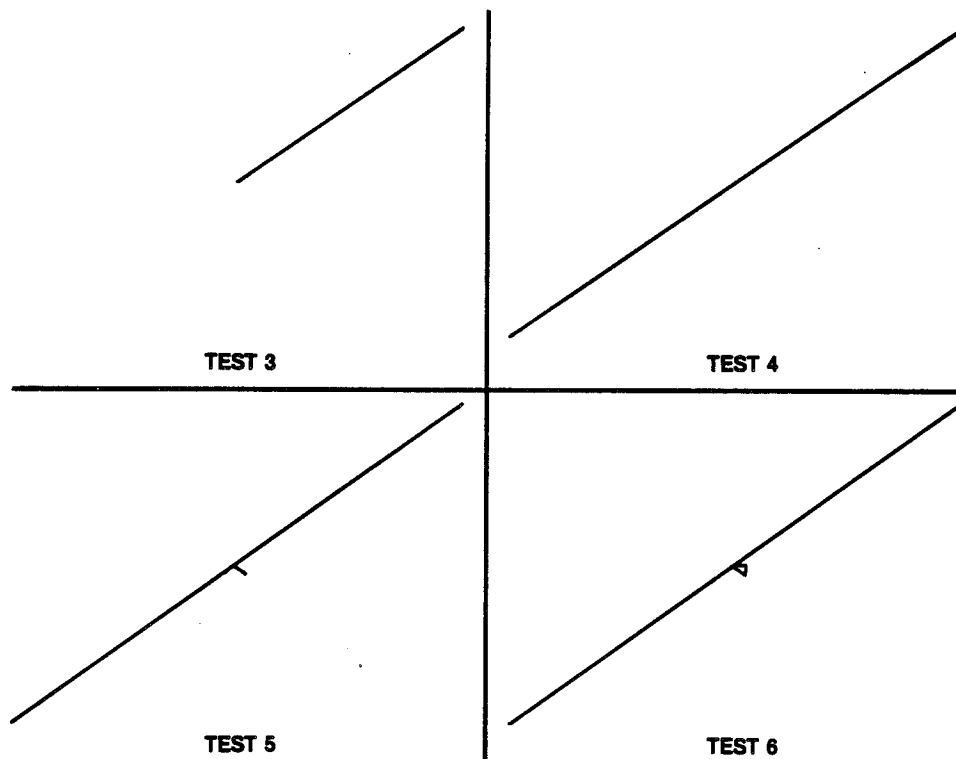
Screen 7 display comprises a diagnostic program controlled by switches 2, 3, and 4 of the 4-toggle option switch at location P10/11 on the game PCB. This group of switches lets you choose one of six tests. These tests provide recurring sequences to make it easy for you to troubleshoot the vector-generator circuitry. The tests and their respective option switch settings are given in Table 2-4.

To display this screen, hold the auxiliary coin switch down, then press the 2-player start button. To exit from this screen, set the self-test switch to off.

During this test, the screen will either be blank or display vectors, depending on the settings of the switches at location P10/11 on the game PCB. Figure 2-9 shows these screens.

**Table 2-4 Vector-Generator Diagnostic Tests**

Test	Action	Settings of 4-Position DIP Switch at P10/11		
		4	3	2
Test 1	Tests WDDIS every 4 msec (blank screen)	Off	Off	Off
Test 2	Tests vector-generator halt instruction every .55 msec (blank screen)	On	Off	Off
Test 3	Tests vector-generator long vector (and halt instruction) every 8.2 msec	Off	On	Off
Test 4	Tests vector-generator jump instruction (and long vector and halt instruction) every 8.2 msec	On	On	Off
Test 5	Tests vector-generator short vector instruction (and all of Test 4) every 8.6 msec	Off	Off	On
Test 6	Tests vector-generator JSRL/RTSL instruction (and all of Test 5) every 10.2 msec	On	Off	On
Test 2	Blank screen	Off	On	On
Test 2	Blank screen	On	On	On



**Figure 2-9 Screen 7—Diagnostic Program Displays**

# Illustrated Parts Lists

This chapter provides information to order parts for your game. Common hardware (screws, nuts, washers, etc.) has been deleted from most of the parts lists. However, a parts list for the hardware needed to mount the game and Regulator/Audio II printed-circuit boards to the cabinet has been included.

The PCB parts lists are arranged in alphabetical order by component type. Each component subsection is arranged alphanumerically by reference designator.

Other parts lists are arranged alphanumerically by Atari part number. In these parts lists, all A- prefix numbers come first. Following these are numbers in sequence evaluated up to the hyphen, namely 00- through 99- then 000598- through approximately 201000-.

When ordering parts, please give the part number, part name, number of this manual, and serial number of your game (see Figure 1-1 for locations of serial numbers.) This will aid in filling your order rapidly and correctly. We hope the results will be less downtime and more profit from your game.

Atari Customer Service numbers are listed on the inside front cover of this manual for your convenience.

Chapter



# A. Cabinet-Mounted Assemblies

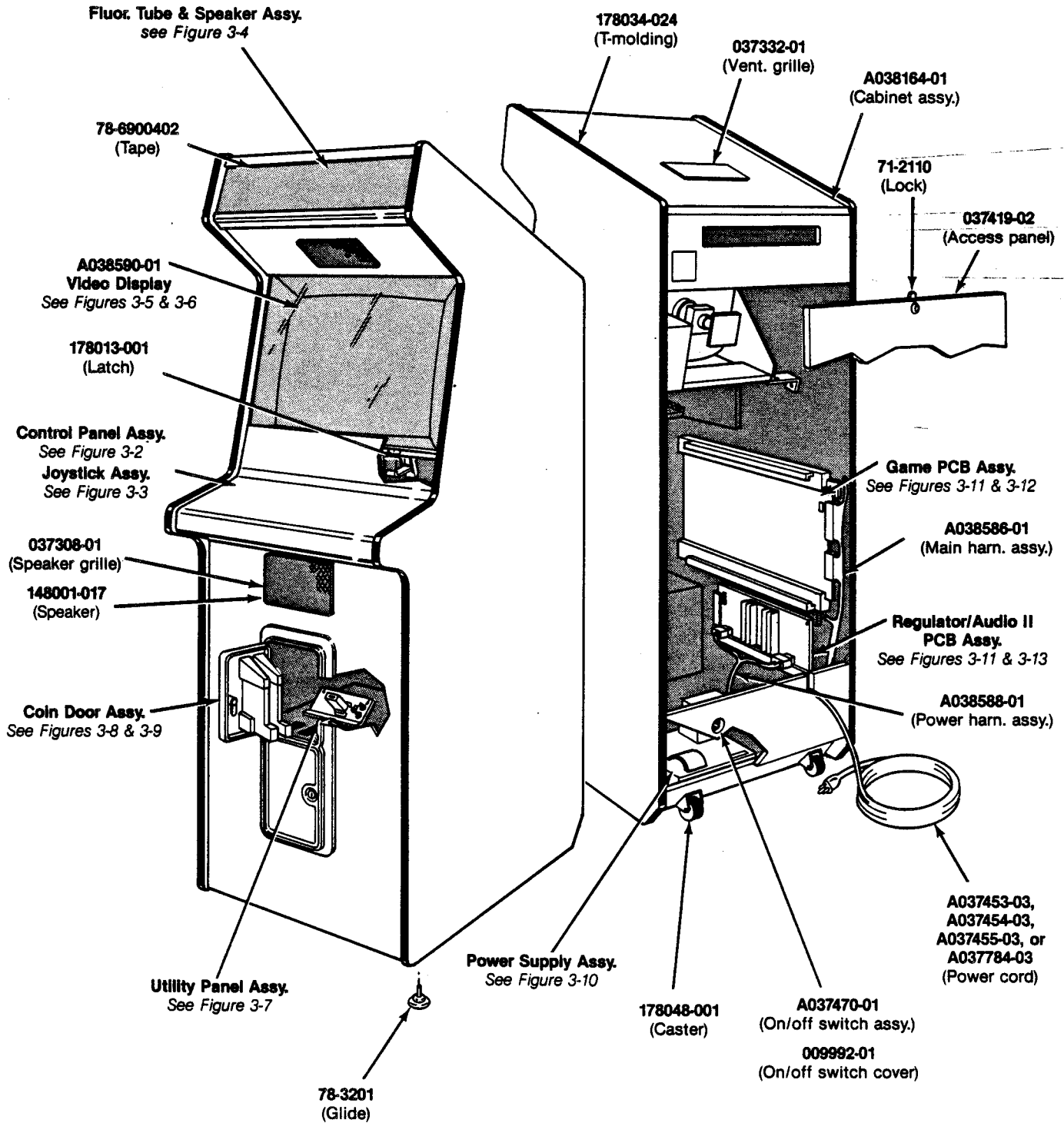


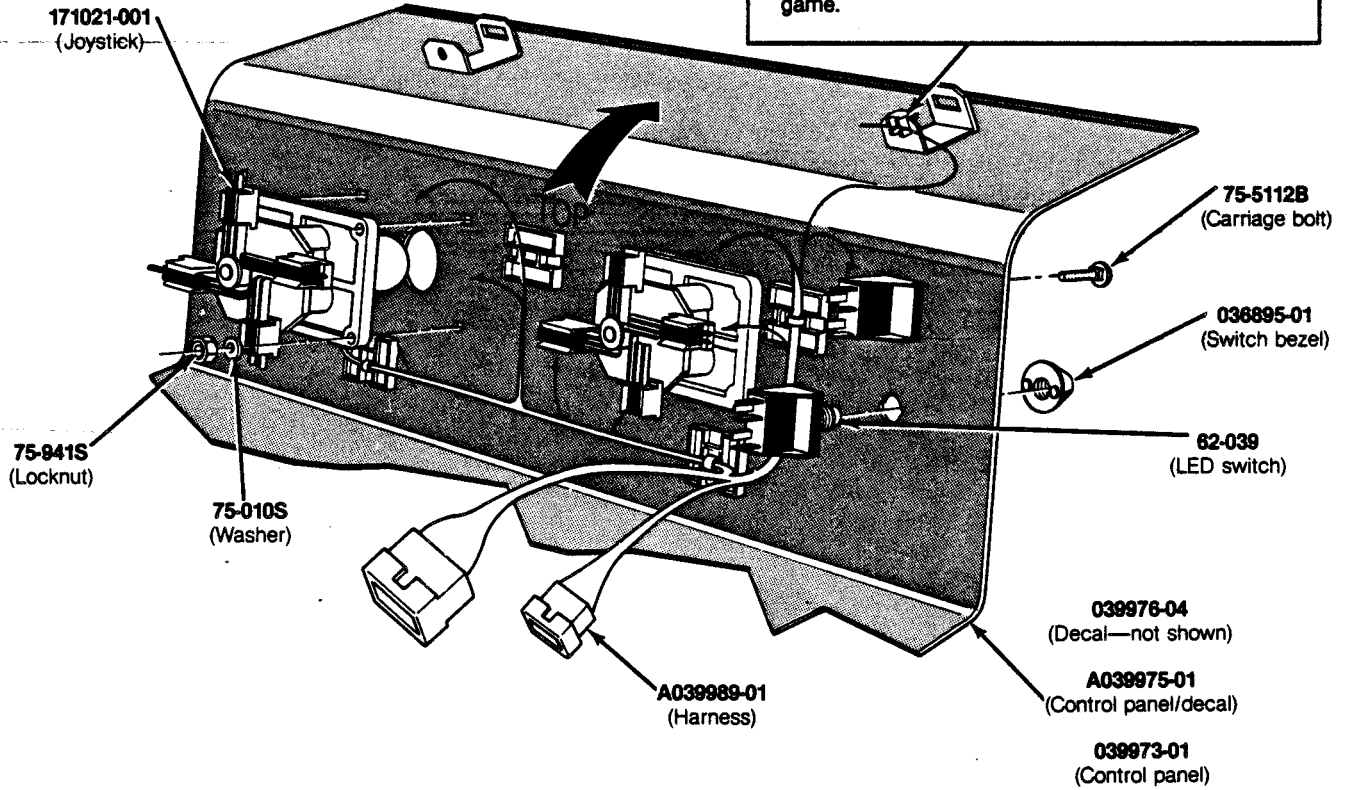
Figure 3-1 Cabinet-Mounted Assemblies

## Cabinet-Mounted Assemblies Parts List

Part No.	Description
A002465-01	Coin Counter
A037453-03	Strain-Relief Power Cord <i>(U.S. and Canada)</i>
A037455-03	Strain-Relief Power Cord <i>(Australia and New Zealand)</i>
A037470-01	Power On/Off Switch/Mounting Plate Assembly
A037784-03	Strain-Relief Power Cord <i>(United Kingdom, Ireland, Lebanon, Saudi Arabia, India, Hong Kong, Singapore, Egypt, Nigeria, Republic of South Africa, Zimbabwe)</i>
A038164-01	Cabinet Assembly <i>(includes glides and PCB retainers, but not the rear access panel)</i>
A038586	Main Harness Assembly
A038588-01	Power Harness Assembly
A038590-01	19-Inch Wells-Gardner Color X-Y Video Display Assembly
A039990-01	Main Conversion Harness Assembly <i>(not shown)</i>
<i>The following four items are the technical information supplements to this game:</i>	
SP-234	Black Widow Schematic Package
ST-234-01	Black Widow Label with Self-Test Procedure and Option Switch Settings
TM-183	Service Manual for 19-Inch Wells Gardner Color X-Y Display
TM-234	Black Widow Operators Manual
71-2110	Lock Mechanism <i>(for rear access panel)</i>
78-3201	Adjustable Glide
78-6900402	Vinyl Foam Single-Coated Adhesive Tape, ¼-Inch Wide x ½-Inch Thick
009992-01	On/Off Switch Cover
037308-01	Speaker Grille
037332-01	Ventilation Grille
037419-02	Rear Access Panel <i>(does not include lock)</i>
038091-01	Molded Coin Box <i>Acceptable substitute is part no. A037491-01</i>
178013	Spring Draw Latch
178034-024	¾-Inch Black Plastic T-Molding
178048-001	2-Inch Rigid Caster

# B. Control Panel Assembly

**WARNING**  
 Players may receive an electrical shock if this control panel is not properly grounded! After servicing any parts on the panel, check that the ground wire is firmly attached to the metal tab on the inside of the control panel. Only then should you lock up the game.



↑  
 TOP

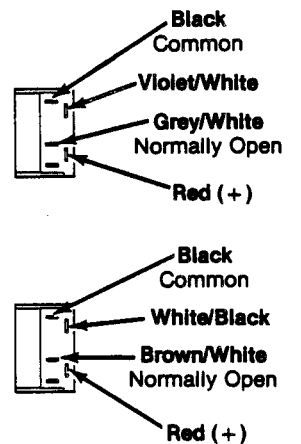
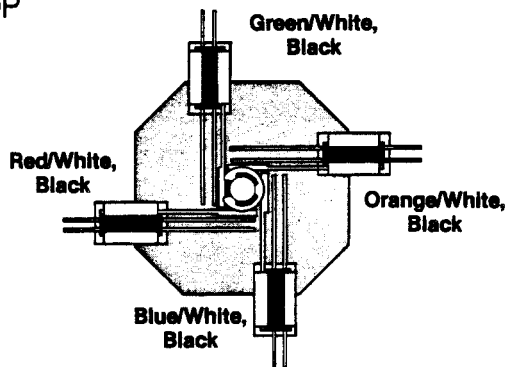
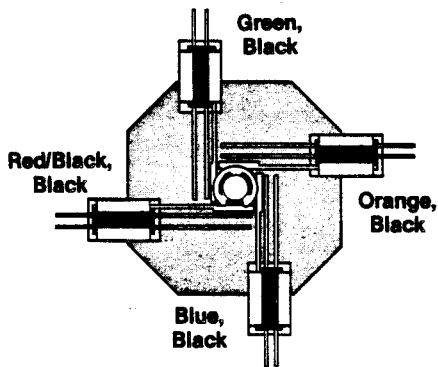


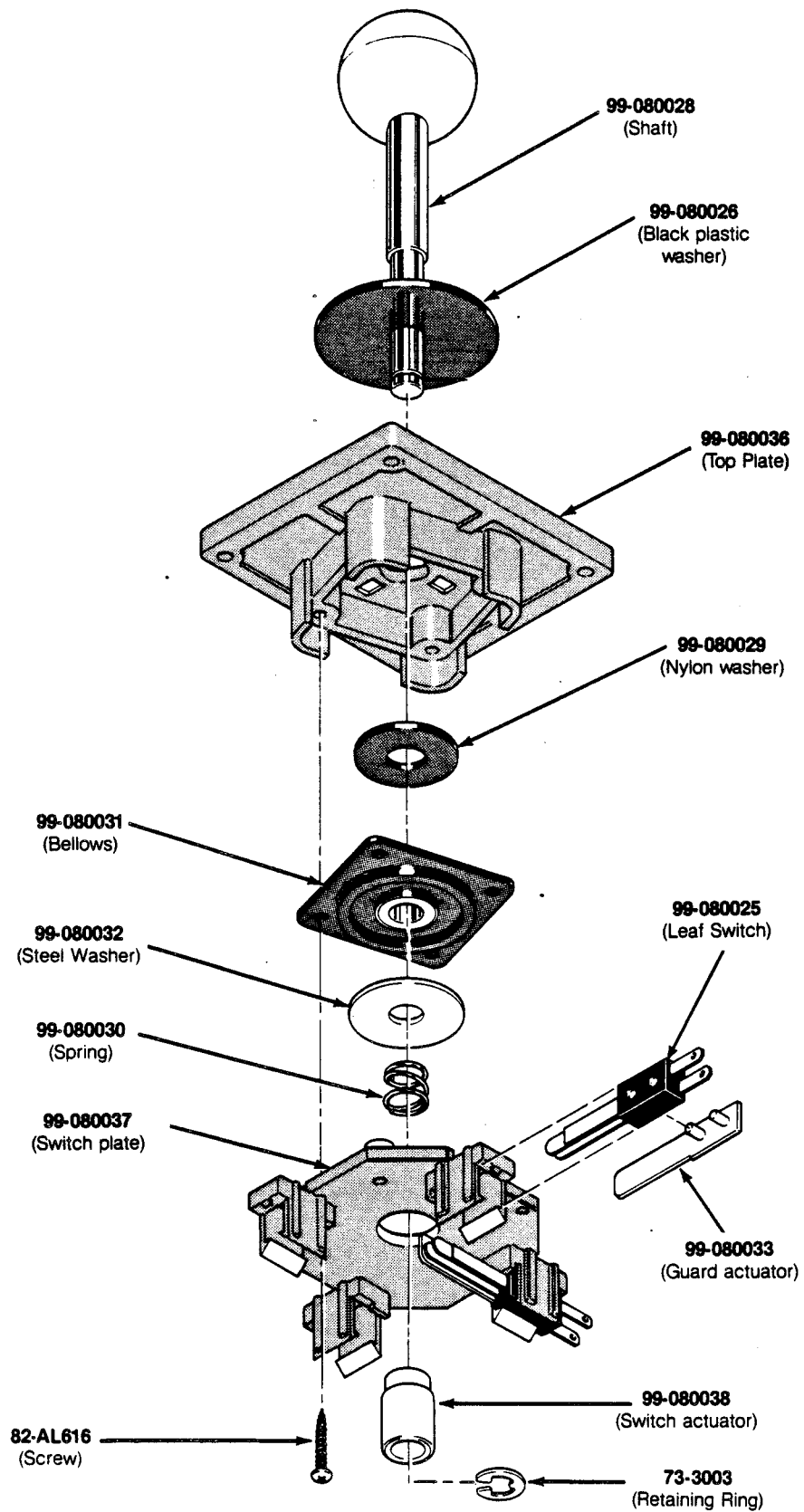
Figure 3-2 Control Panel Assembly  
 A039974-01 A

## Control Panel Assembly Parts List

---

<i>Part No.</i>	<i>Description</i>
A039975-01	Control Panel with Decal
A039989-01	Control Panel Harness Assembly
62-039	SPDT Momentary Pushbutton Start Switch with Red Light-Emitting Diode
75-010S	#10 Flat Washer
75-941S	#10-24 Hexagonal Locknut
75-5112B	#10-24 x 3/4-Inch Black Carriage Bolt
78-6900402	Vinyl Foam Single-Coated Adhesive Tape, 1/4-Inch Wide x 1/8-Inch Thick
036895-01	Black Molded Switch Bezel
039973-01	Control Panel
039976-04	Control Panel Decal
171021-001	8-Position Joystick

---



**Figure 3-3 8-Position Joystick Assembly  
171021-001**



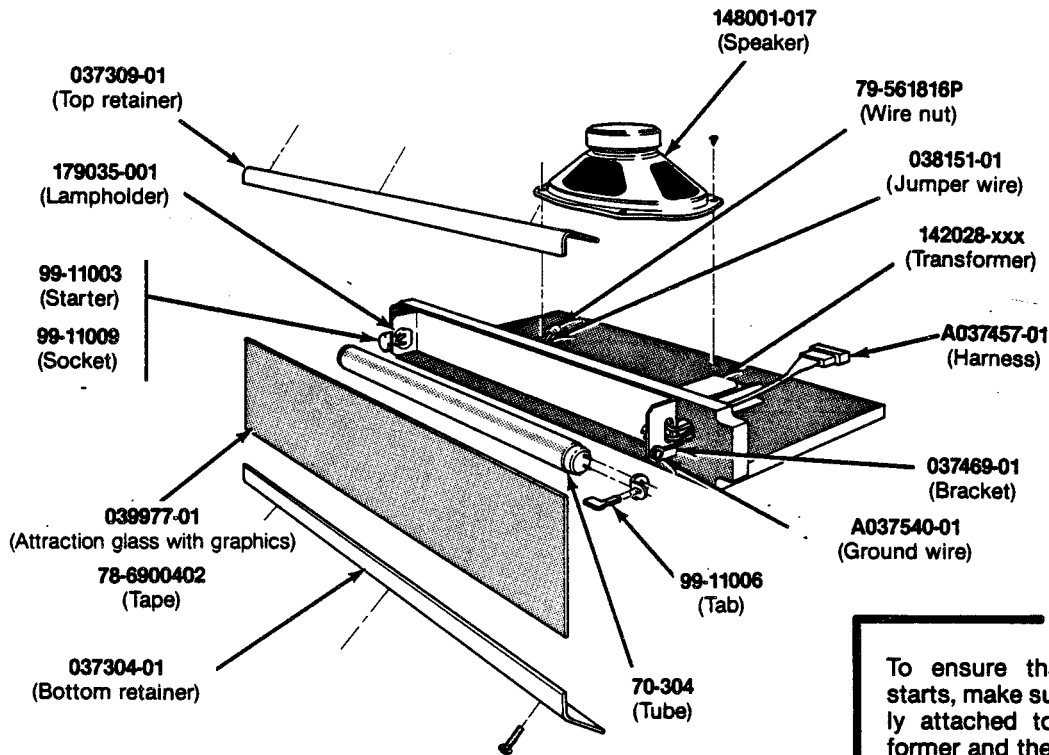
## 8-Position Joystick Assembly Parts List

---

<i>Part No.</i>	<i>Description</i>
73-3003	Retaining Ring
82-AL616	#6 x 1-Inch Cross-Recessed Pan-Head Type BT Self-Tapping Steel Screw
99-080025	Leaf Switch
99-080026	2-Inch Black Plastic Washer
99-080028	Metal Shaft
99-080029	Nylon Washer
99-080030	Spring
99-080031	Bellows
99-080032	Flat Steel Washer
99-080033	Plastic Guard/Actuator
99-080036	Top Plate
99-080037	Switch Mounting Plate
99-080038	Nylon Switch Actuator

---

# C. Fluorescent Tube and Speaker

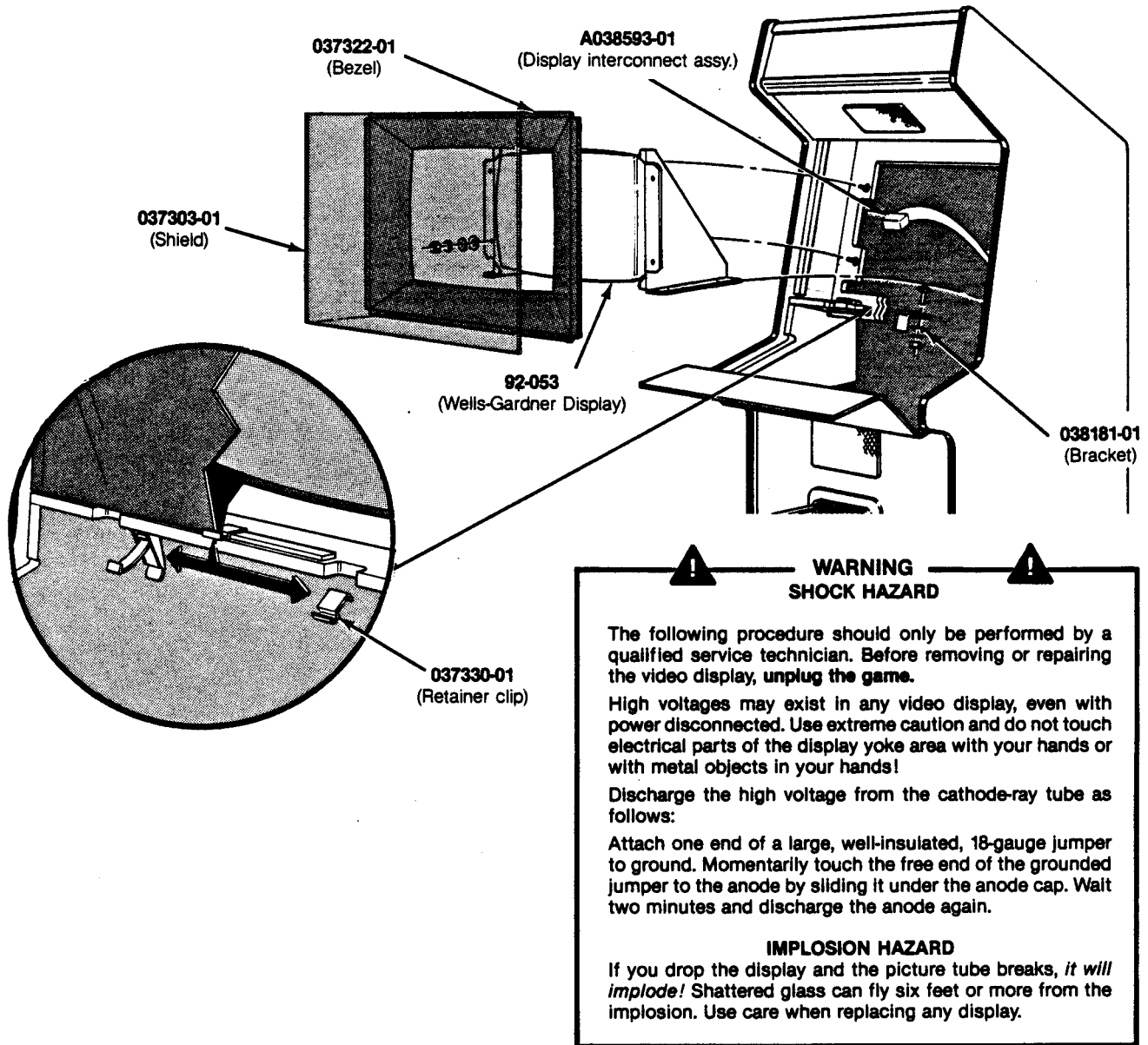


**NOTE**  
 To ensure that the fluorescent tube starts, make sure the ground wire is firmly attached to both the ballast transformer and the steel lamp bracket.

**Figure 3-4 Fluorescent Tube and Speaker  
 A038161-01 & -02 A  
 Parts List**

Part No.	Description
A037457-01	Tube and Speaker Harness Assembly
A037540-01	Ground Wire with Ring Lug
70-304	18-Inch, 15-W, Cool White Fluorescent Tube
78-6900402	Vinyl Foam Single-Coated Adhesive Tape, 1/4-inch Wide x 1/8 inch Thick
79-561816P	Spring-Connector Wire Nut for 16- to 18-Gauge Wires
99-11003	Fluorescent Lamp Starter
99-11006	Fluorescent Lamp Locking Tab (tab consists of two pieces)
99-11009	Starter Socket
037304-01	Bottom Attraction Glass Retainer
037309-01	Top Attraction Glass Retainer
037469-01	Steel Lamp Bracket
038151-01	15-Inch Jumper Wire
039977-01	Attraction Glass with Graphics
142028-001	60 Hz, 118 V, Ballast Transformer (used on A038161-01 assembly)
142028-002	50 Hz, 118 V, Ballast Transformer (used on A038161-02 assembly)
148001-017	6 x 9-Inch, 8Ω, 6-Ounce Oval Shielded High-Fidelity Speaker
179035-001	2-Pin Fluorescent Lampholder

# D. Video Displays



**Figure 3-5 Wells-Gardner Video Display Parts List**

Part No.	Description
A038593-01	Wells-Gardner Interconnect Assembly
92-053	19-inch Wells-Gardner Color X-Y CRT
038181-01	Video Display Support Bracket
037303-01	Display Shield
037322-01	Display Bezel
037330-01	Display Shield Retainer Clip
038184-01	Static Shield

**WARNING**  
**SHOCK HAZARD**

The following procedure should only be performed by a qualified service technician. Before removing or repairing the video display, **unplug the game.**

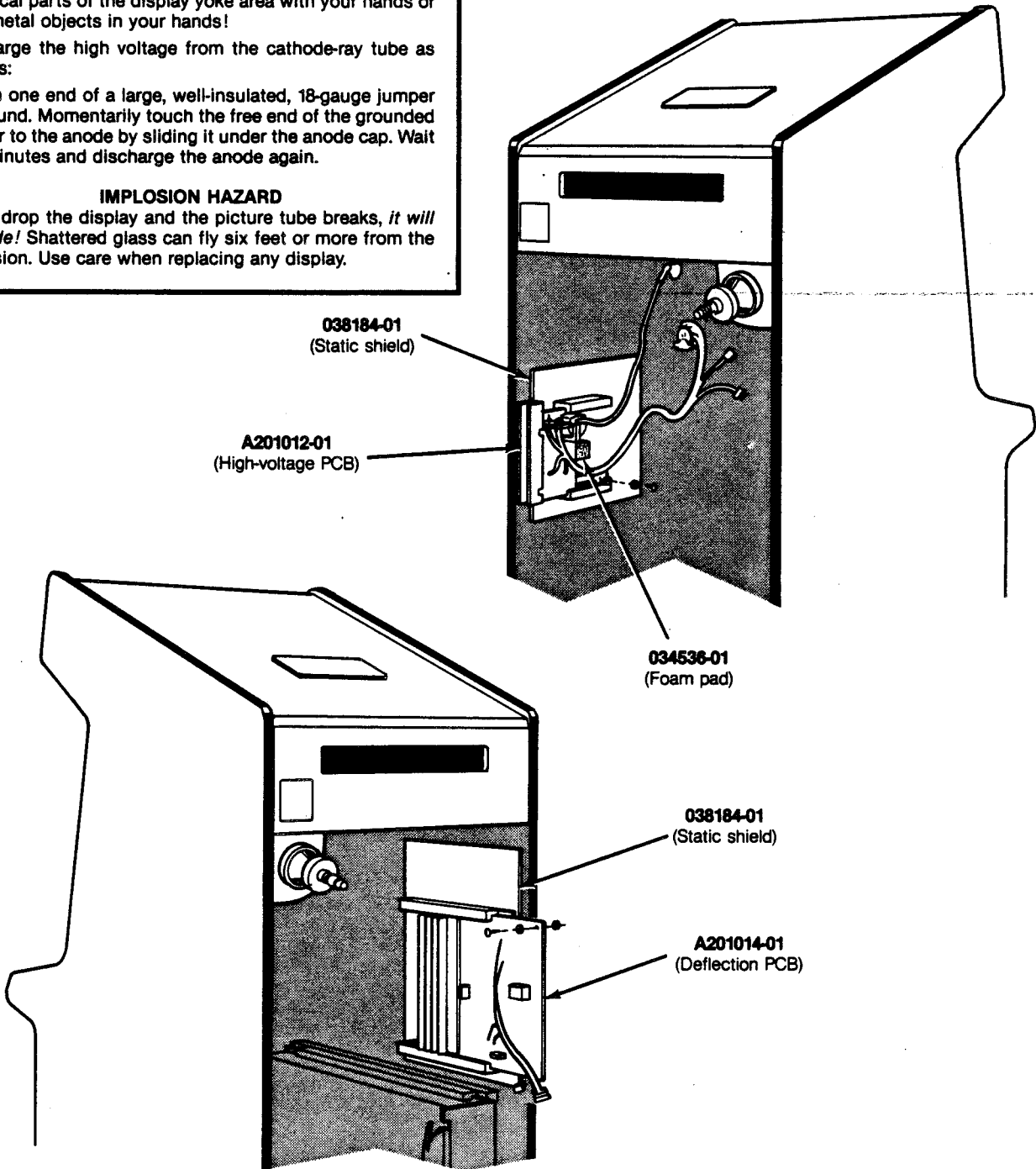
High voltages may exist in any video display, even with power disconnected. Use extreme caution and do not touch electrical parts of the display yoke area with your hands or with metal objects in your hands!

Discharge the high voltage from the cathode-ray tube as follows:

Attach one end of a large, well-insulated, 18-gauge jumper to ground. Momentarily touch the free end of the grounded jumper to the anode by sliding it under the anode cap. Wait two minutes and discharge the anode again.

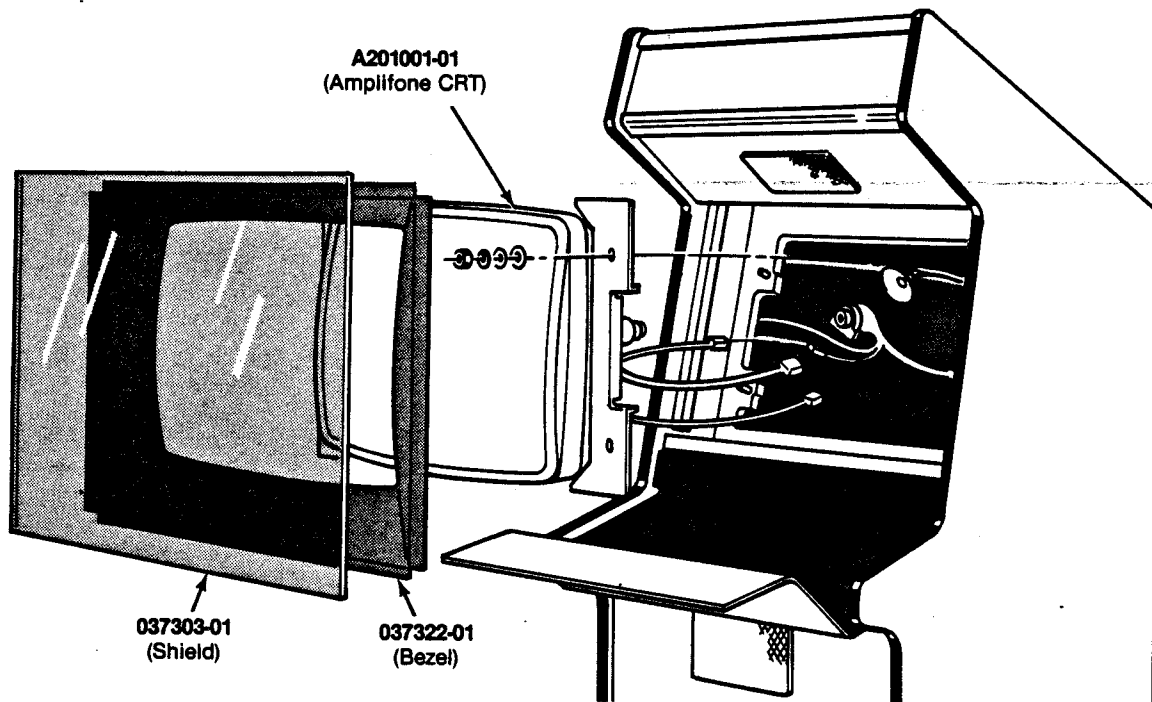
**IMPLOSION HAZARD**

If you drop the display and the picture tube breaks, *it will implode!* Shattered glass can fly six feet or more from the implosion. Use care when replacing any display.



**Figure 3-6 Amplifone Video Display**

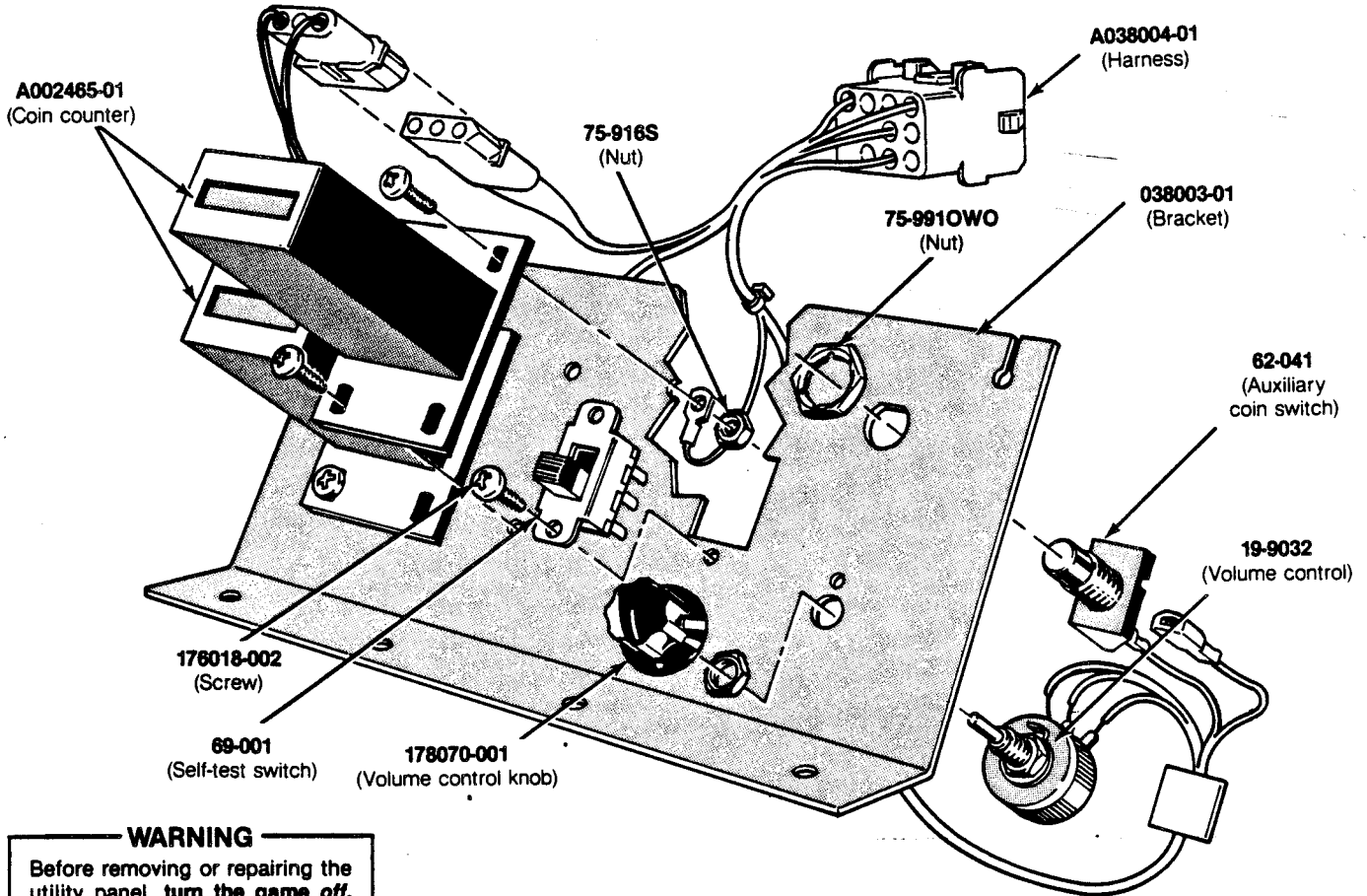
**NOTE**  
 Amplifone CRT (A201001-01) and Deflection PCB (A201014-01) are shipped as a matched, calibrated pair and should be used as such.



**Figure 3-6 Amplifone Video Display Parts List**

<i>Part No.</i>	<i>Description (Reference Designations and Locations in Bold)</i>
<b>Amplifone Display Assembly A200000-01</b>	
A201001-01	19-Inch Amplifone Color X-Y CRT
A201012-01	High-Voltage PCB
A201014-01	Deflection PCB
034536-02	Foam Pad <i>(used with High-Voltage and Deflection PCBs)</i>
037303-01	Display Shield
037322-01	Display Bezel
037330-01	Display Shield Retainer Clip
038184-01	Static Shield

# E. Utility Panel Assembly



**WARNING**  
 Before removing or repairing the utility panel, turn the game off. Players may receive an electrical shock if the utility panel is not properly grounded! After servicing any parts on the panel, make sure that the ground wire is firmly attached to the metal screw on the back of the coin counter.

**Figure 3-7 Utility Panel Assembly Parts List**

Part No.	Description
A002465-01	6 V Coin Counter
A038004-01	Utility Panel Harness
19-9032	Volume Control
62-041	SPDT Momentary-Contact Pushbutton Auxiliary Coin Switch with Black Cap
69-001	DPDT Self-Test Switch
75-916S	#6-32 Standard Machine Nut
038003-01	Utility Panel
75-9910W0	$\frac{1}{32}$ -32 Stamped Nut
176018-002	#6-32 x 1/2-Inch Pan Head Machine Screw
178070-001	Volume Control Knob

# F. Coin Door Assemblies

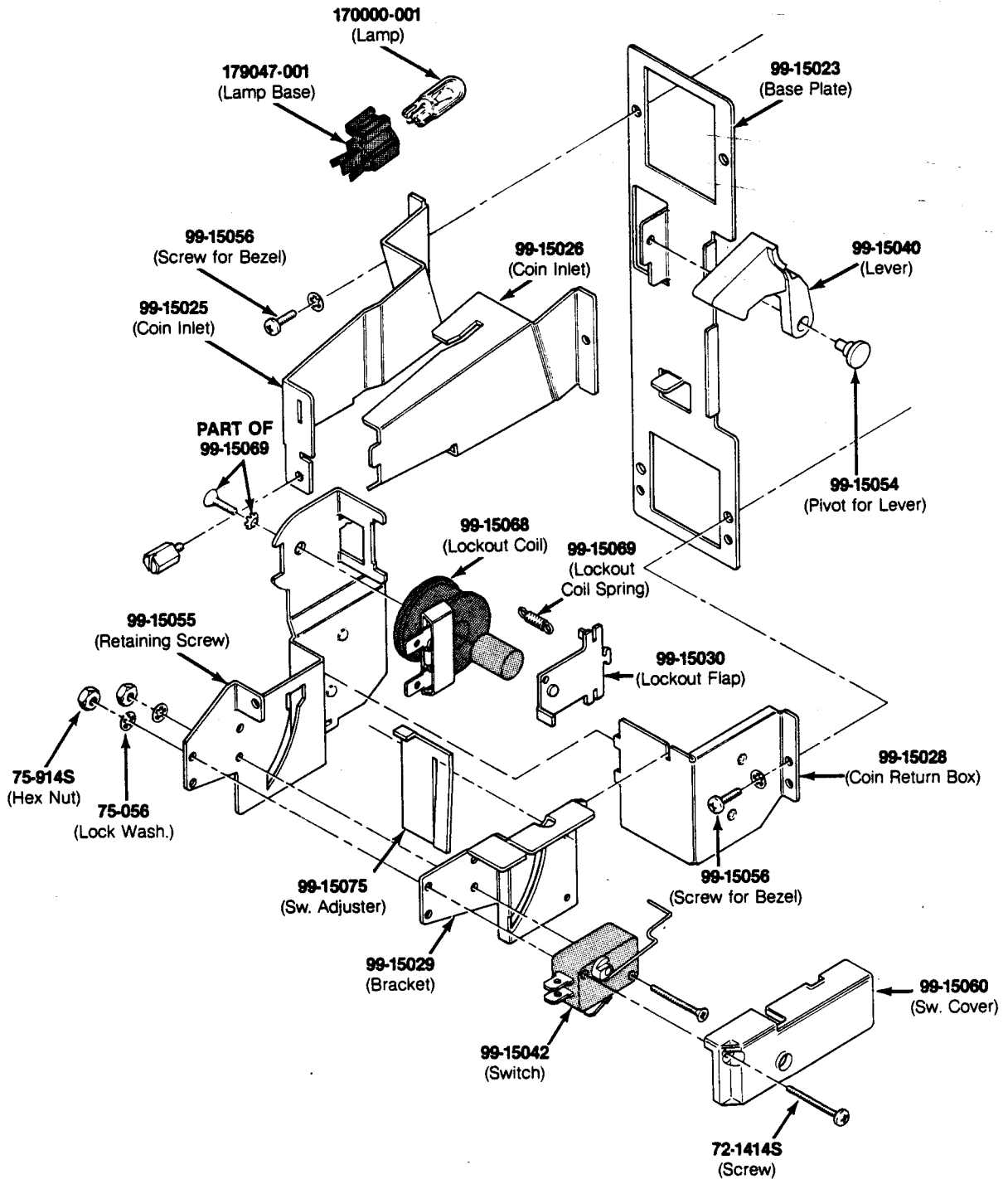
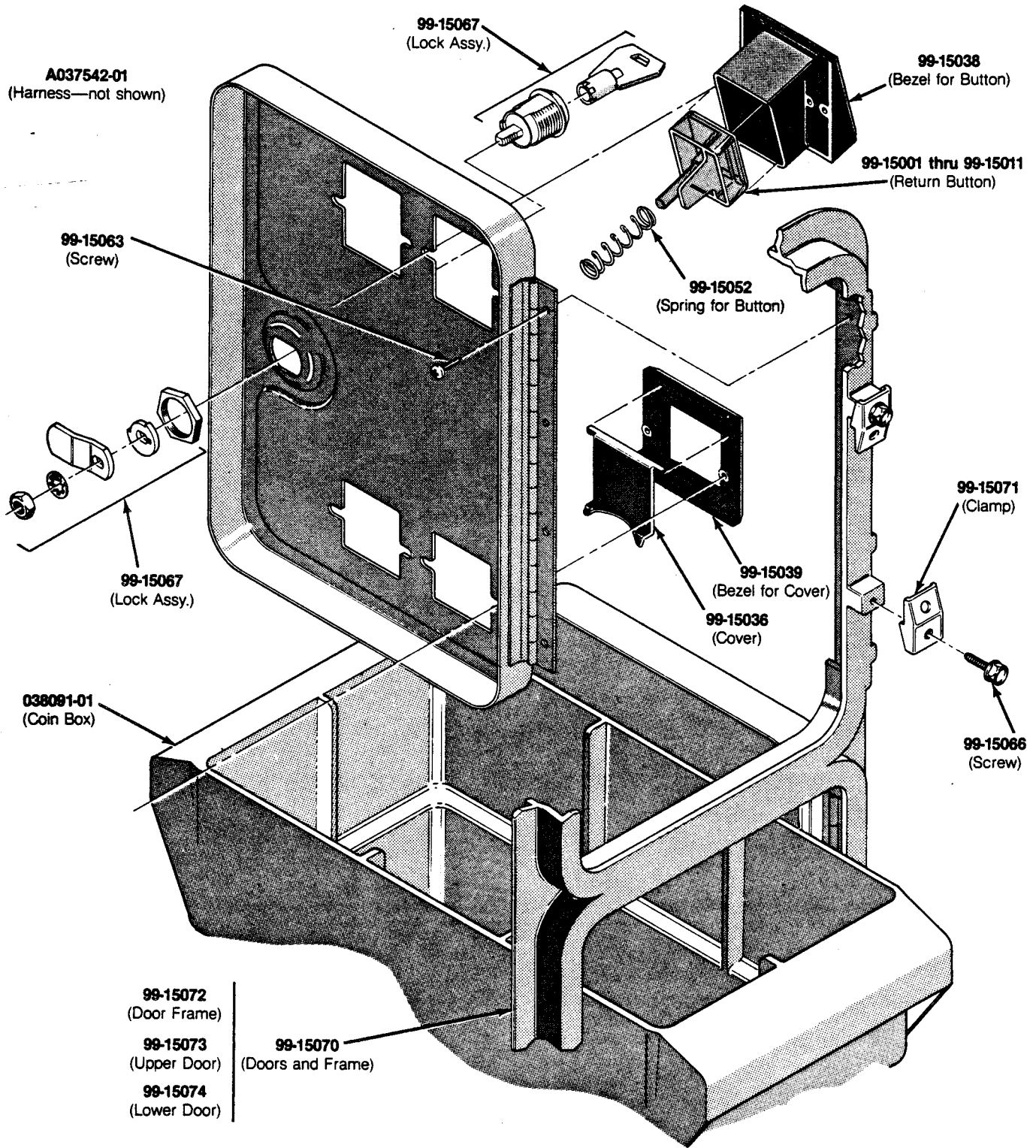


Figure 3-8 Vertically Mounted Coin Door  
A037619-xxx D



- A037619-01 — U.S. 25¢/25¢ Coin Door
- A037619-02 — U.S. 50¢/50¢ Coin Door
- A037619-03 — Canadian 25¢/25¢ Coin Door
- A037619-04 — British 10 P/10 P Coin Door
- A037619-05 — British 10 P/50 P Coin Door
- A037619-06 — British 20 P/50 P Coin Door
- A037619-07 — Australian 20¢/20¢ Coin Door

- A037619-08 — German 1 DM/1 DM Coin Door
- A037619-09 — German 2 DM/1 DM Coin Door
- A037619-10 — German 2 DM/5 DM Coin Door
- A037619-11 — German 1 DM/5 DM Coin Door
- A037619-12 — 5 Fr/5 Fr Coin Door
- A037619-13 — Swiss 1 Fr/1 Fr Coin Door
- A037619-14 — French 1 Fr/1 Fr Coin Door

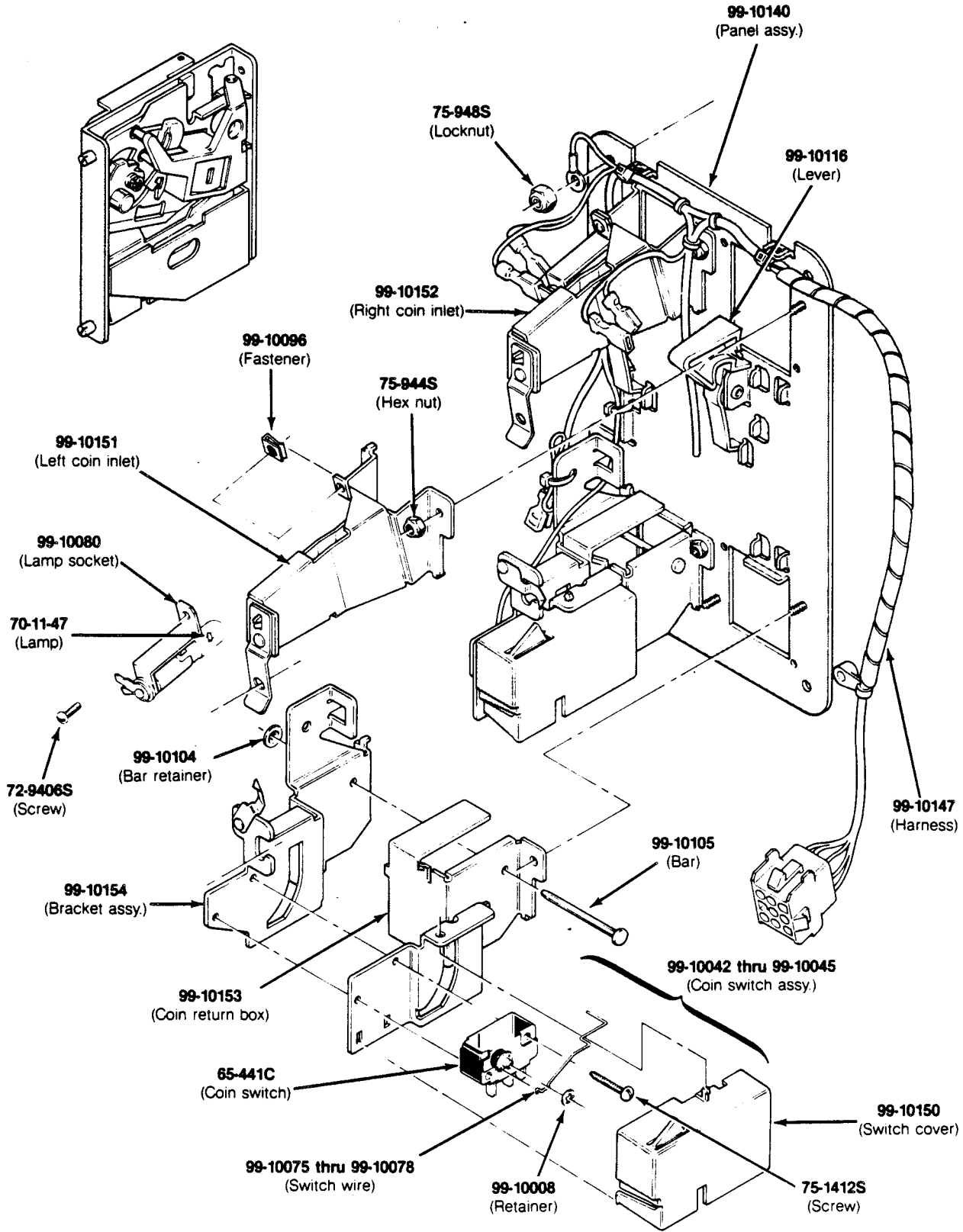
- A037619-15 — French 2 Fr/1 Fr Coin Door
- A037619-16 — Swedish 1 Kr/1 Kr Coin Door
- A037619-17 — Spanish 25 Pts/25 Pts Coin Door
- A037619-18 — Italian 100 L/100 L Coin Door
- A037619-19 — Hong Kong \$1/\$1 Coin Door
- A037619-20 — Japanese 100Y/100Y Coin Door

**Figure 3-8 Vertically Mounted Coin Door, continued**  
**A037619-xxx D**

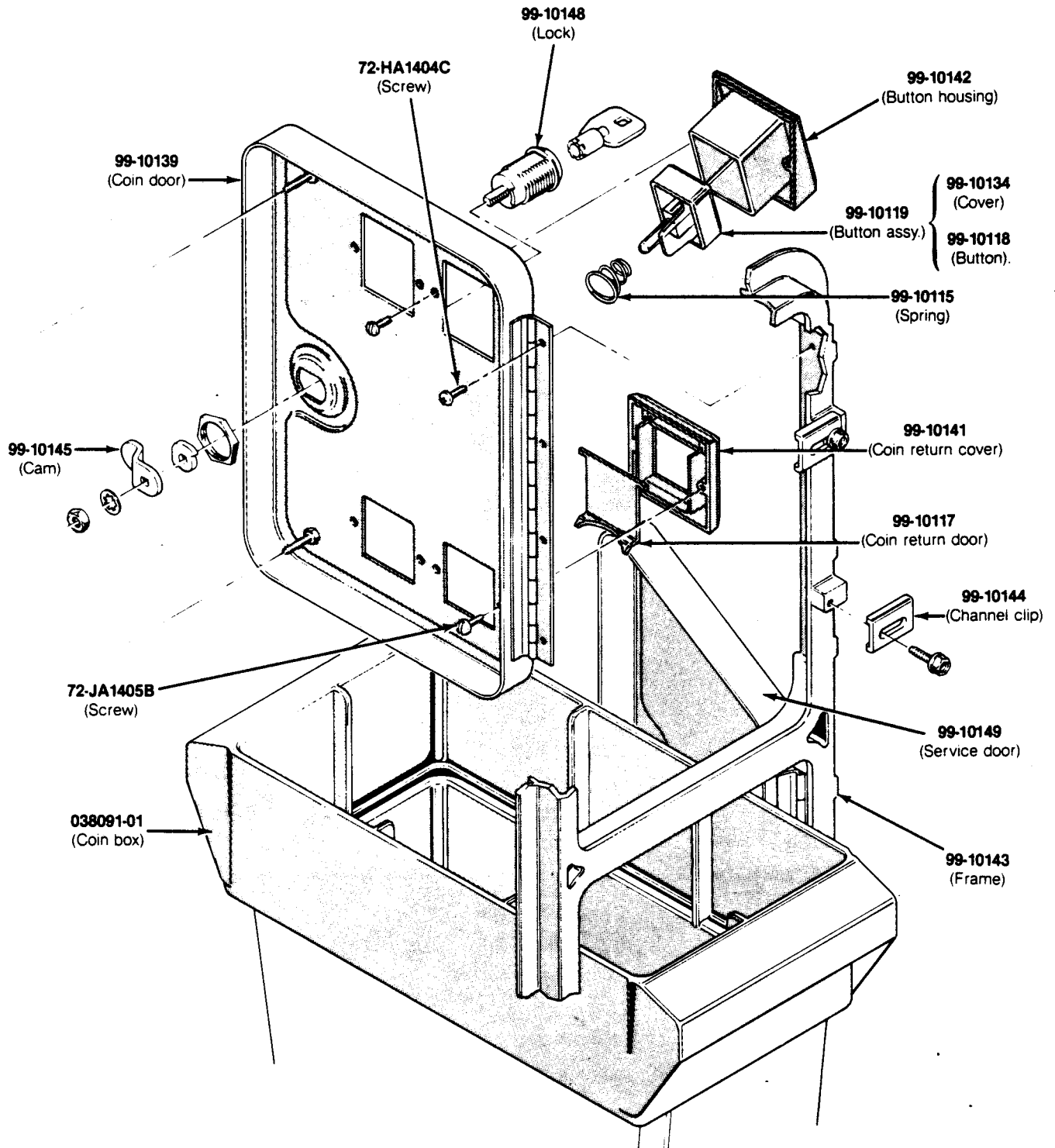


## Vertically Mounted Coin Door Parts List

Part No.	Description
A037542-01	Harness Assembly
72-1414S	#4-40 × 7/8-Inch Cross-Recessed Pan-Head Steel Machine Screw
75-056	#6 Internal-Tooth Zinc-Plated Steel Lock Washer
75-914S	#4-40 Steel Machine Hex Nut
75-3414S	#4-40 × 7/8-Inch 82° Cross-Recessed Flat-Head Steel Machine Screw
99-15001	Coin Return Button with U.S. 25¢ Price Plate
99-15002	Coin Return Button with U.S. \$1 Price Plate
99-15003	Coin Return Button with German 1 DM Price Plate
99-15004	Coin Return Button with German 2 DM Price Plate
99-15005	Coin Return Button with German 5 DM Price Plate
99-15006	Coin Return Button with Belgian 5 Fr Price Plate
99-15007	Coin Return Button with French 1 Fr Price Plate
99-15008	Coin Return Button with Japanese 100 Yen Price Plate
99-15009	Coin Return Button with British 10 Pence Price Plate
99-15010	Coin Return Button with Australian 20¢ Price Plate
99-15011	Coin Return Button with Italian 100 Lire Price Plate
99-15023	Base Plate
99-15025	Left Half of Coin Inlet
99-15026	Right Half of Coin Inlet
99-15027	Side Plate of Coin Return Box
99-15028	Base Plate of Coin Return Box
99-15029	Switch Bracket
99-15030	Flap for Lockout Coil (U.S. 25¢)
99-15036	Metal Coin Return Cover
99-15038	Bezel for Coin Return Button
99-15039	Metal Bezel for Coin Return Cover
99-15040	Coin Return Lever
99-15042	Coin Switch for U.S. 25¢
99-15052	Spring for Coin Return Button
99-15054	Pivot for Coin Return Lever
99-15055	Retaining Screw
99-15056	#4-40 × 7/8-Inch Cross-Recessed Pan-Head Steel Machine Screw
99-15060	Switch Cover
99-15063	Screw for Hinge
99-15066	Screw for Clamp
99-15067	Lock Assembly
99-15068	Lockout Coil
99-15069	Spring for Lockout Coil
99-15070	Doors and Frame
99-15071	Clamp for Frame
99-15072	Door Frame
99-15073	Upper Door
99-15074	Lower Door
99-15075	Switch Adjuster
038091-01	Coin Box <i>(Not included in assembly) Acceptable substitute is part number A037491-01</i>
170000-001	6.3V Miniature Wedge-Base Incandescent Lamp
171006-035	Metal Coin Mechanism
179047-001	Lamp Base



**Figure 3-9 American-Made Coin Door Assembly  
171027-001 A**



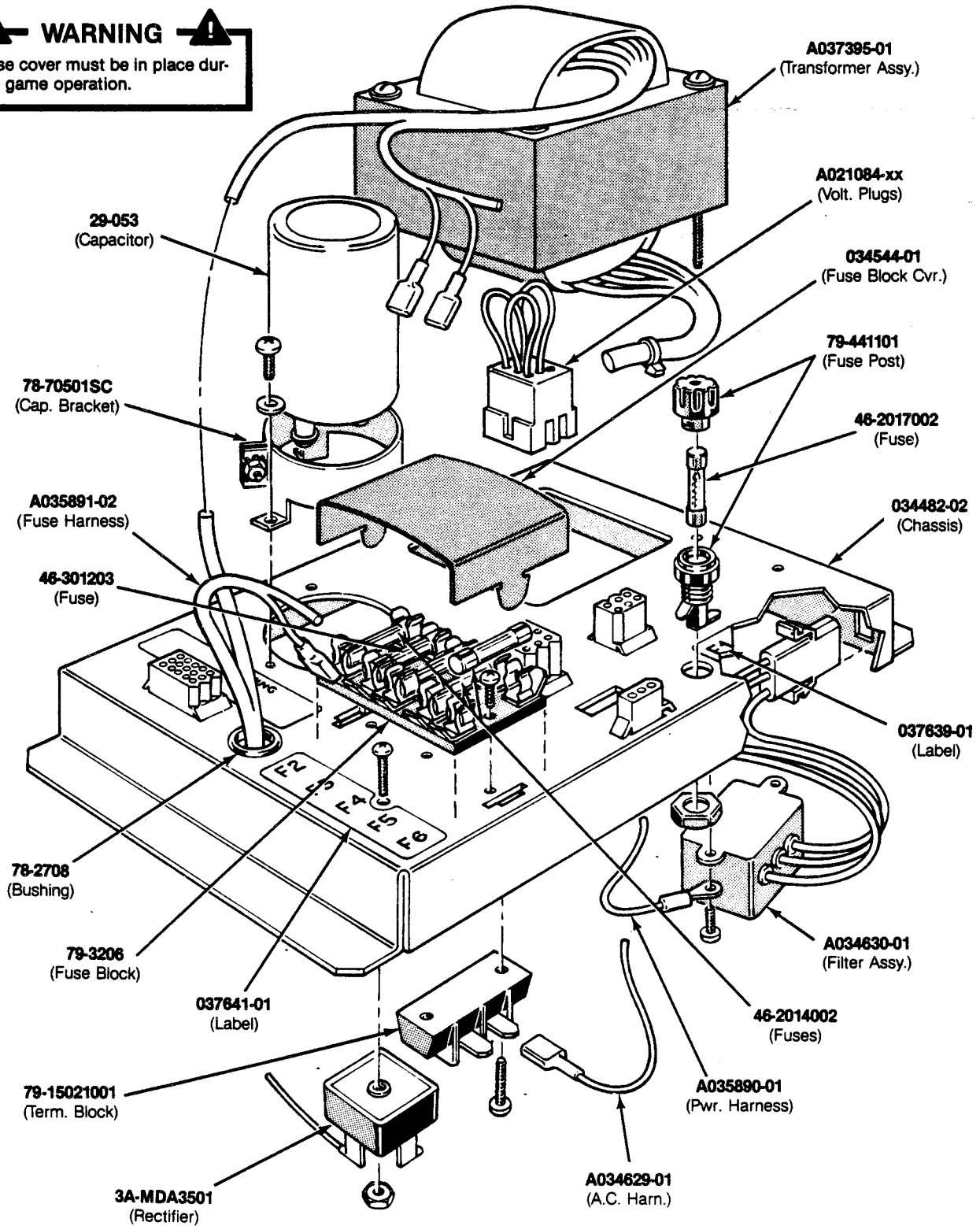
**Figure 3-9 American-Made Coin Door Assembly, continued**  
171027-001 A

## American-Made Coin Door Assembly Parts List

<i>Part No.</i>	<i>Description</i>
171006-035	Metal Coin Mechanism for U.S. \$.25
65-441C	Coin Switch
70-11-47	Miniature Bayonet Lamp
72-9406S	#4-40 x 3/8-Inch Truss-Head Screw
72-HA1404C	#4-40 x 1/4-Inch Pan-Head Screw
72-JA1405B	#4-40 x .31-Inch Pan-Head Screw
75-1412S	#4-40 x 3/4-Inch Pan-Head Screw
75-944S	#4-40 Locknut
99-10008	Retainer
99-10042	Coin Switch Assembly for Belgian 5 Fr and U.S. \$.25
99-10043	Coin Switch Assembly for German 1 DM, Japanese 100 Yen, Swiss 1 Fr
99-10044	Coin Switch Assembly for German 2 DM, Italian 100 L, U.S. \$1.00
99-10045	Coin Switch Assembly for Australian \$.20, German 5 DM, British 10 P
99-10068	Coin Return Chute
99-10075	Switch wire (included in coin switch assembly)
99-10076	Switch wire (included in coin switch assembly)
99-10077	Switch wire (included in coin switch assembly)
99-10078	Switch wire (included in coin switch assembly)
99-10080	Lamp socket
99-10081	Key holder
99-10096	Fastener
99-10104	Bar retainer
99-10105	Bar
99-10115	Spring
99-10116	Plastic Coin Return Lever
99-10117	Steel Coin Return Door
99-10118	Amber Coin Return Button
99-10119	Amber Coin Button for U.S. \$.25
99-10134	Coin Button Cover
99-10139	Coin Door
99-10140	Coin Door Inner-Panel Assembly
99-10141	Diecast Coin Return Cover
99-10142	Diecast Button Housing
99-10143	Coin Door Frame
99-10144	Coin Door Channel Clip
99-10145	Offset Cam
99-10146	Coin Inlet Chute Assembly
99-10147	American-Made Coin Door Harness
99-10148	Lock Assembly
99-10149	Service Door
99-10150	Switch Cover
99-10151	Left Coin Inlet
99-10152	Right Coin Inlet
99-10153	Coin Return Box
99-10154	Bracket Assembly

# G. Power Supply Assembly

**WARNING**  
 Fuse cover must be in place during game operation.



**Figure 3-10 Color X-Y Power Supply Assembly  
 A037396-xx D**

## Color X-Y Power Supply Assembly Parts List

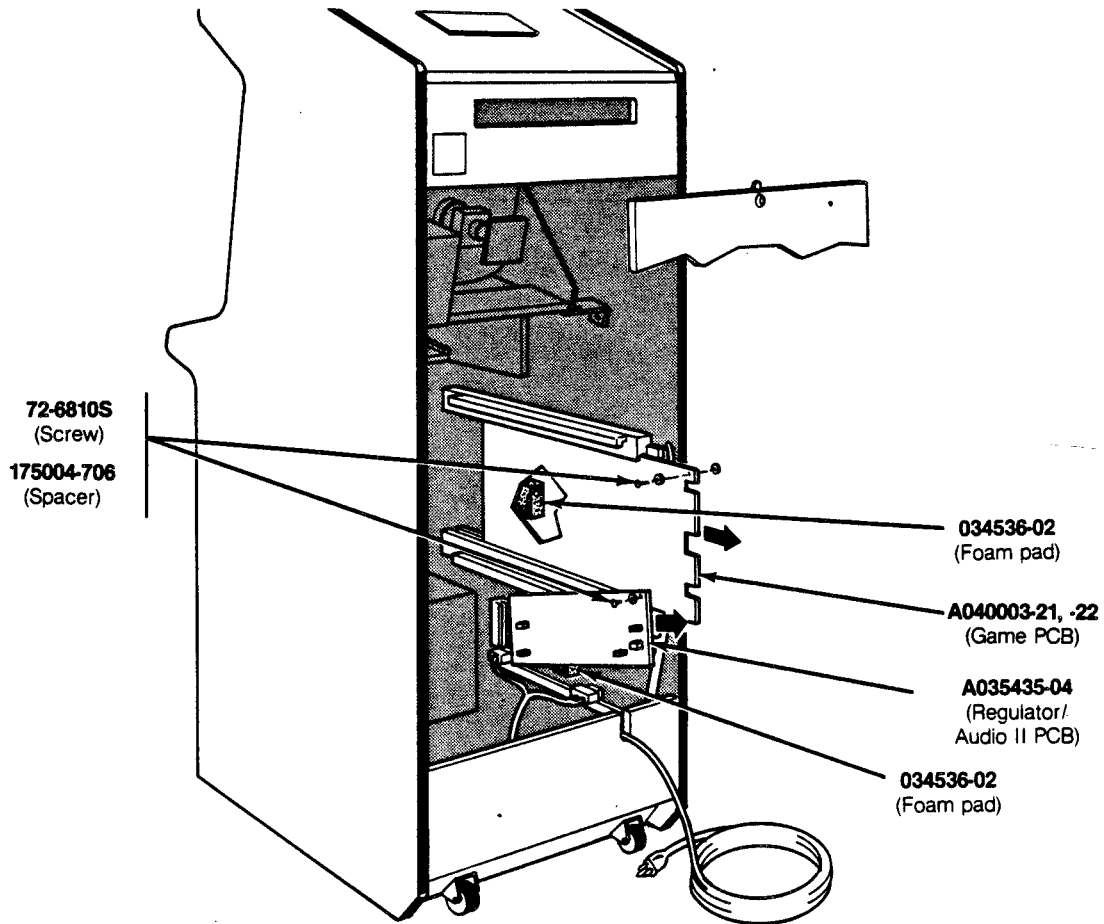
Part No.	Description (Reference Designations in Bold)
A021084-01	Voltage Plug for 100 V ( <i>violet</i> )
A021084-02	Voltage Plug for 120 V ( <i>yellow</i> )
A021084-04	Voltage Plug for 220 V ( <i>blue</i> )
A021084-05	Voltage Plug for 240 V ( <i>brown</i> )
A034629-01	AC Harness Assembly
A034630-01	RFI Filter Assembly ( <b>FL1</b> )
A035890-01	Power Harness Assembly
A035891-02	Fuse Harness Assembly
A037395-01	Color X-Y Transformer Assembly ( <b>T1</b> )
29-053	27,000 $\mu$ F 15 VDC Electrolytic Capacitor ( <b>C1</b> )
3A-MDA3501	Type-MDA 3501 Bridge Rectifier ( <b>CR1</b> )
46-2014002	4 A, 250 V, 3AG Slow-Blow Glass Cartridge-Type Fuse ( <b>F2, F4-F6</b> )
46-2017002	7 A, 250 V, 3AG Slow-Blow Glass Cartridge-Type Fuse ( <b>F1</b> )
46-301203	20 A, 32 V, 3AG Slow-Blow Glass Cartridge-Type Fuse ( <b>F3</b> )
78-2708	Nylon Type 6/6 Hole Bushing with $\frac{3}{8}$ -Inch Inside Diameter $\times$ $\frac{5}{16}$ -Inch Outside Diameter $\times$ $\frac{1}{4}$ -Inch Thick
78-70501SC	2-Inch Diameter Capacitor Mounting Bracket
79-15021001	2-Circuit Single-Row Terminal Block
79-3206	5-Position 3AG Fuse Block with $\frac{1}{4}$ -Inch Quick-Disconnect Terminals
79-441101	Panel-Mounting Non-Indicating 3AG Cartridge-Type Fuse Post
034482-02	Power Supply Chassis Base
034544-01	Fuse Block Cover
037243-01	Metal Base Plate ( <i>not shown in illustration</i> )
037639-01	Label for Fuse Value ( <b>F1</b> )
037641-01	Label for Fuse Values ( <b>F2-F6</b> )

### NOTE

**A037396-01 power supply assembly has the 120 V plug**  
**A037396-02 has the 100 V, 220 V, and 240 V plugs**  
**A037396-03 has the 220 V and 240 V plugs**

Line Voltage Range	Voltage Selection Plug Wire Color
90-110 VAC (100)	Violet
105-135 VAC (120)	Yellow
200-240 VAC (220)	Blue
220-260 VAC (240)	Brown

# H. Printed-Circuit Boards



**Figure 3-11 PCB Mounting Hardware Parts List**

Part No.	Description
72-6810S	#8 x 3/8-Inch Phillips-Head Screw (secures PCB to cabinet)
175004-706	#8 Spacer (secures PCB to cabinet)
034536-02	Foam Pad

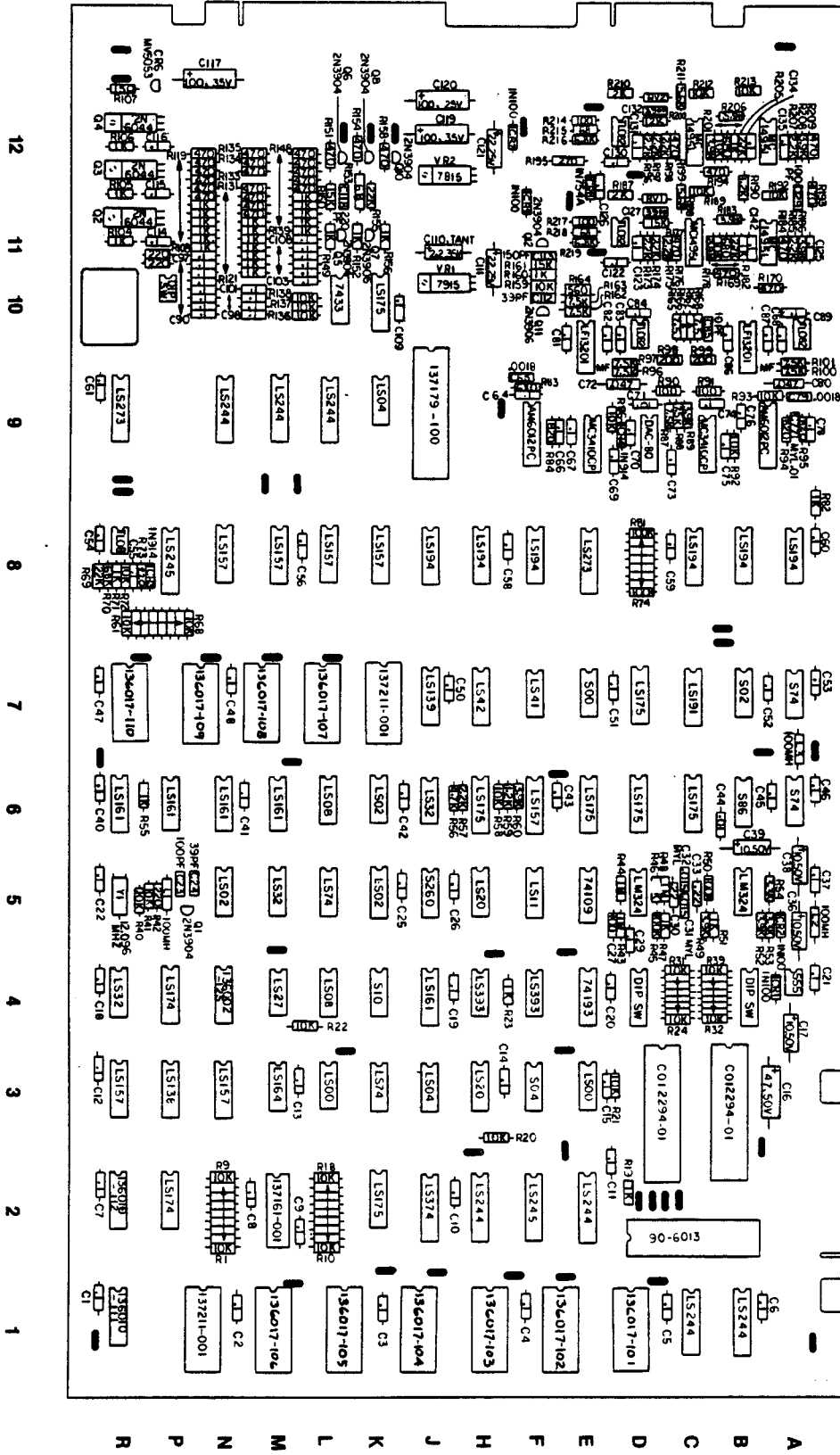


Figure 3-12 Black Widow Game Printed-Circuit Board Assembly



## Black Widow Printed-Circuit Board Assembly Parts List

Designator	Description	Part No.
<b>Capacitors</b>		
C1-C15	0.1 $\mu$ F, 50 V, Ceramic-Disc Radial-Lead Capacitor	122002-104
C16	47 $\mu$ F, 50 V Aluminum Electrolytic Fixed Axial-Lead Capacitor	24-500476
C17	10 $\mu$ F, 50 V Aluminum Electrolytic Fixed Axial-Lead Capacitor	24-500106
C18-C22	0.1 $\mu$ F, 50 V, Ceramic-Disc Radial-Lead Capacitor	122002-104
C23	100 pF, 100 V, Radial-Lead Epoxy-Dipped Mica Capacitor	128002-101
C24	39 pF, 100 V, Radial-Lead Epoxy-Dipped Mica Capacitor	128002-390
C25, C26	0.1 $\mu$ F, 50 V, Ceramic-Disc Radial-Lead Capacitor	122002-104
C27	100 pF, 100 V, Radial-Lead Epoxy-Dipped Mica Capacitor	128002-101
C29	0.1 $\mu$ F, 50 V, Ceramic-Disc Radial-Lead Capacitor	122002-104
C30	0.22 $\mu$ F, 25 V, Ceramic-Disc Radial-Lead Capacitor	122008-224
C31, C32	0.015 $\mu$ F, $\pm$ 10%, 100 V Radial-Lead Epoxy-Dipped Mylar Capacitor	21-101153
C33	0.22 $\mu$ F, 25 V, Ceramic-Disc Radial-Lead Capacitor	122008-224
C35	0.1 $\mu$ F, 50 V, Ceramic-Disc Radial-Lead Capacitor	122002-104
C36	10 $\mu$ F, 50 V Aluminum Electrolytic Fixed Axial-Lead Capacitor	24-500106
C37	0.1 $\mu$ F, 50 V Ceramic-Disc Radial-Lead Capacitor	122002-104
C38, C39	10 $\mu$ F, 50 V Aluminum Electrolytic Fixed Axial-Lead Capacitor	24-500106
C40-C43	0.1 $\mu$ F, 50 V, Ceramic-Disc Radial-Lead Capacitor	122002-104
C44	0.01 $\mu$ F, 25 V, Ceramic-Disc Radial-Lead Capacitor	122005-103
C45-C63	0.1 $\mu$ F, 50 V, Ceramic-Disc Radial-Lead Capacitor	122002-104
C64	0.1 $\mu$ F, 50 V, Ceramic-Disc Radial-Lead Capacitor	122002-104
C65	0.0018 $\mu$ F, $\pm$ 10%, 1 kV, Ceramic-Disc Radial-Lead Capacitor	27-102182
C66	0.1 $\mu$ F, 50 V, Ceramic-Disc Radial-Lead Capacitor	122002-104
C67	0.1 $\mu$ F, 50 V, Ceramic-Disc Radial-Lead Capacitor	122002-104
C69	0.1 $\mu$ F, 50 V, Ceramic-Disc Radial-Lead Capacitor	122002-104
C70	0.1 $\mu$ F, 50 V, Ceramic-Disc Radial-Lead Capacitor	122002-104
C71	0.01 $\mu$ F, 25 V, Ceramic-Disc Radial-Lead Capacitor	122005-103
C72	0.047 $\mu$ F, $\pm$ 10%, 50 V, Axial-Lead Epoxy-Dipped Polycarbonate Capacitor	122010-473
C73-C75	0.1 $\mu$ F, 50 V, Ceramic-Disc Radial-Lead Capacitor	122002-104
C76	0.1 $\mu$ F, 50 V, Ceramic-Disc Radial-Lead Capacitor	122002-104
C77	0.01 $\mu$ F, $\pm$ 10%, 100 V, Radial-Lead Epoxy-Dipped Capacitor	21-101103
C78	0.1 $\mu$ F, 50 V, Ceramic-Disc Radial-Lead Capacitor	122002-104
C79	0.0018 $\mu$ F, $\pm$ 10%, 1 kV Radial-Lead Ceramic-Disc Capacitor	27-102182
C80	0.047 $\mu$ F, $\pm$ 10%, 50 V, Axial-Lead Epoxy-Dipped Polycarbonate Capacitor	122010-473
C81-C84	0.1 $\mu$ F, 50 V, Ceramic-Disc Radial-Lead Capacitor	122002-104
C85	10 pF, 100 V, Radial-Lead Epoxy-Dipped Mica Capacitor	128002-100
C86-C101	0.1 $\mu$ F, 50 V, Ceramic-Disc Radial-Lead Capacitor	122002-104
C103-C109	0.1 $\mu$ F, 50 V, Ceramic-Disc Radial-Lead Capacitor	122002-104
C110	2.2 $\mu$ F, $\pm$ 10%, 35 V Tantalum Capacitor	122000-225
C111	22 $\mu$ F, 25 V Electrolytic Fixed Axial-Lead Capacitor	24-250226
C112	39 pF, 100 V, Radial-Lead Epoxy-Dipped Mica Capacitor	128002-390
C113	150 pF, 100 V, Radial-Lead Epoxy-Dipped Mica Capacitor	128002-151

(Continued on next page)

## Black Widow Game Printed-Circuit Board Assembly Parts List, continued

Designator	Description	Part No.
C114-C116	0.1 $\mu$ F, 50 V, Ceramic-Disc Radial-Lead Capacitor	122002-104
C117	100 $\mu$ F, 35 V Aluminum Electrolytic Fixed Axial-Lead Capacitor	24-350107
C118	220 pF, 100 V, Radial-Lead Epoxy-Dipped Mica Capacitor	128002-221
C119, C120	100 $\mu$ F, 35 V Aluminum Electrolytic Fixed Axial-Lead Capacitor	24-350107
C121	22 $\mu$ F, 25 V Electrolytic Fixed Axial-Lead Capacitor	24-250226
C122-C126	0.1 $\mu$ F, 50 V, Ceramic-Disc Radial-Lead Capacitor	122002-104
C127	39 pF, 100 V, Radial-Lead Epoxy-Dipped Mica Capacitor	128002-390
C129	100 pF, 100 V, Radial-Lead Epoxy-Dipped Mica Capacitor	128002-101
C130, C131	0.1 $\mu$ F, 50 V, Ceramic-Disc Radial-Lead Capacitor	122002-104
C132	39 pF, 100 V, Radial-Lead Epoxy-Dipped Mica Capacitor	128002-390
C134, C135	0.1 $\mu$ F, 50 V, Ceramic-Disc Radial-Lead Capacitor	122002-104
<b>Diodes</b>		
CR1, CR2	Type-1N100, 100 V Switching Diode	31-1N100
CR3, CR4	Type-1N914, 75 V Switching Diode	31-1N914
CR5	Type-1N100, 100 V Switching Diode	31-1N100
CR6	Type-MV5053 Light-Emitting Diode	38-MV5053
CR7	Type-1N100, 100 V Switching Diode	31-1N100
CR8	Type-1N754A, 6.8 V Zener Diode	131002-001
<b>Inductors</b>		
L1-L3	100 $\mu$ H, $\pm$ 10%, Hot-Molded Plastic Fixed R.F. Choke (Acceptable substitute is part no. 41-3003)	141002-001
<b>Integrated Circuits</b>		
A4	Type-555 Integrated Circuit	37-555
A6, A7	Type-74S74 Integrated Circuit	37-74S74
A8	Type-74LS194 Integrated Circuit	37-74LS194
A10	Type-TL082 Integrated Circuit	37-TL082CP
A/B9	12-Bit Digital-to-Analog Converter	137158-002
A/B11	Type-MC1495L Integrated Circuit	37-1495
A/B12	Type-MC1495L Integrated Circuit	37-1495
B1	Type-74LS244 Integrated Circuit	37-74LS244
B3	Audio I/O N-Channel MOS/LSI Custom Chip	C012294-01
B5	Type-LM324 Integrated Circuit	37-LM324
B6	Type-74S86 Integrated Circuit	137002-001
B7	Type-74S02 Integrated Circuit	37-74S02
B8	Type-74LS194 Integrated Circuit	37-74LS194
B10	Type-LF13201 Integrated Circuit	37-13201
C1	Type-74LS244 Integrated Circuit	37-74LS244
C2	Microprocessor	90-6013
C6	Type-74LS175 Integrated Circuit	37-74LS175
C7	Type-74LS191 Integrated Circuit	37-74LS191
C8	Type-74LS194 Integrated Circuit	37-74LS194
C9	10-Bit Digital-to-Analog Converter	137160-003

(Continued on next page)

## Black Widow Game Printed-Circuit Board Assembly Parts List, continued

Designator	Description	Part No.
C11, C12	Type-MC1495L Integrated Circuit	37-1495
C/D3	Audio I/O N-Channel MOS/LSI Custom Chip	C012294-01
D5	Type-LM324 Integrated Circuit	37-LM324
D6, D7	Type-74LS175 Integrated Circuit	37-74LS175
D9	8-Bit Digital-to-Analog Converter	137159-001
D10	Type-TL082 Integrated Circuit	37-TL082CP
D/E11, D/E12	Type-TL082 Integrated Circuit	37-TL082CP
E2	Type-74LS244 Integrated Circuit	37-74LS244
E3	Type-74LS00 Integrated Circuit	37-74LS00
E4	Type-74193 Integrated Circuit	37-74193
E5	Type-74109 Integrated Circuit	37-74109
E6	Type-74LS175 Integrated Circuit	37-74LS175
E7	Type-74S00 Integrated Circuit	37-74S00
E8	Type-74LS273 Integrated Circuit	37-74LS273
E9	10-Bit Digital-to-Analog Converter	137160-003
E10	Type-LF13201 Integrated Circuit	37-13201
F2	Type-74LS245 Integrated Circuit	37-74LS245
F3	Type-74S04 Integrated Circuit	37-74S04
F4	Type-74LS393 Integrated Circuit	37-74LS393
F5	Type-74LS11 Integrated Circuit	137149-001
F6	Type-74LS157 Integrated Circuit	37-74LS157
F7	Type-74LS14 Integrated Circuit	37-74LS14
F8	Type-74LS194 Integrated Circuit	37-74LS194
F9	12-Bit Digital-to-Analog Converter	137158-002
H2	Type-74LS244 Integrated Circuit	37-74LS244
H3	Type-74LS20 Integrated Circuit	37-74LS20
H4	Type-74LS393 Integrated Circuit	37-74LS393
H5	Type-74LS20 Integrated Circuit	37-74LS20
H6	Type-74LS175 Integrated Circuit	37-74LS175
H7	Type-74LS42 Integrated Circuit	37-74LS42
H8	Type-74LS194 Integrated Circuit	37-74LS194
J2	Type-74LS374 Integrated Circuit	37-74LS374
J3	Type-74LS04 Integrated Circuit	37-74LS04
J4	Type-74LS161 Integrated Circuit	37-74LS161
J5	Type-74S260 Integrated Circuit	37-74S260
J6	Type-74LS32 Integrated Circuit	37-74LS32
J7	Type-74LS139 Integrated Circuit	37-74LS139
J8	Type-74LS194 Integrated Circuit	37-74LS194
J9	Vector Generator	137179-001
K2	Type-74LS175 Integrated Circuit	37-74LS175
K3	Type-74LS74 Integrated Circuit	37-74LS74
K4	Type-74S10 Integrated Circuit	137236-001
K5, K6	Type-74LS02 Integrated Circuit	37-74LS02
K8	Type-74LS157 Integrated Circuit	37-74LS157

(Continued on next page)

## Black Widow Game Printed-Circuit Board Assembly Parts List, continued

Designator	Description	Part No.
K9	Type-74LS04 Integrated Circuit	37-74LS04
K10	Type-74LS175 Integrated Circuit	37-74LS175
L3	Type-74LS00 Integrated Circuit	37-74LS00
L4	Type-74LS08 Integrated Circuit	37-74LS08
L5	Type-74LS74 Integrated Circuit	37-74LS74
L6	Type-74LS08 Integrated Circuit	37-74LS08
L10	Type-7433 Integrated Circuit	37-7433
M4	Type-74LS27 Integrated Circuit	37-74LS27
M3	Type-74LS164 Integrated Circuit	37-74LS164
M5	Type-74LS32 Integrated Circuit	37-74LS32
M6	Type-74LS161 Integrated Circuit	37-74LS161
M8	Type-74LS157 Integrated Circuit	37-74LS157
M9	Type-74LS244 Integrated Circuit	37-74LS244
N3	Type-74LS157 Integrated Circuit	37-74LS157
N5	Type-74LS02 Integrated Circuit	37-74LS02
N6	Type-74LS161 Integrated Circuit	37-74LS161
N8	Type-74LS157 Integrated Circuit	37-74LS157
N9	Type-74LS244 Integrated Circuit	37-74LS244
P2	Type-74LS174 Integrated Circuit	37-74LS174
P3	Type-74LS138 Integrated Circuit	137177-001
P4	Type-74LS174 Integrated Circuit	37-74LS174
P6	Type-74LS161 Integrated Circuit	37-74LS161
P8	Type-74LS245 Integrated Circuit	37-74LS245
R3	Type-74LS157 Integrated Circuit	37-74LS157
R4	Type-74LS32 Integrated Circuit	37-74LS32
R6	Type-74LS161 Integrated Circuit	37-74LS161
R8	Type-TL082 Integrated Circuit	37-TL082CP
R9	Type-74LS273 Integrated Circuit	37-74LS273
<b>Miscellaneous</b>		
B4	8-Station Single-Throw, Dual-Inline-Package Bit Switch	66-118P1T
D4	8-Station Single-Throw, Dual-Inline-Package Bit Switch	66-118P1T
P10	4-Station Single-Throw, Dual-Inline-Package Bit Switch	66-114P1T
VR1	-15 V Voltage Regulator	37-7915
VR2	+ 15 V Voltage Regulator	37-7815
Y1	12.096 MHz, $\pm 0.005\%$ Crystal	144000-001
	Nylon Snap-In Fastener	81-4302
	Test Point (Acceptable substitute is part no. 020670-01)	179051-002
<b>Read-Only Memories</b>		
D1	Programmable Read-Only Memory	136017-101
E/F1	Programmable Read-Only Memory	136017-102
H1	Programmable Read-Only Memory	136017-103
J1	Programmable Read-Only Memory	136017-104

(Continued on next page)

## Black Widow Game Printed-Circuit Board Assembly Parts List, continued

Designator	Description	Part No.
K/L1	Programmable Read-Only Memory	136017-105
L7	Programmable Read-Only Memory	136017-107
M1	Programmable Read-Only Memory	136017-106
M2	Electrically-Alterable Read-Only Memory	137161-001
M/N7	Programmable Read-Only Memory	136017-108
N4	Programmable Read-Only Memory	136002-125
N/P7	Programmable Read-Only Memory	136017-109
R1	Programmable Read-Only Memory	136010-111
R2	Programmable Read-Only Memory	136010-112
R7	Programmable Read-Only Memory	136017-110
<b>Random-Access Memories</b>		
K7	Random-Access Memory	137211-001
N/P1	Random-Access Memory	137211-001
<b>Resistors</b>		
R1-R18	10 k $\Omega$ , $\pm$ 5%, 1/4 W Resistor	110000-103
R19	1 k $\Omega$ , $\pm$ 5%, 1/4 W Resistor	110000-102
R20-R22	10 k $\Omega$ , $\pm$ 5%, 1/4 W Resistor	110000-103
R23	1 k $\Omega$ , $\pm$ 5%, 1/4 W Resistor	110000-102
R24-R41	10 k $\Omega$ , $\pm$ 5%, 1/4 W Resistor	110000-103
R42	220 k $\Omega$ , $\pm$ 5%, 1/4 W Resistor	110000-221
R43, R44	1 M $\Omega$ , $\pm$ 5%, 1/4 W Resistor	110000-105
R45	100 k $\Omega$ , $\pm$ 5%, 1/4 W Resistor	110000-104
R46	22 k $\Omega$ , $\pm$ 5%, 1/4 W Resistor	110000-223
R47	1 k $\Omega$ , $\pm$ 5%, 1/4 W Resistor	110000-102
R48	1 M $\Omega$ , $\pm$ 5%, 1/4 W Resistor	110000-105
R49	3.9 k $\Omega$ , $\pm$ 5%, 1/4 W Resistor	110000-392
R50	100 k $\Omega$ , $\pm$ 5%, 1/4 W Resistor	110000-104
R51	1 k $\Omega$ , $\pm$ 5%, 1/4 W Resistor	110000-102
R52	3.9 k $\Omega$ , $\pm$ 5%, 1/4 W Resistor	110000-392
R53, R54	3.3 k $\Omega$ , $\pm$ 5%, 1/4 W Resistor	110000-332
R55	1 k $\Omega$ , $\pm$ 5%, 1/4 W Resistor	110000-102
R56	4.7 k $\Omega$ , $\pm$ 5%, 1/4 W Resistor	110000-472
R57	2.2 k $\Omega$ , $\pm$ 5%, 1/4 W Resistor	110000-222
R58	10 k $\Omega$ , $\pm$ 5%, 1/4 W Resistor	110000-103
R59	1.2 k $\Omega$ , $\pm$ 5%, 1/4 W Resistor	110000-122
R60	3.9 k $\Omega$ , $\pm$ 5%, 1/4 W Resistor	110000-392
R61-R68	10 k $\Omega$ , $\pm$ 5%, 1/4 W Resistor	110000-103
R69	22 k $\Omega$ , $\pm$ 5%, 1/4 W Resistor	110000-223
R70	68 k $\Omega$ , $\pm$ 5%, 1/4 W Resistor	110000-683
R71	1 k $\Omega$ , $\pm$ 5%, 1/4 W Resistor	110000-102
R72	10 k $\Omega$ , $\pm$ 5%, 1/4 W Resistor	110000-103
R73	220 k $\Omega$ , $\pm$ 5%, 1/4 W Resistor	110000-221

(Continued on next page)

## Black Widow Game Printed-Circuit Board Assembly Parts List, continued

<i>Designator</i>	<i>Description</i>	<i>Part No.</i>
R74-R81	100 k $\Omega$ , $\pm$ 5%, 1/4 W Resistor	110000-104
R82	1 k $\Omega$ , $\pm$ 5%, 1/4 W Resistor	110000-102
R83	680 $\Omega$ , $\pm$ 5%, 1/4 W Resistor	110000-681
R84	820 $\Omega$ , $\pm$ 5%, 1/4 W Resistor	110000-821
R86	10 k $\Omega$ , $\pm$ 5%, 1/4 W Resistor	110000-103
R87, R88	7.5 k $\Omega$ , $\pm$ 1%, 1/8 W Resistor	110003-752
R89	3.9 k $\Omega$ , $\pm$ 5%, 1/4 W Resistor	110000-392
R90, R91	100 $\Omega$ , $\pm$ 5%, 1/4 W Resistor	110000-101
R92, R93	10 k $\Omega$ , $\pm$ 5%, 1/4 W Resistor	110000-103
R94, R95	820 $\Omega$ , $\pm$ 5%, 1/4 W Resistor	110000-821
R96, R97	7.5 k $\Omega$ , $\pm$ 1%, 1/8 W Resistor	110003-752
R98, R99	500 $\Omega$ Vertical PCB-Mounting Cermet Trimpot (Acceptable substitute is part no. 19-315501)	119002-501
R100, R101	7.5 k $\Omega$ , $\pm$ 1%, 1/8 W Resistor	110003-752
R102, R103	220 k $\Omega$ , $\pm$ 5%, 1/4 W Resistor	110000-221
R104-R106	1 k $\Omega$ , $\pm$ 5%, 1/4 W Resistor	110000-102
R107	150 $\Omega$ , $\pm$ 5%, 1/4 W Resistor	110000-151
R108-R113	1 k $\Omega$ , $\pm$ 5%, 1/4 W Resistor	110000-102
R114-R119	470 $\Omega$ , $\pm$ 5%, 1/4 W Resistor	110000-471
R121-R127	1 k $\Omega$ , $\pm$ 5%, 1/4 W Resistor	110000-102
R128-R131	470 $\Omega$ , $\pm$ 5%, 1/4 W Resistor	110000-471
R133-R135	470 $\Omega$ , $\pm$ 5%, 1/4 W Resistor	110000-471
R136-R138	10 k $\Omega$ , $\pm$ 5%, 1/4 W Resistor	110000-103
R139-R143	1 k $\Omega$ , $\pm$ 5%, 1/4 W Resistor	110000-102
R144-R148	470 $\Omega$ , $\pm$ 5%, 1/4 W Resistor	110000-471
R149	1 k $\Omega$ , $\pm$ 5%, 1/4 W Resistor	110000-102
R150	15 k $\Omega$ , $\pm$ 5%, 1/4 W Resistor	110000-153
R151	470 $\Omega$ , $\pm$ 5%, 1/4 W Resistor	110000-471
R153	68 $\Omega$ , $\pm$ 5%, 1/4 W Resistor	110001-680
R152	1 k $\Omega$ , $\pm$ 5%, 1/4 W Resistor	110000-102
R154	470 $\Omega$ , $\pm$ 5%, 1/4 W Resistor	110000-471
R155	22 k $\Omega$ , $\pm$ 5%, 1/4 W Resistor	110000-223
R156	1 k $\Omega$ , $\pm$ 5%, 1/4 W Resistor	110000-102
R158	470 $\Omega$ , $\pm$ 5%, 1/4 W Resistor	110000-471
R159	10 k $\Omega$ , $\pm$ 5%, 1/4 W Resistor	110000-103
R160	1 k $\Omega$ , $\pm$ 5%, 1/4 W Resistor	110000-102
R161	15 k $\Omega$ , $\pm$ 5%, 1/4 W Resistor	110000-153
R162, R163	7.5 k $\Omega$ , $\pm$ 1%, 1/8 W Resistor	110003-752
R164	560 $\Omega$ , $\pm$ 5%, 1/4 W Resistor	110000-561
R165-R168	7.5 k $\Omega$ , $\pm$ 1%, 1/8 W Resistor	110003-752
R169, R170	470 $\Omega$ , $\pm$ 5%, 1/4 W Resistor	110000-471
R173-R175	2.2 k $\Omega$ , $\pm$ 5%, 1/4 W Resistor	110000-222
R176	470 $\Omega$ , $\pm$ 5%, 1/4 W Resistor	110000-471
R177	15 k $\Omega$ , $\pm$ 5%, 1/4 W Resistor	110000-153
R178	3.9 k $\Omega$ , $\pm$ 5%, 1/4 W Resistor	110000-392

(Continued on next page)

## Black Widow Game Printed-Circuit Board Assembly Parts List, continued

Designator	Description	Part No.
R179	10 k $\Omega$ , $\pm$ 5%, 1/4 W Resistor	110000-103
R180	680 $\Omega$ , $\pm$ 5%, 1/4 W Resistor	110000-681
R181	2.7 k $\Omega$ , $\pm$ 5%, 1/4 W Resistor	110000-272
R182	1 k $\Omega$ , $\pm$ 5%, 1/4 W Resistor	110000-102
R183	3.9 k $\Omega$ , $\pm$ 5%, 1/4 W Resistor	110000-392
R184	470 $\Omega$ , $\pm$ 5%, 1/4 W Resistor	110000-471
R185	2.2 k $\Omega$ , $\pm$ 5%, 1/4 W Resistor	110000-222
R186	3.9 k $\Omega$ , $\pm$ 5%, 1/4 W Resistor	110000-392
R187	2 k $\Omega$ Vertical PCB-Mounting Cermet Trimpot (Acceptable substitute is part no. 19-315202)	119002-202
R188	5.6 k $\Omega$ , $\pm$ 5%, 1/4 W Resistor	110000-562
R189	10 k $\Omega$ Vertical PCB-Mounting Cermet Trimpot (Acceptable substitute is part no. 19-315103)	119002-103
R190	1.2 k $\Omega$ , $\pm$ 5%, 1/4 W Resistor	110000-122
R192	10 k $\Omega$ Vertical PCB-Mounting Cermet Trimpot (Acceptable substitute is part no. 19-315103)	119002-103
R193, R194	470 $\Omega$ , $\pm$ 5%, 1/4 W Resistor	110000-471
R195	270 $\Omega$ , $\pm$ 5%, 1/4 W Resistor	110001-271
R196-R198	2.2 k $\Omega$ , $\pm$ 5%, 1/4 W Resistor	110000-222
R199	470 $\Omega$ , $\pm$ 5%, 1/4 W Resistor	110000-471
R200	12 k $\Omega$ , $\pm$ 5%, 1/4 W Resistor	110000-123
R201	3.9 k $\Omega$ , $\pm$ 5%, 1/4 W Resistor	110000-392
R202	10 k $\Omega$ , $\pm$ 5%, 1/4 W Resistor	110000-103
R203	680 $\Omega$ , $\pm$ 5%, 1/4 W Resistor	110000-681
R204	1 k $\Omega$ , $\pm$ 5%, 1/4 W Resistor	110000-102
R205	2.7 k $\Omega$ , $\pm$ 5%, 1/4 W Resistor	110000-272
R206	3.9 k $\Omega$ , $\pm$ 5%, 1/4 W Resistor	110000-392
R207	2.2 k $\Omega$ , $\pm$ 5%, 1/4 W Resistor	110000-222
R208	3.9 k $\Omega$ , $\pm$ 5%, 1/4 W Resistor	110000-392
R209	470 $\Omega$ , $\pm$ 5%, 1/4 W Resistor	110000-471
R210	2 k $\Omega$ Vertical PCB-Mounting Cermet Trimpot (Acceptable substitute is part no. 19-315202)	119002-202
R211	5.6 k $\Omega$ , $\pm$ 5%, 1/4 W Resistor	110000-562
R212, R213	10 k $\Omega$ Vertical PCB-Mounting Cermet Trimpot (Acceptable substitute is part no. 19-315103)	119002-103
R214	100 $\Omega$ , $\pm$ 5%, 1/4 W Resistor	110000-101
R215	68 $\Omega$ , $\pm$ 5%, 1/4 W Resistor	110000-680
R216	6.8 k $\Omega$ , $\pm$ 5%, 1/4 W Resistor	110000-682
R217	100 $\Omega$ , $\pm$ 5%, 1/4 W Resistor	110000-101
R218	68 $\Omega$ , $\pm$ 5%, 1/4 W Resistor	110000-680
R219	6.8 k $\Omega$ , $\pm$ 5%, 1/4 W Resistor	110000-682
RV1, RV2	Voltage Dependent Resistor	110004-001

(Continued on next page)

## Black Widow Game Printed-Circuit Board Assembly Parts List, continued

<i>Designator</i>	<i>Description</i>	<i>Part No.</i>
<b>Sockets</b>		
B3	40-Contact Medium-Insertion-Force Integrated Circuit Socket	79-42C40
C2	40-Contact Medium-Insertion-Force Integrated Circuit Socket	79-42C40
C/D3	40-Contact Medium-Insertion-Force Integrated Circuit Socket	79-42C40
D1	24-Contact Medium-Insertion-Force Integrated Circuit Socket	79-42C24
E/F1	24-Contact Medium-Insertion-Force Integrated Circuit Socket	79-42C24
H1	24-Contact Medium-Insertion-Force Integrated Circuit Socket	79-42C24
J1	24-Contact Medium-Insertion-Force Integrated Circuit Socket	79-42C24
J9	40-Contact Medium-Insertion-Force Integrated Circuit Socket	79-42C40
K7	24-Contact Medium-Insertion-Force Integrated Circuit Socket	79-42C24
K/L1	24-Contact Medium-Insertion-Force Integrated Circuit Socket	79-42C24
L7	24-Contact Medium-Insertion-Force Integrated Circuit Socket	79-42C24
M1	24-Contact Medium-Insertion-Force Integrated Circuit Socket	79-42C24
M2	22-Contact Medium-Insertion-Force Integrated Circuit Socket	79-42C22
M/N7	24-Contact Medium-Insertion-Force Integrated Circuit Socket	79-42C24
N/P1	24-Contact Medium-Insertion-Force Integrated Circuit Socket	79-42C24
N/P7	24-Contact Medium-Insertion-Force Integrated Circuit Socket	79-42C24
R7	24-Contact Medium-Insertion-Force Integrated Circuit Socket	79-42C24
<b>Transistors</b>		
Q1	Type-2N3904, 60 V, 1 W NPN Transistor	34-2N3904
Q2-Q4	Type-2N6044 Darlington NPN Transistor	34-2N6044
Q5, Q6	Type-2N3904, 60 V, 1 W NPN Transistor	34-2N3904
Q7	Type-2N3906 PCB Switching and Amplifying Transistor	33-2N3906
Q8	Type-2N3904, 60 V, 1 W NPN Transistor	34-2N3904
Q10	Type-2N3904, 60 V, 1 W NPN Transistor	34-2N3904
Q11	Type-2N3906 PCB Switching and Amplifying Transistor	33-2N3906
Q12	Type-2N3904, 60 V, 1 W NPN Transistor	34-2N3904



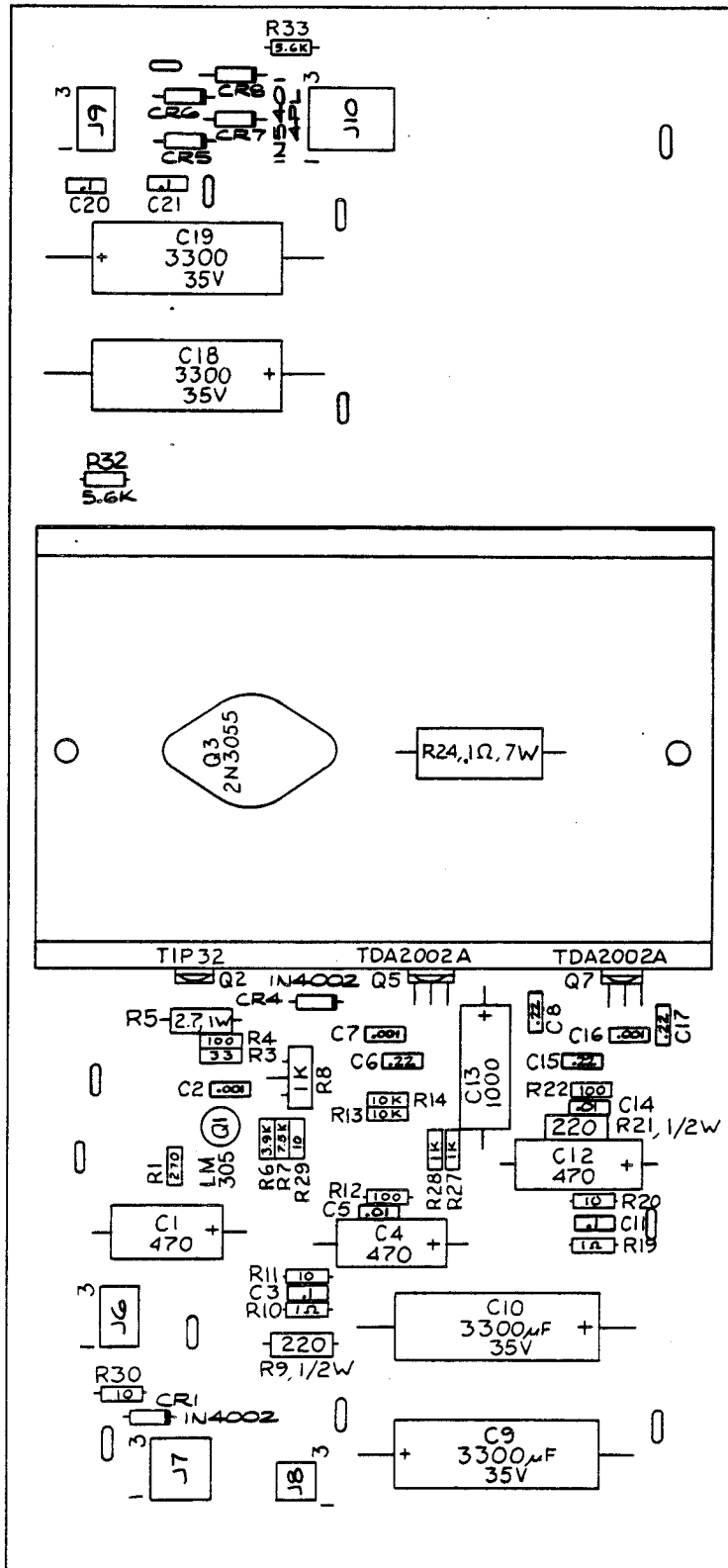


Figure 3-13 Regulator/Audio II PCB Assembly  
A035435-04 D

## Regulator/Audio II PCB Assembly Parts List

Designator	Description	Part No.
<b>Capacitors</b>		
C1	470 $\mu$ F, 25 V, Aluminum Electrolytic Fixed Axial-Lead Capacitor	24-250477
C2	0.001 $\mu$ F, 50 V, Ceramic-Disc Axial-Lead Capacitor	122002-102
C3	0.1 $\mu$ F, +80%, -20%, 50 V, Ceramic-Disc Capacitor	122001-104
C4	470 $\mu$ F, 25 V, Aluminum Electrolytic Fixed Axial-Lead Capacitor	24-250477
C5	0.01 $\mu$ F, 25 V Minimum, Ceramic-Disc Axial-Lead Capacitor (Acceptable substitute is part no. 122005-103)	100015-103
C6	0.22 $\mu$ F, 25 V, Ceramic-Disc Axial-Lead Capacitor	122004-224
C7	0.001 $\mu$ F, 50 V, Ceramic-Disc Axial-Lead Capacitor	122002-102
C8	0.22 $\mu$ F, 25 V, Ceramic-Disc Axial-Lead Capacitor	122004-224
C9, C10	3300 $\mu$ F, 35 V, Aluminum Electrolytic Fixed Axial-Lead Capacitor	24-350338
C11	0.1 $\mu$ F, +80%, -20%, 50 V, Ceramic-Disc Capacitor	122001-104
C12	470 $\mu$ F, 25 V, Aluminum Electrolytic Fixed Axial-Lead Capacitor	24-250477
C13	1000 $\mu$ F, 25 V, Aluminum Electrolytic Fixed Axial-Lead Capacitor	24-250108
C14	0.01 $\mu$ F, 25 V Minimum, Ceramic-Disc Axial-Lead Capacitor (Acceptable substitute is part no. 122005-103)	100015-103
C15	0.22 $\mu$ F, 25 V, Ceramic-Disc Axial-Lead Capacitor	122004-224
C16	0.001 $\mu$ F, 50 V, Ceramic-Disc Axial-Lead Capacitor	122002-102
C17	0.22 $\mu$ F, 25 V, Ceramic-Disc Axial-Lead Capacitor	122004-224
C18, C19	3300 $\mu$ F, 35 V, Aluminum Electrolytic Fixed Axial-Lead Capacitor	24-350338
C20, C21	0.1 $\mu$ F, +80%, -20%, 50 V, Ceramic-Disc Capacitor	122001-104
<b>Diodes</b>		
CR1	Type-1N4002, 1 A, 100 V Silicon Rectifier Diode	31-1N4002
CR4	Type-1N4002, 1 A, 100 V Silicon Rectifier Diode	31-1N4002
CR5-CR8	Type-1N5401, 3 A, 100 V Silicon Rectifier Diode	31-1N5401
<b>Integrated Circuits</b>		
Q1	Type-LM305, 5 V, Linear Voltage Regulator	37-LM305
Q5	Type-TDA2002A, 8 W, Linear Audio Amplifier Integrated Circuit	137151-002
Q7	Type-TDA2002A, 8 W, Linear Audio Amplifier Integrated Circuit	137151-002
<b>Resistors</b>		
R1	270 $\Omega$ , $\pm$ 5%, 1/4 W Resistor	110000-271
R3	33 $\Omega$ , $\pm$ 5%, 1/4 W Resistor	110000-330
R4	100 $\Omega$ , $\pm$ 5%, 1/4 W Resistor	110000-101
R5	2.7 $\Omega$ , $\pm$ 5%, 1 W Resistor	110009-027
R6	3.9 k $\Omega$ , $\pm$ 5%, 1/4 W Resistor	110000-392
R7	7.5 k $\Omega$ , $\pm$ 5%, 1/4 W Resistor	110000-752
R8	1 k $\Omega$ Vertical PCB-Mounting Cermet Potentiometer (Acceptable substitute is part no. 119002-102)	19-315102
R9	220 $\Omega$ , $\pm$ 5%, 1/2 W Resistor	110001-221

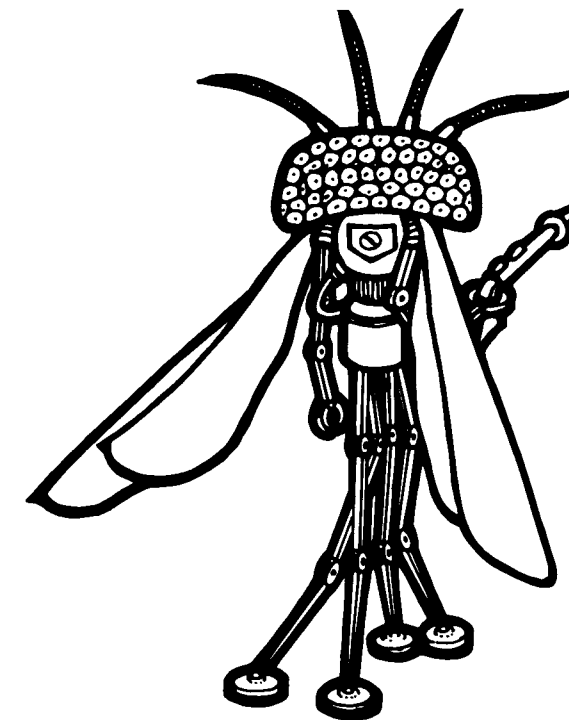
(Continued on next page)

## Regulator/Audio II PCB Assembly Parts List, continued

Designator	Description	Part No.
R10	1 $\Omega$ , $\pm 5\%$ , 1/4 W Resistor	110000-010
R11	10 $\Omega$ , $\pm 5\%$ , 1/4 W Resistor	110000-100
R12	100 $\Omega$ , $\pm 5\%$ , 1/4 W Resistor	110000-101
R13, R14	10 k $\Omega$ , $\pm 5\%$ , 1/4 W Resistor	110000-103
R19	1 $\Omega$ , $\pm 5\%$ , 1/4 W Resistor	110000-010
R20	10 $\Omega$ , $\pm 5\%$ , 1/4 W Resistor	110000-100
R21	220 $\Omega$ , $\pm 5\%$ , 1/2 W Resistor	110001-221
R22	100 $\Omega$ , $\pm 5\%$ , 1/4 W Resistor	110000-101
R24	0.1 $\Omega$ , $\pm 3\%$ , 7 W Wirewound Resistor	19-100P1015
R27, R28	1 k $\Omega$ , $\pm 5\%$ , 1/4 W Resistor	110000-102
R29, R30	10 $\Omega$ , $\pm 5\%$ , 1/4 W Resistor	110000-100
R32, R33	5.6 k $\Omega$ , $\pm 5\%$ , 1/4 W Resistor	110000-562
<b>Transistors</b>		
Q2	Type-TIP32 PNP Power Transistor	33-TIP32
Q3	Type-2N3055 NPN Silicon Transistor	34-2N3055
<b>Mechanical Parts</b>		
J6	6-Position Connector Receptacle	79-58306
J7	9-Position Connector Receptacle	79-58308
J8	4-Position Connector Receptacle	79-58354
J9	6-Position Connector Receptacle	79-58306
J10	12-Position Connector Receptacle	79-58346
Q2	#6-32 x 1/4-Inch Binder-Head Nylon Screw	75-F60405
Q3	#6-32 Nut/Washer Assembly	75-99516
Q3	Thermally Conductive Silicon Insulator	78-16008
Q2	Thermally Conductive Silicon Insulator	78-16014
Q5, Q7	#6 x 3/8-Inch Cross-Recessed Pan-Head Thread-Forming Type-AB Zinc-Plated-Steel Screw	72-6606S
	Heat Sink	034531-01
	Test Point (Acceptable substitute is part no. 020670-01)	179051-001

## Table of Contents

Sheet 1A	Table of Contents
Sheet 1B	Black Widow Main Wiring Diagram (039988-01 A)
Sheet 2A	Color X-Y Power Supply Wiring Diagram (037394-01 B), Regulator/Audio II PCB Schematic Diagram (035435-02 G)
Sheet 2B	Coin-Door Wiring Diagram (037542-01 E), Utility Panel Wiring Diagram (038004-01 F), Fluorescent Light Wiring Diagram (035833-01 A)
Sheet 3A	Black Widow Memory Map
Sheet 3B-5A	Black Widow PCB Signal Name Descriptions
	<b>Game PCB Schematics (040003-01A), Sheets 5B-11A</b>
Sheet 5B	Power Input, Clock, Power-On Reset, Watchdog
Sheet 6A	Test Connector, Microprocessor, Timing Diagram, and Address Decoder
Sheet 6B	Read-Only Memory, Random-Access Memory, High-Score Table
Sheet 7A	Coin Door and Control Panel Input, Option Switch Input and Audio Output, Coin Door and Control Panel Output
Sheet 7B	Vector Address Decoder, Vector Address Selector, Vector Read-Only Memory, Vector Random-Access Memory, Vector Memory Data Buffer
Sheet 8A	Vector Data Shifters, Op Code and Intensity Latches
Sheet 8B	State Machine Clock Logic, State Machine Clock, State Machine, Decoder Disable, Address Controller, Signature Analysis Flag
Sheet 9A	Normalization Flag, Center Flag, Vector Flag, Halt Flag, Go Flag, Vector Scaling, Vector Timer
Sheet 9B	Z Intensity and Blanking, R-G-B Output
Sheet 10A	DAC Reference and Bipolar Current Sources, X-Axis Output
Sheet 10B	Y-Axis Output, Adjusting X- and Y-Axis Video Potentiometers
Sheet 11A	Amplifone Deflection PCB Schematic Diagram (201014-XX A)
Sheet 11B	Amplifone Main Wiring Diagram (200000-01 B), Amplifone High-Voltage PCB Schematic Diagram (201012-XX A)
Sheet 12A	Wells-Gardner Color X-Y Display Schematic Diagram (92-053)



## Schematic Package Supplement to



## Operators Manual

**NOTE**

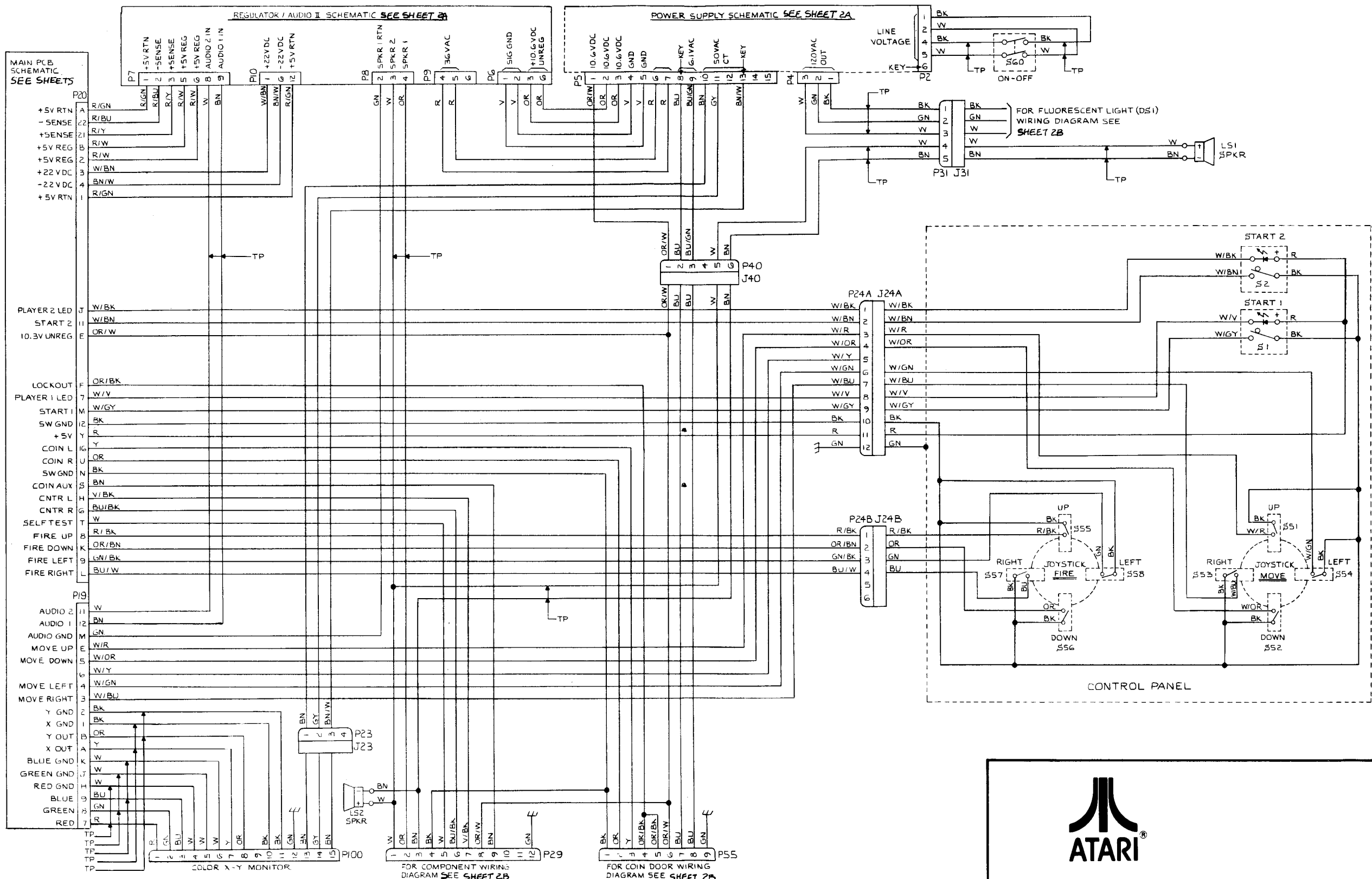
*This staple temporarily holds the schematic package together. Remove the staple before using the schematics.*



A Warner Communications Company

© ATARI INC., 1983

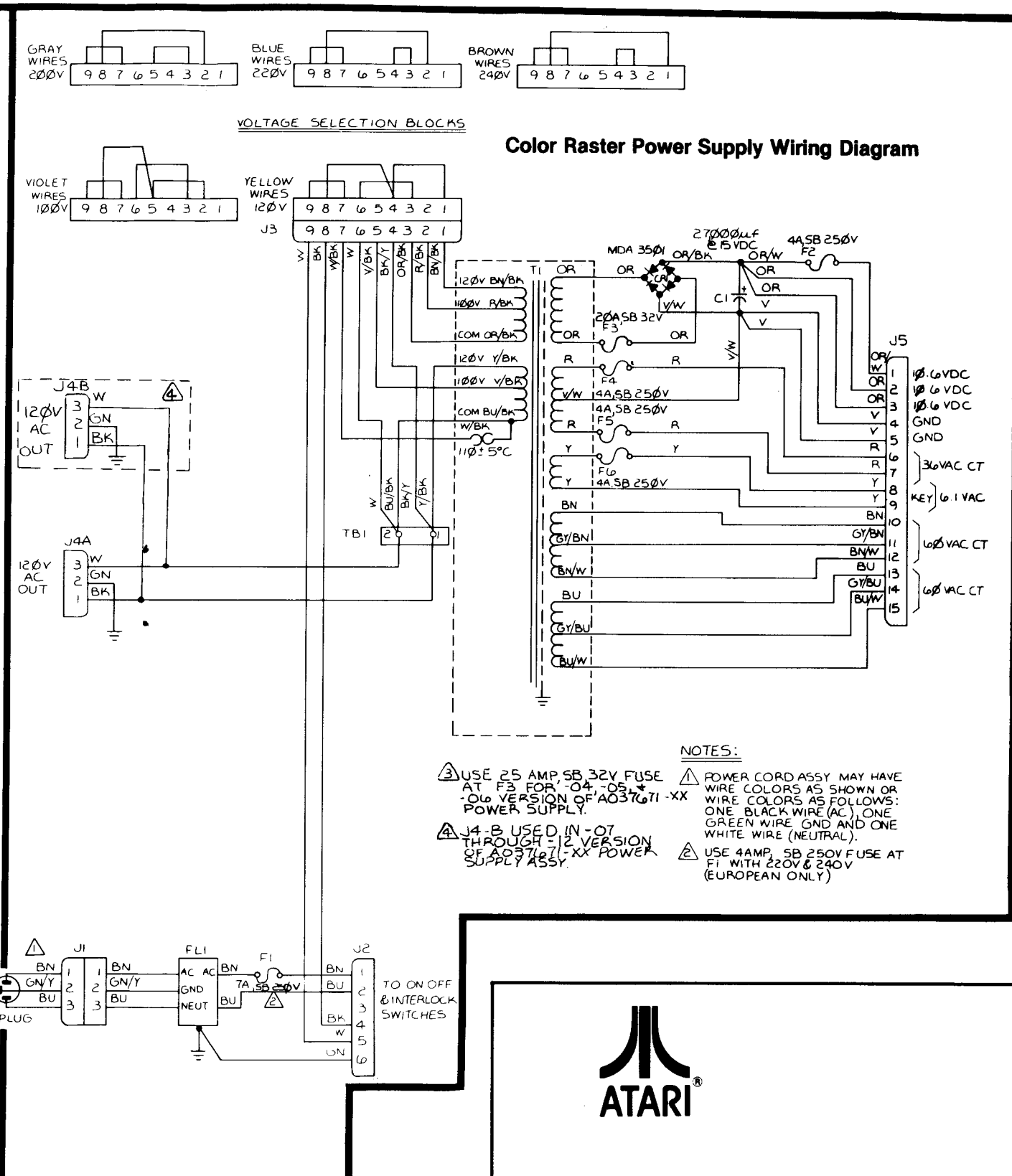
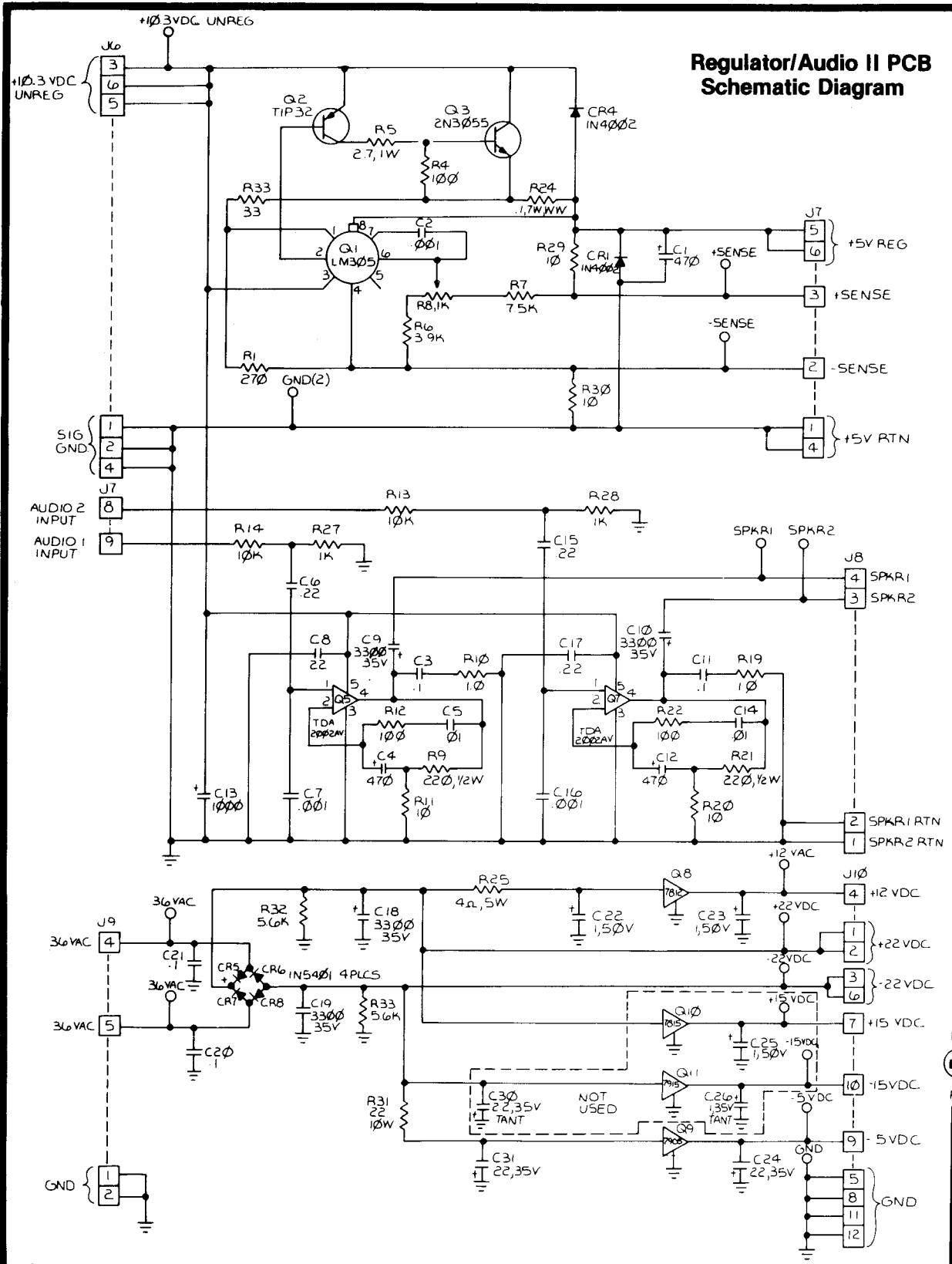
SP-234 Sheet 1A  
1st printing




**Black Widow Main Wiring Diagram**

© ATARI INC., 1983  
A Warner Communications Company

SP-234 Sheet 1B  
1st printing



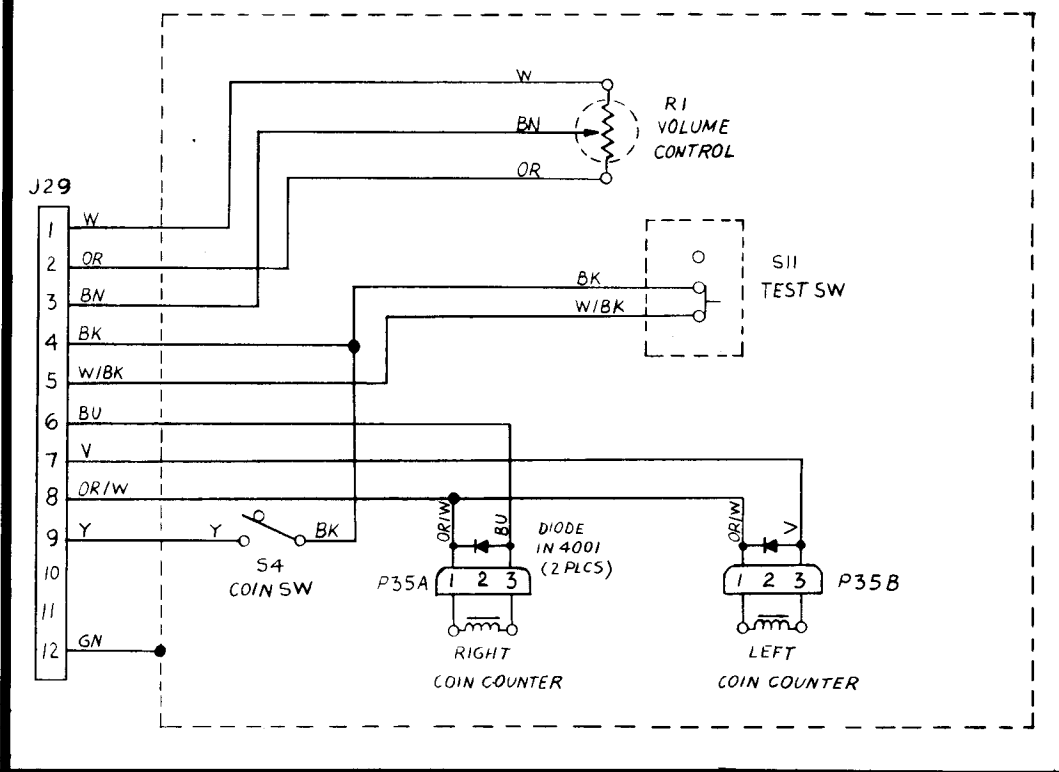


**Regulator/Audio II PCB and Power Supply**

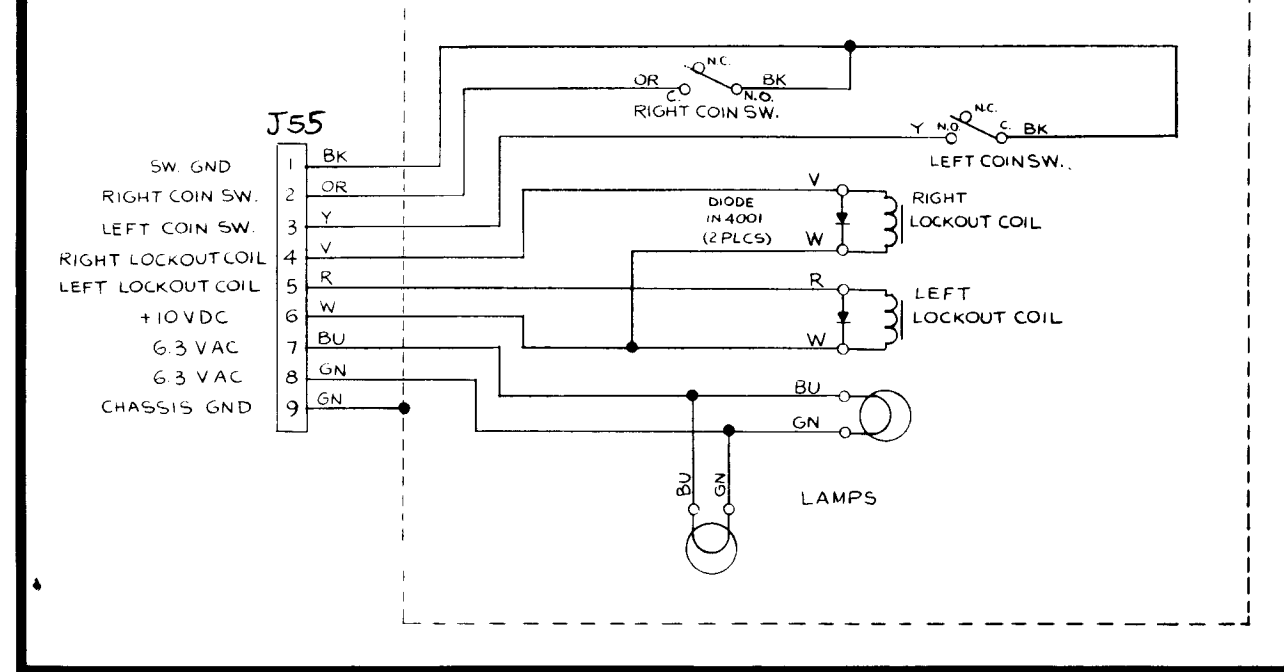
© ATARI INC., 1983  
 A Warner Communications Company

SP-234 Sheet 2A  
 1st printing

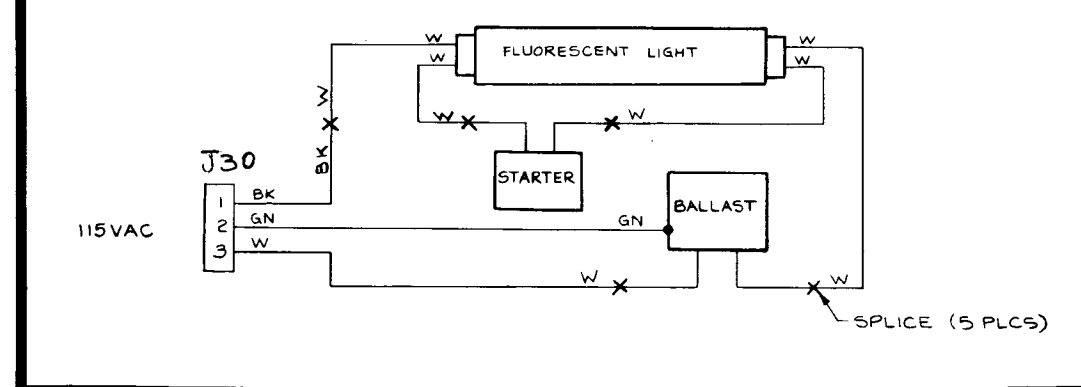
### Utility Panel Wiring Diagram



### Coin Door Wiring Diagram



### Fluorescent Light Wiring Diagram




### Black Widow Game Wiring Interfaces

© ATARI INC., 1983  
A Warner Communications Company

SP-234 Sheet 2B  
1st printing

HEXA-DECIMAL ADDRESS	ADDRESS BUS															R/W	DATA BUS								FUNCTION		
	A15	A14	A13	A12	A11	A10	A9	A8	A7	A6	A5	A4	A3	A2	A1		A0	D7	D6	D5	D4	D3	D2	D1		D0	
E000-EFFF	1	1	1		A	A	A	A	A	A	A	A	A	A	A	A	R	D	D	D	D	D	D	D	D	ROM 5	
D000-DFFF	1	1	0	1	A	A	A	A	A	A	A	A	A	A	A	A	R	D	D	D	D	D	D	D	D	ROM 4	
C000-CFFF	1	1	0	0	A	A	A	A	A	A	A	A	A	A	A	A	R	D	D	D	D	D	D	D	D	ROM 3	
B000-BFFF	1	0	1	1	A	A	A	A	A	A	A	A	A	A	A	A	R	D	D	D	D	D	D	D	D	ROM 2	
A000-AFFF	1	0	1	0	A	A	A	A	A	A	A	A	A	A	A	A	R	D	D	D	D	D	D	D	D	ROM 1	
9000-9FFF	1	0	0	1	A	A	A	A	A	A	A	A	A	A	A	A	R	D	D	D	D	D	D	D	D	ROM 0	
8800	1	0	0	0	1												R	D		D							CABINET 1 START 2 START 1 SPARE FIRE UP FIRE DOWN FIRE LEFT FIRE RIGHT
89C0	1	0	0	0	1	0	0	1	1	1							W										SPARE WT
8980	1	0	0	0	1	0	0	1	1	0							W										WDCLR
8940	1	0	0	0	1	0	0	1	0	1	A	A	A	A	A	A	W	D	D	D	D	D	D	D	D		EAROMWR
8900	1	0	0	0	1	0	0	1	0	0							W					D	D	D	D		EAROMCON
88C0	1	0	0	0	1	0	0	0	1	1							W										INTACK
8880	1	0	0	0	1	0	0	0	1	0							W										VORST
8840	1	0	0	0	1	0	0	0	0	1							W										VGGO
8800	1	0	0	0	1	0	0	0	0	0							W	D		D							INVERT Y INVERT X PLAYER 2 LED PLAYER 1 LED COIN LOCKOUT BANK SEL COIN CNTR-L COIN CNTR-R
8000	1	0	0	0	0												R	D		D							OPTION 2 OPTION 1 OPTION 0 SPARE MOVE UP MOVE DOWN MOVE LEFT MOVE RIGHT
7800	0	1	1	1	1												R	D		D							3 KHZ HALT SA SELF-TEST COIN-AUX COIN L COIN R
7000	0	1	1	1	0												R	D	D	D	D	D	D	D	D		EAROMRD
6800	0	1	1	0	1												R/W	D	D	D	D	D	D	D	D		I/O1
6000	0	1	1	0	0												R/W	D	D	D	D	D	D	D	D		I/O0
5000-5FFF	0	1	0	1	A	A	A	A	A	A	A	A	A	A	A	A	R	D	D	D	D	D	D	D	D		VROM 3
4000-4FFF	0	1	0	0	A	A	A	A	A	A	A	A	A	A	A	A	R	D	D	D	D	D	D	D	D		VROM 2
3000-3FFF	0	0	1	1	A	A	A	A	A	A	A	A	A	A	A	A	R	D	D	D	D	D	D	D	D		VROM 1
2800-2FFF	0	0	1	0	1	A	A	A	A	A	A	A	A	A	A	A	R	D	D	D	D	D	D	D	D		VROM 0
2000-27FF	0	0	1	0	0	A	A	A	A	A	A	A	A	A	A	A	R/W	D	D	D	D	D	D	D	D		VRAM
0000-07FF	0	0	0	0	0	A	A	A	A	A	A	A	A	A	A	A	R/W	D	D	D	D	D	D	D	D		RAM



**ATARI**

**Black Widow Memory Map**

© ATARI INC., 1983  
A Warner Communications Company

SP-234 Sheet 3A  
1st printing



# Descriptions of Black Widow Printed Circuit Board Names

## A10, A13-A15

Address bits on Microprocessor Address Bus lines A10 and A13-A15 are generated by Microprocessor C2. Bits on lines A13-A15, together with those on AB11-AB12, are the input bits to Address Decoders R1-R2. A10 is exclusive-ORed with BANK SEL by gate B6 to produce the A10 input bit for Random-Access Memory N/P1.

## AB0-AB12

Address bits on Buffered Microprocessor Address Bus lines AB0-AB12 are software-generated by Microprocessor C2 and buffered by B1 and C1. These signals are the input bits to Read-Only Memories D1, E/F1, H1, J1, K/L1, and M1; and to Random-Access Memory N/P1.

Address bits AB6-AB8 are the select input signals for Address Decoder P3.

Address bits AB11-AB12 and A13-A15 are the input bits for Address Decoders R1 and R2.

Address bits AB0-AB13 are applied with bits from AVG0-AVG12 to Vector Address Selectors K8, M8, L8, and N8 to produce the data on lines AM0-AM12.

Bits AB0-AB3 are control signals to custom audio chips B3 and C/D3 in the Option Switch Input and Audio Output circuit.

Bits AB0-AB5 are the input signals to latch P2 in the High-Score Table circuit where they are used to produce the A1-A5 address input for EAROM M2.

## AB13

AB13 is from AB13, inverted by J3, and applied to Vector Address Selector M8. When VMEM is low, AB13 and AB12 select the specific Vector Memory Read-Only Memory.

## AM0-AM13

Address bits on Multiplexed Address Bus lines AM0-AM13 are software-generated by Vector Address Selectors K8, L8, M8, and N8. When VMEM is low, the Multiplexed Address Bus is from Buffered Microprocessor Address Bus AB0 through AB12 and AB13. When VMEM is high, AM0-AM12 is from Vector-Generator Address Bus lines AVG0-AVG13.

Signals AM0-AM11 are the input address signals to Vector Read-Only Memories L7, M/N7, N/P7, R7 and to Vector Random-Access Memory K7. In addition, AM11-AM13 are the select input signals for Vector Address Decoder J7. AM0-AM7 are input signals for multiplexers N3 and R3 of the State Machine circuit.

## AUD 1-AUD 2

The Audio 1 and Audio 2 signals are game PCB output signals that are generated by custom audio chips B3 and C/D3 of the Option Switch Input and Audio Output circuit. AUD 1 is the inverse of AUD 2. These signals are applied to the Audio/Regulator II PCB and ultimately drive speakers 1 and 2.

## AVG0-AVG13

Address bits on Vector-Generator Address Bus lines AVG0-AVG13 are software-generated by Vector Address Controller J9. When VMEM is high, these signals are passed through the Vector Address Selectors on lines AM0-AM13 to the Vector Read-Only Memory and the Vector Random-Access Memory.

## BANK SEL

The Bank Select signal is developed from data on line DB2. When latch R9 of the Coin Door and Control Panel Output circuit is clocked by LATCH, R9 latches the data on DB2 to pin 2 of R9, producing the BANK SEL signal. BANK SEL is exclusive-ORed with the address bit A10 by gate B6 to produce input address bit A10 for Random-Access Memory N/P1.

## BLANK

Blank is an active high-level signal generated by counter M3 in the Z Intensity and Blanking circuit and ORed with Z BLANK by gate M5 of the R-G-B Output circuit. When high, BLANK turns off transistors Q6, Q8, and Q10, which kills the RED, GREEN, and BLUE output signals to the display.

## BLUE

Blue is a game PCB output signal developed from the data on line DVY0. When the data bit on DVY0 is high and latch K10 of the R-G-B Output circuit is clocked by STATCLK, the data on DVY0 is inverted and latched to pin 11 of K10. If both BLANK and Z BLANK are low, this data bit is again inverted by gate L10 to turn on Q10. Transistor Q10 generates the BLUE signal for the display.

## BUFFEN

Buffer Enable is an active low-level signal developed from Bφ2 by Vector Address Selector K8. BUFFEN is the enable input signal for Vector Memory Data Buffer P8. When low, BUFFEN allows P8 to pass data.

## Bφ2

The active high-level Phase 2 Clock signal is hardware-generated from the internal clock circuitry of Microprocessor C2, buffered by B1, and applied to AND gate K4. Gate K4 ANDs together Bφ2, R/WB, and 3 MHz to produce WRITE. Bφ2 is also used as the clock signal for custom audio chips B3 and C/D3 of the Option Switch Input and Audio Output circuit.

## Bφ2

The active low-level Phase 2 Clock signal is generated at pin 12 of F3 by inverting Bφ2. Bφ2 is applied to Vector Address Selector K8 to produce BUFFEN.

## CENTER

Center is an active-low level signal software-generated by gating CNTR with HALT by Center Flag gate L6. When low, CENTER closes switches E10 of the Y-Axis Output circuit and B10 of the X-Axis Output circuit to center the beam on the display.

## CNTR

The active high-level Center Flag signal is software-generated by latch E5 of the Center Flag circuit. CNTR is set high when VGCK, STROBE3, and OP2 are low. CNTR is applied to gate J5 of the Normalization Flag circuit to develop the clear signal for latch A6. CNTR is ORed with VCTR by GO Flag gate M5 to generate the GO signal.

## CNTR

The active low-level Center Flag signal is software-generated by latch E5 of the Center Flag circuit. When clocked by the 12-MHZ signal, E5 latches STOP to pin 9 to produce CNTR. CNTR is gated with HALT by Center Flag gate L6 to generate CENTER.

## COIN CNTR-L

Coin Counter Left is a game PCB output signal developed from the data bit on line DB1. When clocked by LATCH, latch R9 of the Coin Door and Control Panel Output circuit latches the data bit on DB1 to pin 6 of R9. From here, the signal is current amplified and inverted by Q4 and applied to the game Utility Panel to activate the Left Coin Counter.

## COIN CNTR-R

Coin Counter Right is a game PCB output signal developed from the data bit on line DB0. When clocked by LATCH, latch R9 of the Coin Door and Control Panel Output circuit latches the data bit on DB0 to pin 5 of R9. From here, the signal is current amplified and inverted by Q3 and applied to the game Utility Panel to activate the Right Coin Counter.

## COIN LOCKOUT

Coin Lockout is a game PCB output signal developed from the data on line DB3. When clocked by LATCH, latch R9 of the Coin Door and Control Panel Output circuit latches the data bit on DB3 to pin 9 of R9. From here, the signal is current amplified and inverted by Q2 and applied to the Right and Left Lockout Coils of the game Coin Door.

## D0-D7

Microprocessor Data Bus lines D0-D7 form a bi-directional data bus between the Microprocessor, the Read-Only Memory, and the Option Switch Input circuits.

## DB0-DB7

Buffered Microprocessor Data Bus lines DB0-DB7 form a buffered bi-directional data bus between microprocessor data-bus buffer F2 and Vector Memory Data Buffer P8; Coin-Door and Control Panel Input circuit buffers L9, M9, and N9; High-Score Table latches K2 and J2; and High-Score Table buffer H2.

## DIS DAT

Disable Data is an active low-level signal generated by test equipment connected to the DIS DAT test point. DIS DAT is ANDed with the ROM signal by gate E3 to produce the enable signal for buffer E2 of the Read-Only Memory circuit. When enabled, buffer E2 passes data from the selected Read-Only Memory to the Microprocessor Data Bus.

## DISRST

Display Reset is an active low-level signal software-generated by gate L6 of the Halt Flag circuit. When either RESET or VGRST is low, DISRST is set low. When low, DISRST clears State Machine latch P4, DAC Reference and Bipolar Current Sources latch E8, R-G-B Output latch K10, Vector Scaling latch D7, Z Intensity and Blanking latch E6 and counter M3. In addition, DISRST presets the HALT signal from latch L5 to the high level.

## DVG0-DVG7

Data bits on Vector-Generator Data Bus lines DVG0-DVG7 are software-generated by the selected Vector Read-Only Memory or Vector Random-Access Memory. If Vector Memory Data Buffer P8 is enabled (BUFFEN is low) and the R/WB line is low, the data on lines DVG0-DVG7 is passed through P8 to the Buffered Microprocessor Data Bus to be read by the microprocessor. Otherwise, the data on DVG0-DVG7 is sent to the Vector Data Shifters and to the Op Code and Intensity Latches.

## DVX3-DVX12, DVY12

Data bits on X-Axis Vector Data lines DVX3-DVX12 and DVY12 are software-generated by Vector Data Shifters A8, B8, C8, and by latch C6 of the Op Code and Intensity Latches circuit. DVX3-DVX11 and DVY12 are the input signals to digital-to-analog converter (DAC) A/B9 of the X-Axis Output circuit. The data carried on these lines represents the X-axis change from the current location of the display beam. If DVX12 is low, DAC A/B9 operates only in its

lower 512 positions, which means a negative direction of change on the display. If DVX12 is high, DAC A/B9 operates only in its upper 512 positions for a positive direction of change on the display.

In addition, DVX11 and DVX12 are exclusive-ORed by gate B6 of the Normalization Flag circuit.

## DVY0-DVY12, DVY12

Data bits on Y-Axis Vector Data lines DVY0-DVY12 and DVY12 are software-generated by Vector Data Shifters F8, H8, J8, and by latch D6 of the Op Code and Intensity Latches circuit. DVY3-DVY11 and DVY12 are the input signals for digital-to-analog converter (DAC) F9 of the Y-Axis Output circuit. The data carried on these lines represents the Y-axis change from the current location of the display beam. If DVY12 is low, DAC F9 operates only in its lower 512 positions, which means a negative direction of change on the display. If DVY12 is high, DAC F9 operates only in its upper 512 positions for a positive direction of change on the display.

In addition, DVY0-DVY7 are applied to latch E8 in the DAC Reference and Bipolar Current Sources circuit. These signals, together with VCTR and VCTR, set the X REF and Y REF voltage levels (via DAC D9).

Lines DVY0-DVY2 carry data representing the eight different color signals for latch K10 of the R-G-B Output circuit.

Lines DVY4-DVY7 carry data representing the Z-intensity signals for latch E6 of the Z Intensity and Blanking circuit.

Data on DVY8-DVY10 are applied to latch D7 of the Vector Scaling circuit. The data carried on these lines represents the number (in binary) that the Vector Scaling circuit uses to divide into the vector drawing time. The vector drawing time n is divided by 2, where n equals the number represented on DVY8-DVY10.

In addition, DVY11 and DVY12 are exclusive-ORed by gate B6 of the Normalization Flag circuit.

## EAROMCON

The Electrically-Alterable ROM Control signal is an active low-level signal software-generated by Address Decoder P3 at address 8900. EAROMCON is the clock signal for latch K2 in the High-Score Table circuit. EAROMCON allows K2 to pass data bits on lines DB0-DB3 to the control lines of EAROM M2.

## EAROMRD

The Electrically-Alterable ROM Read Enable is an active low-level signal software-generated by Address Decoder R2 at address 7000. EAROMRD is the read-enable signal for buffer H2 of the High-Score Table circuit. EAROMRD allows the eight data bits from EAROM M2 to be passed through buffer H2 to the microprocessor data bus.

## EAROMWR

The Electrically-Alterable ROM Write Enable is an active low-level signal software-generated by Address Decoder P3 at address 8940. EAROMWR is the clock signal for latches J2 and P2 in the High-Score Table circuit. EAROMWR allows address bits on lines AB0-AB5 and data bits on lines DB0-DB7 to pass to the address and data input pins of EAROM M2.



## Black Widow PCB Signal Name Descriptions

© ATARI INC., 1983  
A Warner Communications Company

SP-234 Sheet 3B  
1st printing

## Black Widow PCB Signal Name Descriptions, cont.

### ENORM

The active low-level Normalization Flag is software-generated by gate K4 of the Normalization Flag circuit. If  $\overline{OP0}$  is high, SA is high, and the output from gate J5 is high, ENORM is set low when STROBE0 goes high. ENORM is applied through gate E7 to the S1 input pins of Vector Data Shifters A8, B8, C8, F8, H8, and J8. ENORM multiplies the rate of change of the X and Y vector data in the Vector Data Shifters (via shift left operations) at the same  $2^n$  factor specified by data on lines DVY8-DVY10. The n number is incremented at a 12-MHz rate until either DVX11 or DVY11 changes state, which then sets ENORM to the high level.

### GO

The Go flag is an active high-level signal software-generated by gate M5 of the Go Flag circuit when either VCTR or CNTR are high. GO is gated with HALT\* by gate N5 of the State Machine circuit to produce the A7 input address bit for State Machine ROM N4.

GO is also used as the enable signal for Vector Timer R6. When GO is high, the Vector Timer starts its count. The Vector Timer counts to 256 if OP1 is high and  $\overline{OP1}$  is low. If OP1 is low and  $\overline{OP1}$  is high, the Vector Timer counts to 16K.

### GREEN

Green is a game PCB output signal developed from the data on line DVY1 in the R-G-B Output circuit. When DVY1 is high and latch K10 is clocked by STATCLK, the data bit on DVY1 is inverted and latched to pin 6 of K10. If both BLANK and Z BLANK are low, this data bit is again inverted by gate L10 to turn on Q8. Transistor Q8 generates the GREEN signal for the display.

### HALT

The active high-level Halt Flag is software-generated by latch L5 of the Halt Flag circuit. HALT is applied through buffer M9 of the Coin Door and Control Panel Input circuit (when S1NP1 is low) to permit Microprocessor C2 to read the status of HALT on line DB6. In addition, HALT is applied to latch P4 of the State Machine circuit to develop HALT\*.

### HALT\*

The active high-level Delayed Halt Flag is software-generated by latch P4 of the State Machine circuit. HALT\* is generated when the HALT signal has been delayed by one pulse of inverted VGCK (1.5 MHz), which in turn has been delayed by one pulse of 12 MHz. HALT\* is ORed with GO by gate N5 of the State Machine circuit to produce the A7 input address bit for State Machine ROM N4.

### HALT

The active low-level Halt Flag is software-generated by latch L5 of the Halt Flag circuit. HALT is the clear signal for Vector Flag latch E5 and Center Flag latch E5. In addition, HALT is ORed with CNTR by gate L6 of the Center Flag circuit to produce CENTER.

### INTACK

Interrupt Acknowledge is an active low-level signal software-generated from Address Decoder P3 at address 88C0. This signal is an acknowledgment from Microprocessor C2 that an interrupt request has been received. INTACK resets counter J4.

### INVERT X

Invert X is an active high-level signal developed from the data bit on line DB6. When clocked by LATCH, latch R9 of the Coin Door and Control Panel Output circuit latches the data bit on DB6 to pin 12 of R9. When high, INVERT X closes switch B10 through inverter K9 in the X-Axis Output circuit. This inverts the X-axis vector instruction to the display.

### INVERT Y

Invert Y is an active high-level signal developed from the data bit on line DB7. When clocked by LATCH, latch R9 of the Coin Door and Control Panel Output circuit latches DB7 to pin 15 of R9. When high, INVERT Y closes switch E10 through inverter K9 in the Y-Axis Output circuit. This inverts the Y-axis vector instruction to the display.

### $\overline{IO}$

The Input/Output signal is an active low-level signal software-generated by Address Decoder R2 during addresses 8000 through 8FFF.  $\overline{IO}$  is gated with R/WB by gate J6 to produce the direction signal for bi-directional data buffer N9 of the Coin Door and Control Panel Input circuit.  $\overline{IO}$  determines the direction of data flow through buffer N9.

### $\overline{IOS}$

$\overline{IOS}$  is an active high-level signal software-generated from Address Decoder R2 during addresses 6000 through 6FFF. The  $\overline{IOS}$  signal is ORed with the ROM signal by gate R4 to enable bi-directional data bus buffer F2 to pass data. When  $\overline{IOS}$  is high, data buffer F2 is turned off, which allows custom audio chips B3 and C/D3 to pass data to the data bus.

### $\overline{IO0}$

$\overline{IO0}$  is an active low-level signal software-generated by Address Decoder R2 at address 6800.  $\overline{IO0}$  is the chip-select enable for custom audio chip C/D3 in the Option Switch Input and Audio Output circuit.

### $\overline{IO1}$

$\overline{IO1}$  is an active low-level signal software-generated by Address Decoder R2 at address 6000.  $\overline{IO1}$  is the chip-select enable for custom audio chip B3 in the Option Switch Input and Audio Output circuit.

### LATCH

Latch is an active low-level signal generated by Address Decoder P3 at address 8800. LATCH is the clock signal for latch R9 in the Coin Door and Control Panel Output circuit. When low, LATCH allows the data bits on lines DB0-DB7 to pass through R9.

### LATCH0

Latch 0 is an active low-level signal software-generated by decoder H7 of the State Machine circuit. LATCH0 is applied through inverter F7 to the S0 input pins of shift registers F8 and J8 in the Vector Data Shifters circuit. LATCH0 causes the data bits on lines DVG0-DVG7 to be latched by F8 and J8 to lines DVY0-DVY7 when F8 and J8 are clocked by the 12-MHz clock signal.

### LATCH1

Latch 1 is an active low-level signal software-generated by decoder H7 of the State Machine circuit. LATCH1 is applied through inverter F7 to the S0 input pin of shift register H8 in the Vector Data Shifters circuit. LATCH1 causes the data bits on lines DVG0-DVG3 to be latched by H8 to lines DVY8-DVY10 when H8 is clocked by the 12-MHz clock signal.

LATCH1 is also the clear signal for Vector Data Shifters A8, B8, C8, F8, J8, and for Op Code and Intensity Latch C6.

In addition, LATCH1 is the clock signal for Op Code and Intensity Latch D6. When LATCH1 goes low, the data bits on lines DVG4-DVG7 are latched by D6 to lines OP0-OP2,  $\overline{OP0}$ - $\overline{OP2}$ , DVY12, and DVY12.

### LATCH2

Latch 2 is an active low-level signal software-generated by decoder H7 of the State Machine circuit. LATCH2 is applied through inverter F7 to the S0 input pins of shift registers A8 and C8 in the Vector Data Shifters circuit. LATCH2 causes the data bits on lines DVG0-DVG7 to be latched by A8 and C8 to lines DVX3-DVX7 when A8 is clocked by the 12-MHz clock signal.

### LATCH3

Latch 3 is an active low-level signal software-generated by decoder H7 of the State Machine circuit. LATCH3 is applied through inverter F7 to the S0 input pin of shift register B8 in the Vector Data Shifters circuit. LATCH3 causes the data bits on lines DVG0-DVG3 to be latched by B8 to lines DVX8-DVX11 when B8 is clocked by the 12-MHz clock signal.

LATCH3 is also the clock signal for Op Code and Intensity Latch C6. When LATCH3 goes low, the data bits on lines DVG4-DVG7 are latched by C6 to lines Z0-Z2, Z1-Z2, DVX12, and DVX12.

### NORM

The active high-level Normalization Flag is software-generated by latch A6 in the Normalization Flag circuit. If  $\overline{OP0}$  is high, NORM is set high when STROBE0 goes high. NORM is gated with SCALE by gate K5 in the Vector Timer circuit to produce the load-enable signal for Vector Timers M6, N6, P6, and R6. If the Vector Timers are enabled, NORM initiates the divide-by- $2^n$  operation of the vector drawing time. (The n factor is specified by the data on lines DVY8-DVY10 to Vector Scaling latch D7.)

### OPTION 0-OPTION 2

The Option 0, Option 1, and Option 2 signals are hardware-generated by DIP switch P10. They are applied to switch input buffer L9 of the Coin Door and Control Panel Input circuit. When L9 is enabled by S1NP2, OPTION 0-OPTION 2 are passed to Buffered Microprocessor Data Bus lines DB5-DB7.

### OP0

The Op Code 0 signal is software-generated by latch D6 in the Op Code and Intensity Latches circuit. If the data on line DVG5 is high, OP0 is set high when D6 is clocked by LATCH1. OP0 is multiplexed with AM4 by N3 in the State Machine circuit to produce the A4 input address bit for State Machine ROM N4.

If OP0 is high, HALT from Halt Flag latch L5 is set high when L5 is clocked by STROBE3.

If OP0, OP2, STROBE3, and VGCK are all low, VCTR from Vector Flag latch E5 is set high when E5 is clocked by the 12-MHz clock signal.

### $\overline{OP0}$

The Complementary Op Code 0 signal is software-generated by latch D6 in the Op Code and Intensity Latches circuit. This signal is opposite in state to OP0. If  $\overline{OP0}$  is low, NORM from Normalization Flag latch A6 is set high when STROBE0 clocks A6.  $\overline{OP0}$  is also the OP0 and OPX input signal for Vector Address Controller J9.

### OP1

The Op Code 1 signal is software-generated by latch D6 in the Op Code and Intensity Latches circuit. If the data on line DVG6 is high, OP1 is set high when D6 is clocked by LATCH1. OP1 is multiplexed with AM5 by N3 in the State Machine circuit to produce the A5 input address bit for State Machine ROM N4. In addition, OP1 is the OP1 signal for Vector Address Controller J9.

In the Vector Timer circuit, OP1 is gated by K5 and E3 to enable a 1 to be loaded into the D input pin of Vector Timer P6 (if NORM or SCALE is low).

### $\overline{OP1}$

The Complementary Op Code 1 signal is software-generated by latch D6 in the Op Code and Intensity Latches circuit. This signal is opposite in state to OP1.  $\overline{OP1}$  is the clear signal for Vector Timers N6 and M6. When  $\overline{OP1}$  goes low, the count from N6 and M6 is stopped, causing a lowered count from the Vector Timer circuit. This low count is used to draw short vectors on the display.  $\overline{OP1}$  is also gated with the outputs of the Vector Timers by gates L3 and H3 to set STOP to the low level.

### OP2

The Op Code 2 signal is software-generated by latch D6 in the Op Code and Intensity Latches circuit. If the data on line DVG7 is high, OP2 is set high when D6 is clocked by LATCH1. OP2 is multiplexed with AM6 by N3 in the State Machine circuit to produce the A6 input address bit for State Machine ROM N4.

If OP2, OP0, STROBE3, and VGCK are all low, VCTR from Vector Flag latch E5 is set high when E5 is clocked by the 12-MHz clock signal.

When STROBE1 goes low, if OP2 is low, it is applied through gates B7 and F3 of the Vector Scaling circuit as the load signal for counter C7. This allows the data latched from DVY8-DVY10 by D7 to be loaded into counter C7. When STROBE1 goes high, counter C7 counts down until it reaches the minimum count. At the same time, the Vector Timer circuit does a divide-by-2 (shift right) operation for each count of C7. (This is caused by SCALE being at the high state.) When C7 reaches its minimum count, it sets pin 12 high, dropping SCALE to the low state.

If OP2 and DVY12 are low, SCALELD from gate J6 is set low when STROBE2 goes low. This allows Vector Scaling latch D7 to latch the new data on DVY8-DVY10.

If OP2 and DVY12 are low, STATCLK from J6 is set low when STROBE2 goes low. This allows latch E6 of the Z Intensity and Blanking circuit to latch the data on DVY4-DVY7.

### $\overline{OP2}$

The Complementary Op Code 2 signal is software-generated by latch D6 in the Op Code and Intensity Latches circuit. This signal is opposite in state to OP2. If  $\overline{OP2}$ , STROBE3, and VGCK are low, CNTR from Center Flag latch E5 is set high when E5 is clocked by the 12-MHz clock signal.  $\overline{OP2}$  is also ORed with SA by gate R4 to produce the OP2 input for Vector Address Controller J9.



## Black Widow PCB Signal Name Descriptions

© ATARI INC., 1983

A Warner Communications Company

SP-234 Sheet 4A

1st printing

## Black Widow PCB Signal Name Descriptions, cont.

### PLAYER 1 LED

The Player 1 LED On signal is developed from the data bit on line DB4. When clocked by LATCH, latch R9 of the Coin Door and Control Panel Output circuit latches the data bit on line DB4 to pin 19 of R9. This signal is applied through R103 to light the Player 1 LED on the game Control Panel.

### PLAYER 2 LED

The Player 2 LED On signal is developed from the data bit on line DB5. When clocked by LATCH, latch R9 of the Coin Door and Control Panel Output circuit latches the data bit on DB5 to pin 16 of R9. This signal is applied through R102 to light the Player 2 LED on the game Control Panel.

### POR

The active high-level Power-On Reset signal is hardware-generated at pin 4 of F7 in the Power-On Reset circuit. POR is the clock signal that starts the count of E4 of the Clock circuit.

### POR

The active low-level Power-On Reset signal is hardware-generated at pin 6 of inverter F7 in the Power-On Reset circuit. POR is generated when the voltage at pin 3 of R8 is less than about 7 volts or when the RESET test point is shorted to ground. POR is developed into the RESET signal to protect Microprocessor C2.

### RAM

The Random-Access Memory Enable is an active low-level signal software-generated by Address Decoder R2 during addresses 0000 through 07FF. RAM is the chip-enable signal for Random-Access Memory N/P1. When low, RAM allows data to be read from or written to N/P1, depending upon the state of WRITE.

### RED

Red is a game PCB output signal developed from the data on line DVY2 in the R-G-B Output circuit. When DVY2 is high and latch K10 is clocked by STATCLK, the data bit on DVY2 is inverted and latched to pin 3 of K10. If both BLANK and Z BLANK are low, this data bit is again inverted by gate L10 to turn on Q6. Transistor Q6 generates the RED signal for the display.

### RESET

Reset is an active low-level signal generated at pin 6 of K3 from either the Watchdog circuit or the Power-On Reset circuit. The Power-On Reset circuit sets RESET to an active low level either when the RESET test point is shorted to ground or during the time that the power-supply voltages are reaching their stabilized, regulated levels. This ensures that the Microprocessor Address Bus is stabilized before the microprocessor begins operation.

The Watchdog circuit sets RESET to an active low level if the microprocessor fails to output address 0D00 before Watchdog counter H4 has reached its maximum count.

RESET is also the clear signal for latch R9 in the Coin Door and Control Panel Output circuit.

In addition, RESET is gated with VGRST by gate L6 in the Halt Flag circuit to produce DISRST.

### ROM

The Read-Only Memory Enable is an active high-level signal software-generated from Address Decoder R1 during addresses 9000 through 9FFF. ROM is ORed with I/O $\bar{S}$  by gate R4 to enable bi-directional data bus buffer F2 to pass data.

In addition, ROM is ANDed with DIS DAT to enable data buffer E2.

### ROM0

Read-Only Memory Chip Select 0 is an active low-level signal software-generated by Address Decoder R1 at addresses 9000-9FFF. ROM0 is the chip-select signal for ROM D1 of the Read-Only Memory circuit. When low, ROM0 allows ROM D1 to be addressed and to pass data to buffer E2.

### ROM1

Read-Only Memory Chip Select 1 is an active low-level signal software-generated by Address Decoder R1 at addresses A000-AFFF. ROM1 is the chip-select signal for ROM E/F1 of the Read-Only Memory circuit. When low, ROM1 allows ROM E/F1 to be addressed and to pass data to buffer E2.

### ROM2

Read-Only Memory Chip Select 2 is an active low-level signal software-generated by Address Decoder R1 at addresses B000-BFFF. ROM2 is the chip-select signal for ROM H1 of the Read-Only Memory circuit. When low, ROM2 allows ROM H1 to be addressed and to pass data to buffer E2.

### ROM3

Read-Only Memory Chip Select 3 is an active low-level signal software-generated by Address Decoder R1 at addresses C000-CFFF. ROM3 is the chip-select signal for ROM J1 of the Read-Only Memory circuit. When low, ROM3 allows ROM J1 to be addressed and to pass data to buffer E2.

### ROM4

Read-Only Memory Chip Select 4 is an active low-level signal software-generated by Address Decoder R1 at addresses D000-DFFF. ROM4 is the chip-select signal for ROM K/L1 of the Read-Only Memory circuit. When low, ROM4 allows ROM K/L1 to be addressed and to pass data to buffer E2.

### ROM5

Read-Only Memory Chip Select 5 is an active low-level signal software-generated by Address Decoder R1 at addresses E000-EFFF. ROM5 is the chip-select signal for ROM M1 of the Read-Only Memory circuit. When low, ROM5 allows ROM M1 to be addressed and to pass data to buffer E2.

### R/WB

The Buffered Read/Write Enable is generated by Microprocessor C2, buffered by B1, and applied as the read/write enable signal for custom audio chips B3 and C/D3 of the Option Switch Input and Audio Output circuit. In the high state, R/WB is the read enable for the custom audio chips; in the low state, it is the write enable for these chips.

### R/WB

The Buffered Read/Write Enable is generated at pin 2 of F3 in the Microprocessor circuit by inverting R/WB. R/WB is ANDed with B $\phi$ 2 and 3 MHz by gate K4 to produce WRITE. R/WB is the direction signal for Vector Memory Data Buffer P8 and determines the direction of data flow through P8. In the high state, R/WB allows data to pass through P8 from the data bus to the vector generator data bus; in the low state, it allows data to pass in the reverse direction.

### SA

The active high-level Signature Analysis Flag signal is hardware-generated at pin 12 of inverter J3 when test point SA at pin 13 is grounded. SA is used to place the game PCB in the mode to generate signatures for reading by a Signature Analyzer or the ATARI CAT Box.

### SA

The active low-level Signature Analysis Flag is hardware-generated when test point SA at pin 13 of J3 is grounded. SA is used to place the game PCB in the mode to generate signatures for reading by a Signature Analyzer or the ATARI CAT Box.

### SACLK

Signature Analysis Clock is a test point at pin 8 of gate B7 in the State Machine Clock Logic circuit. SACLK is used to apply the clock signal from the Signature Analyzer or ATARI CAT Box for the reading of game PCB signatures.

### SAEN

Signature Analysis Enable is a test point at pin 8 of gate M5 in the Vector Address Selector circuit. SAEN is generated by gating VRAM with the data bit on line AM10 by gates J3 and M5. SAEN is used to enable a Signature Analyzer or the ATARI CAT Box for the reading of game PCB signatures.

### SCALE

Scale is an active high-level signal generated by gate B7 of the Vector Scaling circuit. When OP2 is high and counter C7 is counting down, SCALE is set high. SCALE is ORed with NORM by gate K5 of the Vector Timer circuit to produce the load signal for Vector Timers M6, N6, P6, and R6. When SCALE is high, the Vector Timers perform a load operation for each count of C7 (at a 12-NHz rate). This results in a vector drawing time divided by a factor of 2<sup>n</sup>, where n equals the total counts of C7. When C7 reaches its minimum count, SCALE is set low.

SCALE is gated with VCTR, CNTR, DVY11-DVY12, and DVX11-DVX12 of the Normalization Flag circuit to produce the clear signal for latch A6.

### SCALELD

Scale Load is an active low-level signal software-generated by gates N5, L3, and L6 of the Vector Generator circuit. When STROBE2, OP2, and DVY12 are all low, SCALELD is set low. SCALELD is the clock signal for Vector Scaling latch D7. When SCALELD goes high, the data on lines DVY8-DVY10 are latched to the output pins of D7.

### SINP1

Switch Input 1 is an active low-level signal software-generated by Address Decoder R2 at address 7800. SINP1 is the direction signal for bi-directional data buffer M9 of the Coin Door and Control Panel Input circuit and determines the direction of data flow through buffer M9.

### SINP2

Switch Input 2 is an active low-level signal software-generated by Address Decoder R2 at address 8000. SINP2 is the direction signal for bi-directional data buffer L9 of the Coin Door and Control Panel Input circuit and determines the direction of data flow through buffer L9.

### STATCLK

State Clock is an active low-level signal software-generated by gates N5, L3, and J6 of the Vector Generator circuit. When STROBE2, OP2, and DVY12 are all low, STATCLK is set low. STATCLK is the clock for latch K10 in the R-G-B Output circuit and latch E6 in the Z Intensity and Blanking circuit. When STATCLK goes high, the data bits on DVY0-DVY2 are latched by K10, and those on DVY4-DVY7 are latched by E6.

### STOP

Stop is an active low-level signal generated by gate H3 of the Vector Timer circuit. STOP is set low when Vector Timers N6, M6, P6, and R6 have reached their maximum count. If STOP is low, VCTR from Vector Flag latch E5 and CNTR from Center Flag latch E5 are both set low when E5 is clocked by the 12-MHz clock signal.

### STROBE0

Strobe 0 is an active low-level signal software-generated by State Machine decoder H7. STROBE0 is the clock signal for Normalization Flag latch A6. It is also the STROBE0 input for Vector Address Controller J9.

### STROBE1

Strobe 1 is an active low-level signal software-generated by State Machine decoder H7. If OP2 is low, when STROBE1 goes low, the data latched at the outputs of D7 in the Vector Scaling circuit are loaded into counter C7. When STROBE1 goes high, C7 begins counting down.

STROBE1 is the STROBE1 input for Vector Address Controller J9.

### STROBE2

Strobe 2 is an active low-level signal software-generated by State Machine decoder H7. If OP2 and DVY12 are both low, SCALELD from gate J6 is set low when STROBE2 goes low. If OP2 and DVY12 are both low, STATCLK is set low when STROBE2 goes low.

STROBE2 is the STROBE2 input for Vector Address Controller J9.

### STROBE3

Strobe 3 is an active low-level signal software-generated by State Machine decoder H7. STROBE3 is the clock signal for Halt Flag latch L5 and is the STROBE3 input for Vector Address Controller J9.

If OP0, OP2, OP2, and VGCK are all low, VCTR from Vector Flag latch E5 and CNTR from Center Flag latch E5 are both set high when STROBE3 goes low.

### ST0-ST2

State signals ST0-ST2 are active high-level signals that are software-generated by State Machine ROM N4. These signals, together with ST3, are decoded by H7 of the State Machine circuit to produce LATCH0-LATCH3 and STROBE0-STROBE3. ST2 is used to develop ST3 and is also the ST2 input for Vector Address Controller J9.



## Black Widow PCB Signal Name Descriptions

© ATARI INC., 1983

A Warner Communications Company

SP-234 Sheet 4B  
1st printing

## Black Widow PCB Signal Name Descriptions, cont.

### ST3

State signal ST3 is an active high-level signal hardware-generated by Decoder Disable latch A7. ST3 is opposite in state to VGCK, and is delayed by one pulse of the 12-MHz clock signal if the Q4 output from State Machine ROM N4 is low and VMEM is high. If the Q4 output from N4 is high, ST3 is high. When ST3 is high, State Machine decoder H7 is disabled. When ST3 is low, H7 decodes the data on lines ST0-ST2 to produce LATCH0-LATCH3 and STROBE0-STROBE3.

### VCTR, VCTR

The Vector Flag signals are software-generated by Vector Flag latch E5. If OP0, OP2, STROBE3, and VGCK are low and HALT is high, VCTR is set high and VCTR is set low when E5 is clocked by the 12-MHz clock signal. VCTR is ORed with CNTR by gate M5 to set GO high.

SCALE, CNTR, DVY11-DVY12, and DVX11-DVX12 are gated with VCTR to produce the clear signal for Normalization Flag latch A6.

In the Z Intensity and Blanking circuit, VCTR is the clock signal for latch H6 and the serial input signal for shift register M3.

VCTR and VCTR are used by the DAC Reference and Bipolar Current Sources circuit to set the X BIP, Y BIP, X REF, and Y REF levels.

### VGCK

The Vector Generator clock signal is generated at pin 18 of buffer B1 in the Microprocessor circuit. VGCK is derived from the 1.5 MHz clock signal and is applied to AND gate J5 of the State Machine Clock Logic circuit. VGCK is the basic timing signal of the State Machine circuit.

### VGGO

The Vector Generator Go signal is an active low-level signal software-generated by Address Decoder P3 at address 8840. VGGO is the clear signal for latch L5 of the Halt Flag circuit. When low, VGGO sets HALT to the inactive low level.

### VGRST

Vector Generator Reset is an active low-level signal software-generated by Address Decoder P3 at address 8880. VGRST is ORed with RESET by gate L6 of the Halt Flag circuit to produce DISRST.

### VMEM

The Vector Memory Select Enable is an active low-level signal software-generated by Address Decoder R1 during addresses 2000 through 5FFF. VMEM is the select-enable signal for Vector Address Selectors K8, L8, M8, and N8. When low, VMEM allows the Vector Address Selectors to produce VW, BUFFEN, and the AM0-AM12 multiplexed address bits. VMEM is also applied to gate K5 of the State Machine Clock Logic circuit where it is used to generate ST3.

### VRAM

The Vector Random-Access Memory Chip Enable is an active low-level signal software-generated by Vector Address Decoder J7 at addresses 2000-27FF. When low, VRAM enables Vector Random-Access Memory K7 to be addressed to either receive or transmit data, depending upon the state of VW. VRAM is also used to produce the SAEN signal from M5 of the Vector Address Selector circuit.

### VROM0

Vector Read-Only Memory Chip Select 0 is an active low-level signal software-generated by Vector Address Decoder J7 at addresses 2800-2FFF. VROM0 is the chip-select signal for ROM L7 of the Vector Read-Only Memory circuit. When low, VROM0 allows ROM L7 to be addressed and to pass data to the Vector Generator Data Bus.

### VROM1

Vector Read-Only Memory Chip Select 1 is an active low-level signal software-generated by Vector Address Decoder J7 at addresses 3000-3FFF. VROM1 is the chip-select signal for ROM M/N7 of the Vector Read-Only Memory circuit. When low, VROM1 allows ROM M/N7 to be addressed and to pass data to the Vector Generator Data Bus.

### VROM2

Vector Read-Only Memory Chip Select 2 is an active low-level signal software-generated by Vector Address Decoder J7 at addresses 4000-4FFF. VROM2 is the chip-select signal for ROM N/P7 of the Vector Read-Only Memory circuit. When low, VROM2 allows ROM N/P7 to be addressed and to pass data to the Vector Generator Data Bus.

### VROM3

Vector Read-Only Memory Chip Select 3 is an active low-level signal software-generated by Vector Address Decoder J7 at addresses 5000-5FFF. VROM3 is the chip-select signal for ROM R7 of the Vector Read-Only Memory circuit. When low, VROM3 allows ROM R7 to be addressed and to pass data to the Vector Generator Data Bus.

### VW

The Vector Write Enable is an active low-level signal software-generated from Vector Address Selector K8, ANDed with Bφ2 by gate J6, and applied as the write-enable signal for Vector Random-Access Memory K7. When low, VW allows data to be written to K7; when high, VW permits data to be read from K7.

### WDCLR

Watchdog Clear is an active low-level signal software-generated by Address Decoder P3 at address 8980. WDCLR is ORed with POR by gate E3 to clear the count of Watchdog counter H4.

### WDDIS

Watchdog Disable is a test point at pin 9 of AND gate L4 in the Watchdog circuit. When WDDIS is grounded, RESET is prevented from going to an active low level (except when the RESET test point is grounded).

### WRITE

Write Enable is an active low-level signal generated by gate K4 of the Microprocessor circuit. WRITE is used to enable Address Decoder P3 and Random-Access Memory N/P1. WRITE is also applied to pin 11 of K8 in the Vector Address Selector circuit to develop VW.

### X BIP

The X-Axis Bipolar Current is set by R99 of the DAC Reference and Bipolar Current Sources circuit. This is the current source for pin 18 of X-axis digital-to-analog converter (DAC) A/B9 of the X-Axis Output circuit.

### X OUT

X Output is a game PCB output signal generated by the X-Axis Output circuit. X OUT carries the horizontal beam deflection signal for the drawing of vectors on the display.

### X REF

The X-Axis Voltage Reference is set by the DAC Reference and Bipolar Current Sources circuit. This is the reference voltage applied to pin 14 of X-axis digital-to-analog converter (DAC) A/B9 of the X-Axis Output circuit.

### Y BIP

The Y-Axis Bipolar Current is set by R98 of the DAC Reference and Bipolar Current Sources circuit. This is the current source for pin 18 of Y-axis digital-to-analog converter (DAC) F9 of the Y-Axis Output circuit.

### Y OUT

Y Output is a game PCB output signal generated by the Y-Axis Output circuit. Y OUT carries the vertical beam deflection signal for the drawing of vectors on the display.

### Y REF

The Y-Axis Voltage Reference is set by the DAC Reference and Bipolar Current Sources circuit. This is the reference voltage applied to pin 14 of Y-axis digital-to-analog converter (DAC) F9 of the Y-Axis Output circuit.

### Z0-Z2, Z1-Z2

Z Intensity signals Z0-Z2 and Z1-Z2 are software-generated by latch C6 in the Op Code and Intensity Latches circuit. These signals are derived from the data on lines DVG51-DVG7 when C6 is clocked by LATCH3. If the binary count carried by Z0-Z2 is not equal to 1, these signals are the input signals for latch F6 in the Z Intensity and Blanking circuit. If the binary count carried by Z0-Z2 is 1, Z Intensity signals Z0, Z1, and Z2 are ANDed by gate F5 of the

Z Intensity and Blanking circuit to produce the select signal for latch F6. This select signal causes the latched data from E6 to be applied as the input signals for latch F6.

### Z OUT

Z Intensity Output is a game PCB output signal generated by the Z Intensity and Blanking circuit from either DVY4-DVY7 or Z0-Z2. The Q output signals from latch H6 are summed at the base of Q7. Transistors Q7 and Q9 buffer Z OUT before it is sent to the game display circuitry to control the display intensity.

### 3 KHZ

The 3 kHz clock signal is generated at pin 6 of Clock counter F4 and is applied through switch input buffer M9 of the Coin Door and Control Panel Input circuit (when SINP1 is low). The 3 kHz clock is read by the microprocessor on data line DB7. This frequency is the time reference for the Microprocessor C2.

### 12 KHZ

The 12 kHz clock signal is generated at pin 4 of Clock counter F4 and is applied to reset A4 of the High-Score Table.

### 3 MHZ

The 3 MHz clock signal is generated at pin 2 of Clock counter F4. The 3 MHz signal is ANDed with R/WB and Bφ2 by gate K4 to produce WRITE. It is also applied to AND gate J5 of the State Machine Clock Logic and to shift register M3 of the Z Intensity and Blanking circuit.

### 6 MHZ

The 6 MHz clock signal is generated at pin 3 of Clock counter F4 and is applied to gate J5 of the State Machine Clock Logic circuit.

### 12 MHZ

The 12 MHz clock signal is generated at pin 10 of inverter F3 in the Clock circuit. This signal clocks the Vector Timer Shifters, the Vector Flag latch, and the Center Flag latch.



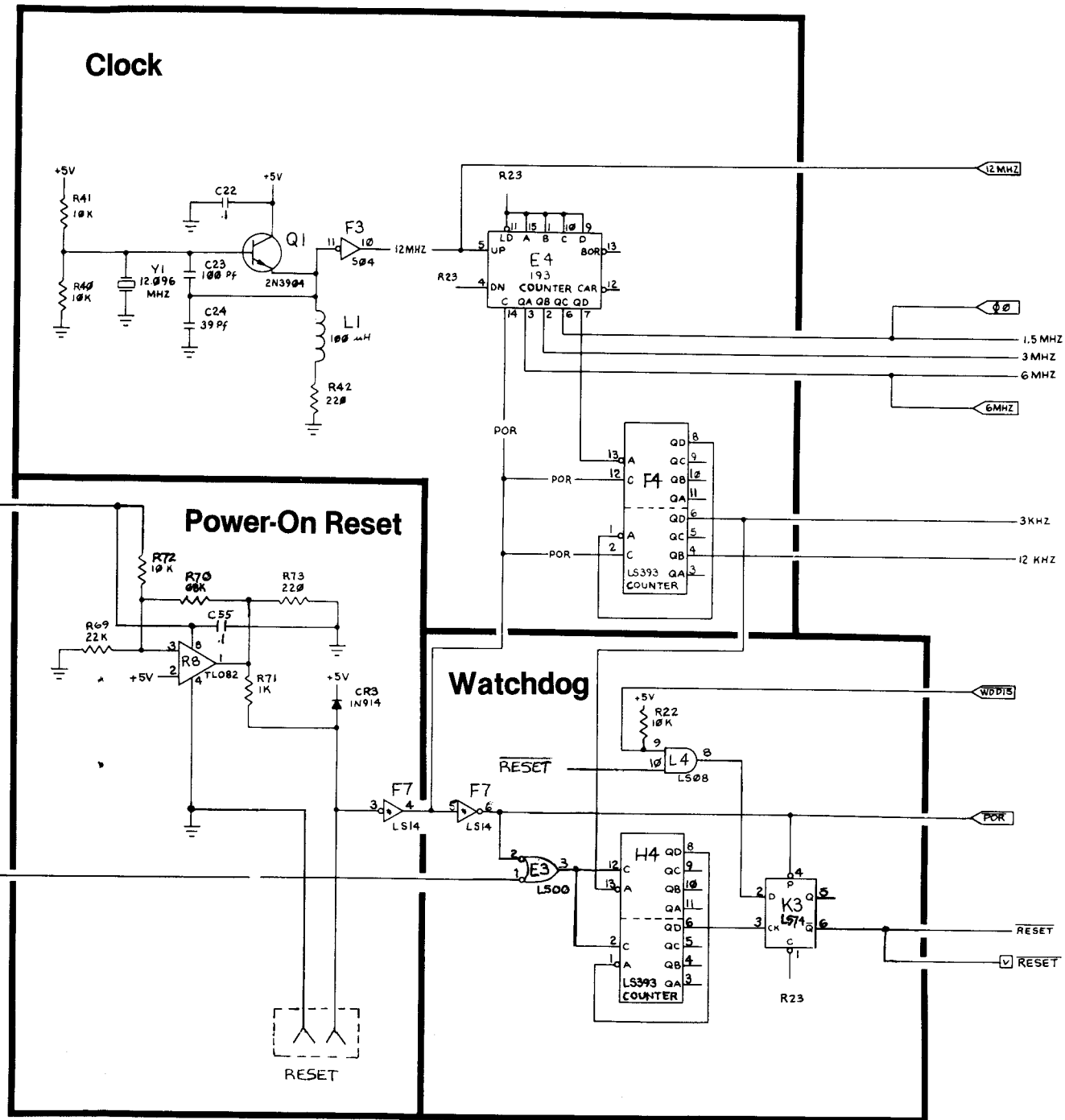
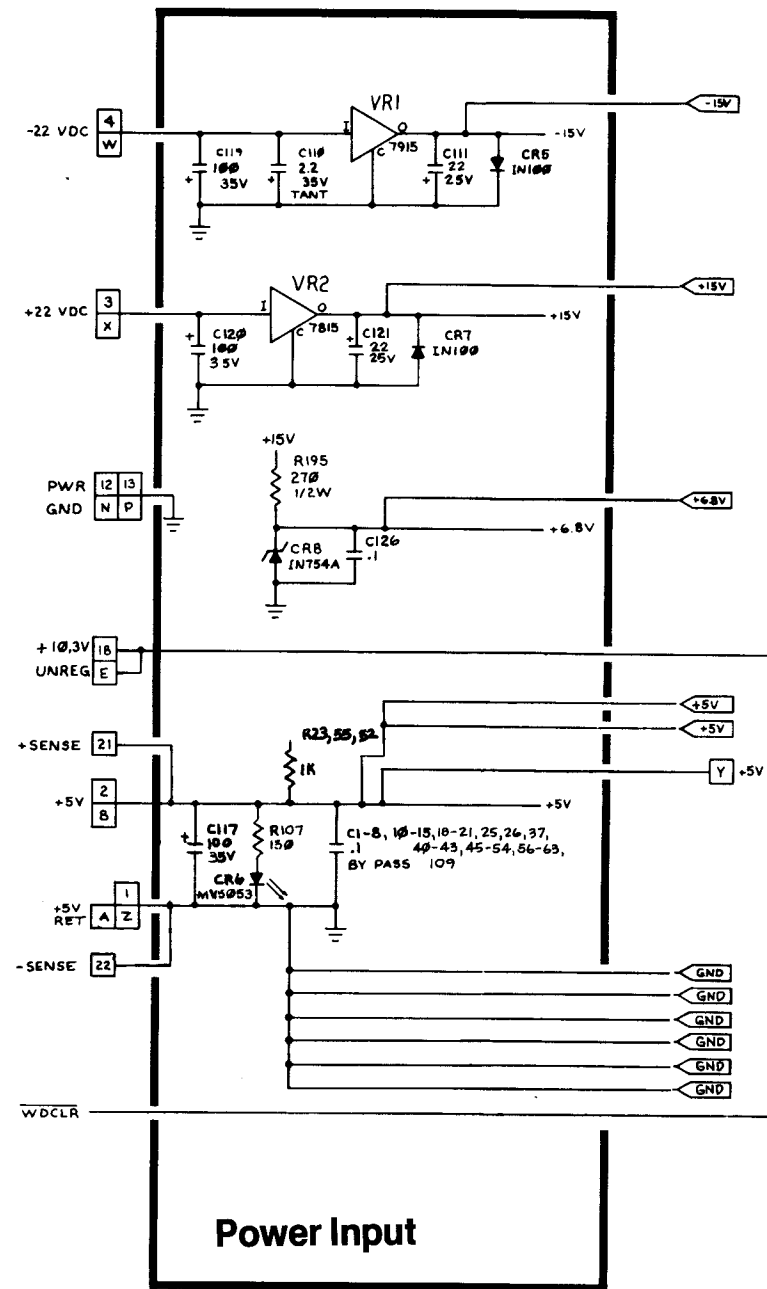
## Black Widow PCB Signal Name Descriptions

© ATARI INC., 1983

A Warner Communications Company

SP-234 Sheet 5A

1st printing



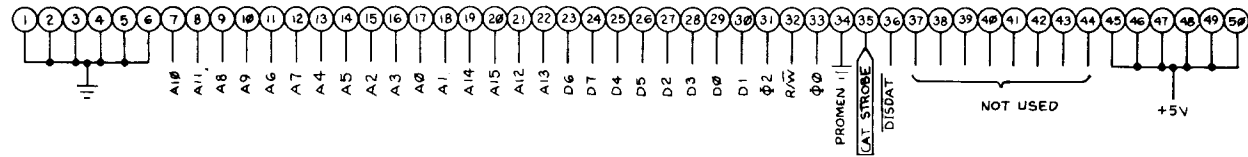
**Black Widow PCB Schematic Diagram**

© ATARI INC., 1983

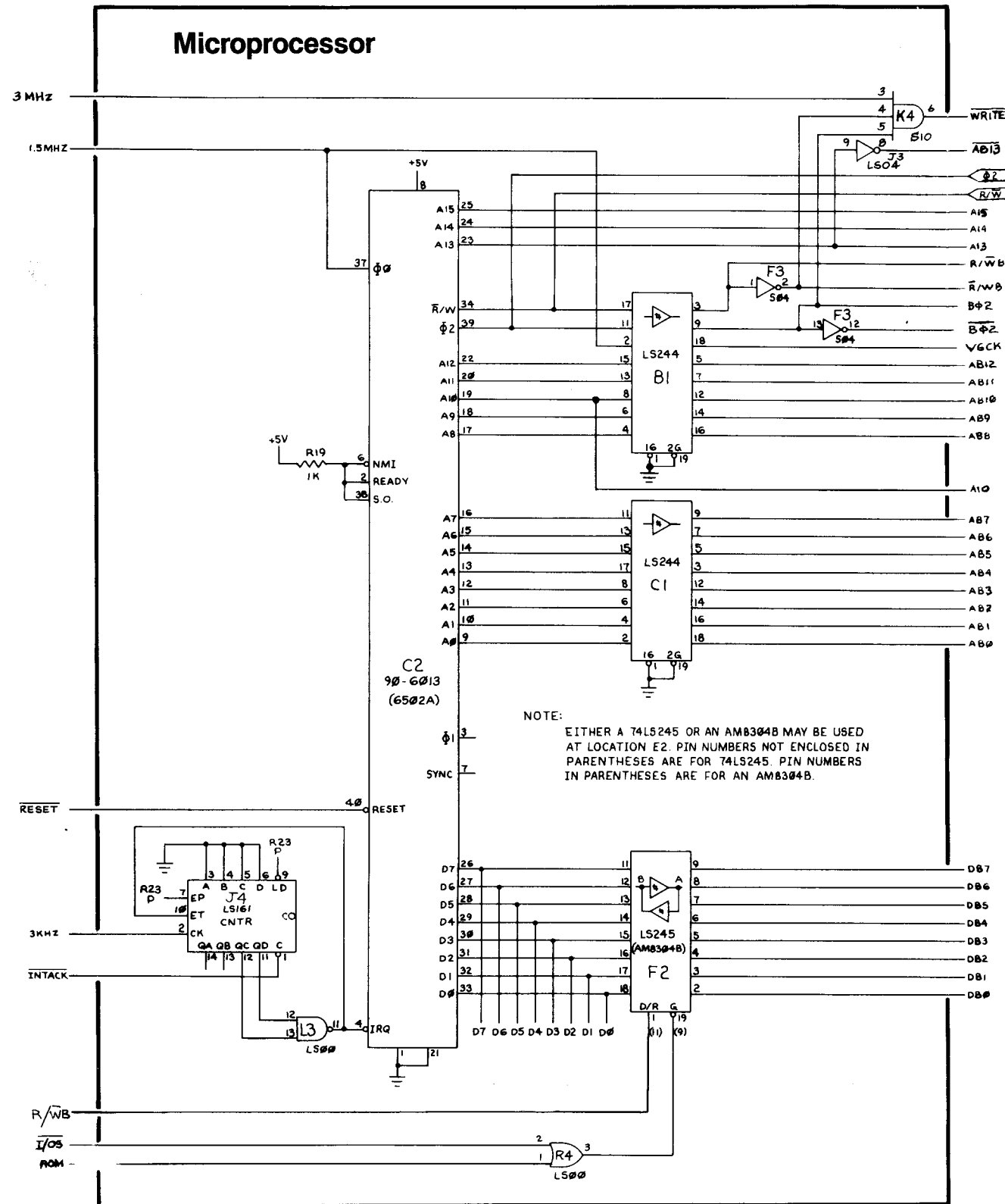
A Warner Communications Company

SP-234 Sheet 5B  
1st printing

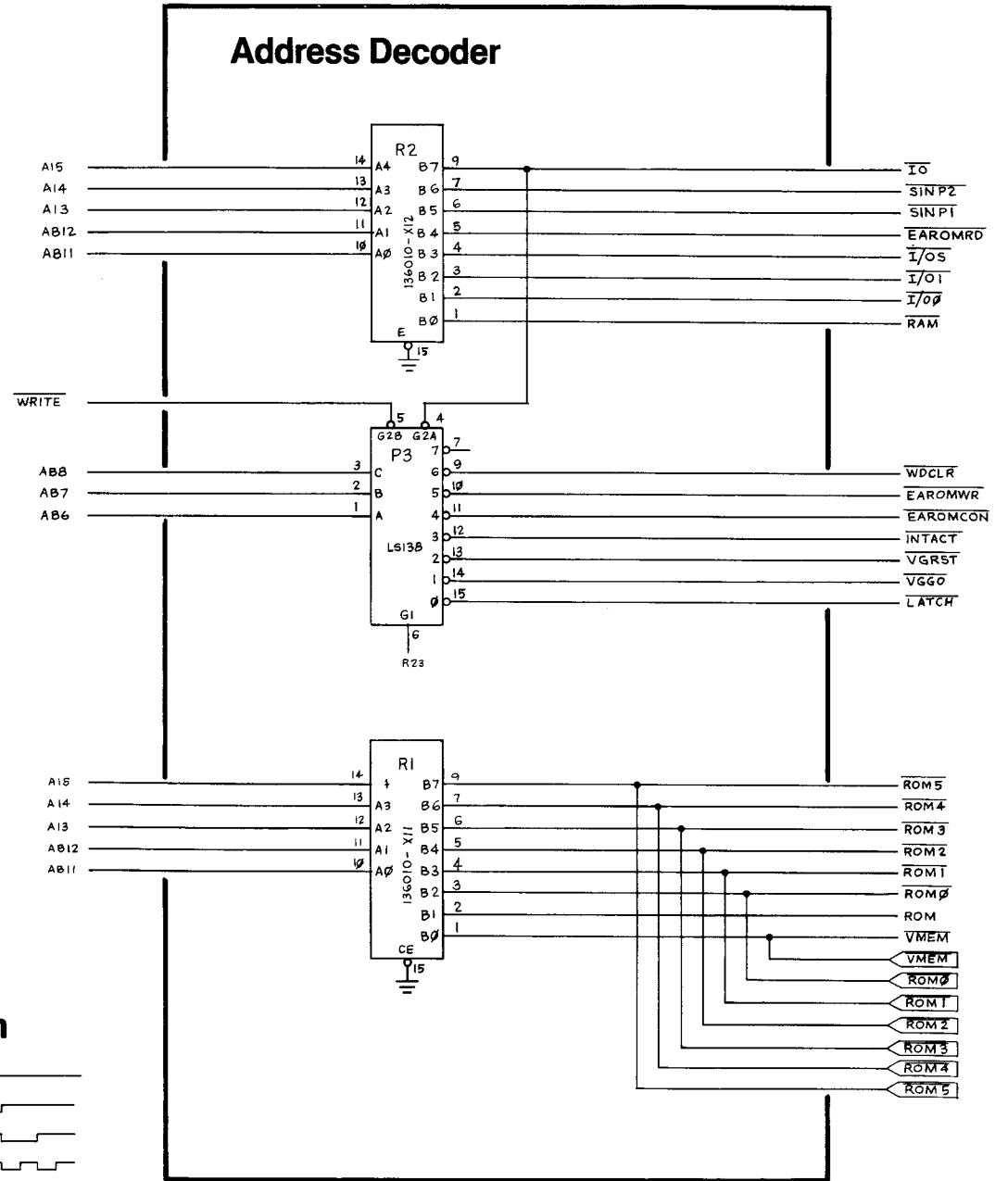
### Test Connector



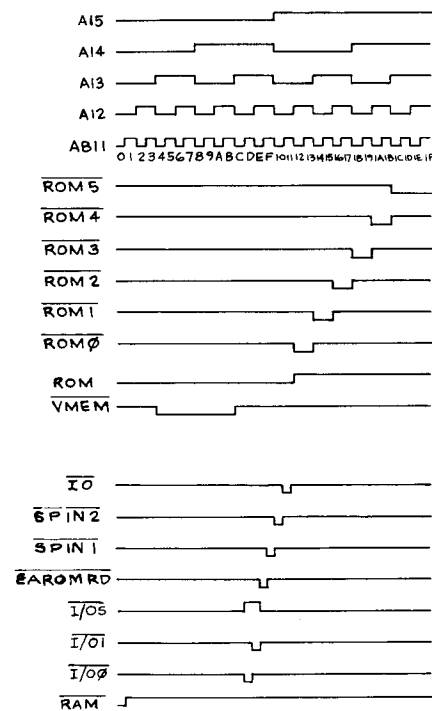
### Microprocessor



### Address Decoder



### Timing Diagram

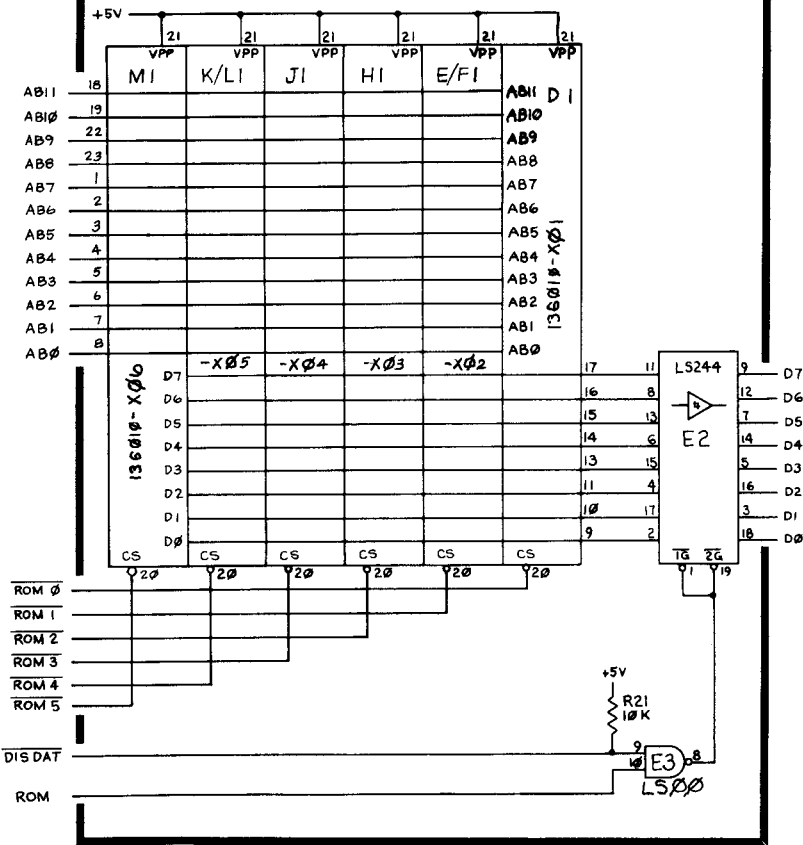


### Black Widow PCB Schematic Diagram

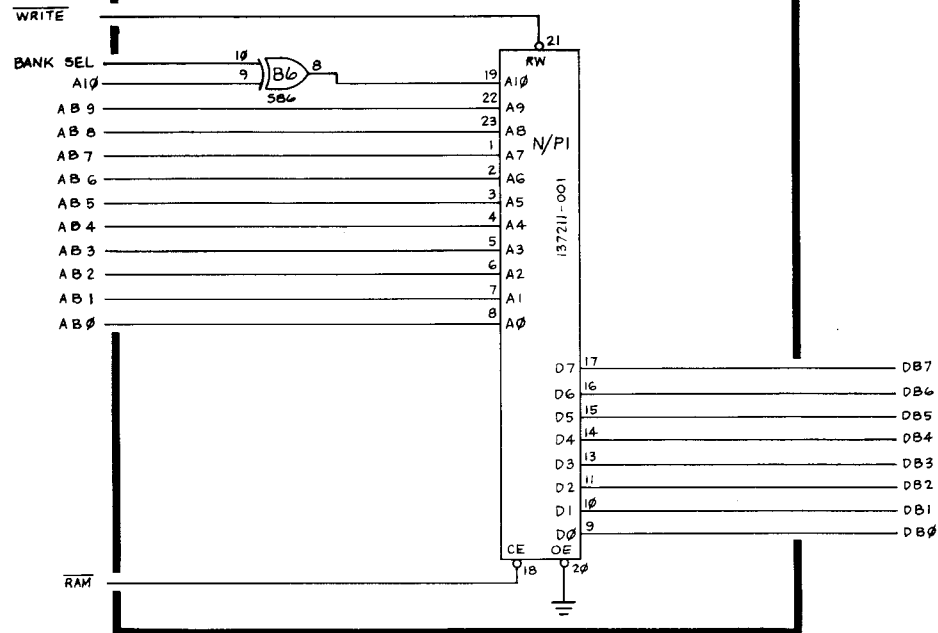
© ATARI INC., 1983  
A Warner Communications Company

SP-234 Sheet 6A  
1st printing

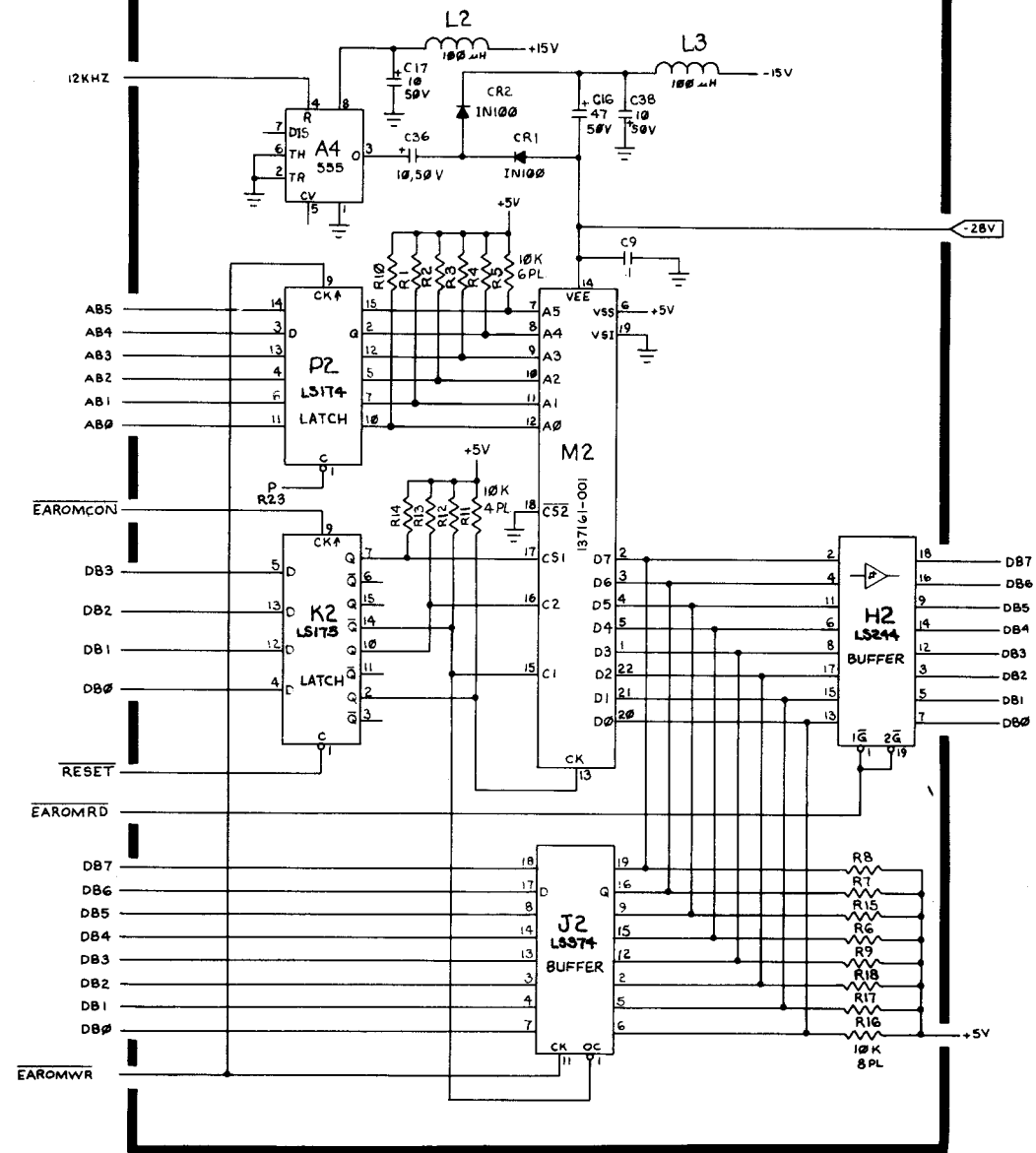
### Read-Only Memory



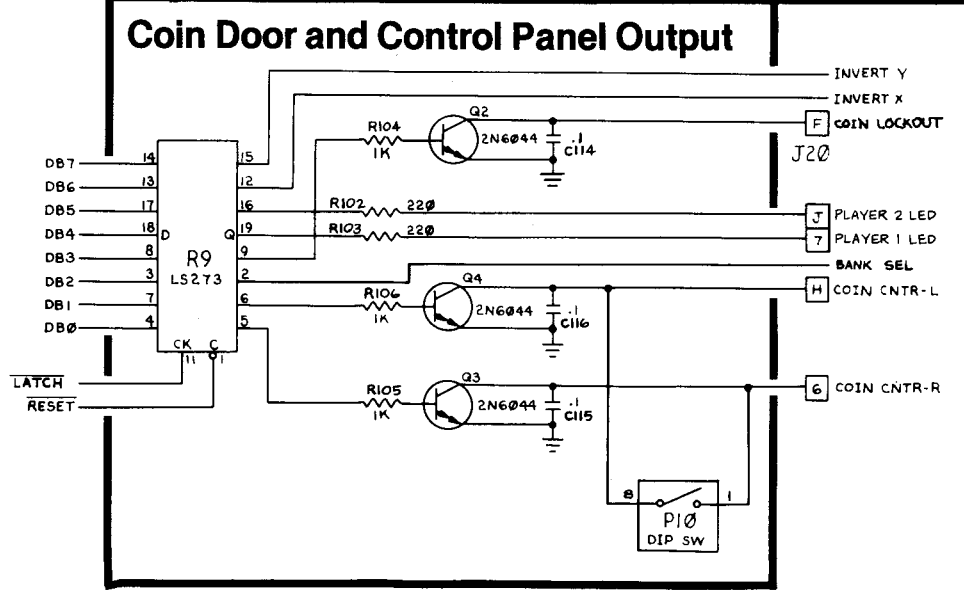
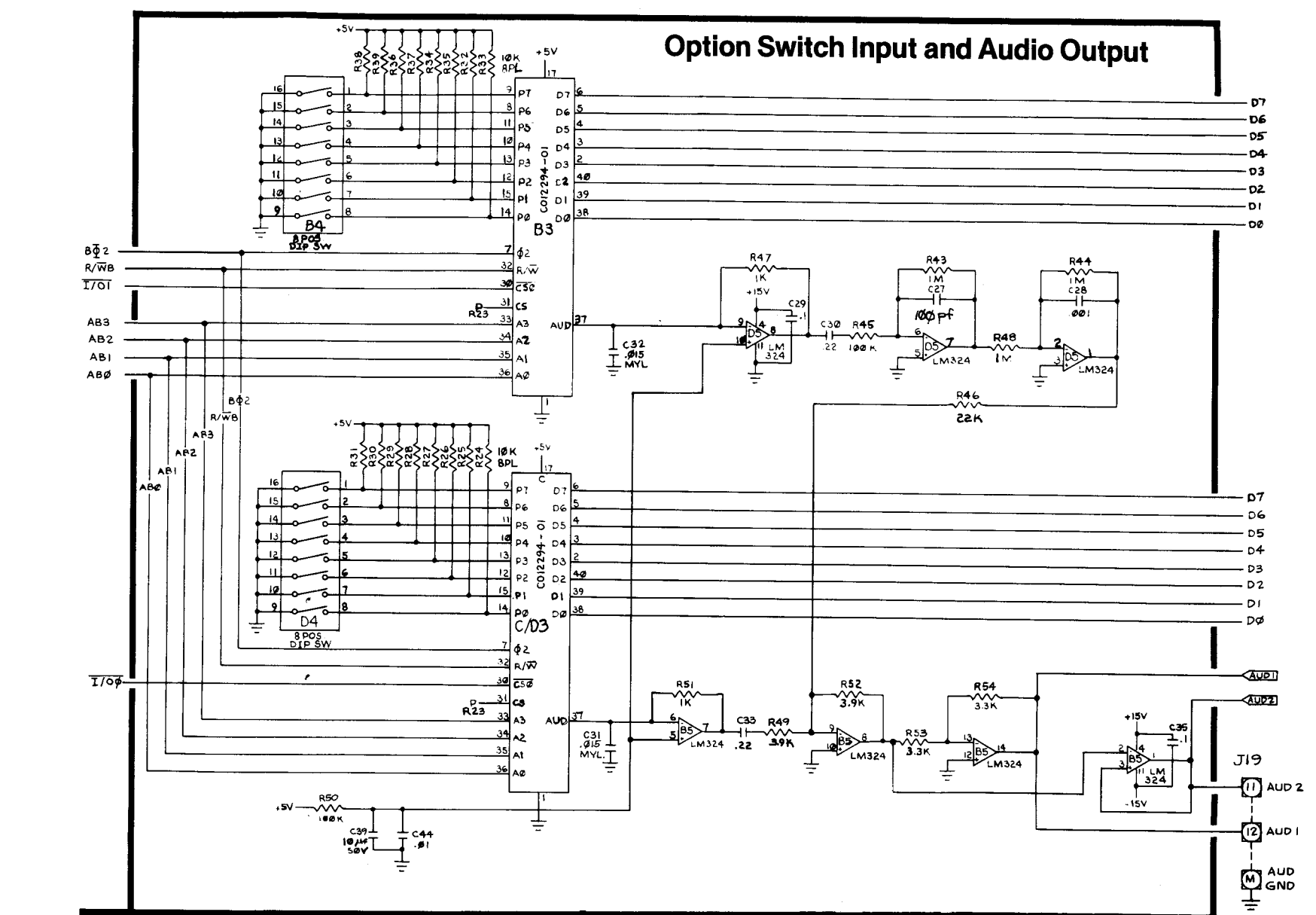
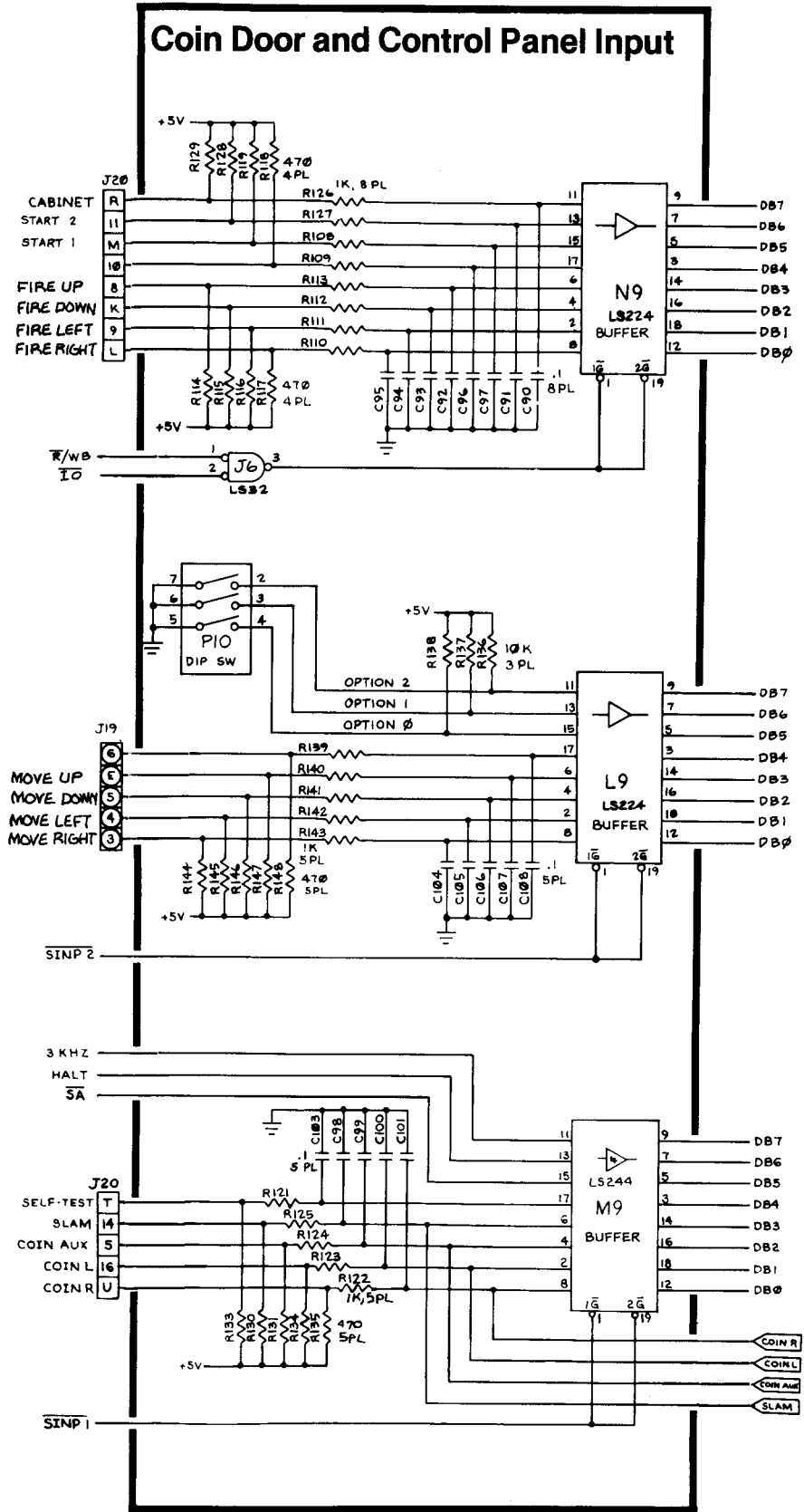
### Random-Access Memory



### High-Score Table



### Black Widow PCB Schematic Diagram

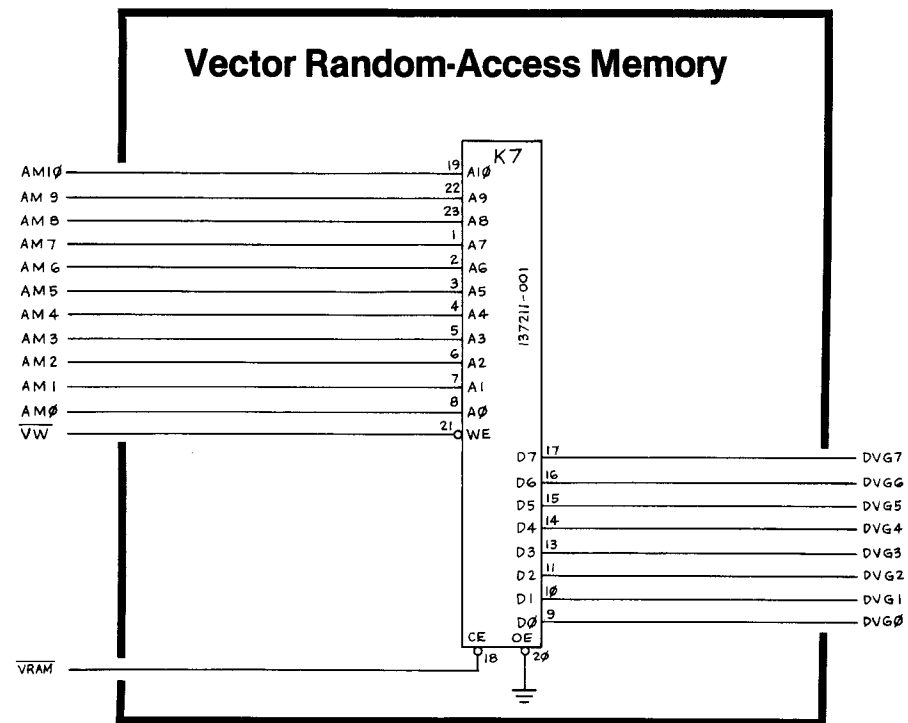
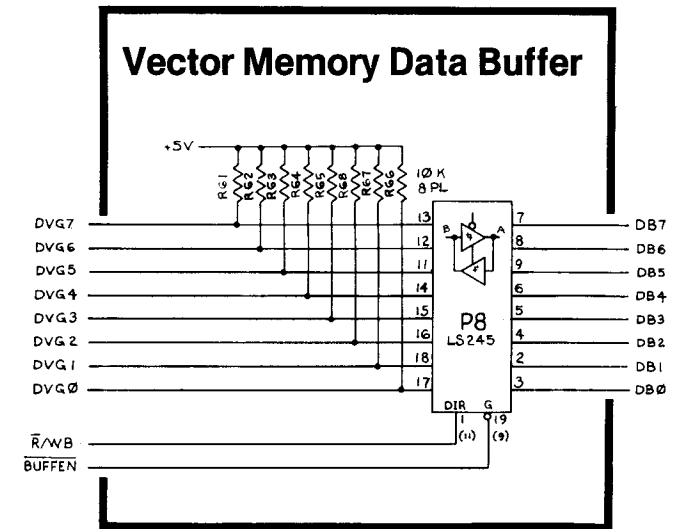
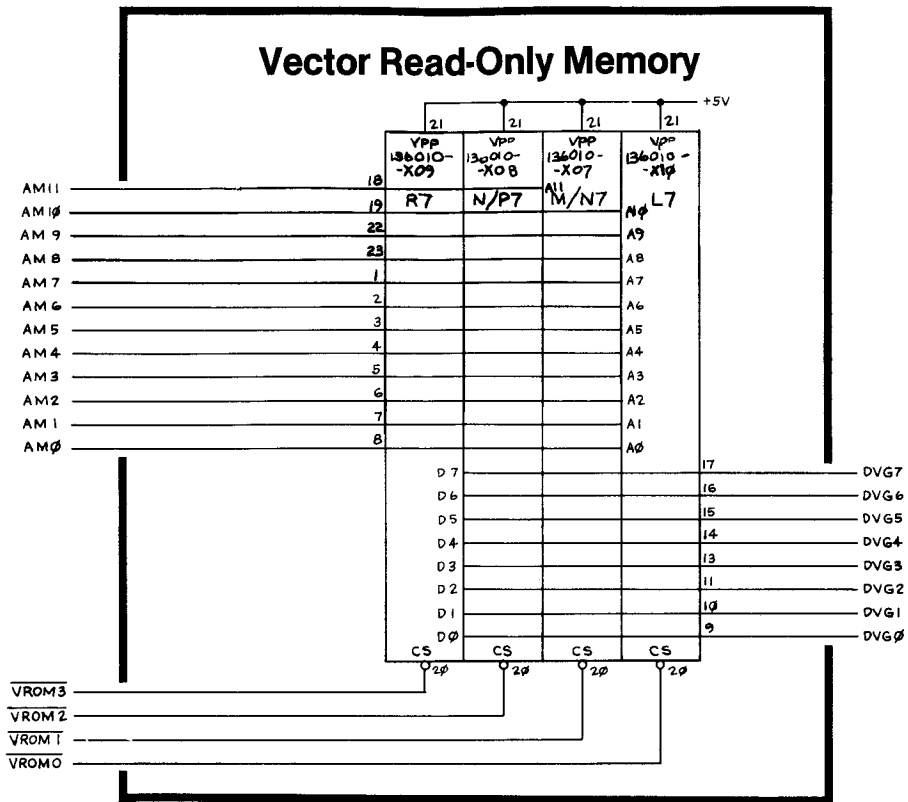
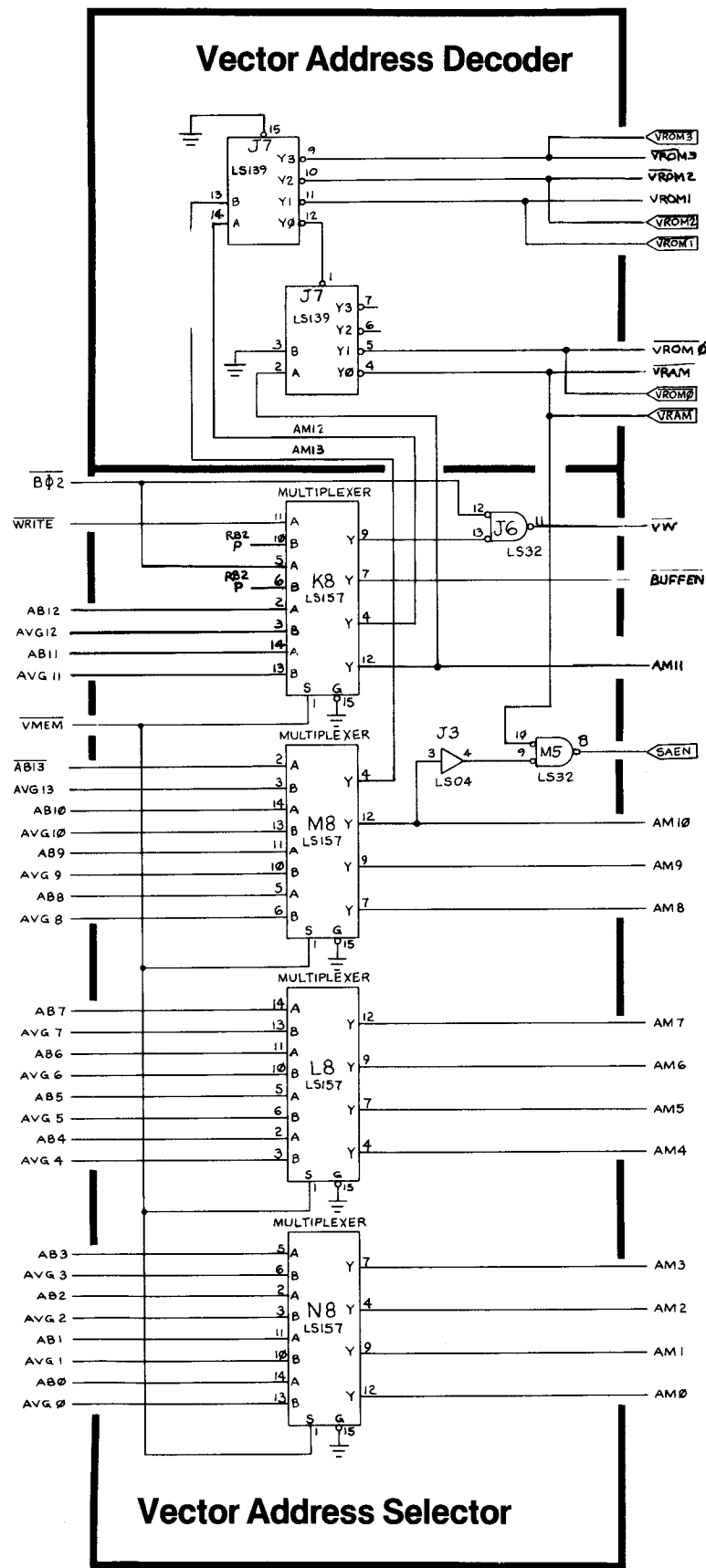



**Black Widow PCB Schematic Diagram**

© ATARI INC., 1983  
 A Warner Communications Company

SP-234 Sheet 7A  
 1st printing





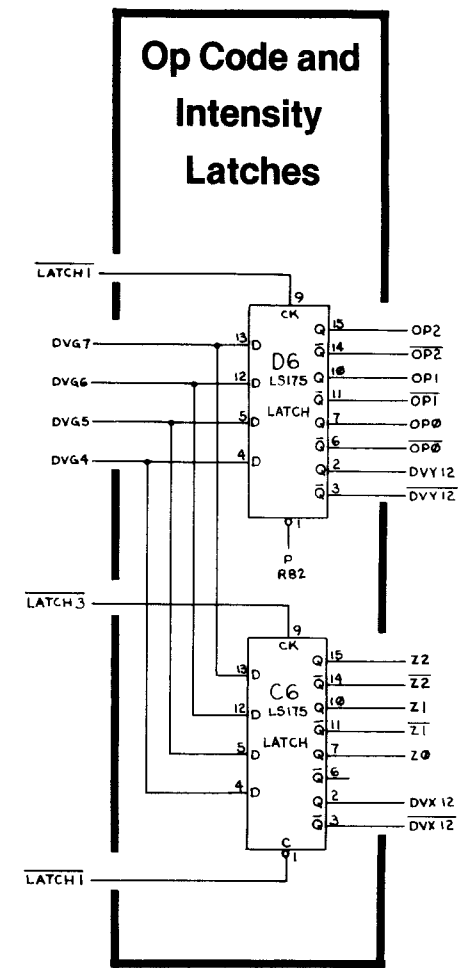
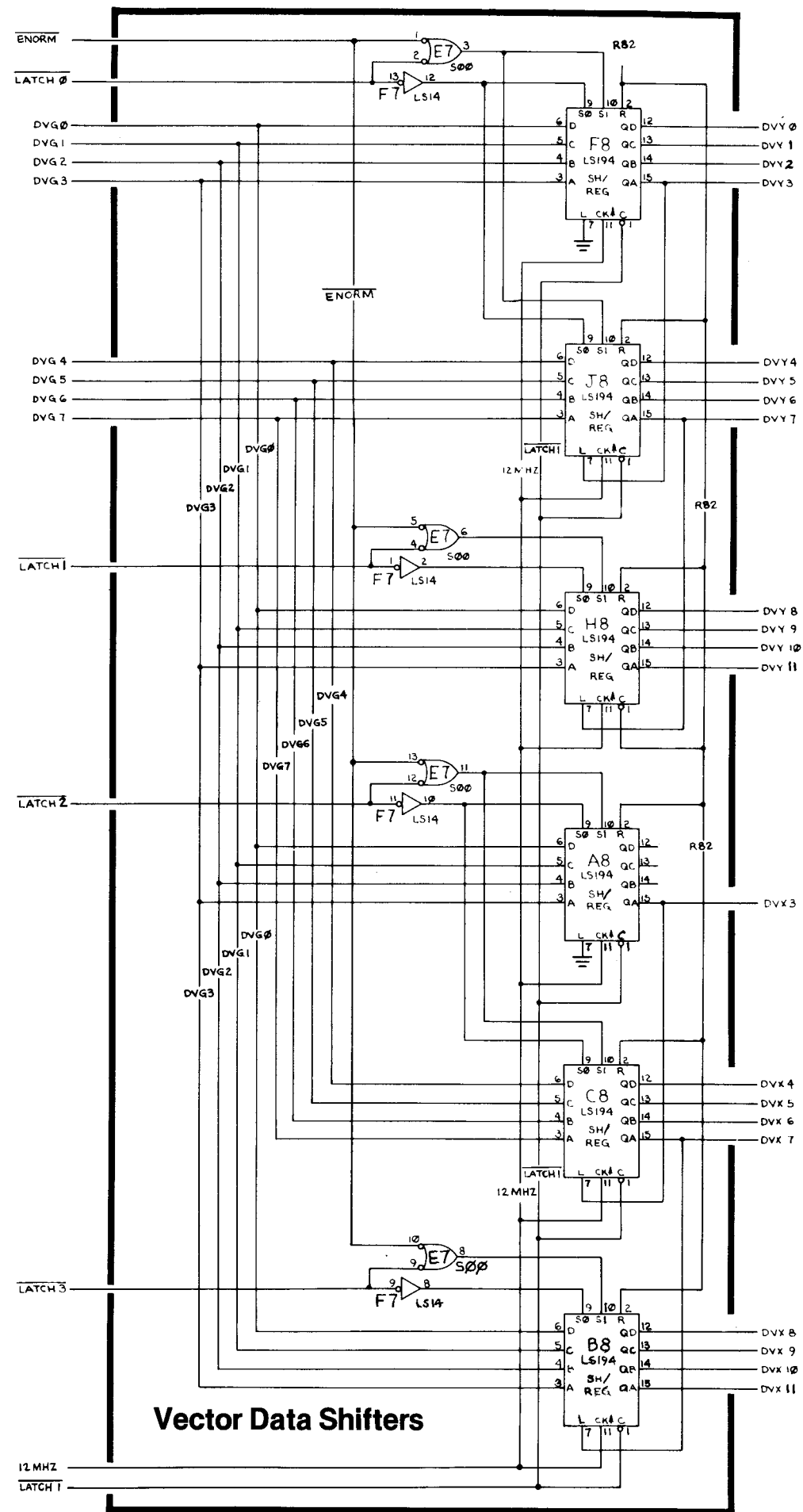


**ATARI**

**Black Widow PCB Schematic Diagram**

© ATARI INC., 1982  
A Warner Communications Company

SP-234 Sheet 7B  
1st printing



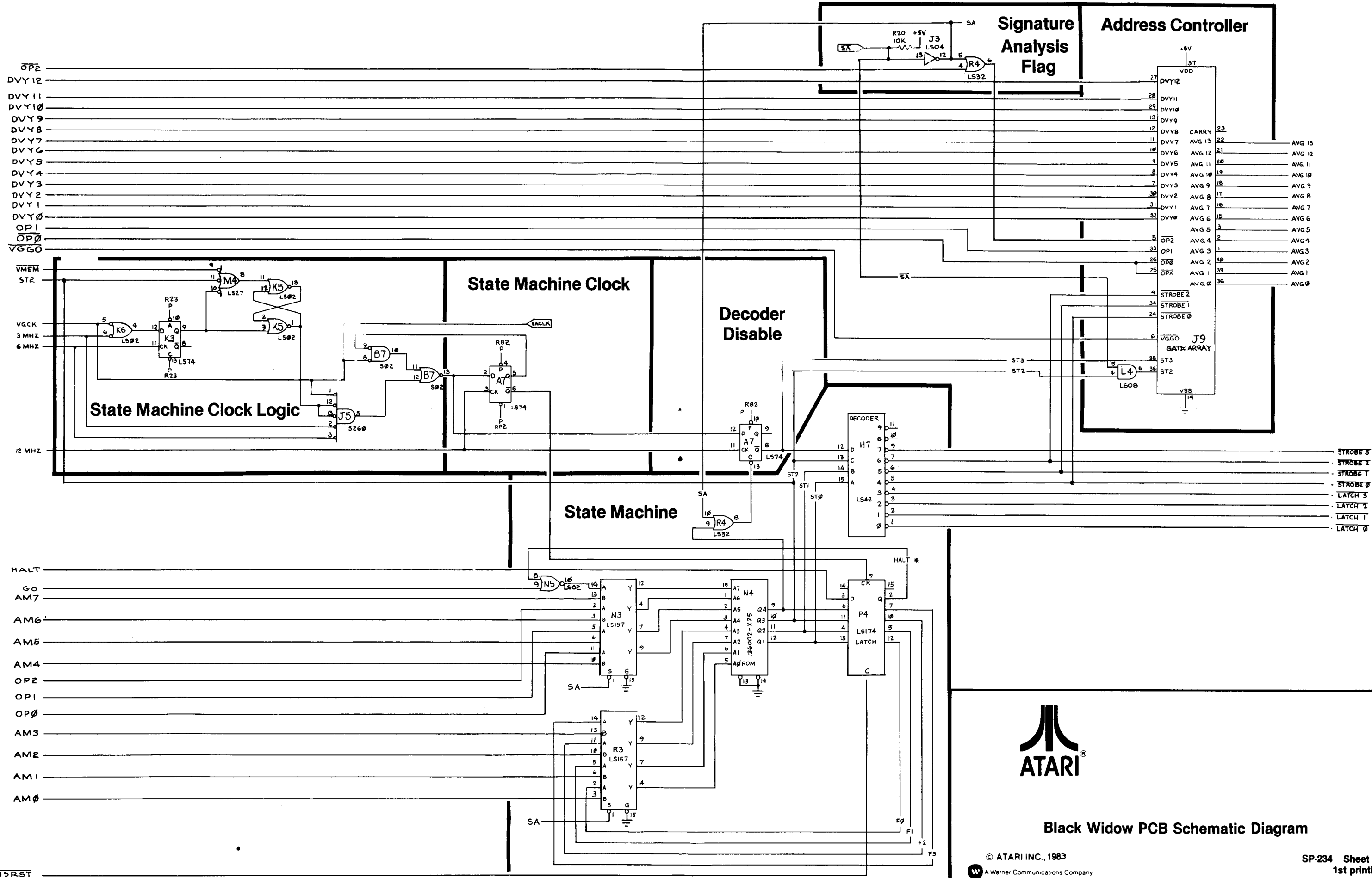
**ATARI®**

**Black Widow PCB Schematic Diagram**

© ATARI INC., 1983

A Warner Communications Company

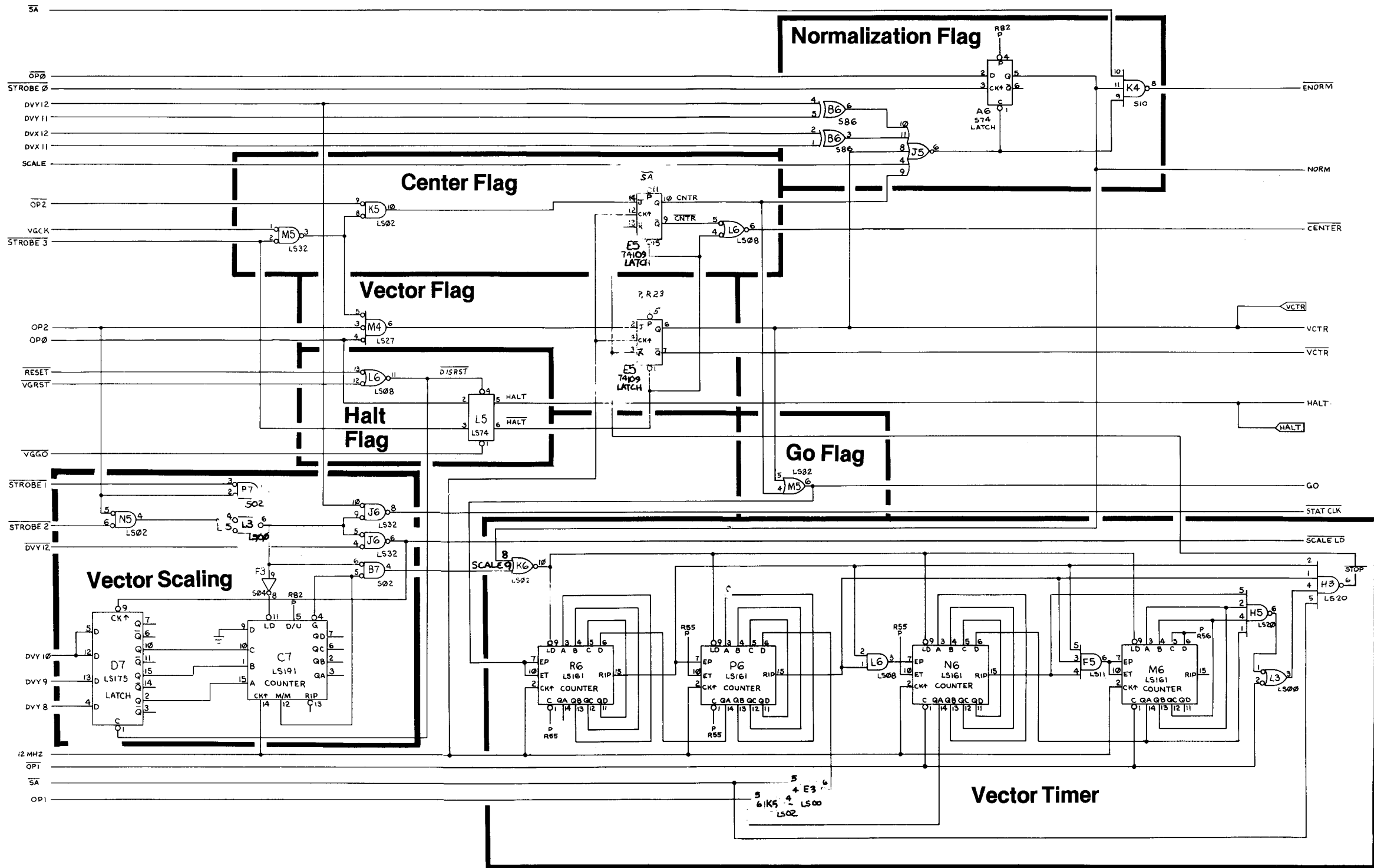
SP-234 Sheet 8A  
1st printing



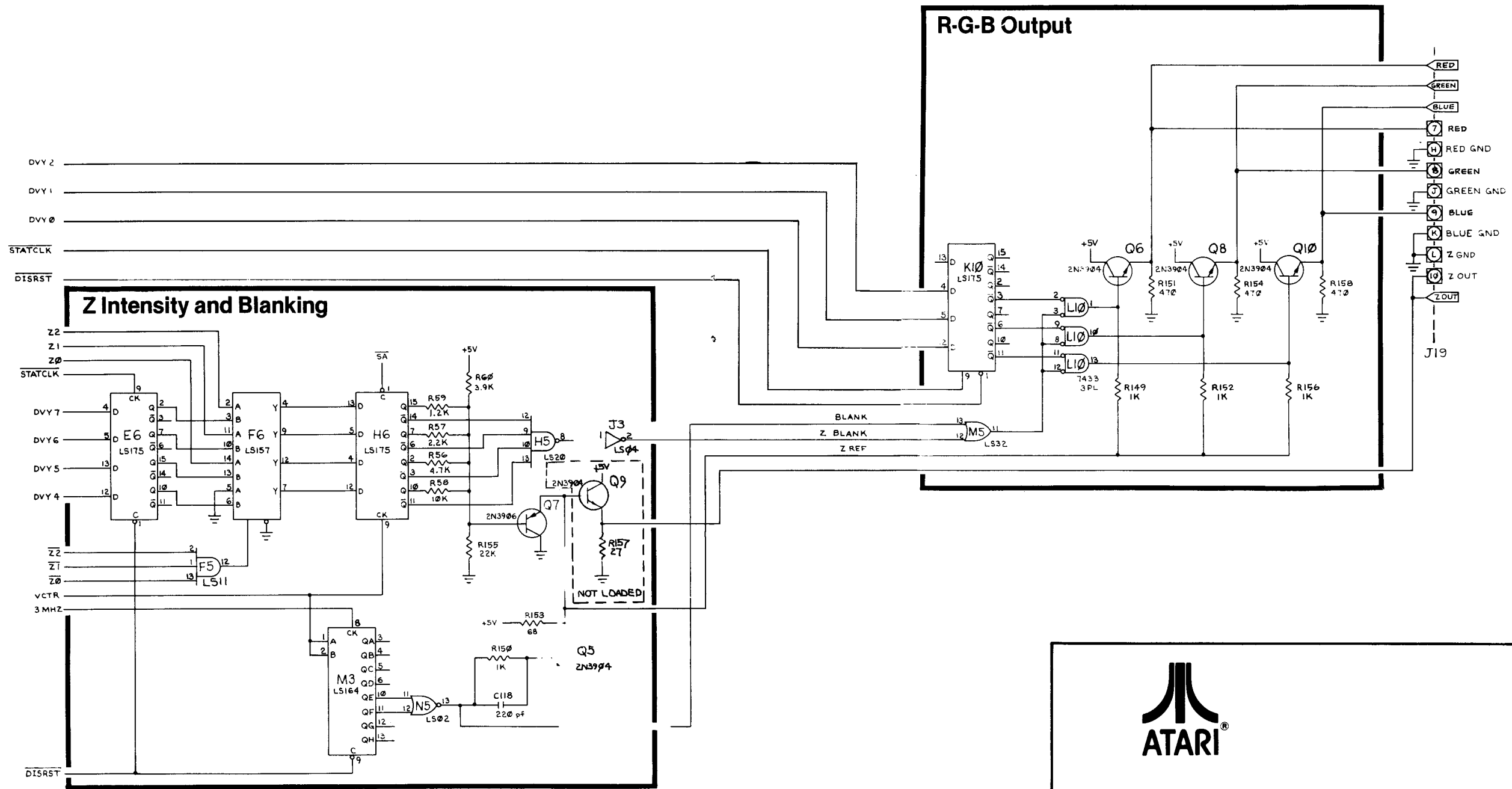
**Black Widow PCB Schematic Diagram**


© ATARI INC., 1983  
 A Warner Communications Company

SP-234 Sheet 8B  
 1st printing



**Black Widow PCB Schematic Diagram**



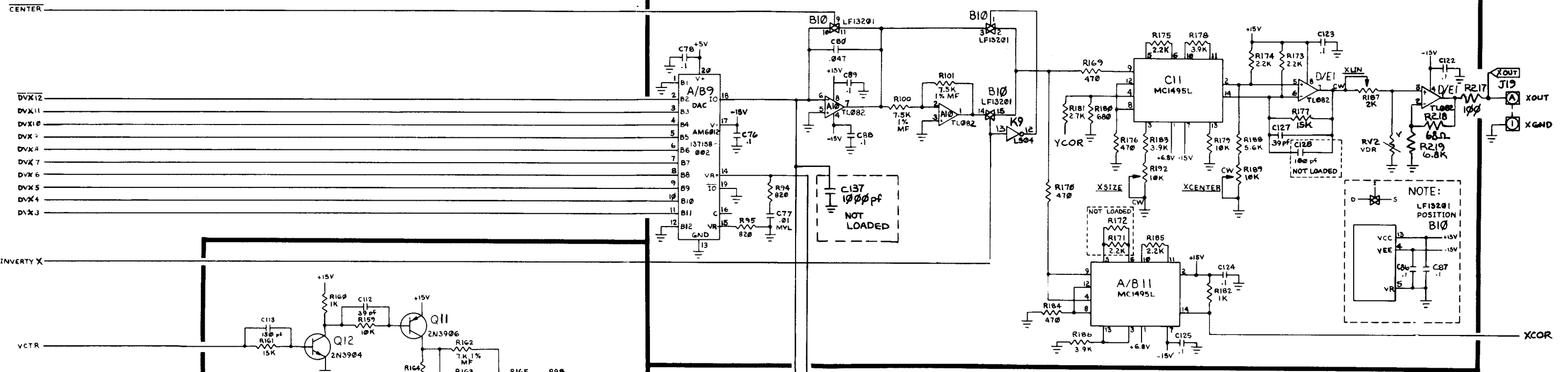
  
**ATARI**

**Black Widow PCB Schematic Diagram**

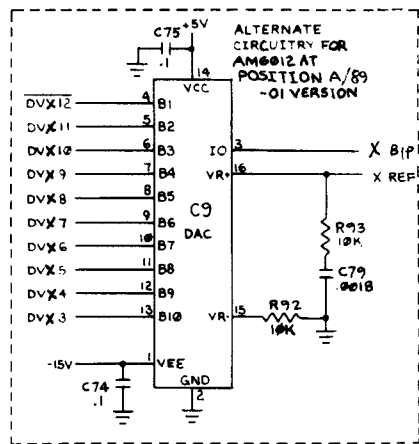
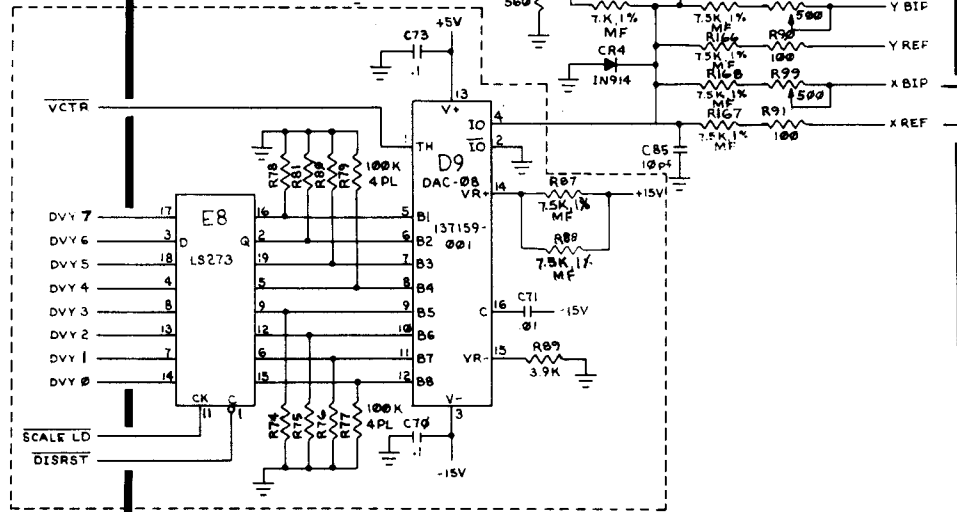
© ATARI INC., 1983  
 A Warner Communications Company


SP-234 Sheet 9B  
 1st printing

# X-Axis Output



# DAC Reference and Bipolar Current Sources



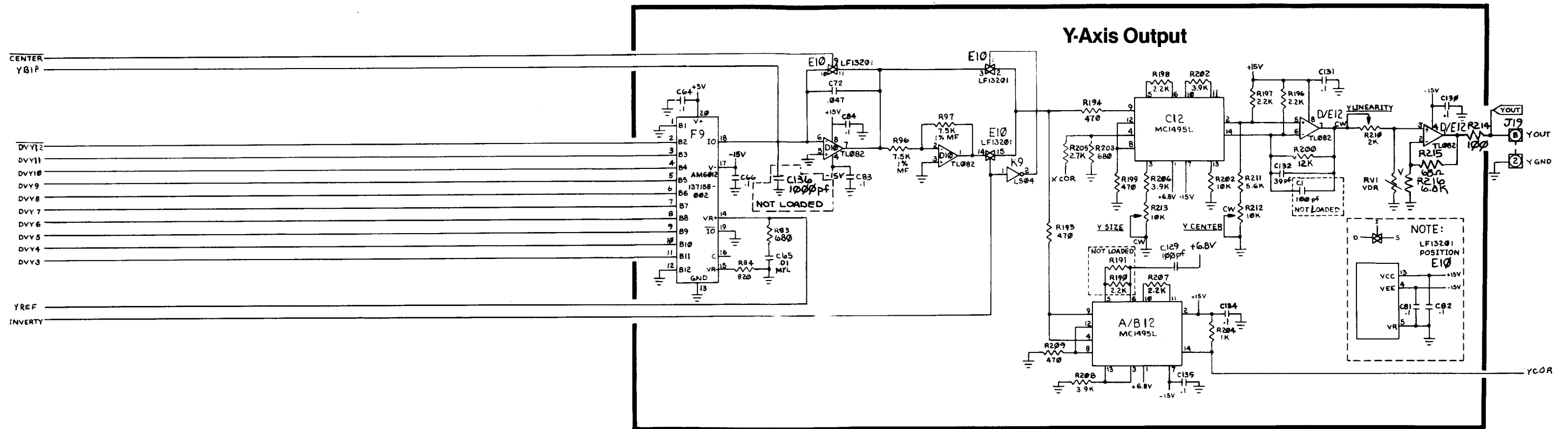


**ATARI**

**Black Widow PCB Schematic Diagram**

© ATARI INC., 1983  
A Warner Communications Company

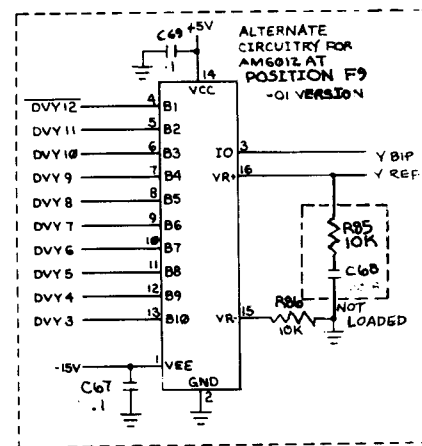
SP-234 Sheet 10A  
1st printing




### Adjusting X- and Y-Axis Video Potentiometers

If you replace the main Gravitar PCB or the display, you may have to make the following adjustments:

1. Enter self-test and advance to diagonal crosshatch pattern (Screen 2).
2. **Centering Pots:** Adjust X CENTER (R189) and Y CENTER (R212) so that the crosshatch pattern is located at the middle of the screen.
3. **Size Pots:** Adjust XSIZE (R192) and YSIZE (R213) so that the crosshatch pattern exactly covers the whole visible screen.
4. **Linearity Pots:** Adjust XLIN (R187) and YLIN (R210) so that the diagonal lines are straight. Since the LIN pots change the size of the displayed picture on the screen, you may have to readjust the SIZE pots in order to get the correct adjustment.
5. **Bipolar Pots:** Advance to the self-test raster pattern (Screen 4). Adjust XBIP (R99) and YBIP (R98) for a 1-inch high horizontal raster in the center of the screen. Be sure the raster ends are square with the sides of the outer rectangle.





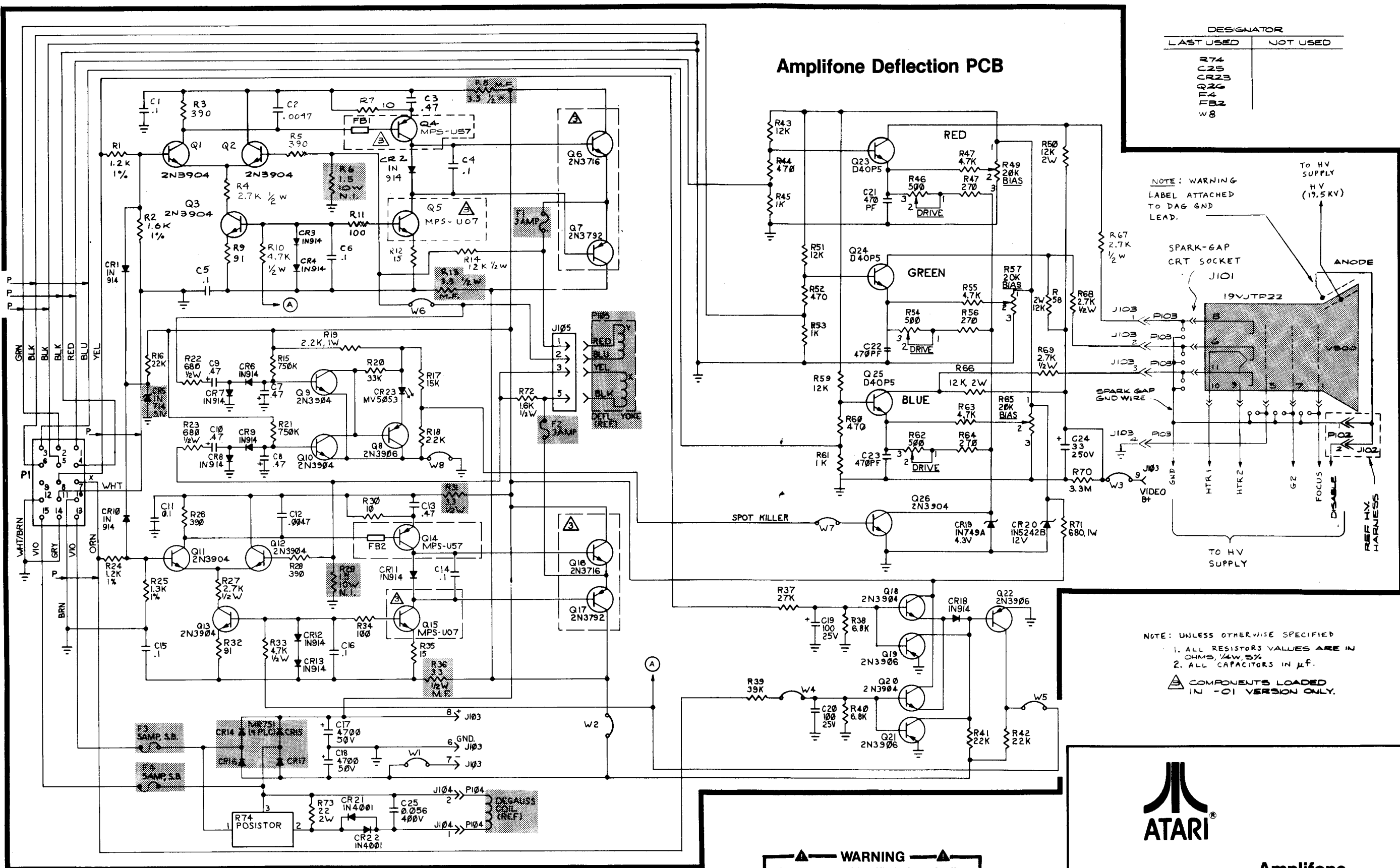
**ATARI**

**Black Widow PCB Schematic Diagram**

© ATARI INC., 1985  
A Warner Communications Company

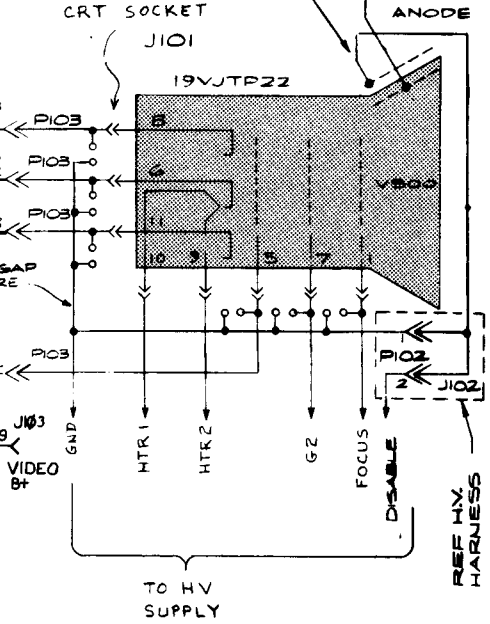
SP-234 Sheet 10B  
1st printing

### Amplifone Deflection PCB



DESIGNATOR	
LAST USED	NOT USED
R74	
C25	
CR23	
Q26	
FB2	
W8	

NOTE: WARNING LABEL ATTACHED TO DAG GND LEAD.



NOTE: UNLESS OTHERWISE SPECIFIED  
 1. ALL RESISTOR VALUES ARE IN OHMS, 1/4W, 5%  
 2. ALL CAPACITORS IN μF.  
 ⚠ COMPONENTS LOADED IN -01 VERSION ONLY.

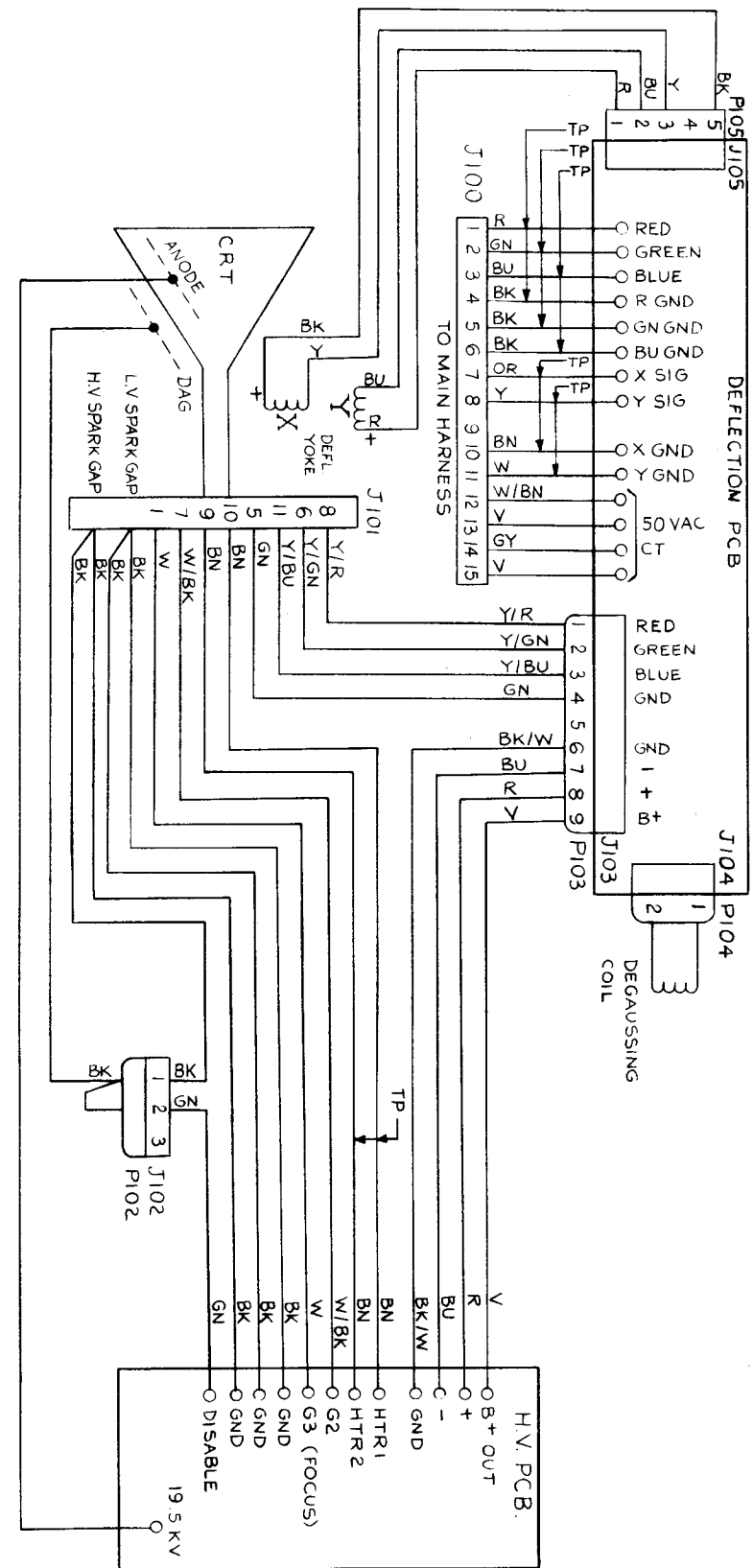
**WARNING**  
 Components identified by shading have special characteristics important to safety and must be replaced only with identical parts.



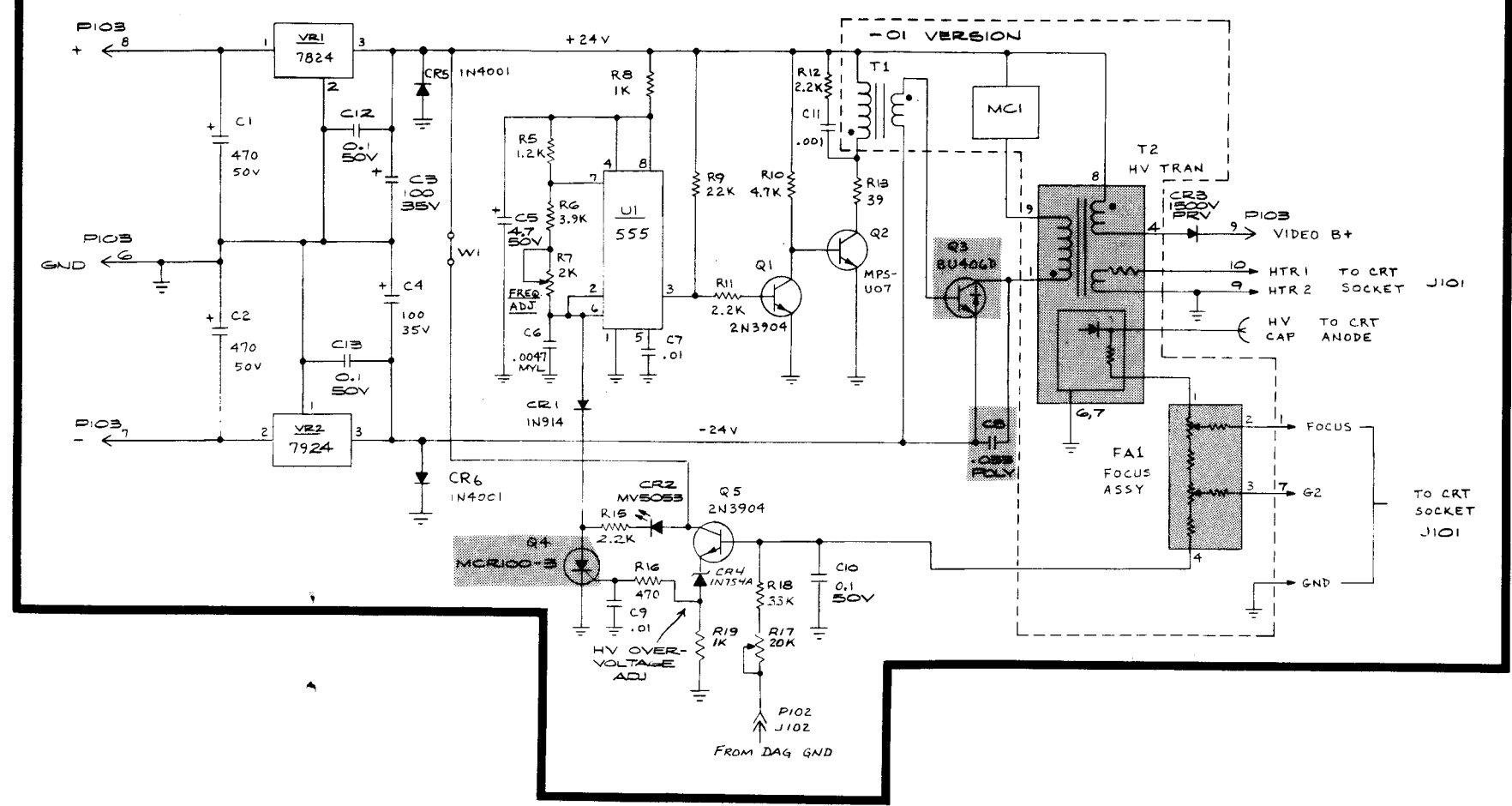
### Amplifone Color X-Y Display Schematic



# Amplifone Main Wiring Diagram



# Amplifone High-Voltage PCB



Note: Unless otherwise specified:  
 1. All resistor values are in ohms, 1/4 W, 5%  
 2. All capacitor values are in  $\mu$ F.

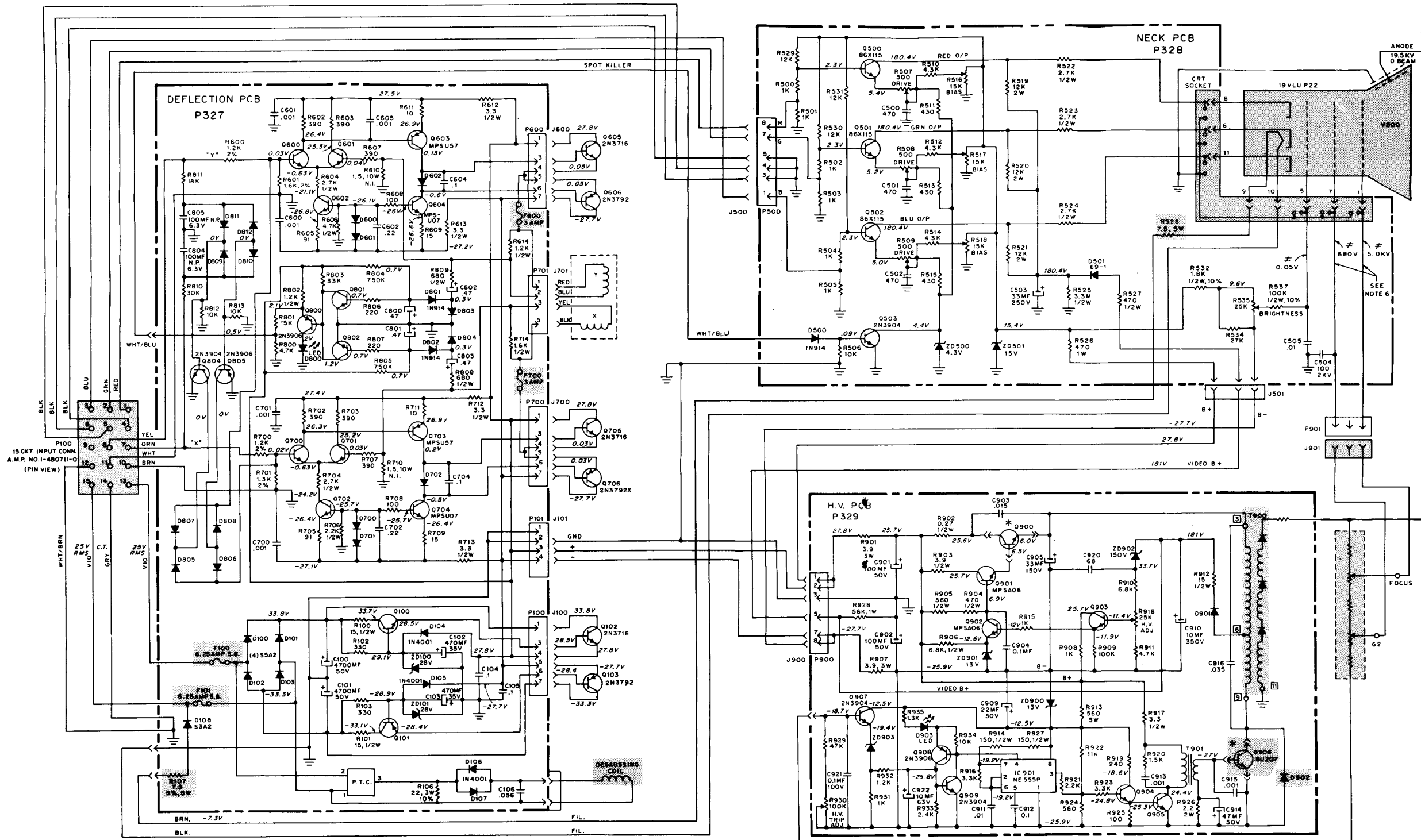
**WARNING**  
 Components identified by shading have special characteristics important to safety and must be replaced only with identical parts.

DESIGNATOR	
LAST USED	NOT USED
CR10	R1-4, 14
CR11	
CR12	
CR13	
CR14	
CR15	
CR16	
CR17	
CR18	
CR19	
CR20	
CR21	
CR22	
CR23	
CR24	
CR25	
CR26	
CR27	
CR28	
CR29	
CR30	
CR31	
CR32	
CR33	
CR34	
CR35	
CR36	
CR37	
CR38	
CR39	
CR40	
CR41	
CR42	
CR43	
CR44	
CR45	
CR46	
CR47	
CR48	
CR49	
CR50	
CR51	
CR52	
CR53	
CR54	
CR55	
CR56	
CR57	
CR58	
CR59	
CR60	
CR61	
CR62	
CR63	
CR64	
CR65	
CR66	
CR67	
CR68	
CR69	
CR70	
CR71	
CR72	
CR73	
CR74	
CR75	
CR76	
CR77	
CR78	
CR79	
CR80	
CR81	
CR82	
CR83	
CR84	
CR85	
CR86	
CR87	
CR88	
CR89	
CR90	
CR91	
CR92	
CR93	
CR94	
CR95	
CR96	
CR97	
CR98	
CR99	
CR100	

**ATARI**  
 Amplifone  
 Color X-Y Display Schematic

© ATARI INC., 1983  
 A Warner Communications Company

SP-234 Sheet 11B  
 1st printing



**GENERAL NOTES**

1. Resistance values in ohms, 1/4 watt, ± 5%, unless otherwise noted. K = 1,000, M = 1,000,000
2. Capacitance value of 1 or less is in microFarads, above 1 in picoFarads, unless otherwise noted.
3. \* Q900 and Q906 are not in High-Voltage PCB.
4. All D.C. voltages are ± 10% measured from point indicated to ground, using a high-impedance meter. Voltages are measured with no signal input and controls are in a normal operating position.
5. Circled numbers indicate location of waveform reading.
6. ZD100-101 uses (66X0040-007) zener diode in series with (340X2331-934) 330-ohm resistor in early production models.
7. Use a 1,000:1 probe when measuring G2 (screen) or focus voltage.



**Wells Gardner  
Color X-Y Display Schematic Diagram**

© ATARI INC., 1983  
A Warner Communications Company

SP-234 Sheet 12A  
1st printing