



**P.C. BOARD
VIDEO GAME SYSTEM
INSTALLATION INSTRUCTIONS**

MODEL 1US8

DE DATA EAST USA, INC.
470 Gianni Street, Santa Clara, CA 95050 U.S.A.
Telephone: (408) 727-4490 Toll Free: (800) 538-5129
Telex: 172163 DATA EAST SNTA

TABLE OF CONTENTS

PAGE 1	— GAME INSTRUCTIONS
PAGE 2	— DIP SWITCH SETTINGS
PAGE 3	— VOLUME CONTROL/DIP SWITCHES
PAGE 4	— CABINET PARTS BREAK DOWN — A
PAGE 5	— CABINET PARTS BREAK DOWN — B
PAGE 6	— CABINET PARTS BREAK DOWN — C
PAGE 7	— CONTROL PANEL PARTS
PAGE 8	— LIGHT PANEL PARTS
PAGE 9	— SWITCHING REGULATOR
PAGE 10	— MONITOR — WIRING DIAGRAM
PAGE 11	— MONITOR — NECK BOARD
PAGE 12	— MONITOR — NECK BOARD
PAGE 13	— MONITOR — MAIN BOARD
PAGE 14	— MONITOR — MAIN BOARD

PCB SCHEMATICS

WARNING

This equipment generates and uses radio frequency energy and if not installed and used properly, i.e., in strict accordance with the instructions manual, may cause harmful interference to radio communications. It has been tested and found to comply with the limits for a Class A computing device pursuant to Subpart J of Part 15 of FCC Rules, which are designed to provide reasonable protection against such interference when operated in a commercial environment.

Operation of this equipment in a residential area is likely to cause interference in which case the user at his own expense will be required to take whatever measures may be required to correct the interference.

GAME INSTRUCTIONS

- o USE JOYSTICK TO AVOID ENEMIES
- o PRESS RED BUTTON TO HURL BOOMERANGS
- o PRESS BLUE BUTTON TO MOUNT RIDERLESS
DINOSAURS FOR INCREASED FIREPOWER
- o BONUS POINTS FOR REACHING TREASURES

DIP SWITCH SETTINGS

DIP SWITCH 1-SYSTEM

Game Charge		1 coin 1 play	1 coin 2 plays	1 coin 3 plays	2 coins 1 play
SW 1	RIGHT HAND	OFF	ON	OFF	ON
SW 2	SELECTOR	OFF	OFF	ON	ON
SW 3	LEFT HAND	OFF	ON	OFF	ON
SW 4	SELECTOR	OFF	OFF	ON	ON
Special Purpose					
SW 5	MUST BE LEFT OFF	OFF			
SW 6		OFF			
Cocktail/Upright		CT	UP		
SW 7	CONTROL PANEL	OFF	ON		
SW 8		OFF	ON		

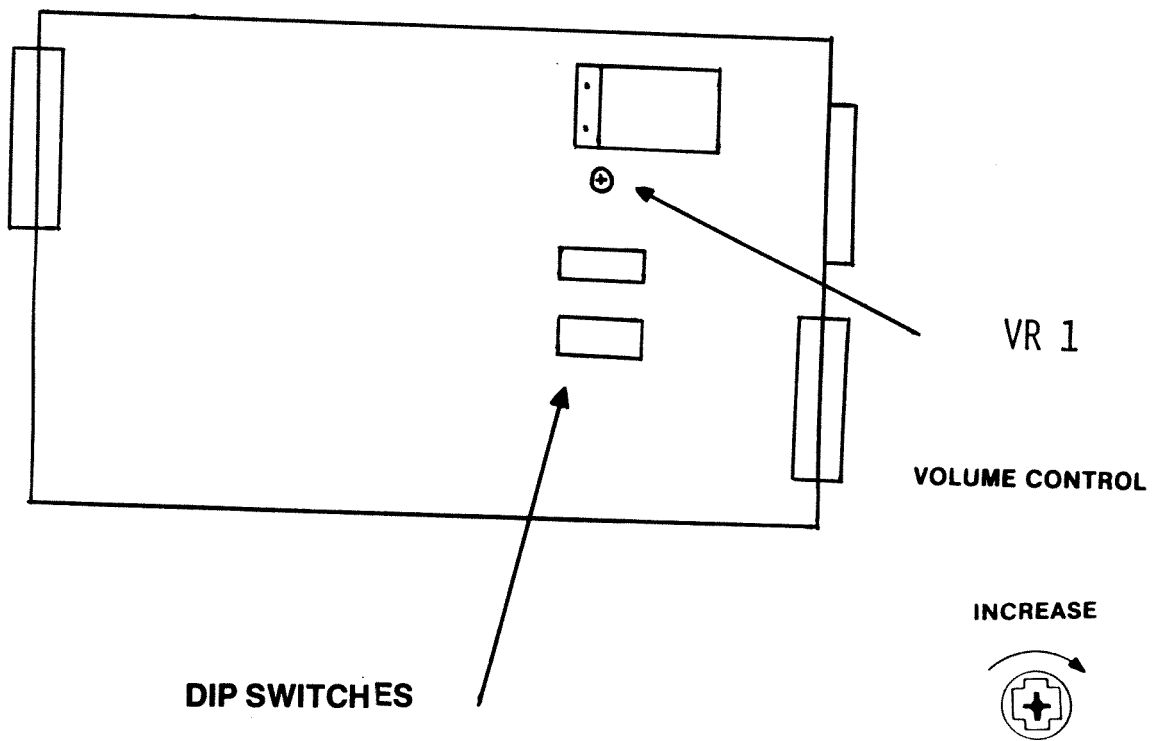
DIP SWITCH 2-GAME FEATURES

Number Of Credited		3	4	5	Unlimited Lives
SW 1		OFF	ON	OFF	ON
SW 2		OFF	OFF	ON	ON
Bonus Points		first 20,000 and every 40,000	30,000 50,000	50,000 70,000	20,000 once only —
SW 3	points required for bonus player	OFF	ON	OFF	ON
SW 4		OFF	OFF	ON	ON
Difficulty		easy	regular	difficult	very difficult
SW 5		OFF	ON	OFF	ON
SW 6		OFF	OFF	ON	ON
Attraction Mode Sound		NO		YES	
SW 7		OFF		ON	
Hit Check Of Boomer		YES		NO	
SW 8		OFF		ON	

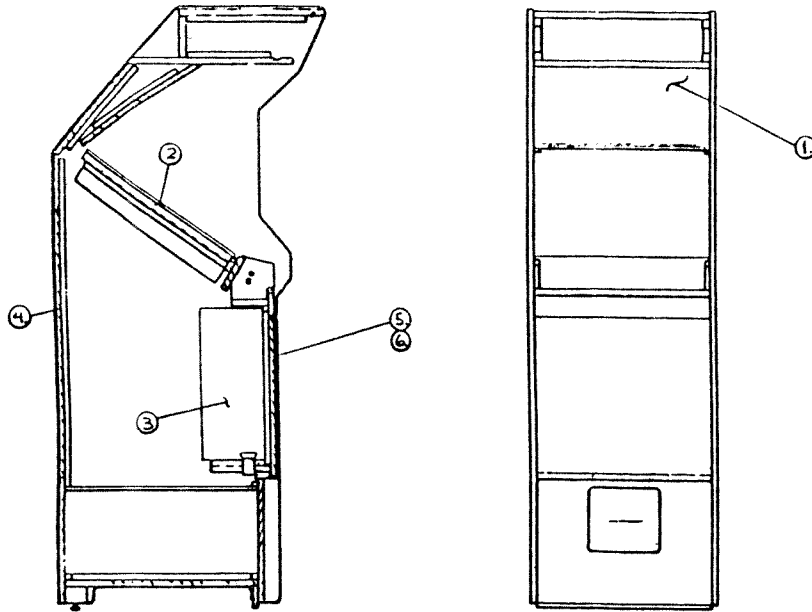
CAUTION

EMI SHIELD MUST BE SECURELY RE-INSTALLED AFTER PCB
SERVICING IN ORDER TO PROTECT AGAINST UNDESIRABLE
RADIO INTERFERENCE.

VOLUME CONTROL / DIP SWITCHES

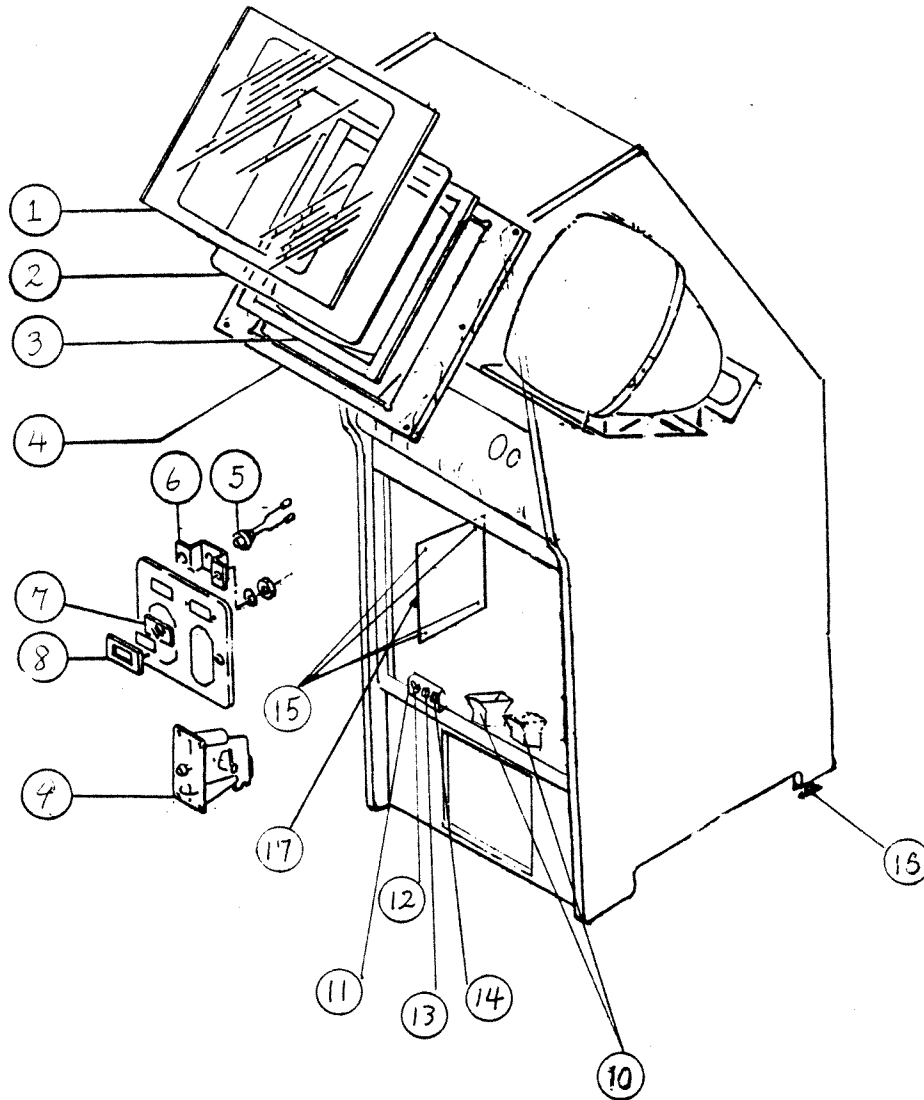


CABINET PARTS BREAK DOWN - A



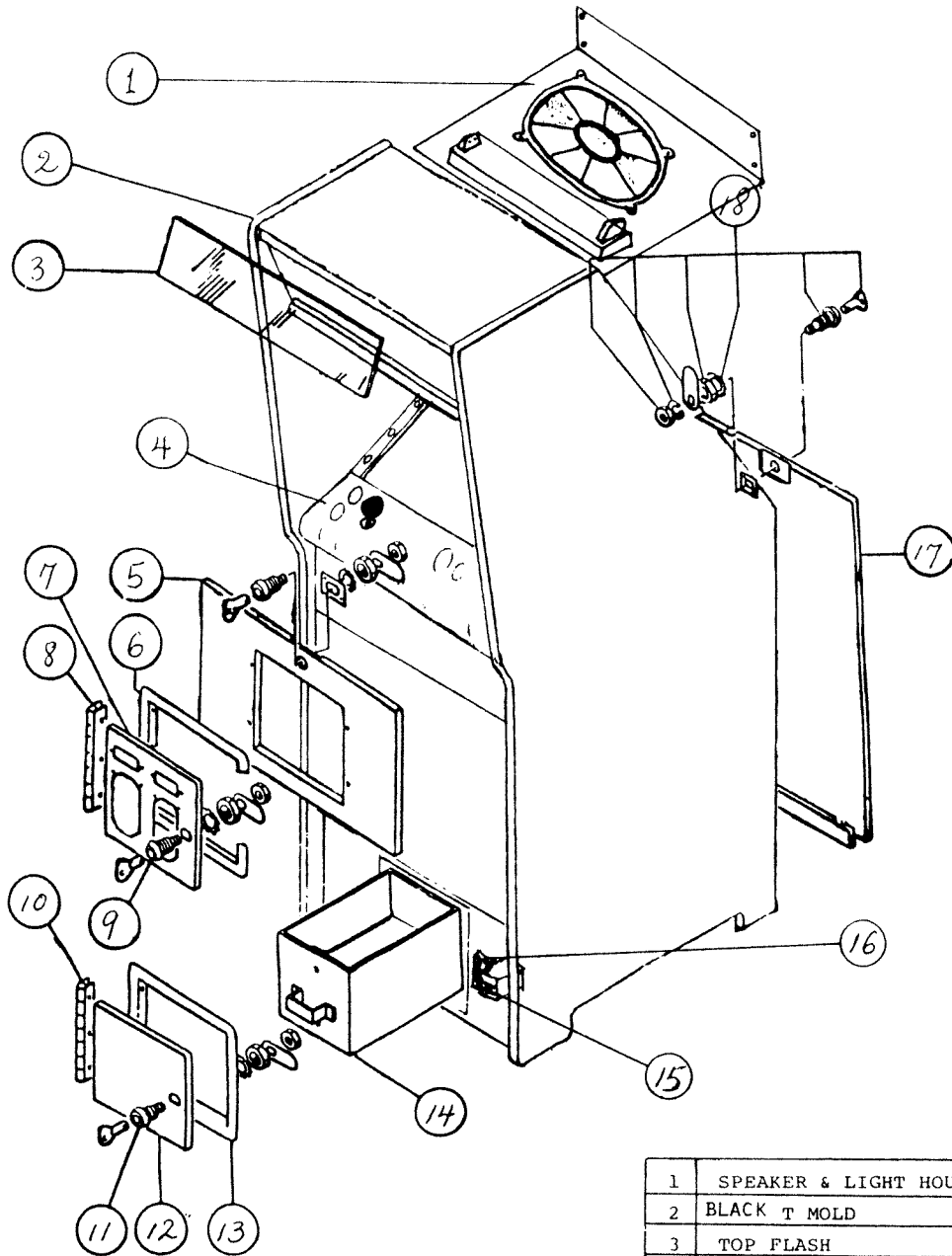
	CABINET 1-US-5-B	Q'TY
1	PRELIM CAB ASSY	1
2	BEZEL HOUSING	1
3	PC BOARD AND CAGE	1
4	BACK DOOR ASSY	1
5	FRONT PANEL DOOR ASSY	1
6	#8 x 5/8 PH SMS PHIL	1

CABINET PARTS BREAK DOWN - B



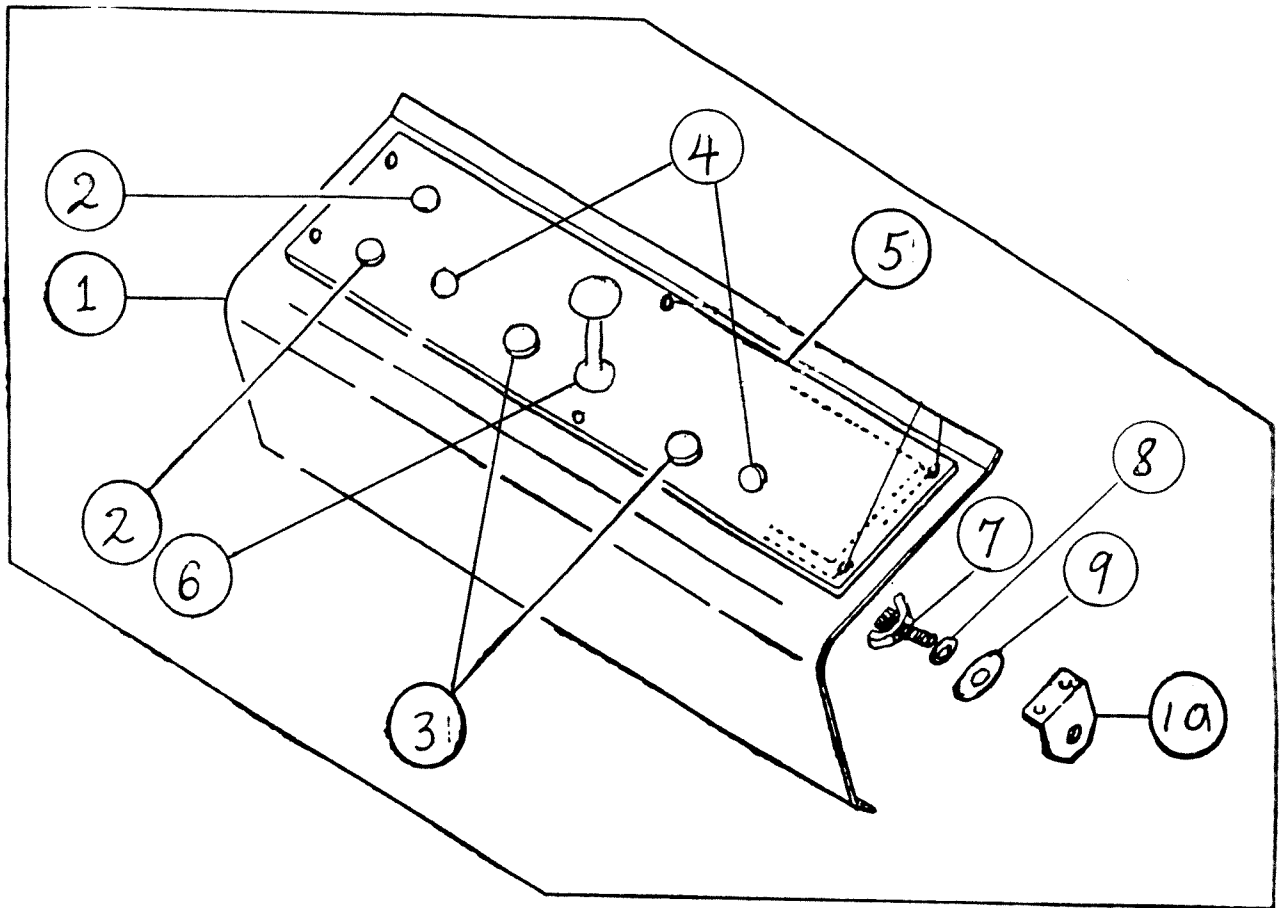
1	FACIAL PANEL	1
2	FILTER	1
3	ESCUTCHEON	1
4	MASKING PANEL	1
5	LIGHT BULB	2
6	LIGHT BRACKET	2
7	25¢ SEAL	2
8	SEAL FRAME	2
9	COIN ACCEPTOR	2
10	COIN FUNNEL	2
11	SWITCH BRACKET	1
12	POWER SWITCH	1
13	MAIN FUSE	1
14	DEMAGNETIZER SWITCH	1
15	PCB MOUNTING SCREWS	
16	LEVELER	2
17	PCB AND CAGE	1

CABINET PARTS BREAK DOWN - C



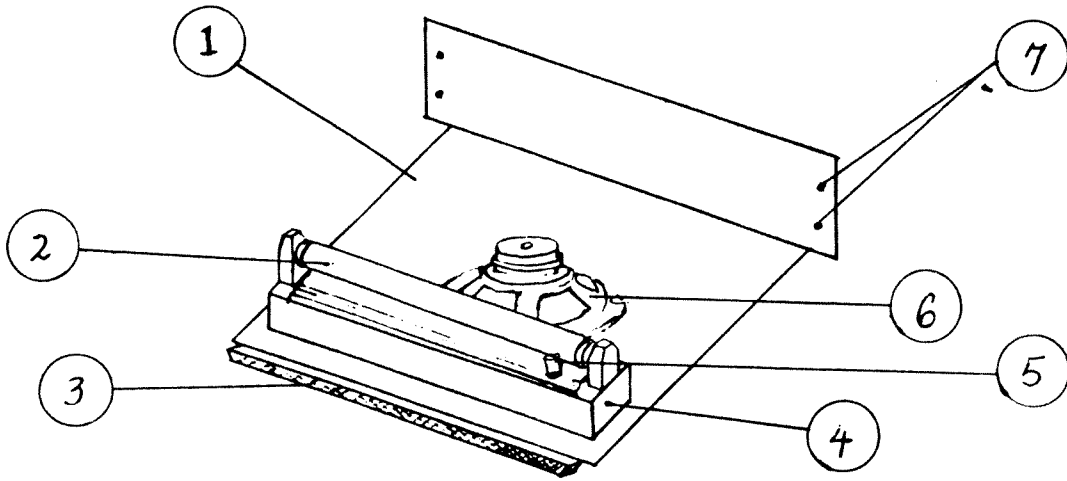
1	SPEAKER & LIGHT HOUSING ASS'Y	1
2	BLACK T MOLD	2
3	TOP FLASH	1
4	CONTROL PANEL ASS'Y	1
5	FRONT DOOR PANEL	1
6	COIN ACCEPTOR DOOR FRAME	1
7	ACCEPTOR DOOR	1
8	ACCEPTOR DOOR HINGE	1
9	ACCEPTOR DOOR LOCK	1
10	CASH BOX DOOR HINGE	1
11	CASH BOX LOCK	1
12	CASH BOX DOOR	1
13	CASH BOX DOOR FRAME	1
14	CASH BOX	1
15	COIN COUNTER	1
16	COIN COUNTER CIRCUIT BOARD	1
17	BACK DOOR	1
18	BACK DOOR LOCK	1

CONTROL PANEL

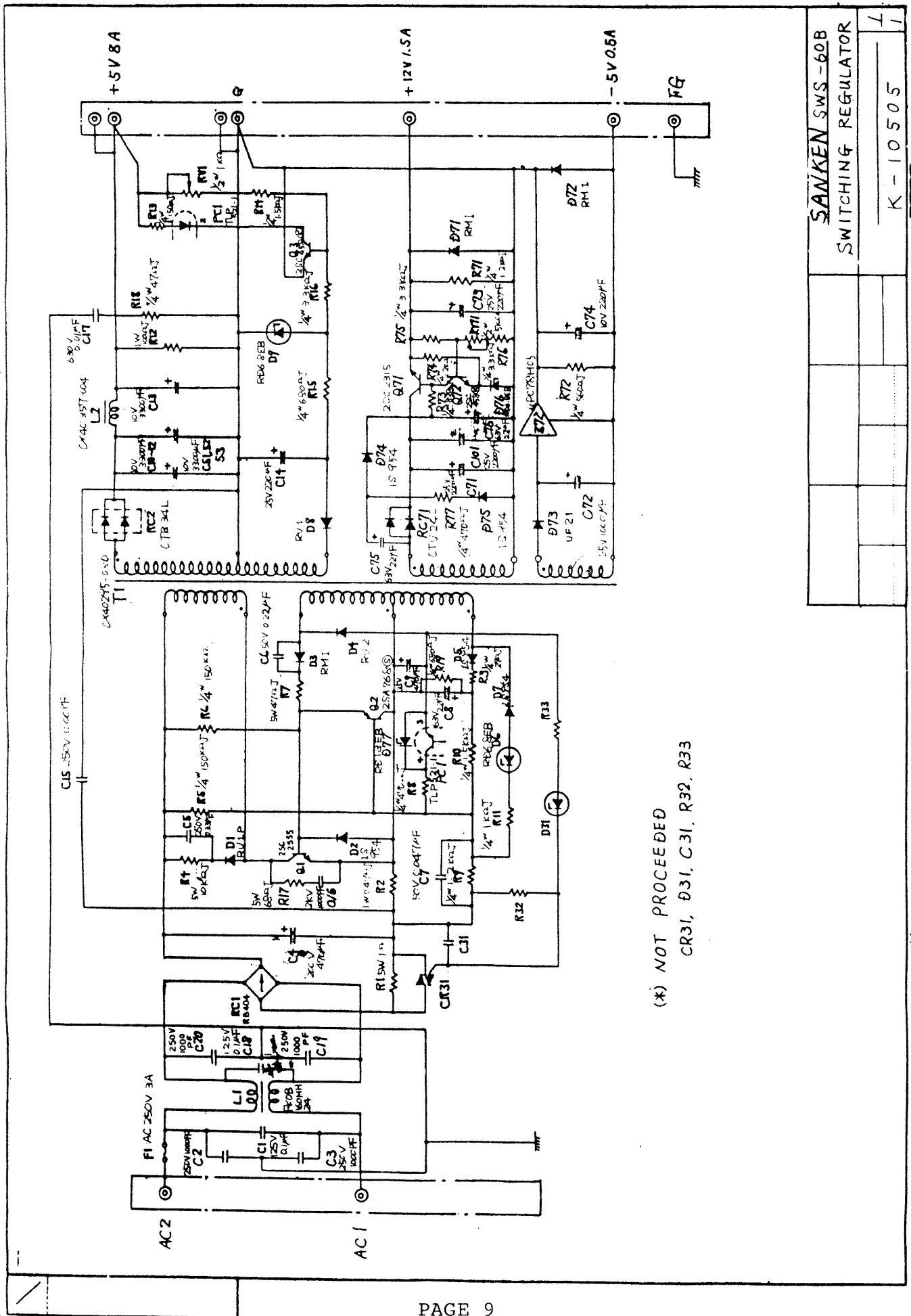


CONTROL PANEL ASSEMBLY FOR US-5		Q'TY
1	CONTROL PANEL CHASSIS	1
2	PLAYER I & II BUTTONS (YELLOW)	2
3	SHOOT BUTTON-I (RED)	1
4	SHOOT BUTTON-II (BLUE)	1
5	CONTROL PANEL OVERLAY	1
6	CONTROL LEVER ASS'Y	1
7	WING NUT	2
8	SPRING WASHER	2
9	LARGE WASHER	2
10	CONTROL PANEL INSTALLATION BRACKET	2

LIGHT PANEL



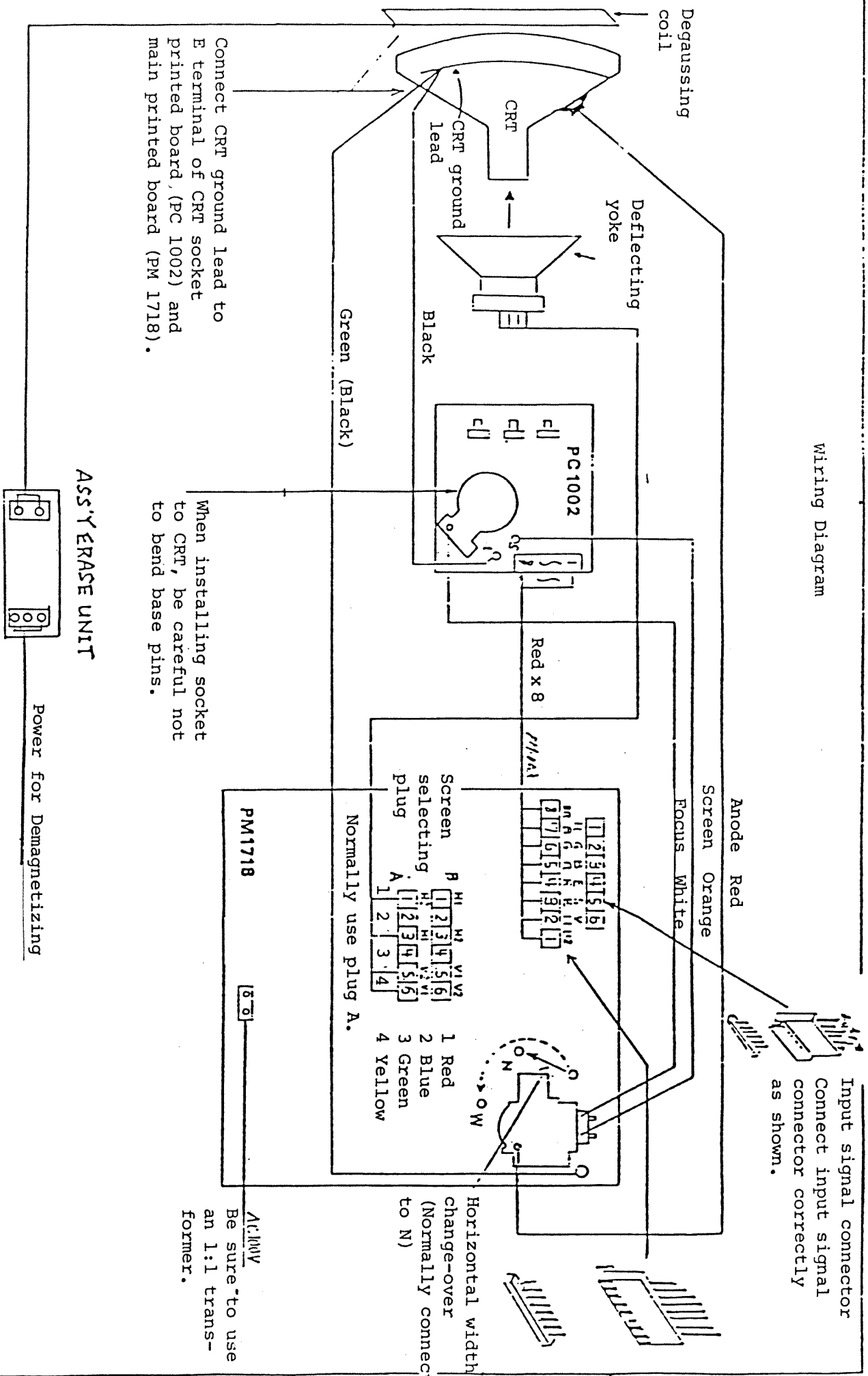
SPEAKER & LIGHT HOUSING ASSEMBLY		UK-01111
1	SPEAKER & LIGHT HOUSING CHASSIS	1
2	FL BULB	1
3	FOAM CUSHION	1
4	LIGHT FIXTURE	1
5	FL STARTER	1
6	SPEAKER	1
7	SCREWS	4



(*) NOT PROCEEDED
 CR31, D31, C31, R32, R33

SANKEN SWS-60B	
SWITCHING REGULATOR	
K-10505	1

Wiring Diagram



Input signal connector
Connect input signal
connector correctly
as shown.

Horizontal width
change-over
(Normally connect
to N)

AC:100V
Be sure to use
an 1:1 trans-
former.

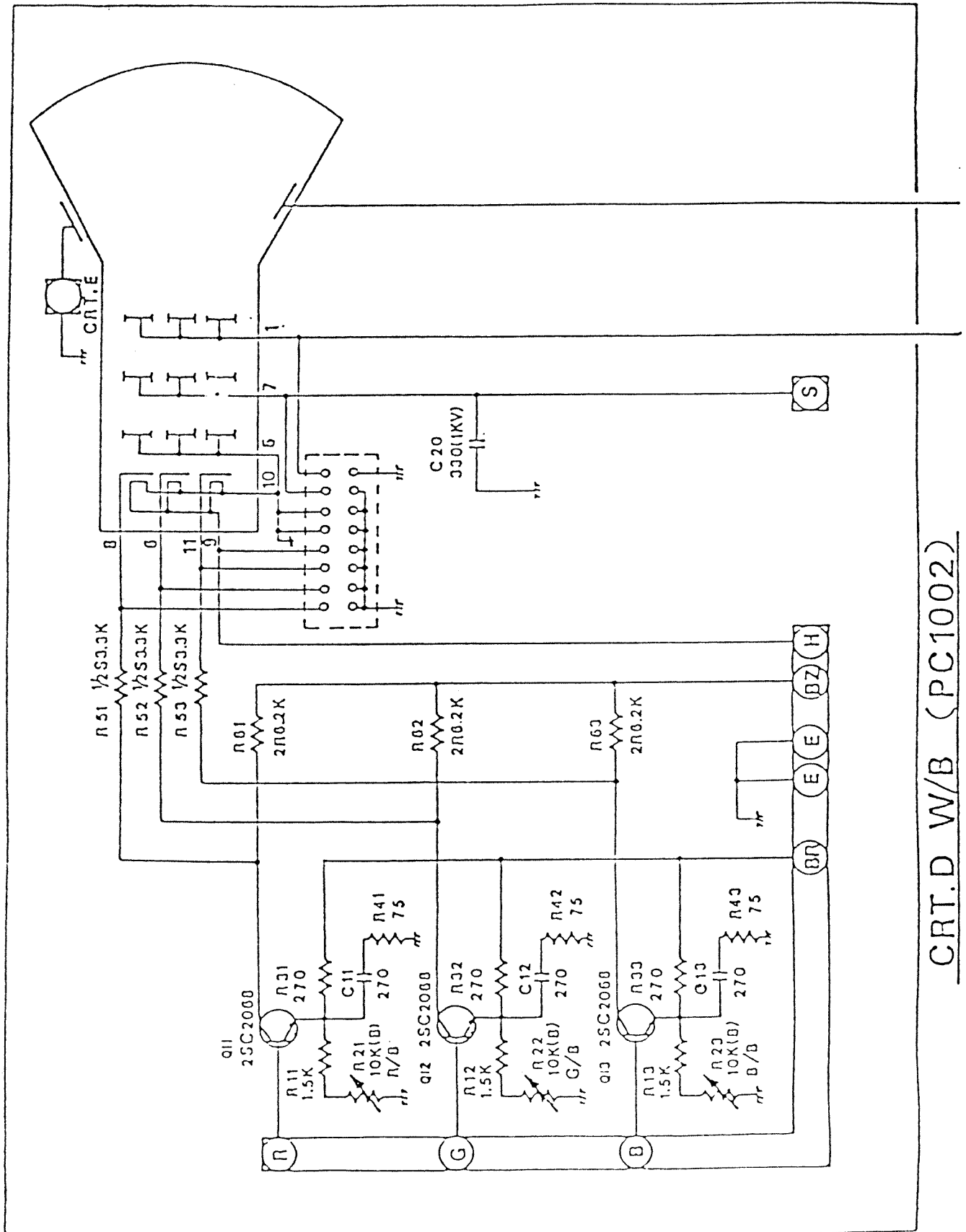
Connect CRT ground lead to
E terminal of CRT socket
printed board, (PC 1002) and
main printed board (PM 1718).

When installing socket
to CRT, be careful not
to bend base pins.

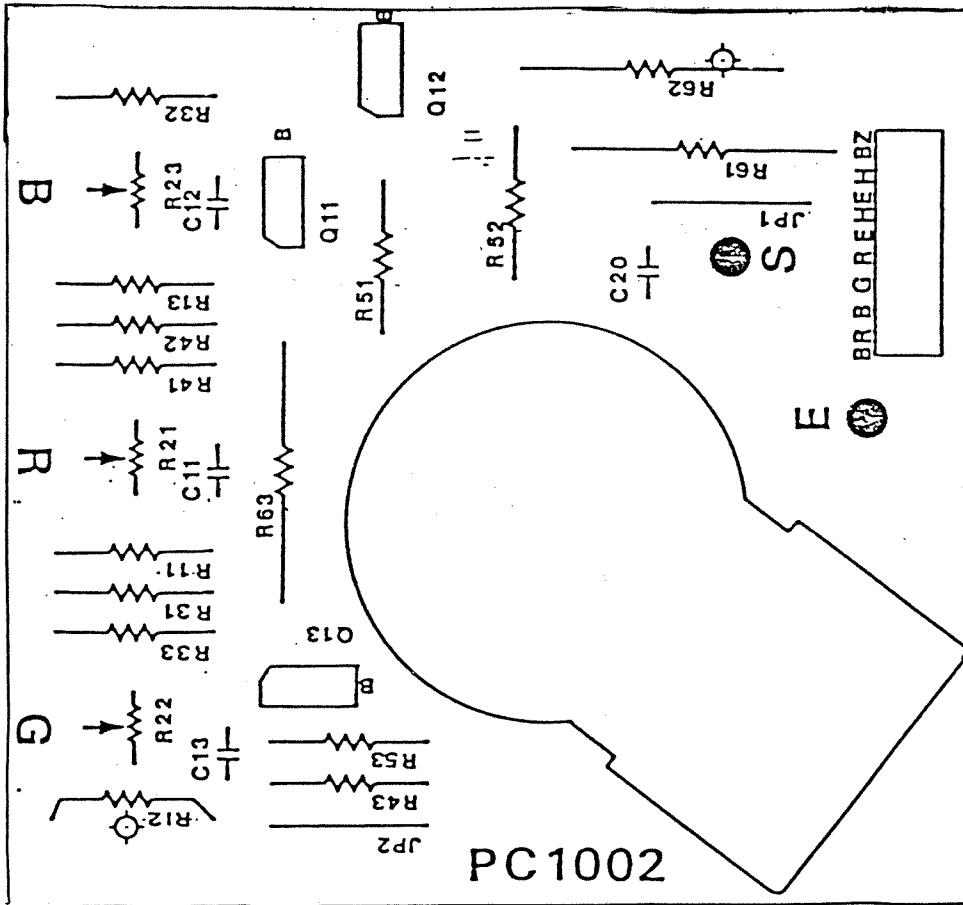
ASSY ERASE UNIT



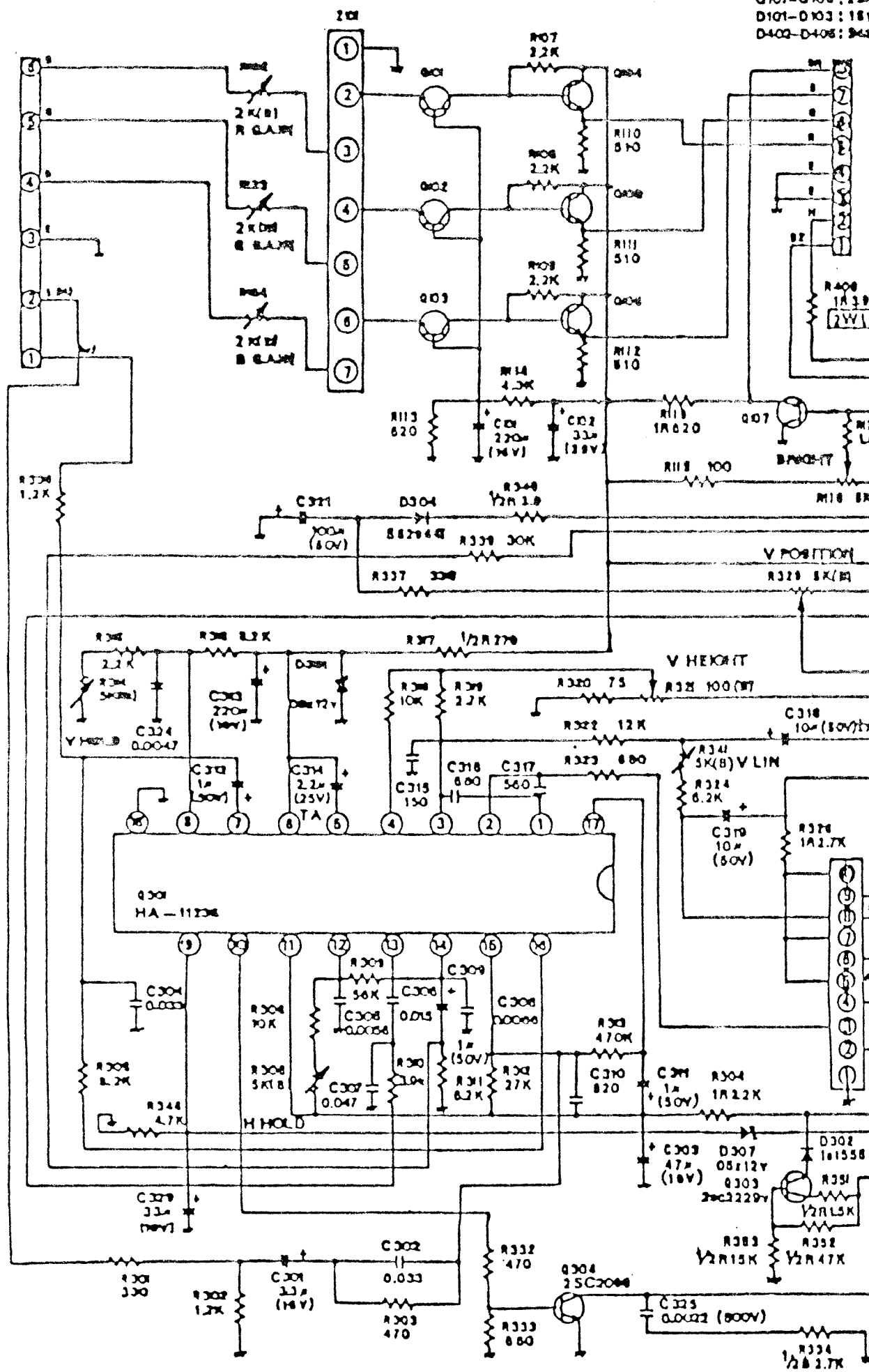
Power for Demagnetizing



CRT.D W/B (PC1002)



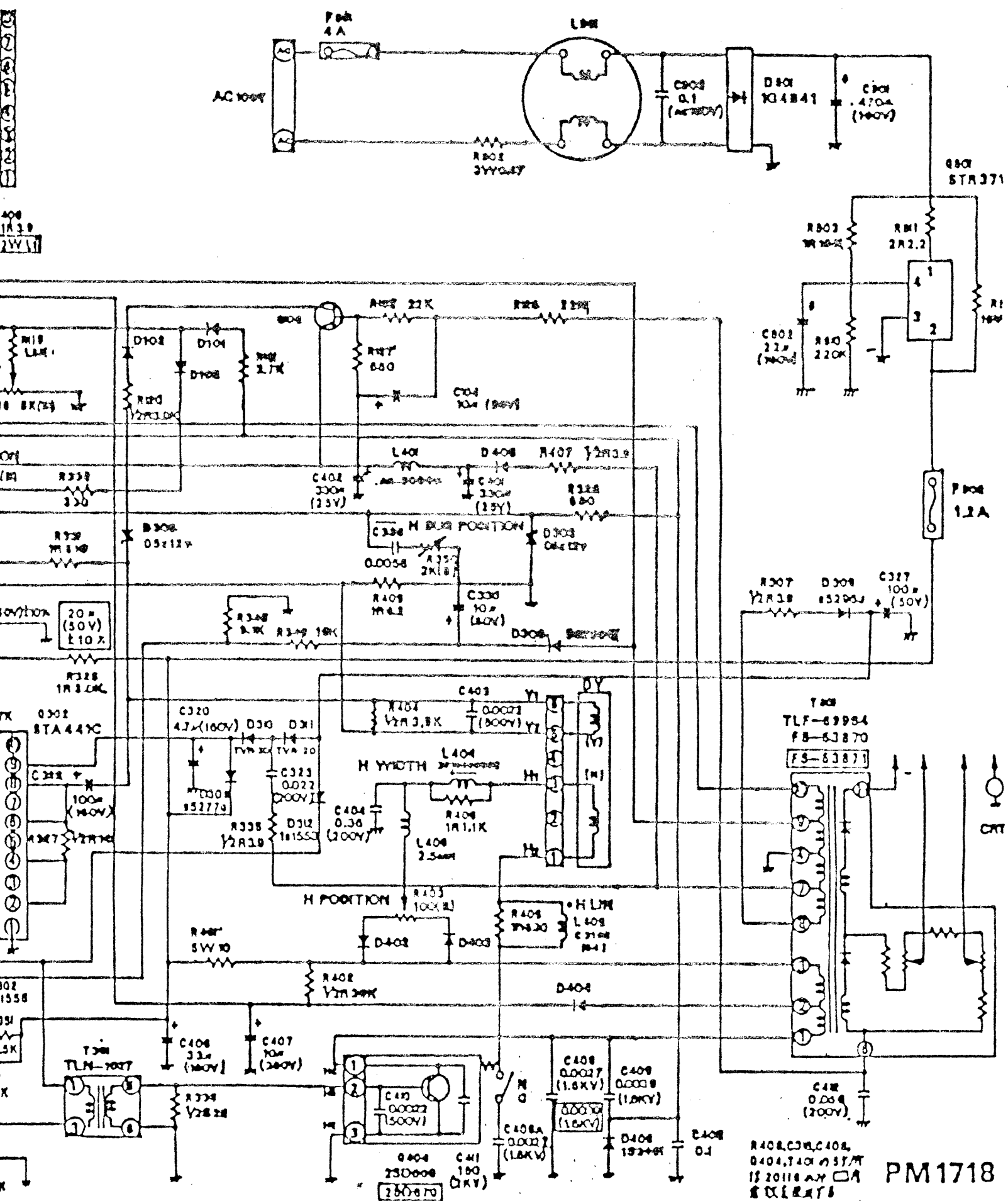
Q101-Q104: 28C
Q107-Q108: 28A
D101-D103: 181
D402-D405: 242



PAGE 13

1:28C1818:
 1:28A108:
 1:18188:
 1:84442:

408
 1A39
 2V11



R108,C001,C108,
 D404,T001,0517,
 1S 20118 AX CA
 8 22 18 17 8

PM1718

