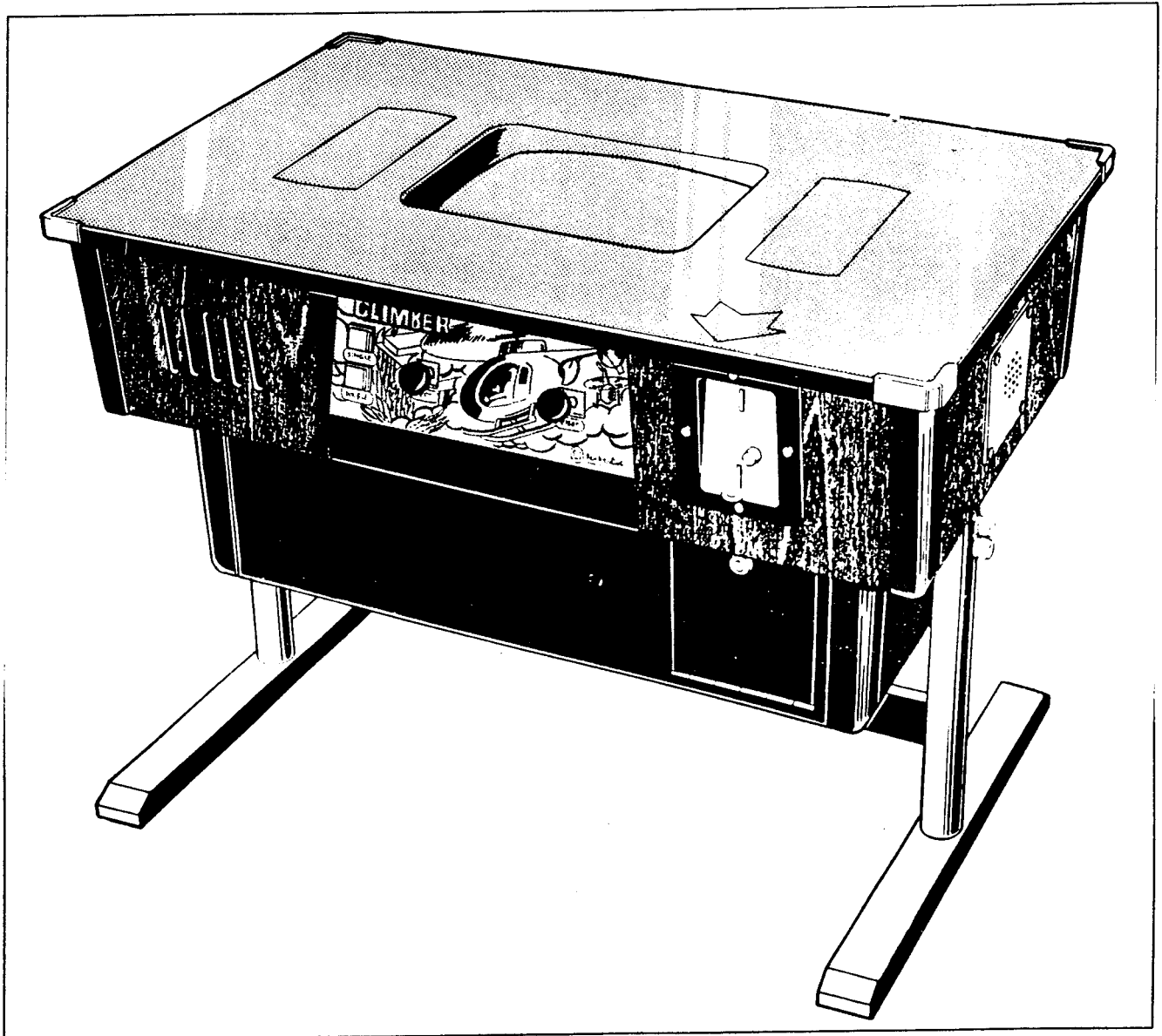


CRAZY CLIMBER

SERVICE INSTRUCTION



Nichibutoy

TABLE OF CONTENTS

GENERAL INFORMATION

1 Each Parts Name (Upright Model)	1
Each Parts Name (Table Model)	2
2 Specifications	3
3 Notes	3
4 How to Play	4

TECHNICAL INFORMATION

5 Operater Adjustments	5
6 Monitor Adjustments	6

PARTS LIST, ILLUSTRATIONS

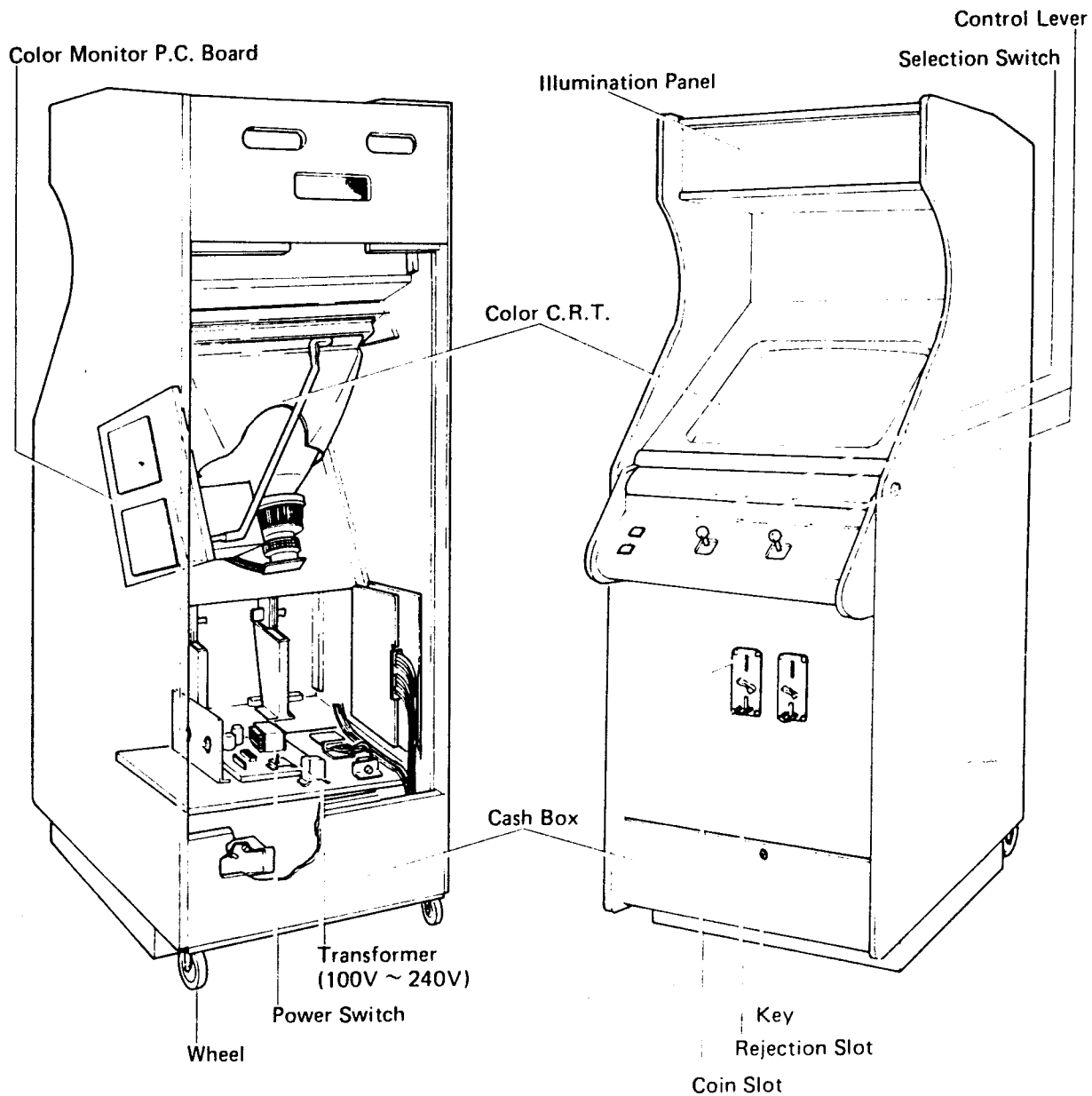
7 Exterior Assembly	7, 8
8 Video Assembly	9, 10
9 Control Plate Assembly	11, 12
10 Printed Board Assembly	13, 14

SCHEMATICS, WIRING FIGURES

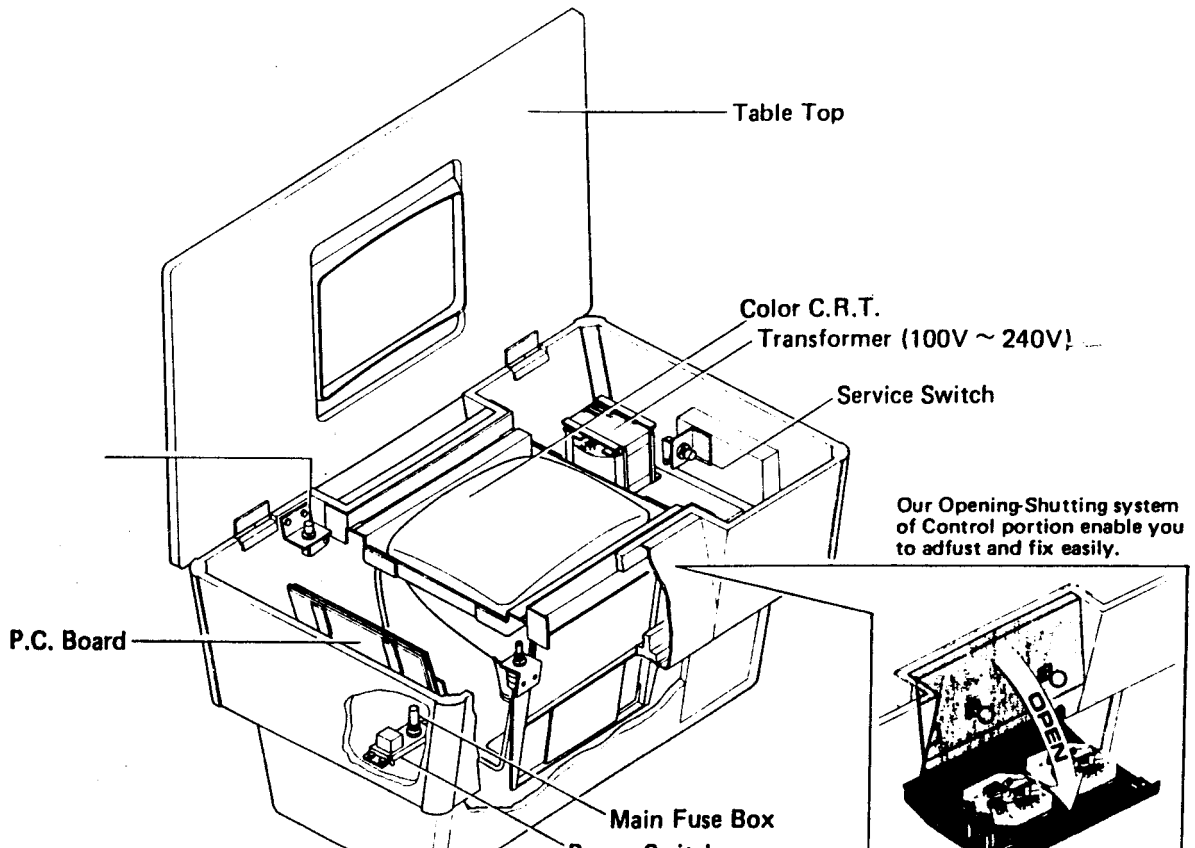
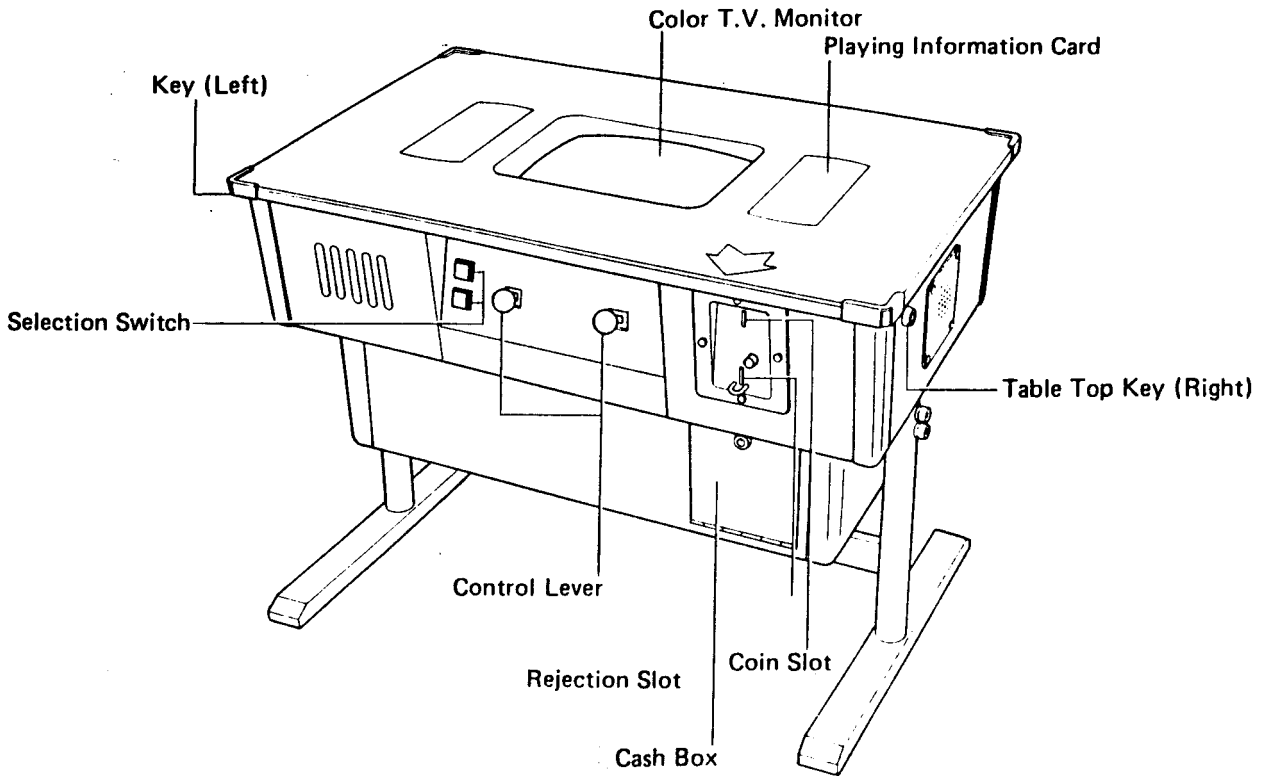
Schematic Block Diagram	17
Schematic Monitor P.C.B.	18
Schematic C14C-5090	19
Schematic CCG-1	20
Schematic CCG-2	21
Schematic CC-5	22
Wiring Figure C-476	23

1

EACH PARTS NAME (UPRIGHT MODEL)



EACH PARTS NAME (TABLE MODEL)



2

SPECIFICATIONS

POWER SOURCE	: 100 ~ 240V (Variable)
WATT CONSUMPTION	: 90W
COINAGE	: 1 coin per play, 2 coins per play, 3 coins per play, 4 coins per play * OPTION (Selector 2)
	: 1 coin per play, 1 coin per 2 plays, 1 coin per 3 plays
PLAYER	: 1 or 2 players
GAME LIMIT	: 3 Climber ~ 6 Climber
KEYS	: Table keys 2 sets Cash box key 1 set
FUSE RATINGS	: 2 at 5A, 1 at 3A

		Width	Depth	Height	Weight
TABLE MODEL	BODY with LEGS	850 m/m	545 m/m	635m/m ~ 735m/m (5 position adjustable)	55 kg
	CASH BOX	125 m/m	285 m/m	155 m/m	
UPRIGHT MODEL	BODY	585 m/m	800 m/m	1,700 m/m	95 kg
	CASH BOX	265 m/m	390 m/m	200 m/m	

- These instructions and specifications may be changed without prior notification.
- If this machine is reconstructed without our permission, we can not take responsibility for the machine.

3

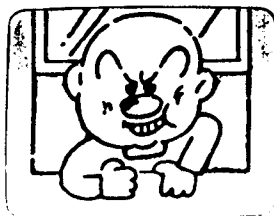
NOTES

- The CRAZY CLIMBER has a T.V. monitor and care must be taken in moving this fragile machine.
- To prevent the cabinet over-heating do not place the CRAZY CLIMBER directly in the sun or near heating.
- For a short time after connecting to power, the picture may be temporarily distorted.
- Do not check the solid state module with a TESTER even if you find our there is something wrong with it. The IC may be destroyed by the voltage of a TESTER.
- Disconnect the power supply before inserting or removing the P.C. board.

EXCITING ADVENTURE GAME THAT MAKES CHALLENGER BURN WITH COMBATIVENESS.

From windows, antagonists and condors drop small things (flowerpots, eggs, empty bottles) and moreover falling steel girders, signboards and powerful punch of King Kong, etc. A succession of breaking into a cold sweat for disturbance and obstruction. When you hold windows firmly with your both hands, you won't fall by hitting small things on you, but you will be given a demerit mark. When you are disturbed your way or rest, somebody says "Come on!" to cheer you up. In this case, you will be also given a demerit mark. Climb up to the rooftop avoiding monster and obstacles attacking you! Come now, challenge Nichibutsu's adventurous game "Crazy Climber" and conquer a super high building.

- Play with One or Two players
- Insert coin
- Select 1 or 2 players button



1) **ANTAGONIST**
A bad man who drops things from the windows.



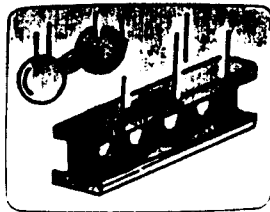
2) **MANY DROPPING THINGS**
Dangerous objects that Antagonist drops.



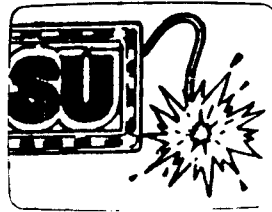
3) **THE CONDOR**
She drops eggs and excrements.



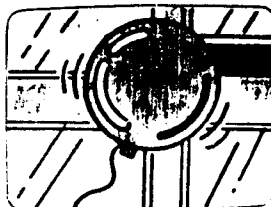
4) **KING KONG**
Deftly dodge the powerful punch of King Kong!



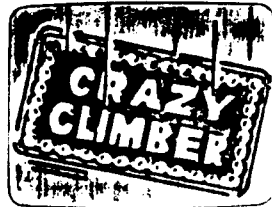
5) **STEEL GIRDEES AND IRON DUMBBELLS.**
Deadly dropping things. Avoid them!



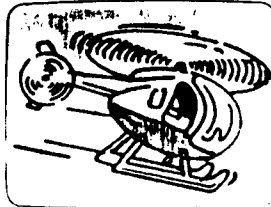
6) **ELECTRIC SIGNBOARDS**
Be careful for a cut high-tension wire. Don't receive an electric shock.



7) **LUCKY BALLOON**
Succeed in holding on to the balloon and go up.



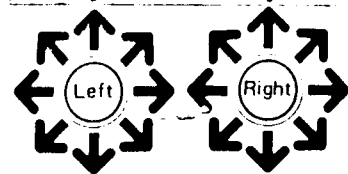
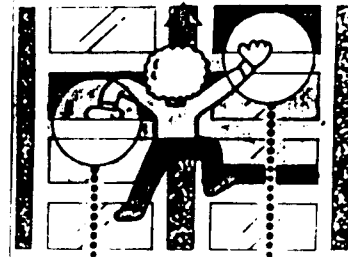
8) **COMING OFF SIGNBOARDS**
Fall with a big sound.



9) **THE HELICOPTER**
Your adventure is over as you are whisked away in the waiting helicopter.

GRIP POINT

You have to climb through the opening windows and when you come to the closing windows, hold firmly with your both hands and put the control lever to the left and right to the opening and closing windows.



Eight Directions

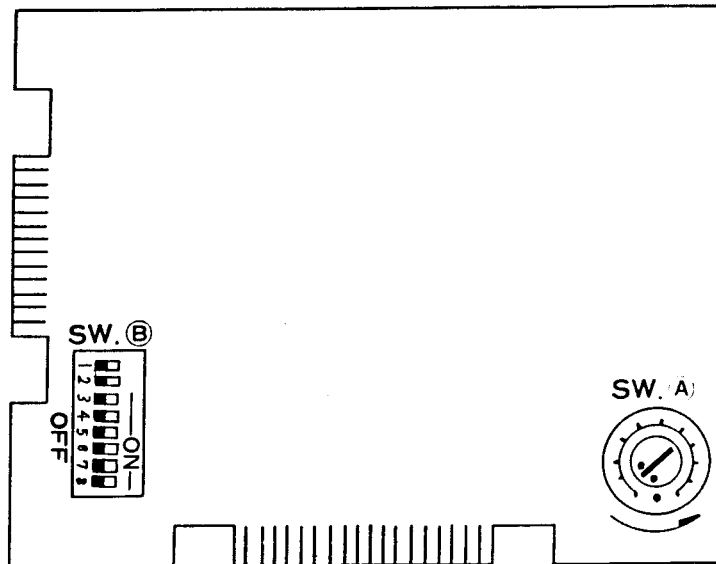
(The control levers are climber's arms.)

5

OPERATER ADJUSTMENTS

● SW.

V.R. for the adjustment of sound volume. It will become smaller in turning it to the arrowmark.



● SW.

	DIP SW.								CONTENTS	
	1	2	3	4	5	6	7	8		
NUMBER OF CLIMBER	<u>OFF</u> OFF ON OFF	<u>OFF</u> OFF ON OFF								3 CLIMBER 4 CLIMBER 5 CLIMBER 6 CLIMBER
ADDITIONAL CLIMBER SCORE SWITCHING			<u>OFF</u> ON							30,000 POINT 50,000 POINT
PATTERN TEST				ON						PATTERN TEST
COIN SELECTOR 1 COINAGE					<u>OFF</u> OFF ON OFF	<u>OFF</u> OFF ON OFF				COIN SELECTOR-1 1 COIN-1 PLAY 2 COIN-1 PLAY 3 COIN-1 PLAY 4 COIN-1 PLAY
COIN SELECTOR 2 COINAGE							OFF OFF ON OFF OFF ON			COIN SELECTOR-2 1 COIN-1 PLAY 1 COIN-2 PLAY 1 COIN-3 PLAY
FREE PLAY							ON ON			FREE PLAY

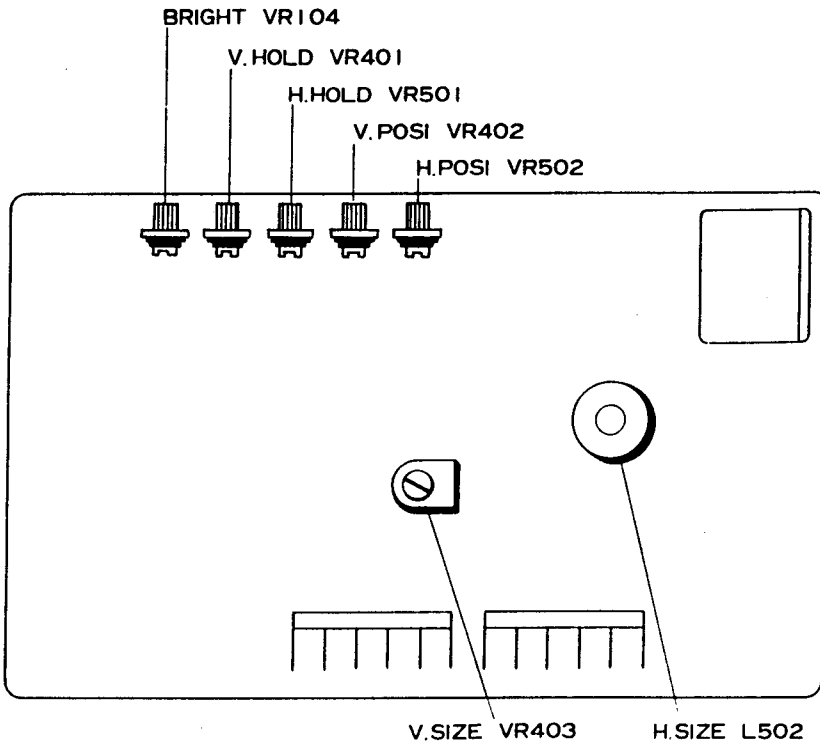
- Switch adjustment have to be done after disconnect the power supply.
- Switches are set as under-lined position when the machine is shipped.

CRAZY CLIMBER

6 MONITOR ADJUSTMENTS

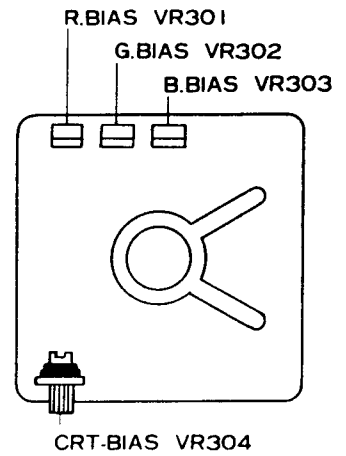
MITSUBISHI COLOR MONITOR

● MAIN-PWB (Weight about 430g)



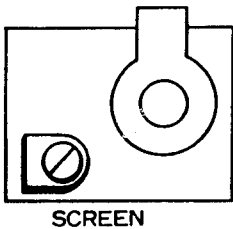
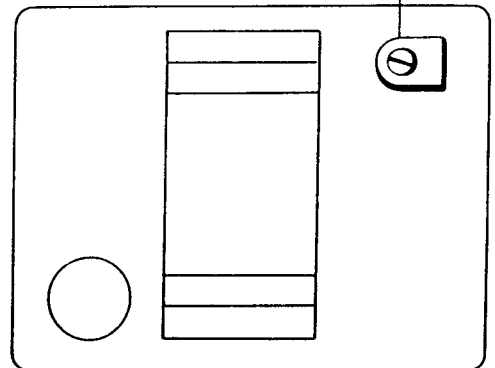
● PWB-CRT

(Weight about 120g)

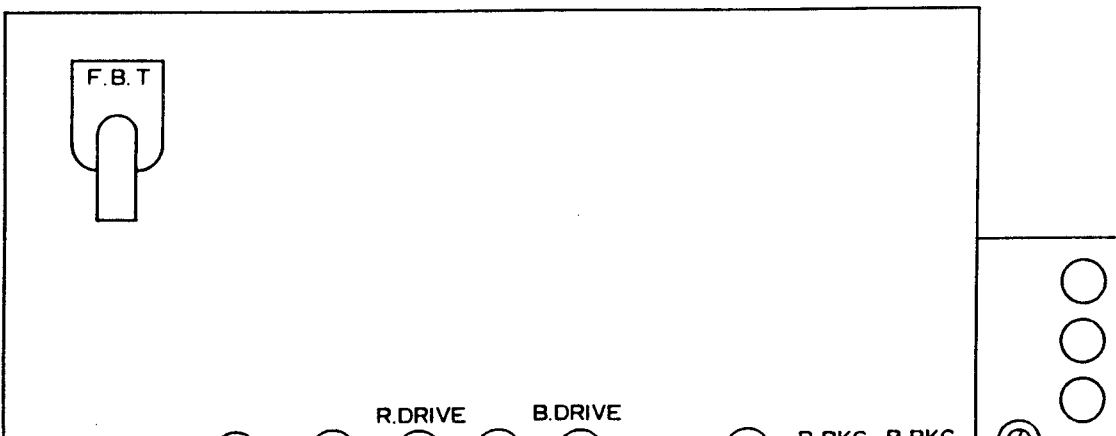


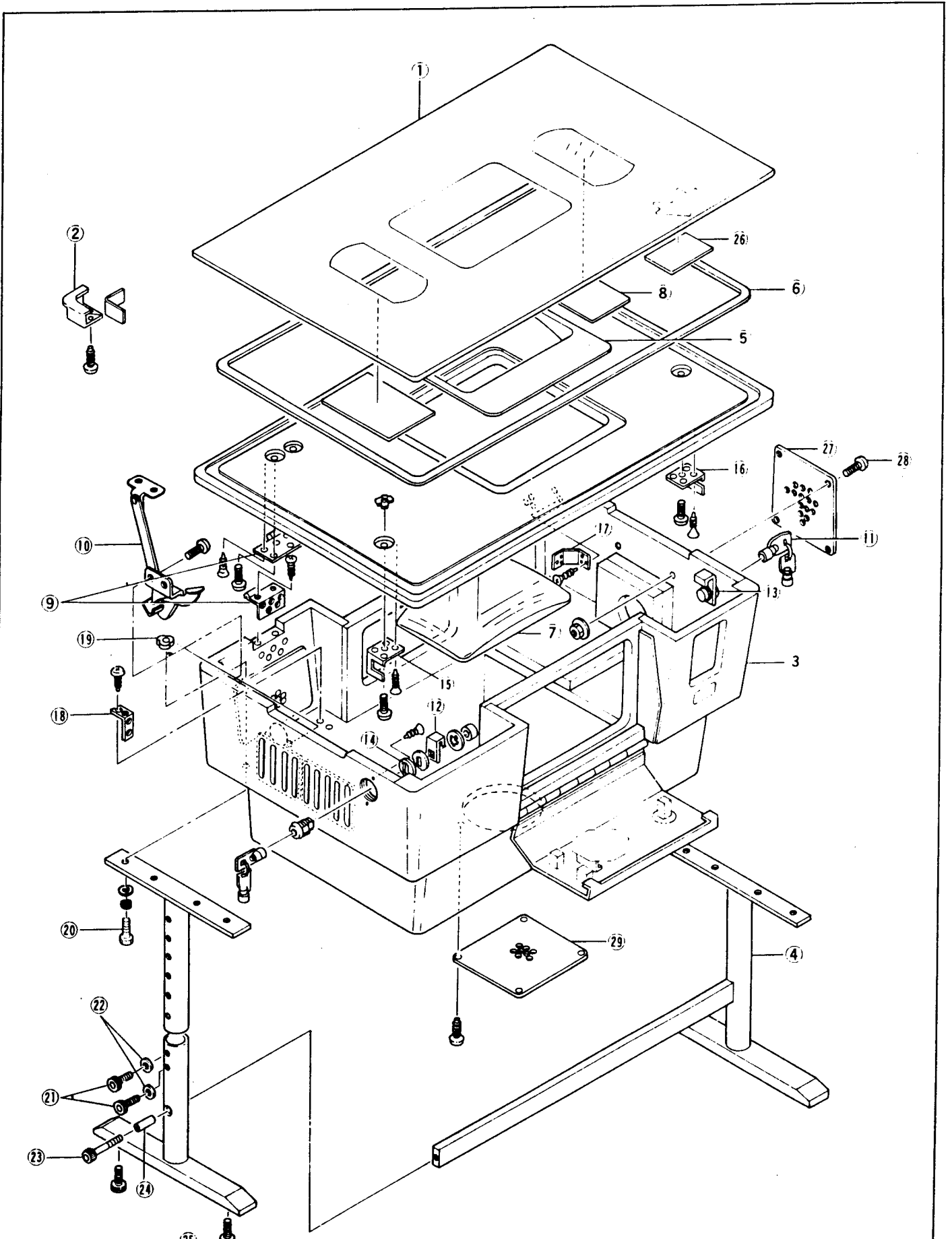
● POWER-PWB (Weight about 250g)

VOLT.ADJ VR901



HITACHI COLOR MONITOR





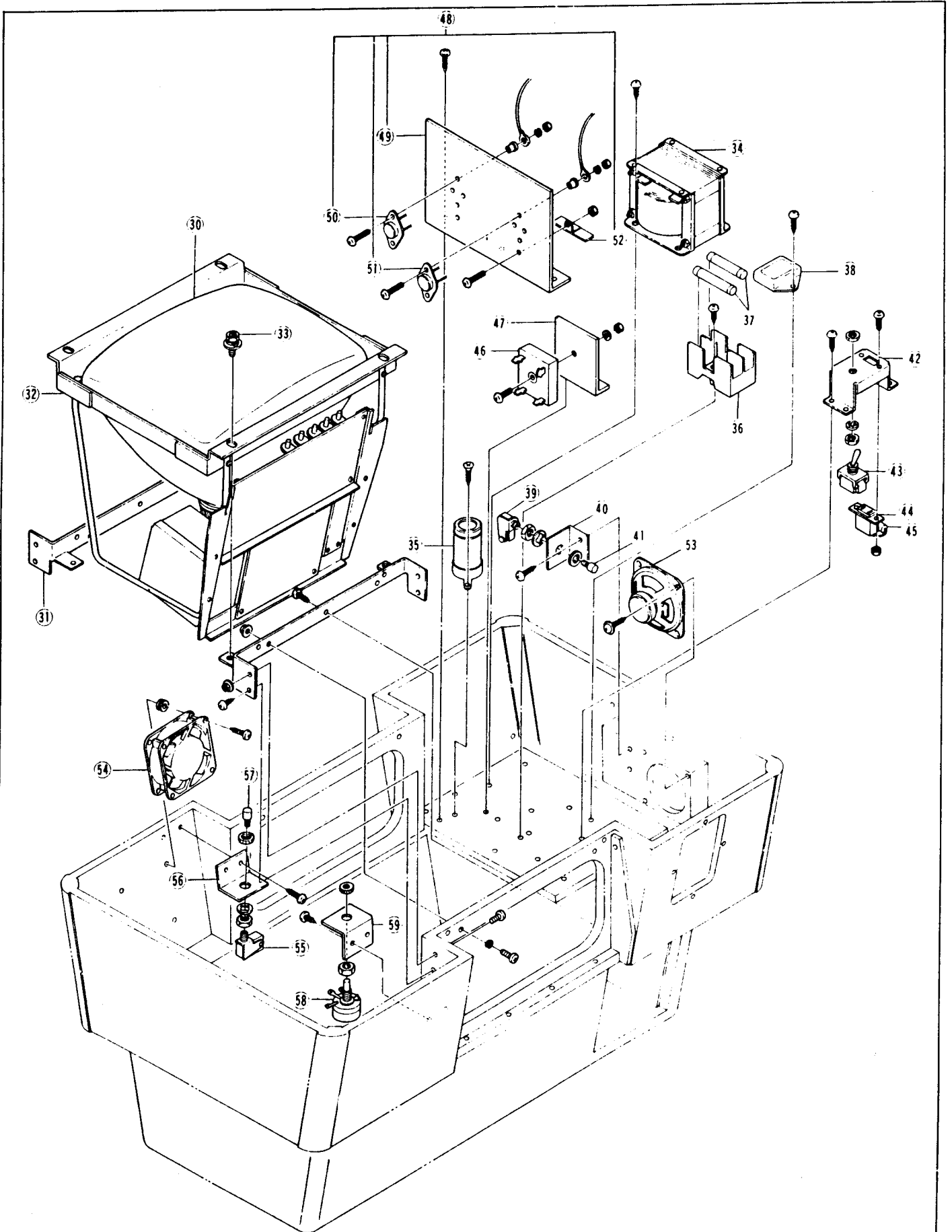
CRAZY CLIMBER

7

EXTERIOR ASSEMBLY

NO.	PARTS NO.	DESCRIPTION	UNIT PRICE (YEN)
1	CC70001	Table Top Glass	13,000
2	7A50002	Carner Braket	900
3	CC70002	Table Cabinet	36,000
4	CC70003	Table Leg	18,000
5	CC70004	TV. Mask	1,900
6	CC70005	Table Frame Rubber	600
7	TA50015-1	Smoked plate	1,500
8	CC70006	Playing Information Card	300
9	7A50004	Hinge (L. R)	730
10	CC70007	Stay	1,200
11	CC70008	Key Set	1,800
12	CC70009L	Key Lock Bracket (Left)	250
13	CC70009R	Key Lock Bracket (Right)	250
14	PC50081	Key Metal Fittings	100
15	TA50018L	Key Lock	360
16	BP10004R	Key Lock	360
17	TA50047	Corner Metal Fittings	120
18	TA50048	Build Metal Fittings	100
19	TA50092	Claw Nut (5mm)	40
20	TA50054	Six-angle Bolt	40
21	TA50055	Cap Bolt (Small)	100
22	TA50055-1	Cap Washer	50
23	TA50056	Cap Bolt (Big)	150
24	CC70010	Cap pipe	80
25	CC70011	Leg Bottom Bolt	150
26	CC70012	"Insert Coin" Label	150
27	TA50023	Speaker Cover	900
28	PC50022	Ornament Speaker Bolt	20
29	AL20003A	C.R.T Bottom Cover	600

* EX-Godown our office in Japanese YEN.

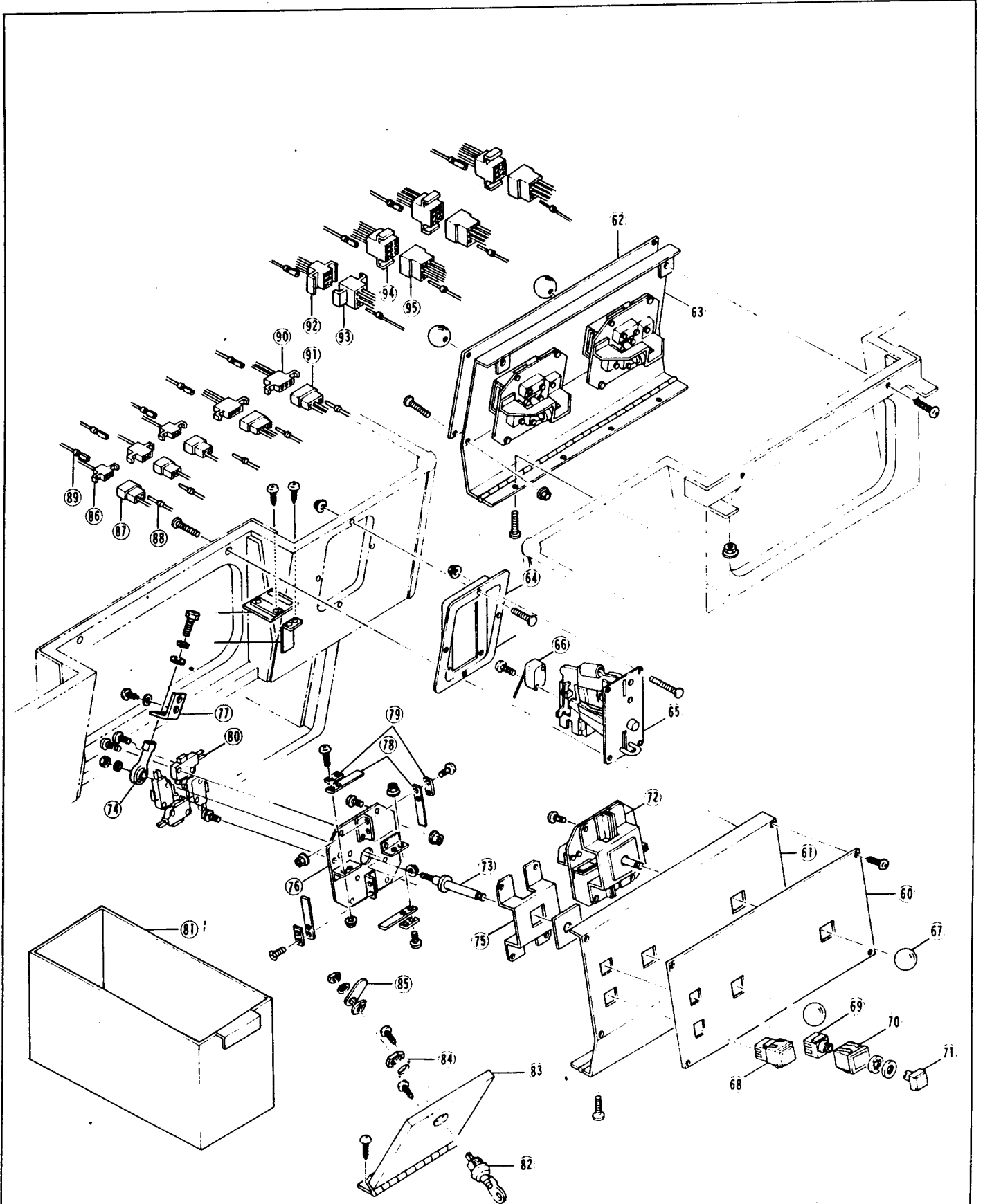


CRAZY CLIMBER

8 VIDEO ASSEMBLY

NO.	PARTS NO.	DESCRIPTION	UNIT PRICE (YEN)
30	AL20004	Color Monitor Assy	129,000
31	CC70013	C.R.T. Support Bracket	1,100
32	CC70014	C.R.T. Metal Bracket	3,900
33	CC70015	C.R.T. Bracket Screw	30
34	AL20026	Transformer	10,000
35	MB20011	Electrolysis capacitor (22,000 μ F)	1,500
36	TA50033	Fuse Holder	280
37	PC50052	Fuse (5A)	60
38	TA50036	Noise Filter	4,000
39	TA50026	Service Switch	800
40	BP10011	Service Switch Bracket	140
41	BP50028A	Service Switch Button	100
42	BP10014	Service Outlet Bracket	640
43	BP10017	Power Source Change Switch	570
44	BP10015	A.C. Service Socket	200
45	BP10016	Oil Capacitor	200
46	MB20009	Rectifier	1,200
47	MB20010	Rectifier Fin	300
48	CC70016	Power Voltage Regulator Assy	6,500
49	CC70017	Regulator Fin	1,700
50	CC70018	Transistor (2SA807)	900
51	TA50047	Regulator (S1-3554M)	3,200
52	TA50048	Cement Resistor Assy	400
53	TA50020	Speaker	1,500
54	MB20012	Fan	7,500
55	TA50026	Service Switch	800
56	CC70019	Service Switch Bracket	140
57	BP50028A	Service Switch Button	100
58	CC70020	Sound Volume	900
59	CC70019	Sound Volume Bracket	140

* EX-Godown our office in Japanese YEN.

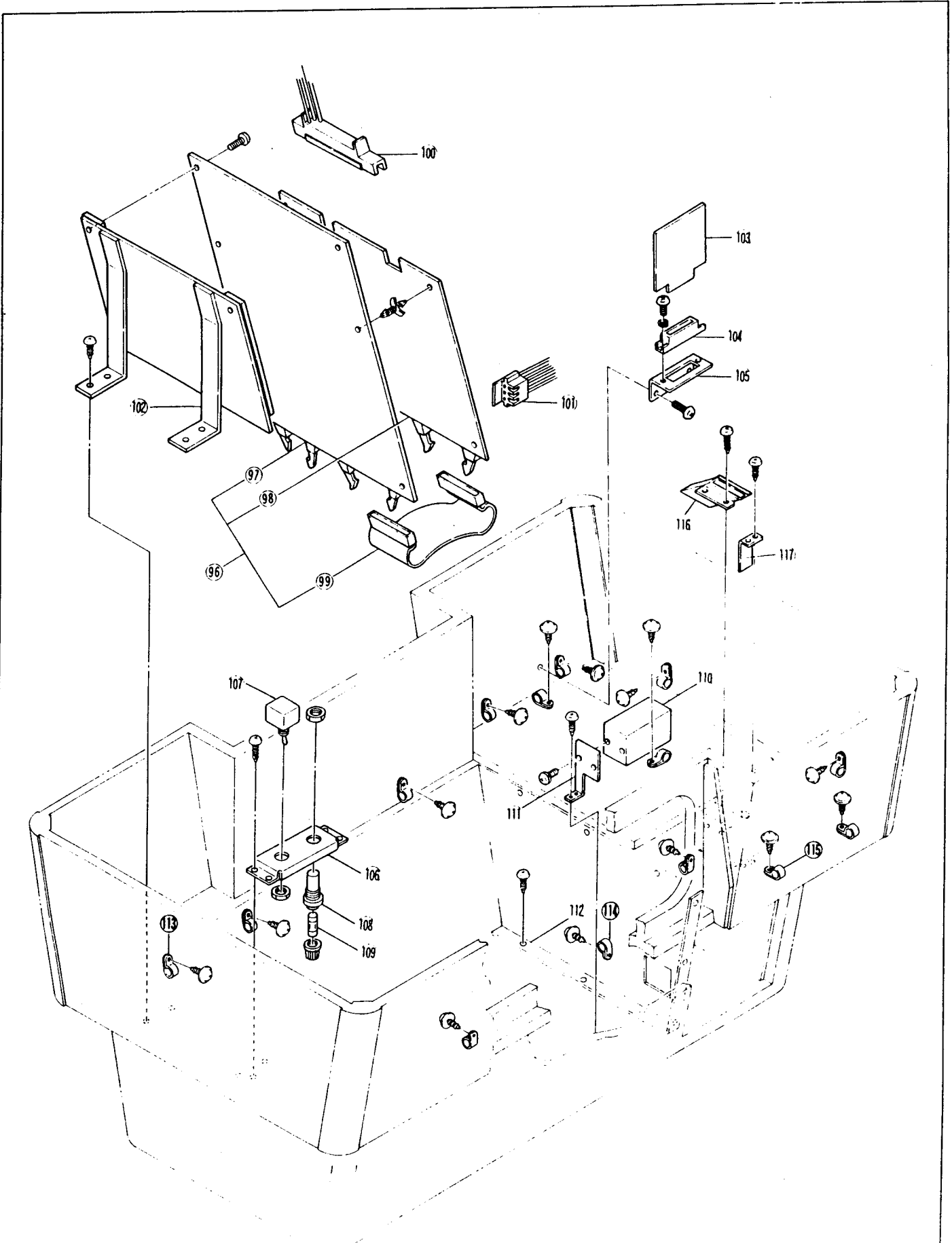


CRAZY CLIMBER

9 CONTROL PLATE ASSEMBLY

NO.	PARTS NO.	DESCRIPTION	UNIT PRICE (YEN)
60	CC70021	Control Plate (Square Selection SW. Type)	2,200
	CC70021A	Control Plate (Round Selection SW. Type)	2,200
61	CC70022	Control Panel (Square Selection SW. Type)	4,500
	CC70022A	Control Panel (Round Selection SW. Type)	4,500
62	CC70023	Control Plate	2,200
63	CC70024	Control Panel	4,300
64	AC20018	Coin Selector Bracket	1,800
65	AL20019	Coin Selector	6,000
66	TA50010	Micro SW.	1,200
67	MB20018	Control Knob	600
68	TA50029	Selection SW. Assy (Square Type)	1,800
	CC70025	Selection SW. Assy (Round Type)	1,500
69	TA50029A	Selection SW.	1,200
70	TA50029B	Selection SW. Base	280
71	TA50029C	Selection SW. Button	200
72	CC70026	Control Lever Assy	13,000
73	CC70027	Control Lever	1,800
	CC70027G	Control Lever	3,600
74	CC70028	Control Uni-Panel	1,500
75	CC70029	Control Base	800
76	CC70030	Control Mounting Bracket	1,680
77	CC70031	Control Sheet Bracket	350
78	MB20026	Spring Plate	100
79	MB20027	Spring Board Bracket	80
80	MB20025	Control Micro Switch	900
81	CC70032	Cash Box	2,100
82	PC50085	Key Set (C-88)	1,800
83	CC70033	Cash Box Door	1,500
84	PC50081	Key Metal Fittings	100
85	TA50013	Key Rock Plate	50
86	TA50038	Socket Housing (2R)	60
87	TA50037	Socket Housing (2P)	60
88	TA50039	Pin	30
89	TA50040	Pin	30
90	PC50046	Socket Housing (3R)	80
91	PC50045	Socket Housing (3P)	80
92	PC50042	Socket Housing (6R)	130
93	PC50041	Socket Housing (6P)	130
94	MB20046	Socket Housing (9R)	150
95	MB20045	Socket Housing (9P)	150

* EX-Godown our office in Japanese YEN.

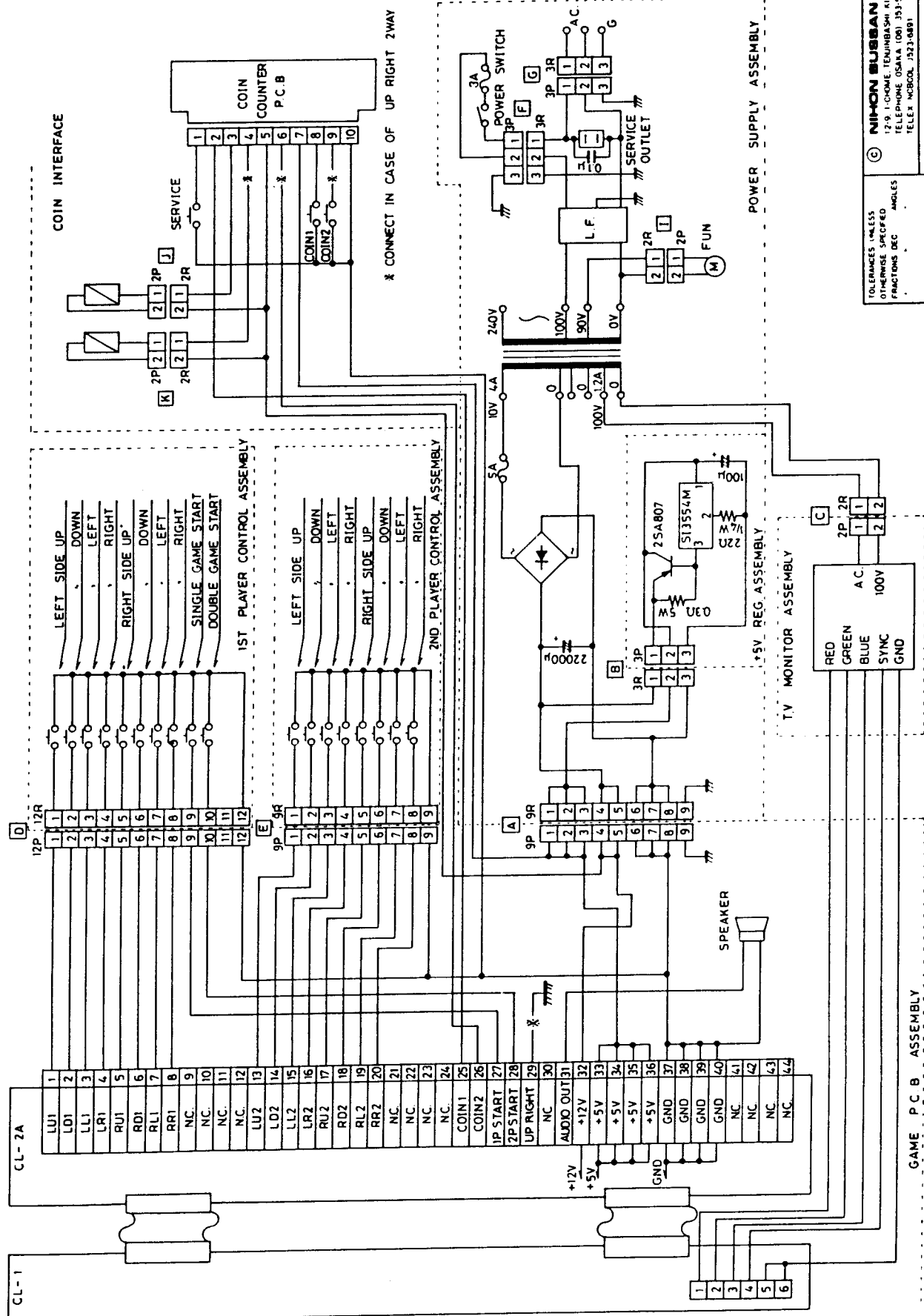


CRAZY CLIMBER

10 PRINTED BOARD ASSEMBLY

NO.	PARTS NO.	DESCRIPTION	UNIT PRICE (YEN)
96	CC70034	CC P.C. Board Assy	315,000
97	CC70035	CC-1 P. C. Board	148,000
98	CC70036	CC-2 P. C. Board	168,000
99	MB20032	Flat Cable (50P)	2,000
100	PC50035	Kel Connector (44P)	950
101	CC70037	Video Signal Connector	300
102	CC70038	P.C. Board Bracket	1,500
103	CC70039	MC-5 P.C. Board	5,000
104	BP10042	Connector (10P)	600
105	BP10043	Connector Bracket	450
106	CC70040	Power SW. Bracket	800
107	BP10041	Power SW.	480
108	PC50051	Fuse Holder (FH-032)	300
109	PC50052	Fuse (3A)	50
110	TA5035	Counter Meter	2,600
111	CC70041	Counter Bracket	280
112	CC70042	Shield Plate	1,800
113	PC50029	Nylon Clip (KD-2N)	40
114	PC50030	Nylon Clip (KD-4N)	50
115	*PC50031	Nylon Clip (KD-7N)	60
116	CC70043	Coin Shoot Rail	1,200
117	CC70044	Cash Box Key Support Plate	120

* EX-Godown our office in Japanese YEN.



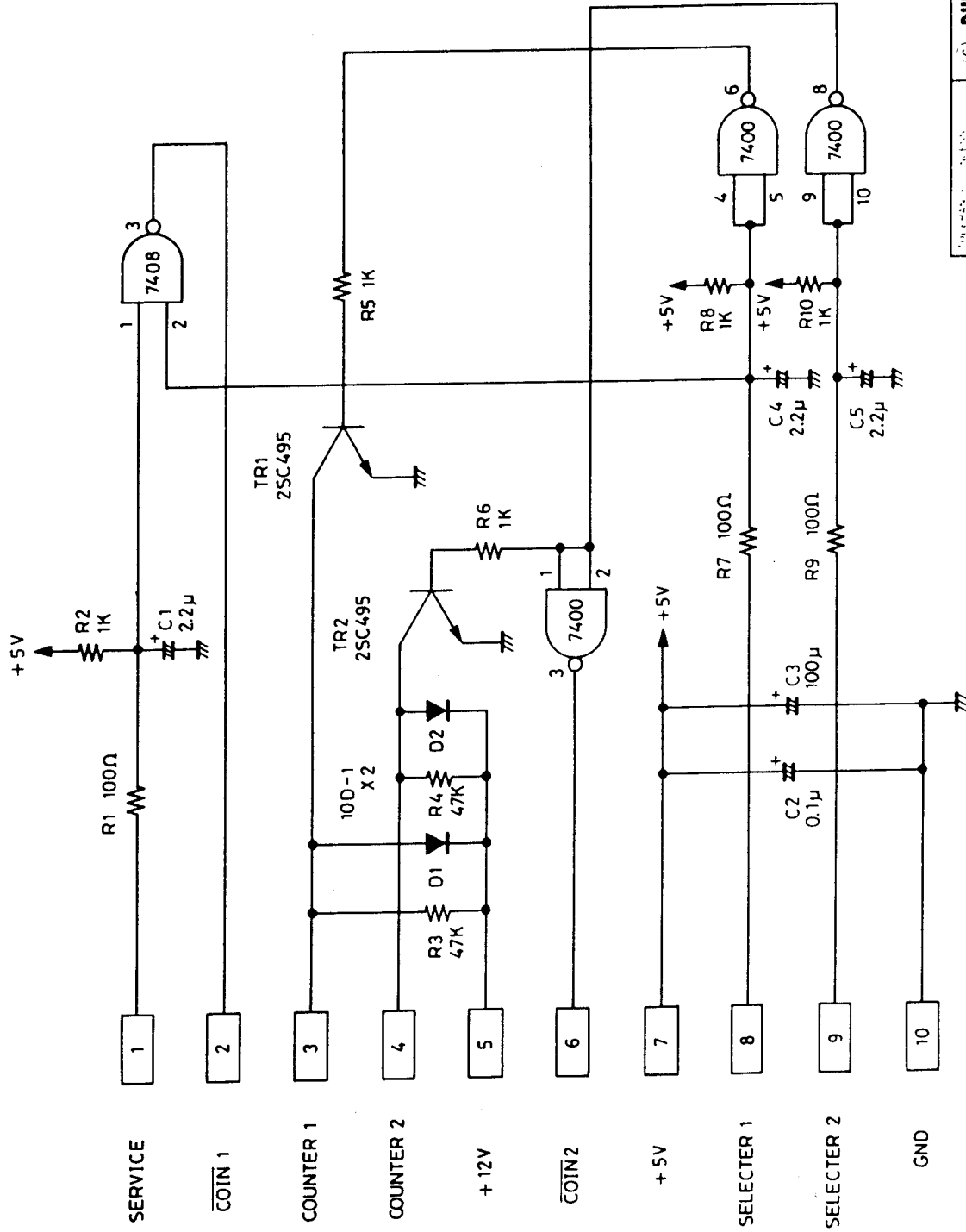
CL-1

1	LUI	1
2	LD1	2
3	LL1	3
4	LR1	4
5	RU1	5
6	RD1	6
7	RL1	7
8	RR1	8
9	NC.	9
10	NC.	10
11	NC.	11
12	NC.	12
13	LU2	13
14	LD2	14
15	LL2	15
16	LR2	16
17	RU2	17
18	RD2	18
19	RL2	19
20	RR2	20
21	NC.	21
22	NC.	22
23	NC.	23
24	NC.	24
25	COIN1	25
26	COIN2	26
27	1P START	27
28	2P START	28
29	UP RIGHT	29
30	NC.	30
31	AUDIO OUT	31
32	+12V	32
33	+5V	33
34	+5V	34
35	+5V	35
36	+5V	36
37	GND	37
38	GND	38
39	GND	39
40	GND	40
41	NC.	41
42	NC.	42
43	NC.	43
44	NC.	44

TOLERANCES UNLESS OTHERWISE SPECIFIED
 FRACTIONS DEC ANGLES
 APPROVALS DATE
 DRAWN HIKITABATA 29 9 80
 CHECKED HIKITABATA 17 11 80
 SCALE
 DRAWING NO
 SIZE
 C-476
 SHEET

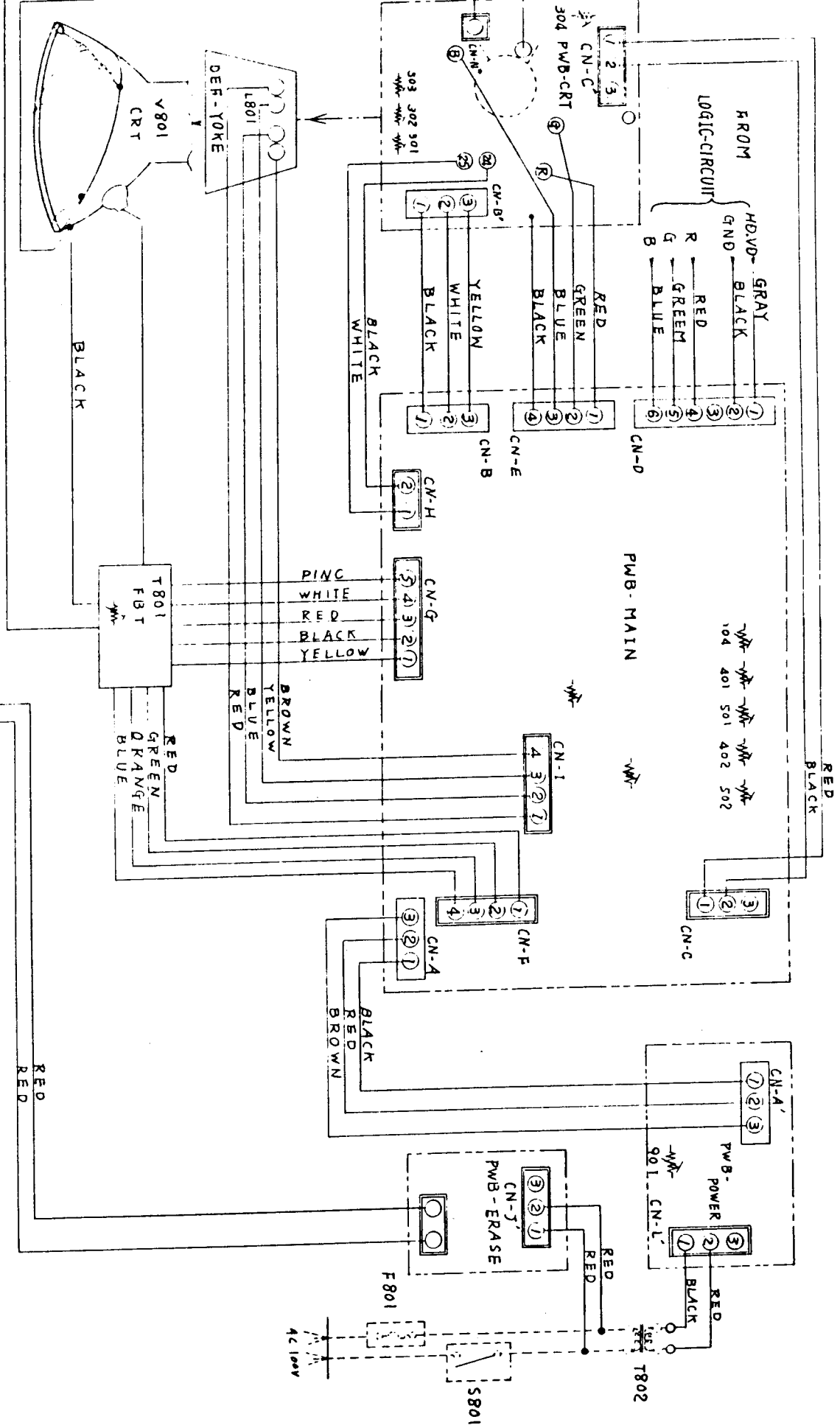
NIKON SUBBAN CO., LTD.
 17-9 I-CHOME, TENJINBASHI, KITA-KU, OSAKA, JAPAN
 TELEPHONE OSAKA (06) 393-9211
 TELEX MICROOL 3223-0881

CRAZY CLIMBER
 WIRING DIAGRAM
 GAME P.C.B. ASSEMBLY



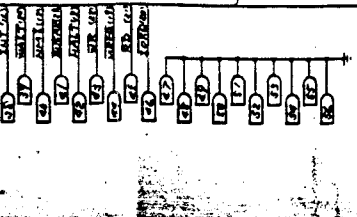
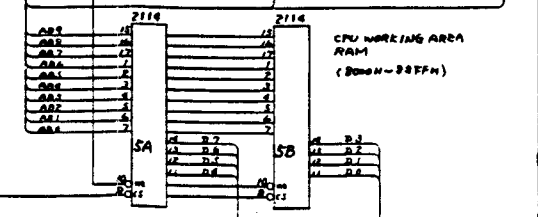
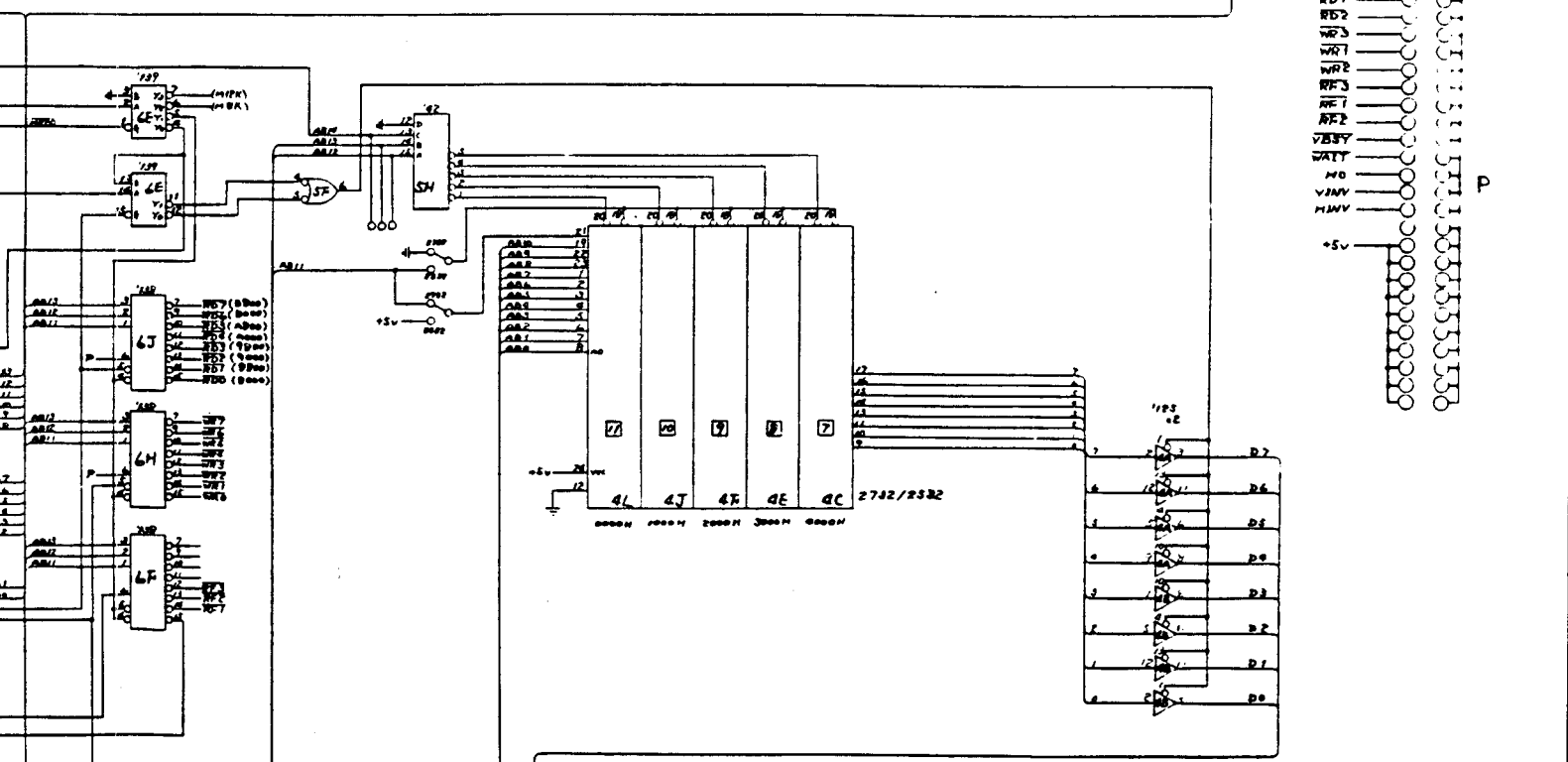
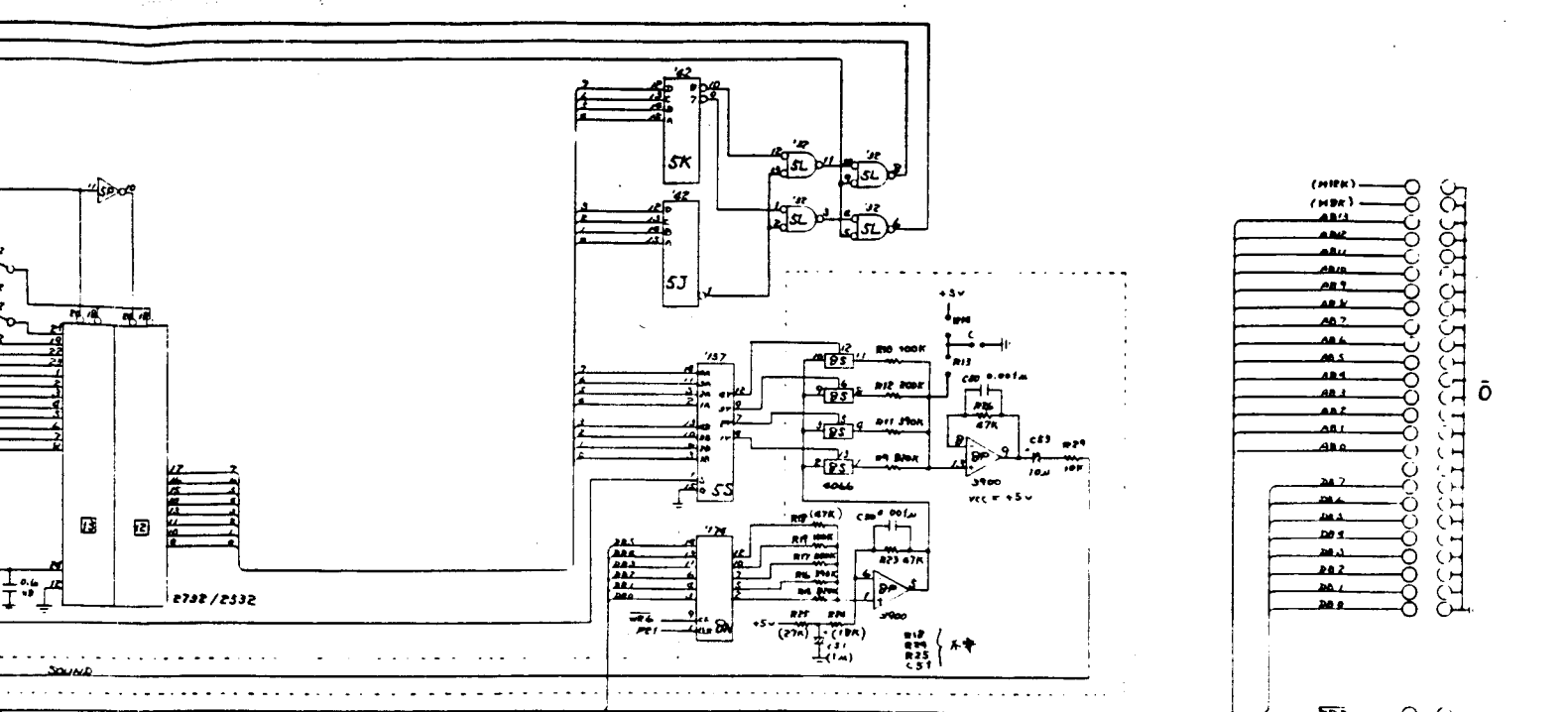
10P
KEL

(C) NIHON BUSSAN CO., LTD. 1-1-1, SHIMIZU 1-CHOME, SHIBUYA-KU, TOKYO 162, JAPAN TEL: 03-3481-1111 FAX: 03-3481-1112		CRAZY CLIMBER COW COUNTER CC-5	
PROJECT NO. 10P DRAWING NO. 10P-10P-01	DATE 26.11.80	SCALE 1:1	SHEET NO. 10P-10P-01
DRAWN BY H. KITABATA	CHECKED BY H. KITABATA	DATE 26.11.80	SCALE 1:1



7802
ERASE-COIL

① NIPPON BUSSAN CO., LTD. 1279 ICHIKAWA CHUO-KU, OSAKA, JAPAN TELEPHONE 5544 001, 5515211 TELEX 818001, 8216801	
APPROVALS DATE	SIZE DRAWING NO.
COLOUR MONITOR (MITSUBISHI) BLOCK DIAGRAM	
SHEET	

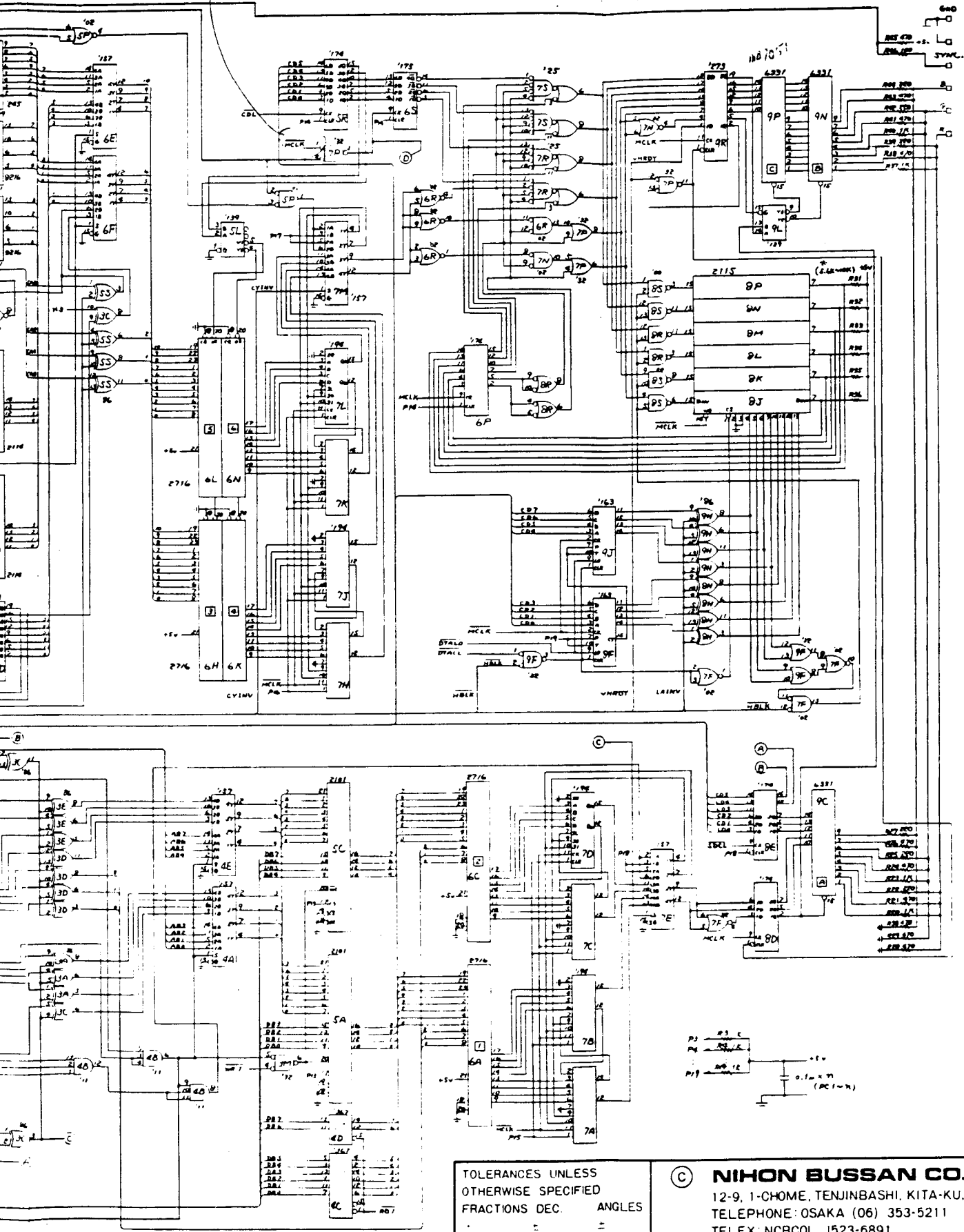


TOLERANCES UNLESS OTHERWISE SPECIFIED
 FRACTIONS DEC. ANGLES
 = ± ±

© **NIHON BUSSAN CO., LTD.**
 12-9, 1-CHOME, TENJINBASHI, KITA-KU, OSAKA, JAPAN
 TELEPHONE: OSAKA (06) 353-5211
 TELEX: NBCOL J523-6891

APPROVALS		DATE		CRAZY CLIMBER SCHEMATIC CCG-2	
DRAWN S.SAKURAI		80.8.8			
CHECKED				SCALE	SIZE
S.SAKURAI		88.11.5		DRAWING NO.	
SHEET					

note trace missing to MCLK on some boards.



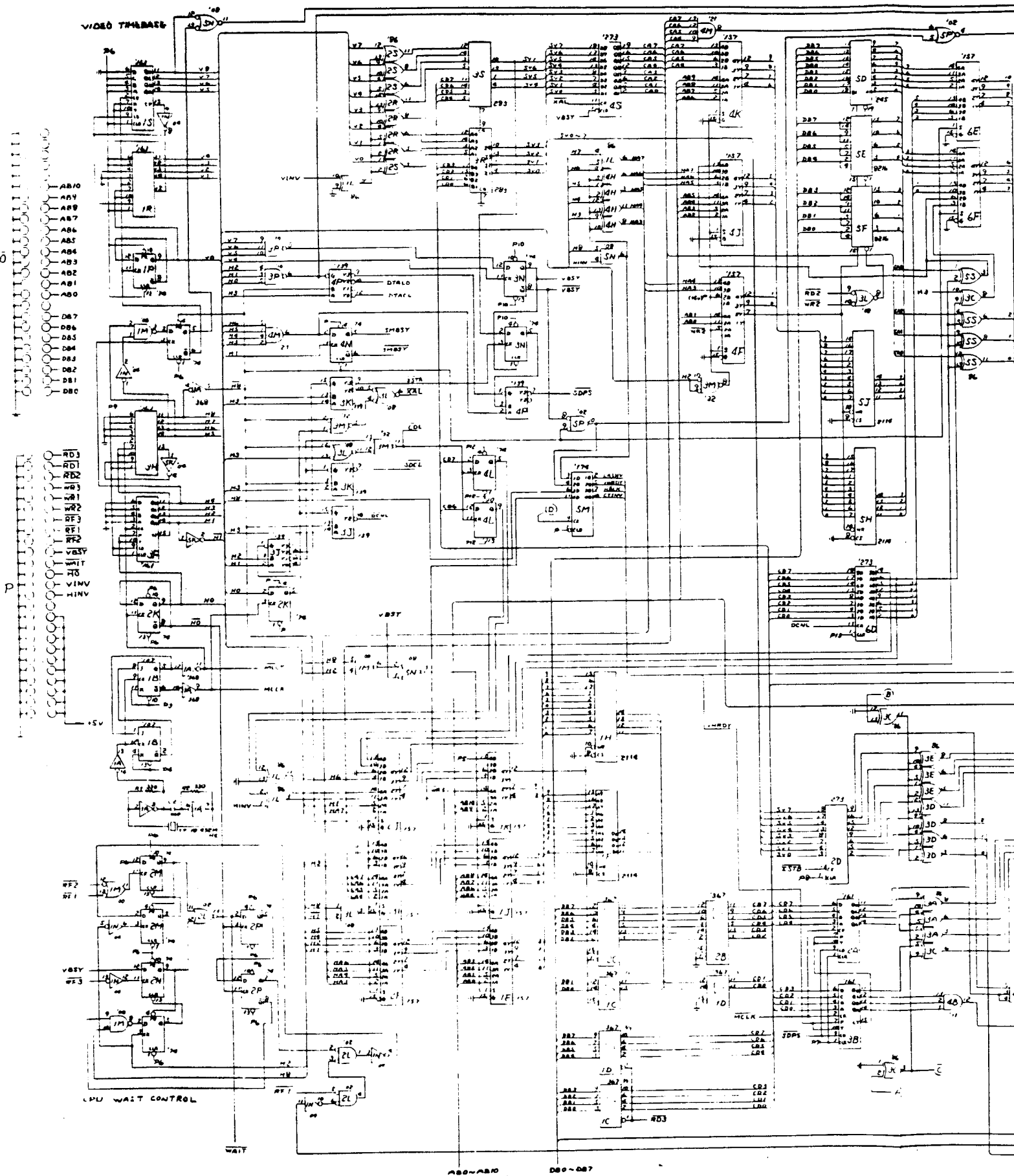
TOLERANCES UNLESS OTHERWISE SPECIFIED
FRACTIONS DEC. ANGLES =

© **NIHON BUSSAN CO., LTD.**
12-9, 1-CHOME, TENJINBASHI, KITA-KU, OSAKA, JAPAN
TELEPHONE: OSAKA (06) 353-5211
TELEX: NCBOL J523-6891

APPROVALS	DATE
DRAWN S.SAKURAI	80.7.30
CHECKED	

CRAZY CLIMBER
SCHEMATIC CCG-1

S.SAKURAI	80.11.5	SCALE	SIZE	DRAWING NO.
-----------	---------	-------	------	-------------



VIDEO FRAME GRABBER

AB10
AB9
AB8
AB7
AB6
AB5
AB4
AB3
AB2
AB1
AB0

RD3
RD2
RD1
RD0
WB3
WB2
WB1
WB0
FB3
FB2
FB1
FB0
VBSY
WAIT
H0
VINV
HINV

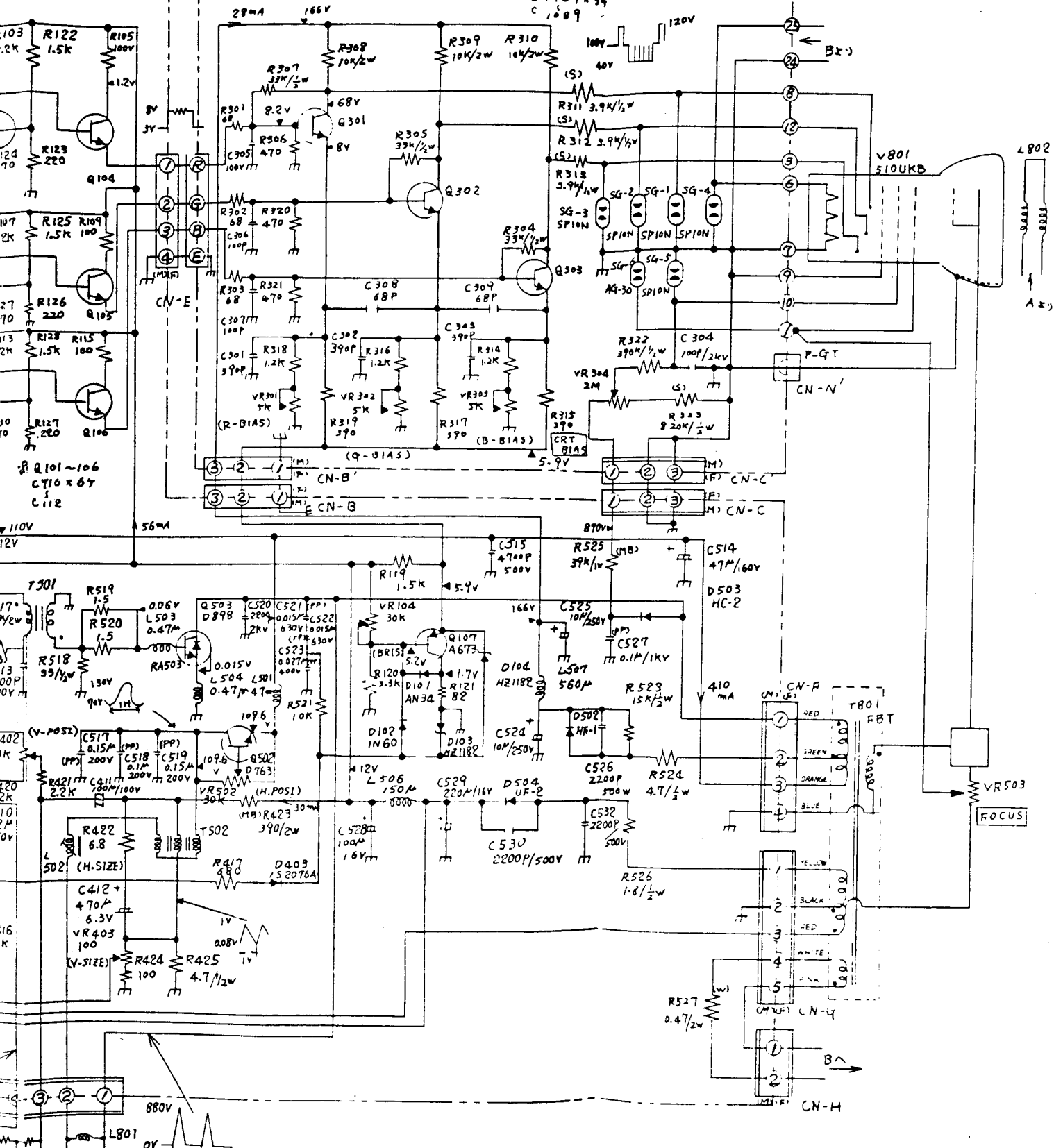
CPU WAIT CONTROL

WAIT

AB0-AB9

DB0-DB9

Q 301 ~ 303
C 1749 x 34
C 1089



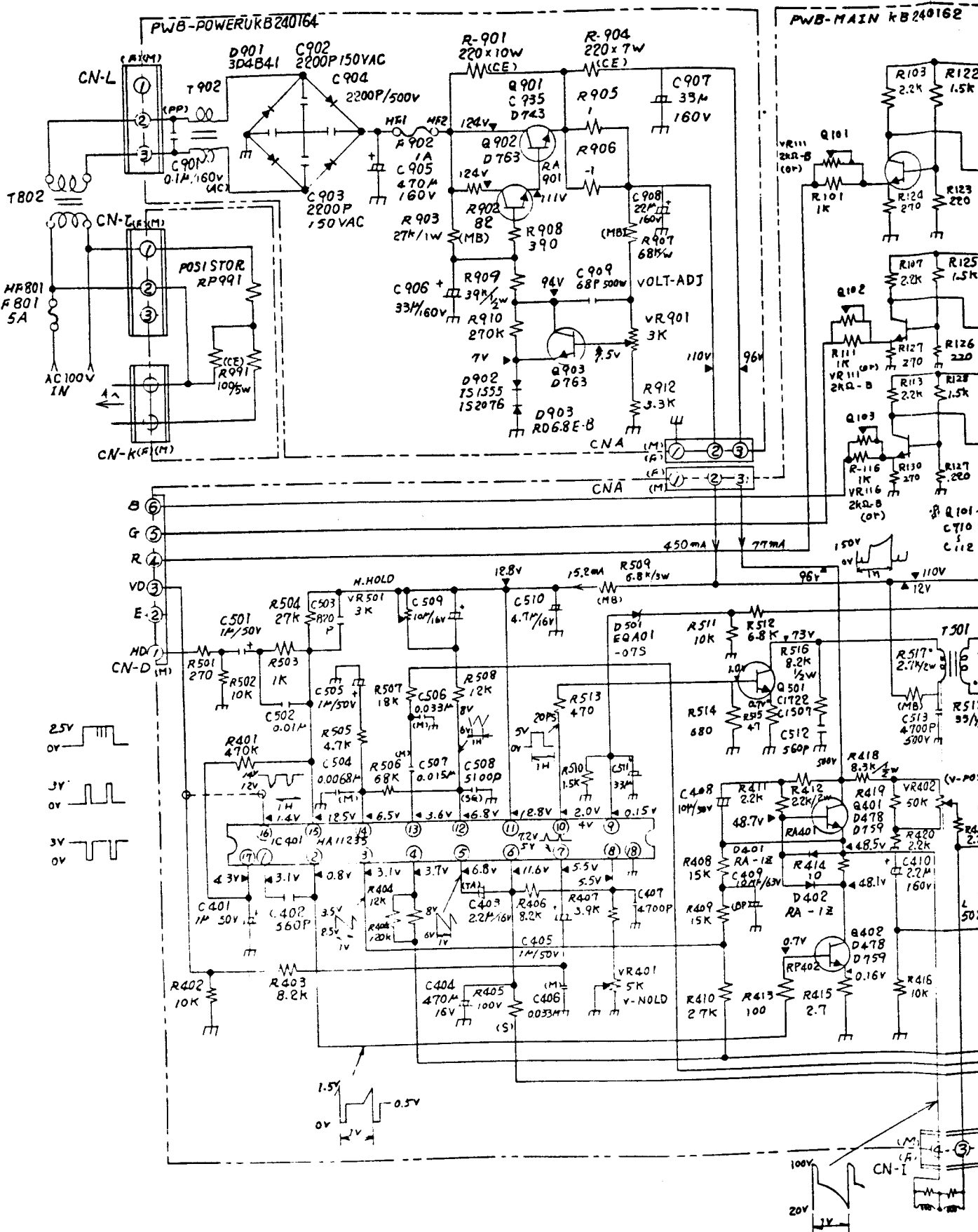
TOLERANCES UNLESS OTHERWISE SPECIFIED
FRACTIONS DEC ANGLES
± ± ±

© **NIHON BUSBAN CO., LTD.**
12-9, 1-CHOME, TENJINBASHI, KITA-KU, OSAKA, JAPAN
TELEPHONE OSAKA (06) 353-5211
TELEX NCBOL J523-6891

COLOUR MONITOR (MITSUBISHI) SCHEMATIC

APPROVALS	DATE	SCALE	SIZE	DRAWING NO.
DRAWN T TAKEDA	7/7/1980			
CHECKED T TAKEDA	7/7/1980			

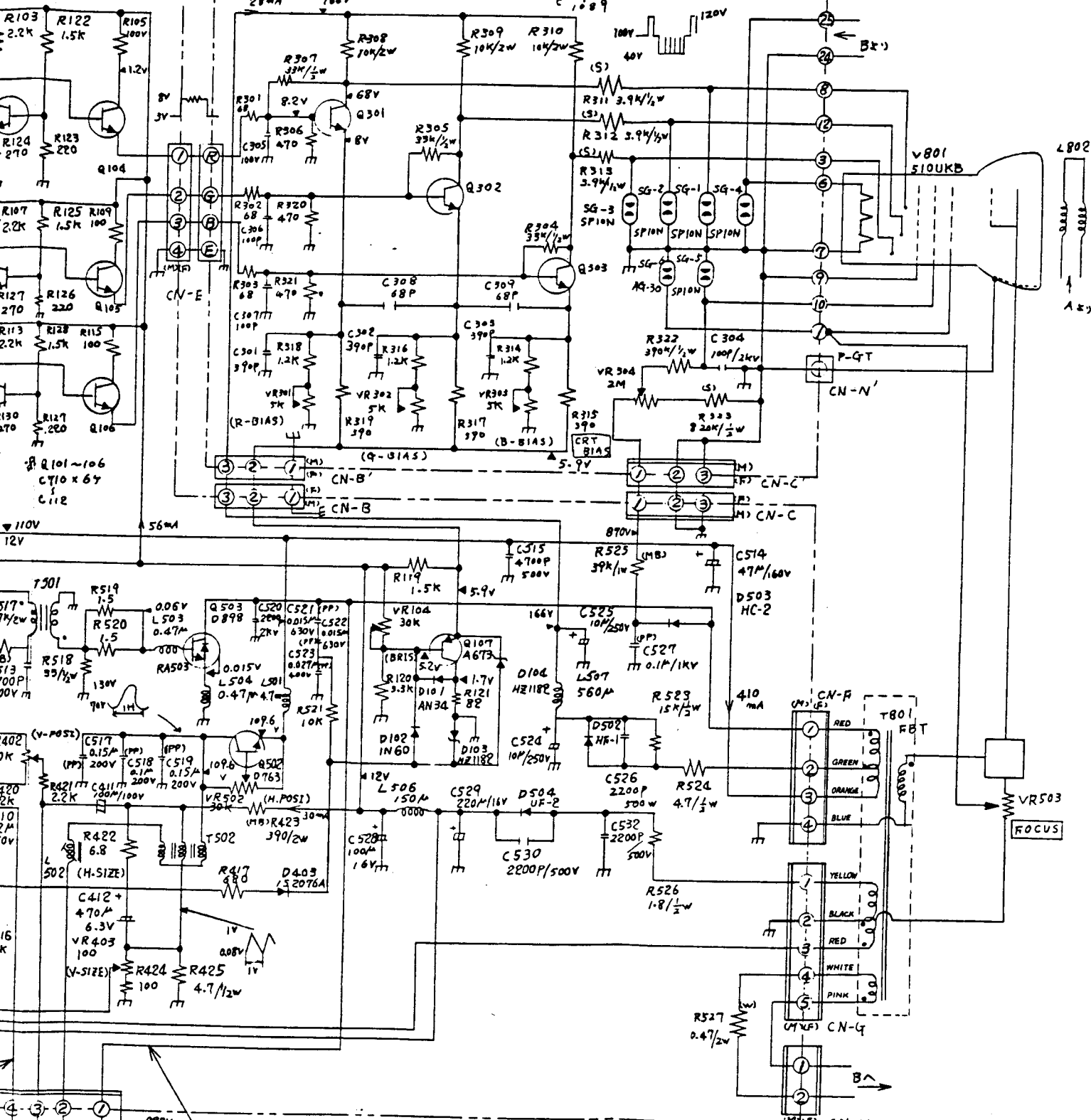
SHEET



KB 240162

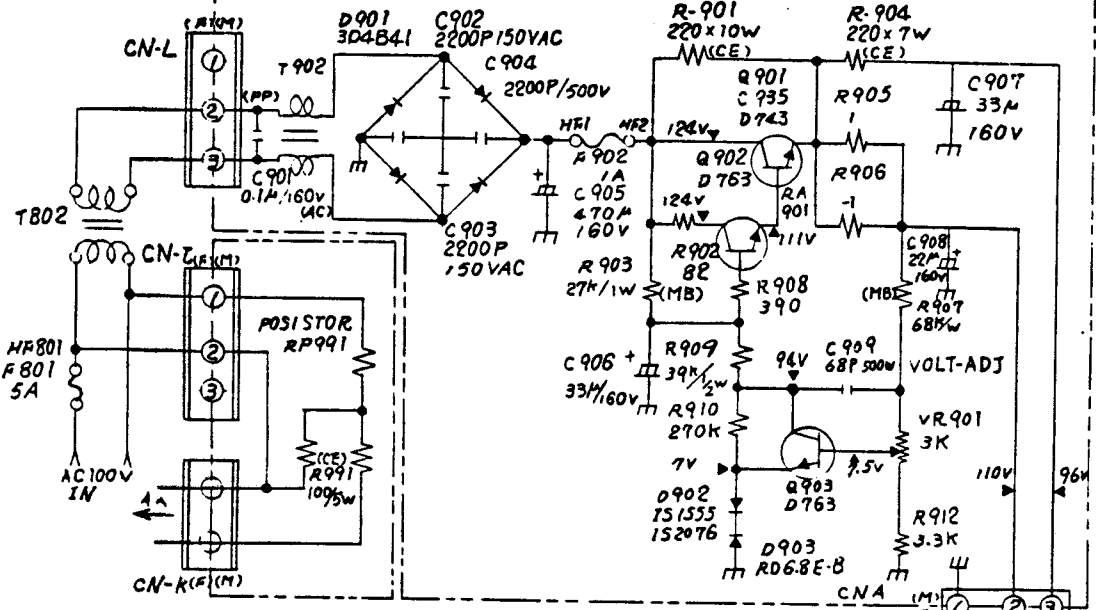
PWB-CRT KB 240163

Q 301 ~ 303
C 1749 x 34
C 1689



TOLERANCES UNLESS OTHERWISE SPECIFIED		FRACTIONS DEC.		ANGLES	
±	±	±	±	±	±
APPROVALS	DATE	© NIPPON BUSHAN CO., LTD.			
DRW. T. TAKEDA	7/7/1980	12-R, 1-CHOME, TENJINGASHI, KITA-KU, OSAKA, JAPAN			
CHECKED		TELEPHONE: OSAKA (06) 353-9211			
		TELEX: NCB00L J823-6891			
		COLOUR MONITOR (MITSUBISHI)			
		SCHEMATIC			
SCALE	SIZE	DRAWING NO.			

PWB-POWERUKB240164



PWB-MAIN KB240162

