



DEVASTATORS™

INSTRUCTION MANUAL

DEVASTATORS™ is a registered trademark of Konami Inc. © 1988 Konami Inc.

 **KONAMI®** is a trademark of Konami Industry Co., Ltd.

PARTS LIST

Part Number	Item	Quantity Per U/R
890010	AC Harness	1
890011	DC Harness	1
30110	Button Red-L	2
30111	Button White-L	2
39112	Button Blue-L	2
40101	Coin Doors	1
890100	Control Panel Overlay	1
890700	CRT Bezel	1
890200	Marquee Styrene	1
890300	S-Decal Lt.	1
890302	S-Decal Rt.	1
890301	S-Decal Top	2
40605	FCC Cage	1
35102	Fuses #2 AMP	1
35104	Fuses #4 AMP	1
35105	Fuses #5 AMP	2
35201	ISO. Trans.	1
30305	J. Stix Blue	1
30304	J. Stix Red	1
40604	Lite Shlds.	1
35300	Line Filter	1
40801	Locks	1
40802	S. Washers	1
890400	Manuals	1
890401	Schematic X3	1
40203	Marq. Bracket	1
40701	Lite Fixture	1
40306	Marq. Plastic	1
40301	Tempered Glass	1
30202	Switch Holder	6
30250	Palnuts	6
35401	Power Supply	1
890500	Outer Sleeve (Box)	1
890504	Corner Post Front	2
890505	Corner Post Back	2
890506	Bottom Pad	1
890507	Bottom Tray	1
40509	Vertical Monitors	1

DEVASTATORS: WIRING HARNESS

WIRE COLOR KEY:		Solder Side ←		→ Parts Side	
BLACK	GND	A	1	GND	BLACK
BLACK	GND	B	2	GND	BLACK
RED	+5V DC	C	3	+5V DC	RED
RED	+5V DC	D	4	+5V DC	RED
	NOT USED	E	5	NOT USED	
ORANGE	+12V DC	F	6	+12V DC	ORANGE
	*KEY	H	7	*KEY	
BROWN/YELLOW	COIN COUNTER	J	8	COIN COUNTER	GREEN/GRAY
	(EMPTY)	K	9	(EMPTY)	
YELLOW	SPEAKER (-)	L	10	SPEAKER (+)	BLUE
	(EMPTY)	M	11	(EMPTY)	
WHITE/GREEN	VIDEO GREEN	N	12	VIDEO RED	RED/WHITE
WHITE	VIDEO SYNC	P	13	VIDEO BLUE	BLUE/WHITE
	(EMPTY)	R	14	VIDEO GROUND	BLACK
	(EMPTY)	S	15	(EMPTY)	
VIOLET/WHITE	COIN 2	T	16	COIN 1	BLUE/BROWN
RED/GREEN	2P START	U	17	1P START	RED/YELLOW
BLUE/YELLOW	2P UP	V	18	1P UP	ORANGE/WHITE
VIOLET/YELLOW	2P DOWN	W	19	1P DOWN	BLACK/WHITE
ORANGE/GREEN	2P LEFT	X	20	1P LEFT	RED/GRAY
ORANGE/YELLOW	2P RIGHT	Y	21	1P RIGHT	GRAY/WHITE
BLACK/YELLOW	2P SHOOT	Z	22	1P SHOOT	RED/WHITE
ORANGE/GRAY	2P GRENADE	a	23	1P GRENADE	GREEN/BROWN
	NOT USED	b	24	NOT USED	
	NOT USED	c	25	NOT USED	
	NOT USED	d	26	NOT USED	
BLACK	GND	e	27	GND	BLACK
BLACK	GND	f	28	GND	BLACK

(BASE COLOR/LINE COLOR)

DIP SWITCH SETTINGS

DIP SWITCH NO. 1 SETTINGS

1. COIN 1

SW	1	2	3	4	COIN	PLAY
•	OFF	OFF	OFF	OFF	1	1
	ON	OFF	OFF	OFF	1	2
	OFF	ON	OFF	OFF	1	3
	ON	ON	OFF	OFF	1	4
	OFF	OFF	ON	OFF	1	5
	ON	OFF	ON	OFF	1	6
	OFF	ON	ON	OFF	1	7
	ON	ON	ON	OFF	2	1
	OFF	OFF	OFF	ON	2	3
	ON	OFF	OFF	ON	2	5
	OFF	ON	OFF	ON	3	1
	ON	ON	OFF	ON	3	2
	OFF	OFF	ON	ON	3	4
	ON	OFF	ON	ON	4	1
	OFF	ON	ON	ON	4	3
	ON	ON	ON	ON	FREEPLAY	

FREEPLAY: You can play game without coins.

2. COIN 2

SW	5	6	7	8	COIN	PLAY
•	OFF	OFF	OFF	OFF	1	1
	ON	OFF	OFF	OFF	1	2
	OFF	ON	OFF	OFF	1	3
	ON	ON	OFF	OFF	1	4
	OFF	OFF	ON	OFF	1	5
	ON	OFF	ON	OFF	1	6
	OFF	ON	ON	OFF	1	7
	ON	ON	ON	OFF	2	1
	OFF	OFF	OFF	ON	2	3
	ON	OFF	OFF	ON	2	5
	OFF	ON	OFF	ON	3	1
	ON	ON	OFF	ON	3	2
	OFF	OFF	ON	ON	3	4
	ON	OFF	ON	ON	4	1
	OFF	ON	ON	ON	4	3
	ON	ON	ON	ON	VOID	

DIP SWITCH NO. 2 SETTINGS

1. THE NUMBER OF PLAYER'S LIFE

SW	1	2	NUMBER
•	OFF	OFF	2
	ON	OFF	3
	OFF	ON	5
	ON	ON	7

2. BONUS LIFE

SW	4	5	BONUS LIFE
•	OFF	OFF	At 150 pts. then every 200 pts.
	ON	OFF	At 150 pts. then every 250 pts.
	OFF	ON	At 150 pts. only
	ON	ON	At 200 pts. only

3. DIFFICULTY OF THE GAME

SW	6	7	DIFFICULTY
•	OFF	OFF	EASY
	ON	OFF	NORMAL
	OFF	ON	DIFFICULT
	ON	ON	VERY DIFFICULT

4. SOUND IN ATTRACTIVE MODE

SW	8	SOUND
•	OFF	OFF
	ON	ON

SW3 is not used.

DIP SWITCH NO.3 SETTINGS

1. VIDEO SCREEN FLIP

SW	1	
•	OFF	NORMAL
	ON	UPSIDE DOWN

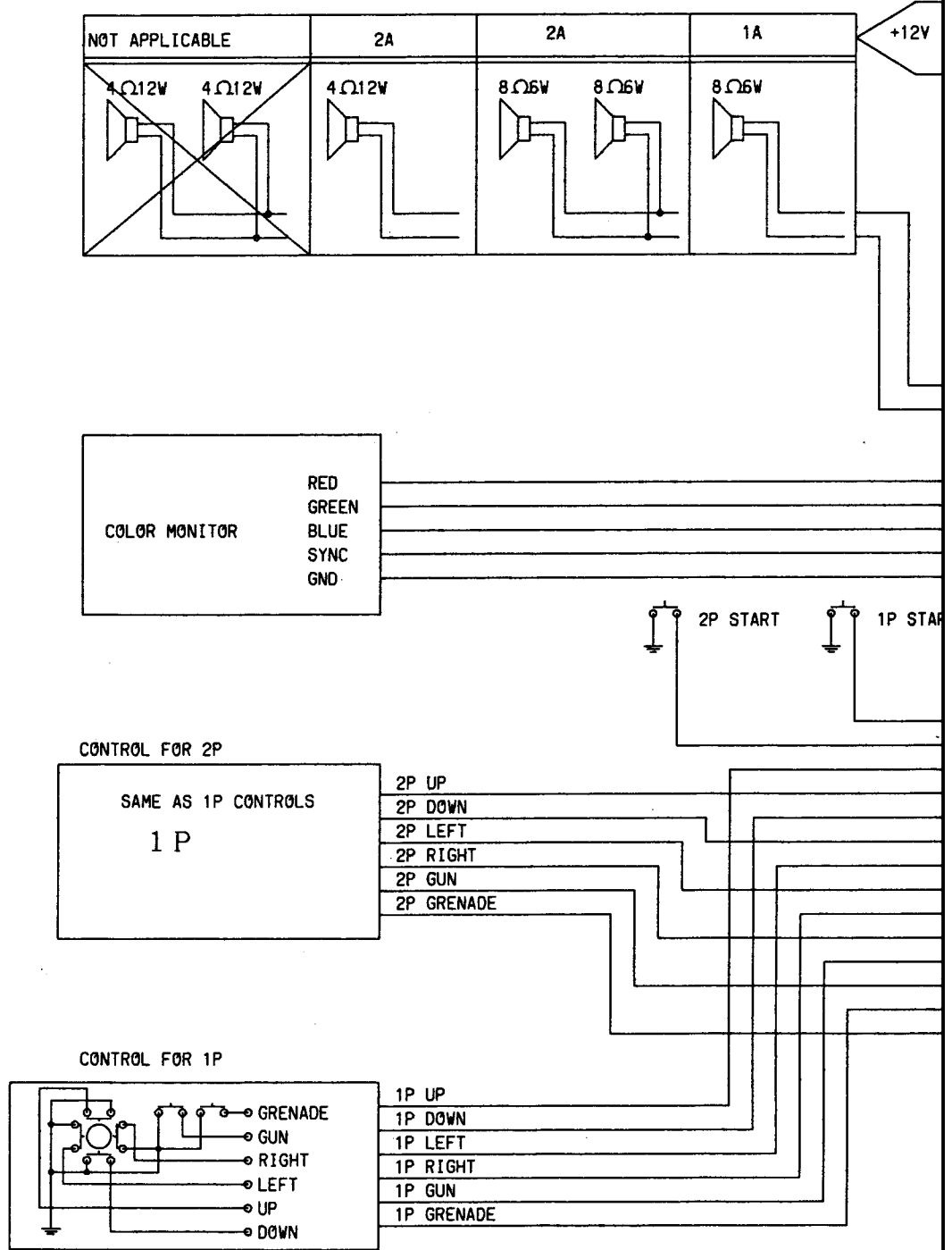
2. CHANGE OF MODE

SW	3	MODE
•	OFF	GAME
	ON	TEST

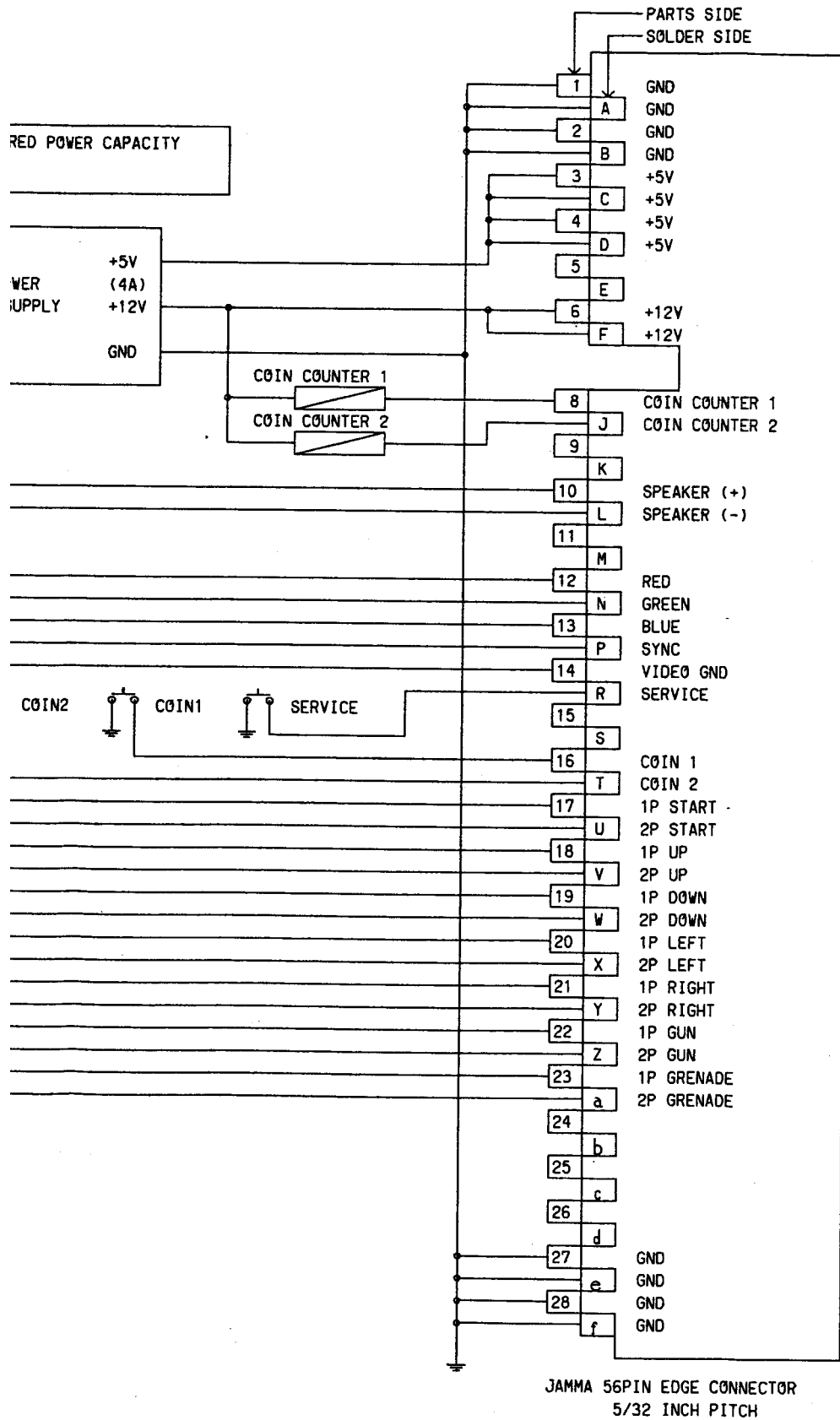
SW2 and SW4 are not used.

- Shows recommended settings

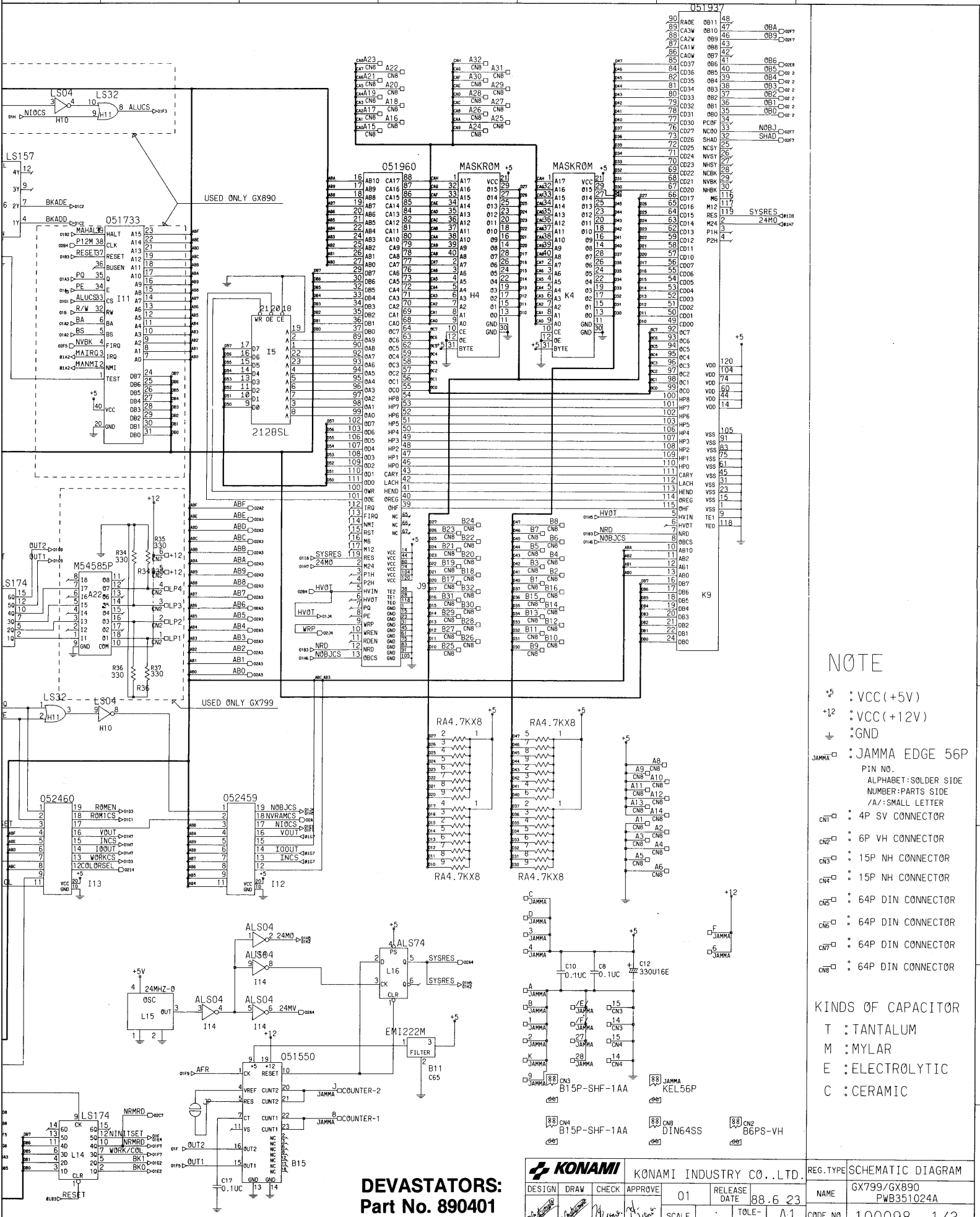
DEVASTATORS: WIRING DIAGRAM



- NOTES -
- 1 1P NO.1 PLAYE
 - 2P NO.2 PLAYE
 - 2 SURGE KILLER
 - COUNTER INST



FOR COIN
THE P.C.B.



051937

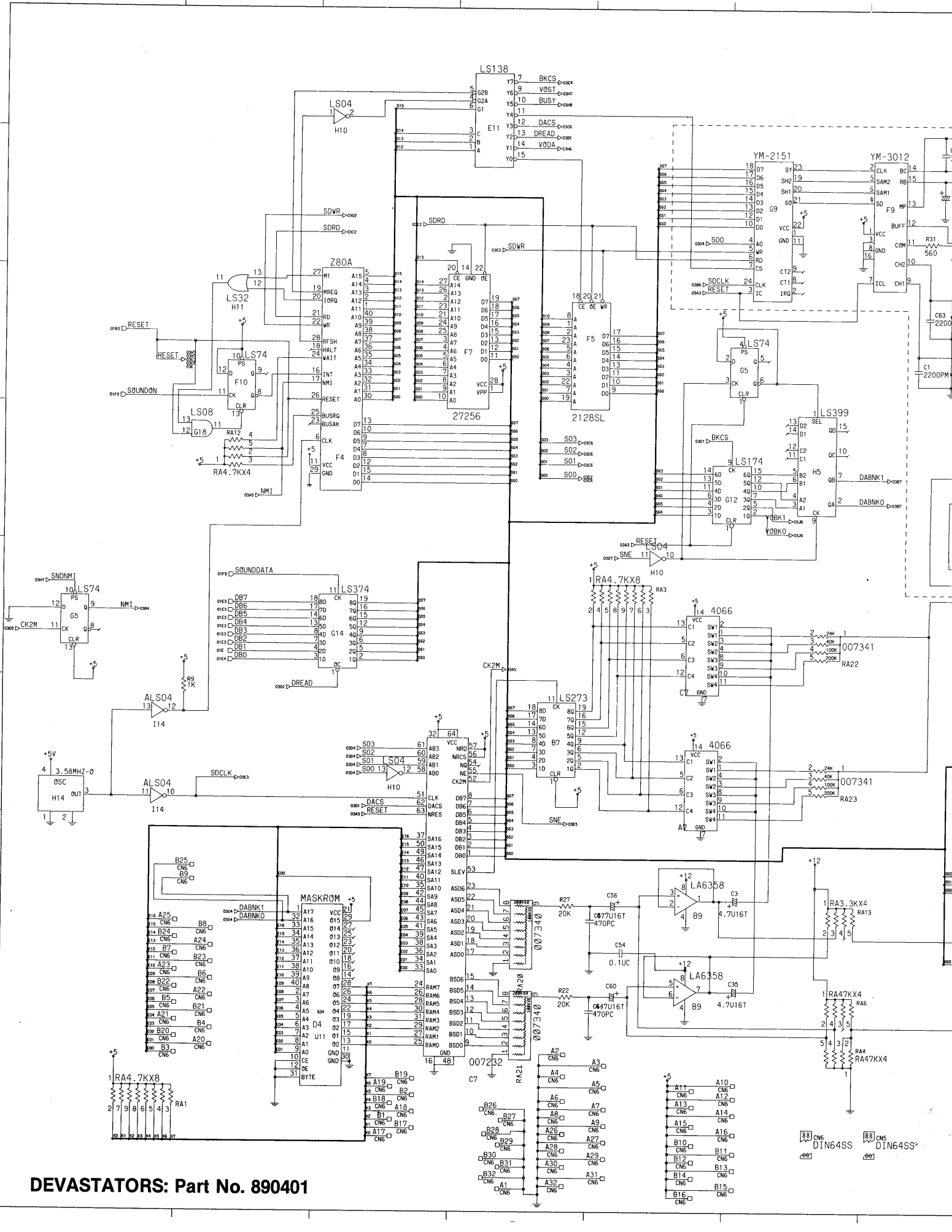
90	PA0C	0811	48
89	PA0B	0810	47
88	CA2W	0809	46
87	CA1W	0808	45
86	CA0W	0807	44
85	CD37	0806	43
84	CD36	0805	42
83	CD35	0804	41
82	CD34	0803	40
81	CD33	0802	39
80	CD32	0801	38
79	CD31	0800	37
78	CD30	PC0F	36
77	CD27	NC00	35
76	CD26	SHAD	34
75	CD25	NCSY	33
74	CD24	NVSY	32
73	CD23	NHSY	31
72	CD22	NCRK	30
71	CD21	NVBR	29
70	CD20	NH6K	28
69	CD17	NH6	27
68	CD16	MES	26
67	CD15	RES	25
66	CD14	M24	24
65	CD13	P2H	23
64	CD12		22
63	CD11		21
62	CD10		20
61	CD07		19
60	CD06		18
59	CD05		17
58	CD04		16
57	CD03		15
56	CD02		14
55	CD01		13
54	CD00		12
53	OC7		11
52	OC6		10
51	OC5		9
50	OC4		8
49	OC3		7
48	OC2		6
47	OC1		5
46	OC0		4
45	HP8		3
44	HP7		2
43	HP6		1
42	HP5		
41	HP4		
40	HP3		
39	HP2		
38	HP1		
37	VSS		
36	VSS		
35	VSS		
34	VSS		
33	VSS		
32	VSS		
31	VSS		
30	VSS		
29	VSS		
28	VSS		
27	VSS		
26	VSS		
25	VSS		
24	VSS		
23	VSS		
22	VSS		
21	VSS		
20	VSS		
19	VSS		
18	VSS		
17	VSS		
16	VSS		
15	VSS		
14	VSS		
13	VSS		
12	VSS		
11	VSS		
10	VSS		
9	VSS		
8	VSS		
7	VSS		
6	VSS		
5	VSS		
4	VSS		
3	VSS		
2	VSS		
1	VSS		

- NOTE**
- +5 : VCC(+5V)
 - +12 : VCC(+12V)
 - ⊥ : GND
- JAMMA □ : JAMMA EDGE 56P
- PIN NO.
- ALPHABET: SOLDER SIDE
NUMBER: PARTS SIDE
/A/: SMALL LETTER
- : 4P SV CONNECTOR
 - : 6P VH CONNECTOR
 - : 15P NH CONNECTOR
 - : 15P NH CONNECTOR
 - : 64P DIN CONNECTOR
 - : 64P DIN CONNECTOR
 - : 64P DIN CONNECTOR
 - : 64P DIN CONNECTOR

- KINDS OF CAPACITOR**
- T : TANTALUM
 - M : MYLAR
 - E : ELECTROLYTIC
 - C : CERAMIC

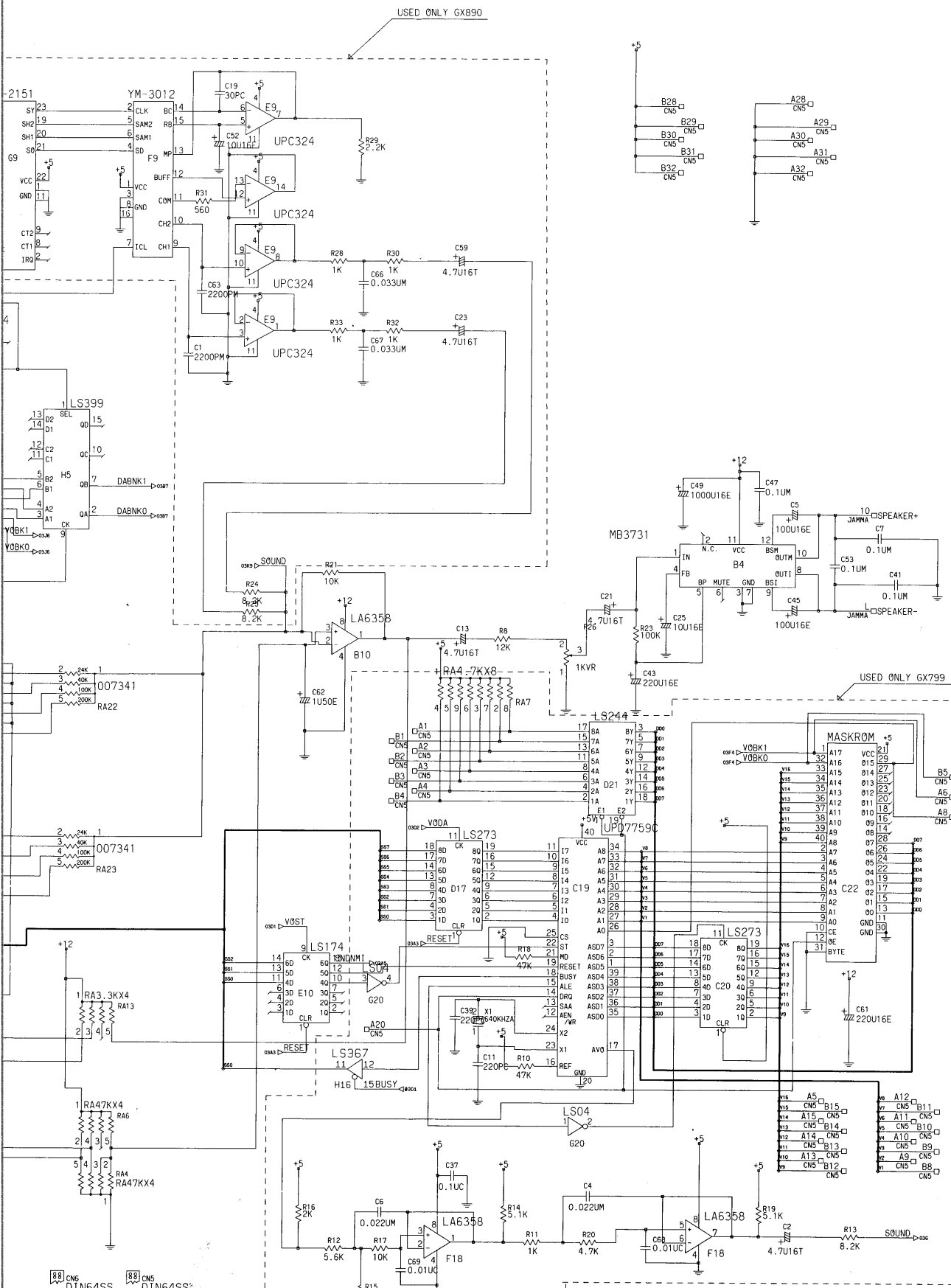
**DEVASTATORS:
Part No. 890401**

KONAMI				KONAMI INDUSTRY CO., LTD.				REG. TYPE	SCHEMATIC DIAGRAM	
DESIGN	DRAW	CHECK	APPROVE	01	RELEASE DATE	88.6.23	NAME	GX799/GX890 PWB351024A		
SCALE	TOLE-RANCE	A1	CODE NO.	100098 1/3						



DEVASTATORS: Part No. 890401

88 CN6 DIN64SS
89 CN6 DIN64SS



- NOTE**
- +5 : VCC(+5V)
 - +12 : VCC(+12V)
 - ⊥ : GND
 - JAMMA □ : JAMMA EDGE 56P
 - PIN NO. ALPHABET: SOLDER SIDE
 - NUMBER: PARTS SIDE
 - /A/: SMALL LETTER
 - CNT □ : 4P SV CONNECTOR
 - CN2 □ : 6P VH CONNECTOR
 - CN3 □ : 15P NH CONNECTOR
 - CN4 □ : 15P NH CONNECTOR
 - CN5 □ : 64P DIN CONNECTOR
 - CN6 □ : 64P DIN CONNECTOR
 - CN7 □ : 64P DIN CONNECTOR
 - CN8 □ : 64P DIN CONNECTOR

KINDS OF CAPACITOR

- T : TANTALUM
- M : MYLAR
- E : ELECTROLYTIC
- C : CERAMIC

KONAMI				KONAMI INDUSTRY CO., LTD.		REG. TYPE	SCHEMATIC DIAGRAM
DESIGN	DRAW	CHECK	APPROVE	03	RELEASE DATE	88.6.23	NAME
					SCALE	TOLE-RANCE	A1
						CODE NO.	100098 3/3