



DRAGON'S LAIR^{*}
PRELIMINARY MANUAL

VIDEO DISK PLAYER.

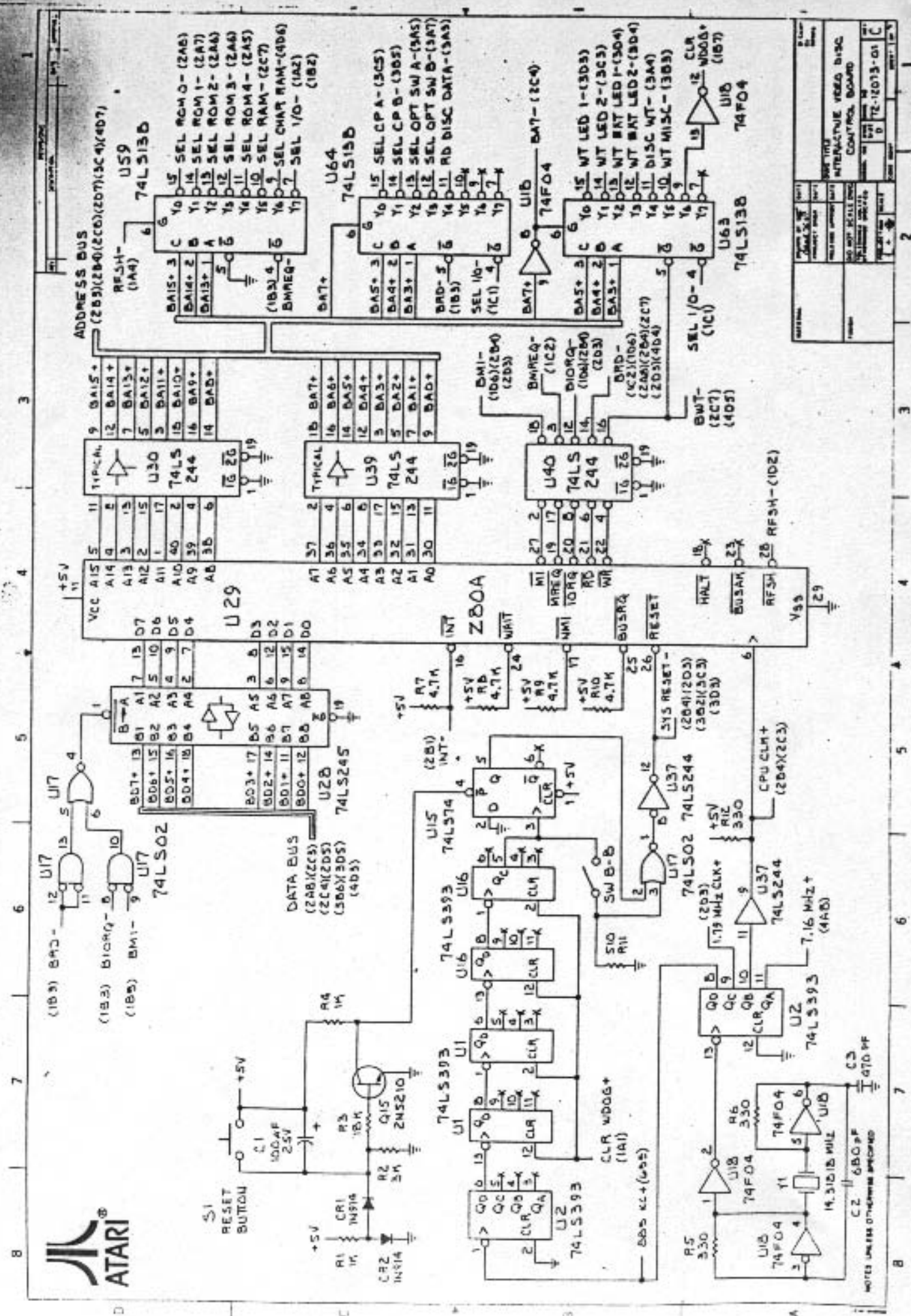
To ensure best quality and reliability the following simple maintenance should be performed at 2 weekly intervals.

BEFORE OPENING THE PLAYER, PLEASE NOTE THE FOLLOWING.

- (a) The disk should be handled only by its edges or between the centre hole and one edge. Avoid any contact with the playing surface of the disk.
- (b) DO NOT use any form of abrasive cleaner, alcohol or other solvent.

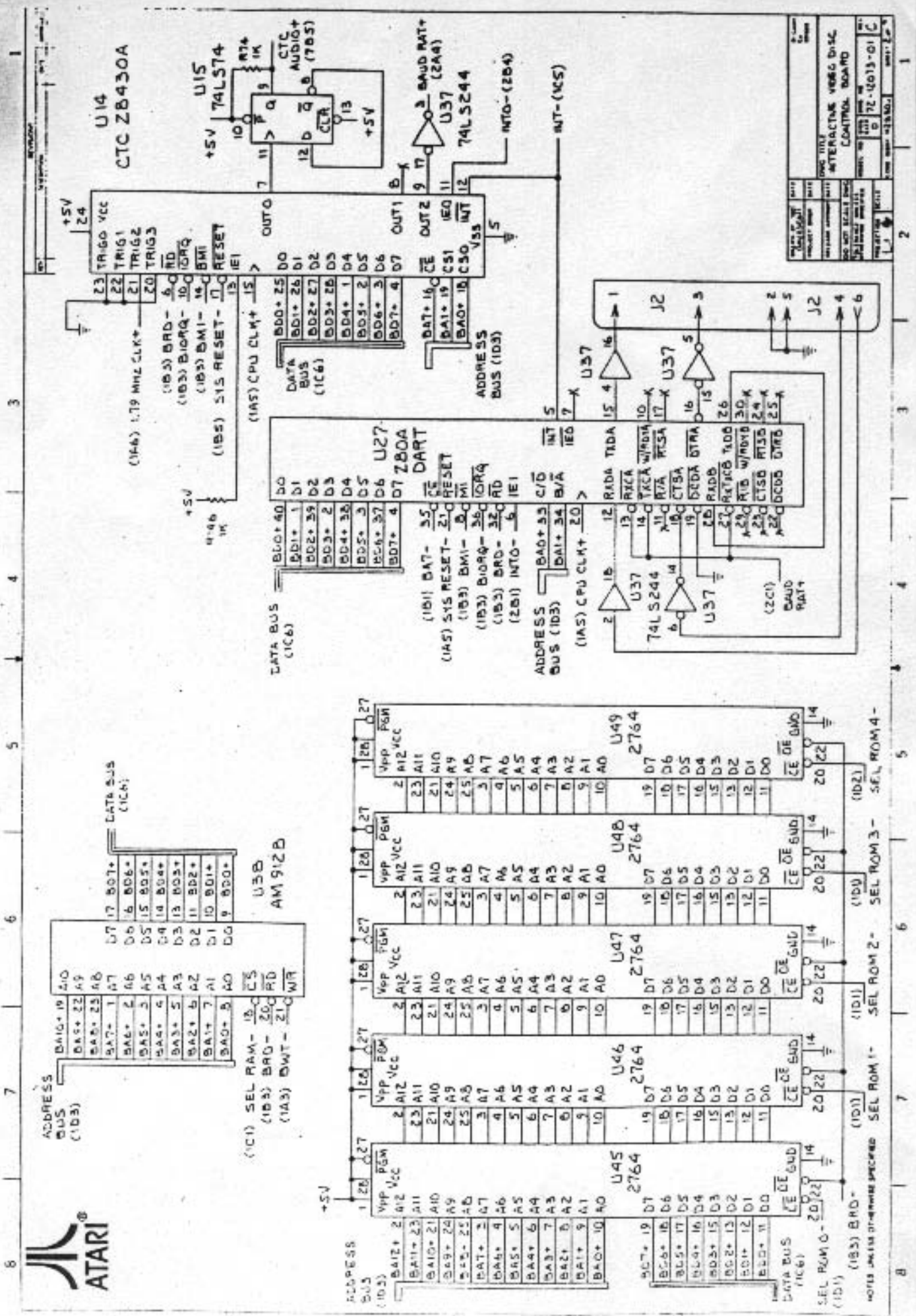
PREVENTIVE MAINTENANCE:-

- 1/. Open disk player drawer.
- 2/. Remove filter at rear of drawer. Shake filter till free of dust. Replace filter.
- 3/. Release draw latch on player securing bracket. Remove securing bracket. (Easiest if drawer is partially in).
- 4/. With game powered up, press "OPEN" button on front of Player. Within 10 seconds the lid will open automatically allowing access to the video disk.
- 5/. When player door is open turn power OFF at switch on rear panel of game cabinet.
- 6/. Carefully remove the disk and dust it with a clean, lint-free, 100% cotton cloth. If necessary, the cloth may be dampened slightly with water. DO NOT use any form of abrasive cleaner, alcohol or other solvent.
- 7/. With playing surface facing downwards, replace disk and press it gently onto centre spindle.
- 8/. Close lid of player.
- 9/. Replace securing bracket.
- 10/. Gently close and secure drawer.
- 11/. Turn power ON.

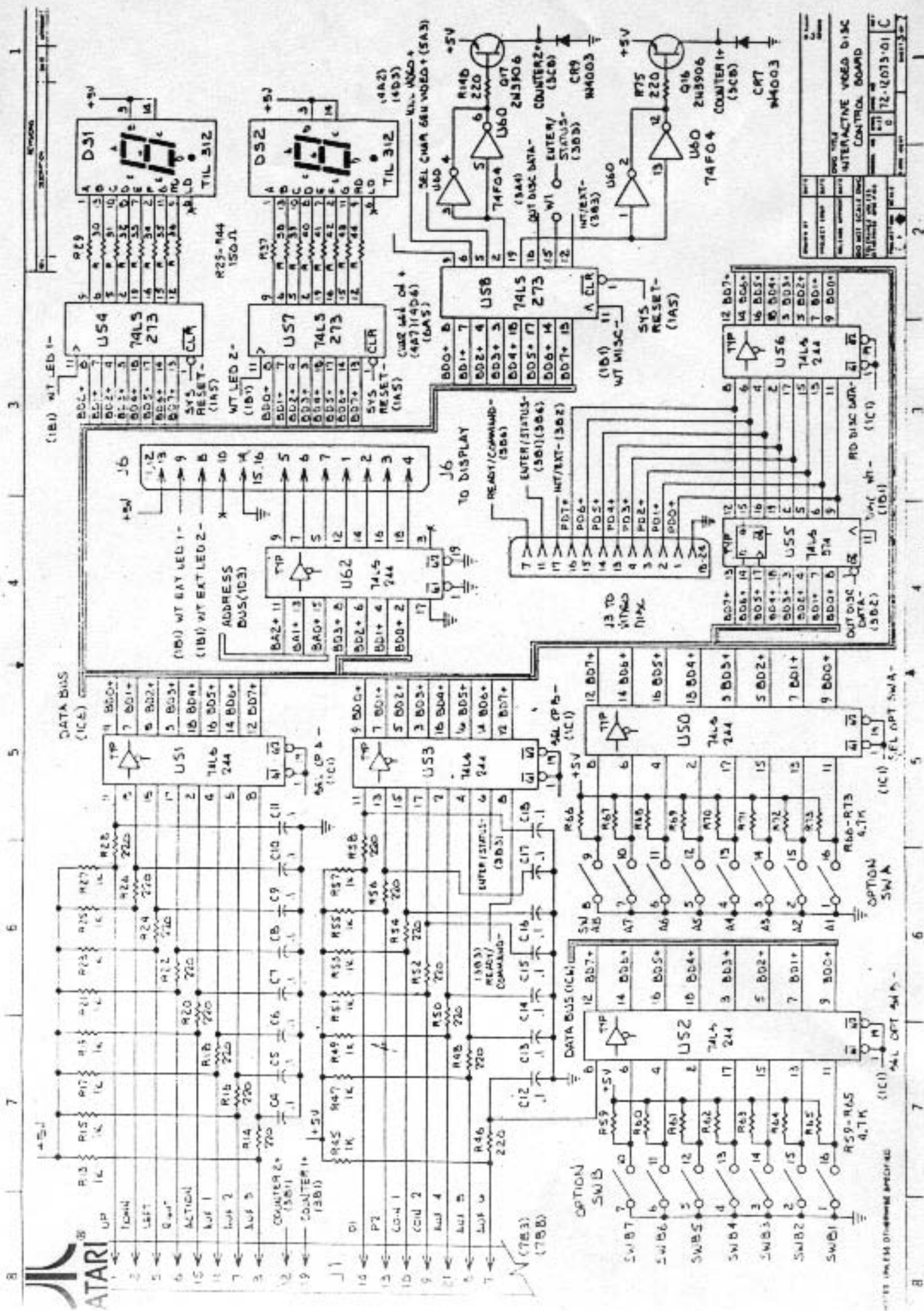


Part No.	72-12013-01
Rev.	0
Quantity	1
Unit Price	
Total Price	
Notes	

NOTES: UNLESS OTHERWISE SPECIFIED

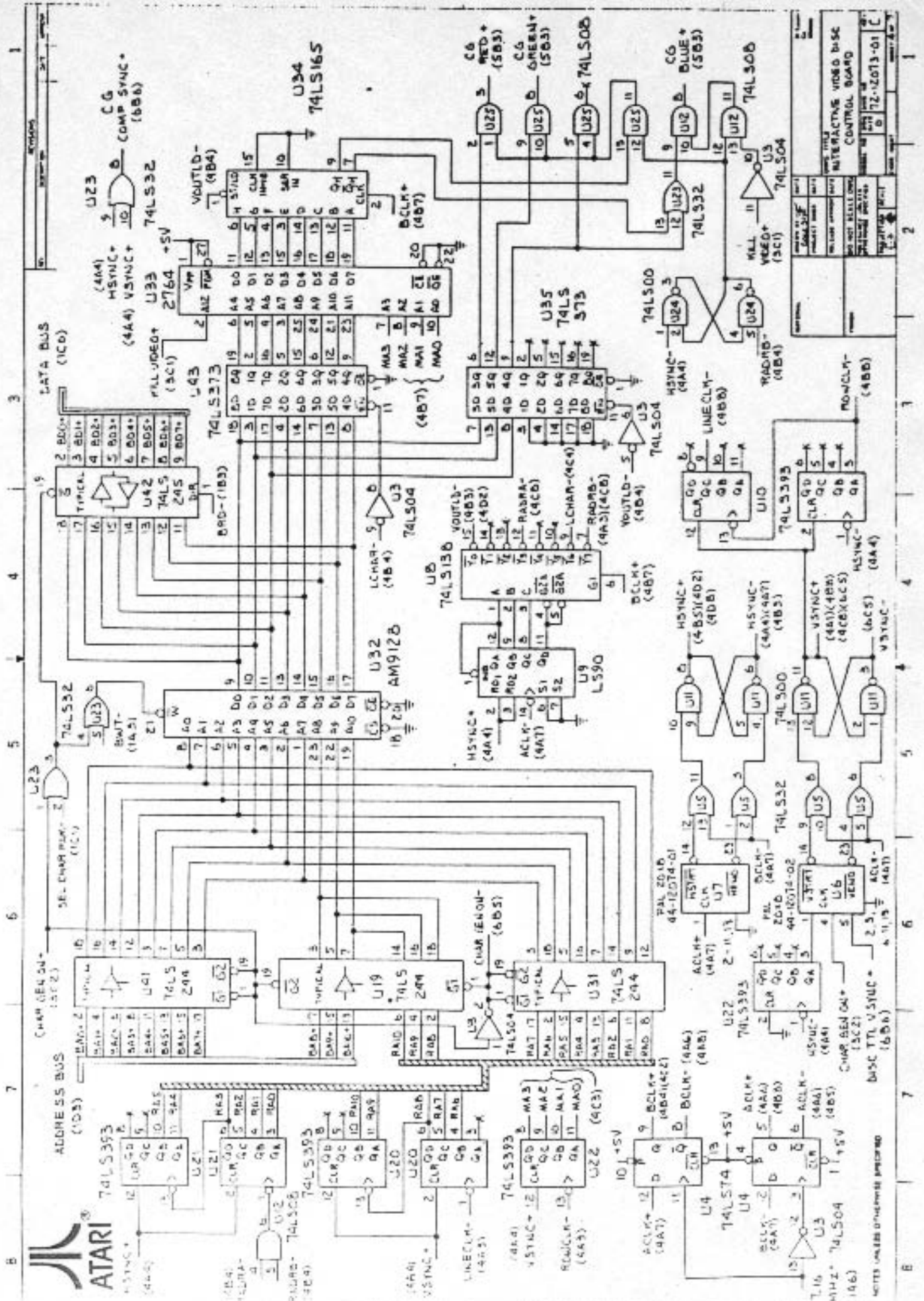


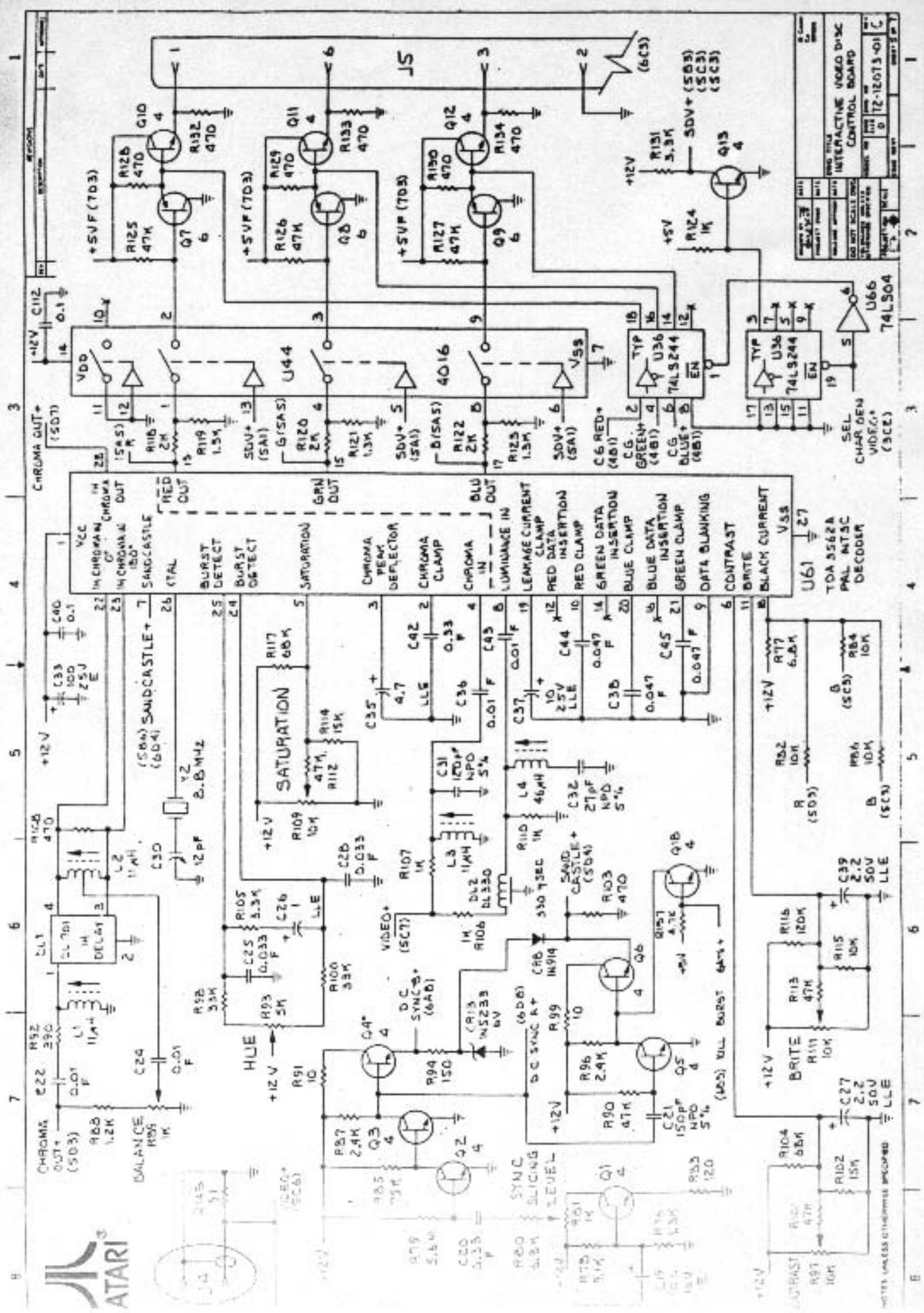
DATE	
DESIGNED BY	
CHECKED BY	
APPROVED BY	
REVISIONS	
NO. OF SHEETS	
TOTAL SHEETS	
PROJECT NAME	ATARI 2600 CONTROL BOARD
DRAWING NO.	72-0013-01 C
SCALE	1:1
DATE	



Part	Value	Quantity
IC1	74LS163	1
IC2	74LS04	2
IC3	74LS00	1
IC4	74LS08	1
IC5	74LS145	2
IC6	74LS147	1
IC7	74LS190	1
IC8	74LS04	1
IC9	74LS08	1
IC10	74LS00	1
IC11	74LS08	1
IC12	74LS00	1
IC13	74LS08	1
IC14	74LS00	1
IC15	74LS08	1
IC16	74LS00	1
IC17	74LS08	1
IC18	74LS00	1
IC19	74LS08	1
IC20	74LS00	1
IC21	74LS08	1
IC22	74LS00	1
IC23	74LS08	1
IC24	74LS00	1
IC25	74LS08	1
IC26	74LS00	1
IC27	74LS08	1
IC28	74LS00	1
IC29	74LS08	1
IC30	74LS00	1
IC31	74LS08	1
IC32	74LS00	1
IC33	74LS08	1
IC34	74LS00	1
IC35	74LS08	1
IC36	74LS00	1
IC37	74LS08	1
IC38	74LS00	1
IC39	74LS08	1
IC40	74LS00	1
IC41	74LS08	1
IC42	74LS00	1
IC43	74LS08	1
IC44	74LS00	1
IC45	74LS08	1
IC46	74LS00	1
IC47	74LS08	1
IC48	74LS00	1
IC49	74LS08	1
IC50	74LS00	1
IC51	74LS08	1
IC52	74LS00	1
IC53	74LS08	1
IC54	74LS00	1
IC55	74LS08	1
IC56	74LS00	1
IC57	74LS08	1
IC58	74LS00	1
IC59	74LS08	1
IC60	74LS00	1
IC61	74LS08	1
IC62	74LS00	1
IC63	74LS08	1
IC64	74LS00	1
IC65	74LS08	1
IC66	74LS00	1
IC67	74LS08	1
IC68	74LS00	1
IC69	74LS08	1
IC70	74LS00	1
IC71	74LS08	1
IC72	74LS00	1
IC73	74LS08	1
IC74	74LS00	1
IC75	74LS08	1
IC76	74LS00	1
IC77	74LS08	1
IC78	74LS00	1
IC79	74LS08	1
IC80	74LS00	1
IC81	74LS08	1
IC82	74LS00	1
IC83	74LS08	1
IC84	74LS00	1
IC85	74LS08	1
IC86	74LS00	1
IC87	74LS08	1
IC88	74LS00	1
IC89	74LS08	1
IC90	74LS00	1
IC91	74LS08	1
IC92	74LS00	1
IC93	74LS08	1
IC94	74LS00	1
IC95	74LS08	1
IC96	74LS00	1
IC97	74LS08	1
IC98	74LS00	1
IC99	74LS08	1
IC100	74LS00	1







Part No.	Quantity	Notes
74LS04	1	
TOA 3562A	1	

INTERACTIVE VIDEO DISC CONTROL BOARD

ATARI

REV. 1.0

DATE: 12-18-83

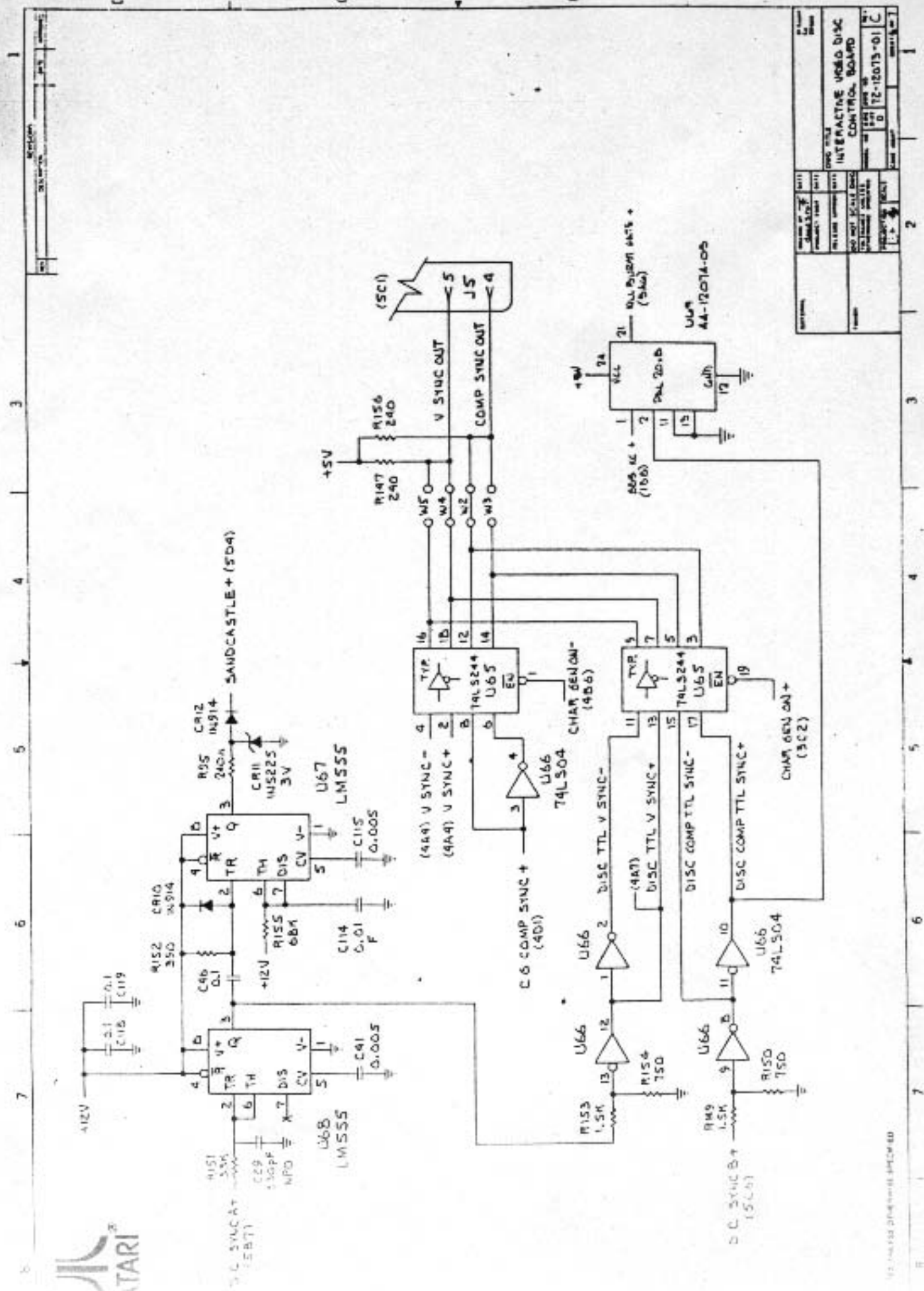
DESIGNED BY: [Name]

CHECKED BY: [Name]

APPROVED BY: [Name]

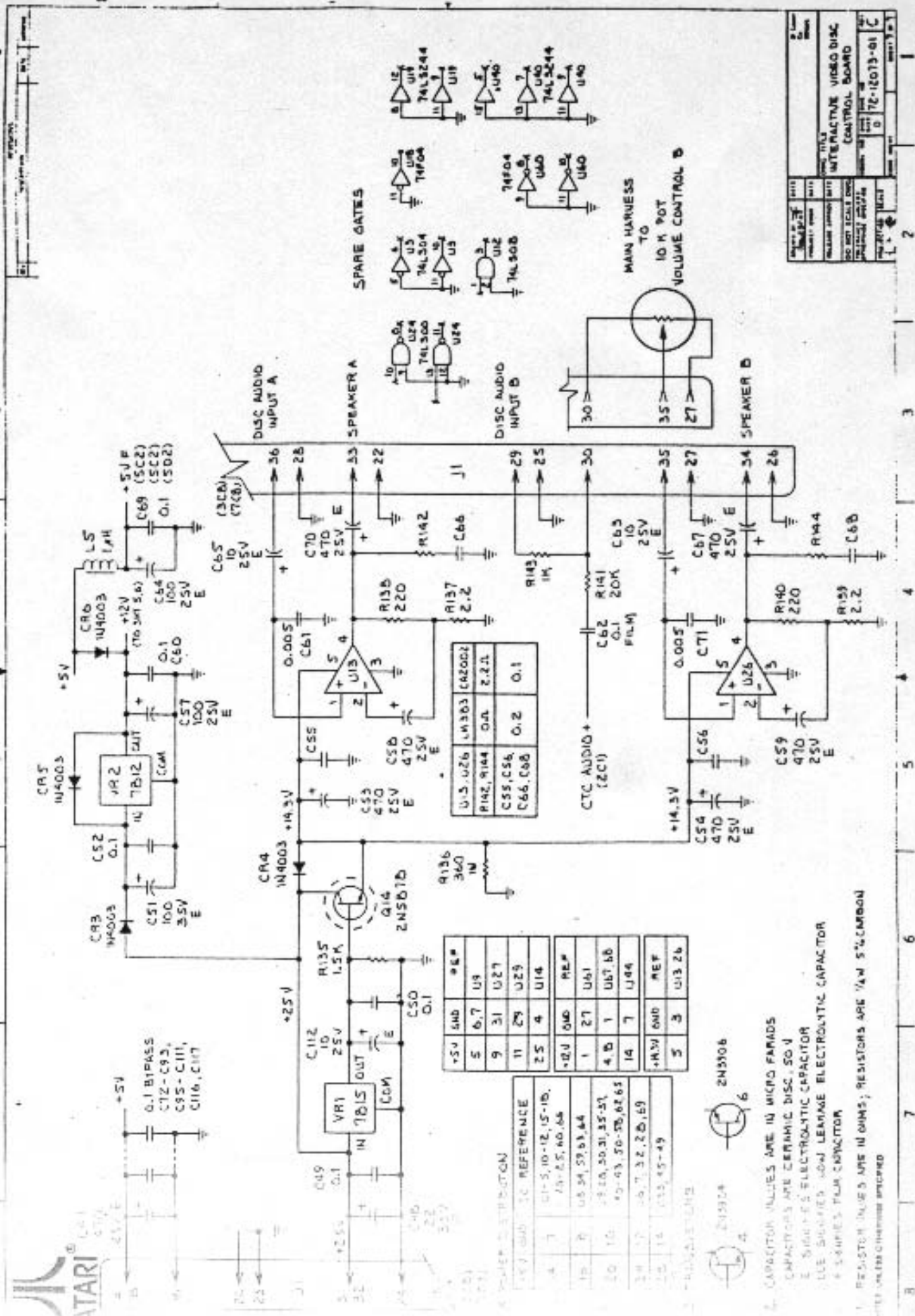
PRODUCTION BY: [Name]

NOTES: UNLESS OTHERWISE SPECIFIED



REV	DATE	BY	CHKD
001	12-12-73	01	C
002			
003			
004			
005			
006			
007			
008			
009			
010			
011			
012			
013			
014			
015			
016			
017			
018			
019			
020			
021			
022			
023			
024			
025			
026			
027			
028			
029			
030			
031			
032			
033			
034			
035			
036			
037			
038			
039			
040			
041			
042			
043			
044			
045			
046			
047			
048			
049			
050			
051			
052			
053			
054			
055			
056			
057			
058			
059			
060			
061			
062			
063			
064			
065			
066			
067			
068			
069			
070			
071			
072			
073			
074			
075			
076			
077			
078			
079			
080			
081			
082			
083			
084			
085			
086			
087			
088			
089			
090			
091			
092			
093			
094			
095			
096			
097			
098			
099			
100			





+5V SMD REFERENCE	
5	6.7 U9
9	31 U27
11	29 U25
25	4 U14

+12V SMD REFERENCE	
1	27 U61
4	10 U17, U8
14	7 U44

+14.3V SMD REFERENCE	
5	3 U13, U6

1. CAPACITOR VALUES ARE IN MICRO FARADS
2. CAPACITORS ARE CERAMIC DISC .50 V
3. SMD'S ARE ELECTROLYTIC CAPACITOR
4. ALL SMD'S ARE NON LEAD ELECTROLYTIC CAPACITOR
5. SMD'S ARE 0805
6. RESISTOR VALUES ARE IN OHMS, RESISTORS ARE 1/4W 5% CARBON

DATE	REV	BY	CHK

ATARI INTERACTIVE VIDEO DISC CONTROL BOARD

DO NOT SCALE DIMENSIONS

DATE: 7C-12073-01 C

REV: 1

2.0 INTERFACE

2.1 INTRODUCTION

The IVDBC is intended for use in a variety of configurations. Therefore, not all of the interfaces described here would be used in a specific application.

2.2 CIRCUIT BOARD CONNECTORS

<u>Reference Designator</u>	<u>Description</u>	<u>Mating Connector</u>
J1	36-Pin Control Panel inputs, coin acceptor switch inputs, coin counter outputs, DC power input, audio input, volume control and audio output	Molex Shell Order #03-06-1362 Molex Pin Model #4529 or #4559 (female)
J2	6-Pin serial, video disc player interface - serial send, receive and handshaking	Molex Shell Order #03-09-2062 Molex Pin Model #1190, 1380, 2870 or 1434 (male)
J3	24-Pin Parallel video disc player interface, - 8-bit data and handshaking.	Amphenol Type 24
J4	Composite video input from video disc player	BNC
J5	6-Pin RGB output to monitor	Molex Shell Order #03-09-1063 Molex Pin Model #1189, 1381, 2871 or 1433

2.2 CIRCUIT BOARD CONNECTORS (cont'd)

Reference Designator	Description	Mating Connector
J5 (cont'd)		(Female Pin 1-5) Molex Pin Model #1190, 1380, 2870 or 1434 (Male - Pin 6 only)
J6	16-Pin General Output	16-Pin ribbon cable

2.3 CONNECTOR PINNING

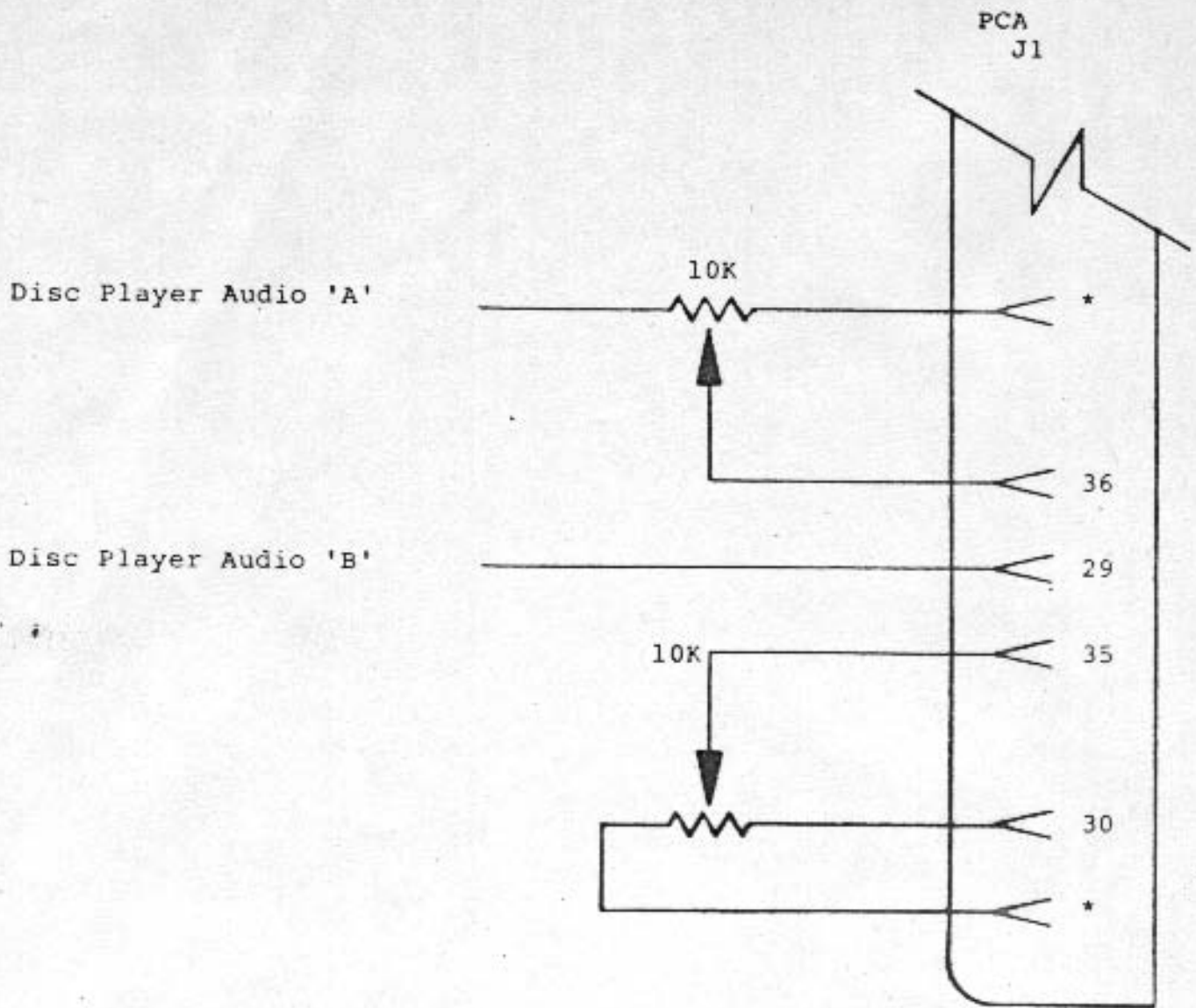
Connector	Pin #	Function
J1	1	Joystick - up
	2	Joystick - down
	3	Not used
	4	+5V @ 2A supply
	5	Joystick - left
	6	Joystick - right
	7	Not used
	8	+5V @ 2A supply
	9	Right coin acceptor switch
	10	Left coin acceptor switch
	11	Not used
	12	Coin counter - right
	13	Two player start switch
	14	One player start switch
	15	Action Switch
	16	5V supply return
	17	Not used
	18	Not used
	19	Coin counter - left
	20	Ground (common)
	21	Not used
	22	Ground (common)
	23	Ground (common)
	24	Ground (common)
	25	Ground (common)
	26	Ground (common)
	27	Ground (common)
	28	Ground (common)
	29	Video disc audio input - 1
	30	Volume control output - 1
	31	+25V @ 2A supply
	32	+25V @ 2A supply
	33	Speaker A-output
	34	Speaker B-output
	35	Volume control wiper - B
	36	Video disc audio input - 2

* See Audio/Volume Control Diagram

2.3 CONNECTOR PINNING (cont'd)

Connector	Pin #	Function
J2	1	Serial data to player
	2	Signal ground
	3	DTR to disc player
	4	CTS from disc player
	5	Signal ground
	6	Serial data from player
J3	1	Data Bit 0
	2	Data Bit 1
	3	Data Bit 2
	4	Data Bit 3
	5	Not used
	6	Not used
	7	Ready
	8	Not used
	9	Not used
	10	Not used
	11	Enter
	12	Not used
	13	Data Bit 4
	14	Data Bit 5
	15	Data Bit 6
	16	Data Bit 7
	17	Int/Ext
	18	Ground
	19	Ground
	20	Ground
	21	Ground
	22	Ground
	23	Ground
	24	Ground
J4	1	Signal - composite video
	2	Ground
J5	1	Red output
	2	Ground
	3	Blue output
	4	Comp Sync output
	5	V Sync output
	6	Green output
J6	1	Data Bit 3
	2	Data Bit 2
	3	Data Bit 1
	4	Data Bit 0
	5	Address Bit 2
	6	Address Bit 1
	7	Address Bit 0
	8	Decoding Bit 2
	9	Decoding Bit 1
	10	Not used
	11	+5V output
	12	+5V output
	13	+5V output
	14	Ground
	15	Ground
	16	Ground

2.4 VOLUME CONTROL SCHEME



* Any ground (common)

SIZE A	DRAWING NUMBER	
SCALE		SHEET

2.5 Power Supply Requirements

Two voltages are required:

+5VDC @ 2 amps regulated ±5%

+25VDC @ 1.3 amps unregulated

3.0 SYSTEM OPERATION

3.1 Initialization

The system is initialized whenever power is cycled or the reset switch (S1) is depressed.

3.2 Options

Two banks of eight switches each, SWA and SWB are used to select various coinage and game play options. These switches are read only immediately after system reset. Modifying the switch settings has no effect until system reset occurs.

3.2.1 Coinage/Credit Options

Two independent coin acceptor switch/coin counter combinations have been provided for coin/credit ratios which are determined for the left and right coin acceptors by SWA and SWB respectively. Program logic requires that the number of coins for a slot be detected before credits are incremented. Credits are incremented by the amount selected.

3.2.1.1 Left Slot

Coins:

<u>SWA-1</u>	<u>SWA-2</u>	<u>SWA-3</u>	
Off	Off	Off	= Freeplay
On	Off	Off	= 1 coin
Off	On	Off	= 2 coins
On	On	Off	= 3 coins
Off	Off	On	= 4 coins
On	Off	On	= 5 coins
Off	On	On	= 6 coins
On	On	On	= 7 coins

3.2.1.1 Left Slot (cont'd)

Credits:

<u>SWA-4</u>	<u>SWA-5</u>	<u>SWA-6</u>	
Off	Off	Off	= slot disabled
On	Off	Off	= 1 credit
Off	On	0	= 2 credits
On	On	Off	= 3 credits
Off	Off	On	= 4 credits
On	Off	On	= 5 credits
Off	On	On	= 6 credits
On	On	On	= 7 credits

3.2.1.2 Right Slot

Coins:

<u>SWB-1</u>	<u>SWB-2</u>	<u>SWB-3</u>	
Off	Off	Off	= Freeplay
On	Off	Off	= 1 coin
Off	On	Off	= 2 coins
On	On	Off	= 3 coins
Off	Off	On	= 4 coins
On	Off	On	= 5 coins
Off	On	On	= 6 coins
On	On	On	= 7 coins

Credits:

<u>SWB-4</u>	<u>SWB-5</u>	
Off	Off	= slot disabled
On	Off	= 1 credit
Off	On	= 2 credits
On	On	= 3 credits

3.2.2 Lives per Game

SWB-6

Off	3 lives per game
On	5 lives per game

3.2.3 Power-up Diagnostics

SWB-7

Off	Disabled **
On	Enabled

3.2.3 Difficulty

SWA-7

SWA-8

Off	Off	Easy **
On	Off	Intermediate
Off	On	Hard
On	On	Very hard

NOTE:-

Set option switch SWB-8 to OFF before entering diagnostic mode. This disables the watchdog timer.

** Atari recommended setting.

4.3 POWER-UP DIAGNOSTICS

LED display DS1 is used as an indicator for the power-up diagnostics. As each portion of the diagnostic is run, an identifying number is displayed as follows:

- 1 - CPU test
- 2 - ROM test
- 3 - RAM test
- 4 - Display memory test
- 5 - CTC test
- 6 - DART test

Where there is a diagnostic failure, the display will freeze with the number of the test which failed.

During normal game play, DS1 and DS2 are driven by the 10 msec and 5 msec system interrupts and will flicker accordingly.

Eurolair Option Switch Diagram

Left Slot Coins:

SWA-1	SWA-2	SWA-3	
Off	Off	Off	= freeplay
On	Off	Off	= 1 coin
Off	On	Off	= 2 coins
On	On	Off	= 3 coins
Off	Off	On	= 4 coins
On	Off	On	= 5 coins
Off	On	On	= 6 coins
On	On	On	= 7 coins

Right Slot Coins:

SWB-1	SWB-2	SWB-3	
Off	Off	Off	= freeplay
On	Off	Off	= 1 coin
Off	On	Off	= 2 coins
On	On	Off	= 3 coins
Off	Off	On	= 4 coins
On	Off	On	= 5 coins
Off	On	On	= 6 coins
On	On	On	= 7 coins

Left Slot Credits:

SWA-4	SWA-5	SWA-6	
Off	Off	Off	= slot disabled
On	Off	Off	= 1 credit
Off	On	Off	= 2 credits
On	On	Off	= 3 credits
Off	Off	On	= 4 credits
On	Off	On	= 5 credits
Off	On	On	= 6 credits
On	On	On	= 7 credits

Right Slot Credits:

SWB-4	SWB-5	
Off	Off	= slot disabled
On	Off	= 1 credit
Off	On	= 2 credits
On	On	= 3 credits

Game Difficulty Level:*

SWA-7	SWA-8	
Off	Off	= Easy
On	Off	= Intermediate
Off	On	= Hard
On	On	= Very Hard

Lives Per Game:

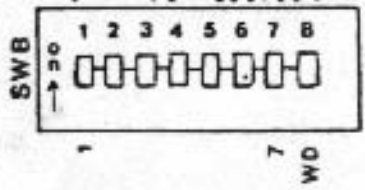
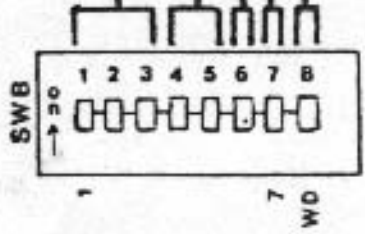
SWB-6	
Off	= 3 lives per game
On	= 5 lives per game

Enable Power-up Diagnostics:

SWB-7	
On	= Enable Diagnostics at Power-up
Off	= Disable Diagnostics

Watchdog Timer Enable:

SWB-8	
On	= Enable Watchdog Timer
Off	= Disable Watchdog Timer



* Difficulty shifts to the next higher level after surviving 5 consecutive rooms (1 shift per game)