

# HUSTLE

MANUFACTURED BY

**Gremlin**  
Industries, inc.

## OWNER'S MANUAL

HUSTLE  
OPERATING INSTRUCTIONS  
AND  
SERVICE MANUAL

GREMLIN INDUSTRIES, INC.  
8401 Aero Dr.  
San Diego, CA. 92123  
June 30, 1977

# "HUSTLE"

## TABLE OF CONTENTS

### I. GENERAL INFORMATION

|                                |        |
|--------------------------------|--------|
| Introduction -----             | Page 1 |
| Important Notes-----           | Page 2 |
| Warranty/Factory Service ----- | Page 3 |
| Repackaging -----              | Page 4 |
| Repackaging Diagram -----      | Page 5 |

### II. OPERATION

|   |         |
|---|---------|
| Game Concept -----                        | Page 6  |
| Operator Options -----                    | Page 9  |
| Free Game Option Diagram -----            | Page 11 |
| System Description -----                  | Page 12 |
| System Block Diagram -----                | Page 14 |
| Character Generation Circuitry Diagram -- | Page 15 |
| Tone Generator Diagram -----              | Page 16 |

### III. MAINTENANCE

|                                    |         |
|------------------------------------|---------|
| Factory Assistance/Equipment ----- | Page 17 |
| Symptoms/Causes -----              | Page 18 |
| Key Waveforms Diagram -----        | Page 21 |
| Character Code Table -----         | Page 22 |
| Parts List -----                   | Page 24 |
| Schematics -----                   | Page 28 |
| Motorola 19" Service Manual -----  | Page 31 |

## INTRODUCTION

HUSTLE is an electronic game that makes extensive use of digital integrated circuitry and television monitor circuitry. This manual assumes the maintenance technician possesses a general knowledge of solid state circuitry, TTL digital integrated circuitry and T.V. monitor concepts. Any individual NOT knowledgeable in these areas SHOULD NOT attempt repair of the electronic portion of this game. IT SHOULD BE NOTED THAT ANY ATTEMPT TO REPAIR THE GAME IN THE FIELD WITHOUT THE EXPRESS CONSENT OF THE FACTORY WILL IMMEDIATELY VOID THE WARRANTY!!!

### IMPORTANT NOTES:

- |                |  |
|----------------|--|
| NEVER          | replace any components with anything other than exact replacement parts. (See Parts List located on Service Schematics.)   |
| NEVER          | remove circuit boards/connections while power is on.   |
| DO NOT         | replace the fuse with anything other than the proper value. A blown fuse indicates an overload condition within the game. Replacing the fuse with a higher value can cause severe damage to internal components if an overload occurs. |
| ALWAYS         | consult the manual before attempting repairs.  |
| CORRESPONDENCE | regarding this game should be addressed to:  |

GREMLIN INDUSTRIES, INC.  
8401 Aero Drive  
San Diego, California 92123  
(714) 277-8700

## IMPORTANT NOTES

An important service note is posted in the HUSTLE game and is repeated here for emphasis:

IF AT ANY TIME THE T.V. SCREEN SHOWS A MEANINGLESS DISPLAY OR THE GAME OTHERWISE MALFUNCTIONS, SIMPLY DROP A COIN INTO THE COIN MECHANISM. THIS SHOULD CORRECT THE PROBLEM. IF NOT, THE GAME REQUIRES SERVICE.

The circuitry in HUSTLE has been arranged so that the insertion of a quarter through the coin mechanism will reset the system. This clears up temporary problems caused by power line disturbances, static, etc.

### SERVICE TECHNICIAN NOTE:

The system reset circuitry described above requires that the coin counter is attached to the system. If there is a coin counter problem and no replacement is available, the game will function properly if a 10K Ohm resistor is connected across the coin counter pins to the video logic board.

## WARRANTY/FACTORY SERVICE INFORMATION

**WARRANTY** HUSTLE is under factory warranty (parts and labor) for the following time periods:

All electronic components/connectors for one (1) year except:

1. Transformers - 90 days
2. Fuses/Lamps - No Warranty

The Warranty covers defects/failure under normal use.

### **FACTORY SERVICE**

Should an assembly become defective, contact your local distributor. Factory authorization to return the assembly will be issued with transportation charges prepaid. If decided upon by factory representative, an advance replacement will be made. No merchandise may be returned to the factory without prior authorization.

The assembly will be repaired and returned, transportation charges prepaid, if still in Warranty and no advance replacement made.

If the assembly is found to be damaged by misuse, improper attempts at repair, or abuse, it will be repaired and returned with transportation and repair charges billed.

Out of Warranty assemblies, if returned to the factory with transportation charges prepaid, will be repaired and returned with transportation and repair charges billed.

In the instance of a defect of an assembly manufactured by other than GREMLIN INDUSTRIES, INC., every effort will be made to assist the customer in obtaining satisfaction from the original manufacturer.

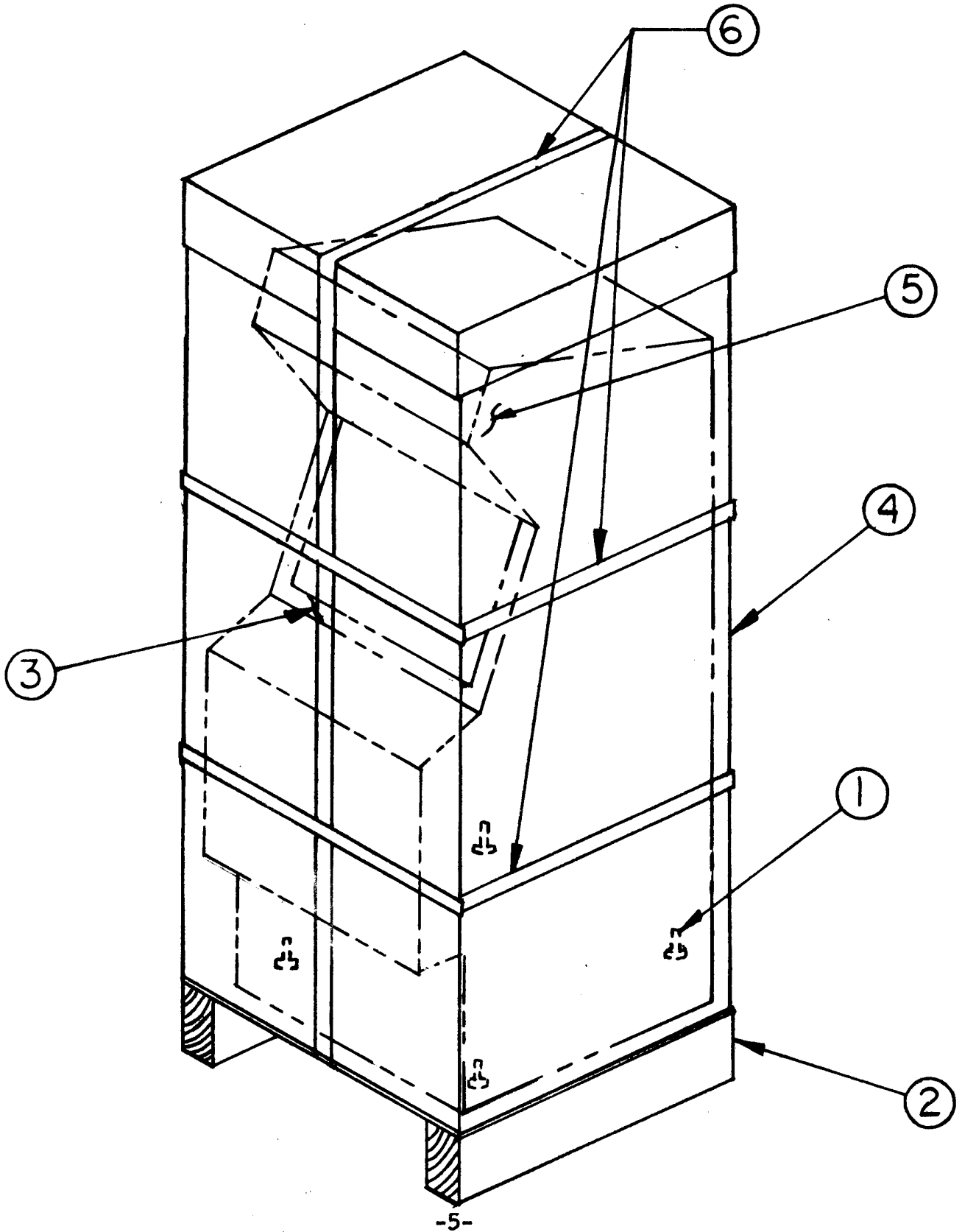
## REPACKAGING INSTRUCTIONS

Should it be necessary to ship this game, the following instructions are provided for game crating.

- A) If the original shipping bolts (REF 1) have been discarded, obtain four 5/16-18 x 1 3/4 hex head bolts with 5/16 flat washer. Lay game on its side and attach skid (REF 2).
- B) Place game upright. Tape game keys to upper flange of operator's panel (REF 3). Crate the game using appropriate shock-absorbent packing material (REF 4). Include padding on all four corners of the game (REF 5).
- C) After crating is completed, secure package with strapping (REF 6).

NOTE: If the game is to be shipped to GREMLIN INDUSTRIES for service or repair, attach a tag identifying the distributor and indicate the service or repair to be accomplished; include the full serial number of the game.

# REPACKAGING INSTRUCTIONS





## GAME CONCEPT

### HUSTLE

HUSTLE is a one or two player video game which challenges players' reaction time as they attempt to build up a high score. The object of the game is to maneuver a moving arrow into targets which appear randomly on the screen. Each arrow is accompanied by a "tail", which can be used to block the opponent from scoring targets.

### TARGETS -

The targets appear randomly on the playfield. The position of a target, the value of a target, the time a target stays on the screen, and the time before a target appears are all unpredictable. There are never more than two targets on the screen at any time.

To add to the unpredictability, some targets appear with a value of "???". These are mystery targets, and can have a value from -900 points to +900 points. Players go after the mystery targets at their own risk since the only way to determine whether or not a mystery target is positive or negative is to hit the target. Whenever a target is scored, the game pauses while the appropriate player's score is tallied. Two distinctive sounds accompany the scoring, depending on whether the target score is positive or negative. All non-mystery targets (which are all positive), and all mystery targets (which have positive values) are scored with an attention-getting "warble" sound. All mystery targets which prove to be negative are scored with a distinctive "penalty" sound.

### CRASHES -

A crash (accompanied by a loud boom sound) occurs whenever a player hits anything other than a target. The three obstacles a player might hit are one of the screen boundaries, the other player's tail, or his own tail. Whenever a crash occurs, the opponent scores 400 points PLUS all target values on the screen. If any mystery targets are on the screen during a crash, their values are revealed, and they are awarded to the opponent. All mystery targets whose values are revealed as the result of a crash are scored positive for the opponent.

### GAME SPEED -

The game begins with the players moving at a moderate pace. Every time a target is scored, the pace picks up slightly. After ten targets have been scored without a crash, the pace stays at a maximum rate. Whenever a crash occurs, the pace reverts to its initial moderate value, and increases with each score, as before.

## GAME CONCEPT (Cont'd.)

### TAIL LENGTH -

Whenever a crash occurs, both players' tails grow longer. The game plays quite differently as it progresses. At the beginning of a game, both players have short tails and are highly maneuverable. At this stage the game is a "foot race" to score the targets. As players crash and tails get longer, a blocking strategy is added to the race for the targets. This constantly changing nature of the game is designed to provide long-lasting appeal, and insure a long earning history.

### SINGLE PLAYER -

HUSTLE has been designed to be just as exciting for one player as it is for two. A single player plays against himself, and not against "the computer".

The single player game is initiated by simply pressing the ONE PLAYER START button instead of the TWO PLAYER START button after inserting a coin. The controls for one player are located on the right side of the control panel. The game plays the same as for two players, with these exceptions:

1. There is a single arrow and tail, instead of two.
2. Crashes are scored as PENALTY points, with the same score as in the two player game. That is, a crash scores 400 plus all on-screen targets into the PENALTY score.
3. At the end of the game, the PENALTY points are subtracted from the player's score.

The object of the single player game is to rack up as many points as possible. The game action is the same as the two player game, with the lengthening tail and the accelerating pace.

### FREE GAMES -

For areas of the country where free games are legal, HUSTLE can be set to award free games for scores of 11,000; 13,000; 15,000 or 17,000 points. The game is shipped with the free game option disabled. If free games are legal in your area, it is highly recommended that you enable them---they provide an extremely powerful incentive to play the game, and thus increase your earnings.

Free games are awarded only in the single player game, since the two player game could give free games any time two players cooperated to give one of the players a very high score.

It is not possible to win two free games in a row (i.e. no free games on free games).

## GAME CONCEPT (Cont'd.)

### FREE GAMES - (Cont'd.)

Whenever free games are enabled, the message "SCORE XX000 POINTS FOR FREE GAME" appears on the screen just after the ONE PLAYER START button is pressed. The XX will be 11, 13, 15, or 17 depending on how you jumper the game (see OPERATING INSTRUCTIONS). This message is displayed for about 5 seconds, and then the single player game begins. Whenever a free game is won, the message FREE GAME! is momentarily displayed on the screen, followed by the message PRESS START. If at this point ONE PLAYER START is pressed, the free game score message will not be displayed before the game starts, since a second consecutive free game will not be awarded. It is also possible to press the TWO PLAYER START after a free game is awarded and play a two player game.

### GAME TIME -

The top margin of the game contains the word TIME, with a two digit timer above it. The game starts with a time value of 90, and decrements to 0, at which time the game is over. The timer actually counts player moves rather than "ticking" once per second. Also, the timer stops during all scoring. These effects produce a repeatable game time of about 2 minutes.

It is possible to shorten the game time to about 1-1/2 minutes by changing an internal jumper. In this case, the timer still begins at 90, but it "ticks" faster.

### COINS -

HUSTLE is set to play either the one or two player game for a single coin (both games take approximately the same time). An internal option allows game play for two coins, three coins or four coins. If this option is enabled, the message "MORE COINS" appears each time a coin is inserted, until the proper number is inserted. At this time, the message "PRESS START" appears. Our location tests indicate that the single coin mode (as shipped) will maximize your income, so no adjustment should be necessary.

### ANTI-CHEAT -

HUSTLE contains a feature which will not give game credits if the coin switch is manually depressed, or if the coin door is slammed. In checking out the game, you must actually insert a coin to get things started--flicking the coin switch will not always start the game.

## OPERATOR OPTIONS

HUSTLE is shipped with the following preset options:

1. FREE GAME option disabled.
2. Game length approximately 2 minutes.
3. One coin per play.

If free games are legal in your area, it is highly recommended that the game be set for free games. A single jumper inside the game sets the free game score at 11,000; 13,000; 15,000 or 17,000 points.

Our location tests indicate that most games should initially be set at 11,000 or 13,000. It is a good idea to start with 11,000, and after 1-2 weeks, increase to 13,000. Only in high skill areas such as college recreation areas should the free game score be set for 15,000. 17,000 should be used only if the game has been mastered by many people.

DO NOT set the free game score too high to start--this will turn off many beginning players.

To enable free game option diagram, follow these instructions:

1. Disconnect power and remove the back from the game.
2. Locate the large printed circuit board (mounted on the horizontal shelf).
3. At the rear of the circuit board is a row of connectors. These connectors are arranged in four groups of ten pins. The right hand connector has no receptacle on it--only ten pins with a wire jumper. This jumper sets the free game option as shown in the figures in Diagram #2.

## OPERATOR OPTIONS (Contd.)

4. Remove the jumper from pin 1 and plug it into pin 7, 8, 9, or 10, depending on the desired free game score. To disable free games, place the jumper on pin 1.

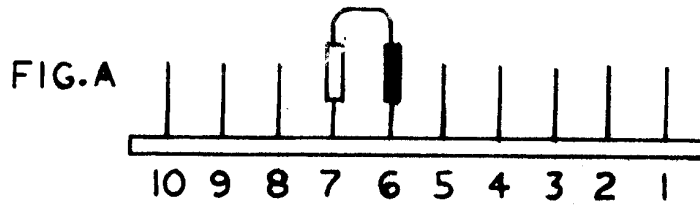
The game length and number of coins per play are jumpered in a similar manner. For details refer to the cabinet wiring schematic at the rear of the manual. The jumper wires required to activate these options are taped to the appropriate connector harnesses.

Whenever HUSTLE is not being played, an advertisement sequence is initiated. Targets continuously appear and disappear from the screen to attract attention. To avoid patron confusion, the words "Game Over" appear while the advertising is in progress.

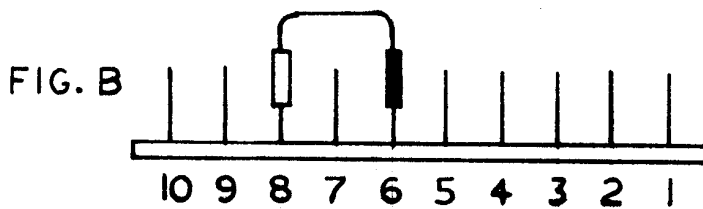
E-Z Adjust<sup>tm</sup> Control Panel - HUSTLE has one adjustment which is located on the back of the coin door:

VOLUME CONTROL - Set to desired volume for boom and tones during the game.

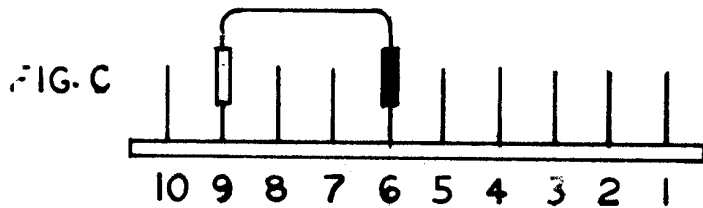
# FREE GAME OPTION DIAGRAM



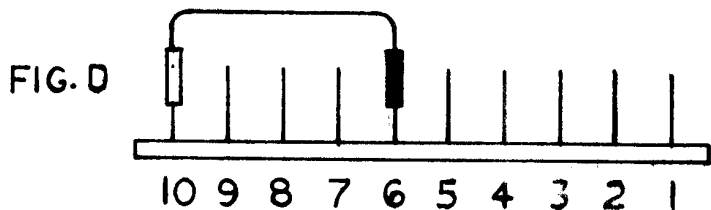
FREE GAME  
AT 17,000 POINTS



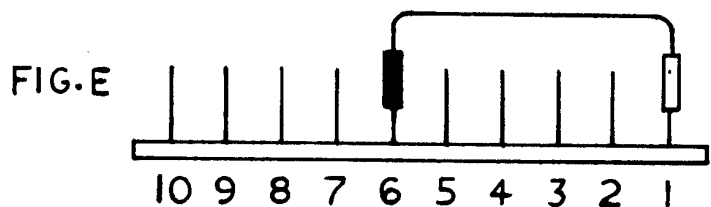
FREE GAME  
AT 15,000 POINTS



FREE GAME  
AT 13,000 POINTS



FREE GAME  
AT 11,000 POINTS



NO FREE GAMES

## SYSTEM DESCRIPTION

1. SEE SYSTEM BLOCK DIAGRAM (Fig. 3)

2. MICROPROCESSOR -

The game microprocessor is a Model 8080A and it functions as the Central Processing Unit (CPU) in the system. The CPU (1) is synchronized by a clock circuit which provides frequencies required by the CPU and the Video Timing Logic (14).

Address Bus (4) selects the memory addresses to be accessed by the CPU. It is routed to three subsystems:

1. Read Write Memory (6): A random Access Memory (RAM) used to form a first in/last out (stack) memory. Used to perform subroutine calls and returns, also used for temporary data storage during program execution.
2. Read Only Memory (ROM) (7): Stores program instructions for the CPU.
3. Address Multiplexer (8): Selects either CPU addresses or addresses from the Video Timing Logic. Used to address the Video Refresh Memory (9).

Data Bus (5) carries data to and from the CPU. It receives data from Read Write Memory, Read Only Memory, Video Refresh Memory and Input Ports (12). The Bus transmits data to Read Write Memory, Output Ports and Video Refresh Memory. The Input Ports accept player control data (19). The Output Port (13) initiates sound control and activates any external logic and indicators needed by the game.

Timing and Control Logic (11) generates synchronizing signals to keep system operation and synchronized to the CPU. It controls:

1. Memory Read
2. Memory Write
3. Input Port Read
4. Output Port Write

## SYSTEM DESCRIPTION (Cont.d)

The remaining elements in Figure 1 convert CPU system information into a video display format. The T.V. monitor (18) uses a standard 525 scan line system.

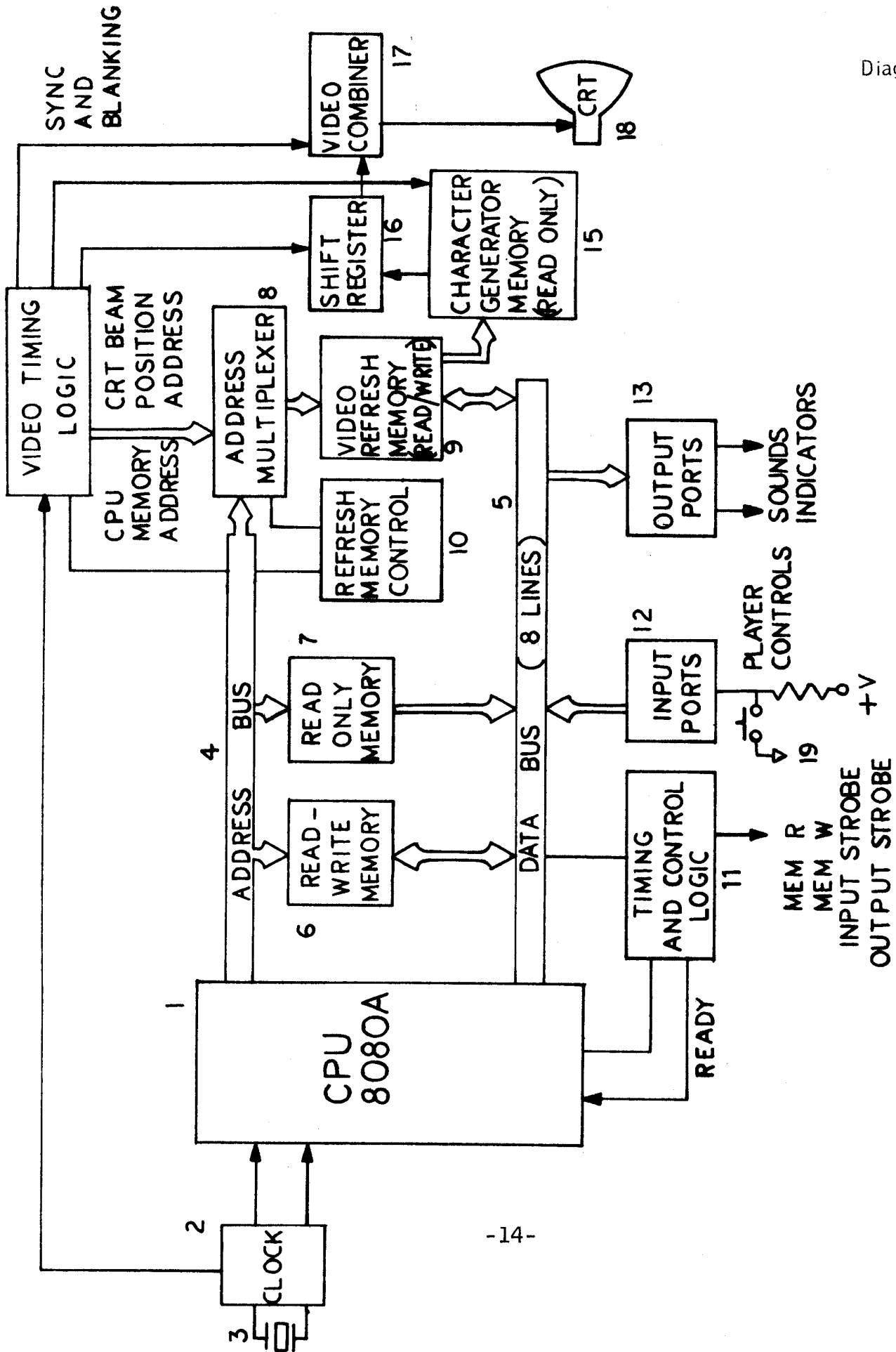
Video Refresh Memory (9) stores information from the CPU which is read out as the CRT beam sweeps across the screen. It is addressed from two sources as controlled by Address Multiplexer (8). During vertical sweep retrace of the CRT, the Video Refresh Memory is addressed by the CPU so information can be updated. During scan time, Video Refresh Memory is addressed by Video Timing Logic (14). Refresh Memory Control (10) insures that address demands from Video Timing Logic and the CPU never occur simultaneously.

Character Generator Memory (15) provides a means for Video Refresh Memory to select 64 dots for each 8 word access. Each image, on the display, has the dimensions of 8 dots high, and 8 dots wide. Shift register (16) develops this into a video signal. (See Fig. 2)

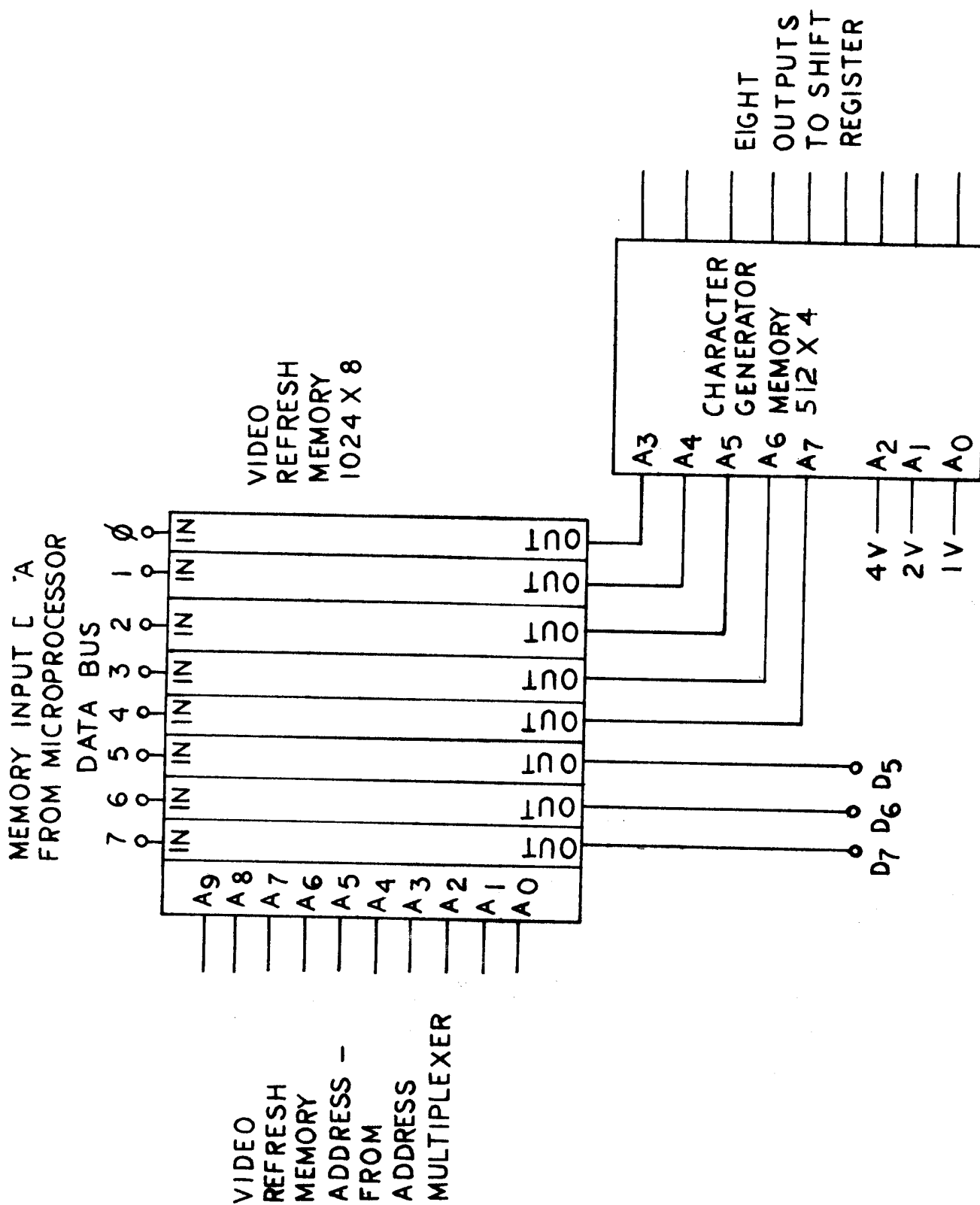
A Tone Generator is driven by Output Ports (13). The CPU controls the frequency of the tone by loading a number (0-255) into the Output Ports (13). A direction change by a player will cause the CPU to load a different number into the Output Port, changing the tone. (See Fig. 3) This generator also produces the "warble" sound heard during scoring.



Diagram #3



# SYSTEM BLOCK DIAGRAM



# CHARACTER GENERATION CIRCUITRY

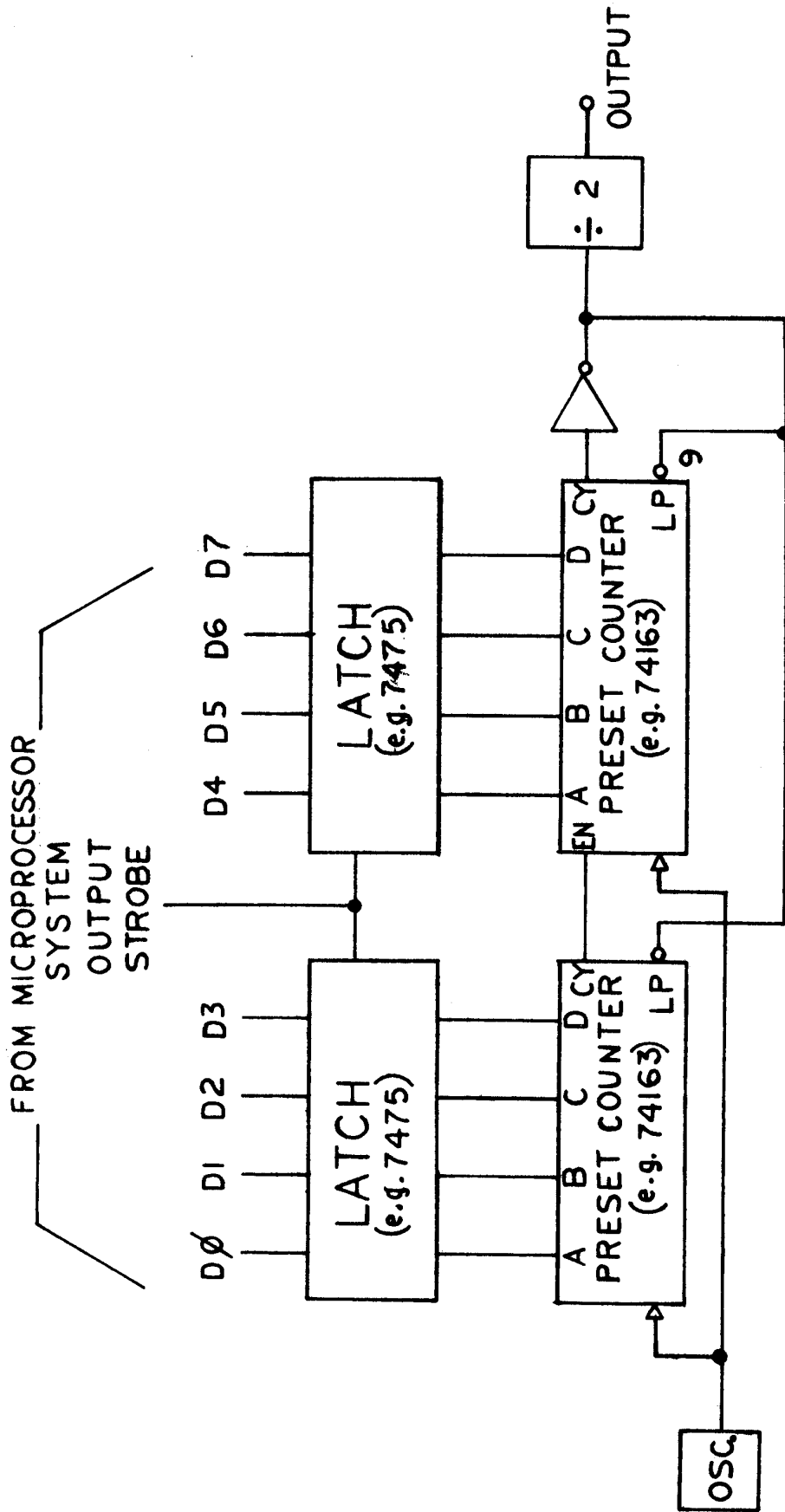


Diagram #5

TONE GENERATOR  
FIG.5

## FACTORY ASSISTANCE & EQUIPMENT

### FACTORY ASSISTANCE:

TECHNICAL HELP IS AVAILABLE FROM THE GREMLIN FACTORY, IF A PROBLEM OCCURS WHICH CANNOT BE EASILY RESOLVED BY YOUR DISTRIBUTOR, A PHONE CALL OR LETTER TO THE FACTORY WILL BRING ATTENTION TO YOUR PROBELM BY A TRAINED REPRESENTATIVE

-----

NOTE: IF AT ANY TIME THE T.V. SCREEN SHOWS A MEANINGLESS DISPLAY OR THE GAME OTHERWISE MALFUNCTIONS, DROP A COIN IN THE COIN MECHANISM. THIS SHOULD CORRECT THE PROBLEM. IF NOT, THE GAME REQUIRES SERVICE.

-----

### EQUIPMENT:

The following is a recommended list for anyone attempting to service HUSTLE.

1. Oscilliscpe - 50 mhz or wider band width
2. DVM (Digital Volt Meter)
3. OHM Meter
4. Logic Probe
5. Solder Station - 75 Watt or less
6. Jumpers
7. Replacement parts including game programs:  
1024 x 4 proms 316-0016, 316-0017, 316-0018, and  
316-0019

## SYMPTOMS/CAUSES

### HUSTLE POWER SUPPLY MALFUNCTIONS:

1. Remove Output Connectors
2. Initial Tests: (GND lead to C-18 negative terminal located off board.)
  - a. +9v at "+" of C-18
  - b. +19v at C-6 (4700 mfd)
  - c. -19v at C-5 (4700 mfd)
  - d. -12v at pin 11
  - e. +12v at pin 12
  - f. +5v at pins 18-20
  - g. zero v (GND) at pins 14-16
3. If adjustments are required, attach meter ground to pins 14, 15 or 16 or equivalent local ground and:
  - a. +5v adjust - input lead to pins 18, 19, 20 and adjust R-9 for +5.0 to +5.1VDC
  - b. +12v adjust - input lead to pin 12 and adjust R-8 for 11.5 to -12.1VDC
4. If initial test is good, attach output connectors to Video Logic Board. Repeat Step 2.
  - a. If readings differ from those previously taken, a loading problem exists on the Video Logic Board.

No -12VDC or 5VDC on the Video Logic Board: (Power Supply Normal)

Video Logic Board Schematic (VLBS) (SH. 2). CHECK U-65, C-29 for open/short. CHECK R-40, C-12, D-2 (VLBS) (SH. 1).

No +12VDC at CPU: (Power Supply Normal)

(VLBS) (SH. 2). CHECK U-65, C-28, (VLBS) (SH. 1). CHECK C-23, C-25.

## SYMPTOMS/CAUSES (Cont'd.)

### No Ø1, Ø2 CLOCKS: (Ref. Fig. 4A)

(VLBS), (SH. 1). CHECK U-32 pins 1 and 3 for 20.79MHZ. CHECK U-31 pins 14, 13, 12 and 11 for 150 nsec sinewave. CHECK U-17 pins 1, 3, 4, and 10. CHECK latch network U-18 and U-8. CHECK high voltage outputs of U-30 pins 3 and 6. If not present, remove driver transistor. Should U-30 now output, replace driver transistor, if still not present replace U-30. U-45 could load down Ø1 clock.

### No Coin Start:

(VLBS) (SH. 1) CHECK output U-9 pin 6. If signal not present, lift U-10 pin 5. Should signal return, replace U-10. If still not present, CHECK output of U-8 pin 3. CHECK D-8 pull up diode and C-18. CHECK U-14. U-32 could be shorting signal to Q<sub>3</sub> and Q<sub>4</sub>.

### No Coin Meter Action:

(VLBS) (SH. 1). Signal from U-8 pin 11 feeds current limiter R-27 to Q<sub>4</sub>. Saturated Q<sub>4</sub> turns on high current transistor Q<sub>5</sub>. Either Q<sub>4</sub> or Q<sub>5</sub> faulty, will inhibit meter.

### No Player Control:

(VLBS) (SH. 1). Input accepted through U-12 and U-13 via data lines when strobe IND2 signal is generated through U-18 from U-45 and U-51 (status latch). CHECK U-18 pin 11, U-45 pin 8, U-45 pin 11, U-51 pin 10 for strobe pulse.

### No Game Time Select:

(VLBS) (SH. 1). Input accepted through U-11 via data lines when strobe IND 1 signal is generated through U-18 from U-45 and U-51. CHECK U-18 pin 3, U-45 pin 8, U-45 pin 11, U-51 pin 10 for strobe pulse.

### Meaningless Display on Screen: (inserting coin does not correct problem)

There are two probable areas:

1. A program malfunction -
  - a. CHECK PROM sockets, U-2, U-3, U-4 and U-5

## SYMPTOMS/CAUSES (Cont'd.)

2. A data transfer malfunction -
  - a. Test the CPU Data Bus by ensuring proper voltage levels. Pullup resistors are used to make memory outputs compatible with the 8080A. High State Logic on the Data Bus should be 3.3v minimum. For involved problems in this area contact GREMLIN INDUSTRIES.

### Characters on Screen not correct: (Wrong image behaves normally)

(VLBS) (SH. 2). Use character generator code table to isolate possible bad RAM (U-37; U-38; U-39; U-40; U-41; or U-42). Also probable are U-22, U-23 (data buffers), U-24, U-25, U-26 (multiplexers), U-29 and U-43, U-49 (shift register).

### No Video: (Ref. Fig. 4B, 4C, 4D)

(VLBS) (SH. 2). CHECK U-54, U-53 circuitry for H reset. U-52 pin 1, clock for horizontal scan. U-55, U-58 provides timing for vertical scan. U-64 develops sync pulses.

### Monitor Malfunction:

Refer to Motorola Service Manual (File VP 12). This manual included with HUSTLE schematics.

### Audio Tones; Sour/None:

(VLBS) (SH. 2). U-68, U-61, U-62, U-66, U-67, U-60 comprise tone generator. Amplifier on Power Supply Board (U-4, Q<sub>5</sub>, Q<sub>3</sub>, Q<sub>8</sub>, Q<sub>9</sub>). Could also be problem area.

### Boom; Sour/None:

(VLBS) (SH. 1, SH. 2). D-6, Q<sub>10</sub>, Q<sub>9</sub>, Q<sub>11</sub>, U-5, Q<sub>7</sub>, Q<sub>8</sub>. Generates Boom.

Amplifier section on Power Supply Board (U-4, Q<sub>5</sub>, Q<sub>3</sub>, Q<sub>8</sub>, Q<sub>9</sub>), also probable.

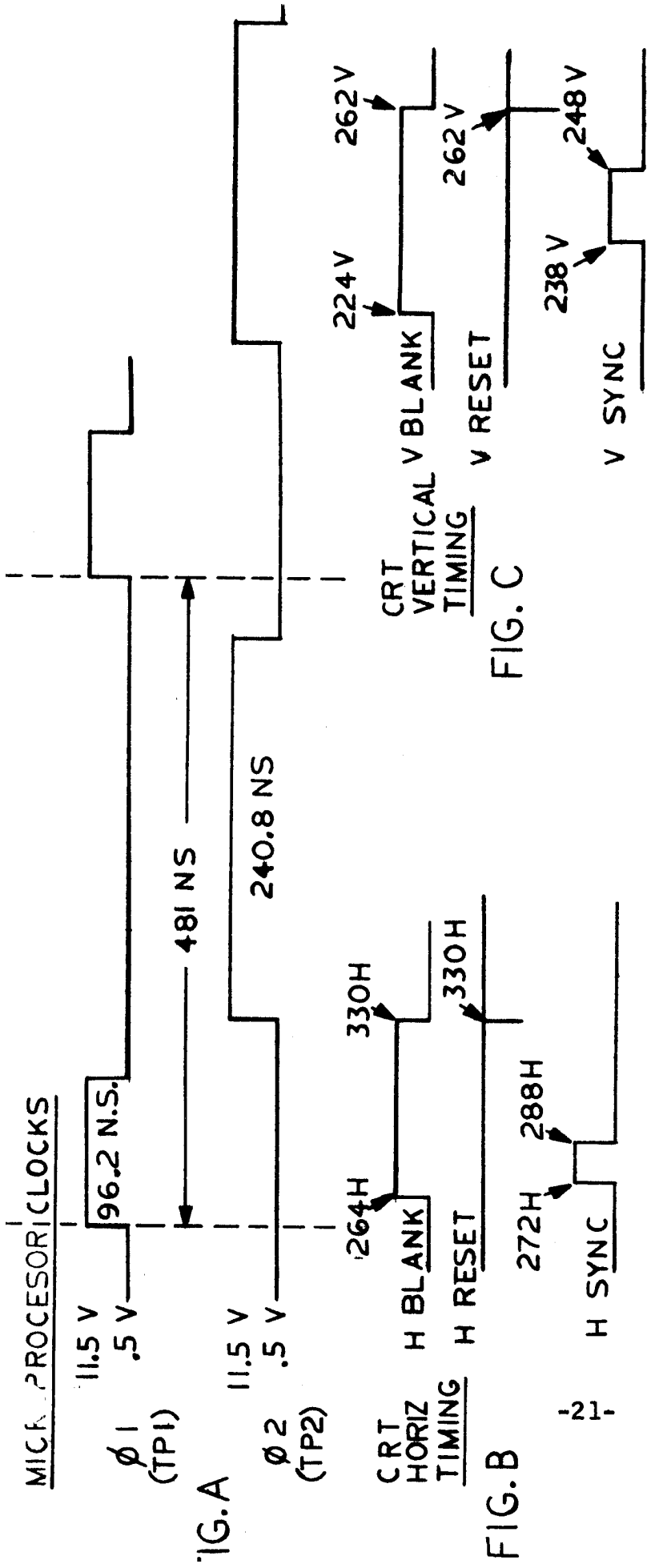
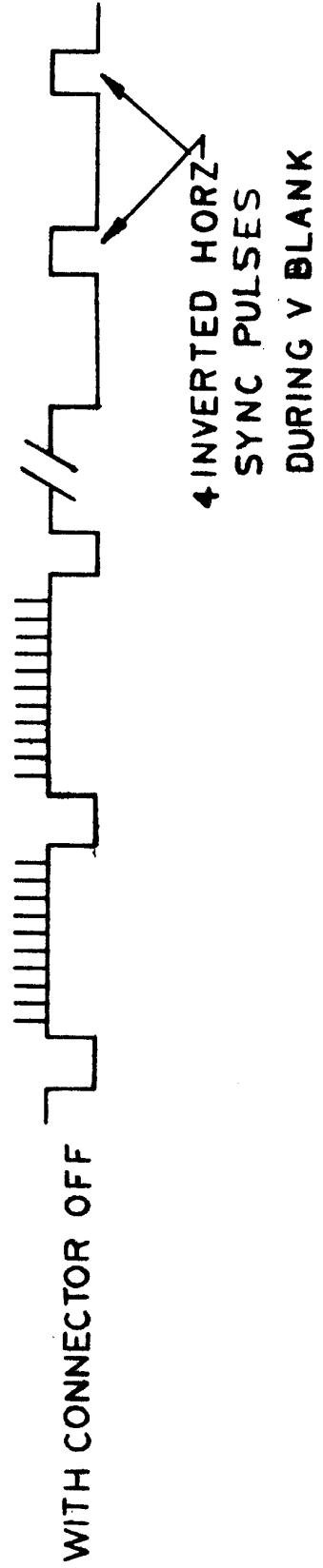


Diagram #6

VIDEO OUTPUT

**FIG. D**



**KEY WAVEFORMS**



# CHARACTER CODE TABLE

| I.C. (U#) |    |    |    |    |    |         | I.C. (U#) |    |    |    |    |    |            |
|-----------|----|----|----|----|----|---------|-----------|----|----|----|----|----|------------|
| 37        | 38 | 39 | 40 | 41 | 42 |         | 37        | 38 | 39 | 40 | 41 | 42 |            |
| 0         | 0  | 0  | 0  | 0  | 0  | (SPACE) | 1         | 1  | 0  | 0  | 0  | 0  | ∅          |
| 0         | 0  | 0  | 0  | 0  | 1  | ?       | 1         | 1  | 0  | 0  | 0  | 1  | 1          |
| 0         | 0  | 0  | 0  | 1  | 0  | —       | 1         | 1  | 0  | 0  | 1  | 0  | 2          |
| 0         | 0  | 0  | 0  | 1  | 1  | ///     | 1         | 1  | 0  | 0  | 1  | 1  | 3          |
| 0         | 0  | 0  | 1  | 0  | 0  | ■       | 1         | 1  | 0  | 1  | 0  | 0  | 4          |
| 0         | 0  | 0  | 1  | 0  | 1  | ■       | 1         | 1  | 0  | 1  | 0  | 1  | 5          |
| 0         | 0  | 0  | 1  | 1  | 0  | ■       | 1         | 1  | 0  | 1  | 1  | 0  | 6          |
| 0         | 0  | 0  | 1  | 1  | 1  | ■       | 1         | 1  | 0  | 1  | 1  | 1  | 7          |
| 0         | 0  | 1  | 0  | 0  | 0  | ◆       | 1         | 1  | 1  | 0  | 0  | 0  | 8          |
| 0         | 0  | 1  | 0  | 0  | 1  | ◆       | 1         | 1  | 1  | 0  | 0  | 1  | 9          |
| 0         | 0  | 1  | 0  | 1  | 0  | ◆       | 1         | 1  | 1  | 0  | 1  | 0  | (NOT USED) |
| 0         | 0  | 1  | 0  | 1  | 1  | ◆       | 1         | 1  | 1  | 0  | 1  | 1  | □          |
| 0         | 0  | 1  | 1  | 0  | 0  | ◇       | 1         | 1  | 1  | 1  | 0  | 0  | ///        |
| 0         | 0  | 1  | 1  | 0  | 1  | ◇       | 1         | 1  | 1  | 1  | 0  | 1  | ▬          |
| 0         | 0  | 1  | 1  | 1  | 0  | ◇       | 1         | 1  | 1  | 1  | 1  | 0  | !          |
| 0         | 0  | 1  | 1  | 1  | 1  | ◇       | 1         | 1  | 1  | 1  | 1  | 1  | ⋯          |

SMALL

# CHARACTER CODE TABLE

| I.C. (U#) |    |    |    |    |    |   | I.C. (U#) |    |    |    |    |    |            |
|-----------|----|----|----|----|----|---|-----------|----|----|----|----|----|------------|
| 37        | 38 | 39 | 40 | 41 | 42 |   | 37        | 38 | 39 | 40 | 41 | 42 |            |
| 1         | 0  | 0  | 0  | 0  | 0  | A | 1         | 1  | 0  | 0  | 0  | 0  | ∅          |
| 1         | 0  | 0  | 0  | 0  | 1  | C | 1         | 1  | 0  | 0  | 0  | 1  | 1          |
| 1         | 0  | 0  | 0  | 1  | 0  | E | 1         | 1  | 0  | 0  | 1  | 0  | 2          |
| 1         | 0  | 0  | 0  | 1  | 1  | F | 1         | 1  | 0  | 0  | 1  | 1  | 3          |
| 1         | 0  | 0  | 1  | 0  | 0  | □ | 1         | 1  | 0  | 1  | 0  | 0  | 4          |
| 1         | 0  | 0  | 1  | 0  | 1  | □ | 1         | 1  | 0  | 1  | 0  | 1  | 5          |
| 1         | 0  | 0  | 1  | 1  | 0  | □ | 1         | 1  | 0  | 1  | 1  | 0  | 6          |
| 1         | 0  | 0  | 1  | 1  | 1  | □ | 1         | 1  | 0  | 1  | 1  | 1  | 7          |
| 1         | 0  | 1  | 0  | 0  | 0  | G | 1         | 1  | 1  | 0  | 0  | 0  | 8          |
| 1         | 0  | 1  | 0  | 0  | 1  | I | 1         | 1  | 1  | 0  | 0  | 1  | 9          |
| 1         | 0  | 1  | 0  | 1  | 0  | L | 1         | 1  | 1  | 0  | 1  | 0  | S          |
| 1         | 0  | 1  | 0  | 1  | 1  | M | 1         | 1  | 1  | 0  | 1  | 1  | T          |
| 1         | 0  | 1  | 1  | 0  | 0  | N | 1         | 1  | 1  | 1  | 0  | 0  | V          |
| 1         | 0  | 1  | 1  | 0  | 1  | O | 1         | 1  | 1  | 1  | 0  | 1  | Y          |
| 1         | 0  | 1  | 1  | 1  | 0  | P | 1         | 1  | 1  | 1  | 1  | 0  | (NOT USED) |
| 1         | 0  | 1  | 1  | 1  | 1  | R | 1         | 1  | 1  | 1  | 1  | 1  | (NOT USED) |

LARGE

HUSTLE PARTS LIST

| <u>DESCRIPTION</u>     | <u>QTY USED</u> | <u>PART NUMBER</u> |
|------------------------|-----------------|--------------------|
| ASSY, COIN COUNTER     | 1               | 807-0011           |
| CONN, CRIMP LOCK       | 2               | 211-0005           |
| CONN, KEY POLARIZING   | 1               | 211-0007           |
| CONN, FEM 10 PIN       | 1               | 211-0016           |
| COUNTER, DIGITAL       | 1               | 220-0008           |
| ASSY, CONTROL BLOCK    | 1               | 813-0004           |
| CONN, CRIMP COINBOX    | 6               | 211-0001           |
| CONN, CRIMP LOCK       | 10              | 211-0005           |
| CONN, KEY, POLARIZING  | 4               | 211-0007           |
| CONN, SPADE LUG 1/4"   | 1               | 211-0019           |
| SOLDER LUG #10         | 1               | 211-0027           |
| CONN, FEM 4 PIN BLK    | 2               | 212-0005           |
| CONN, FEM 10 PIN       | 1               | 212-0016           |
| KNOB, VOL CONTROL      | 1               | 240-0001           |
| SWITCH BRACKET         | 1               | 250-0031           |
| ASSY, HUS OPER. SWITCH | 1               | 813-0002           |
| CONN CRIMP LOCK        | 11              | 211-0005           |
| CONN, KEY, POLARIZING  | 1               | 211-0007           |
| CONN, SPADE LUG 1/4"   | 1               | 211-0019           |
| CONN SPADE LUG #10     | 1               | 211-0027           |
| SWITCH ASSY WICO       | 10              | 212-0016           |
| CONN, FEM 10 PIN       | 1               | 510-0023           |
| ASSY, HUS VIDEO LOGIC  | 1               | 813-0001           |
| ASSY, JUMPER HARNESS   | 1               | 807-0006           |
| CONN, CRIMP LOCK       | 16              | 211-0005           |
| CONN, KEY, POLARIZING  | 4               | 211-0007           |
| CONN, FEM 10 PIN       | 2               | 212-0016           |
| ASSY, JUNCTION BOX     | 1               | 807-0009           |
| BOX, JUNCTION          | 1               | 140-0016           |

HUSTLE PARTS LIST (Cont'd.)

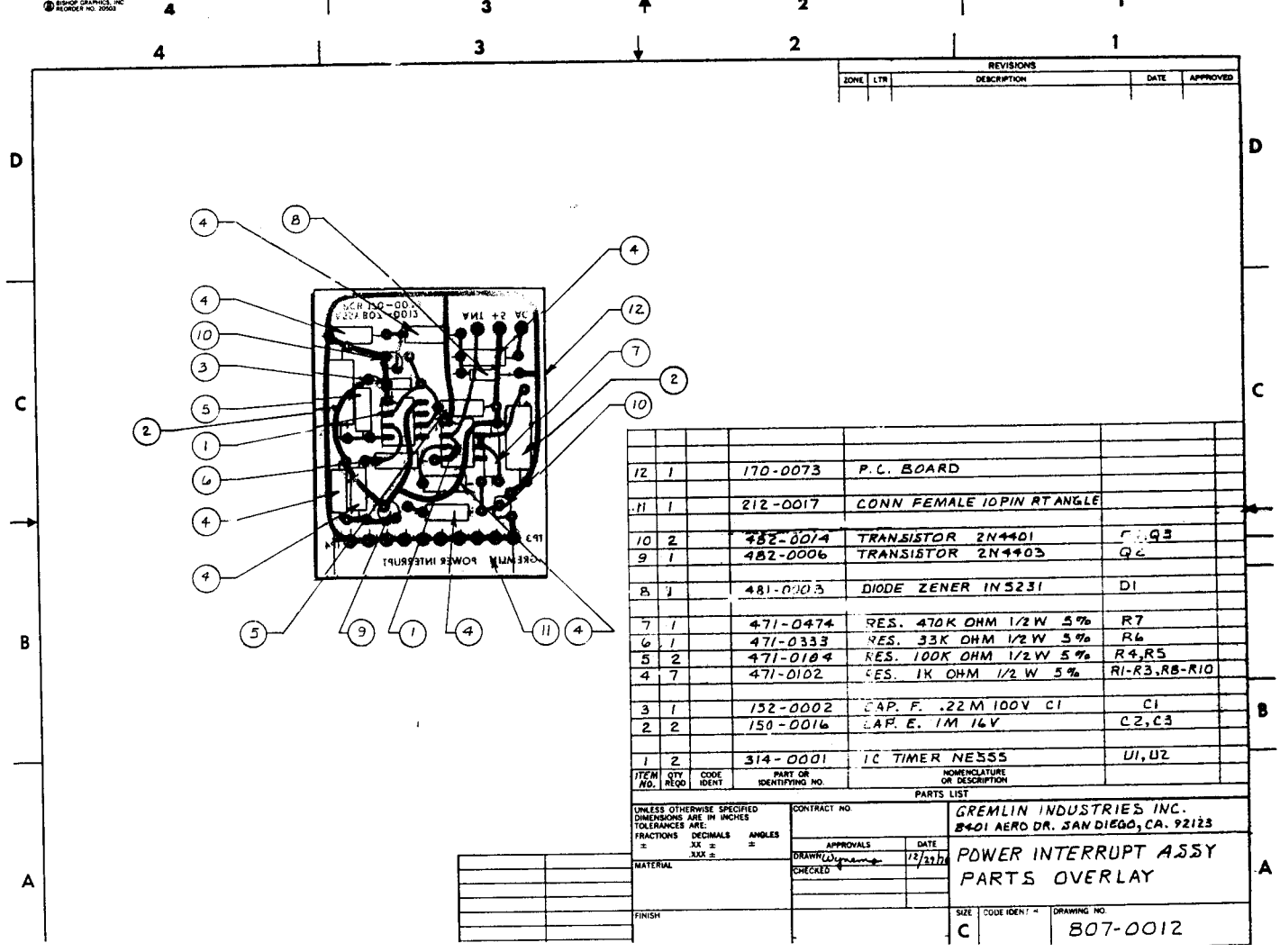
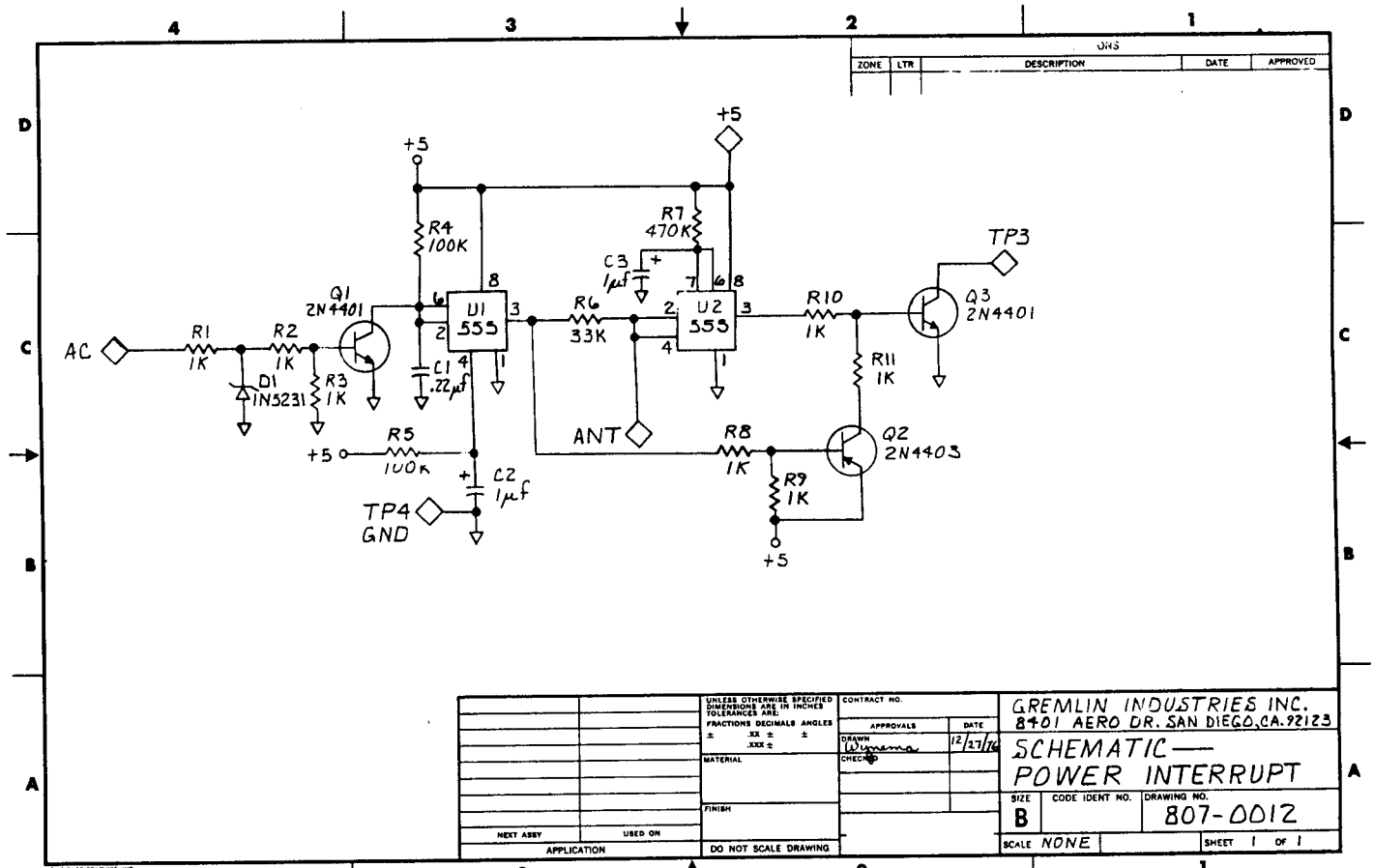
| <u>DESCRIPTION</u>    | <u>QTY USED</u> | <u>PART NUMBER</u> |
|-----------------------|-----------------|--------------------|
| COVER, JUNCTION BOX   | 1               | 140-0017           |
| CONN, QUICK, 1/4" FEM | 2               | 211-0017           |
| CONN, SPADE LUG 1/4"  | 14              | 211-0019           |
| CONN, QUICK 3/16" FEM | 4               | 211-0022           |
| BUSHING, STR/RELIEF   | 2               | 280-0007           |
| TERMINAL STRIP 6 POS  | 1               | 280-0011           |
| MARKER, TERM STRIP    | 1               | 280-0017           |
| SWITCH SPDT CHERRY    | 1               | 510-0013           |
| FUSE, 2 AMP 250V SB   | 1               | 514-0001           |
| HOLDER, FUSE          | 1               | 514-0005           |
| CORD, LINE, 3 COND.   | 1               | 600-0001           |
| ASSY, MONITOR HARNESS | 1               | 807-0005           |
| CONN, CRIMP LOCK      | 2               | 211-0005           |
| CONN, KEY, POLARIZING | 2               | 211-0007           |
| CONN, SPADE LUG 1/4"  | 3               | 211-0019           |
| CONN, 12 PIN BLOCK    | 1               | 211-0025           |
| CONN, PIN CRIMP, FEM  | 5               | 211-0026           |
| CONN, FEM 4 PIN BLK   | 1               | 212-0005           |
| ASSY, POWER INTERRUPT | 1               | 807-0012           |
| CAP, E, 1M50V         | 2               | 150-0009           |
| CAP, F, .22M100V      | 1               | 152-0002           |
| PCB POWER INTERRUPT   | 1               | 170-0073           |
| CONN, FEM 10 PIN RT/A | 1               | 212-0017           |
| IC TIMER NE555        | 2               | 314-0001           |
| RES 1K OHM ;/2W 5%    | 7               | 471-0102           |
| RES, 100K 1/2W 5%     | 2               | 471-0104           |
| RES, 33K 1/2W 5%      | 1               | 471-0333           |
| RES, 470K 1/2W 5%     | 1               | 471-0474           |
| DIODE, ZENER 1N5231   | 1               | 481-0008           |
| XISTOR 2N4403         | 1               | 482-0006           |
| ASSY, POWER SUPPLY    | 1               | 807-0003           |
| ASSY, PWR SUPP/AMP B  | 1               | 807-0002           |

HUSTLE PARTS LIST (Cont'd.)

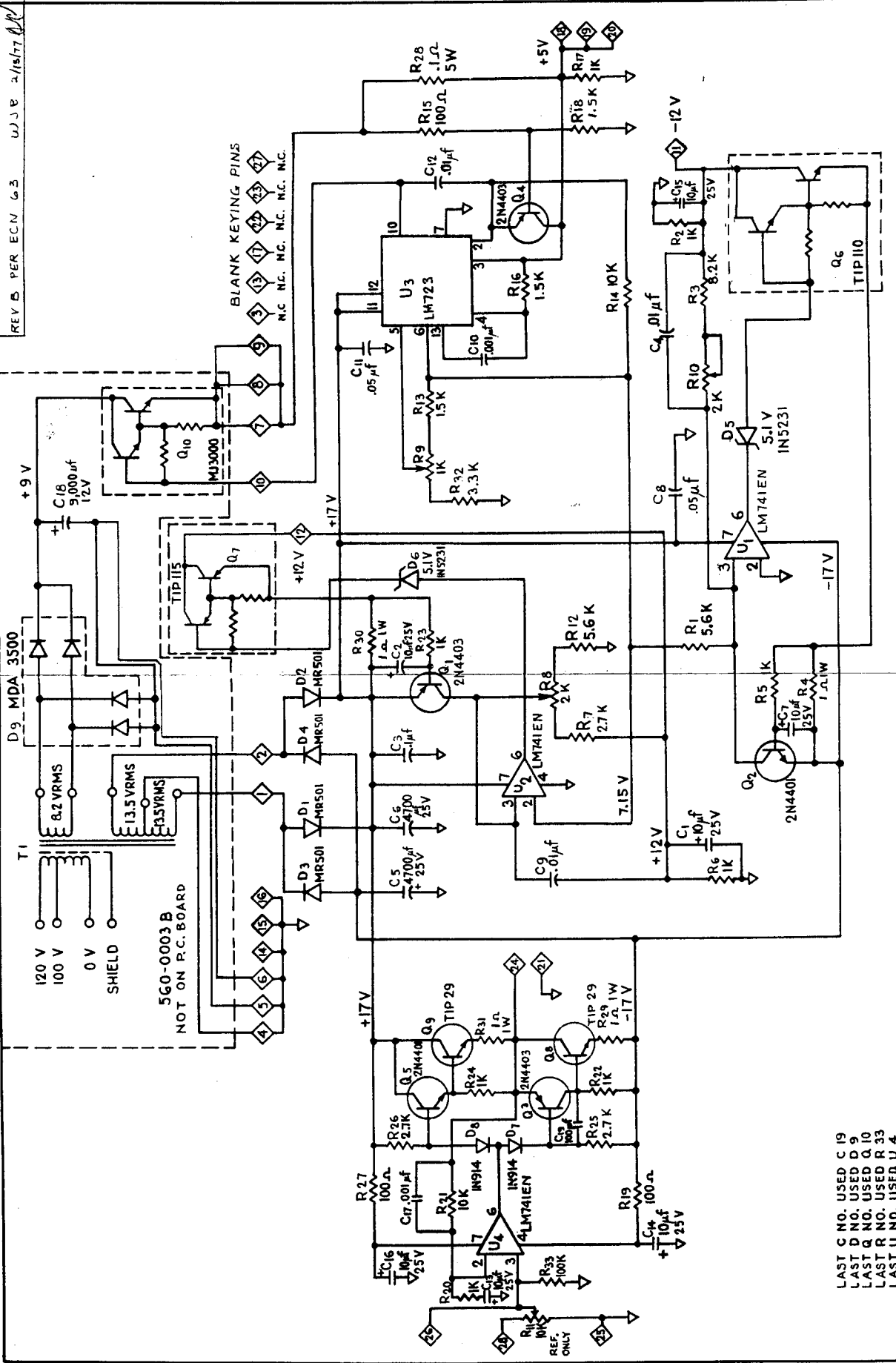
| <u>DESCRIPTION</u>     | <u>QTY USED</u> | <u>PART NUMBER</u> |
|------------------------|-----------------|--------------------|
| BUSHING S/REL 3/8"     | 1               | 280-0001           |
| BUTTON, PLUNGER WHITE  | 10              | 240-0008           |
| CABINET, UPRIGHT       | 1               | 140-0014           |
| CASHBOX, UPRIGHT       | 1               | 220-0012           |
| CLIP, SWITCH           | 1               | 250-0048           |
| CLIP, WIRE HOLDDOWN    | 35              | 280-0004           |
| COIN MECHANISM, DUAL   | 1               | 220-0010           |
| CORNER STRIP           | 4               | 420-0037           |
| COVER GRAPHIC PANEL    | 1               | 253-0030           |
| COVER, SPEAKER 6 x 9   | 1               | 130-0002           |
| DECAL, CAUTION 115V    | 1               | 420-0030           |
| DECAL, HUSTLE          | 1               | 420-0067           |
| DECAL, IMPORTANT NOTE  | 2               | 420-0038           |
| DECAL, RE-CYCLE        | 1               | 420-0040           |
| DECAL, S/N             | 1               | 420-0028           |
| DECAL, S/N SMALL       | 1               | 420-0041           |
| DECAL, SERVICE         | 1               | 420-0029           |
| DECAL, TIP N.TELL      | 1               | 420-0060           |
| DRAWINGS, HUSTLE       | 1               | 420-0068           |
| FEET, CABINET          | 4               | 280-0030           |
| FIXT, LAMP FLUOR 18"   | 1               | 390-0012           |
| FRAME, BEZEL           | 1               | 250-0032           |
| GRAPHIC, PANEL OPTR.   | 1               | 253-0027           |
| LAMP, FLUORESCENT, 18" | 1               | 390-0011           |
| LATCH, LOCK UPRIGHT    | 1               | 220-0015           |
| LID, ASSY, COIN BOX    | 1               | 220-0016           |
| LOCK, PANEL            | 1               | 220-0009           |
| MANUAL, HUSTLE         | 1               | 420-0069           |
| MASK, SHADOW CABINET   | 1               | 253-0014           |
| MOLDING STRIP          | 1               | 250-0038           |
| MOLDING-TRIM, LOWER    | 1               | 250-0109           |
| MONITOR, VIDEO 19 IN   | 1               | 200-0002           |
| MOUNT BKT COIN BOX     | 1               | 252-0014           |
| NUT, WIRE              | 2               | 280-0010           |
| PANEL, DISPLAY UPPER   | 1               | 253-0036           |
| PANEL, GRAPHIC FRONT   | 1               | 253-0034           |
| PANEL, MONITOR SCREEN  | 1               | 253-0037           |
| PANEL, OPERATOR        | 1               | 250-0102           |

HUSTLE PARTS LIST (Cont'd.)

| <u>DESCRIPTION</u>    | <u>QTY USED</u> | <u>PART NUMBER</u> |
|-----------------------|-----------------|--------------------|
| PLATE, COIN RETENSION | 1               | 250-0062           |
| PLATE, LOCK STRIKE    | 1               | 250-0033           |
| SPACER, WICO SWITCH   | 12              | 253-0031           |
| SPEAKER, GAME 6 x 9   | 1               | 130-0001           |
| SPRING, RETAINER      | 1               | 250-0034           |
| TRIM, CONTROL PANEL   | 2               | 250-0106           |
| TOP COVER             | 1               | 420-0035           |
| WASHER, ANCHOR        | 1               | 280-0028           |
| WRAPAROUND SIDE       | 1               | 420-0034           |



REV B PER ECN 63 WJB 2/15/77



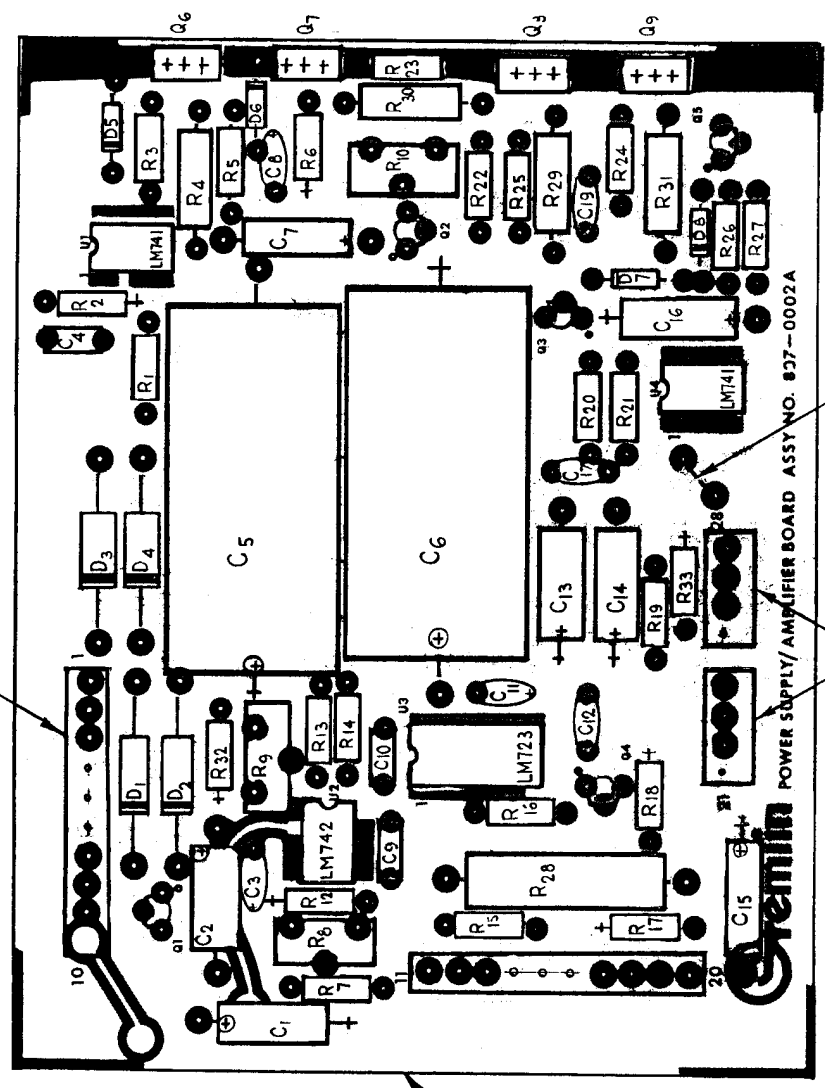
LAST C NO. USED C 19  
 LAST D NO. USED D 9  
 LAST Q NO. USED Q 10  
 LAST R NO. USED R 33  
 LAST U NO. USED U 4

|                      |         |                   |         |
|----------------------|---------|-------------------|---------|
| REVISOR              |         | TITLE             |         |
| 8401 AERO DR.        |         | SCHEMATIC         |         |
| SAN DIEGO, CA. 92123 |         | HUSTLE PWR SUPPLY |         |
| DRAWING NO.          | SCALE   | DRAWING NO.       | SCALE   |
| 807-0004             | NONE    | 807-0004          | NONE    |
| APPROVED             | CHECKED | APPROVED          | CHECKED |
| Joe M                |         |                   |         |



|          |        |                |             |        |        |        |        |        |         |
|----------|--------|----------------|-------------|--------|--------|--------|--------|--------|---------|
| REV. 1   | REV. 2 | REV. 3         | REV. 4      | REV. 5 | REV. 6 | REV. 7 | REV. 8 | REV. 9 | REV. 10 |
| 1        | 2      | 3              | 4           | 5      | 6      | 7      | 8      | 9      | 10      |
| DATE     | BY     | DESCRIPTION    | REVISIONS   |        |        |        |        |        |         |
| 10/15/77 | WJH    | PER. E.C.N. 03 | DESCRIPTION |        |        |        |        |        |         |

2 2 PLACES



JUMPER

3

| ITEM NO. | QUANTITY | DESCRIPTION             | UNIT | PRICE | TOTAL |
|----------|----------|-------------------------|------|-------|-------|
| 1        | 1        | CONN. MALE 3 PIN        |      |       |       |
| 2        | 1        | CONN. MALE 9 PIN        |      |       |       |
| 3        | 1        | P.C. BOARD              |      |       |       |
| 4        | 1        | RES. 100 OHM 1/4 W 5%   |      |       |       |
| 5        | 1        | RES. 100 K OHM 1/4 W 5% |      |       |       |
| 6        | 1        | RES. 100 OHM 1/4 W 5%   |      |       |       |
| 7        | 1        | RES. 100 K OHM 1/4 W 5% |      |       |       |
| 8        | 1        | RES. 100 OHM 1/4 W 5%   |      |       |       |
| 9        | 1        | RES. 100 K OHM 1/4 W 5% |      |       |       |
| 10       | 1        | RES. 100 OHM 1/4 W 5%   |      |       |       |
| 11       | 1        | RES. 100 K OHM 1/4 W 5% |      |       |       |
| 12       | 1        | RES. 100 OHM 1/4 W 5%   |      |       |       |
| 13       | 1        | RES. 100 K OHM 1/4 W 5% |      |       |       |
| 14       | 1        | RES. 100 OHM 1/4 W 5%   |      |       |       |
| 15       | 1        | RES. 100 K OHM 1/4 W 5% |      |       |       |
| 16       | 1        | RES. 100 OHM 1/4 W 5%   |      |       |       |
| 17       | 1        | RES. 100 K OHM 1/4 W 5% |      |       |       |
| 18       | 1        | RES. 100 OHM 1/4 W 5%   |      |       |       |
| 19       | 1        | RES. 100 K OHM 1/4 W 5% |      |       |       |
| 20       | 1        | RES. 100 OHM 1/4 W 5%   |      |       |       |
| 21       | 1        | RES. 100 K OHM 1/4 W 5% |      |       |       |
| 22       | 1        | RES. 100 OHM 1/4 W 5%   |      |       |       |
| 23       | 1        | RES. 100 K OHM 1/4 W 5% |      |       |       |
| 24       | 1        | RES. 100 OHM 1/4 W 5%   |      |       |       |
| 25       | 1        | RES. 100 K OHM 1/4 W 5% |      |       |       |
| 26       | 1        | RES. 100 OHM 1/4 W 5%   |      |       |       |
| 27       | 1        | RES. 100 K OHM 1/4 W 5% |      |       |       |
| 28       | 1        | RES. 100 OHM 1/4 W 5%   |      |       |       |
| 29       | 1        | RES. 100 K OHM 1/4 W 5% |      |       |       |
| 30       | 1        | RES. 100 OHM 1/4 W 5%   |      |       |       |
| 31       | 1        | RES. 100 K OHM 1/4 W 5% |      |       |       |
| 32       | 1        | RES. 100 OHM 1/4 W 5%   |      |       |       |
| 33       | 1        | RES. 100 K OHM 1/4 W 5% |      |       |       |
| 34       | 1        | RES. 100 OHM 1/4 W 5%   |      |       |       |
| 35       | 1        | RES. 100 K OHM 1/4 W 5% |      |       |       |
| 36       | 1        | RES. 100 OHM 1/4 W 5%   |      |       |       |
| 37       | 1        | RES. 100 K OHM 1/4 W 5% |      |       |       |
| 38       | 1        | RES. 100 OHM 1/4 W 5%   |      |       |       |
| 39       | 1        | RES. 100 K OHM 1/4 W 5% |      |       |       |
| 40       | 1        | RES. 100 OHM 1/4 W 5%   |      |       |       |
| 41       | 1        | RES. 100 K OHM 1/4 W 5% |      |       |       |
| 42       | 1        | RES. 100 OHM 1/4 W 5%   |      |       |       |
| 43       | 1        | RES. 100 K OHM 1/4 W 5% |      |       |       |
| 44       | 1        | RES. 100 OHM 1/4 W 5%   |      |       |       |
| 45       | 1        | RES. 100 K OHM 1/4 W 5% |      |       |       |
| 46       | 1        | RES. 100 OHM 1/4 W 5%   |      |       |       |
| 47       | 1        | RES. 100 K OHM 1/4 W 5% |      |       |       |
| 48       | 1        | RES. 100 OHM 1/4 W 5%   |      |       |       |
| 49       | 1        | RES. 100 K OHM 1/4 W 5% |      |       |       |
| 50       | 1        | RES. 100 OHM 1/4 W 5%   |      |       |       |
| 51       | 1        | RES. 100 K OHM 1/4 W 5% |      |       |       |
| 52       | 1        | RES. 100 OHM 1/4 W 5%   |      |       |       |
| 53       | 1        | RES. 100 K OHM 1/4 W 5% |      |       |       |
| 54       | 1        | RES. 100 OHM 1/4 W 5%   |      |       |       |
| 55       | 1        | RES. 100 K OHM 1/4 W 5% |      |       |       |
| 56       | 1        | RES. 100 OHM 1/4 W 5%   |      |       |       |
| 57       | 1        | RES. 100 K OHM 1/4 W 5% |      |       |       |
| 58       | 1        | RES. 100 OHM 1/4 W 5%   |      |       |       |
| 59       | 1        | RES. 100 K OHM 1/4 W 5% |      |       |       |
| 60       | 1        | RES. 100 OHM 1/4 W 5%   |      |       |       |
| 61       | 1        | RES. 100 K OHM 1/4 W 5% |      |       |       |
| 62       | 1        | RES. 100 OHM 1/4 W 5%   |      |       |       |
| 63       | 1        | RES. 100 K OHM 1/4 W 5% |      |       |       |
| 64       | 1        | RES. 100 OHM 1/4 W 5%   |      |       |       |
| 65       | 1        | RES. 100 K OHM 1/4 W 5% |      |       |       |
| 66       | 1        | RES. 100 OHM 1/4 W 5%   |      |       |       |
| 67       | 1        | RES. 100 K OHM 1/4 W 5% |      |       |       |
| 68       | 1        | RES. 100 OHM 1/4 W 5%   |      |       |       |
| 69       | 1        | RES. 100 K OHM 1/4 W 5% |      |       |       |
| 70       | 1        | RES. 100 OHM 1/4 W 5%   |      |       |       |
| 71       | 1        | RES. 100 K OHM 1/4 W 5% |      |       |       |
| 72       | 1        | RES. 100 OHM 1/4 W 5%   |      |       |       |
| 73       | 1        | RES. 100 K OHM 1/4 W 5% |      |       |       |
| 74       | 1        | RES. 100 OHM 1/4 W 5%   |      |       |       |
| 75       | 1        | RES. 100 K OHM 1/4 W 5% |      |       |       |
| 76       | 1        | RES. 100 OHM 1/4 W 5%   |      |       |       |
| 77       | 1        | RES. 100 K OHM 1/4 W 5% |      |       |       |
| 78       | 1        | RES. 100 OHM 1/4 W 5%   |      |       |       |
| 79       | 1        | RES. 100 K OHM 1/4 W 5% |      |       |       |
| 80       | 1        | RES. 100 OHM 1/4 W 5%   |      |       |       |
| 81       | 1        | RES. 100 K OHM 1/4 W 5% |      |       |       |
| 82       | 1        | RES. 100 OHM 1/4 W 5%   |      |       |       |
| 83       | 1        | RES. 100 K OHM 1/4 W 5% |      |       |       |
| 84       | 1        | RES. 100 OHM 1/4 W 5%   |      |       |       |
| 85       | 1        | RES. 100 K OHM 1/4 W 5% |      |       |       |
| 86       | 1        | RES. 100 OHM 1/4 W 5%   |      |       |       |
| 87       | 1        | RES. 100 K OHM 1/4 W 5% |      |       |       |
| 88       | 1        | RES. 100 OHM 1/4 W 5%   |      |       |       |
| 89       | 1        | RES. 100 K OHM 1/4 W 5% |      |       |       |
| 90       | 1        | RES. 100 OHM 1/4 W 5%   |      |       |       |
| 91       | 1        | RES. 100 K OHM 1/4 W 5% |      |       |       |
| 92       | 1        | RES. 100 OHM 1/4 W 5%   |      |       |       |
| 93       | 1        | RES. 100 K OHM 1/4 W 5% |      |       |       |
| 94       | 1        | RES. 100 OHM 1/4 W 5%   |      |       |       |
| 95       | 1        | RES. 100 K OHM 1/4 W 5% |      |       |       |
| 96       | 1        | RES. 100 OHM 1/4 W 5%   |      |       |       |
| 97       | 1        | RES. 100 K OHM 1/4 W 5% |      |       |       |
| 98       | 1        | RES. 100 OHM 1/4 W 5%   |      |       |       |
| 99       | 1        | RES. 100 K OHM 1/4 W 5% |      |       |       |
| 100      | 1        | RES. 100 OHM 1/4 W 5%   |      |       |       |

GREMLIN INDUSTRIES  
8401 AERO DR. SAN DIEGO, CALIF. 92126

POWER SUPPLY/AMP. B0A

CONTRACT NO. 837-0002A

DATE 10/15/77

APPROVALS: [Signature]

DRIVER: [Signature]

CHECKED: [Signature]

SIZE: 11x17

SCALE: 1:1

807-0002

PARTS OVERLAY

DO NOT SCALE DRAWING

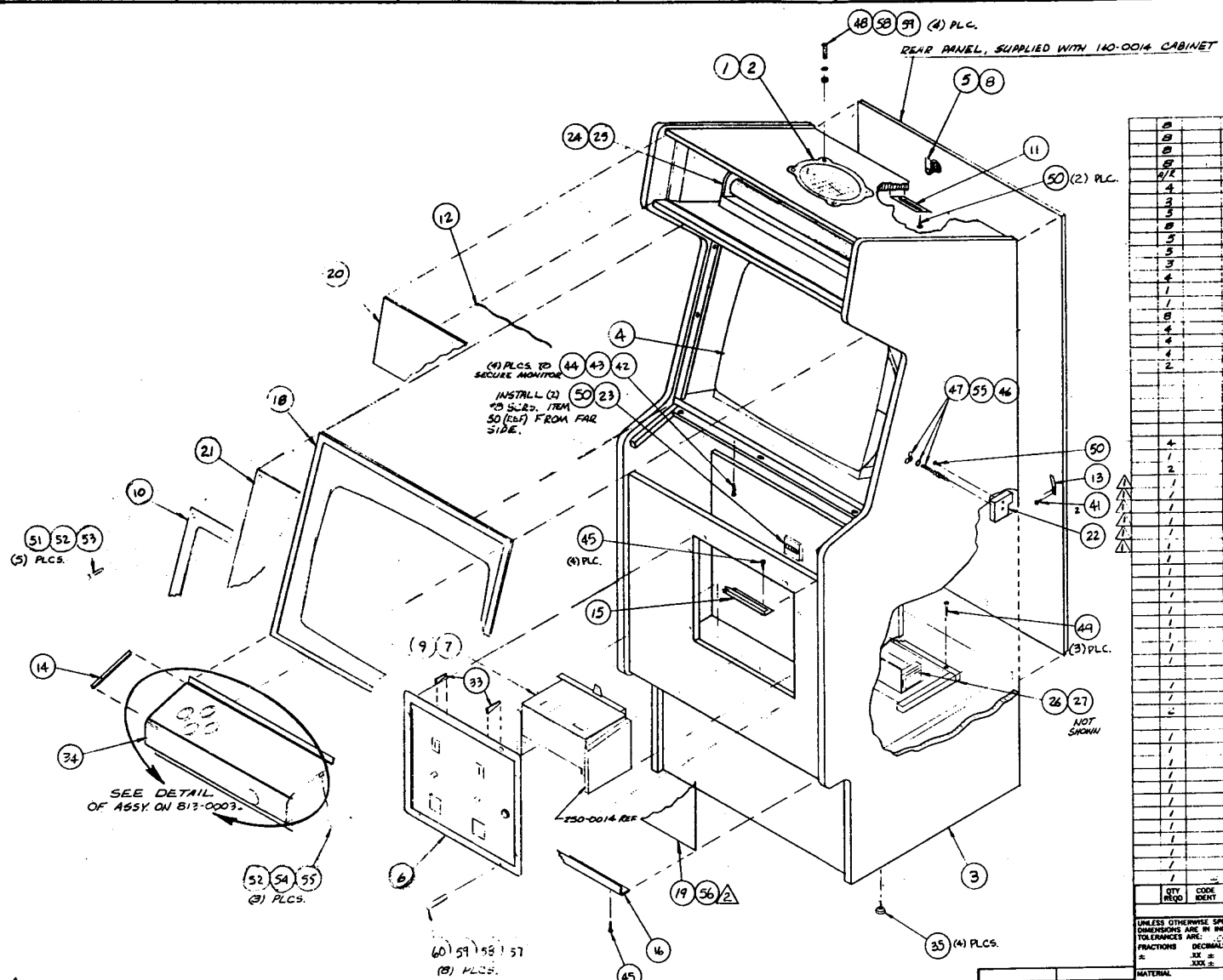
LAST REV. USED ON APPLICATION







| REVISIONS |         |                                  |     |      |
|-----------|---------|----------------------------------|-----|------|
| REV       | DATE    | DESCRIPTION                      | BY  | APPV |
| B         | 4-18-77 | INITIAL RELEASE ECN 116          | JLB |      |
| C         | 4-18-77 | ITEM 15 IS 250-0038 WAS 250-0108 | JLB |      |
| D         | 5-9-77  | PER ECN 116                      | JLB |      |



| QTY | CODE IDENT | PART OR IDENTIFYING NO.                         | NOMENCLATURE OR DESCRIPTION | SHEET            |
|-----|------------|---|-----------------------------|------------------|
| 2   |            | 0-32 BOLT RD. HD. CARRIAGE 1 7/8" LG.           |                             |                  |
| 2   |            | 0-22 HEX NUT                                    |                             |                  |
| 2   |            | #8 FLAT WASHER                                  |                             |                  |
| 2   |            | #8 LOCK WASHER                                  |                             |                  |
| 4   |            | 3M ADHESIVE *XE-4693                            |                             |                  |
| 4   |            | #10 LOCK WASHER                                 |                             |                  |
| 3   |            | 10-22 HEX NUT                                   |                             |                  |
| 3   |            | 10-24 BOLT RD. HD. CARRIAGE 1 3/4" LG.          |                             |                  |
| 2   |            | #10 FLAT WASHER                                 |                             |                  |
| 3   |            | 10-24 HEX NUT                                   |                             |                  |
| 3   |            | #8 RD. HD. CS. REC. SMT. INTL. SCR. 1/2" LG.    |                             |                  |
| 3   |            | #8 FLAT. HD. CS. REC. WOOD SCR. 1/4" LG.        |                             |                  |
| 2   |            | 0-32 SLOT DRILL HD. MARK SCR. 1 1/2" LG.        |                             |                  |
| 1   |            | 10-24 HANGER BOLT 2 1/2" LG.                    |                             |                  |
| 1   |            | 10-24 WING NUT                                  |                             |                  |
| 2   |            | #4 RD. HD. CS. REC. WOOD SCR. 1/2" LG.          |                             |                  |
| 2   |            | #6 SELF TAP SMT. INTL. SCR. HEAD NO. 1 1/2" LG. |                             |                  |
| 4   |            | #8 INT.-EXT. TOOTH LOCK WASHER                  |                             |                  |
| 4   |            | #8 CLIP NUT                                     |                             |                  |
| 2   |            | #6 RD. HD. CS. REC. SMT. INTL. SCR. 1/2" LG.    |                             |                  |
| 4   |            | 280-0080 CABINET FEET                           |                             |                  |
| 1   |            | 813-0003 OPERATOR PANEL                         |                             | SHEET 1 & 2 OF 3 |
| 1   |            | 250-0048 COIN RETURN PLATE                      |                             |                  |
| 1   |            | 813-0004 ASSY. COIN TUBE, #1000                 |                             | SHEET 2 OF 3     |
| 1   |            | 807-0006 ASSY. JUMPER HARNESS                   |                             | SHEET 2 OF 3     |
| 1   |            | 807-0010 ASSY. SPEAKER CABLE                    |                             | SHEET 2 OF 3     |
| 1   |            | 807-0012 ASSY. POWER INTERRUPT                  |                             | SHEET 2 OF 3     |
| 1   |            | 807-0008 ASSY. MONITOR HARNESS                  |                             | SHEET 2 OF 3     |
| 1   |            | 813-0001 VIDEO LOGIC BD ASSY.                   |                             | SHEET 2 OF 3     |
| 1   |            | 807-0003 ASSY. POWER SUPPLY                     |                             | SHEET 1 & 2 OF 3 |
| 1   |            | 290-0012 LAMP, FLUORESCENT, 18"                 |                             | SHEET 1 & 2 OF 3 |
| 1   |            | 290-0011 COIN COUNTER ASSY.                     |                             | SHEET 1 & 2 OF 3 |
| 1   |            | 807-0009 ASSY. JUNCTION BOX                     |                             | SHEET 1 & 2 OF 3 |
| 1   |            | 253-0037 PANEL, MONITOR SCREEN                  |                             |                  |
| 1   |            | 253-0036 PANEL, DISPLAY UPPER                   |                             |                  |
| 1   |            | 253-0034 PANEL, GRAPHIC FRONT                   |                             |                  |
| 1   |            | 253-0016 HMBE, SHADOW CABINET                   |                             |                  |
| 1   |            | 250-0009 HOLDING-TRIM LOWER                     |                             |                  |
| 1   |            | 250-0038 HOLDING-TRIM UPPER                     |                             |                  |
| 2   |            | 250-0164 TRIM CONTROL PANEL                     |                             |                  |
| 1   |            | 250-0048 CLIP, SWITCH                           |                             |                  |
| 1   |            | 250-0034 RETAINER SPRING                        |                             |                  |
| 1   |            | 250-0033 PLATE, LOCK STRIKE                     |                             |                  |
| 1   |            | 250-0032 BEZEL, FRAME                           |                             |                  |
| 1   |            | 220-0016 COIN BOX LID ASSY.                     |                             |                  |
| 1   |            | 220-0015 LATCH, LOCK B/A                        |                             |                  |
| 1   |            | 220-0012 CASHBOX, UPRIGHT                       |                             |                  |
| 1   |            | 220-0010 DUAL COIN MECHANISM                    |                             | SHEET 1 & 2 OF 3 |
| 1   |            | 220-0009 LOCK, PANEL                            |                             |                  |
| 1   |            | 200-0002 VIDEO, MONITOR 19 IN.                  |                             | SHEET 1 & 2 OF 3 |
| 1   |            | 140-0014 CABINET, B/A                           |                             |                  |
| 1   |            | 250-0002 SPEAKER, COVER 6x9                     |                             |                  |
| 1   |            | 130-0001 SPEAKER, GAUGE 4x9                     |                             | SHEET 1 & 2 OF 3 |

| PARTS LIST  |  | CONTRACT NO. |  | APPROVALS             |  | DATE |  |
|---|--|--------------|--|-----------------------|--|------|--|
| UNLESS OTHERWISE SPECIFIED DIMENSIONS ARE IN INCHES |  |              |  | DRAWN 5/24/77 4-12-77 |  |      |  |
| TOLERANCES ARE: .015" .010" .005" .002" .001"       |  |              |  | CHECKED V. J. 4/19/77 |  |      |  |
| FRACTIONS DECIMALS ANGLES                           |  |              |  | SCALE NONE            |  |      |  |
| MATERIAL  |  |              |  | FINISH                |  |      |  |
| NEXT ASSY USED ON                                   |  |              |  | APPLICATION           |  |      |  |
| DO NOT SCALE DRAWING                                |  |              |  | SCALE NONE            |  |      |  |

**Grain Industries, Inc.**  
San Diego, California 92123

**TOP ASSY. HUSTLE**

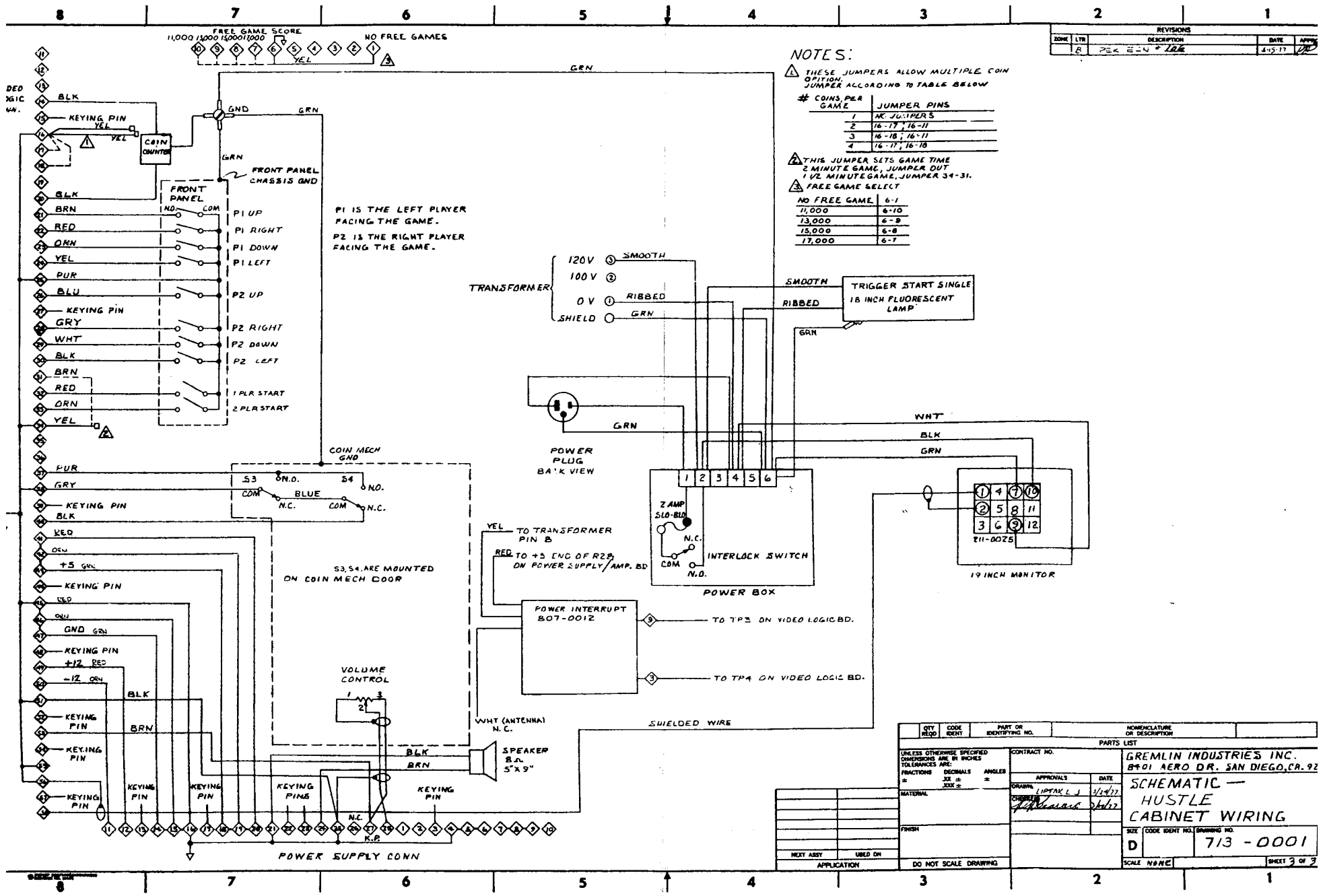
SIZE CODE IDENT NO. DRAWING NO.  
**D 713-0001**

SHEET 1 OF 3

USE 3M ADHESIVE \*XE-4693 TO CEMENT FRONT CERAMIC PANEL (26) TO CABINET ITEM (3)

N.B. DIMENSIONS ON BODY OF DRAWING. SEE SHEET 2 OF 3 OF THIS DWG. NOTES.





**NOTES:**

△ THESE JUMPERS ALLOW MULTIPLE COIN OPTION. JUMPER ACCORDING TO TABLE BELOW

| # COINS PER GAME | JUMPER PINS  |
|------------------|--------------|
| 1                | NO JUMPERS   |
| 2                | 16-17, 16-11 |
| 3                | 16-18, 16-11 |
| 4                | 16-17, 16-18 |

△ THIS JUMPER SETS GAME TIME  
 2 MINUTE GAME, JUMPER OUT  
 1 1/2 MINUTE GAME, JUMPER 34-31.

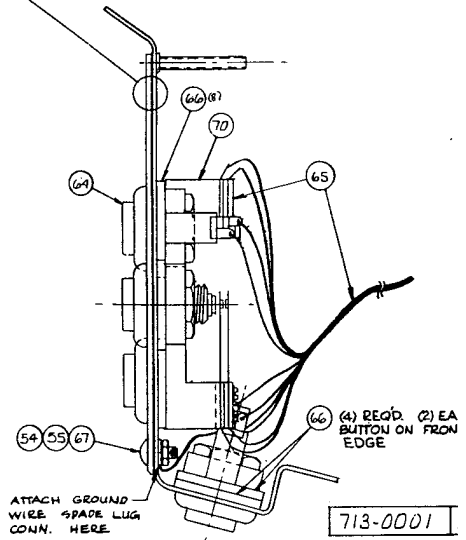
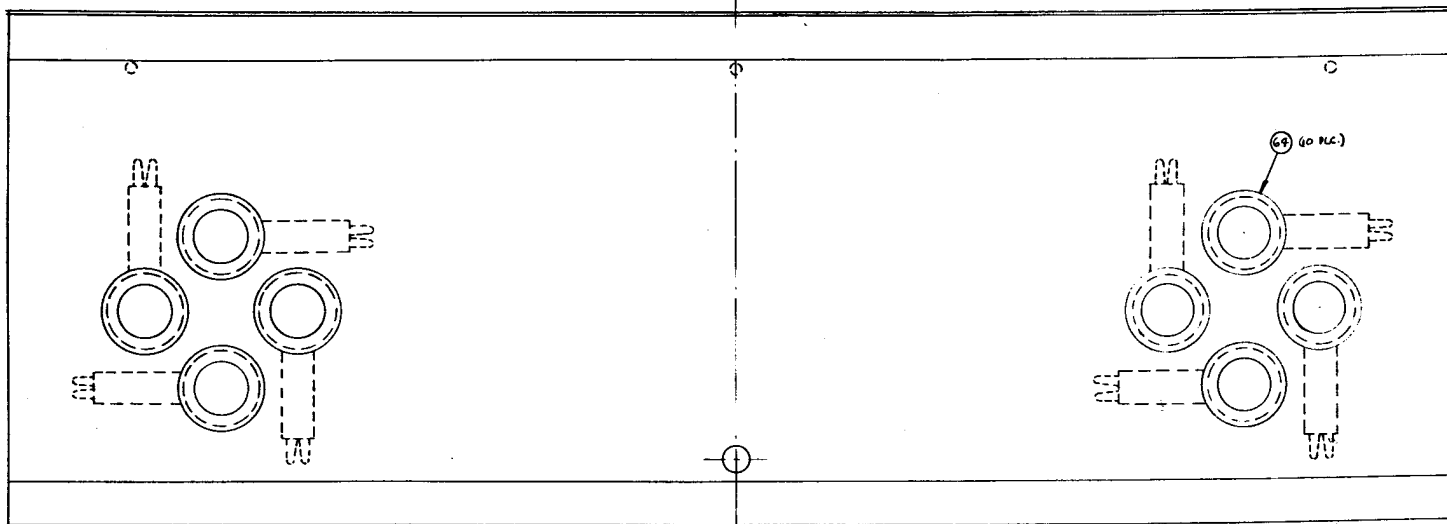
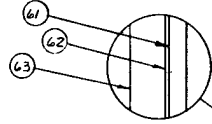
△ FREE GAME SELECT

| NO FREE GAME | 6-1  |
|--------------|------|
| 11,000       | 6-10 |
| 13,000       | 6-9  |
| 15,000       | 6-8  |
| 17,000       | 6-7  |

| REVISIONS |     |               |        |      |
|-----------|-----|---------------|--------|------|
| ZONE      | LTR | DESCRIPTION   | DATE   | APPR |
| 8         |     | DEK ECU + J24 | 4-5-77 | JL   |

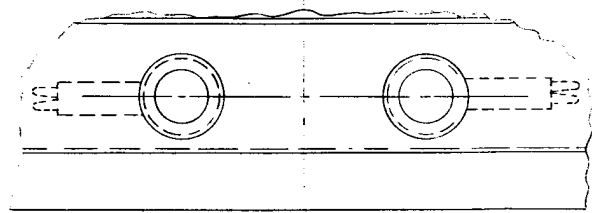
| QTY REQD  | CODE IDENT | PART OR IDENTIFYING NO.           | NOMENCLATURE OR DESCRIPTION     |
|---|------------|-----------------------------------|---------------------------------|
| PARTS LIST  |            |                                   |                                 |
| UNLESS OTHERWISE SPECIFIED DIMENSIONS ARE IN INCHES TOLERANCES ARE: |            | CONTRACT NO.                      |                                 |
| FRAC-TIONS  | DECIMALS   | ANGLES                            | GREMLIN INDUSTRIES INC.         |
| * XX *  | XXX *      | *                                 | B*01 AERO DR. SAN DIEGO, CA. 92 |
| MATERIAL  |            | APPROVALS                         | DATE                            |
| FINISH  |            | DRG: IPTAK L J                    | 3/14/77                         |
| NEXT ASST   |            | CHKD: [Signature]                 | 2/6/77                          |
| USED ON   |            | SCHEMATIC - HUSTLE CABINET WIRING |                                 |
| APPLICATION   |            | SIZE                              | CODE IDENT NO. DRAWING NO.      |
| DO NOT SCALE DRAWING  |            | D                                 | 713 - 0001                      |
|   |            | SCALE                             | NONE                            |
|   |            | SHEET 3 OF 3                      |                                 |

| REVISIONS |     |                 |         |                    |
|-----------|-----|-----------------|---------|--------------------|
| ZONE      | LTR | DESCRIPTION     | DATE    | APPROV             |
|           | UC  | INITIAL RELEASE | 5-29-77 | <i>[Signature]</i> |
| 3-A       | A   | PER ECN # 104   | 6-18-77 | <i>[Signature]</i> |
|           | D   | PER ECN # 116   | 5-9-77  | <i>[Signature]</i> |



PLAYER 2 (REF)

PLAYER 1 (REF)



ONE PLAY (REF) TWO PLAY (REF)

OPERATOR PANEL ASSEMBLY DETAIL

| QTY | CODE | IDENT | PART OR IDENTIFYING NO. | NOMENCLATURE OR DESCRIPTION          | REMARKS |
|-----|------|-------|-------------------------|--------------------------------------|---------|
| 1   | 10   |       | 280-0099                | PLATE SWITCH MT.                     |         |
| 1   |      |       |                         | BOLT, RD HD, 10-32 1/2" LG CARTRIDGE |         |
| 12  |      |       | 253-0031                | SPACER, WICO SWITCH                  |         |
| 1   |      |       | 813-0001                | OPERATOR SWITCH ASSY                 |         |
| 1   |      |       | 240-0008                | BUTTON, PLUNGER ASSY                 | WICO    |
| 10  |      |       | 249-0030                | COVER, GRAPHIC PANEL                 |         |
| 1   |      |       | 253-0027                | GRAPHIC PANEL, OPERATOR              |         |
| 1   |      |       | 290-0102                | PANEL, OPERATOR                      |         |

|  |                      |                            |                            |
|--|----------------------|----------------------------|----------------------------|
| UNLESS OTHERWISE SPECIFIED DIMENSIONS ARE IN INCHES TOLERANCES ARE: NONE |                      | CONTRACT NO.               |                            |
| FUNCTIONS  | DIGITALS             | APPROVALS                  | DATE                       |
| * JOE *  | * ANGLES *           | DRAWN G. SMITH             | 7/29/77                    |
| * JUD *  |                      | CHECKED <i>[Signature]</i> | <i>[Signature]</i>         |
| MATERIAL   |                      | OPERATOR PANEL ASS         |                            |
| FINISH   |                      | SIZE                       | CODE IDENT NO. DRAWING NO. |
| 713-0001   | HUSTLE               | D                          | 713-0001                   |
| NEXT ASSY  | USED ON              | SCALE                      | SHEET 2 OF 4               |
| APPLICATION  | DO NOT SCALE DRAWING |                            |                            |