

## SERVICE MANUAL

# SEGA



A 50" SHOOTING DELUX GAME



**IMPORTANT!**

Before using this product, read this SERVICE MANUAL carefully to understand the contents stated herein. After reading this manual, be sure to keep it available nearby the product or somewhere convenient in order to be able to refer to it whenever necessary.

Manufactured in the UK by

# SEGA



MANUFACTURING DIVISION (U.K.)

## **Important!**

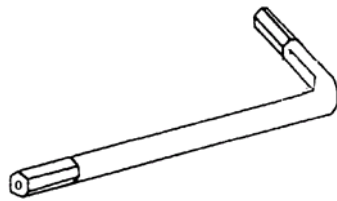
Please replace the pages within this addendum with the corresponding pages in the SERVICE MANUAL.

All changes have been highlighted.

## 1.1. ACCESSORIES

The machine is supplied with an installation kit. Please ensure the following parts are supplied:

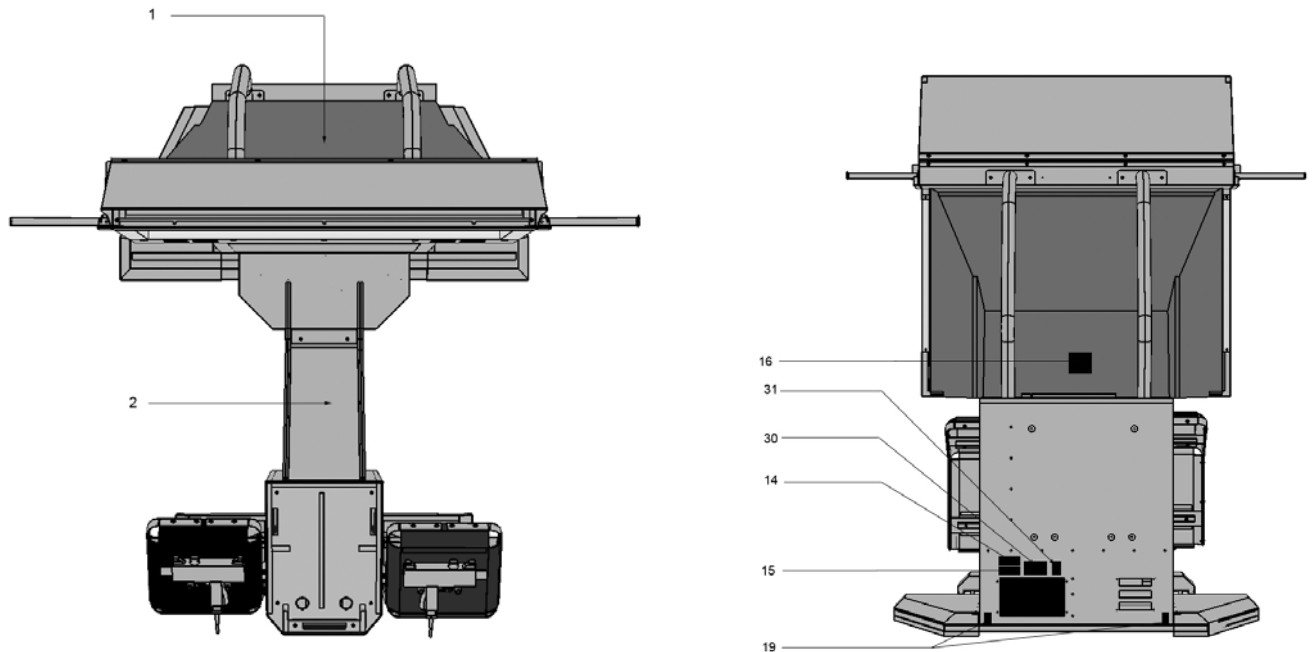
SEQ	PT NUMBER	DESCRIPTION	QTY
**1	440-CS0186UK	STICKER C EPILEPSY MULTI	1
**2	SAECE-135	DECLARATION OF CONFORMITY	1
**3	HDF-2003UK	DECAL INST PLATE HDF SDX MULTI	1
**4	540-0043-91	L-WRENCH FOR HEX SOC 3MM	1
**5	540-0006-01	WRENCH M4 TMP PRF	1
**6	540-0007-01	WRENCH M5 TMP PRF	1
**7	HDF-0405UK	ASSY BANNER R	1
**8	HDF-0406UK	ASSY BANNER L	1
**9	610-0727-003	DVD SOFT KIT HDF	1
**301	LM1246	EUROLEAD 10A EUROPEAN SOCKET	1
**302	LM1227	UK MAINS LEAD 10A WITH PLUG	1
**401	OS1019	SELF SEAL BAG 9X12.3/4	2
**402	420-6908-01UK	SERVICE MANUAL HDF SDX 52	1
**403	XXX-XXXX-SMG	SAMSUNG DISPLAY MANUAL + REMOTE CONTROL	1
**404	350-5801	MOTOR DC5V TG-01H	2
**405	509-5080	SW MICRO TYPE (SS-5GL2)	2
**406	514-5078-2000	FUSE 2A CER 20MM RS419-779	3
**407	514-5079-10000	FUSE 10A T CER 32MM RS414-061	1
**408	514-5078-10000	FUSE 5X20 CERAMIC SB 10000MA	1
**409	514-5090-3000	3A FUSE 6.3MMX25MM CERAMIC T	1
***2	HDF-0452UK	BRKT LIGHT BILLBOARD PLATE	1
***3	HDF -0453UK	BILLBOARD PLATE (fixed to ITEM 2)	1
***4	HDF-0454UK	SUPPORT LEFT	1
***5	HDF-0455UK	SUPPORT RIGHT	1
***8	HDF-0454BUK	ARTWORK SIDE L (fixed to ITEM 4)	1
***9	HDF-0455BUK	ARTWORK SIDE R (fixed to ITEM 5)	1
***202	030-000620-SB	M6X20 BLT W/S BLK	12



Item 5 AND 6 - Tamper-proof TORX wrenches.

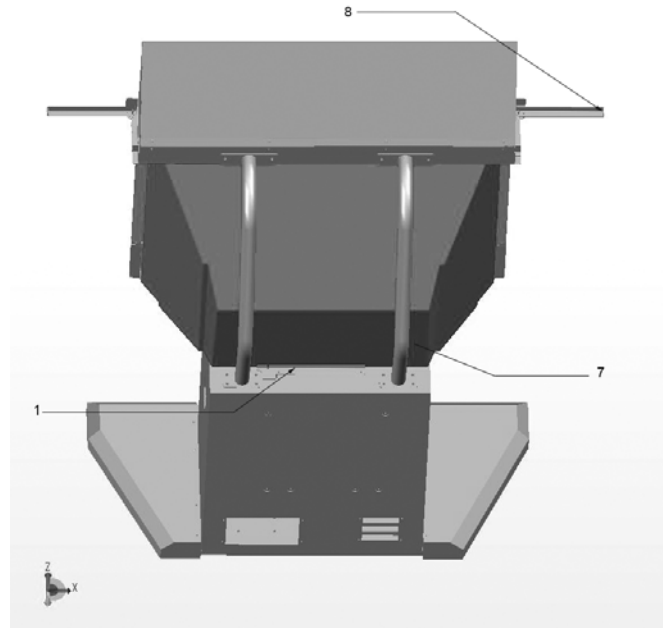
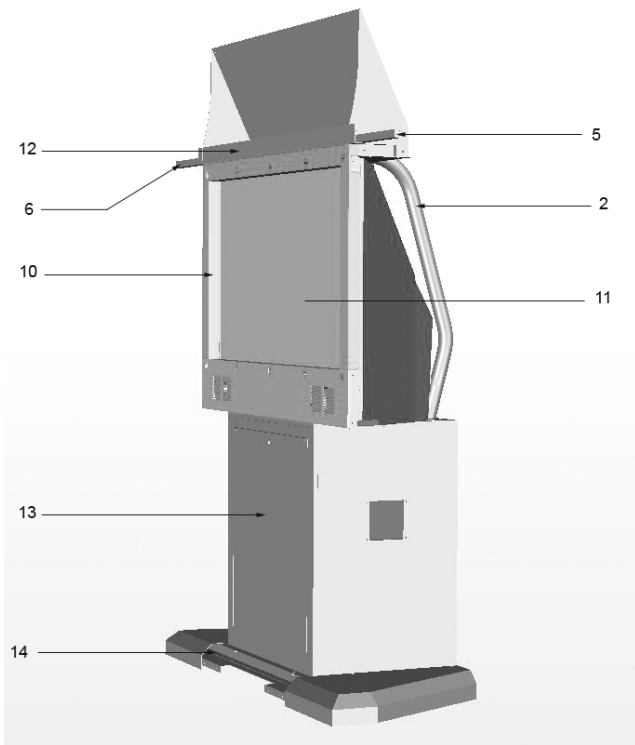
## 2. PARTS LIST

### 2.1. TOP ASSEMBLY (HDF-000-02UK)



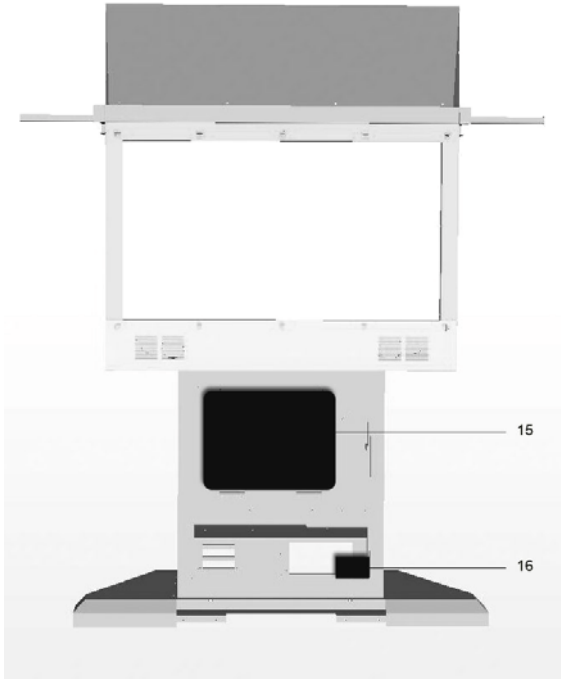
No.	PART NUMBER	QTY	DESCRIPTION	COMPONENT REFERENCE
1	HDF-0400-01UK	1	ASSY DLP 50"	
2	HDF-1000UK	1	ASSY CABINET DX	
14	421-7987-HDF-D	1	STICKER ELEC SPEC HDF DX 52	
15	421-7988-91UK	1	STICKER SERIAL NUMBER UK	
16	LB1102	1	STICKER DANGEROUS VOLTAGE	
19	421-7020UI	2	STICKER CAUTION FORK	
30	LB1046	1	LABEL TESTED FOR SAFETY	
31	LB1130	1	LABEL WEEE WHEELIE BIN	

## 2.2. ASSY DLP 50 (HDF-0401-01UK)



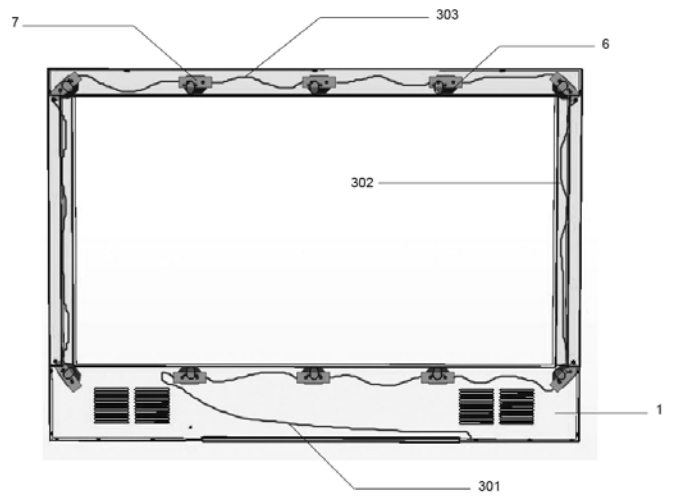
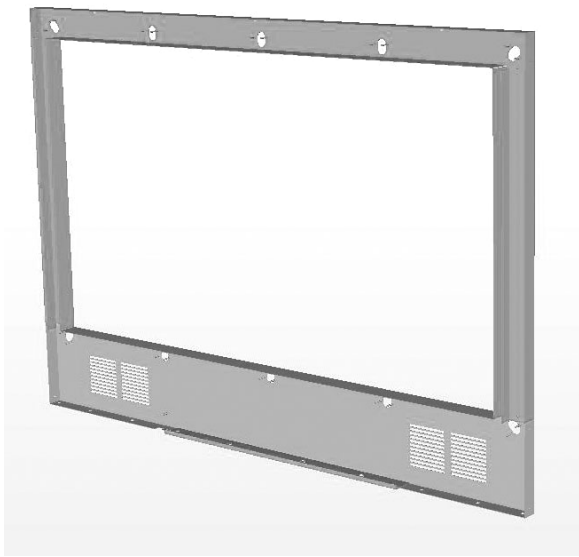
No.	PART NUMBER	QTY	DESCRIPTION	COMPONENT REFERENCE
1	RND-0113 & 4	1	REAR COVER WET	
2	HDF-0402UK	2	REAR SUPPORT LEG	
5	HDF-0405UK	1	ASSY BANNER R	
6	HDF-0406UK	1	ASSY BANNER L	
7	HDF-0407UK	1	PLATE REAR DLP	
8	HDF-0408UK	2	END CAP BANNER	
10	HDF-0430-01UK	1	ASSY MASK 50	
11	200-6050-SMSNG	1	ASSY DLP 50 SAMSUNG	
12	HDF-0450-01UK	1	ASSY BILLBOARD DX 50	
13	HDF-0480UK	1	ASSY DLP LWR BASE	
14	HDF-0670UK	1	ASSY SUB BASE	

ASSY DLP BASE continued.....



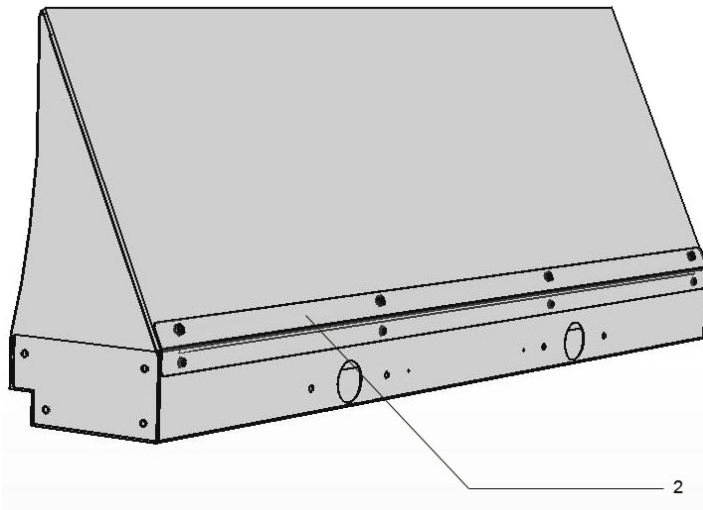
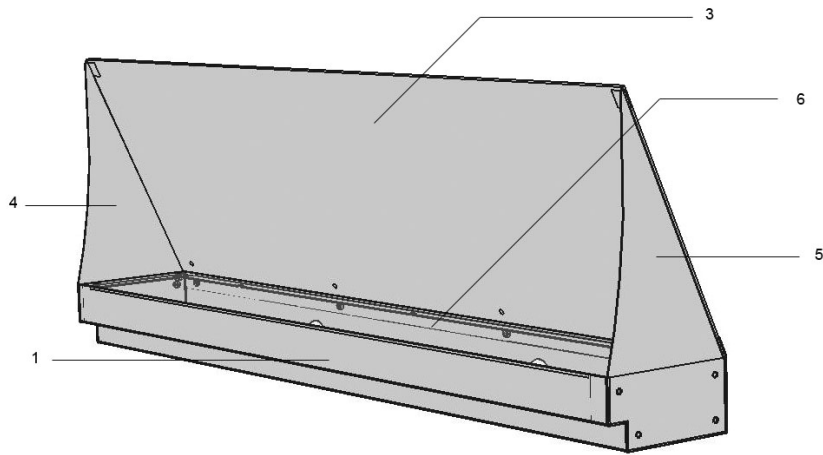
No.	PART NUMBER	QTY	DESCRIPTION	COMPONENT REFERENCE
15	HDF-4000UK	1	ASSY MAIN BOARD	
16	HDF-4200UK	1	ASSY XFMR	

### 2.3. ASSY MASK 50 (HDF-0430-01UK)



No.	PART NUMBER	QTY	DESCRIPTION	COMPONENT REFERENCE
1	HDF-0431-01UK	1	MONITOR MASK 50" HDF	
6	JPT-1082	10	IR COVER	
7	838-13145-02	10	LED BD GUN SENSE HOD	
301	HDF-60009UK	1	WH MASK EXT 1	
302	HDF-60010UK	2	WH MASK EXT 2	
303	HDF-60011UK	7	WH MASK LINK	

**2.4. ASSY BILLBOARD DX 50" (HDF-0450-01UK)**



No.	PART NUMBER	QTY	DESCRIPTION	COMPONENT REFERENCE
1	HDF-0451-01UK	1	BILLBOARD BOX 50 HDF	
2	HDF-0452UK	1	BRKT LIGHT BILLBOARD PLATE	
3	HDF-0453UK	1	BILLBOARD PLATE	
4	HDF-0454UK	1	SUPPORT L	
5	HDF-0455UK	1	SUPPORT R	
6	HDF-0456UK	1	LIGHT COVER	
7	HDF-0457UK	3	BRKT FL TUBE HOLDER	NOT SHOWN
101	390-7001-03UK	1	FL TUBE LSTR30W	NOT SHOWN
301	HDF-61010UK	1	WH BILLBOARD	NOT SHOWN



# SEGA



© SEGA 2006

**SEGA AMUSEMENTS EUROPE LTD.**

Suite 3a.  
Oak House  
12-22 West street  
Epsom  
Surrey  
United Kingdom  
KT18 7RG

Telephone: +44(0) 1372 731820  
Fax: +44(0) 1372 731849