



*Fully Licensed*

## **INSTRUCTION MANUAL**

**MANUFACTURER**

**Magic Conversion Co.**

P.O. Box 3263

820 Elmwood Avenue

Providence, RI 02907

**(401) 461-9389**

**DISTRIBUTOR**

## IGMO DIAGNOSTICS

In order to aid the operator in quickly locating and correcting problems in the IGMO game board, several comprehensive diagnostic routines were provided in IGMO software. A diagnostic button provided on the harness and designed to be located inside the arcade cabinet will allow the operator to enter the diagnostic program. After depressing the diagnostic button, the diagnostic routines may be selected and executed by using the joystick and the fire button. A menu will be displayed upon entering the diagnostics and will display the following diagnostic routines:

1. CURRENT SETTINGS
2. COLOR TABLE
3. SCRATCHPAD RAM
4. VIDEO RAM
5. ROM
6. CONVERGENCE
7. BUTTONS
8. EXIT

The above eight selections are described as follows:

1. **CURRENT SETTINGS-** Upon entering this routine, the status of the dip switches will be displayed along with a description of the function of each switch. Use this routine when checking the setting or use it as an aid in readjusting the settings. Among the game functions which may be adjusted are the number of IGMO's per credit, the number of credits per coin, the difficulty level and the extra IGMO level.
2. **COLOR TABLE-** The color table function will display the different colors of both palettes of the color PROM. If bad colors are found, the color PROM, U66, should be checked and if necessary, replaced.
3. **SCRATCHPAD RAM-** This routine allows U12 to be checked for faulty static ram locations. Should an error be found, try reseating U12. If an error still persists, replace U12.
4. **VIDEO RAM-** This routine performs several checks of the dynamic ram comprising the display ram. At the end of the routine, the status of each dynamic ram is displayed. Faulty dynamic rams should be replaced with 150ns 4116's. If errors persist, the ram controllers, U37 and U58, should be suspected.

5. ROM- This selection performs a ROM checksum which should point out data and program memory errors should they exist. Faulty EPROM's will be identified after the execution of this routine. Try reseating the EPROM's before assuming an EPROM failure. If an EPROM is replaced, replace it with one of the same code number as indicated on the EPROM label.
6. CONVERGENCE- This routine displays a convergence pattern which allows the operator to align the color guns of the video game monitor.
7. BUTTONS- This routine allows the operator to locate faulty buttons. A tone will sound when a button is depressed or if a switch is shorted to ground. If no tone sounds when a button is depressed, faulty or dirty contacts should be suspected.
8. EXIT- This routine takes the operator out of diagnostics and into the regular game mode.

**NOTE:** Every time the game is powered-up, all necessary diagnostic routines are run to ensure the normal operation of the game. Should an error be located by the "self test" diagnostics, the error will be displayed on the screen.

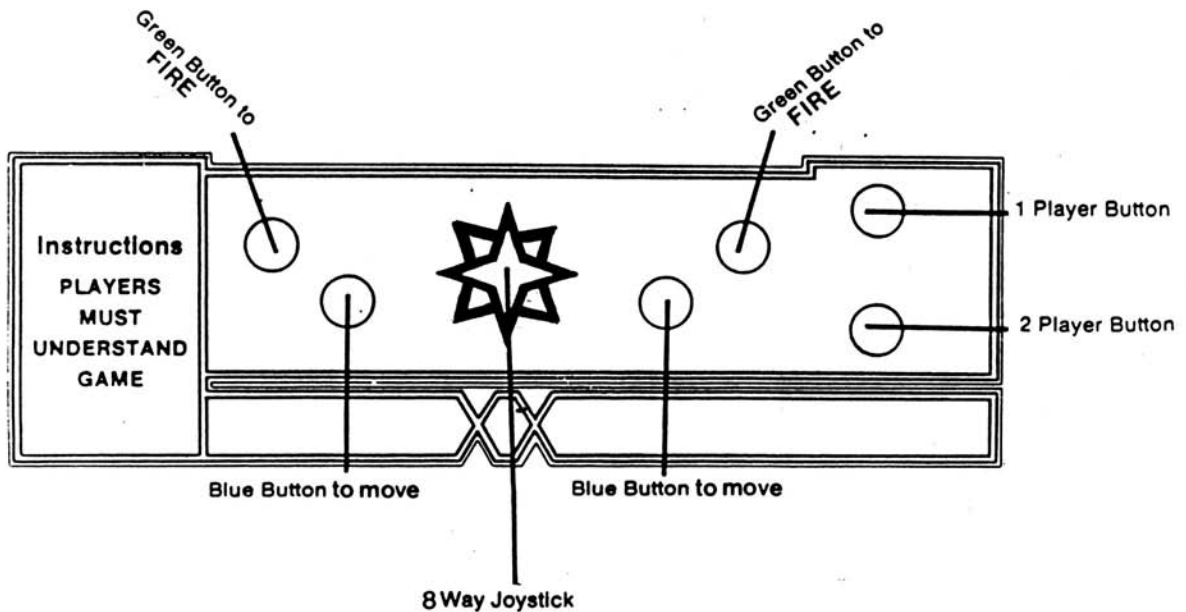
## CONVERTABILITY FEATURE

IGMO has an exclusive built-in convertability feature which enables the operator to quickly change IGMO into the next available conversion game. This convertability feature relies on the addition of an "ID MODULE" which will allow the game logic board to execute the new game. Wires are provided on the IGMO harness for the future connection to the "ID MODULE". (Do not detach these extra wires) IGMO does not require an "ID MODULE" therefore one was not provided. However, when the next conversion is purchased, a new set of EPROM's and an "ID MODULE" will be sent along with the installation instructions for the new game.

Because of the "ID MODULE" feature, new top earning games may be installed simply by replacing the EPROM's and the "ID MODULE" at a substantial savings to the operator.

## FRONT PANEL LAYOUT

*We suggest you follow this layout as it is working very well*



**It is important to put buttons on either side of Joystick to appeal to left or right handed players**

### Edgeconnector Assignments

| Pin No. | SOLDER SIDE                | Pin No. | PARTS SIDE                   |
|---------|----------------------------|---------|------------------------------|
| A       | GND-Black                  | 1       | GND-Black                    |
| B       | GND-Black                  | 2       | GND-Black                    |
| C       | Plus 5 VDC-Red             | 3       | Plus 5 VDC-Red               |
| D       | Plus 5 VDC-Red             | 4       | Plus 5 VDC-Red               |
| E       | TO COIN COUNTER-Yellow     | 5       |                              |
| F       | LIGHT II-Yellow            | 6       | LIGHT I-Orange               |
| H       | ID MODULE-Green            | 7       | ID MODULE-White/Yellow       |
| J       | ID MODULE-Gray             | 8       | ID MODULE-Purple             |
| K       | ID MODULE-Purple           | 9       | ID MODULE-Gray               |
| L       | ID MODULE-White/Yellow     | 10      | ID MODULE-White/red          |
| M       | JOYSTICK UP-White/Red      | 11      | JOYSTICK RIGHT-Gray          |
| N       | JOYSTICK DOWN-Brown        | 12      | JOYSTICK LEFT-Blue           |
| P       |                            | 13      | FIRE BUTTON-Yellow           |
| R       | MOVE BUTTON - GREEN        | 14      |                              |
| S       | 1 PLAYER GAME BUTTON-White | 15      | COIN IN-Gray                 |
| T       |                            | 16      | 2 PLAYER GAME BUTTON-Brown   |
| U       |                            | 17      | DIAGNOSTICS BUTTON-White/Red |
| V       | BLUE GUN-Blue              | 18      | GREEN GUN-Green              |
| W       | Plus 5 VDC-Red             | 19      | Plus 5 VDC-Red               |
| X       | Plus 5 VDC-Red             | 20      | Plus 5 VDC-Red               |
| Y       | GND-Black                  | 21      | GND-Black                    |
| Z       | GND-Black                  | 22      | GND-Black                    |
| a       | Minus 5 VDC-Brown          | 23      | Minus 5 VDC-Brown            |
| b       | Minus 5 VDC-Brown          | 24      | Minus 5 VDC-Brown            |
| c       | Plus 12 VDC-Orange         | 25      | Plus 12 VDC-Orange           |
| d       | Plus 12 VDC-Orange         | 26      | Plus 12 VDC-Orange           |
| e       | RED GUN-Red                | 27      | SPEAKER-Yellow               |
| f       | EXTERNAL RESET-Purple      | 28      | COMPOSITE SYNC-White         |

### Dip Switch Assignments

S1 . . . . . ON -- 1 credit per coin  
OFF - 2 credits per coin

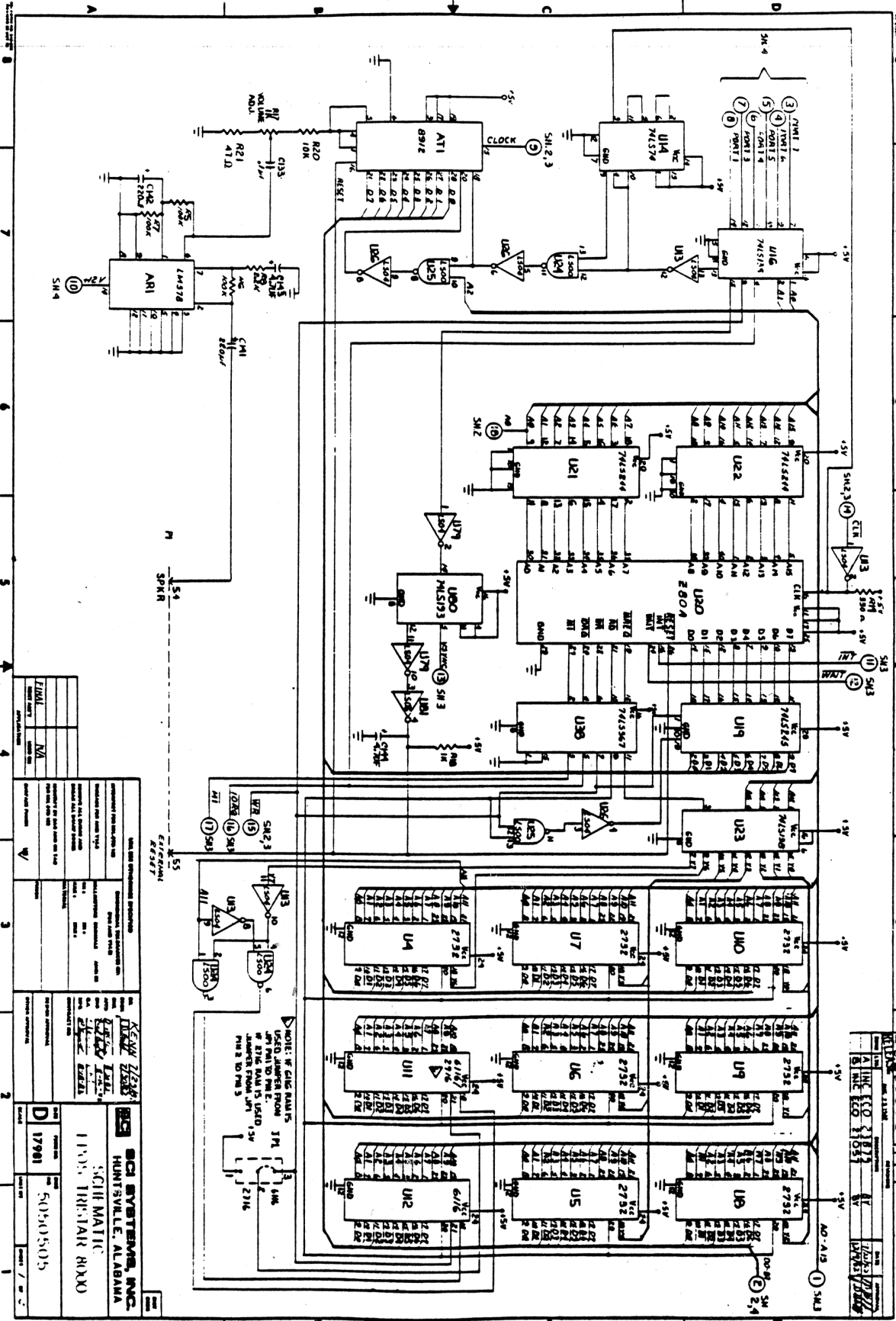
S2, S3 . . . . . ON, ON - 3 IGMO's per credit  
OFF, ON - 4 IGMO's per credit  
ON, OFF - 5 IGMO's per credit  
OFF,OFF - 6 IGMO's per credit

S4, S5 . . . . . ON, ON - Extra IGMO at 20000 points  
OFF, ON - Extra IGMO at 40000 points  
ON, OFF - Extra IGMO at 60000 points  
OFF,OFF - Extra IGMO at 80000 points

S6, S7, S8 . . . . . ON, ON, ON - Difficulty level 1  
OFF, ON, ON - Difficulty level 2  
ON, OFF, ON - Difficulty level 3  
OFF,OFF, ON - Difficulty level 4  
ON, ON, OFF - Difficulty level 5  
OFF, ON, OFF - Difficulty level 6  
ON, OFF, OFF - Difficulty level 7  
OFF,OFF, OFF - Difficulty level 8

**IMPORTANT INFORMATION CONCERNING THIS HARNESS**

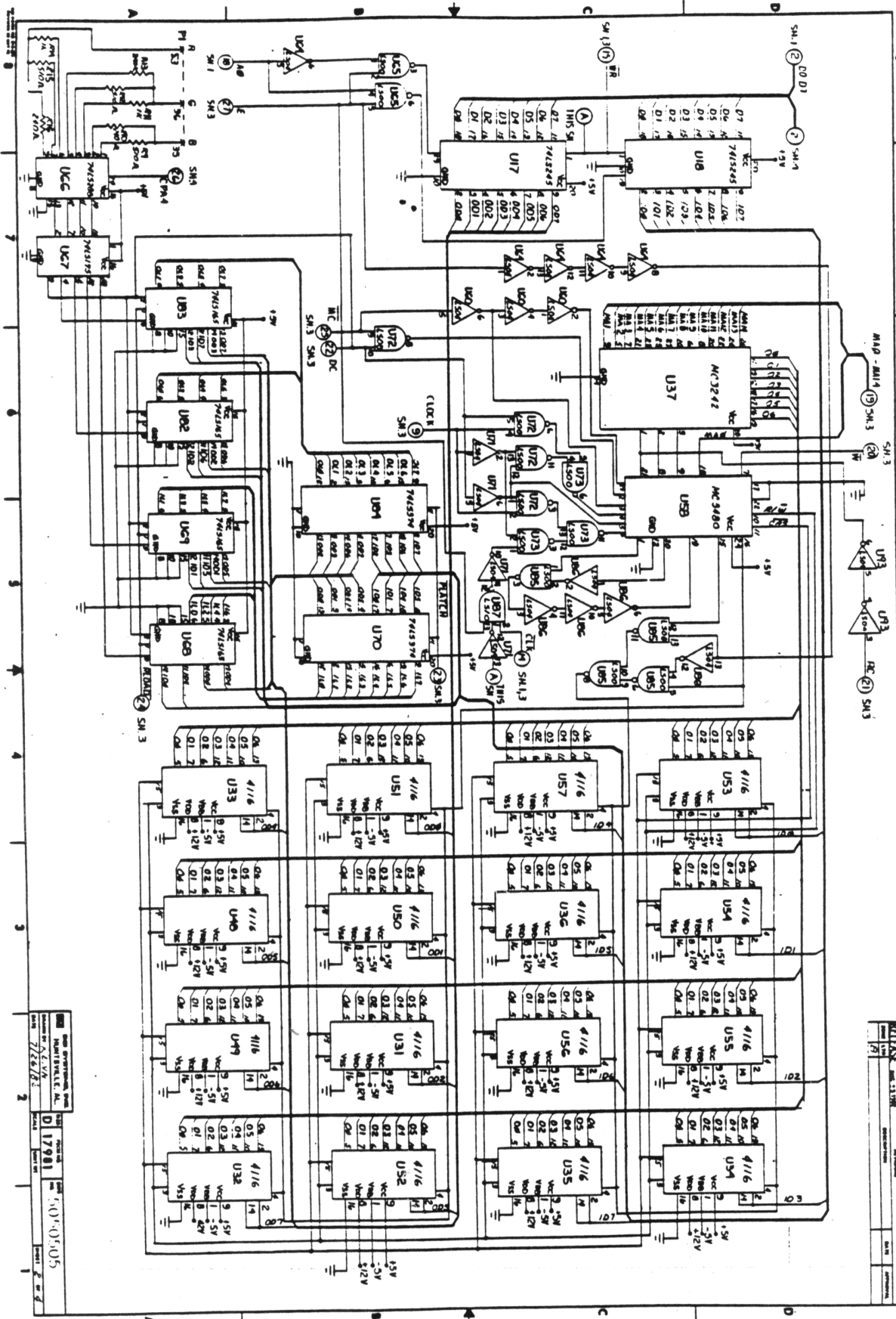
Wire groups labelled as GROUP 5 and GROUP 6 are provided for FUTURE GAME CONVERSIONS and are NOT required for operation of the IGMO game board. HOWEVER, it is strongly suggested that both groups (5 and 6) be unaltered and fastened securely to the side of the game cabinet for future use. Further information concerning game conversions can be obtained by corresponding with your distributor.



|   |  |   |  |
|---|--|---|--|
| <b>SCS SYSTEMS, INC.</b><br>HUNTSVILLE, ALABAMA<br>SCHEMATIC<br>1100 THURGOOD 8000<br>50504505<br>17981 |  | <b>REVISIONS</b><br>NO. 1<br>DATE<br>BY<br>CHECKED BY<br>APPROVED BY  |  |
| <b>DESCRIPTION</b><br>TITLE<br>PROJECT NO.<br>DRAWING NO.   |  | <b>DATE</b><br>BY<br>CHECKED BY<br>APPROVED BY  |  |
| <b>COMPONENTS</b><br>RESISTORS<br>CAPACITORS<br>IC'S<br>OTHER   |  | <b>NOTES</b><br>1. ALL DIMENSIONS ARE IN INCHES<br>2. DIMENSIONS ARE TO CENTER UNLESS OTHERWISE SPECIFIED<br>3. DIMENSIONS ARE TO FACE UNLESS OTHERWISE SPECIFIED<br>4. DIMENSIONS ARE TO CENTER UNLESS OTHERWISE SPECIFIED<br>5. DIMENSIONS ARE TO FACE UNLESS OTHERWISE SPECIFIED |  |

MODEL OF CASE BOARD'S  
 PARTS LIST TO BE  
 USED IN THIS BOARD IS  
 LISTED IN THE PARTS  
 LIST TO THE RIGHT  
 OF THIS BOARD IS  
 LISTED IN THE PARTS  
 LIST TO THE RIGHT

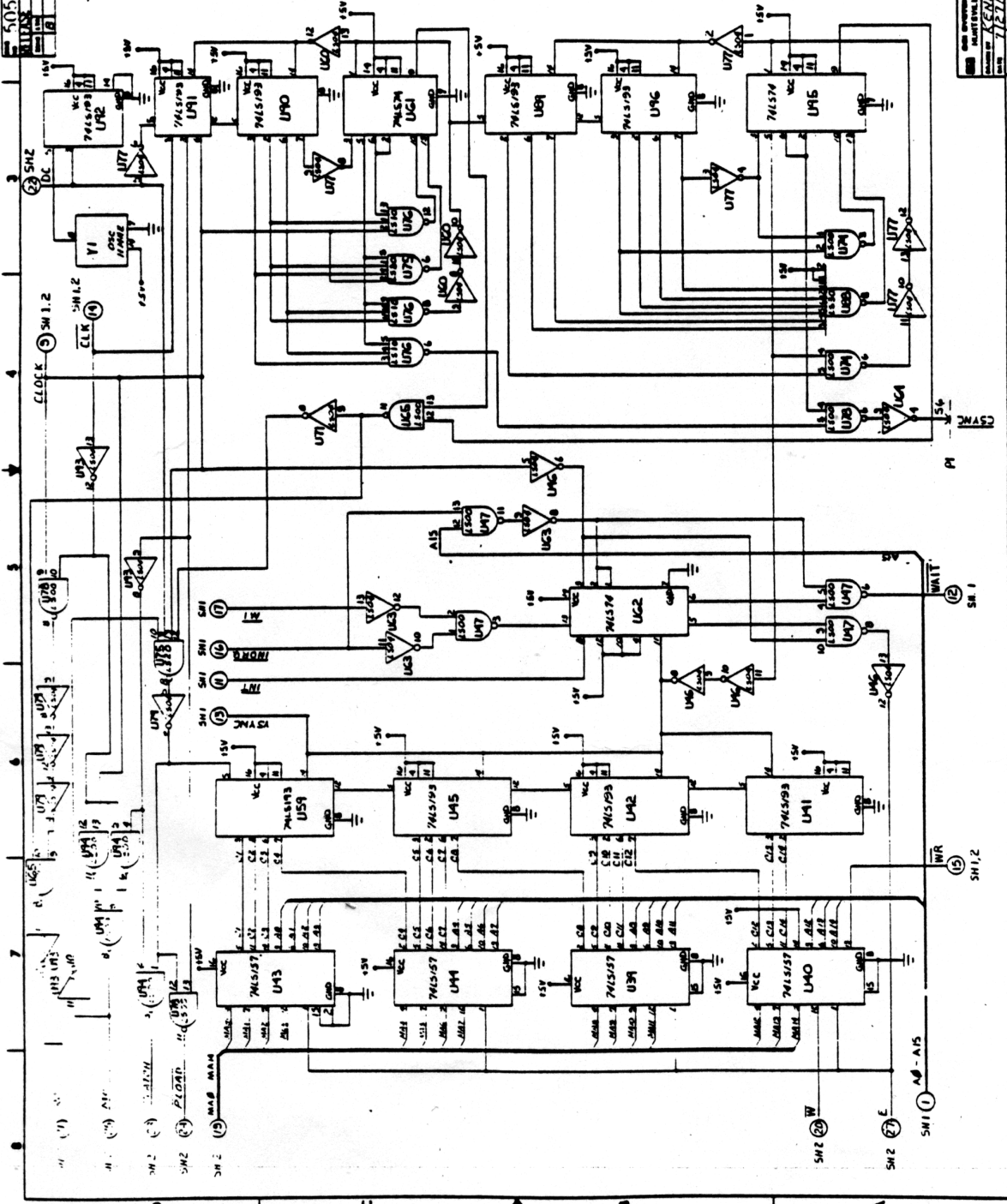




MODEL NO. 050505  
 SERIAL NO. 17981  
 REV. 1.0  
 DATE 10/17/78  
 BY J. L. ...  
 CHECKED BY ...

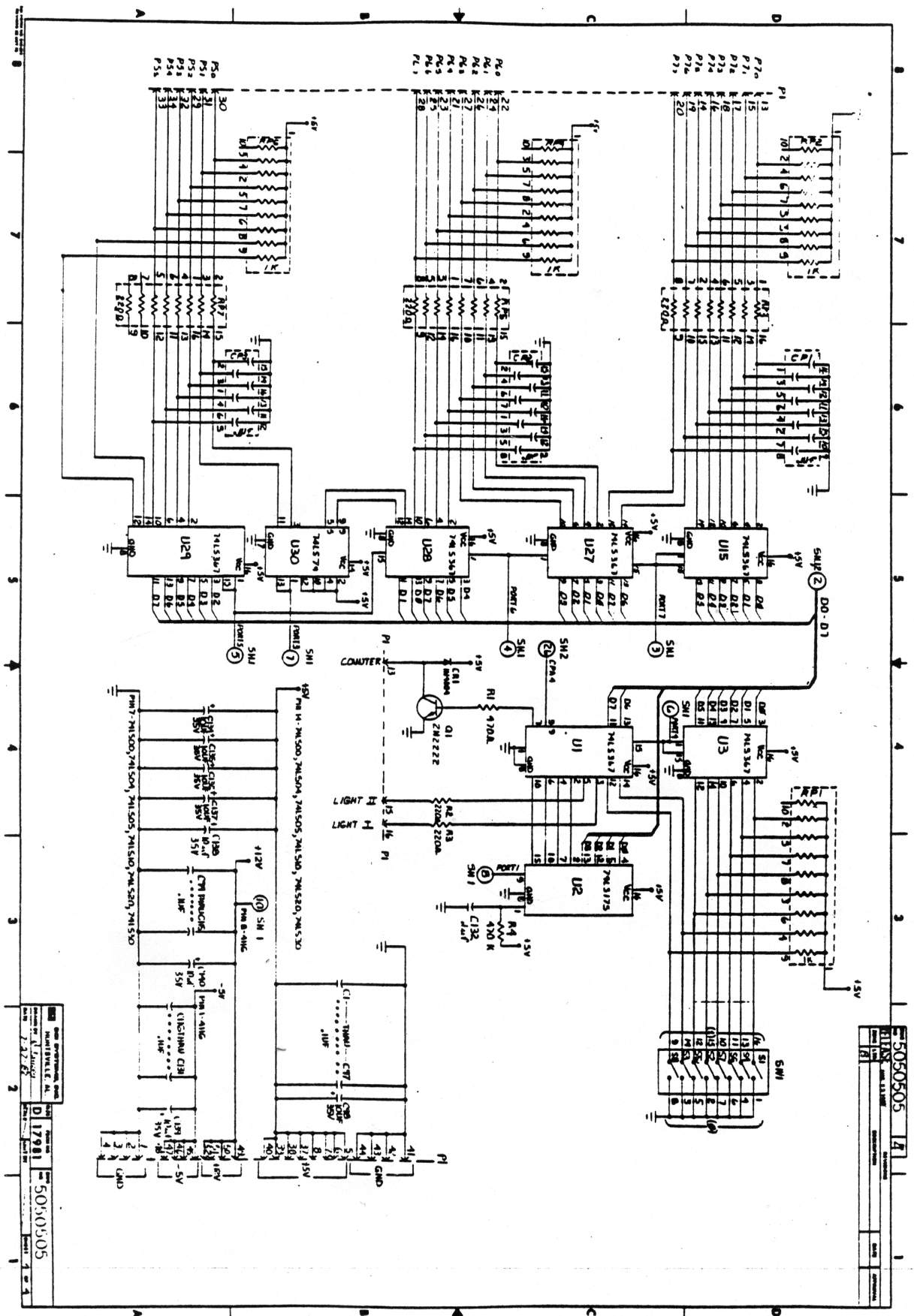
5050505  
REV 11-82

5050505  
REV 11-82  
D 17981  
7/27/82



SH1 (1)  
SH2 (2)  
SH3 (3)  
SH4 (4)  
SH5 (5)  
SH6 (6)  
SH7 (7)  
SH8 (8)  
SH9 (9)  
SH10 (10)  
SH11 (11)  
SH12 (12)  
SH13 (13)  
SH14 (14)  
SH15 (15)  
SH16 (16)  
SH17 (17)  
SH18 (18)  
SH19 (19)  
SH20 (20)  
SH21 (21)  
SH22 (22)  
SH23 (23)  
SH24 (24)  
SH25 (25)  
SH26 (26)  
SH27 (27)  
SH28 (28)  
SH29 (29)  
SH30 (30)  
SH31 (31)  
SH32 (32)  
SH33 (33)  
SH34 (34)  
SH35 (35)  
SH36 (36)  
SH37 (37)  
SH38 (38)  
SH39 (39)  
SH40 (40)  
SH41 (41)  
SH42 (42)  
SH43 (43)  
SH44 (44)  
SH45 (45)  
SH46 (46)  
SH47 (47)  
SH48 (48)  
SH49 (49)  
SH50 (50)  
SH51 (51)  
SH52 (52)  
SH53 (53)  
SH54 (54)  
SH55 (55)  
SH56 (56)  
SH57 (57)  
SH58 (58)  
SH59 (59)  
SH60 (60)  
SH61 (61)  
SH62 (62)  
SH63 (63)  
SH64 (64)  
SH65 (65)  
SH66 (66)  
SH67 (67)  
SH68 (68)  
SH69 (69)  
SH70 (70)  
SH71 (71)  
SH72 (72)  
SH73 (73)  
SH74 (74)  
SH75 (75)  
SH76 (76)  
SH77 (77)  
SH78 (78)  
SH79 (79)  
SH80 (80)  
SH81 (81)  
SH82 (82)  
SH83 (83)  
SH84 (84)  
SH85 (85)  
SH86 (86)  
SH87 (87)  
SH88 (88)  
SH89 (89)  
SH90 (90)  
SH91 (91)  
SH92 (92)  
SH93 (93)  
SH94 (94)  
SH95 (95)  
SH96 (96)  
SH97 (97)  
SH98 (98)  
SH99 (99)  
SH100 (100)

SH1 (1)  
SH2 (2)  
SH3 (3)  
SH4 (4)  
SH5 (5)  
SH6 (6)  
SH7 (7)  
SH8 (8)  
SH9 (9)  
SH10 (10)  
SH11 (11)  
SH12 (12)  
SH13 (13)  
SH14 (14)  
SH15 (15)  
SH16 (16)  
SH17 (17)  
SH18 (18)  
SH19 (19)  
SH20 (20)  
SH21 (21)  
SH22 (22)  
SH23 (23)  
SH24 (24)  
SH25 (25)  
SH26 (26)  
SH27 (27)  
SH28 (28)  
SH29 (29)  
SH30 (30)  
SH31 (31)  
SH32 (32)  
SH33 (33)  
SH34 (34)  
SH35 (35)  
SH36 (36)  
SH37 (37)  
SH38 (38)  
SH39 (39)  
SH40 (40)  
SH41 (41)  
SH42 (42)  
SH43 (43)  
SH44 (44)  
SH45 (45)  
SH46 (46)  
SH47 (47)  
SH48 (48)  
SH49 (49)  
SH50 (50)  
SH51 (51)  
SH52 (52)  
SH53 (53)  
SH54 (54)  
SH55 (55)  
SH56 (56)  
SH57 (57)  
SH58 (58)  
SH59 (59)  
SH60 (60)  
SH61 (61)  
SH62 (62)  
SH63 (63)  
SH64 (64)  
SH65 (65)  
SH66 (66)  
SH67 (67)  
SH68 (68)  
SH69 (69)  
SH70 (70)  
SH71 (71)  
SH72 (72)  
SH73 (73)  
SH74 (74)  
SH75 (75)  
SH76 (76)  
SH77 (77)  
SH78 (78)  
SH79 (79)  
SH80 (80)  
SH81 (81)  
SH82 (82)  
SH83 (83)  
SH84 (84)  
SH85 (85)  
SH86 (86)  
SH87 (87)  
SH88 (88)  
SH89 (89)  
SH90 (90)  
SH91 (91)  
SH92 (92)  
SH93 (93)  
SH94 (94)  
SH95 (95)  
SH96 (96)  
SH97 (97)  
SH98 (98)  
SH99 (99)  
SH100 (100)



|         |     |    |      |
|---------|-----|----|------|
| 5050505 |     | 4  | 1    |
| DATE    | REV | BY | CHKD |
|         |     |    |      |
|         |     |    |      |

5050505  
 17981  
 5050505  
 17981



PARTS LIST  
CONTINUATION SHEET

**BCI** BCI SYSTEMS, INC.  
HUNTSVILLE, ALABAMA

FROM NO.  
17981

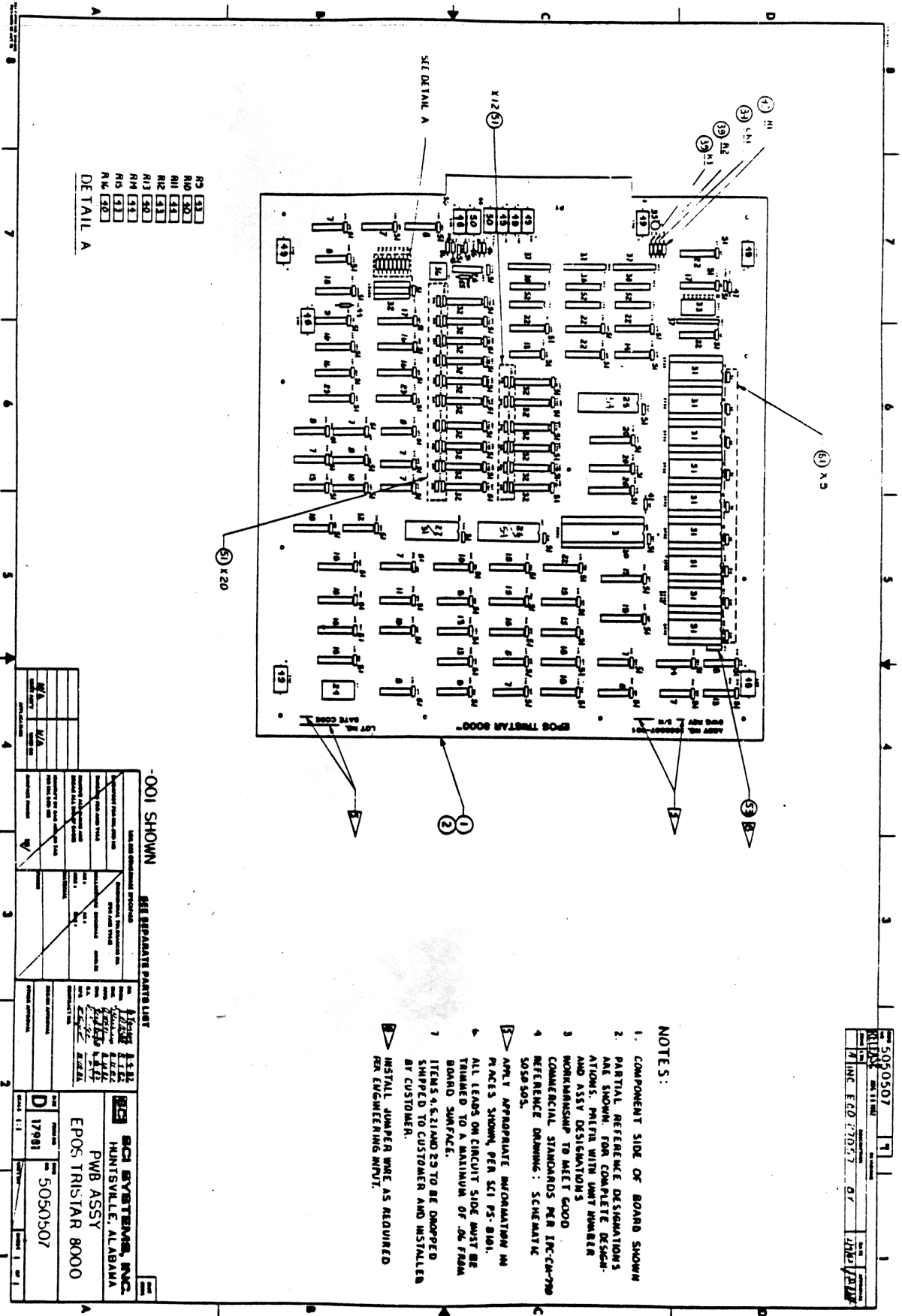
RELEASE DATE  
AUG 23 1982

PL 5050507

SHEET  
2  
OF  
2

RELEASE

| ITEM NO. | QTY REQD | QTY REQD | QTY REQD | QTY REQD | SCI CONTROL NO. | DESCRIPTION/NOMENCLATURE | FROM NO. | PART IDENTIFICATION NO. | DOC/SEC NO. |
|----------|----------|----------|----------|----------|-----------------|--------------------------|----------|-------------------------|-------------|
|          |          |          |          |          |                 |                          |          |                         |             |
| 317      |          |          |          |          |                 | REPAIR KIT               |          |                         |             |
| 318      |          |          |          |          |                 | REPAIR KIT               |          |                         |             |
| 319      |          |          |          |          |                 | REPAIR KIT               |          |                         |             |
| 320      |          |          |          |          |                 | REPAIR KIT               |          |                         |             |
| 321      |          |          |          |          |                 | REPAIR KIT               |          |                         |             |
| 322      |          |          |          |          |                 | REPAIR KIT               |          |                         |             |
| 323      |          |          |          |          |                 | REPAIR KIT               |          |                         |             |
| 324      |          |          |          |          |                 | REPAIR KIT               |          |                         |             |
| 325      |          |          |          |          |                 | REPAIR KIT               |          |                         |             |
| 326      |          |          |          |          |                 | REPAIR KIT               |          |                         |             |
| 327      |          |          |          |          |                 | REPAIR KIT               |          |                         |             |
| 328      |          |          |          |          |                 | REPAIR KIT               |          |                         |             |
| 329      |          |          |          |          |                 | REPAIR KIT               |          |                         |             |
| 330      |          |          |          |          |                 | REPAIR KIT               |          |                         |             |
| 331      |          |          |          |          |                 | REPAIR KIT               |          |                         |             |
| 332      |          |          |          |          |                 | REPAIR KIT               |          |                         |             |
| 333      |          |          |          |          |                 | REPAIR KIT               |          |                         |             |
| 334      |          |          |          |          |                 | REPAIR KIT               |          |                         |             |
| 335      |          |          |          |          |                 | REPAIR KIT               |          |                         |             |
| 336      |          |          |          |          |                 | REPAIR KIT               |          |                         |             |
| 337      |          |          |          |          |                 | REPAIR KIT               |          |                         |             |
| 338      |          |          |          |          |                 | REPAIR KIT               |          |                         |             |
| 339      |          |          |          |          |                 | REPAIR KIT               |          |                         |             |
| 340      |          |          |          |          |                 | REPAIR KIT               |          |                         |             |
| 341      |          |          |          |          |                 | REPAIR KIT               |          |                         |             |
| 342      |          |          |          |          |                 | REPAIR KIT               |          |                         |             |
| 343      |          |          |          |          |                 | REPAIR KIT               |          |                         |             |
| 344      |          |          |          |          |                 | REPAIR KIT               |          |                         |             |
| 345      |          |          |          |          |                 | REPAIR KIT               |          |                         |             |
| 346      |          |          |          |          |                 | REPAIR KIT               |          |                         |             |
| 347      |          |          |          |          |                 | REPAIR KIT               |          |                         |             |
| 348      |          |          |          |          |                 | REPAIR KIT               |          |                         |             |
| 349      |          |          |          |          |                 | REPAIR KIT               |          |                         |             |
| 350      |          |          |          |          |                 | REPAIR KIT               |          |                         |             |
| 351      |          |          |          |          |                 | REPAIR KIT               |          |                         |             |
| 352      |          |          |          |          |                 | REPAIR KIT               |          |                         |             |
| 353      |          |          |          |          |                 | REPAIR KIT               |          |                         |             |
| 354      |          |          |          |          |                 | REPAIR KIT               |          |                         |             |
| 355      |          |          |          |          |                 | REPAIR KIT               |          |                         |             |
| 356      |          |          |          |          |                 | REPAIR KIT               |          |                         |             |
| 357      |          |          |          |          |                 | REPAIR KIT               |          |                         |             |
| 358      |          |          |          |          |                 | REPAIR KIT               |          |                         |             |
| 359      |          |          |          |          |                 | REPAIR KIT               |          |                         |             |
| 360      |          |          |          |          |                 | REPAIR KIT               |          |                         |             |
| 361      |          |          |          |          |                 | REPAIR KIT               |          |                         |             |
| 362      |          |          |          |          |                 | REPAIR KIT               |          |                         |             |
| 363      |          |          |          |          |                 | REPAIR KIT               |          |                         |             |
| 364      |          |          |          |          |                 | REPAIR KIT               |          |                         |             |
| 365      |          |          |          |          |                 | REPAIR KIT               |          |                         |             |
| 366      |          |          |          |          |                 | REPAIR KIT               |          |                         |             |
| 367      |          |          |          |          |                 | REPAIR KIT               |          |                         |             |
| 368      |          |          |          |          |                 | REPAIR KIT               |          |                         |             |
| 369      |          |          |          |          |                 | REPAIR KIT               |          |                         |             |
| 370      |          |          |          |          |                 | REPAIR KIT               |          |                         |             |
| 371      |          |          |          |          |                 | REPAIR KIT               |          |                         |             |
| 372      |          |          |          |          |                 | REPAIR KIT               |          |                         |             |
| 373      |          |          |          |          |                 | REPAIR KIT               |          |                         |             |
| 374      |          |          |          |          |                 | REPAIR KIT               |          |                         |             |
| 375      |          |          |          |          |                 | REPAIR KIT               |          |                         |             |
| 376      |          |          |          |          |                 | REPAIR KIT               |          |                         |             |
| 377      |          |          |          |          |                 | REPAIR KIT               |          |                         |             |
| 378      |          |          |          |          |                 | REPAIR KIT               |          |                         |             |
| 379      |          |          |          |          |                 | REPAIR KIT               |          |                         |             |
| 380      |          |          |          |          |                 | REPAIR KIT               |          |                         |             |
| 381      |          |          |          |          |                 | REPAIR KIT               |          |                         |             |
| 382      |          |          |          |          |                 | REPAIR KIT               |          |                         |             |
| 383      |          |          |          |          |                 | REPAIR KIT               |          |                         |             |
| 384      |          |          |          |          |                 | REPAIR KIT               |          |                         |             |
| 385      |          |          |          |          |                 | REPAIR KIT               |          |                         |             |
| 386      |          |          |          |          |                 | REPAIR KIT               |          |                         |             |
| 387      |          |          |          |          |                 | REPAIR KIT               |          |                         |             |
| 388      |          |          |          |          |                 | REPAIR KIT               |          |                         |             |
| 389      |          |          |          |          |                 | REPAIR KIT               |          |                         |             |
| 390      |          |          |          |          |                 | REPAIR KIT               |          |                         |             |
| 391      |          |          |          |          |                 | REPAIR KIT               |          |                         |             |
| 392      |          |          |          |          |                 | REPAIR KIT               |          |                         |             |
| 393      |          |          |          |          |                 | REPAIR KIT               |          |                         |             |
| 394      |          |          |          |          |                 | REPAIR KIT               |          |                         |             |
| 395      |          |          |          |          |                 | REPAIR KIT               |          |                         |             |
| 396      |          |          |          |          |                 | REPAIR KIT               |          |                         |             |
| 397      |          |          |          |          |                 | REPAIR KIT               |          |                         |             |
| 398      |          |          |          |          |                 | REPAIR KIT               |          |                         |             |
| 399      |          |          |          |          |                 | REPAIR KIT               |          |                         |             |
| 400      |          |          |          |          |                 | REPAIR KIT               |          |                         |             |



- R9 31
  - R10 30
  - R11 43
  - R12 43
  - R13 30
  - R14 43
  - R15 43
  - R16 30
- DETAIL A

**SEE SEPARATE PARTS LIST**

|   |  |  |  |
|---|--|--|--|
| <p>001 SHOWN</p> <p>DATE: 11/11/81</p> <p>BY: [Signature]</p> <p>REV: 1</p> | <p>DATE: 11/11/81</p> <p>BY: [Signature]</p> <p>REV: 1</p> | <p>DATE: 11/11/81</p> <p>BY: [Signature]</p> <p>REV: 1</p> | <p>DATE: 11/11/81</p> <p>BY: [Signature]</p> <p>REV: 1</p> |
|---|--|--|--|

**SCI SYSTEMS, INC.**  
HUNTSVILLE, ALABAMA

**EPOS TRISTAR 8000**

PWB ASSY

5050507

17981

- NOTES:**
1. COMPONENT SIDE OF BOARD SHOWN
  2. PARTIAL REFERENCE DESIGNATIONS ARE SHOWN. FOR COMPLETE DESIGNATIONS, REFER TO PART NUMBER AND ASSY DESIGNATIONS
  3. WORKMANSHIP TO MEET GOOD COMMERCIAL STANDARDS PER IPC-CM-709
  4. REFERENCE DRAWING: SCHEMATIC 5050507
  5. APPLY APPROPRIATE INFORMATION IN PAGES SHOWN, PER SCI PS-8101.
  6. ALL LEADS ON CIRCUIT SIDE MUST BE TRIMMED TO A MAXIMUM OF .06 FROM BOARD SURFACE.
  7. ITEMS 4, 5, 21 AND 23 TO BE DROPPED SHIPPED TO CUSTOMER AND INSTALLED BY CUSTOMER.
- INSTALL JUMPER WIRE AS REQUIRED PER ENGINEERING INTJ.