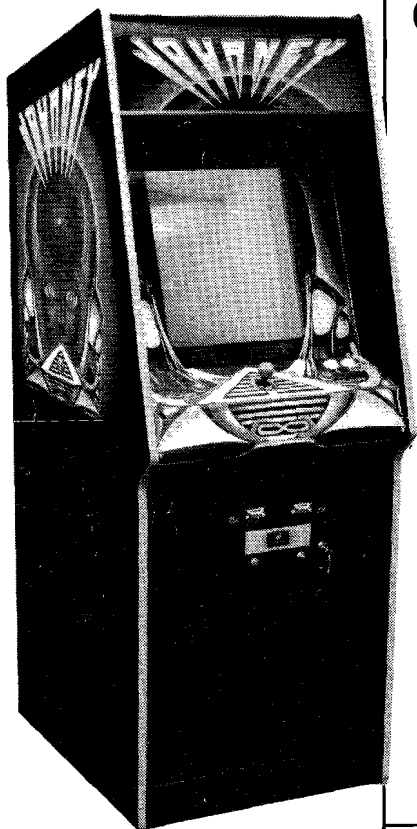
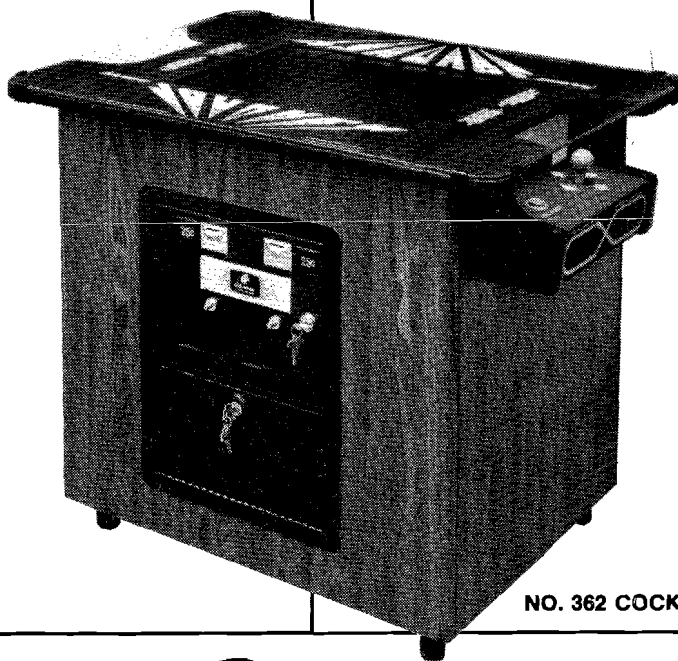


Parts and Operating Manual



NO. 358 UPRIGHT



NO. 362 COCKTAIL

Bally

MIDWAY MFG. CO.

10601 W. Belmont Avenue
Franklin Park, Illinois 60131
U.S.A.



Phone: (312) 451-9200 Cable Address: MIDCO Telex No.: 72-1596

WARNING

THIS GAME MUST BE GROUNDED. FAILURE TO DO SO MAY RESULT IN DESTRUCTION TO ELECTRONIC COMPONENTS.

WARNING: This equipment generates, uses, and can radiate radio frequency energy and if not used in accordance with the instructions manual, may cause interference to radio communications. It has been tested and found to comply with the limits for a CLASS A computing device pursuant to SUBPART J of PART 15 of FCC RULES, which are designed to provide reasonable protection against such interference when operated in a commercial environment. Operation of this equipment in a residential area is likely to cause interference in which case the user at his own expense will be required to take whatever measures may be required to correct the interference.

ELECTRICAL BULLETIN: FOR ALL APPARATUS COVERED BY THE CANADIAN STANDARDS ASSOCIATION (CSA) STANDARD C22.2 NO. 1, WHICH EMPLOYS A SUPPLY CORD TERMINATED WITH A POLARIZED 2-PRONG ATTACHMENT PLUG.

CAUTION: TO PREVENT ELECTRIC SHOCK DO NOT USE THIS (POLARIZED) PLUG WITH AN EXTENSION CORD, RECEPTACLE OR OTHER OUTLET UNLESS THE BLADES CAN BE FULLY INSERTED TO PREVENT BLADE EXPOSURE.

ATTENTION: POUR PREVENIR CHOCS ELECTRIQUES NE PAS UTILISER CETTE FICHE POLARISEE AVEC UN PROLONGATEUR, UNE PRISE DE COURANT OU UNE AUTRE SORTIE DE COURANT, SAUF SI LES LAMES PEUVENT ETRE INSEREES A FOND SANS EN LAISSER AUCUNE PARTIE A DECOUVERT.

Bally* | **MIDWAY*
T.M.

Invites You To Use

**OUR TOLL FREE NUMBERS FOR
SERVICE INFORMATION CONCERNING THIS GAME, OR ANY
OTHER BALLY/MIDWAY™ GAME YOU NOW HAVE ON LOCATION.**

**CALL US FOR PROMPT, COURTEOUS
ANSWERS TO YOUR PROBLEMS.**

**Continental U.S. 800-323-7182
Illinois Only 1-800-942-0497**

© COPYRIGHT MCMLXXXIII BY BALLY/MIDWAY CO. ALL RIGHTS RESERVED.

NO PART OF THIS PUBLICATION MAY BE REPRODUCED BY ANY MECHANICAL, PHOTOGRAPHIC, OR ELECTRONIC PROCESS, OR IN THE FORM OF A PHONOGRAPHIC RECORDING, NOR MAY IT BE TRANSMITTED, OR OTHERWISE COPIED FOR PUBLIC OR PRIVATE USE, WITHOUT PERMISSION FROM THE PUBLISHER. THIS MANUAL IS FOR SERVICE USE ONLY, AND NOT FOR GENERAL DISTRIBUTION. FOR PERMISSION REQUESTS, WRITE: MIDWAY MFG. CO., 10750 W. GRAND AVE., FRANKLIN PARK, IL 60131

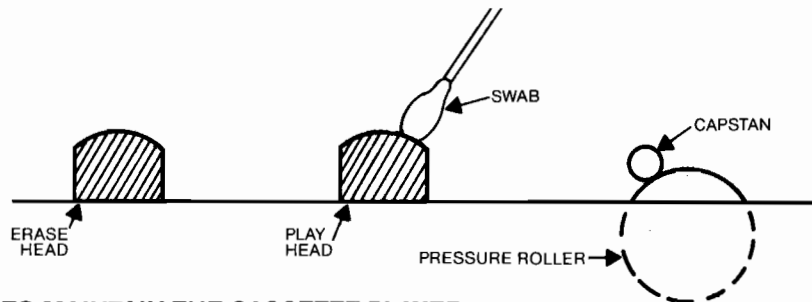
Printed in U.S.A.

TABLE OF CONTENTS

DESCRIPTION	PAGE
I. Game Operation	
Attract Mode	1-1
Ready-To-Play Mode	1-3
Play Mode	1-4
Two Player Operation	1-6
II. Illustrated Parts Breakdown	
No. 358 - Journey Upright - Front	2-2
No. 358 - Journey Upright - Front Parts List	2-3
No. 358 - Journey Upright - Rear Access	2-4
No. 358 - Journey Upright - Rear Access Parts List	2-5
Journey - Control Assembly - All Versions Parts List	2-6
Journey - Control Assembly - All Versions	2-7
No. 362 - Journey Cocktail - Front	2-8
No. 362 - Journey Cocktail - Front - Parts List	2-9
No. 362 - Journey Cocktail - Interior Access	2-10
No. 362 - Journey Cocktail - Interior Access - Parts List	2-11
Journey - Header Fluorescent Fixture Assy.	2-13
Journey - Header Fluorescent Fixture Assy. - Parts List	2-13
Journey - Power Chassis Assy. - 125VA., 115V.	2-14
Journey - Power Chassis Assy. - 125VA., 115V. - Parts List	2-15
Journey - Front Door Assy. - U.S.A. 25¢	2-16
Journey - Front Door Assy. - U.S.A. 25¢ - Parts List	2-17
III. Schematics and Wiring Diagrams	
Wiring Diagram - Upright & Cocktail	3-3
Dual Power Amp. with Cassette Interface - P.C.B. - Component Layout	3-4
Dual Power Amp. with Cassette Interface - P.C.B. - Schematic	3-5
Super Video Generator - P.C.B. - Component Layout	3-6
Super Video Generator - P.C.B. - Schematic	3-7
Super CPU MCRIII - P.C.B. - Component Layout	3-8
Super CPU MCRIII - P.C.B. - Schematic	3-9
Super Sound I/O - P.C.B. - Component Layout	3-10
Super Sound I/O - P.C.B. - Schematic	3-11
125VA. - Power Supply Board - Component Layout	3-12
125VA. - Power Supply Board - Schematic	3-13
125VA. - Power Chassis - Upright & Cocktail - Schematic	3-14

CASSETTE PLAYER MAINTENANCE

PERIODIC CLEANING OF THE HEADS, CAPSTAN, AND PRESSURE ROLLER IS NECESSARY FOR GOOD SOUND QUALITY. (BUILD-UP OF IRON OXIDE PARTICLES WILL CAUSE DISTORTED SOUND.)



TO MAINTAIN THE CASSETTE PLAYER:

1. REMOVE THE TOP FRONT CLAMPING BRACKET (4 SCREWS).
2. EJECT THE CASSETTE BY PRESSING THE "STOP-EJECT" BUTTON TWICE.
3. CLEAN THE HEADS, CAPSTAN, AND PRESSURE ROLLER WITH A SMALL COTTON SWAB THAT HAS BEEN DIPPED IN HEAD CLEANER SOLUTION OR ALCOHOL. AS AN ALTERNATE, A HEAD CLEANER CASSETTE TAPE MAY ALSO BE USED. HEAD CLEANING TAPES AND SOLUTIONS ARE AVAILABLE IN LOCAL RECORD SHOPS.

CAUTION: NEVER USE ANY METAL OBJECT ON OR NEAR THE HEADS. DO NOT ALLOW ANY CLEANING MATERIAL TO FALL INTO THE PLAYER'S MECHANISM.

4. DO NOT ADJUST THE VOLUME CONTROL—IT HAS BEEN SET AT THE FACTORY.
5. REPLACE THE CASSETTE. HEED THE WARNING LABEL. THE CASSETTE MUST BE PLACED INTO THE CASSETTE COMPARTMENT WITH THE BALLY-MIDWAY IDENTIFICATION LABEL SIDE UP. IT WILL NOT WORK IF INSERTED INTO THE CASSETTE COMPARTMENT UP-SIDE-DOWN.
6. PRESS THE PLAY BUTTON (MARKED ►) UNTIL IT STAYS LATCHED IN THE DOWN POSITION.
7. IF PLAYER WAS REMOVED FROM CABINET, BE SURE TO RECONNECT THE EXTERNAL POWER AND SPEAKER JACKS TO THE SAME RECEPTACLES FROM WHICH YOU REMOVED THEM.
8. REINSTALL THE CLAMPING BRACKET (4 SCREWS).

NOTE: THE TAPE PLAYER MUST ALWAYS BE OPERATED IN THE HORIZONTAL POSITION ONLY!!

M051-00358-A 013

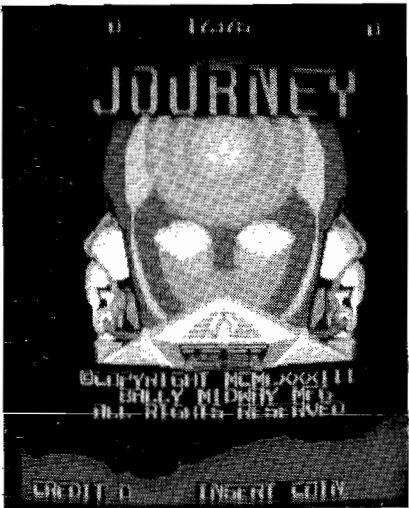
Journey

I. Game Operation

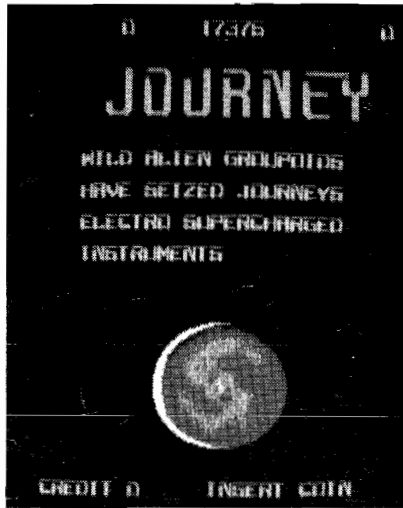
ATTRACT MODE

1. The Attract mode starts:

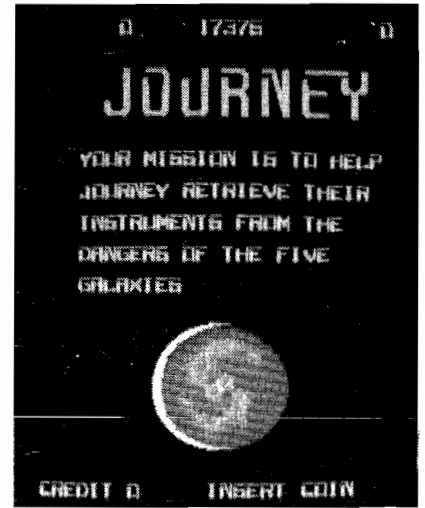
- Just after power has been turned on to the game. (Self-Test switch is in the "OFF" position.
- After a Self-Test has been completed and there are no more credits left in the games memory.
- After a play has been finished, the score was not high enough to put the game into the High Score/Initial mode, and there are no more credits left in the games memory.
- After the High Score/Initial mode when there are no more credits left in its memory.
- In the Attract mode, the game will give the following displays **centered** on the monitor screen:



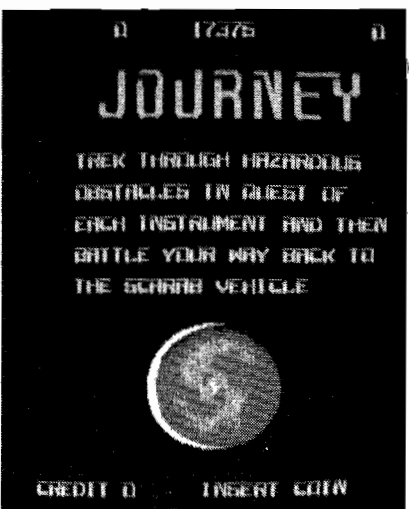
Attract Mode Display 1



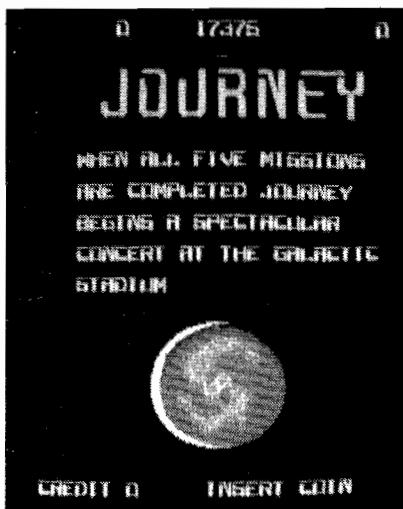
Attract Mode Display 2



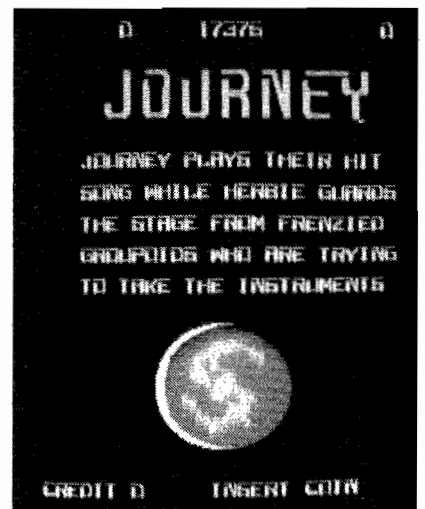
Attract Mode Display 3



Attract Mode Display 4



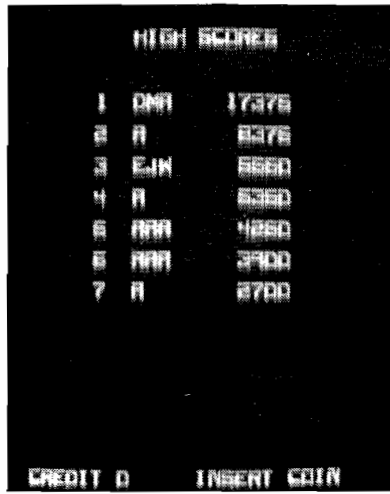
Attract Mode Display 5



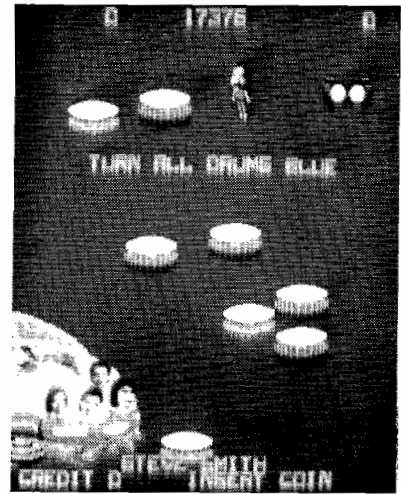
Attract Mode Display 6



Attract Mode Display 7



Attract Mode Display 8



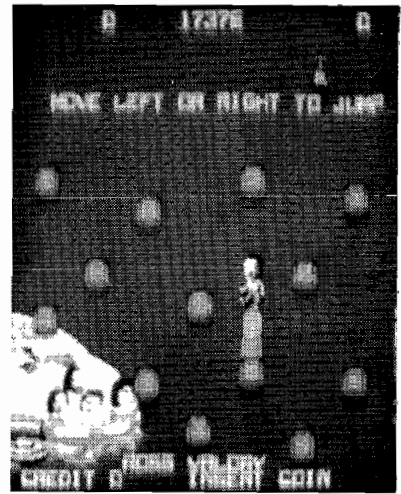
Attract Mode Display 9



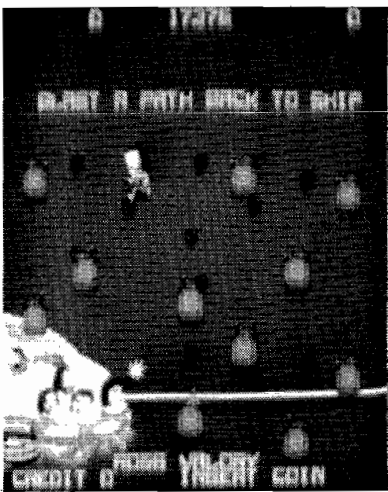
Attract Mode Display 10



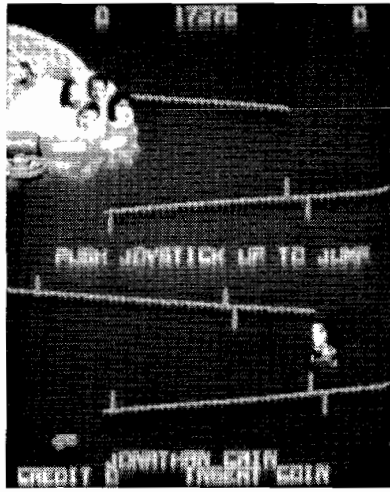
Attract Mode Display 11



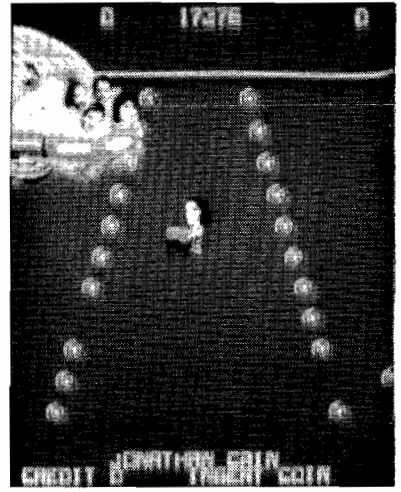
Attract Mode Display 12



Attract Mode Display 13



Attract Mode Display 14



Attract Mode Display 15



Attract Mode Display 16

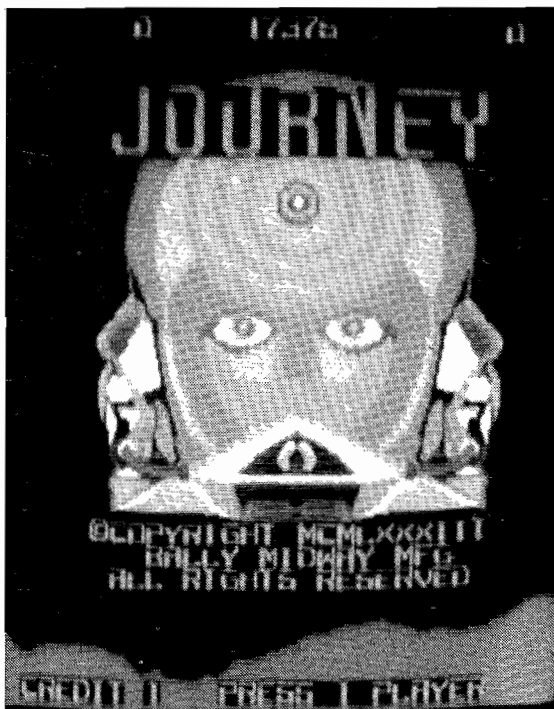


Attract Mode Display 17

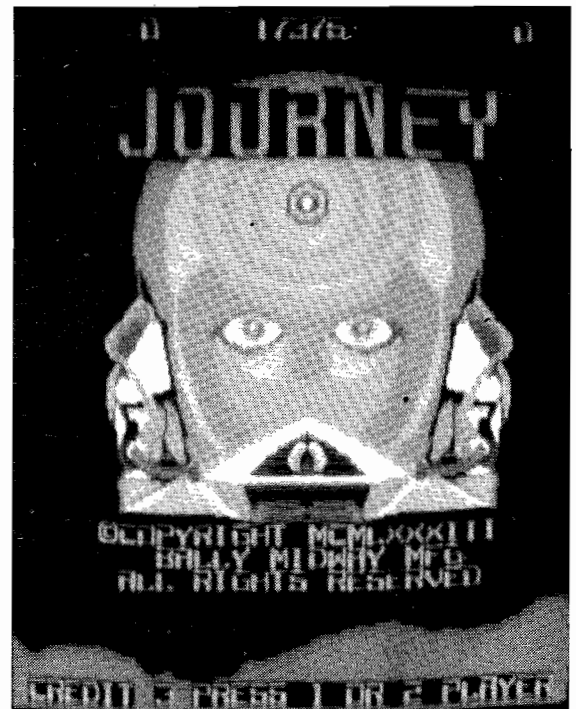
- No matter where the game is in the Attract mode sequence, it will immediately add the words "CREDIT ___" and "PRESS 1 OR 2 PLAYER" or "PRESS 1 OR 2 PLAYER" to the bottom of this display and all other displays in the Attract mode sequence. These words will remain at the bottom of these displays in the Attract mode sequence until the "1 PLAYER" or the "2 PLAYER" start button is pressed.

READY-TO-PLAY MODE

1. The Ready-To-Play mode starts when enough coins have been accepted for a 1 or a 2 player game.
2. The Ready-To-Play mode ends when either the "1 PLAYER" or "2 PLAYER" push button is pressed.
3. In the Ready-To-Play mode, the game will give the below modified displays **centered** on the monitor screen:
4. If no START button is pressed, the displays will remain modified indefinitely as shown below.



Ready-To-Play Mode 1



Ready-To-Play Mode 2

PLAY MODE

1. The Play mode begins when either the "1 PLAYER" or the "2 PLAYER" START button is pressed.
2. The Play mode ends when all of your performers have been eliminated. When this happens, "GAME OVER" is written across the center of the monitor screen.
3. **ON THE SCREEN:** The game is made up of groups of 5 sequences for each rack. When play begins, all the performers run onto the screen and jump aboard their transport ship. The transport ship then lifts off and heads for a point in space that is at the center of a grouping of five planets. Each group members instrument is on a different planet.

At the beginning of each sequence, when a "2 PLAYER" game has been selected, the game tells which player is up.

Also indicated in each sequence of each rack is the number of players (1 or 2), a running total of the players score(s), and the highest game score to date.

4. **PLAY BEGINS:** From this point, the player has approximately 10 seconds to decide which planet he wants to take the transport ship to (which performers instrument he wants to retrieve). The transport ship is guided to the planet of your choice by using the control stick to direct its movement.
5. **OBSTACLES:** On each planet there are various obstacles that must be overcome in order for that particular performer to retrieve his instrument and make his way back to the transport ship.

1st PLANET: The performer must pass between the turnstiles without touching them, get his instrument, and shoot his way back to the transport ship.

2nd PLANET: Here the performer must leap onto the elevating pedestals, timing his ascent to grab his instrument as it passes by him at the top of the screen, and shoot his way back to the transport ship.

3rd PLANET: Here, the performer must leap the moving conveyor belt ridges without being touched to reach his instrument and then must shoot his way back to the transport ship.

4th PLANET: With his jet pack, the performer must traverse the dangerous passages in this cavern to finally retrieve his instrument and then fight his way back to the transport ship.

5th PLANET: The performer must jump from drum-head to drum-head, landing on all of them at least once in order to reach his instrument.

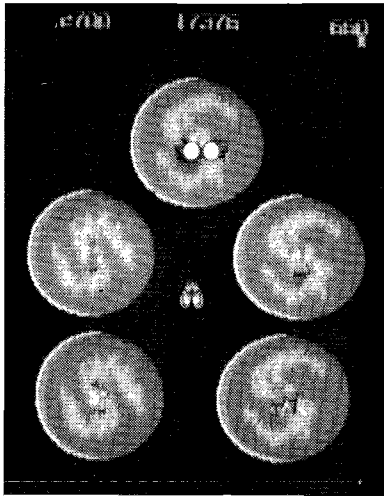
He then must shoot his way back to the transport ship.

6. **PERFORMERS:** When on each of the five planets, the performers movements are controlled by the control stick on the games control panel. They can basically move in any direction.
7. **ALL INSTRUMENTS RETRIEVED:** All the performers now move to a stage and give a performance of their latest hit blockbuster. They will play as long as the bouncer (controlled by the player) can keep the excited fans from overrunning the stage. When this happens, play starts all over again in the next rack which will be more difficult to complete. The performers all have to retrieve their instruments again.
8. **SEQUENCES:** Play ends in any particular sequence when one of 3 things happens.
 - a. The performer has a mishap and falls to the bottom of the screen.
 - b. The performer retrieves his instrument and shoots his way back to the transport ship.
 - c. The excited fans storm the stage (play advances to the next rack of 5 sequences).
9. **MISHAP:** Play will begin again (if you have reserve performers left) in space, all performers are in the transport ship, and the player has approximately 10 seconds to pick the next planet he wants to try.

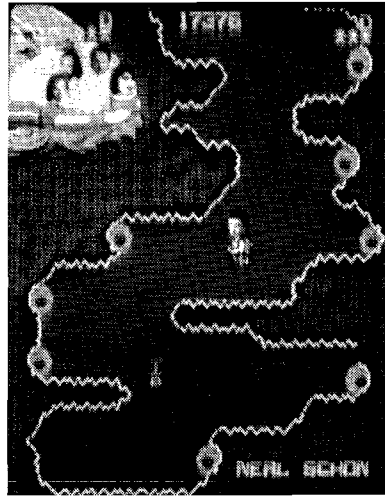
NOTE: You **cannot** pick a planet where the performer has already retrieved his instrument. These planets are indicated to the player by a wavy white ring around them.

If there are no more reserve performers left, "GAME OVER" is written across the screen.

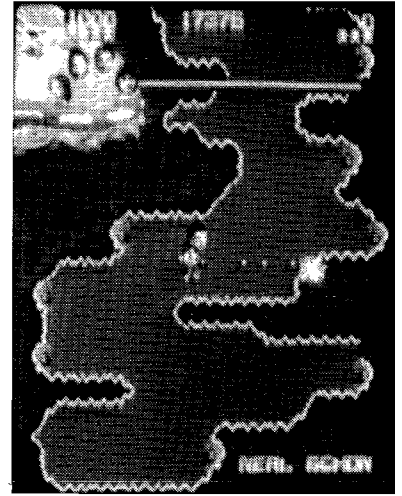
10. **TRANSPORT SHIP:** Your **ship** can move in **any direction** on the screen. Its movements are controlled by the control stick on the games control panel.
11. **FIRE CONTROL BUTTONS:** These control the rate of fire of your performer in; either left, right, up, or down directions (certain performers can only fire in certain directions). There are two fire control buttons on the Upright models to allow both left and right handed persons to play the game easily.
12. **CONTROL STICK:** By using the control stick you can position the transport ship/performer at any location you desire on the screen.
13. **BONUS PERFORMERS:** These can be awarded to the player as he reaches or passes certain preselected point values. This feature is adjustable by the games Owner/Operator.
14. **GAME ENDS:** When your last performer is eliminated. "GAME OVER" is written across the monitor screen.



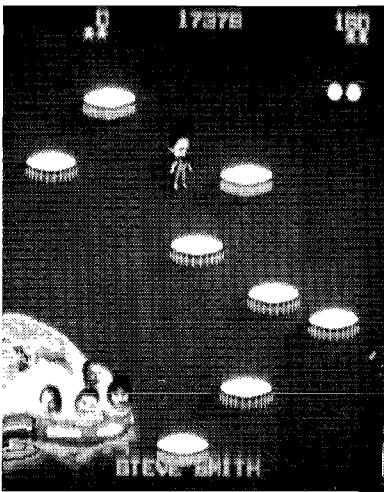
Play Mode Display 1



Play Mode Display 2



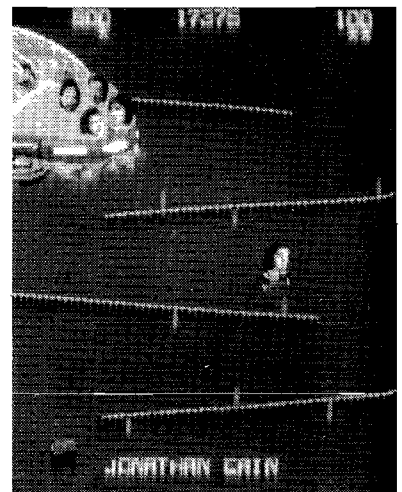
Play Mode Display 3



Play Mode Display 4



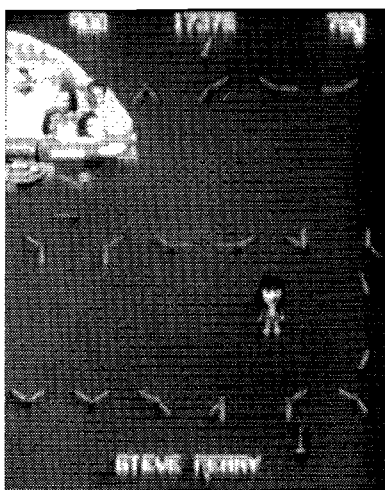
Play Mode Display 5



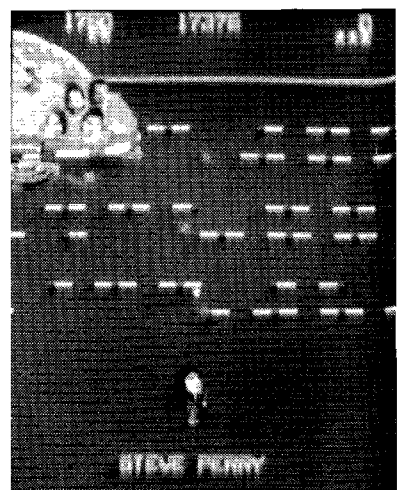
Play Mode Display 6



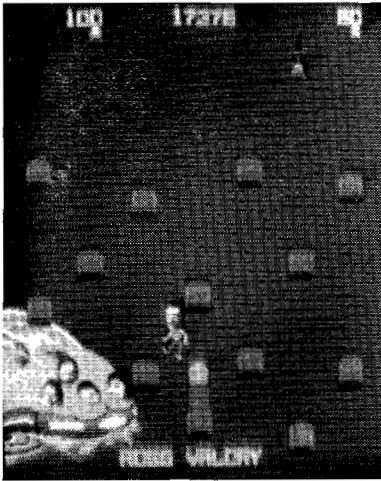
Play Mode Display 7



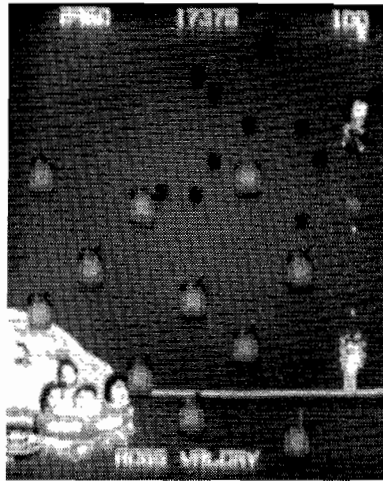
Play Mode Display 8



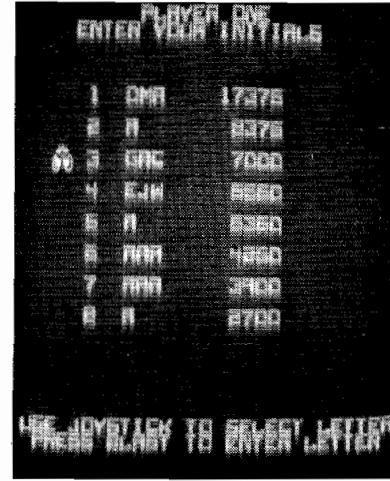
Play Mode Display 9



Play Mode Display 10



Play Mode Display 11

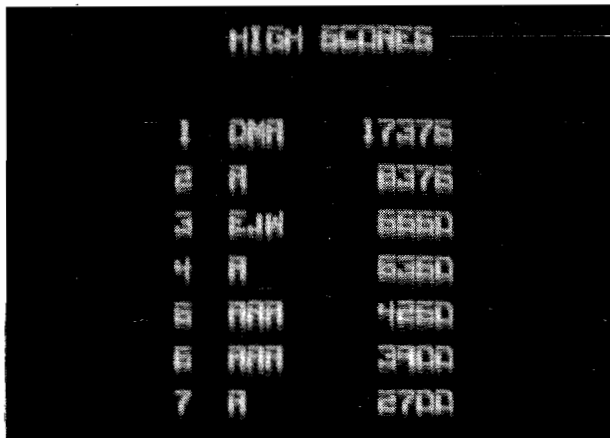


High Score/Initial Mode Display

15. **HIGH SCORE/INITIAL MODE:** If your score was high enough to become one of the ten best scores, the game will go into the High Score/Initial mode immediately after the above display. If your score is not high enough to cause the game to go into the High Score/Initial mode, it will either go to the Attract mode (if there are no more credits left in its memory) or into the Ready-To-Play mode (if there are still credits left in its memory). In the High Score/Initial mode, the game gives a display which looks like that shown in the above right figure.

Follow the ON-SCREEN instructions to enter your initials next to your score in the league of the best ten players to date.

When you've printed out your last initial, move the cursor opposite the "END" word and activate the same control you did to enter your initials. This tells the game you are through printing out your initials. The game will then give the following **rankings** display showing your score opposite your ranking and your initials. See Figure below.



Rankings Display

NOTE: If you don't tell the game you are through printing out your initials as instructed above, the game will automatically go into the **rankings** display after a short wait.

After the High Score/Initial mode, the game will either go to the Attract mode (if there are no more credits left in its memory) or into the Ready-To-Play mode (if there are still credits left in its memory).

16. Most of the above holds true in the "2 PLAYER" mode also. But there are a few minor differences.

TWO PLAYER OPERATION

The Upright and Cocktail Table models all have two player operation.

In the two player mode, the rules of play are the same as in the single player mode. There are some additional rules, however:

1. In the Upright models, the players must take turns at the controls.
2. In the Cocktail Table model, each player has his own set of individual controls. The picture will flip to face you when it is your turn. (When it is not your turn, your set of controls will have **no** effect on the game.)
3. Your turn lasts until your performer is eliminated. At this point, the game will do one of several things depending on whether or not the eliminated performer was your last or if you still have others remaining in reserve.

ELIMINATED PERFORMER - OTHERS REMAINING IN RESERVE

- The game stops and "PLAYER ____" is displayed on the screen.
- Next, the other players planets and transport ship appear on the monitor screen and game play begins for the other player.

ELIMINATED PERFORMER - NO OTHERS REMAINING IN RESERVE

- Game displays: "PLAYER ____" "GAME OVER" on the monitor screen.
- Next, the other players planets and transport ship appear on the monitor screen and game play begins for the other player.
- After the last players last performer is eliminated, and if either or both scores were high enough, it goes into the High Score/Initial mode.

If neither players score was high enough to cause the game to go into the High Score/Initial mode, the game will either go to the Attract mode (if there are no more credits left in its memory) or into the Ready-To-Play mode (if there are still credits left in its memory).

RACK ADVANCE

Your **new** game is equipped with a RACK ADVANCE feature that can allow you to view and/or play the higher racks for test purposes. It is activated in the following manner:

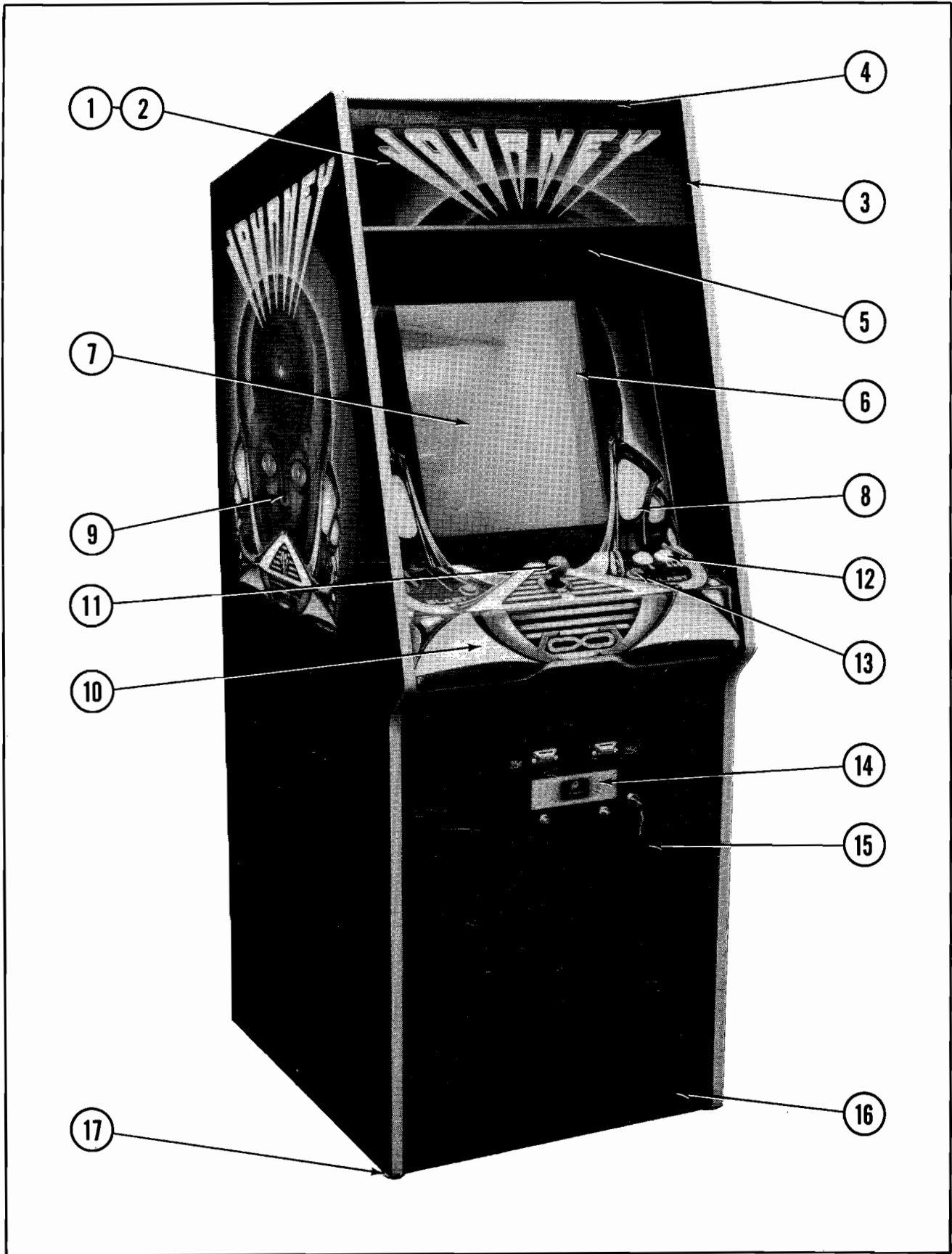
1. Turn the power to the game on.
2. Open the coin door.

NOTE: COCKTAIL TABLE MODELS ONLY - gently pull out the plunger on the Safety Interlock Switch located just inside the coin door.

3. Using the Test Credit Button, put a credit on the game.
4. Press the "1 PLAYER" start button.
5. **Immediately** set the games Self-Test switch to the "ON" position.
6. By pressing **both** the "1 PLAYER" and "2 PLAYER" start buttons at the **same** time (ONLY WHEN THE TRANSPORT SHIP IS IN THE CENTER OF THE 5 PLANETS), the game will advance to the next rack.
7. When finished, set the Self-Test switch back to the "OFF" position, and close and lock the coin door.

II. Illustrated Parts Breakdown

NO. 358—JOURNEY UPRIGHT—FRONT

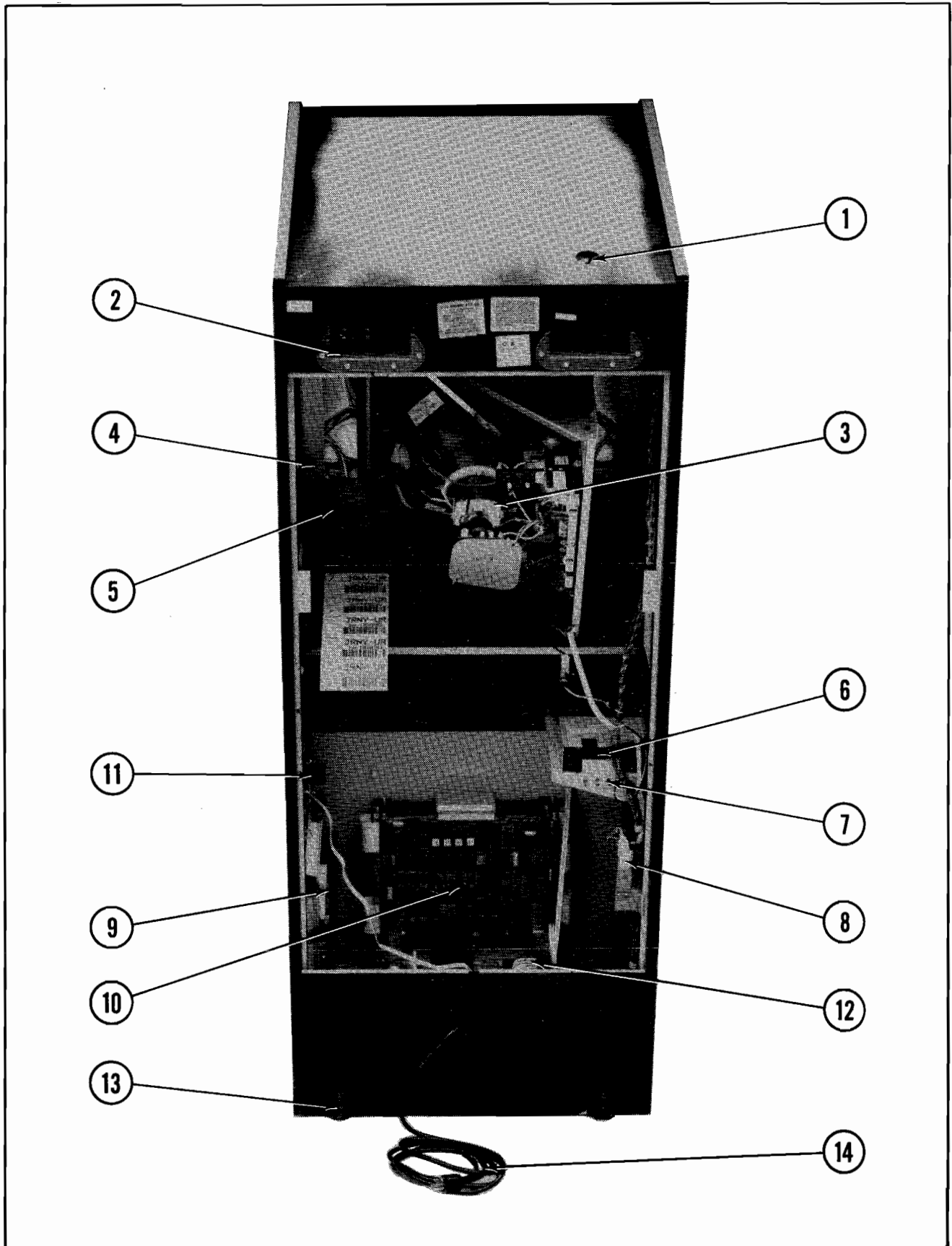


NO. 358—JOURNEY UPRIGHT—FRONT—PARTS LIST

ORDER BY PART NUMBER ONLY

ITEM	PART NO.	DESCRIPTION
1	0358-00900-00XF	DECORATIVE HEADER - 23"x8½"x3/16"
2	A595-00011-0000	HEADER FLUOR. LIGHT ASSY.
3	0537-00903-0064	GLASS CHANNEL - 6⅞" (2 REQ'D.)
4	0574-00903-0100	HEADER RETAINING BRKT. (2 REQ'D.)
	0017-00101-0138	#8x⅝ TORX TAMPER RESISTANT SCREW (10 REQ'D.)
	0017-00009-0522	LONG ARM KEY T—20 (FOR ABOVE SCREW)
5	0017-00009-0393	BLACK SPEAKER GRILL W/SLOTS (2 REQ'D.)
	0017-00003-0430	6"x9" SPEAKER—4OHM, 9W. (2 REQ'D.)
	0017-00101-0127	#8-32x1½ CARRIAGE BOLT (8 REQ'D.)
	0017-00103-0061	#8-32 HEX NUT W/SEMS (8 REQ'D.)
6	0557-00900-0000	T.V. BEZEL
7	0333-00902-0000	DIFFUSER PLEXI
	0508-00901-0000	PLEXI—GLASS MTG. CLIPS (4 REQ'D.)
	0017-00101-0017	#6x½ BLACK SLT. HEX HD. SCREW (4 REQ'D.)
8	0358-00901-00XF	MAIN VIEWING GLASS—23"x20⅞"x3/16"
9	0358-00903-0200	DECAL—LEFT SIDE
	0358-00903-0100	DECAL—RIGHT SIDE (NOT SEEN)
10	A358-00013-0000	OVERLAY—CONTROL SHELF PLATE ASSY.
	A358-00014-0000	CONTROL SHELF PLATE WELDMENT ASSY.
	0358-00902-0000	DECORATIVE CONTROL SHELF ASSY.
	0358-00101-0100	CONTROL SHELF MTG. BRKT.—RIGHT
	0358-00101-0200	CONTROL SHELF MTG. BRKT.—LEFT
	0555-00901-0000	PLASTIC LOCATING PIN (4 REQ'D.)
	0017-00009-0534	BASSICK CLAMP (3 REQ'D.)
	0017-00101-0141	#8x11/16 UNSLOT HEX HD. SCREW (10 REQ'D.)
	0639-00924-0000	CONTROL SHELF STRAP
11	A982-00017-0000	CONTROL ASSEMBLY
	A303-00010-0000	CONTROL SHELF CABLE ASSY.
12	0017-00042-0260	PUSH BUTTON ASSY.—WHITE (2 REQ'D.)
13	0017-00042-0256	PUSH BUTTON ASSY.—RED (2 REQ'D.)
	0017-00032-0093	PUSH BUTTON SWITCH W/HOLDER (4 REQ'D.)
	0017-00103-0054	⅝-11 PAL NUT (4 REQ'D.)
14	A090-00300-11BK	U.S.A. 25¢ DOUBLE COIN DOOR ASSY.
	A982-00015-0000	COIN DOOR CABLE ASSY.
15	0090-00002-04BK	LARGE COIN DOOR FRAME
	0017-00101-0121	#6-32x5/16 PHIL. TRS. HD. SCR. (3 REQ'D.) (MOUNTS COIN DOOR TO FRAME)
16	0935-00906-0100	KICK PLATE—23" LG.
17	0017-00102-0048	⅝-16x2" LEG LEVELERS (4 REQ'D.)
	0017-00103-0026	⅝-16 LEG LEVELER HEX NUTS (4 REQ'D.)

NO. 358—JOURNEY UPRIGHT—REAR ACCESS



NO. 358—JOURNEY UPRIGHT—REAR ACCESS—PARTS LIST

ORDER BY PART NUMBER ONLY

ITEM	PART NO.	DESCRIPTION
1	A945-00038-0000	ON—OFF SWITCH & PLATE ASSY.
2	0894-00916-0000	PLASTIC PULL & VENT (2 REQ'D.)
3	0017-00101-0141	#8x11/16 UNSLOT HEX HD. M.S. (8 REQ'D.)
	0017-00003-0339	ELECTROHOME—19" COLOR DUAL SYNC. HORIZ. MTG. MONITOR (OR)
3	0017-00003-0439	WELLS—GARDNER—19" COLOR DUAL SYNC. HORIZ. MTG. MONITOR (OR)
3	0017-00003-0454	ZENITH—19" COLOR DUAL SYNC. HORIZ. MTG. MONITOR
4	0349-00101-0000	MONITOR SUPPORT RAIL (2 REQ'D.)
5	0555-00901-0000	PLASTIC LOCATING PIN (4 REQ'D.)
	0017-00101-0141	#8x11/16 UNSLOT HEX HD. M.S. (8 REQ'D.)
	0349-00100-0000	MONITOR MTG. ANGLE BRKT. (2 REQ'D.)
	0017-00101-0082	#10x $\frac{3}{4}$ UNSLOT HEX HD. BOLT (4 REQ'D.)
	0017-00104-0011	#10 EXT. WASHER (4 REQ'D.)
6	0017-00101-0144	#10-24x $\frac{5}{8}$ SLT. HEX W/WASHER SCR. (4 REQ'D.)
	0017-00009-0543	CASSETTE TAPE RECORDER
	0017-00003-0482	POWER PLUG
7	0358-00904-0000	RECORDED AUDIO CASSETTE
	A358-00015-0000	WELDED SUPPORT BRKT. ASSY.
	0358-00103-0000	RECORDER CLAMPING BRKT.—REAR
8	0358-00104-0000	RECORDER CLAMPING BRKT.—FRONT
	0017-00101-0141	#8x11/16 UNSLOT HEX HD. M.S. (16 REQ'D.)
	A088-00016-0000	INTERLOCK SWITCH & SPRING BRKT. ASSY.
9	0303-00904-0000	INTERLOCK SWITCH COVER
	A082-90412-D000	POWER SUPPLY P.C. BOARD ASSY.
10	0624-00902-0100	P.C. SUPPORT BRKT.-12" LG. (2 REQ'D.)
	0624-00902-0500	P.C. SUPPORT BRKT.—6 $\frac{1}{2}$ " LG. (2 REQ'D.)
	0317-00102-0000	P.C. MTG. BRACE BRKT. (4 REQ'D.)
	0017-00101-0141	#8x11/16 UNSLOT HEX HD. M.S. (10 REQ'D.)
	0017-00104-0037	#8 FLAT WASHER (10 REQ'D.)
	A358-00018-0000	CARD RACK ASSY. W/BOARDS
	A084-90913-A358	SOUND P.C. BRD. ASSY.
	A639-00060-0000	SHIELD & BARRIER ASSY.
	0017-00101-0134	#6-32x $\frac{1}{4}$ PHIL. RND. HD. M.S. (4 REQ'D.)
	A084-91475-A358	SUPER C.P.U. P.C. BRD. ASSY.
11	A358-00016-0000	SHIELD & SPACER ASSY.—INNER
	A084-91464-A358	SUPER VIDEO P.C. BRD. ASSY.
	A358-00017-0000	SHIELD & SPACER ASSY.—OUTER
	0017-00101-0153	#6-32x1" PHIL. PAN HD. M.S. (8 REQ'D.)
12	A084-91496-B000	DUAL POWER AMP. P.C. BOARD ASSY.
13	A945-00020-0000	POWER CHASSIS ASSY.-125VA, 115V.
14	A961-00007-0000	CASTER ASSEMBLY (2 REQ'D.)
	A945-00019-0000	LINE CORD ASSY.

NO. 358—JOURNEY UPRIGHT—REAR ACCESS—PARTS LIST (Continued)

ORDER BY PART NUMBER ONLY

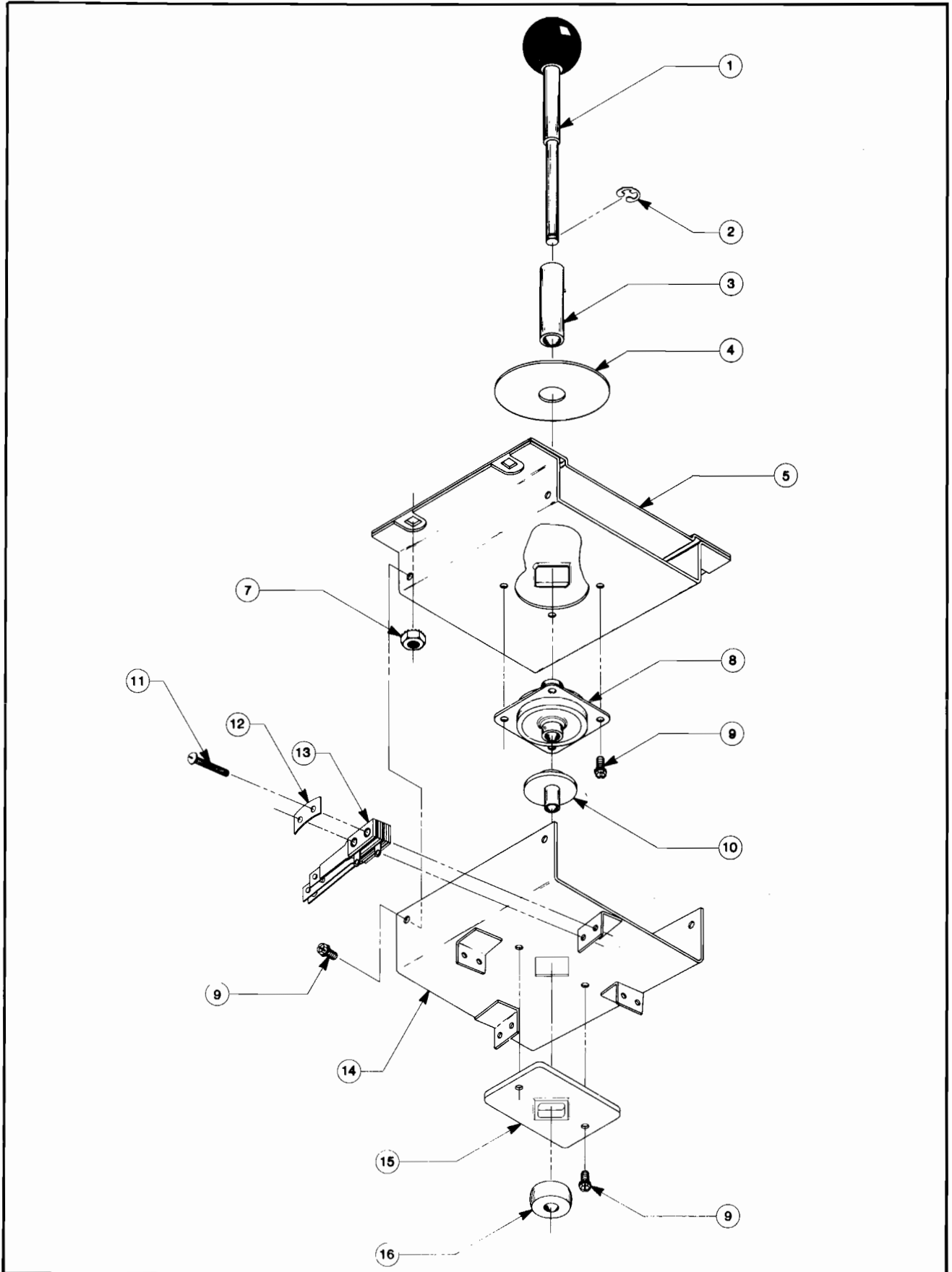
ITEM	PART NO.	DESCRIPTION
		ADDITIONAL PARTS LIST
	A950-00004-0000	COIN BOX ASSY.
	A950-00006-0000	WIRE COIN BOX CRADLE ASSY.
	0950-00105-0000	COIN BOX COVER
	0950-00104-0000	COIN BOX HANDLE
	0950-00101-00XF	COIN DEFLECTOR
	0950-00900-0000	LARGE PLASTIC COIN BOX
	0950-00103-0000	COIN BOX DIVIDER—OPTIONAL
	0017-00101-0142	1/4-20x1 1/8 BLACK RND. HD. BOLT (4 REQ'D.)
	0017-00104-0014	7/8" DISH WASHER (4 REQ'D.)
	0017-00103-0018	1/4-20 HEX NUT (4 REQ'D.)
	A097-00009-0000	BACK DOOR LOCK ASSY.
	0017-00009-0490	5 5/8" SQR. BACK DOOR VENT GRILL (4 REQ'D.)
	A358-00008-0000	MASTER CABLE ASSY. W/BRKT.
	A358-00010-0000	HIGH VOLTAGE CABLE ASSY.
	A941-00008-0000	LOW VOLTAGE CABLE ASSY.
	A337-00018-0000	VIDEO CABLE ASSY.
	A337-00019-0000	AUDIO CABLE ASSY.

JOURNEY—CONTROL ASSEMBLY—ALL VERSIONS —PARTS LIST

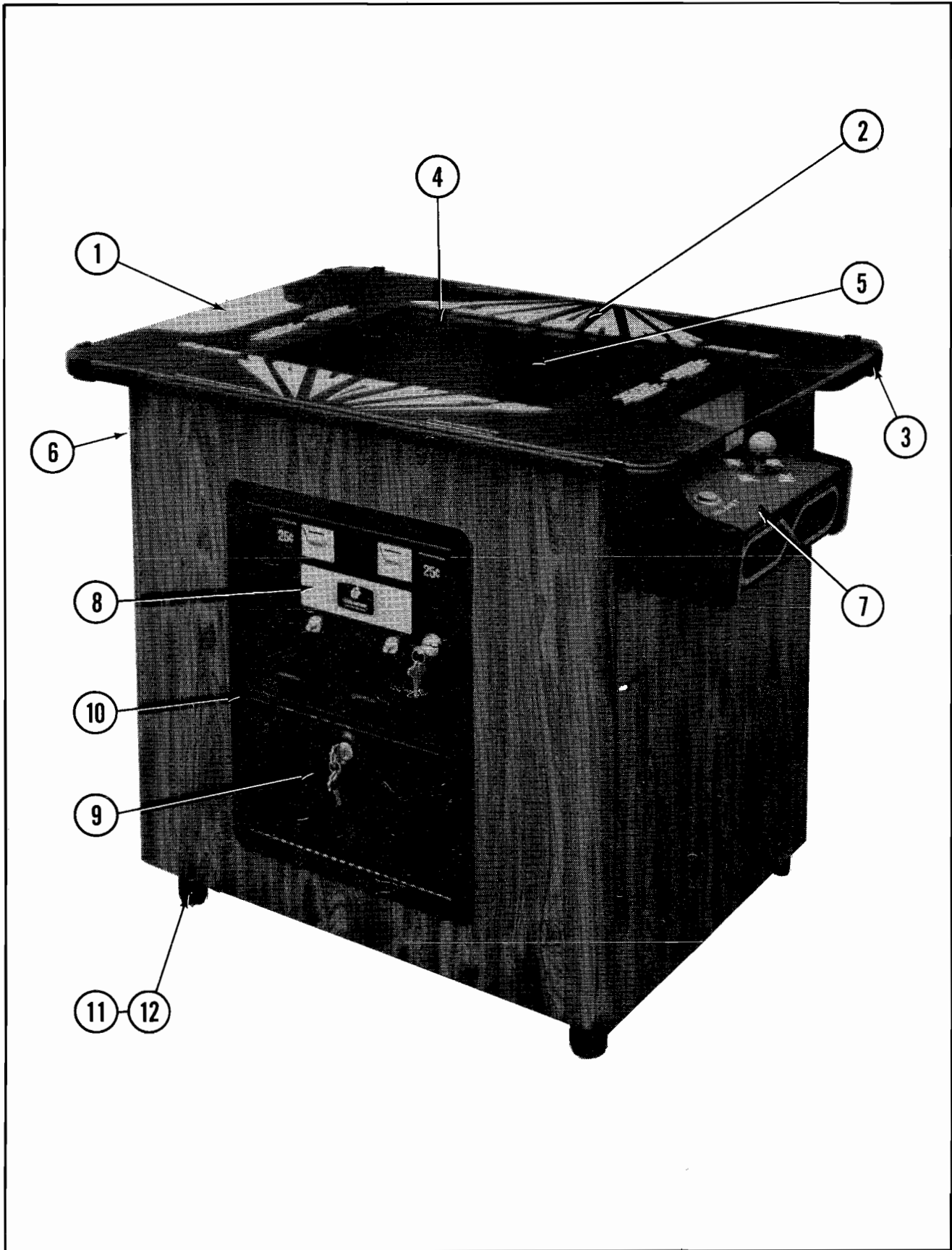
ORDER BY PART NUMBER ONLY

ITEM	PART NO.	DESCRIPTION
1	A932-00022-0000	BALL & SHAFT ASSEMBLY
2	0017-00100-0025	1/4 E-RING
3	0921-00702-0000	STOP SPACER
4	0921-00902-0000	SLIDE PLATE
5	A982-00019-0000	PIVOT PLATE WELD ASSY.
7	0017-00103-0061	#8-32 HEX NUT W/SEMS (4 REQ'D.)
8	0932-00902-0000	GROMMET
9	0017-00101-0598	#8-32x5/16 SLT. HEX HD. M.S. (10 REQ'D.)
10	0962-00904-0000	SLEEVE
11	0017-00101-0527	#5-40x5/8 SLT. RND. HD. SCR. (8 REQ'D.)
12	0020-00202-0000	SWITCH PLATE (4 REQ'D.)
13	A932-00009-0000	SWITCH ASSEMBLY (4 REQ'D.)
14	A316-00019-0000	STOP PLATE & SWITCH BRKT. ASSY.
15	0932-00905-0000	WEAR PLATE
16	0921-00700-0000	ACTUATOR

JOURNEY — CONTROL ASSEMBLY — ALL VERSIONS



NO. 362—JOURNEY COCKTAIL—FRONT

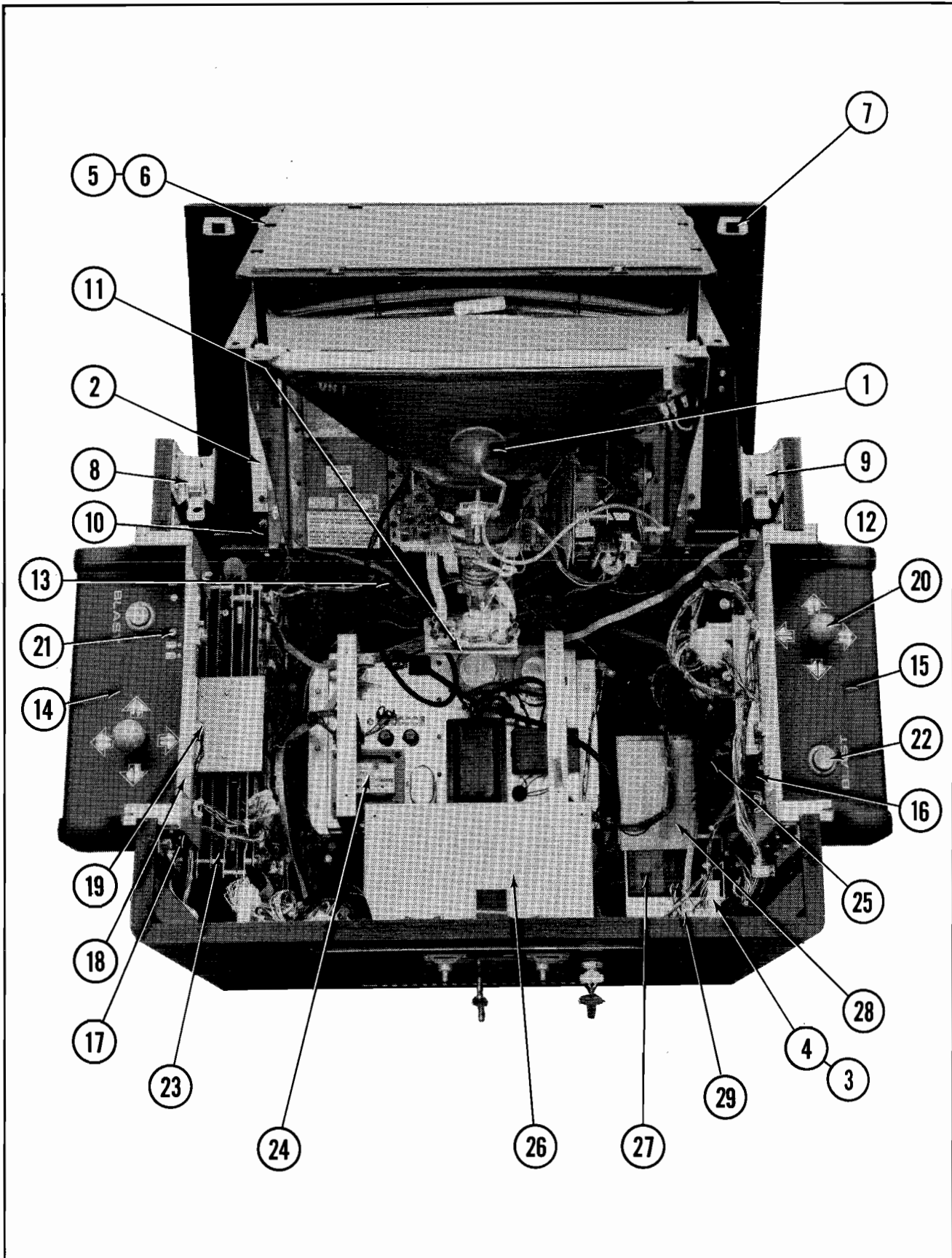


NO. 362—JOURNEY COCKTAIL—FRONT—PARTS LIST

ORDER BY PART NUMBER ONLY

ITEM	PART NO.	DESCRIPTION
1	0311-00901-0000	COVER GLASS
2	0362-00903-0000	DECORATIVE ARTWORK UNDERLAY
3	0311-00101-00XF	CORNER GLASS CLIP (4 REQ'D.)
	0017-00101-0126	#10-32x $\frac{3}{4}$ HEX BUTTON HD. SCREW (4 REQ'D.)
4	0017-00042-0314	19" BEZEL - INJECTION MOLDED
	0311-00100-0000	BEZEL MTG. BRKT. (2 REQ'D.)
5	0333-00902-0000	DIFFUSER
	0508-00901-0000	PLEXI-GLASS MTG. CLIP (4 REQ'D.)
	0017-00101-0124	#6x $\frac{1}{4}$ UNSLOT. HEX HD. M.S. (4 REQ'D.)
6	A362-00004-0100	CONTROL SHELF ASSY. - PLYR. #1 (NOT SEEN)
7	A362-00004-0200	CONTROL SHELF ASSY. - PLYR. #2
8	A090-00300-11BK	U.S.A. 25¢ DOUBLE COIN DOOR ASSY.
	A982-00015-0000	COIN DOOR CABLE ASSY.
9	A090-00605-0000	COIN BOX DOOR & LOCK ASSY.
10	A090-00603-00XF	COIN DOOR FRAME ASSY.
	0017-00101-0121	#6-32x5/16 PHIL. TRS. HD. SCR. (4 REQ'D.) (MOUNTS COIN DOOR TO FRAME)
11	0311-00900-0000	LEG (4 REQ'D.)
	0017-00101-0769	#10x $\frac{3}{4}$ SLT. HEX HD. WOOD SCREW (20 REQ'D.)
12	0017-00102-0048	$\frac{3}{8}$ -16x2" LEG LEVELERS (4 REQ'D.)
	0017-00103-0026	$\frac{3}{8}$ -16 LEG LEVELER HEX NUTS (4 REQ'D.)

NO. 362—JOURNEY COCKTAIL—INTERIOR ACCESS



NO. 362—JOURNEY COCKTAIL—INTERIOR ACCESS—PARTS LIST

ORDER BY PART NUMBER **ONLY**

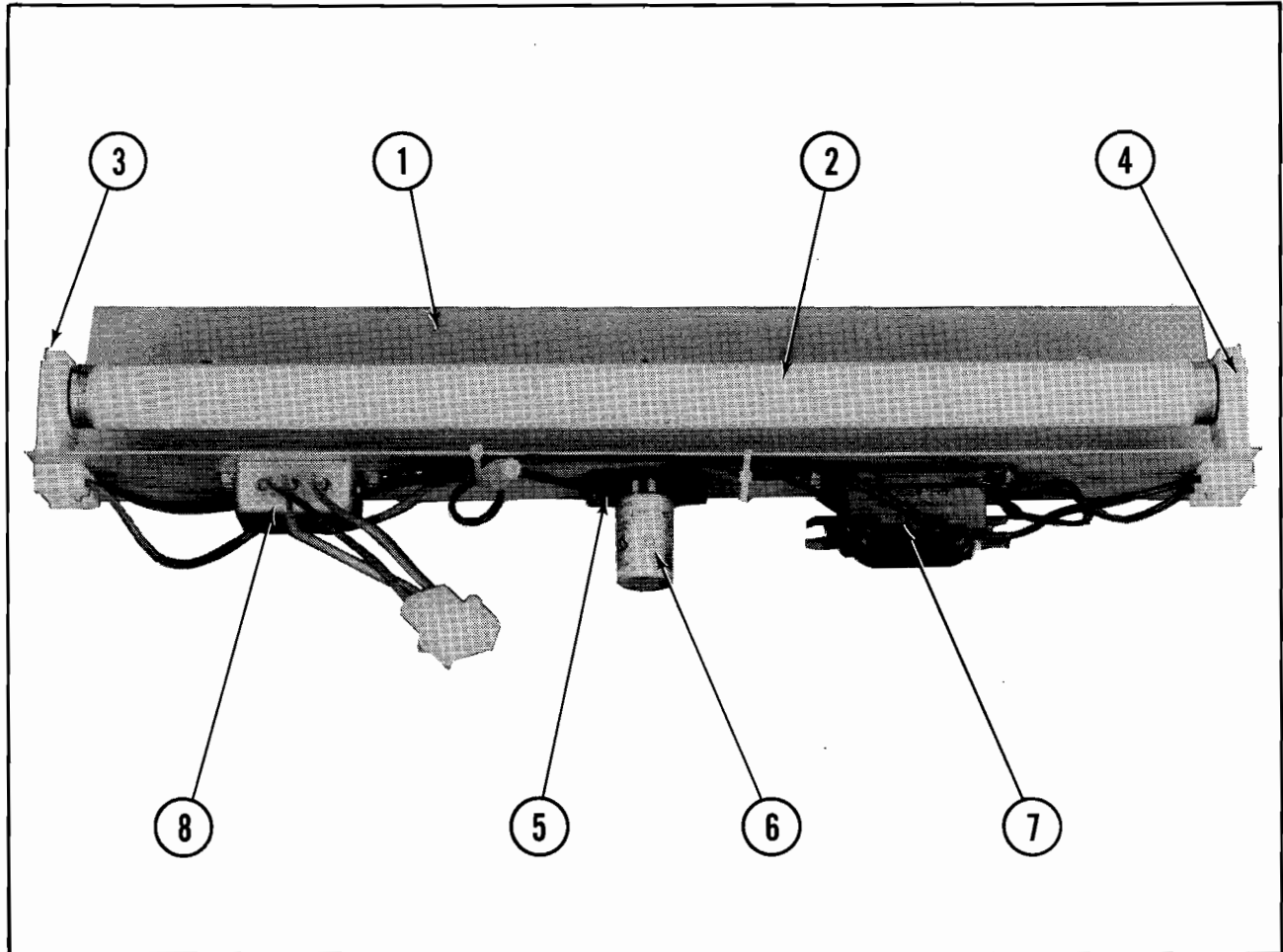
ITEM	PART NO.	DESCRIPTION
1	0017-00003-0339	ELECTROHOME—19" COLOR DUAL SYNC. HORIZONTAL MTG. MONITOR (OR)
1	0017-00003-0439	WELLS—GARDNER—19" COLOR DUAL SYNC. HORIZONTAL MTG. MONITOR (OR)
1	0017-00003-0454	ZENITH—19" COLOR DUAL SYNC. HORIZ. MTG. MONITOR
2	0311-00109-0000	HORIZONTAL MONITOR MTG. BRKT. (2 REQ'D.)
3	0610-00132-00ZN	STRIKE (2 REQ'D.) (NOT SEEN)
4	0017-00009-0534	BASSICK CLAMP (2 REQ'D.)
	0017-00101-0141	#8x11/16 UNSLOT HEX HD. M.S. (8 REQ'D.)
5	0311-00103-00XF	CATCH (2 REQ'D.)
	0017-00101-0141	#8x11/16 UNSLOT HEX HD. M.S. (6 REQ'D.)
6	0311-00104-00XF	CATCHER PLATE (2 REQ'D.)
7	0311-00106-0000	STRIKE—BACK PANEL (2 REQ'D.)
8	A311-00009-0100	CLAMP & BRKT. ASSY.—R.H.
9	A311-00009-0200	CLAMP & BRKT. ASSY.—L.H.
	0017-00101-0141	#8x11/16 UNSLOT HEX HD. M.S. (8 REQ'D.)
10	0311-00102-0000	SELF MORTISE HINGE (2 REQ'D.)
	0017-00101-0156	#10-32x1¼ BLACK RND. HD. CARRIAGE BOLT (8 REQ'D.)
	0017-00103-0081	#10-32 HEX NUT W/SEMS (8 REQ'D.)
11	0311-00902-0000	MONITOR SHIELD (NOT SEEN)
12	A311-00007-0000	LATCH SLIDE ASSY.
	0889-00112-0000	SLIDE CATCH
	0017-00101-0141	#8x11/16 UNSLOT HEX HD. M.S. (2 REQ'D.)
13	0017-00003-0430	6"x9" SPEAKER—4 OHM, 10W. (2 REQ'D.)
	0017-00009-0393	BLACK SPEAKER GRILL W/SLOTS (2 REQ'D.)
	0017-00101-0127	#8-32x1½ BLACK RND. HD. CARRIAGE BOLT (8 REQ'D.)
	0017-00103-0061	#8-32 HEX NUT W/SEMS (4 REQ'D.)
14	A362-00011-0100	DECORATIVE OVERLAY & PANEL ASSY.—PLYR. #1
	A362-00010-0000	CONTROL PANEL WELDMENT ASSY.
	0362-00900-0100	OVERLAY—PLAYER #1
15	A362-00011-0200	DECORATIVE OVERLAY & PANEL ASSY.—PLYR. #2
	A362-00010-0000	CONTROL PANEL WELDMENT ASSY.
	0362-00900-0200	OVERLAY—PLYR. #2
16	A362-00012-0000	BOTTOM PLATE & HINGE ASSY. (2 REQ'D.)
	0017-00101-0341	#6x¼ PHIL. TRS. HD. SCR. (6 REQ'D.)
	0017-00101-0141	#8x11/16 UNSLOT HEX HD. M.S. (18 REQ'D.)
17	0362-00100-0000	LOCATING BRKT. (4 REQ'D.)
	0017-00101-0141	#8x11/16 UNSLOT HEX HD. M.S. (20 REQ'D.)
18	0362-00901-0000	LIGHT SHIELD (2 REQ'D.)
	0017-00101-0740	#8-32x¾ WING SCREW (4 REQ'D.)
19	0017-00031-0044	WEDGE BASE LAMP SOCKET (4 REQ'D.)
	0017-00003-0219	#194 WEDGE BASE LAMP—14V., 27A. (4 REQ'D.)
	0017-00101-0555	#6-32x5/16 SLT. HEX HD. M.S. (4 REQ'D.)
20	A982-00017-0000	CONTROL ASSY. (2 REQ'D.)
	A317-00010-0100	CONTROL SHELF CABLE ASSY.—PLYR. # 1
	A317-00010-0200	CONTROL SHELF CABLE ASSY.—PLYR. #2
21	0017-00032-0106	PUSH BUTTON SWITCH (2 REQ'D.)
22	0017-00042-0256	PUSH BUTTON ASSY.—RED (2 REQ'D.)
	0017-00032-0093	PUSH BUTTON SWITCH W/HOLDER (2 REQ'D.)
	0017-00103-0054	5/8-11 PAL NUT (2 REQ'D.)

NO. 362—JOURNEY COCKTAIL—INTERIOR ACCESS—PARTS LIST (Continued)

ORDER BY PART NUMBER ONLY

23	A358-00018-0000 A084-90913-A358 A639-00060-0000 0017-00101-0134 A084-91475-A358 A358-00016-0000 A084-91464-A358 A358-00017-0000 0017-00101-0153	CARD RACK ASSY. W/BOARDS SOUND P.C. BRD. ASSY. SHIELD & BARRIER ASSY. #6-32x¼ PHIL. RND. HD. M.S. (4 REQ'D.) SUPER C.P.U. P.C. BRD. ASSY. SHIELD & SPACER ASSY.—INNER SUPER VIDEO P.C. BRD. ASSY. SHIELD & SPACER ASSY.—OUTER #6-32x1" PHIL. PAN HD. M.S. (8 REQ'D.)
24	A945-00020-0000 A945-00033-0000	POWER CHASSIS ASSY.—125VA., 115V. MAGNETIC SHIELD & LABEL ASSY.
25	A084-90412-D000 0624-00902-0200 0624-00902-0500 0017-00101-0141 0017-00104-0037	POWER SUPPLY P.C. BOARD ASSY. P.C. SUPPORT BRKT.—10" LG. (2 REQ'D.) P.C. SUPPORT BRKT.—6½" LG. (2 REQ'D.) #8x11/16 UNSLOT HEX HD. M.S. (12 REQ'D.) #8 FLAT WASHER (12 REQ'D.)
26	A090-00606-0000 0090-00189-0000 A945-00038-0000 A775-00013-0000	CASH BOX & PULL ASSY. CASH BOX ENCLOSURE ON—OFF SWITCH & PLATE ASSY. (LOCATED UNDER ITEM #26) FAN ASSY. (LOCATED UNDER ITEM #26)
27	0017-00009-0534 0358-00904-0000	CASSETTE TAPE RECORDER RECORDED AUDIO CASSETTE
28	A362-00013-0000 0017-00101-0141	CLAMPING BRKT. WELDMENT ASSY. #8x11/16 UNSLOT HEX HD. M.S. (4 REQ'D.)
29	A084-91496-B358	DUAL POWER AMP P.C.B.
		ADDITIONAL PARTS LIST
	A362-00007-0000 A362-00009-0000 A362-00014-0000 A580-00011-0000 A945-00019-0000 A088-00018-0000	MASTER CABLE 2/BRKT. ASSY. HIGH VOLTAGE CABLE ASSY. LOW VOLTAGE CABLE ASSY. VIDEO SIGNAL CABLE ASSY. LINE CORD ASSY. INTERLOCK SWITCH & BRKT. ASSY.

JOURNEY - HEADER FLOURESCENT FIXTUTRE ASSY.

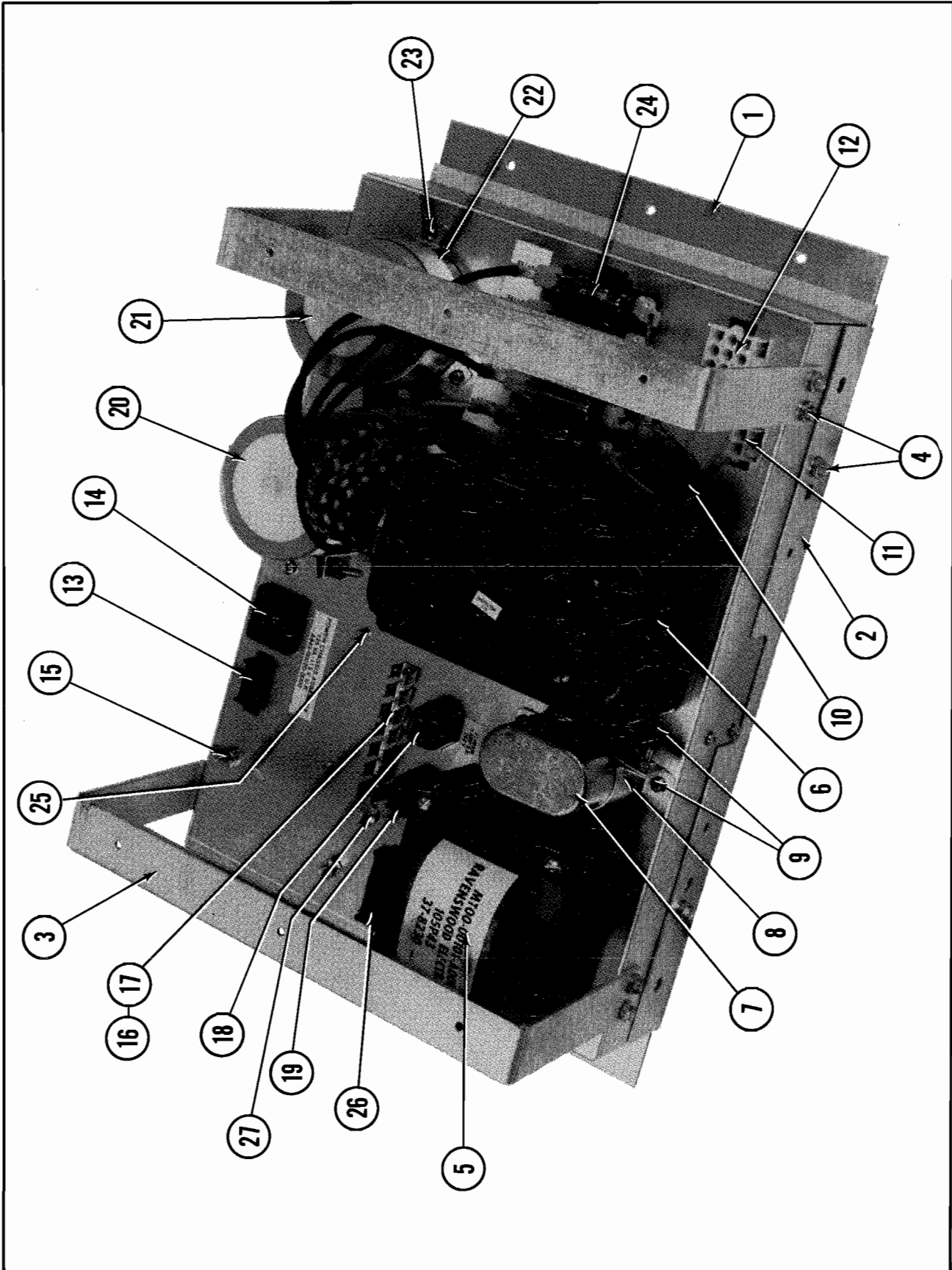


JOURNEY - HEADER FLOURESCENT FIXTUTRE ASSY. - PARTS LIST

ORDER BY PART NUMBER ONLY

ITEM	PART NO.	DESCRIPTION
1	0595-00105-0000	FLUORESCENT BRKT.
2	0017-00003-0043	18" COOL WHITE FLUORESCENT LAMP
3	0017-00003-0445	LAMP LOCKS (2 REQ'D.)
4	0017-00031-0036	FLUORESCENT SOCKET (2 REQ'D.)
5	0017-00003-0412	FLUORESCENT STARTER HOLDER W/LEADS
	0017-00101-0573	#6-32 x 1/2 PHIL. RND. HD. M.S. (4 REQ'D.)
	0017-00104-0009	#6 EXT. WASHER (4 REQ'D.)
6	0017-00003-0019	FLUORESCENT STARTER
7	0017-00003-0026	BALLAST
	0017-00101-0598	#8-32 x 5/16 SLT. HEX HD. SCR. (4 REQ'D.)
8	A961-00042-0000	LINE FILTER ASSY.

JOURNEY — POWER CHASSIS ASSY. — 125VA., 115V.

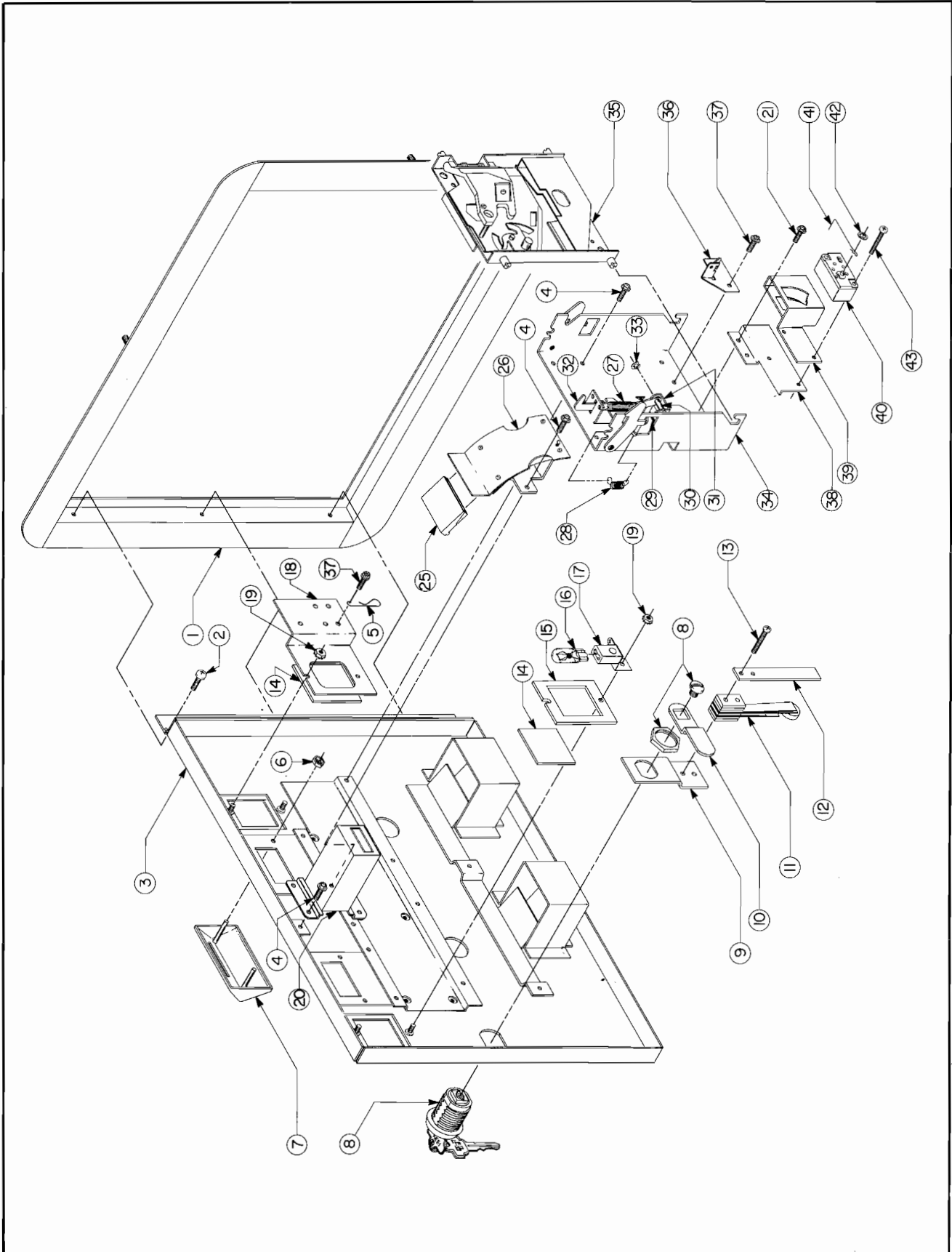


JOURNEY—POWER CHASSIS ASSY.—125VA., 115V.—PARTS LIST

ORDER BY PART NUMBER ONLY

ITEM	PART NO.	DESCRIPTION
1	A945-00046-00XF	CHASSIS & PARTITION ASSY.
2	A945-00029-0100	MTG. PLATE & BARRIER ASSY.
3	0945-00107-01XF	STRAP (2 REQ'D.)
4	0017-00101-0123	#8 x 1/4 UNSLOT. HEX HD. SCR. (12 REQ'D.)
5	MT00-00101-A000	ISOLATION TRANSFORMER W/O SHIELD ASSY. — 115V., 50/60 HZ.
	0017-00103-0061	#8-32 HEX NUT W/SEMS (4 REQ'D.)
6	MT00-00099-A000	POWER TRANSFORMER ASSY. — 115V., 60 HZ.
	0017-00103-0084	#6-32 HEX NUT W/SEMS (4 REQ'D.)
7	0175-181T4-GXJK	CAPACITOR — 3.5 M.F., 440V.
8	0017-00009-0535	CLAMP
	0017-00101-0565	#6-32 x 7/16 SLT. PAN HD. SCR.
	0017-00103-0084	#6-32 HEX NUT W/SEMS
9	0017-00101-0067	#6 x 3/8 PHIL. PAN HD. SCR. (11 REQ'D.)
10	0945-00902-0000	SNAP BUSHING (3 REQ'D.)
11	0017-00021-0297	2 POSITION CONNECTOR
12	A945-00030-0100	CONNECTOR & CABLE ASSY. #1
13	A945-00030-0200	CONNECTOR & CABLE ASSY. #2
14	A945-00021-0000	CONVENIENCE OUTLET ASSY.
15	0017-00101-0573	#6-32 x 1/2 PHIL. RND. HD. SCR. (2 REQ'D.)
	0017-00103-0084	#6-32 HEX NUT W/SEMS (2 REQ'D.)
	A945-00025-0000	FILTER ASSEMBLY — 125V. — UNDER CHASSIS (NOT SEEN)
16	0017-00021-0510	TERMINAL STRIP
17	0017-00101-0140	#4-40 x 5/16 PHIL. PAN HD. SCR. (2 REQ'D.)
18	0017-00083-0263	SLO-BLO FUSE — 4A., 250V.
19	0017-00003-0005	FUSE — 2A., 250V.
	0017-00003-0444	QUICK CONN. FUSEHOLDER (2 REQ'D.) — FOR ABOVE FUSES
20	0945-00816-1902	CAPACITOR — 100,000 M.F.
21	0945-00816-1901	CAPACITOR — 55,000 M.F.
	0017-00104-0107	#10 FLAT WASHER (4 REQ'D.)
	0017-00103-0081	#10-32 HEX NUT W/SEMS (4 REQ'D.)
22	0017-00009-0422	CLAMP (2 REQ'D.)
	0017-00101-0758	#8-32 x 3/4 PHIL. RND. HD. SCREW (2 REQ'D.)
	0017-00103-0061	#8-32 HEX NUT W/SEMS (2 REQ'D.)
23	0017-00101-0067	#6 x 3/8 PHIL. PAN HD. SCR. (6 REQ'D.)
24	0945-00904-0000	5 POSITION FUSE HOLDER
	0017-00003-0263	SLO-BLO FUSE — 4A., 250V.
	0017-00003-0217	SLO-BLO FUSE — 2.5A., 250V. (2 REQ'D.)
	0017-00003-0007	SLO-BLO FUSE — 3A., 250V. (2 REQ'D.)
	0945-00903-0000	FUSE HOLDER BARRIER
	A945-00022-0000	HEATSINK & DIODE ASSY.
	0017-00101-0067	#6 x 3/8 PHIL. PAN HD. SCR. (2 REQ'D.)
25	0017-00101-0780	#6 x 1/2 PHIL. PAN HD. SCREW (2 REQ'D.)
	0017-00021-0629	5 POSITION TERMINAL STRIP — (UNDER CHASSIS)
	A945-00019-0000	LINE CORD ASSY. — 115V. (NOT SHOWN)
26	A945-00030-0500	CONNECTOR & CABLE ASSY.
27	0017-00101-0660	#10-32 x 3/4 PAN HD. SCREW
	0017-00104-0107	#10 FLAT WASHER
	0017-00103-0081	#10-32 HEX NUT W/SEMS

FRONT DOOR ASSEMBLY - U.S.A. 25¢

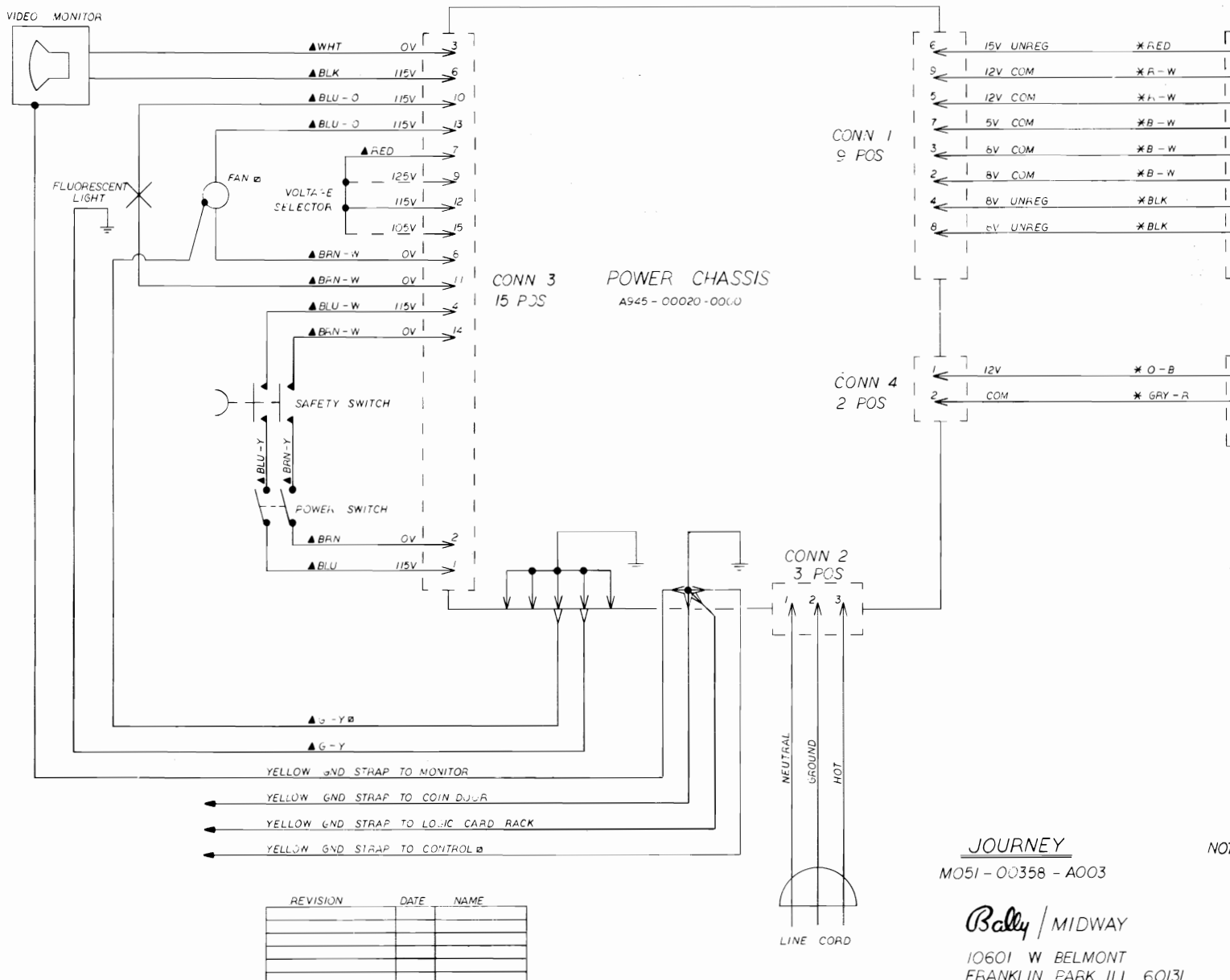


FRONT DOOR ASSEMBLY — U.S.A. 25¢ — PARTS LIST

ORDER BY PART NUMBER ONLY

ITEM	PART NO.	DESCRIPTION
1	0090-00002-04BK	DOUBLE ENTRY COIN DOOR FRAME
2	0017-00101-0121	#6-32 x 5/16 PHIL. TRS. HD. SCR. (3 REQ'D.)
3	A090-00073-02BK	DOUBLE ENTRY COIN DOOR W/DRESS PLATE
4	0017-00101-0123	#8 x 1/4 UNSLOT. HEX HD. SCREW (12 REQ'D.)
5	0017-00007-0019	KEY HOOK
6	0017-00103-0059	PUSH NUT (4 REQ'D.)
7	0090-00912-0000	COIN ENTRY PLATE — 25¢ (2 REQ'D.)
8	A097-00005-0000	DOOR LOCK & KEY W/SCREW & NUT (OR)
8	A097-00006-0000	DOOR LOCK & KEY W/SCREW & NUT
9	0090-00128-00XF	DOOR TILT SWITCH BRKT.
10	0017-00005-0041	DOOR CAM
11	A090-00095-0000	DOOR TILT SWITCH
12	0090-00126-03XF	SWITCH BACK-UP PLATE
13	0017-00101-0525	#5-40 x 9/16" PHIL. HD. M.S. (2 REQ'D.)
	A090-00096-0000	DOOR TILT SWITCH & BRKT. ASSY. (ITEMS 9 & 11 THRU 13)
14	0090-00903-9500	25¢ WINDOW (2 REQ'D.)
15	0090-00143-00XF	COIN PLEX RETAINER
16	0017-00003-0219	12 VOLT LAMP — G.E. #194 (2 REQ'D.)
17	0017-00031-0048	WEDGE SOCKET W/BRKT. (2 REQ'D.)
18	A090-00100-0000	BRKT. ASSY.
19	0017-00103-0084	#6-32 HEX NUT W/SEMS (4 REQ'D.)
20	A090-00089-0000	COIN METER W/DIODE
21	0017-00101-0124	#6 x 1/4 UNSLOT. HEX HD. SCR. (4 REQ'D.)
25	0090-00911-0000	INSULATOR (2 REQ'D.)
26	A090-00112-0000	COIN CHUTE & INSULATOR ASSY. (2 REQ'D.)
27	0010-00134-0000	SPRING
28	0010-00181-0000	SPRING
29	0017-00007-0083	1/8 x 1-5/8 ROLL PIN
30	0090-00129-00XF	PIVOT POST
31	0090-00167-00XF	PIVOT LEVER
32	0090-00182-00XF	REJECT LEVER
33	0017-00100-0018	E-RING
	A090-00088-0000	REJECT LEVER ASSY. (2 REQ'D.) (ITEMS 30 THRU 33)
34	A090-00105-0000	COIN ACCEPTOR FRAME ASSY. (2 REQ'D.)
35	0017-00005-0003	COIN ACCEPTOR W/STRING CUTTER (2 REQ'D.) (OR)
35	0017-00005-0211	COIN ACCEPTOR W/ANTI STRING DEVICE (2 REQ'D.) (OR)
35	0017-00005-0214	COIN ACCEPTOR W/STRING CUTTER (2 REQ'D.)
36	A090-00064-0000	ANTI-PENNY DEVICE
37	0017-00101-0099	#6 x 1/4 SLT. HEX HD. M.S. (2 REQ'D.)
38	0090-00162-00XF	COIN SWITCH MTG. BRKT.
39	0017-00005-0203	COIN SWITCH CHUTE
40	0017-00005-0195	COIN SWITCH
41	0010-00599-0000	COIN SWITCH WIRE
42	0017-00007-0015	PUSH-ON RING
	A090-00059-0400	COIN SWITCH & WIRE ASSY. (ITEMS 40 THRU 42)
43	0017-00101-0147	#4-40 x 3/4 PHIL. PAN. HD. M.S. (2 REQ'D.)
	A090-00077-0000	COIN GUIDE & SWITCH ASSY. (ITEMS 38 THRU 43)

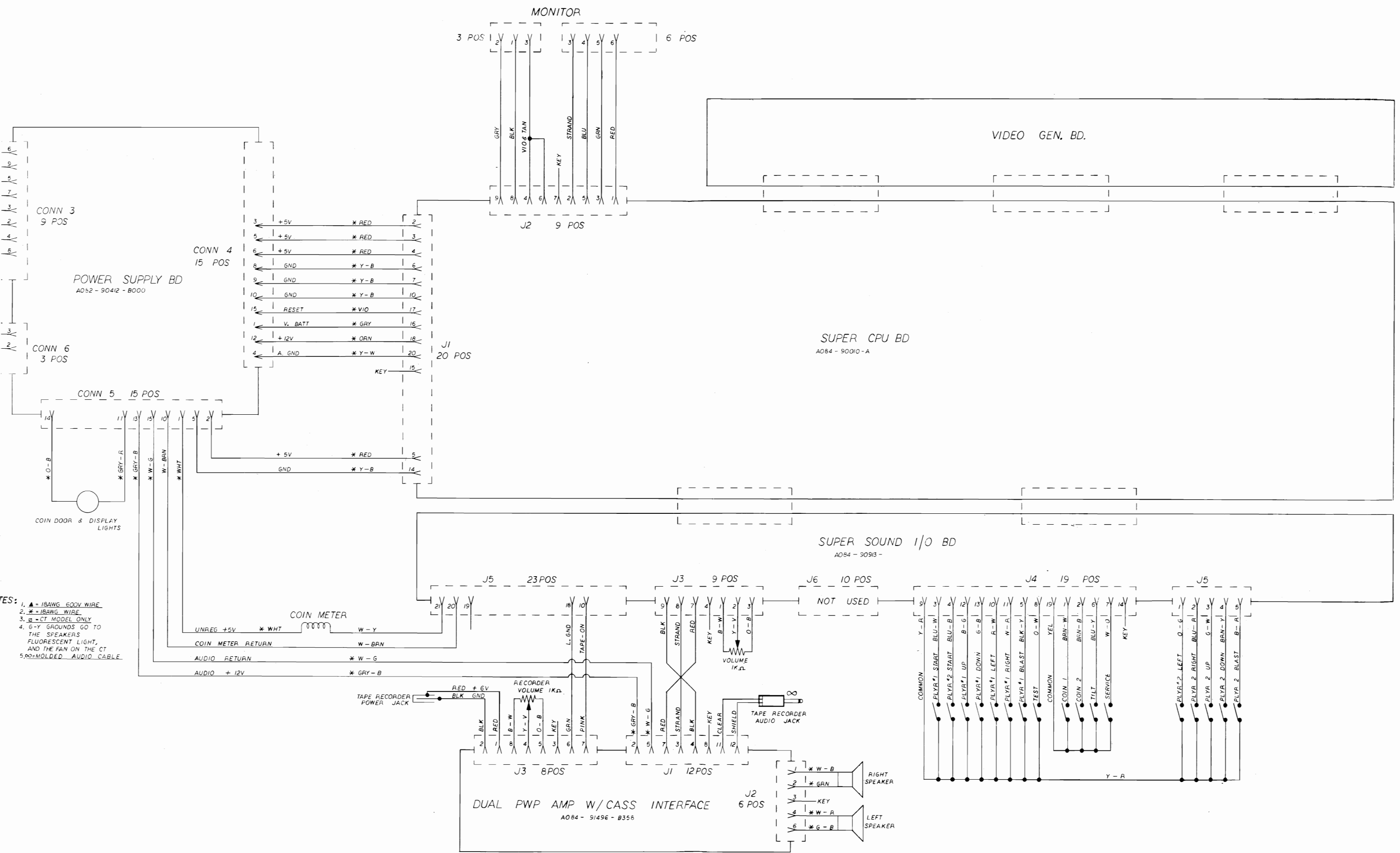
III. Wiring Diagrams & Schematics



REVISION	DATE	NAME

JOURNEY
M051 - 00358 - A003

Bally / MIDWAY
10601 W BELMONT
FRANKLIN PARK, ILL. 60131



- NOTES:
- ▲ = 18AWG EOOD WIRE
 - * = 18AWG WIRE
 - = CT MODEL ONLY
 - G-Y GROUNDS GO TO THE SPEAKERS, FLUORESCENT LIGHT, AND THE FAN ON THE CT
 - 5.00=MOLDED AUDIO CABLE

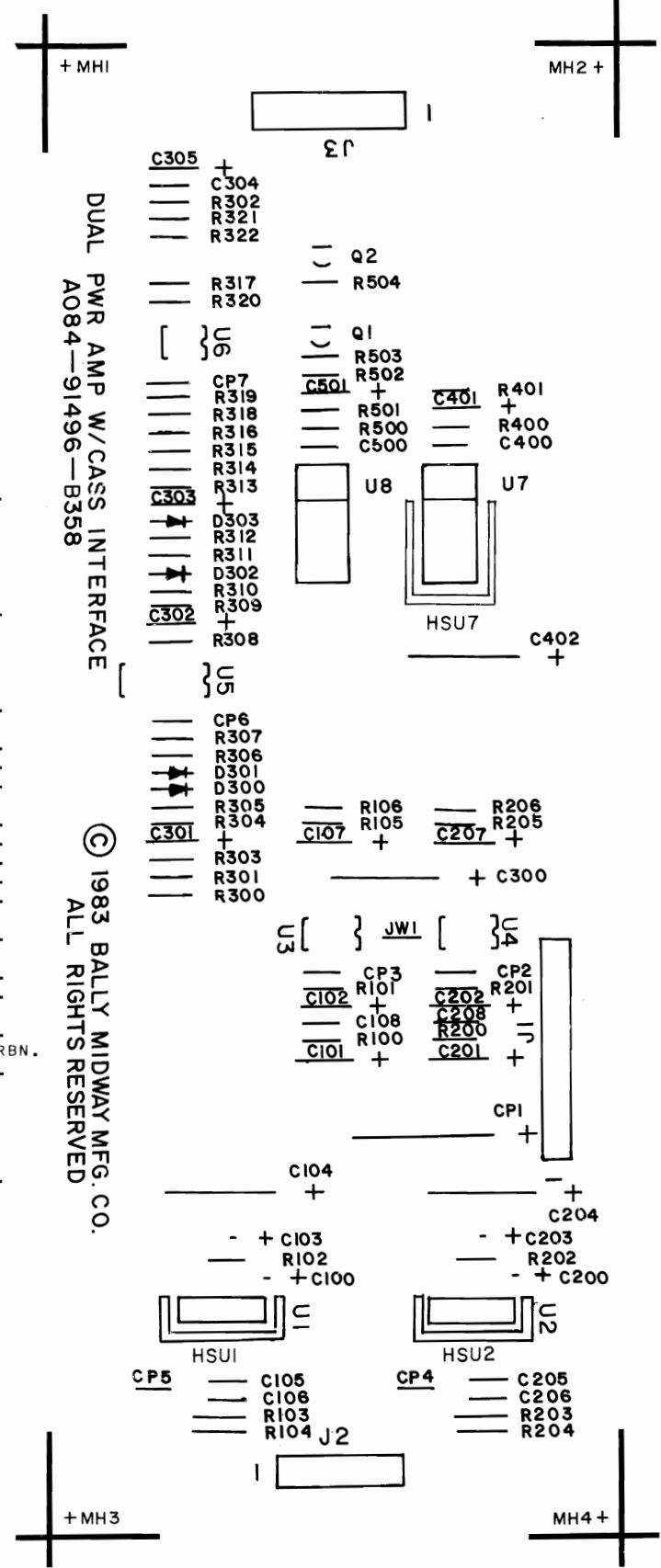
DESIGNATION LIST

DESIGNATION NO.	DESCRIPTION
C100-C102	4.7 MF TANT.
C103	22 MF TANT.
C104	470 MF ELECT.
C105, C106	.1 MF CER.
C107	1 MF TANT.
C108	680 PF CER.
C200-C202	4.7 MF TANT.
C203	22 MF TANT.
C204	470 MF ELECT.
C205, C206	.1 MF CER.
C300	100 MF ELECT.
C301-C303	10 MF TANT.
C304	.1 MF CER.
C305	10 MF TANT.
C400	.1 MF CER.
C401	4.7 MF TANT.
C402	100 MF ELECT.
C500	.1 MF CER.
C501	1 MF TANT.
CP1	220 MF ELECT.
CP3-CP7	.1 MF CER.
R100	8.2K OHM 1/4W 5% CRBN.
R101	3K OHM 1/4W 5% CRBN.
R102	82 OHM 1/4W 5% CRBN.
R103, R104	1 OHM 1/2W 5% CRBN.
R105	24K OHM 1/4W 5% CRBN.
R106	75K OHM 1/4W 5% CRBN.
R200	8.2K OHM 1/4W 5% CRBN.
R201	3K OHM 1/4W 5% CRBN.
R202	82 OHM 1/4W 5% CRBN.
R203, R204	1 OHM 1/2W 5% CRBN.
R300-R303	1M OHM 1/4W 5% CRBN.
R304	220K OHM 1/4W 5% CRBN.
R305	33K OHM 1/4W 5% CRBN.
R306	4.7M OHM 1/4W 5% CRBN.
R307	2.7M OHM 1/4W 5% CRBN.
R308	1.5M OHM 1/4W 5% CRBN.
R309	82K OHM 1/4W 5% CRBN.
R310	1.5K OHM 1/4W 5% CRBN.
R311	160K OHM 1/4W 5% CRBN.
R312	620K OHM 1/4W 5% CRBN.
R313	1.5K OHM 1/4W 5% CRBN.
R314	1.5M OHM 1/4W 5% CRBN.
R315	1M OHM 1/4W 5% CRBN.
R316	220K OHM 1/4W 5% CRBN.
R317	10K OHM 1/4W 5% CRBN.
R318	5.6M OHM 1/4W 5% CRBN.
R319	4.7M OHM 1/4W 5% CRBN.
R320	220 OHM 1/4W 5% CRBN.
R321	1.6K OHM 1/4W 5% CRBN.
R322	390 OHM 1/4W OHM 5% CRBN.
R400	1.5K OHM 1/4W 5% CRBN.
R401	240 OHM 1/4W 5% CRBN.
R500	220 OHM 1/4W 5% CRBN.
R501	39 OHM 1/4W 5% CRBN.
R502	10K OHM 1/4W 5% CRBN.
R503	560 OHM 1/4W 5% CRBN.
R504	1.5K OHM 1/4W 5% CRBN.
D300-D303	1N4148
Q1	2N4403 OR 2N2905
Q2	2N3904
U1, U2	MB3730
U3	MC3340
U5	LM3900
U6	4N28
U7	LM317T
U8	7805
H.S.U1, H.S.U2	HEATSINK ASSY
H.S.U7	HEATSINK
J1	8 PIN KK. 156 OMIT PIN 3
J2	6 PIN KK. 156 OMIT PIN 3
J3	12 PIN KK. 156 OMIT PIN 8
JW1	JUMPER WIRE
MH1-MH4	1/4" SPACER FOR #8 SCREW
MHU8	SNAP
DUAL PWR AMP W/CASS INTFC.	A080-91496-B358

CROSS REFERENCE LIST

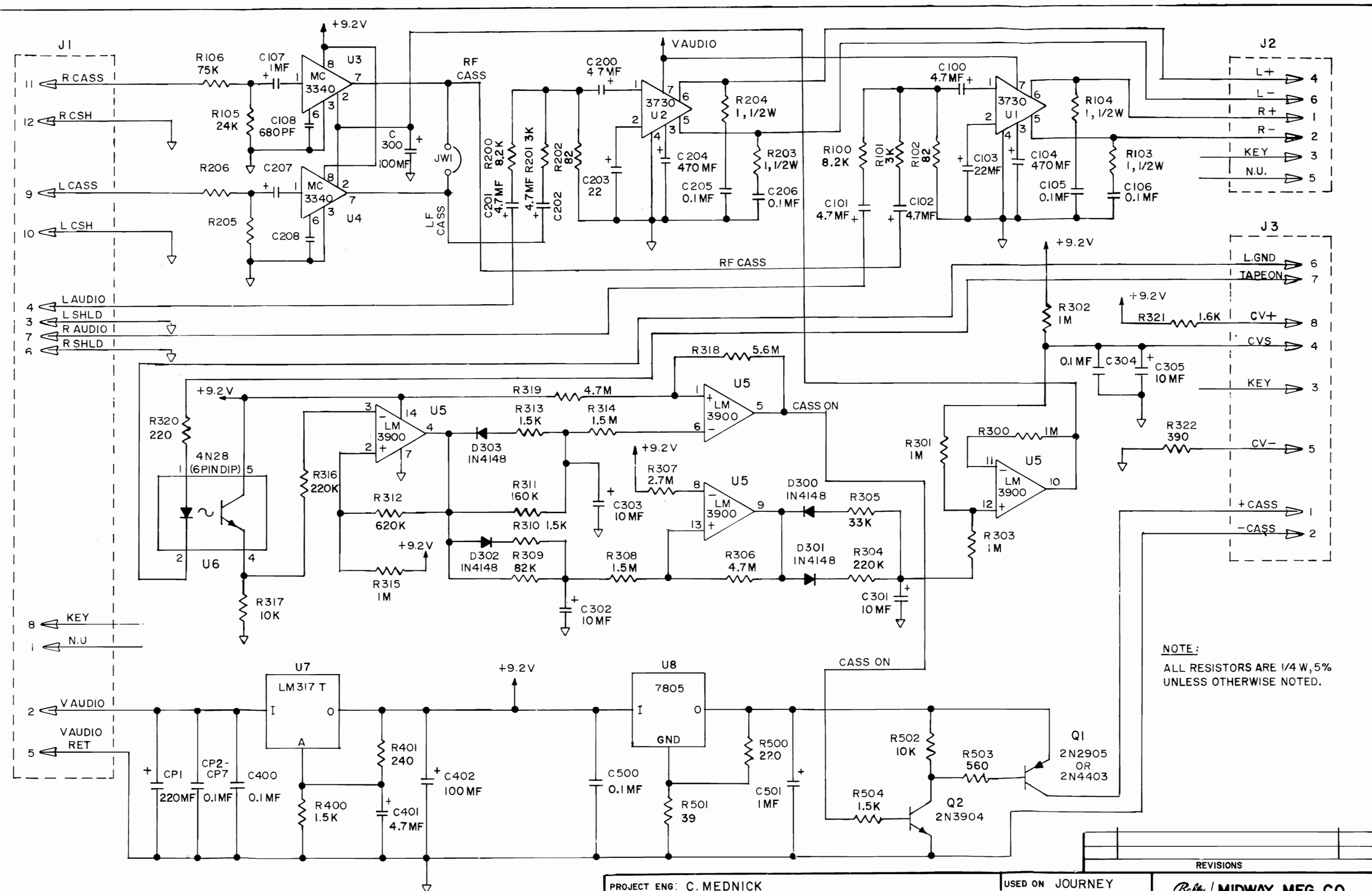
DESCRIPTION	QTY	DESIGNATION NO.	PART NOS.
680 PF AX. CER.	1	C108	0358-00800-0002
.1 MF 50V AX. CER.	12	C105-C106, C205-C206, C304, C400, C500, CP3-CP7	0986-00800-1100
1 MF 20V AX. TANT.	2	C107, C501	0986-0800-1400
4.7 MF 25V RD. TANT.	7	C100-C102, C200-C202, C401	0986-00800-3100
10 MF 25V AX. TANT.	4	C301-C303, C305	0986-00800-0700
22 MF 16V RD. TANT.	2	C103, C203	0986-00800-1600
100 MF 16V AX. ELECT.	2	C300, C402	0358-00800-0000
220 MF 25V AX. ELECT.	1	CP1	0986-00800-3200
470 MF 6V AX. ELECT.	2	C104, C204	0986-00800-1700
1 OHM 1/2W 5%	4	R103, R104, R203, R204	0062-02603-1XXX
39 OHM 1/4W 5%	1	R501	0062-080B3-1XXX
82 OHM 1/4W 5%	2	R102, R202	0062-104B3-1XXX
220 OHM 1/4W 5%	2	R320, R500	0062-133B3-1XXX
240 OHM 1/4W 5%	1	R401	0062-135B3-1XXX
390 OHM 1/4W 5%	1	R322	0062-150B3-1XXX
560 OHM 1/4W 5%	1	R503	0062-162B3-1XXX
1.5K OHM 1/4W 5%	4	R310, R313, R400, R504	0062-187B3-1XXX
1.6K OHM 1/4W 5%	1	R321	0062-189B3-1XXX
3K OHM 1/4W 5%	2	R101, R201	0062-201B3-1XXX
8.2K OHM 1/4W 5%	2	R100, R200	0062-223B3-1XXX
10K OHM 1/4W 5%	2	R317, R502	0062-227B3-1XXX
24K OHM 1/4W 5%	1	R105	0062-245B3-1XXX
33K OHM 1/4W 5%	1	R305	0062-251B3-1XXX
75K OHM 1/4W 5%	1	R106	0062-269B3-1XXX
82K OHM 1/4W 5%	1	R309	0062-271B3-1XXX
160K OHM 1/4W 5%	1	R311	0062-285B3-1XXX
220K OHM 1/4W 5%	2	R304, R316	0062-291B3-1XXX
620K OHM 1/4W 5%	1	R312	0062-313B3-1XXX
1M OHM 1/4W 5%	5	R300-R303, R315	0062-323B3-1XXX
1.5M OHM 1/4W 5%	2	R308, R314	0062-331B3-1XXX
2.7M OHM 1/4W 5%	1	R307	0062-343B3-1XXX
4.7M OHM 1/4W 5%	2	R306, R319	0062-355B3-1XXX
5.6M OHM 1/4W 5%	1	R318	0062-359B3-1XXX
1N4148	4	D300-D303	0986-00801-0200
2N3904	1	Q2	0358-00802-0001
2N4403 OR 2N2905	1	Q1	0358-00802-0000
4N28	1	U6	0358-00804-0000
7805	1	U8	0358-00803-0001
LM317T	1	U7	0358-00803-0000
LM3900	1	U5	0986-00803-4900
MB3730	2	U1, U2	0066-188XX-XX4X
MC3340	1	U3	0358-00803-0002
6 PIN KK156 OMIT PIN 3	1	J2	3000-16367-0613
8 PIN KK156 OMIT PIN 3	1	J1	3000-16367-0810
12 PIN KK156 OMIT PIN 8	1	J3	3000-16367-1213
JUMPER WIRE	1	JW1	0986-00804-4000
HEATSINK	1	HSU7	0358-00804-0001
HEATSINK ASSY	2	HSU1, HSU2	A986-00010-0000
SNAP	1	MHU8	0017-00007-0134
1/4" SPACER FOR #8 SCREW	4	MH1-MH4	0017-00042-0320
DUAL PWR AMP W/CASS INTFC.	1		A080-91496-B358

DUAL PWR AMP W/CASS INTERFACE
 A084-91496-B358
 © 1983 BALLY MIDWAY MFG. CO.
 ALL RIGHTS RESERVED



REVISIONS

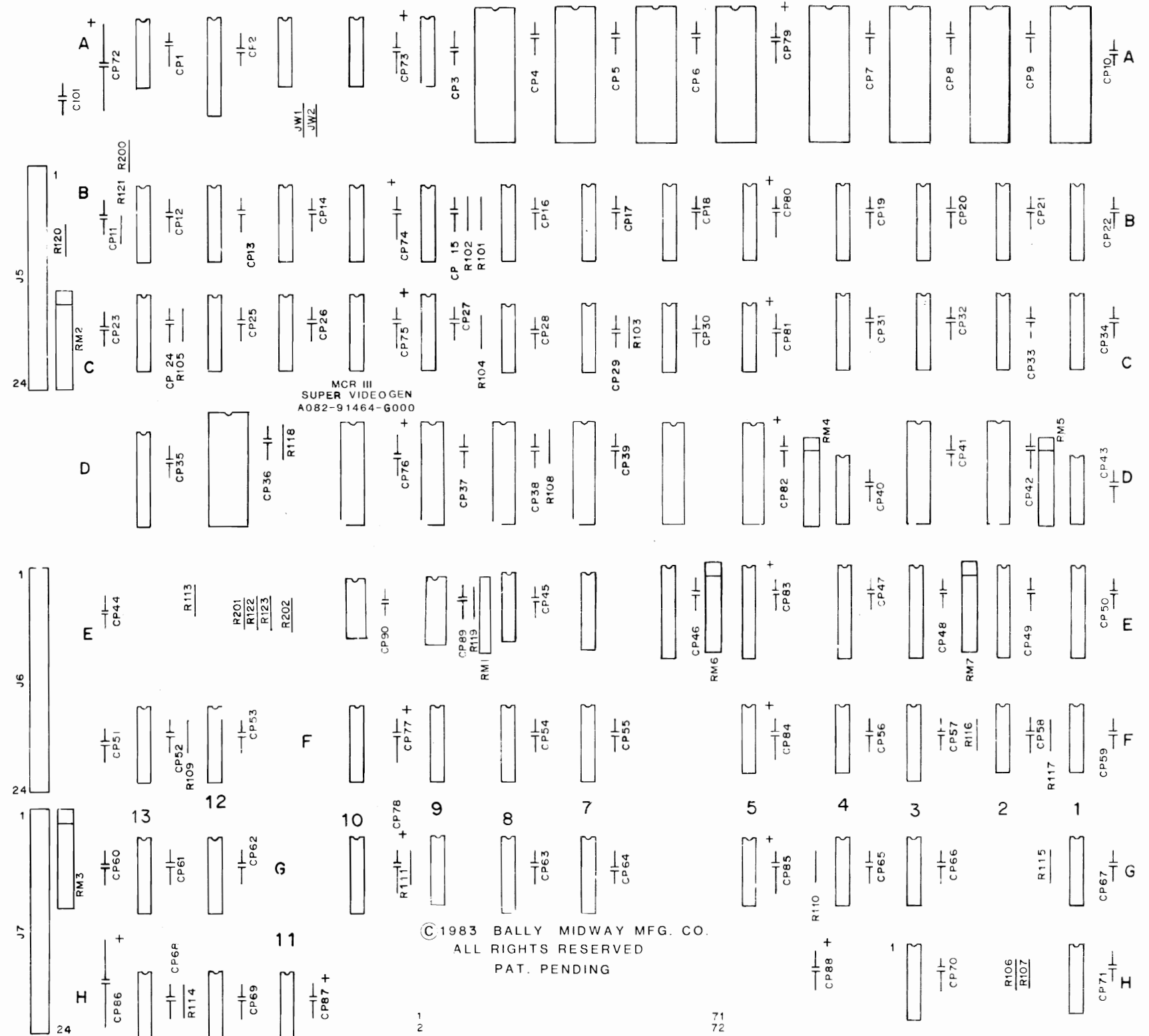
PROJECT ENG: C.MEDNICK		USED ON JOURNEY		Bally / MIDWAY MFG. CO.	
DO NOT SCALE DWG		HEAT TREAT	SCALE FULL	NO. REQ'D 1 PER	
DIM TOLERANCES UNLESS SPECIFIED		MAT'L.	DUAL PWR AMP W/CASS INTERFACE ASSEMBLY DWG		PART NO.
UNIFORMITY TYP. 00		FINISH	A084-91496-B358		M051 - 00358 - B008
HOLE DIA + .007 000		DATE 04/05/83			



PROJECT ENG: C. MEDNICK		USED ON JOURNEY		REVISIONS	
DO NOT SCALE DWG.		HEAT TREAT	SCALE	NO. REQ'D I PER	
DIM. TOLERANCES UNLESS SPECIFIED		MAT'L.	FULL	Bally / MIDWAY MFG. CO. FRANKLIN PK. ILL.	
CONCENTRICITY TYP. 0.02		FINISH	DUAL PWR AMP W/CASS INTERFACE		PART NO.
FRACTIONAL 1/64			SCHEMATIC DWG		M051 - 00358 - B009
DECIMAL 0.005			A084-91496 - B358		
HOLE DIA. +.002 .000		DATE			
		04/07/83			

DESIGNATION LIST

DESIGNATION	DESCRIPTION	DESIGNATION	DESCRIPTION
C101	.01 MF AX CER	IC 1D	7420
CP1-CP71	.01 MF AX CER	IC 2D	93479
CP72,CP86	100 MF AX ELECT.	IC 3D	93479
CP73-CP85,CP87,CP88	10 MF 25V AX TANT.	IC 4D	7420
CP89,CP90	.01MF AX. CER.	IC 5D	93479
		IC 6D	93479
R101-R111,R113-R121	1K OHM 1/4W	IC 7D	93422
R122,R123	560 OHM 1/4W	IC 8D	93422
R200	100 OHM 1/4W	IC 9D	93422
R201,R202	82 OHM 1/4W	IC 10D	93422
		IC 12D	STAT. RAM
		IC 13D	74LS245
RM1	82 8 PIN SIP	IC 1E	74LS374
RM 2	1K 10 PIN SIP	IC 2E	74LS374
RM 3	1K 10 PIN SIP	IC 3E	74LS374
RM 4	1K 9 PIN SIP	IC 4E	74LS374
RM 5	1K 9 PIN SIP	IC 5E	74LS374
RM 6	1K 9 PIN SIP	IC 6E	74LS374
RM 7	1K 9 PIN SIP	IC 7E	74LS258
		IC 8E	74LS00
IC 1A	EPROM	IC 9E	74S161
IC 2A	EPROM	IC 10E	74S04
IC 3A	EPROM	IC 1F	74LS74
IC 4A	EPROM	IC 2F	74LS74
IC 5A	EPROM	IC 3F	74LS157
IC 6A	EPROM	IC 4F	74LS00
IC 7A	EPROM	IC 5F	74LS32
IC 8A	EPROM	IC 7F	74LS283
IC 9A	74LS86	IC 8F	74LS175
IC 10A	74LS86	IC 9F	74LS157
IC 11A	74LS174	IC 10F	74LS157
IC 12A	74LS273	IC 12F	74LS157
IC 13A	74S04	IC 13F	74LS157
		IC 1G	74LS74
IC 1B	74LS194	IC 3G	74S08
IC 2B	74LS194	IC 4G	74LS30
IC 3B	74LS194	IC 5G	74LS30
IC 4B	74LS194	IC 7G	74LS283
IC 5B	74LS194	IC 8G	74LS174
IC 6B	74LS194	IC 9G	74LS10
IC 7B	74LS194	IC 10G	74LS157
IC 8B	74LS194	IC 12G	74LS157
IC 9B	74LS161	IC 13G	74LS157
IC 10B	74LS174		
IC 11B	74LS174	IC 1H	74LS32
IC 12B	74S283	IC 3H	74LS258
IC 13B	74S283	IC 11H	7420
		IC 12H	7420
		IC 13H	74LS74
IC 1C	74LS258	ICS1A-ICS8A	28 PIN SOCKET
IC 2C	74LS258	ICS D2,D3,D5-D10	22 PIN SOCKET
IC 3C	74LS258	ICS D12	24 PIN SOCKET
IC 4C	74LS258		
IC 5C	74LS00	J5,J6,J7	KK100 RT. ANGLE 24 PIN CONN.
IC 6C	74LS04		
IC 7C	74LS74	JW 1, JW2	JUMPER WIRE
IC 8C	74LS30	MCR III SUPER VIDEO GEN.	A082-91464-G000
IC 9C	74LS169		
IC 10C	74LS169		
IC 11C	74LS169		
IC 12C	74LS169		
IC 13C	74S133		

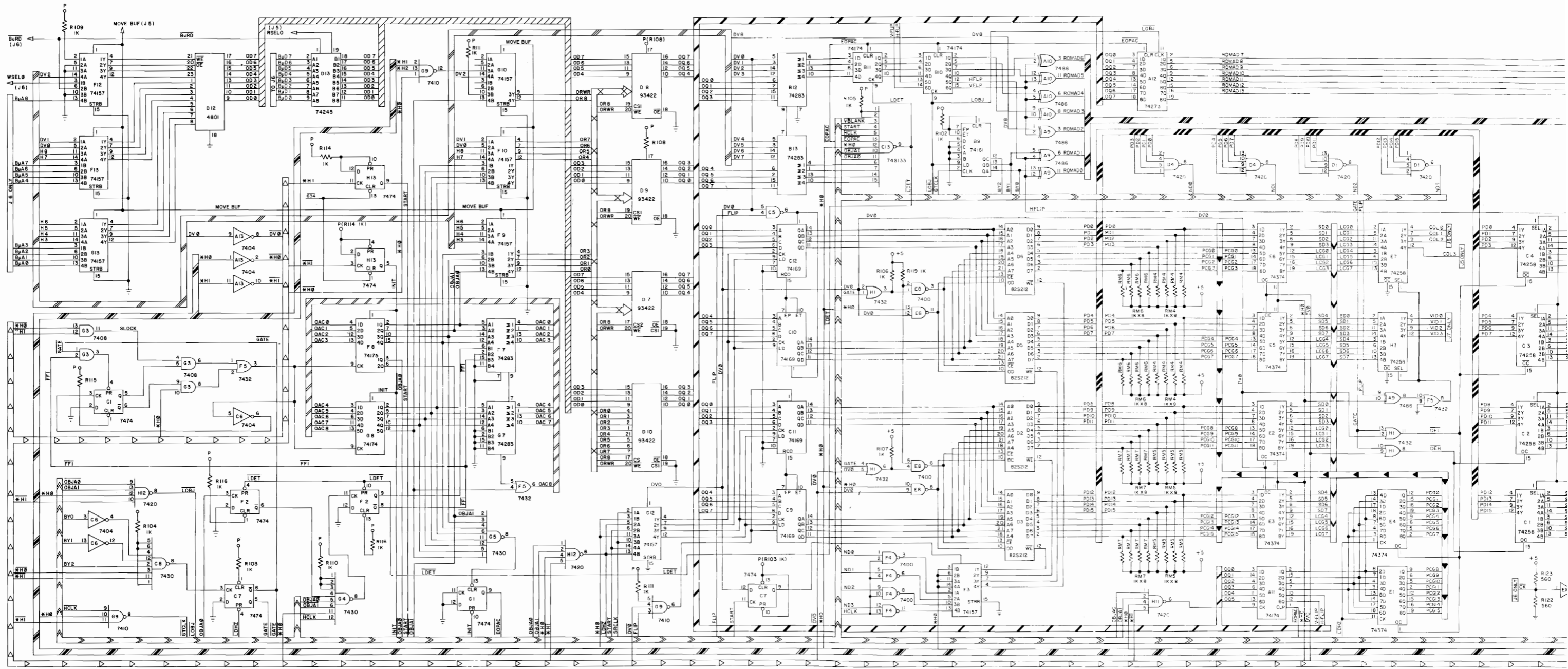


CROSS REFERENCE LIST

<u>DESCRIPTION</u>	<u>QTY</u>	<u>DESIGNATION NO.</u>	<u>PART NOS.</u>
CAP .01MF	74	C101, CP1-CP71,	0986-00800-2500
		CP89, CP90	
CAP 10MF	15	CP73-CP85, CP87,	0986-00800-2400
		CP88	
CAP 100MF	2	CP72, CP86	0986-00800-1800
82 OHM 1/4 W RES.	2	R201, R202	0062-104B3-1XXX
100 OHM 1/4 W RES.	1	R200	0062-110B3-1XXX
1K OHM 1/4 W RES.	20	R101-R111, R113- R121	0062-179B3-1XXX
560 OHM 1/4 W RES.	2	R122, R123	0062-162B3-1XXX
8 PIN SIP 82 OHM	1	RM1	0333-00804-0004
9 PIN SIP 1K OHM	4	RM4-RM7	0304-00804-0002
10 PIN SIP 1K OHM	2	RM2, RM3	0986-00804-1000
74LS00	3	C5, F4, E8	0304-00803-0010
74S04	2	A13, E10	0304-00803-0011
74LS04	1	C6	0304-00803-0012
74S08	1	G3	0304-00803-0037
74LS10	1	G9	0304-00803-0014
7420	4	D1, D4, H11, H12	0304-00803-0015
74LS30	3	C8, G4, G5	0304-00803-0016
74LS32	2	F5, H1	0304-00803-0017
74LS74	5	C7, F1, F2, G1, H13	0304-00803-0018
74LS86	2	A9, A10	0304-00803-0019
74S133	1	C13	0304-00803-0020
74LS157	8	F3, F9, F10, F12, F13, G10, G12, G13	0304-00803-0021
74S161	1	E9	0304-00803-0038
74LS161	1	B9	0304-00803-0022
74LS169	4	C9-C12	0304-00803-0023
74LS174	4	A11, B10, B11, G8	0304-00803-0024
74LS175	1	F8	0304-00803-0025
74LS194	8	B1-B8	0304-00803-0026
74LS245	1	D13	0304-00803-0027
74LS258	6	C1-C4, E7, H3	0304-00803-0028
74LS273	1	A12	0304-00803-0029
74S283	2	B12, B13	0304-00803-0039
74LS283	2	F7, G7	0304-00803-0030
74LS374	6	E1-E6	0304-00803-0031
93422	4	D7-D10	0304-00803-0032
93479	4	D2, D3, D5, D6	0304-00803-0033
STAT. RAM	1	D12	0304-00803-0034
28 PIN SOCKET	8	ICS A1-A8	0986-00804-0300
22 PIN SOCKET	8	ICS D2, D3, D5, D6, D7-D10	0986-00804-0700
24 PIN SOCKET	1	ICS D12	0986-00804-1600
KK100 RT. ANGLE 24 PIN CONN.	3	J5, J6, J7	0986-00804-4700
JUMPER WIRE	2	JW1, JW2	0986-00805-0200
MCR III SUPER VIDEO GEN.			A082-91464-G000

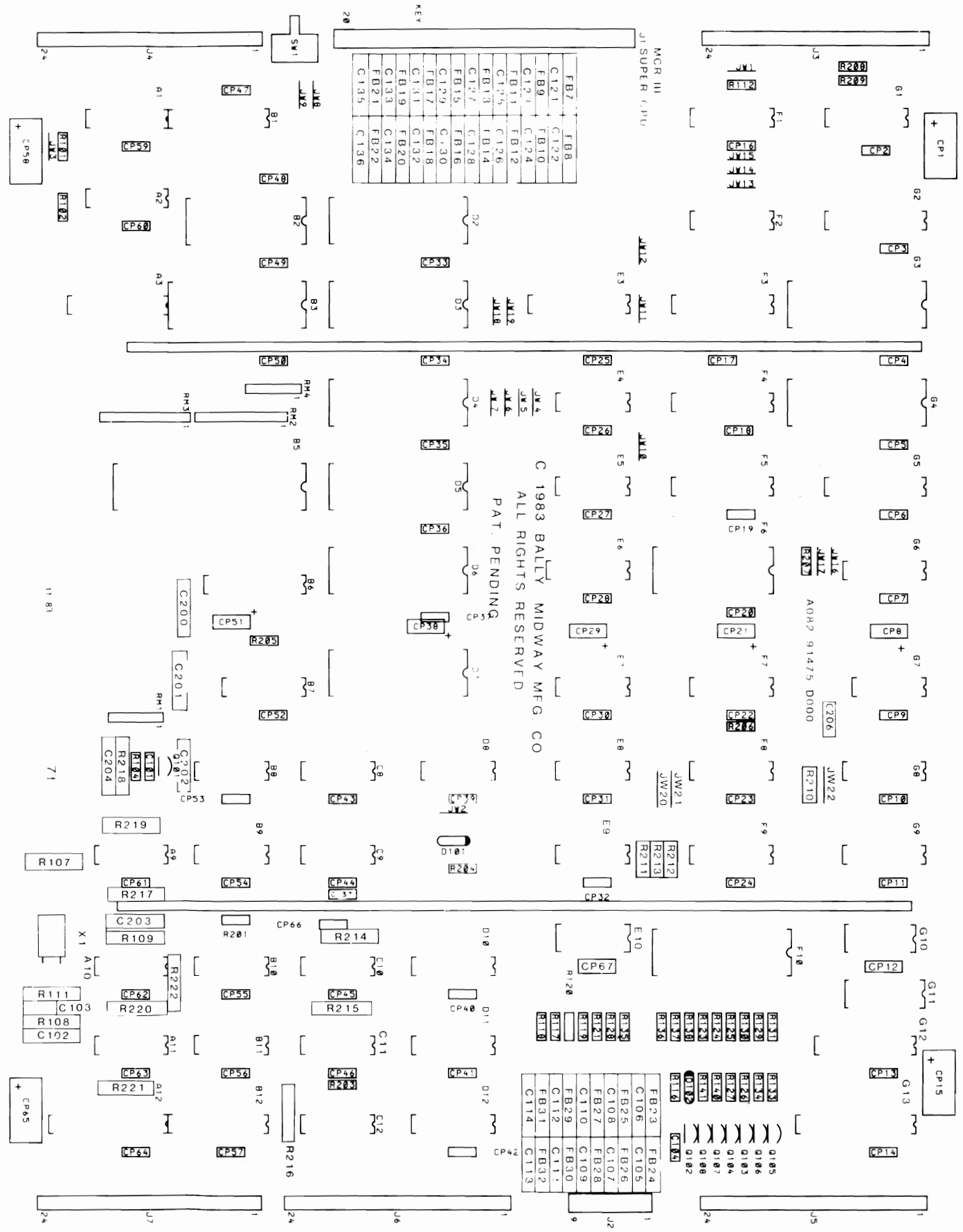
REVISIONS			

PROJECT ENG: R. PLOUSSARD		USED ON JOURNEY		Bally / MIDWAY MFG. CO.	
DO NOT SCALE DWG.		HEAT TREAT	SCALE FULL	FRANKLIN PK ILL	
DIM TOLERANCES UNLESS SPECIFIED		MAT'L.	NO. REQ'D 1 PER	PART NO.	
CONCENTRICITY ± .005	DRN <i>TBB</i>	FINISH	SUPER VIDEO GEN. MCR III ASSY DWG A082-91464-G000		M051 - 00358 - A011
FRACTIONAL ± .005	CKD <i>Lat</i>				
DECIMAL ± .005	DATE 04/25/83				
HOLE DIA + .002 - .005					

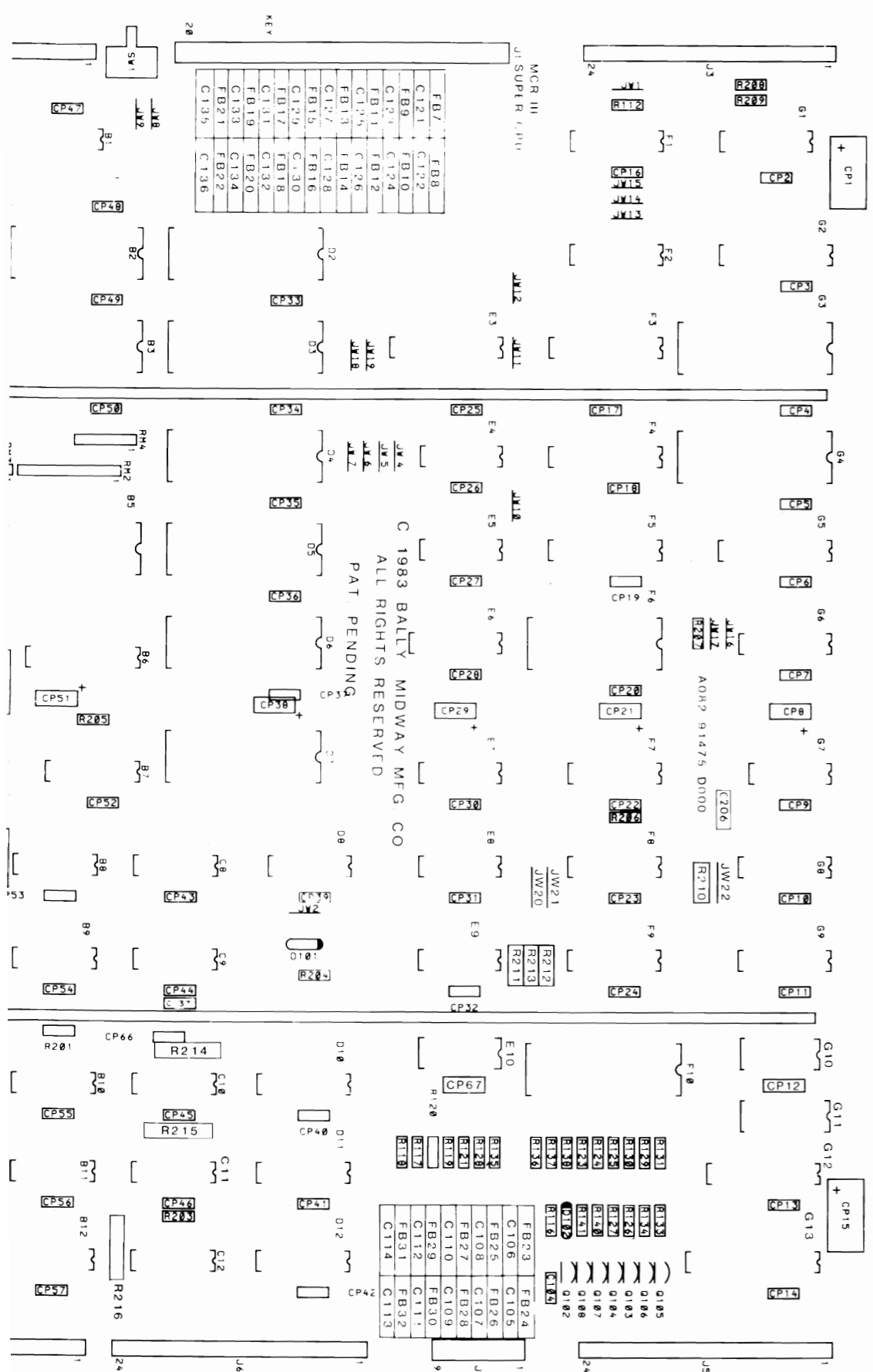


DESCRIPTION LIST

DESIGNATION NO.	DESCRIPTION	DESIGNATION NO.	DESCRIPTION
C101	33PF AX CER.	B1	74LS244
C102	0.1MF AX CER.	B2	CMOSRAM
C103	0.1MF MYLAR	B3	MK3882
C104	390PF AX CER.	B5	MK3880
C105-C110	47PF AX CER.	B6	74LS244
C111-C114	820PF AX CER.	B7	74LS133
C121-C137	390PF AX CER.	B8	74LS32
C200	820PF AX CER.	B9	74S04
C201,C202	390PF AX CER.	B10	74LS74
C203	100PF AX CER.	B11	74LS32
C204	0.1MF AX CER.	B12	V&H-T
C206	100PF AX CER.		
CP1	470MF 16V ELECT. AX.	C8	74LS08
CP2-CP7	0.01MF 50V AX CER.	C9	74LS74
CP8	10.MF 25V AX TANT.	C10	74S04
CP9-CP14	0.01MF 50V AX CER.	C11,C12	74LS20
CP15	470MF 16V ELECT. AX.		
CP16-CP20	0.01MF 50V AX CER.	D2	EPROM
CP21	10 MF	D3	EPROM
CP22-CP28	0.01 MF	D4	EPROM
CP29	10 MF	D5	EPROM
CP30-CP37	0.01 MF	D6	EPROM
CP38	10 MF	D7	EPROM
CP39-CP50	0.01 MF	D8	74LS04
CP51	10 MF	D10-D12	74LS157
CP52-CP57	0.01 MF		
CP58	470 MF 16V ELECT AX.	E3	NVR CONTROLLER
CP59-CP64	0.01 MF	E4,E5	74LS32
CP65	470 MF	E6	74LS138
CP66	0.1 MF 50V AX CER.	E7	74LS86
CP67	0.01 MF	E8	74LS27
R101	4.7K OHM 1/4W CRBN.	E9	74LS04
R102	1K OHM 1/4W CRBN.	E10	7406
R104	82K OHM 1/4W CRBN.	F1	4053
R107	1K OHM 1/4W CRBN.	F2	4017
R108	330 OHM 1/4W CRBN.	F3	74LS245
R109	1K OHM 1/4W CRBN.	F4,F5	74LS273
R111	330 OHM 1/4W CRBN.	F6	6116
R112	4.7K OHM 1/4W CRBN.	F7	74LS174
R116	1K OHM 1/4W CRBN.	F8,F9	74LS157
R117,R118	560 OHM 1/4W CRBN.	F10	93419
R119	100 OHM 1/4W CRBN.		
R120	820 OHM 1/4W CRBN.	G1	74LS153
R121	470 OHM 1/4W CRBN.	G2	74LS273
R123	510 OHM 1/4W CRBN.	G3	EPROM
R124	1K OHM 1/4W CRBN.	G4	EPROM
R125	2K OHM 1/4W CRBN.	G5	74LS273
R126,R127	10 OHM 1/4W CRBN.	G6	74LS153
R128	470 OHM 1/4W CRBN.	G7	74LS86
R129	1K OHM 1/4W CRBN.	G8	74LS174
R130	510 OHM 1/4W CRBN.	G9	74LS157
R131	2K OHM 1/4W CRBN.	G10	7408
R133,R134	10 OHM 1/4W CRBN.	G11	74LS157
R135	470 OHM 1/4W CRBN.	G12	CUSTOM IC
R136	510 OHM 1/4W CRBN.	G13	V-T GEN.
R137	1K OHM 1/4W CRBN.		
R138	2K OHM 1/4W CRBN.	FB7-FB32	FERRITE BEAD
R140,R141	10 OHM 1/4W CRBN.	ICSA12	8 PIN IC SOCKET
R201	1K OHM 1/4W CRBN.	ICSA12A	16 PIN IC SOCKET
R203-R207	1K OHM 1/4W CRBN.	ICSB2	24 PIN IC SOCKET
R208,R209	4.7K OHM 1/4W CRBN.	ICSB3	28 PIN IC SOCKET
R210	1K OHM 1/4W CRBN.	ICSB5	40 PIN IC SOCKET
R211-R213	3.9K OHM 1/4W CRBN.	ICSB12	20 PIN IC SOCKET
R214-R217	82 OHM 1/4 CRBN.	ICSD2-D7	28 PIN IC SOCKET
R218	62 OHM 1/4 CRBN.	ICSE3	20 PIN IC SOCKET
R219	82 OHM 1/4 CRBN.	ICSF6	24 PIN IC SOCKET
R220	47 OHM 1/4 CRBN.	ICSF10	28 PIN IC SOCKET
R221,R222	82 OHM 1/4 CRBN.	ICSG3,ICSG4	28 PIN IC SOCKET
RM1	4.7K 6 PIN SIP	ICSG12	20 PIN IC SOCKET
RM2,RM3	4.7K 10 PIN SIP	ICSG13	8 PIN IC SOCKET
RM4	4.7K 6 PIN SIP	ICSG13A	16 PIN IC SOCKET
D101	1N5817	J1	FMD. HDR..156 C
D102	4148		OMIT 15
Q101	2N4403	J2	FMD. HDR..100 C
Q102	2N4123		OMIT 3
Q103-Q108	MPSA70	J3-J7	KK100 RT ANGLE 24 PIN
A1	74LS161	JW1-JW22	ZERO OHM RESISTORS
A2	74LS367		FLEX-PAC JUMPER
A3	74LS245	SW1	SWITCH PC MOUNTING
A9,A10	74S74		
A11	74S04		
A12	H-T		
		BB1,BB2	BUS BAR



DESCRIPTION	QTY
33PF AX CER.	1
47 PF AX CER.	6
100 PF AX CER.	2
390 PF AX CER.	20
820 PF AX CER.	5
0.01MF 50V AX CER.	57
0.1MF 100V MYLAR	1
0.1MF 50V AX CER.	3
10MF 25V AX TANT.	5
470 MF 16V AX ELECT.	4
10 OHM 1/4W CRBN.	6
47 OHM 1/4W CRBN.	1
62 OHM 1/4W CRBN.	1
82 OHM 1/4W CRBN.	7
100 OHM 1/4W CRBN.	1
330 OHM 1/4W CRBN.	2
470 OHM 1/4W CRBN.	3
510 OHM 1/4W CRBN.	3
560 OHM 1/4W CRBN.	2
820 OHM 1/4W CRBN.	1
1K OHM 1/4W CRBN.	14
2K OHM 1/4W CRBN.	3
3.9K OHM 1/4W CRBN.	3
4.7K OHM 1/4W CRBN.	4
82K OHM 1/4W CRBN.	1
4.7K 6 PIN SIP	2
4.7K 10 PIN SIP	2
1N5817	1
4148	1
2N4403	1
2N4123	1
MPSA70	6
74S04	3
74LS04	2
7406	1
7408	1
74LS08	1
74LS20	2
74LS27	1
74LS32	4
74S74	1
74LS74	2
74LS86	2
74LS133	1
74LS138	1
74LS153	2
74LS157	7

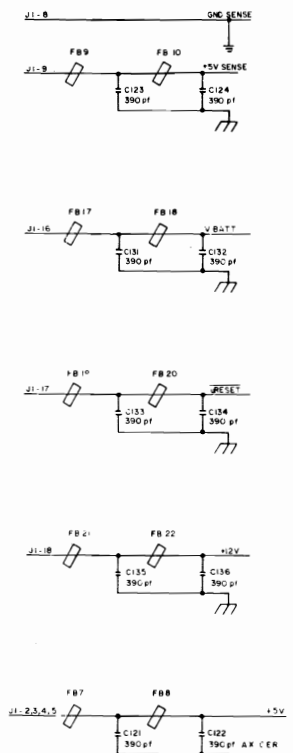
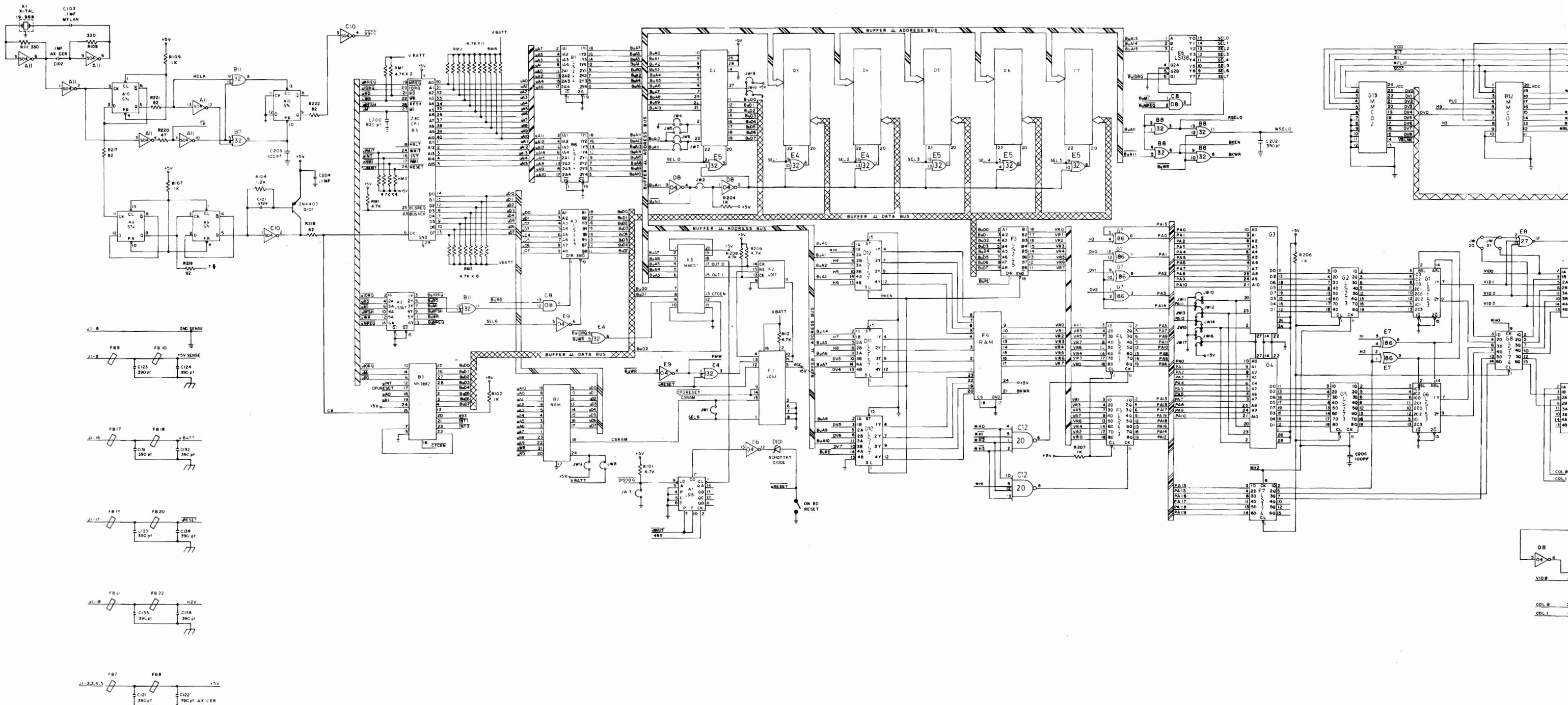


CROSS REFERENCE LIST

DESCRIPTION	QTY	DESIGNATION NO.	PART NOS.	DESCRIPTION	QTY	DESIGNATION NO.	PART NOS.
33PF AX CER.	1	C101	0986-00800-0300	74LS161	1	A1	0986-00803-1003
47 PF AX CER.	6	C105-C110	0986-00800-2800	74LS174	2	F7,G8	0986-00803-9800
100 PF AX CER.	2	C203,C206	0986-00800-1000	74LS244	2	B1,B6	0986-00803-0800
390 PF AX CER.	20	C104,C121-C137, C201,C202	0986-00800-3000	74LS245	2	A3,F3	0986-00803-0900
820 PF AX CER.	5	C111-C114,C200	0986-00800-3501	74LS273	4	F4,F5,G2,G5	0986-00803-1001
0.01MF 50V AX CER.	57	CP2-CP7,CP9-CP14 CP16-CP20,CP22- CP28,CP30-CP37, CP39-CP50,CP52- CP57,CP59-CP64, CP67	0986-00800-2200	74LS367	1	A2	0986-00803-2200
0.1MF 100V MYLAR	1	C103	0986-00800-0100	MK3880	1	B5	0986-00803-7800
0.1MF 50V AX CER.	3	C102,CP66,C204	0986-00800-0200	MK3882	1	B3	0986-00803-7700
10MF 25V AX TANT.	5	CP8,CP21,CP29, CP38,CP51	0986-00800-3400	4017	1	F2	0986-00803-8700
470 MF 16V AX ELECT.	4	CP1,CP15,CP58, CP65	0986-00800-3300	4053	1	F1	0986-00803-2000
10 OHM 1/4W CRBN.	6	R126,R127,R133, R134,R140,R141	0062-051B3-1XXX	COMS RAM	1	B2	0986-00803-8100
47 OHM 1/4W CRBN.	1	R220	0062-086B3-1XXX	6116	1	F6	0986-00803-1008
62 OHM 1/4W CRBN.	1	R218	0062-095B3-1XXX	93419	1	F10	0986-00803-9600
82 OHM 1/4W CRBN.	7	R214-R217,R219,R221, R222	0062-104B3-1XXX	H-T GEN.	1	A12	0986-00803-8900
100 OHM 1/4W CRBN.	1	R119	0062-110B3-1XXX	V-T GEN.	1	G13	0986-00803-9000
330 OHM 1/4W CRBN.	2	R108,R111	0062-144B3-1XXX	V&H GEN.	1	B12	0986-00803-9100
470 OHM 1/4W CRBN.	3	R121,R128,R135	0062-156B3-1XXX	MISC. CUSTOM	1	G12	0986-00803-9200
510 OHM 1/4W CRBN.	3	R123,R130,R136	0062-159B3-1XXX	NVR CONTROLLER	1	E3	0986-00804-3200
560 OHM 1/4W CRBN.	2	R117,R118	0062-162B3-1XXX	EPROM	1	D2	
820 OHM 1/4W CRBN.	1	R120	0062-174B3-1XXX	EPROM	1	D3	
1K OHM 1/4W CRBN.	14	R102,R107,R109, R116,R124,R129, R137,R201,R203- R207,R210	0062-179B3-1XXX	EPROM	1	D4	ROM/EPROM
2K OHM 1/4W CRBN.	3	R125,R131,R138	0062-193B3-1XXX	EPROM	1	D5	OPTIONS KIT
3.9K OHM 1/4W CRBN.	3	R211-R213	0304-207B3-1XXX	EPROM	1	D6	
4.7K OHM 1/4W CRBN.	4	R101,R112,R208, R209	0062-211B3-1XXX	EPROM	1	D7	
82K OHM 1/4W CRBN.	1	R104	0062-271B3-1XXX	EPROM	1	G3	
4.7K 6 PIN SIP	2	RM1,RM4	0986-00804-2400	EPROM	1	G4	
4.7K 10 PIN SIP	2	RM2,RM3	0986-00804-4600	8 PIN IC SOCKET	2	ICSA12,ICSG13	0986-00804-3600
1N5817	1	D101	0986-00801-0300	16 PIN IC SOCKET	2	ICSA12A,ICSG13A	0986-00804-3700
4148	1	D102	0986-00801-0100	20 PIN IC SOCKET	3	ICSB12,ICSE3, ICSG12	0986-00804-3800
2N4403	1	Q101	0986-00802-0200	24 PIN IC SOCKET	2	ICSB2,ICSF6	0986-00804-3400
2N4123	1	Q102	0986-00802-0100	28 PIN IC SOCKET	10	ICSB3,ICSD2- ICSD7,ICSF10, ICSG3,ICSG4, ICSB5	0986-00804-3900
MPSA70	6	Q103-Q108	0986-00802-0300	40 PIN IC SOCKET	1	J1	3000-16366-0902
74S04	3	A11,B9,C10	0986-00803-0400	FMD. HDR. .156 C OMIT 15	1	J2	3000-16387-2010
74LS04	2	D8,E9	0986-00803-1007	FMD. HDR. .156 C OMIT 3	1	J3-J7	0986-00804-4700
7406	1	E10	0304-00803-0035	KK100 RT ANGLE 24 PIN CONN.	5	J3-J7	0986-00804-4700
7408	1	G10	0304-00803-0036	ZERO OHM RESISTORS	22	JW1-JW22	0986-00804-4000
74LS08	1	C8	0986-00803-1006	SWITCH PC MTG.	1	SW1	0986-00804-3100
74LS20	2	C11,C12	0986-00803-1004	19,968 MHZ CRYSTAL	1	XTAL	0986-00804-4900
74LS27	1	E8	0986-00803-9500	BUS BAR	2	BB1,BB2	0986-00804-4100
74LS32	4	B8,B11,E4,E5	0986-00803-0600	FLEX-PAC	5	J3-J7	0986-00804-4800
74S74	1	A9,A10	0986-00803-1500	FERRITE BEAD	26	FB7-FB32	0316-00804-0002
74LS74	2	B10,C9	0986-00803-1005	MCR III SUPER CPU BD.			A082-91475-D000
74LS86	2	E7,G7	0986-00803-9900				
74LS133	1	B7	0986-00803-1002				
74LS138	1	E6	0986-00803-1900				
74LS153	2	G1,G6	0986-00803-1000				
74LS157	7	D10-D12,F8,F9, G9,G11	0986-00803-9700				

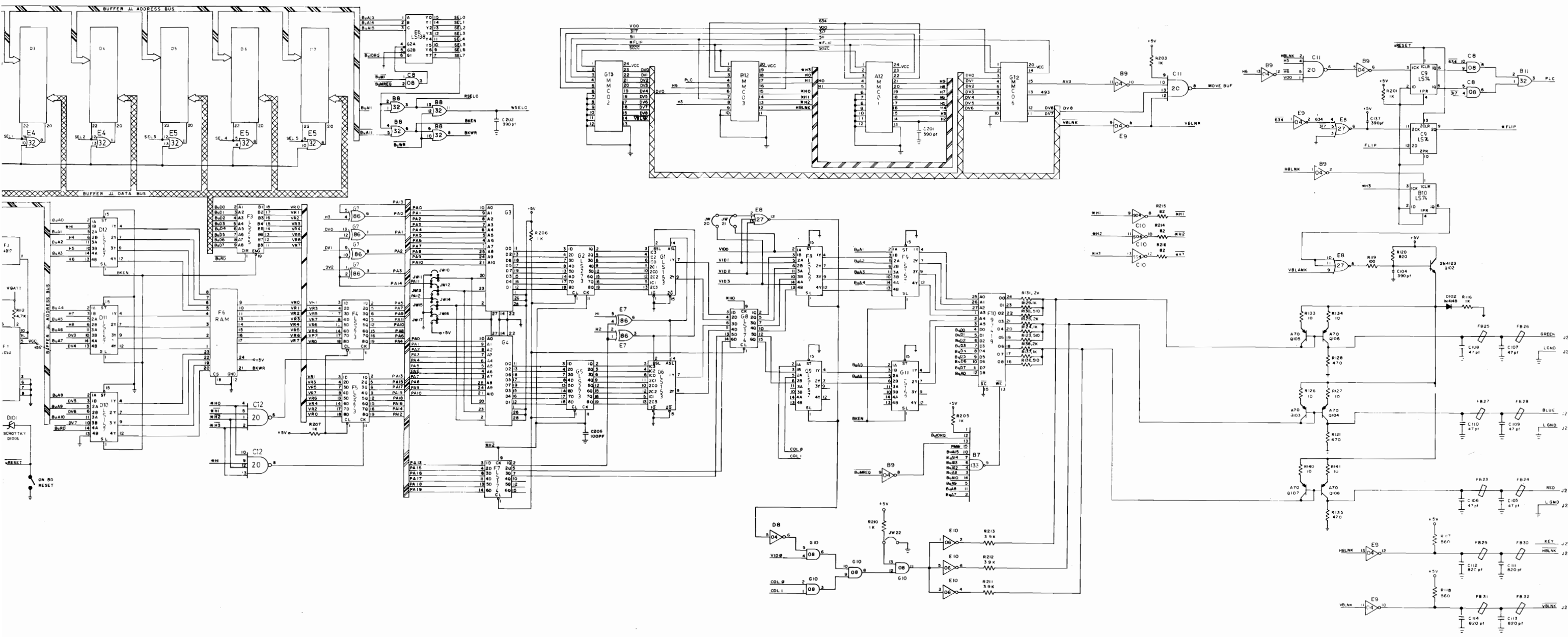
REVISIONS	

PROJECT ENG: R.PLOUSSARD		USED ON JOURNEY		Bally / MIDWAY MFG. CO. FRANKLIN PK. ILL
DO NOT SCALE DWG		HEAT TREAT	SCALE FULL	
DIM. TOLERANCES UNLESS SPECIFIED		NO. REQ'D		PART NO. MO51 - 00358 - A010
LONGITUDINAL ± .005 FRACATIONAL ± .005 DECIMAL ± .005 HOLE DIA. + .002 .000		SUPER CPU MCR III ASSY DWG A082-91475-D000		
DRN. <i>TD</i>	MAT'L.	DATE 04/28/83		
CKD. <i>Rif</i>	FINISH			



J2 PIN	TEST CONNECTOR	23	24	25	26	27	28
1	L GND	25	W0	49	W01	1	L GND
2	+5V	26	W1	50	W02	2	L GND
3	L GND	27	W2	51	W03	3	L GND
4	+5V	28	W3	52	W04	4	+5V
5	+5V	29	W4	53	W05	5	+5V
6	N.U.	30	W5	54	W06	6	N.U.
7	+12V	31	W6	55	W07	7	+12V
8	VBATT	32	W7	56	W08	8	N.U.
9	0V	33	W8	57	W09	9	N.U.
10	0V	34	N.U.	58	W10	10	N.U.
11	0V	35	FLIP	59	W11	11	0V
12	0V	36	N.U.	60	W12	12	0V
13	0V	37	JORG	61	W13	13	0V
14	0V	38	JORG	62	N.U.	14	0V
15	0V	39	JORG	63	L GND	15	0V
16	0V	40	JORG	64	RED	16	0V
17	VID0	41	W9	65	L GND	17	VID0
18	VID1	42	W10	66	GREEN	18	VID1
19	VID2	43	W11	67	L GND	19	VID2
20	VID3	44	W12	68	BLUE	20	VID3
21	MOVE BUF	45	W13	69	L GND	21	MOVE BUF
22	INTT	46	W14	70	+5V	22	INTT
23	INTT	47	W15	71	L GND	23	INTT
24	INTT	48	W16	72	+5V	24	INTT

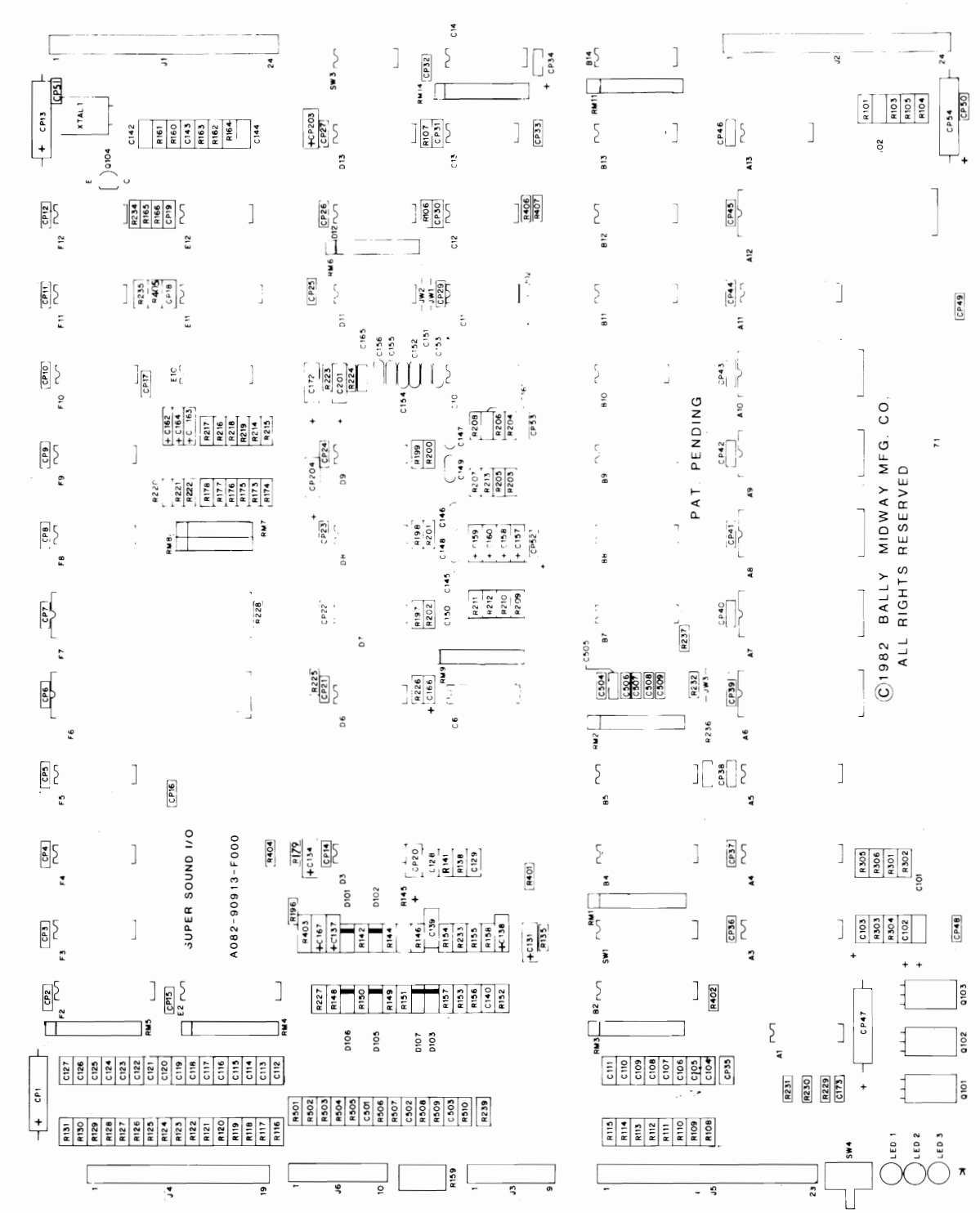
NOTES
 A: ANALOG
 E: EARTH
 L: LOGIC
 N.U.: NOT USED



PROJECT ENG. R.A. FLOUSSARD		DESIGNER JOURNEY		REVISIONS	
DATE	04/15/83	NO.	1	REV.	1 (ONE)
SUPER CPU MCR III SCHEMATIC DWG			MOSI-00304-0008		

DESIGNATION LIST

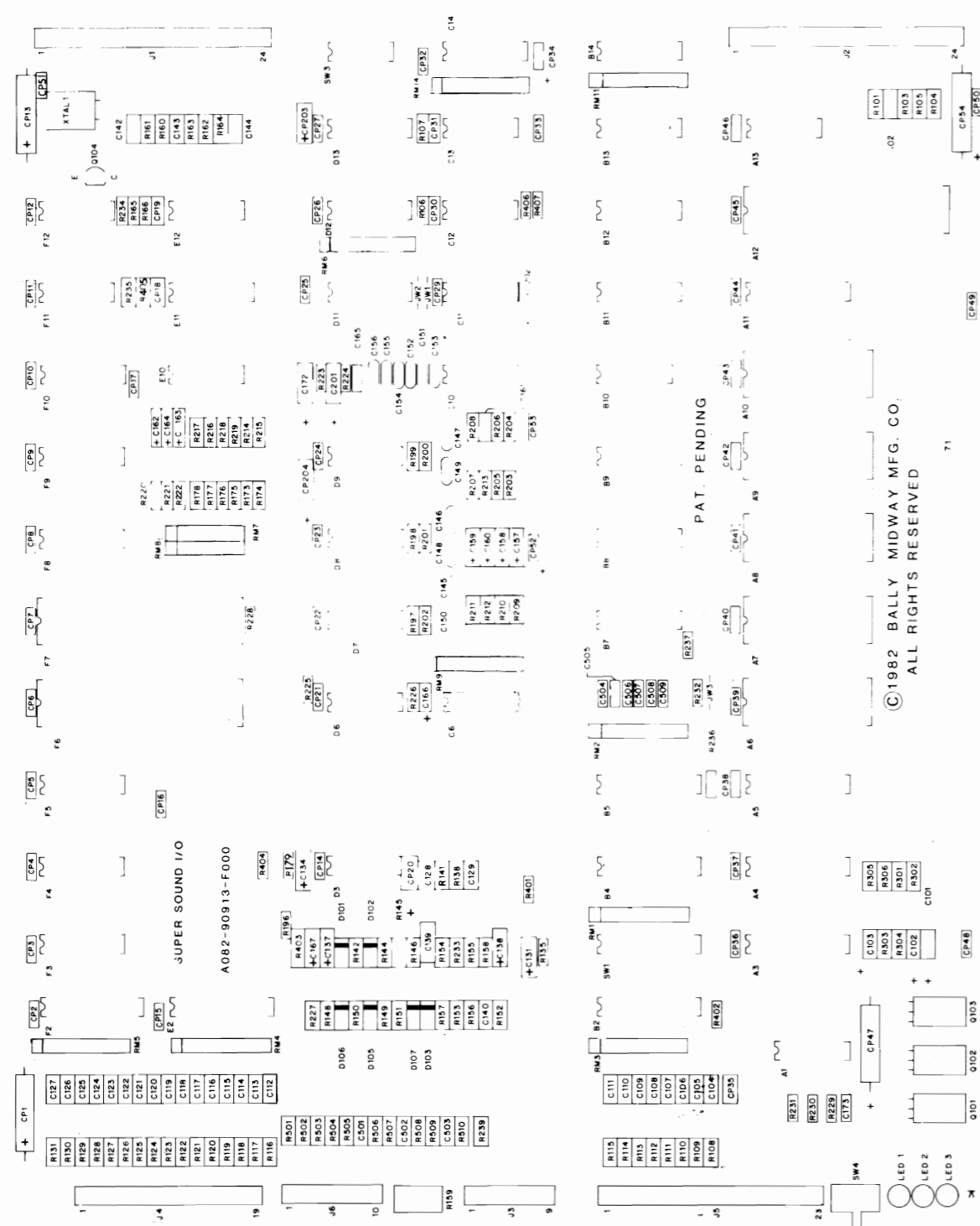
DESIGNATION NO.	DESCRIPTION	DESIGNATION NO.	DESCRIPTION	DESIGNATION NO.	DESCRIPTION
C101-C103	10 MF 25V AX. TANT.	R153	1K OHM 1/4W 5% CRBN.	D101-D103	1N4148
C104-C127	.1 MF 50V AX. CER.	R154	1MEG. OHM 1/4W 5% CRBN.	D105-D107	1N4148
C128	47 PF 50V AX. CER.	R155,R156	10K OHM 1/4W 5% CRBN.	Q101-Q103	T1P110
C131	10 MF 25V AX. TANT.	R157,R158	1.2K OHM 1/4W 5% CRBN.	Q104	2N4403
C134,C137	1 MF 20V AX. TANT.	R160,R161	330 OHM 1/4W 5% CRBN.	ICA1	7406
C138	10 MF 25V AX. TANT.	R162	220 OHM 1/4W 5% CRBN.	ICA3,A4	74LS273
C139	.047 MF 100V MYLAR	R163	1.2K OHM 1/4W 5% CRBN.	ICA5	74LS374
C140	.01 MF 50V AX. CER.	R164	22 OHM 1/4W 5% CRBN.	ICA6	1K X 8 RAM
C142	100 PF 50V AX. CER.	R165,R166	4.7K OHM 1/4W 5% CRBN.	ICA7	ROM/EPROM 0
C143	.1 MF 50V AX. CER.	R173-R178	5.6K OHM 1/4W 5% CRBN.	ICA8	ROM/EPROM 1
C144	33 PF 50V AX. CER.	R179	24K OHM 1/4W 5% CRBN.	ICA9	ROM/EPROM 2
C145-C156	.0022 MF 100V 10% MYLAR	R196	24K OHM 1/4W 5% CRBN.	IC10	ROM/EPROM 3
C157-C159	1 MF 20V AX. TANT.	R197-R202	5.6K OHM 1/4W 5% CRBN.	IC11	74LS245
C161	330 PF 50V AX. CER.	R203-R208	33K OHM 1/4W 5% CRBN.	IC12	Z-80 CPU
C162-C164	1 MF 20V AX. TANT.	R209-R211	13K OHM 1/4W 5% CRBN.	IC13	74LS08
C165	330 PF 50V AX. CER.	R213	27K OHM 1/4W 5% CRBN.	ICB2,B4,B5	74LS244
C166,C167	10 MF 25V AX. TANT.	R214-R219	33K OHM 1/4W 5% CRBN.	ICB7,B8	74LS138
C172	10 MF 25V AX. TANT.	R220-R222	13K OHM 1/4W 5% CRBN.	ICB9	74LS670
C173	.01 MF 50V AX. CER.	R224	27K OHM 1/4W 5% CRBN.	ICB10	74LS32
C501-C509	.1 MF 50V AX. CER.	R225,R226	4.7K OHM 1/4W 5% CRBN.	ICB11	74LS670
CP1	470 MF 16V AX. ELECT.	R227	1K OHM 1/4W 5% CRBN.	ICB12,B13	74LS138
CP2-CP12	.01 MF 50V AX. CER.	R228	4.7K OHM 1/4W 5% CRBN.	ICB14	74LS174
CP13	470 MF 16V AX. ELECT.	R231	300 OHM 1/4W 5% CRBN.	ICB6	7407
CP14-CP19	.01 MF 50V AX. CER.	R232	4.7K OHM 1/4W 5% CRBN.	ICB7	MC3403
CP20	10 MF 25V AX. TANT.	R233	3K OHM 1/4W 5% CRBN.	ICB8	74LS04
CP21-CP27	.01 MF 50V AX. CER.	R234,R235	4.7K OHM 1/4W 5% CRBN.	ICB9	MC14024
CP29-CP33	.01 MF 50V AX. CER.	R239	100 OHM 1/4W 5% CRBN.	ICB10	7427
CP34	10 MF 25V AX. TANT.	R301-R306	2.7K OHM 1/4W 5% CRBN.	ICB11	74LS367
CP35-CP46	.01 MF 50V AX. CER.	R401	1K OHM 1/4W 5% CRBN.	ICD3	LM3900
CP47	470 MF 16V AX. ELECT.	R402	4.7K OHM 1/4W 5% CRBN.	ICD6	74LS02
CP48-CP51	.01 MF 50V AX. CER.	R403,R404	33K OHM 1/4W 5% CRBN.	ICD7-D9	MC14016
CP52,CP53	10 MF 25V AX. TANT.	R405-R407	4.7K OHM 1/4W 5% CRBN.	ICD11	74190
CP54	470 MF 16V AX. ELECT.	R501-R509	220 OHM 1/4W 5% CRBN.	ICD12	PROMSB2A
CP202-CP204	10 MF 25V AX. TANT.	R510	2.7K OHM 1/4W 5% CRBN.	ICD13	74166
R101-R107	4.7K OHM 1/4W 5% CRBN.	RM1	4.7K OHM 10 PIN S.I.P.	ICE2	74LS244
R108-R131	220 OHM 1/4W 5% CRBN.	RM2-RM5	2.7K OHM 10 PIN S.I.P.	ICE10	MC3403
R135	33K OHM 1/4W 5% CRBN.	RM7	4.7K OHM 8 PIN S.I.P.	ICE11	74161
R138,R141	180K OHM 1/4W 5% CRBN.	RM8	820 OHM 8 PIN S.I.P.	ICE12	74126
R142	100K OHM 1/4W 5% CRBN.	RM9	1.8K OHM 10 PIN S.I.P.	ICF2	74LS244
R144,R145	620K OHM 1/4W 5% CRBN.	RM14	4.7K OHM 10 PIN S.I.P.	ICF3-F5	74LS191
R146	10K OHM 1/4W 5% CRBN.			ICF6,F7	AY-3-8910
R148	100K OHM 1/4W 5% CRBN.			ICF8-F10	74LS191
R149,R150	620K OHM 1/4W 5% CRBN.			ICF11	7474
R151	10K OHM 1/4W 5% CRBN.			ICF12	74S04
R152	1MEG. OHM 1/4W 5% CRBN.			ICSA6-ICSA10	24 PIN IC SOCKET



DESIGNATION NO.	DESCRIPTION
D101-D103	1N4148
D105-D107	1N4148
Q101-Q103	T1P110
Q104	2N4403
ICA1	7406
ICA3,A4	74LS273
ICA5	74LS374
ICA6	1K X 8 RAM
ICA7	ROM/EPROM 0
ICA8	ROM/EPROM 1
ICA9	ROM/EPROM 2
IC10	ROM/EPROM 3
IC11	74LS245
IC12	Z-80 CPU
IC13	74LS08
ICB2,B4,B5	74LS244
ICB7,B8	74LS138
ICB9	74LS670
ICB10	74LS32
ICB11	74LS670
ICB12,B13	74LS138
ICB14	74LS174
ICB6	7407
ICB7	MC3403
ICB8	74LS04
ICB9	MC14024
ICB10	7427
ICB11	74LS367
ICD3	LM3900
ICD6	74LS02
ICD7-D9	MC14016
ICD11	74190
ICD12	PROMSB2A
ICD13	74166
ICE2	74LS244
ICE10	MC3403
ICE11	74161
ICE12	74126
ICF2	74LS244
ICF3-F5	74LS191
ICF6,F7	AY-3-8910
ICF8-F10	74LS191
ICF11	7474
ICF12	74S04
ICSA6-ICSA10	24 PIN IC SOCKET
ICSA12	40 PIN IC SOCKET
ICSD12	16 PIN IC SOCKET
ICSF6,F7	40 PIN IC SOCKET
J1,J2	24 PIN KK100 RT. ANGLE
J3	9 PIN KK100 RT. ANGLE OMIT 4
J4	19 PIN KK100 RT. ANGLE OMIT 14
J5	23 PIN KK100 RT. ANGLE OMIT 19
J6	10 PIN KK100 RT. ANGLE OMIT 8
JW1,JW2	JUMPER WIRE
LED 3	YELLOW LED
SW1	10 POSITION DIP
SW3	8 POSITION DIP
SW4	PUSHBUTTON S.W.
XTAL 1	16 MHZ XTAL
MHQ101-MHQ103	SNAP
A080-90913-F000	SUPER SND. I/O BD.

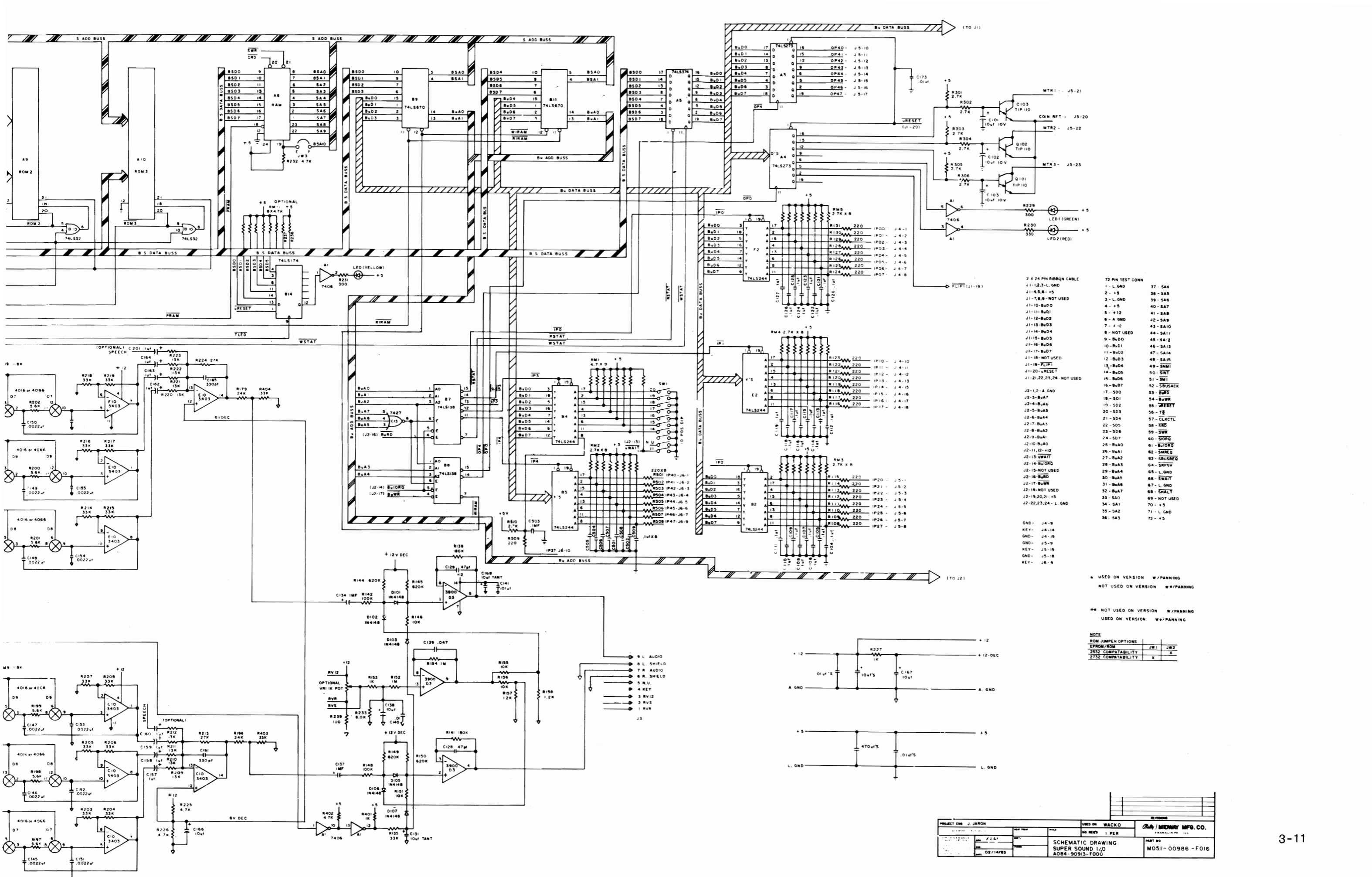
CROSS REFERENCE LIST

ON
M
0
1
2
3
SOCKET
SOCKET
SOCKET
SOCKET
100 RT.
00 RT.
T 4
100 RT.
T 14
100 RT.
T 19
100 RT.
T 8
RE
D
ON DIP
N DIP
N S.W.
AL
I/O BD.



DESCRIPTION	QTY	DESIGNATION NO.	PART NOS.	DESCRIPTION	QTY	DESIGNATION NO.	PART NOS.
33 PF 50V 5% AX. CER.	1	C144	0986-00800-0900	1N4148	6	D101-D103, D105-D107	0986-00801-0200
47 PF 50V AX. CER.	1	C128	0986-00800-2800	2N4403	1	Q104	0986-00802-0500
100 PF 50V 5% AX. CER.	1	C142	0986-00800-1000	T1P110	3	Q101-Q103	0986-00802-0400
330 PF 50V AX. CER.	2	C161, C165	0986-00800-1300	74LS02	1	ICD6	0986-00803-7400
.0022 MF 100V 10% MYLAR	12	C145-C156	0986-00800-1200	74LS04	1	ICC11	0986-00803-6900
.047 MF 100V MYLAR	1	C139	0986-00800-2600	74S04	1	ICF12	0986-00803-6600
.01 MF 50V AX. CER.	47	CP2-CP12, CP14-CP19, CP21-CP27, CP29-CP33, CP35-CP46, CP48-CP51, C140, C173	0986-00800-2000	7406	1	ICA1	0986-00803-7600
.1 MF 50V AX. CER.	34	C104-C127, C143, C501-C509	0986-00800-1100	7407	1	ICC6	0986-00803-5900
1 MF 20V AX. TANT.	8	C134, C137, C157-C159, C162-C164	0986-00800-1400	74LS08	1	ICA13	0986-00803-7300
10 MF 25V AX. TANT.	14	CP20, CP34, CP52, CP53, CP202-CP204, C101-C103, C131, C138, C166, C167, C172	0986-00800-0700	7427	1	ICC13	0986-00803-7200
470 MF 16V AX. ELECT.	4	CP1, CP13, CP47, CP54	0986-00800-2700	74LS32	1	ICB10	0986-00803-6100
22 OHM 1/4W 5% CRBN.	1	R164	0062-06383-1XXX	7474	1	ICF11	0986-00803-6700
100 OHM 1/4W 5% CRBN.	1	R239	0062-11083-1XXX	74126	1	ICE12	0986-00803-6800
220 OHM 1/4W 5% CRBN.	34	R108-R131, R162, R501-R509	0062-13383-1XXX	74LS138	4	ICB7, B8, B12, B13	0986-00803-6500
300 OHM 1/4W 5% CRBN.	1	R231	0062-14183-1XXX	74161	1	ICE11	0986-00803-5100
330 OHM 1/4W 5% CRBN.	2	R160, R161	0062-14483-1XXX	74166	1	ICD13	0986-00803-5300
1K OHM 1/4W 5% CRBN.	3	R153, R227, R401	0062-17983-1XXX	74LS174	1	ICB14	0986-00803-7500
1.2K OHM 1/4W 5% CRBN.	3	R157, R158, R163	0062-18383-1XXX	74190	1	ICD11	0986-00803-9400
2.7K OHM 1/4W 5% CRBN.	7	R301-R306, R510	0062-19983-1XXX	74LS191	6	ICF3-F5, F8-F10	0986-00803-5600
3K OHM 1/4W 5% CRBN.	1	R233	0062-20183-1XXX	74LS244	5	ICB2, B4, B5, E2, F2	0986-00803-4800
4.7K OHM 1/4W 5% CRBN.	19	R101-R107, R165, R166, R225, R226, R228, R232, R234, R235, R402, R405-R407	0062-21183-1XXX	74LS245	1	ICA11	0986-00803-6400
5.6K OHM 1/4W 5% CRBN.	12	R173-R178, R197-R202	0062-21583-1XXX	74LS273	2	ICA3, A4	0986-00803-4700
10K OHM 1/4W 5% CRBN.	4	R146, R151, R155, R156	0062-22783-1XXX	74LS367	1	ICC14	0986-00803-7000
13K OHM 1/4W 5% CRBN.	6	R209-R211, R220-R222	0062-23383-1XXX	74LS374	1	ICA5	0986-00803-4600
24K OHM 1/4W 5% CRBN.	2	R179, R196	0062-24583-1XXX	74LS670	2	ICB9, B11	0986-00803-6300
27K OHM 1/4W 5% CRBN.	2	R213, R224	0062-24783-1XXX	AY-3-8910	2	ICF6, F7	0986-00803-8500
100K OHM 1/4W 5% CRBN.	2	R142, R148	0062-27583-1XXX	LM3900	1	ICD3	0986-00803-4900
180K OHM 1/4W 5% CRBN.	2	R138, R141	0062-28783-1XXX	MC3403	2	ICC10, E10	0986-00803-5000
620K OHM 1/4W 5% CRBN.	4	R144, R145, R149, R150	0062-31383-1XXX	MC14016	3	ICD7-D9	0986-00803-6200
1 MEG. OHM 1/4W 5% CRBN.	2	R152, R154	0062-32383-1XXX	MC14024	1	ICC12	0986-00803-7100
820 OHM 8 PIN S.I.P.	1	RM8	0986-00805-0800	PROMSB2-A	1	ICD12	0986-00803-8200
1.8K OHM 10 PIN S.I.P.	1	RM9	0986-00805-0600	RAM 1K X 8	1	ICA6	0986-00803-8000
2.7K OHM 10 PIN S.I.P.	4	RM2-RM5	0986-00805-0500	ROM/EPROM 0	1	ICA7	
4.7K OHM 8 PIN S.I.P.	1	RM7	0986-00805-0400	ROM/EPROM 1	1	ICA8	EPROM/ROM
4.7K OHM 10 PIN S.I.P.	2	RM1, RM14	0986-00805-0300	ROM/EPROM 2	1	ICA9	OPTIONS KIT
				ROM/EPROM 3	1	ICA10	
				Z-80(3880)	1	ICA12	0986-00803-5500
				16 PIN IC SOCKET	1	ICSD12	0986-00804-1400
				24 PIN IC SOCKET	5	ICSA6-ICSA10	0986-00804-1600
				40 PIN IC SOCKET	3	ICSA12, ICSF6, ICSF7	0986-00804-1500
				9 PIN KK 100 RT. ANGLE OMIT 4	1	J3	3000-16366-0901
				10 PIN KK 100 RT. ANGLE OMIT 8	1	J6	3000-16366-1001
				19 PIN KK 100 RT. ANGLE OMIT 14	1	J4	3000-16366-1901
				23 PIN KK 100 RT. ANGLE OMIT 19	1	J5	3000-16366-2301
				24 PIN KK 100 RT. ANGLE	2	J1, J2	0986-00804-4700
				JUMPER WIRE	2	JW1, JW2	0986-00804-4000
				YELLOW LED	1	LED 3	0986-00804-2000
				8 POSITION DIP SW.	1	SW3	0986-00805-0900
				10 POSITION DIP SW.	1	SW1	0986-00805-1000
				PB SWITCH	1	SW4	0986-00804-1700
				16 MHZ XTAL W/3RD LEAD	1	XTAL 1	0986-00805-1100
				SNAPS	3	MHQ101-MHQ103	0017-00007-0134
				SUPER SND. I/O BD.	1		A080-90913-F000

PROJECT ENG: C. MEDNICK		USED ON JOURNEY		REVISIONS	
DO NOT SCALE DWG		HEAT TREAT	SCALE	FULL	
DIM TOLERANCES UNLESS SPECIFIED		NO. REQ'D	PER		
DRN	FIN	SUPER SOUND I/O BD. ASSEMBLY DWG.		PART NO. M051-00358-A012	
DATE	05/05/83	A082-90913-F000		FRANKLIN PK ILL	



- 2 X 24 PIN RIBBON CABLE
- J1-1,2,3-L GND
 - J1-4,5,6- +5
 - J1-7,8,9- NOT USED
 - J1-10-BuDO
 - J1-11-BuD1
 - J1-12-BuD2
 - J1-13-BuD3
 - J1-14-BuD4
 - J1-15-BuD5
 - J1-16-BuD6
 - J1-17-BuD7
 - J1-18- NOT USED
 - J1-19-FLIP1
 - J1-20-vRESET
 - J1-21,22,23,24- NOT USED
- 72 PIN TEST CONN
- 1- L GND
 - 2- +5
 - 3- L GND
 - 4- +5
 - 5- +12
 - 6- A GND
 - 7- +12
 - 8- NOT USED
 - 9- BuDO
 - 10- BuD1
 - 11- BuD2
 - 12- BuD3
 - 13- BuD4
 - 14- BuD5
 - 15- BuD6
 - 16- BuD7
 - 17- SDO
 - 18- SDI
 - 19- S02
 - 20- S03
 - 21- S04
 - 22- S05
 - 23- S06
 - 24- S07
 - 25- BuAO
 - 26- BuA1
 - 27- BuA2
 - 28- BuA3
 - 29- BuA4
 - 30- BuA5
 - 31- BuA6
 - 32- BuA7
 - 33- SA0
 - 34- SA1
 - 35- SA2
 - 36- SA3
 - 37- SA4
 - 38- SA5
 - 39- SA6
 - 40- SA7
 - 41- SAB
 - 42- SA9
 - 43- SA10
 - 44- SA11
 - 45- SA12
 - 46- SA13
 - 47- SA14
 - 48- SA15
 - 49- SW1
 - 50- SW2
 - 51- SW1
 - 52- SBUSACK
 - 53- BuRD
 - 54- BuWR
 - 55- vRESET
 - 56- TE
 - 57- CLKCTL
 - 58- SDC
 - 59- SWR
 - 60- SWRG
 - 61- BuTORG
 - 62- SWREQ
 - 63- SBUSREQ
 - 64- SRF5H
 - 65- L GND
 - 66- SWAIT
 - 67- L GND
 - 68- SWALT
 - 69- NOT USED
 - 70- +5
 - 71- L GND
 - 72- +5

W USED ON VERSION W/PANNING
 NOT USED ON VERSION W/PANNING

** NOT USED ON VERSION W/PANNING
 USED ON VERSION W/PANNING

NOTE

ROM JUMPER OPTIONS	JW1	JW2
EPROM/ROM		X
2532 COMPATIBILITY		X
2732 COMPATIBILITY		X

PROJECT ENG. J. JARON	DESIGNER	DATE	REVISED	BY
NO. 1	J. JARON	02/14/83	NO. 1	J. JARON
SCHEMATIC DRAWING			PART NO.	
SUPER SOUND 1/2			MO51-00986-F016	
A084-90913-F000			MIDWAY MFG. CO.	

DESIGNATION LIST

DESIGNATION * DESCRIPTION

R117	560ohm 1/4W 5%
R118	150ohm 2W
R201	270ohm 1/4W 5%
R202	1.2K 1/4W 5%
R203	1.1M 1/4W 5%
R204	3.3M 1/4W 5%
R205	10M 1/4W 5%
R206	100K 1/4W 5%
R207	33K 1/4W 5%
R208	2M 1/4W 5%
R209	1M 1/4W 5%
R210	1.2M 1/4W 5%
R211	75K 1/4W 5%
R212	75K 1/4W 5%
R213	220K 1/4W 5%
R214	3.9K 1/4W 5%
R215	1.2K 1/4W 5%
R216	82ohm 1W 10%
R217	270ohm 1/4W 5%
R218	110K 1/4W 5%
R219	68ohm 1/2W 5%

VR101,102 100ohm POT

D101	A15F
D102	A15F
D103	A15F
D104	A15F
D105	A15F
D106	1N4001
D201	1N4148
D202	1N4148
D203	1N4148
D204	1N4001
D205	1N4001

Q102	2N2905
Q105	2N2905
Q201	2N4401

U1	LM305 REG
U2	LM305 REG
U3	LM3900
U4	4N28
U6	555

L101 22uH INDUCTOR

B101 BATTERY 3.6VDC 60DEG C

F1 3 RA S BLO FUSE

FC1A,1B FUSE CLIP

FB1,2 FERRITE BEAD

TW1 TIE WRAP

J3	9PIN P.C. MOUNT CONN (MALE)
J4	15PIN P.C. MOUNT CONN (FEMALE)
J5	15PIN P.C. MOUNT CONN (MALE)
J6	3PIN P.C. MOUNT CONN (MALE)

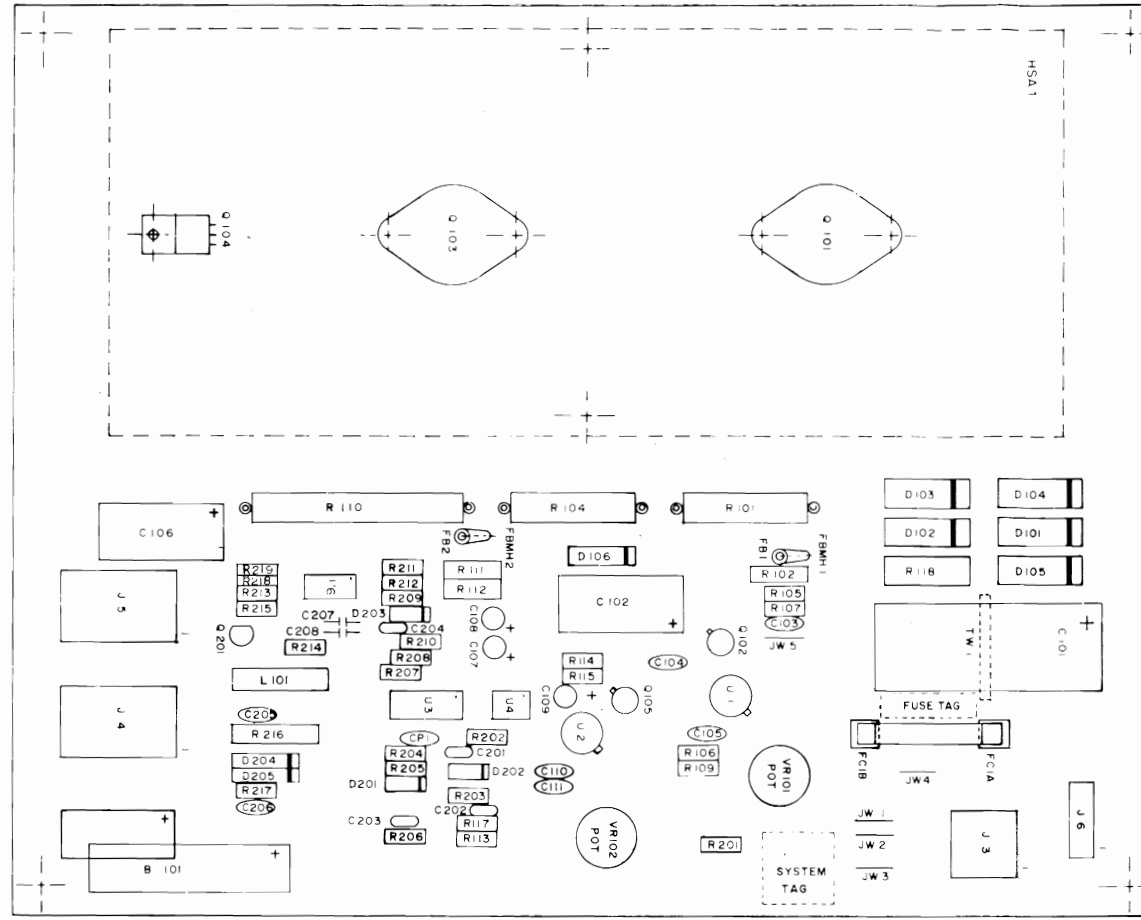
LB1 FUSE TAG
LB2 SYSTEM TAG

HSA1 HEAT SINK ASS'Y 1

MHSA1 MOUNTING HARD WARE (HEAT SINK)
2 SCREW
4 WASHER
2 HEXNUT

JW1-5 JUMPER WIRE

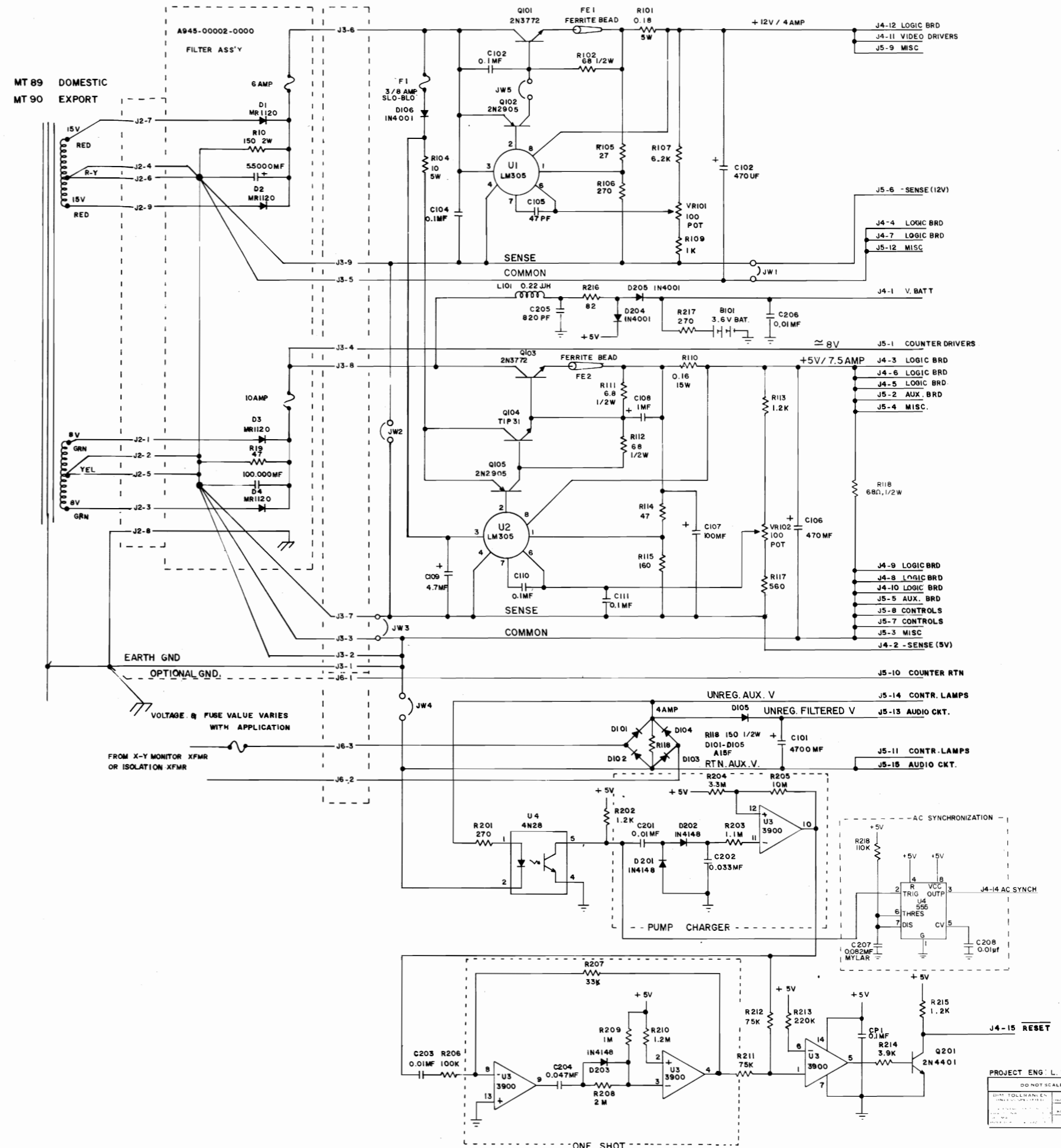
FBMH1,2 FERRITE BEAD MOUNTING HARDWARE



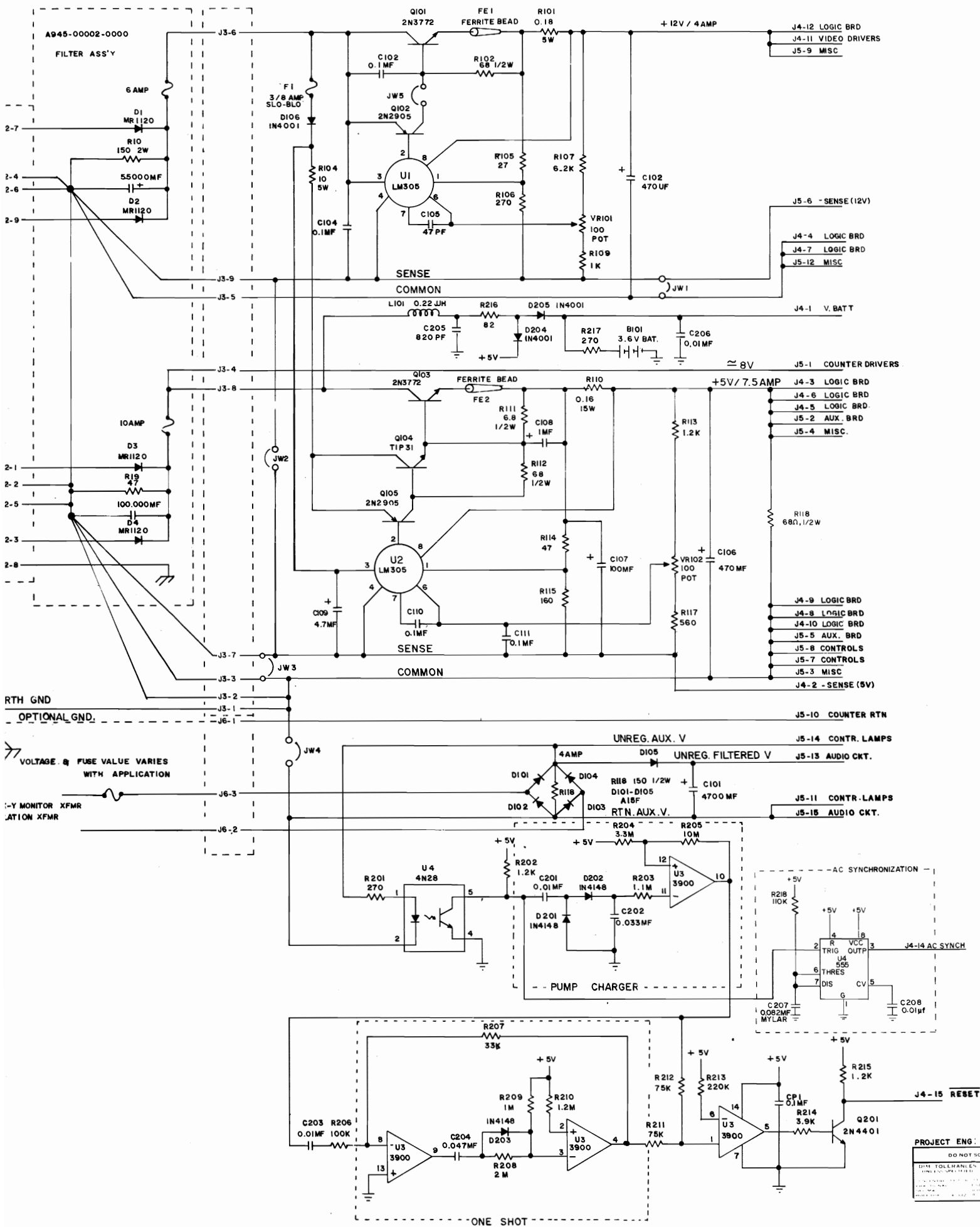
PROJ. ENG: L. DEKKER		MIDWAY MFG. CO.	
DO NOT SCALE DWG	DATE: 5/14/82	FULL NO. PER: 1 PER.	FRANKLIN PK ILL
ASSEMBLY DRAWING I25VAPWRSPY		A082-90412-D000	
5/14/82		M051-00945-D006	

CROSS REFERENCE LIST

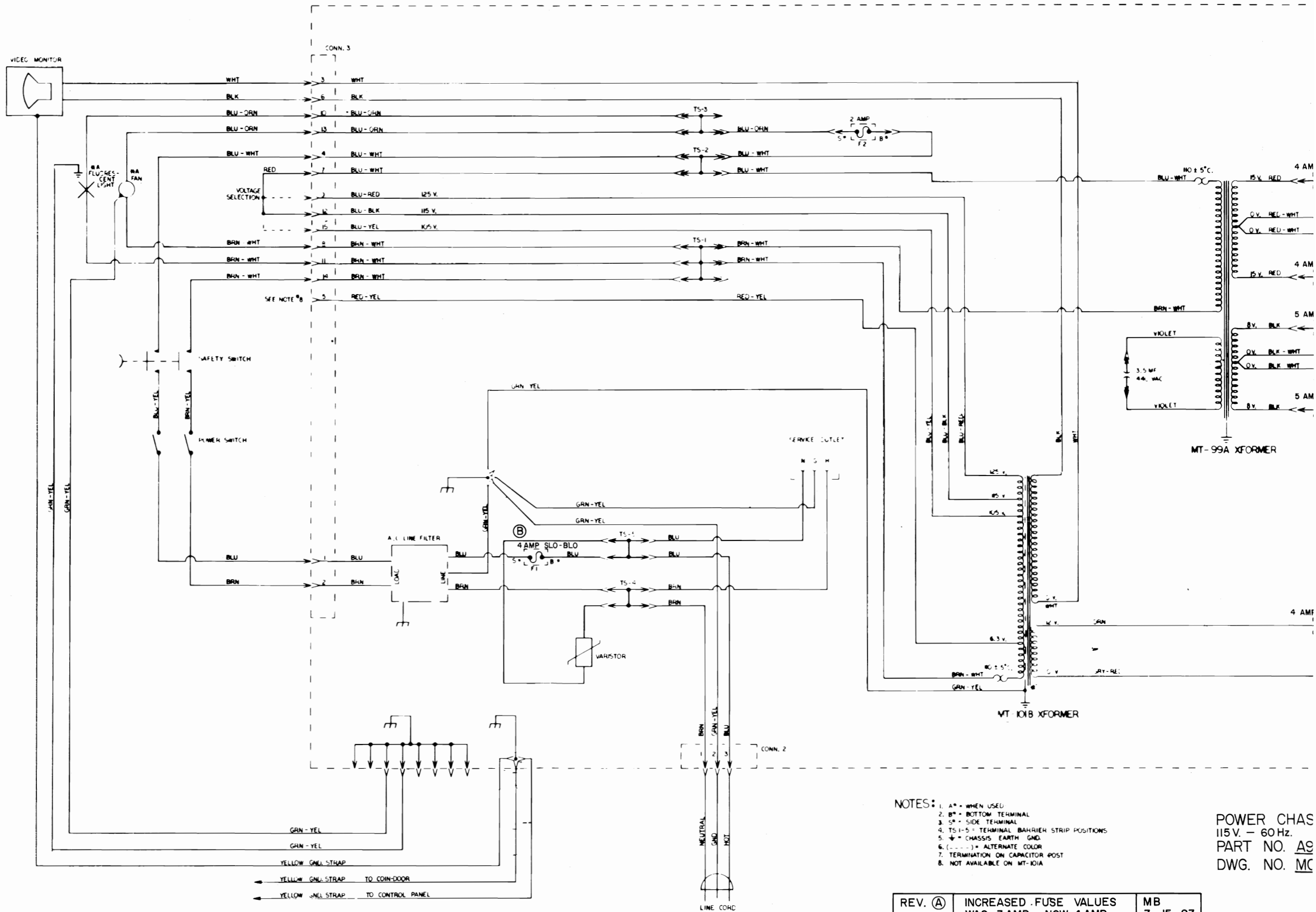
DESCRIPTION	Qty	DESIGNATION *	PART *
47pf AX. CER.	1	C105	0945-00811-0100
820pf AX. CER.	1	C205	0945-00816-0400
01uf AX. CER.	2	C206,208	0945-00816-0100
01uf MYLAR	2	C201,203	0945-00816-0200
033uf MYLAR	1	C202	0945-00816-0500
047uf MYLAR	1	C204	0945-00816-0300
0.082uf AX CER	1	C207	0945-00816-1900
1uf AX CER	5	C103,104,110,111, CP1	0945-00811-0200
1uf RAD TANT	1	C108	0945-00811-0300
4.7uf RAD. TANT	1	C109	0945-00811-0400
100uf RAD. TANT	1	C107	0945-00811-0500
470uf AX. ELECT.	2	C102,106	0945-00816-0600
470uf AX. ELECT.	1	C101	0945-00811-0700
.16ohm 15W 5%	1	R110	0945-00815-0100
.18ohm 5W 5%	1	R101	0945-00815-0200
6.8ohm 1/2W 5%	1	R111	0062-04703-1XXX
10ohm 5W 5%	1	R104	0945-00812-0100
27ohm 1/4W 5%	1	R105	0062-068B3-1XXX
47ohm 1/4W 5%	1	R114	0062-086B3-1XXX
68ohm 1/2W 5%	3	R102,112,219	0062-098D3-1XXX
82ohm 1W 10%	1	R216	0062-104F5-1XXX
150ohm 2W 5%	1	R118	0945-00812-0200
160ohm 1/4W 5%	1	R115	0062-124B3-1XXX
270ohm 1/4W 5%	3	R106,201,217	0062-138B3-1XXX
560ohm 1/4W 5%	1	R117	0062-162B3-1XXX
1K 1/4W 5%	1	R109	0062-179B3-1XXX
1.2K 1/4W 5%	3	R113,202,215	0062-183B3-1XXX
3.9K 1/4W 5%	1	R214	0062-207B3-1XXX
6.2K 1/4W 5%	1	R107	0062-217B3-1XXX
33K 1/4W 5%	1	R207	0062-251B3-1XXX
75K 1/4W 5%	2	R211,212	0062-269B3-1XXX
100K 1/4W 5%	1	R206	0062-275B3-1XXX
110K 1/4W 5%	1	R218	0062-277B3-1XXX
220K 1/4W 5%	1	R213	0062-291B3-1XXX
1M 1/4W 5%	1	R209	0062-323B3-1XXX
1.1M 1/4W 5%	1	R203	0062-325B3-1XXX
1.2M 1/4W 5%	1	R210	0062-327B3-1XXX
2M 1/4W 5%	1	R208	0062-337B3-1XXX
3.3M 1/4W 5%	1	R204	0062-347B3-1XXX
10M 1/4W 5%	1	R205	0062-371B3-1XXX
100ohm POT	2	VR101,102	0945-00814-0000
LM305 REG	2	U1,2	0945-00813-0100
555	1	U6	0929-00810-4500
LM3900	1	U3	0945-00813-0200
4N28	1	U4	0945-00813-0300
A15F RECTIFIER	5	D101-105	0945-00804-0200
1N4001	3	D106,204,205	0945-00804-0300
1N4148	3	D201-203	0945-00804-0500
2N2905	2	Q102,105	0945-00808-0300
2N4401	1	Q201	0945-00804-0400
BATTERY 3.6VDC 60DEG-C	1	B101	0017-00003-0377
FUSE 3/8A S-BLO	1	F1	0945-00808-0400
FUSE CLIP	2	FC1A,1B	0017-00003-0214
TIE WRAP	1	TW1	0945-00814-0300
FERRITE BEAD	2	FB1,2	0017-00009-0225
FERRITE MOUNTING HDW	2	FBMH1,2	0017-00033-0139
22uH INDUCTOR	1	L101	0945-00814-0200
FUSE TAG	1	LB1	M051-00945-A004
SYSTEM TAG	1	LB2	M051-00945-A009
P.C.B.	1		A080-90412-U000
HEAT SINK ASS'Y	1	HSA1	A945-00008-0000
(SEE HS ASS'Y DRAWING "X" NOTE")			
4-40 X 10 SLT RND	2	MHSA1A,2A	0017-00101-00727
4-40 HEX NUT	2	MHSA1E,2E	0017-00103-0002
WSH 4-120-.250-018	4	MHSA1B,1D	0017-00104-0071
3PIN P.C. MOUNT CONN. (MALE)	1	J6	0017-00021-0443
9PIN P.C. MOUNT CONN. (MALE)	1	J3	0017-00021-0425
15PIN P.C. MOUNT CONN. (FEMALE)	1	J4	0017-00021-0441
15PIN P.C. MOUNT CONN. (MALE)	1	J5	0017-00021-0440
22AWG T & R BARE 2.5"	5	JW1-5	0151-00087-0000



PROJECT ENG. L. DI
 DO NOT SCALE
 DIM. TOLERANCES
 UNLESS OTHERWISE SPECIFIED



PROJECT ENG. L. DEKKER		DATE: 5/3/82		MIDWAY MFG. CO.	
DO NOT SCALE DRG.		FULL		PART NO. FRANKLIN PK. ILL.	
DATE TOLERANCES: NONE SPECIFIED		MATERIAL: 5/3/82		POWER SUPPLY 125VA W/CKT SUPPORT A082-90412-0000	
PART NO. M051-00945-D007		FRANKLIN PK. ILL.		PART NO. M051-00945-D007	



- NOTES:
1. A* - WHEN USED
 2. B* - BOTTOM TERMINAL
 3. S* - SIDE TERMINAL
 4. TS-1-5 - TERMINAL BARRIER STRIP POSITIONS
 5. + - CHASSIS EARTH GND.
 6. (---) - ALTERNATE COLOR
 7. TERMINATION ON CAPACITOR POST
 8. NOT AVAILABLE ON MT-101A

POWER CHAS
 115V. - 60Hz.
 PART NO. A9
 DWG. NO. MC

REV. (A)	INCREASED FUSE VALUES WAS 3 AMP - NOW 4 AMP ADDED PART NO. (U.L.)	MB 3-15-83
REV. (B)	INCREASED FUSE VALUE WAS 3 AMP - NOW 4 AMP	MB 3-24-83

JOURNEY	
OPTION SWITCH SETTINGS	
SWITCH NO. 1 - AT B 3 - LOCATED ON SOUND I/O P.C. BOARD	
DURING GAME PLAY:	SW#1 SW#2 SW#3 SW#4 SW#5 SW#6 SW#7 SW#8 SW#9 SW#10
	NOT NOT NOT NOT NOT USEDUSEDUSEDUSEDUSED
1 COIN METER ** 2 COIN METERS	ON OFF
UPRIGHT/MINI COCKTAIL TABLE	ON OFF
** GAME MAY BE CONTINUED FOR ADDITIONAL COINS	ON
GAME MAY NOT BE CONTINUED	OFF
FREEZE VIDEO ** NORMAL OPERATION	ON OFF
SWITCH NO. 3 - AT D 14 - LOCATED ON SOUND I/O P.C. BOARD	
** NORMAL OPERATION SOUND I/O DIAGNOSTIC MODE	SW#1 SW#2 SW#3 SW#4 OFF ON
** NORMAL OPERATION RAM/ROM TEST INDICATES TEST RESULTS VIA YELLOW LED ON SOUND I/O BOARD: FAST FLASH = BAD ROM SLOW FLASH = BAD RAM	OFF ON
** NORMAL OPERATION OSCILLATOR TEST	OFF ON
** NORMAL OPERATION FILTER TEST	OFF ON
* NO EFFECT IF SW#1 OF SWITCH NO. 3 IS IN THE "OFF" POSITION. ** FACTORY RECOMMENDED SETTINGS.	
PART NO. M051-00358-A007	

THE REMAINDER OF YOUR NEW GAME'S MOST COMMON OPTION SETTINGS ARE CONDUCTED DURING THE **MACHINE SETUP** PORTION OF THE SELF-TEST MODE AND WILL BE COVERED IN DETAIL IN THAT SECTION OF YOUR MANUAL.

