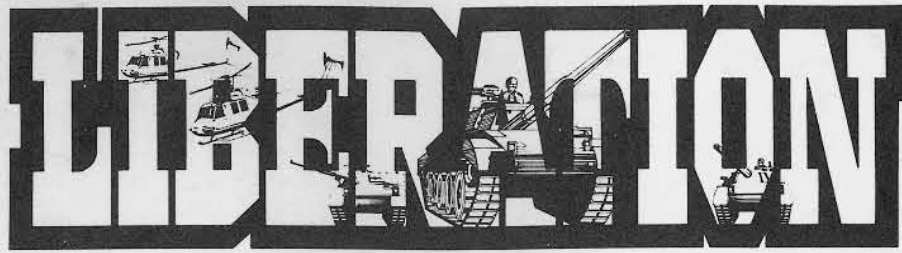


# LIBERATION



## INSTRUCTIONS



**DATA EAST CORPORATION**

4-41-10, MINAMI-OGIKUBO, SUGINAMI-KU, TOKYO "167"  
PHONE(03)331-5441 FAX(03)335-3741 TELEX2322124 "DATA J"

WALKER

RESTAURANTS

WALKER RESTAURANTS CORPORATION  
1000 WALKER RESTAURANTS CORPORATION  
1000 WALKER RESTAURANTS CORPORATION

Your mission:

Destroy all prisoner camps and liberate the prisoners.

Shoot down enemy fighters and land your chopper at the heliport.

After landing, use the tank or jeep to search out prisoner camps.

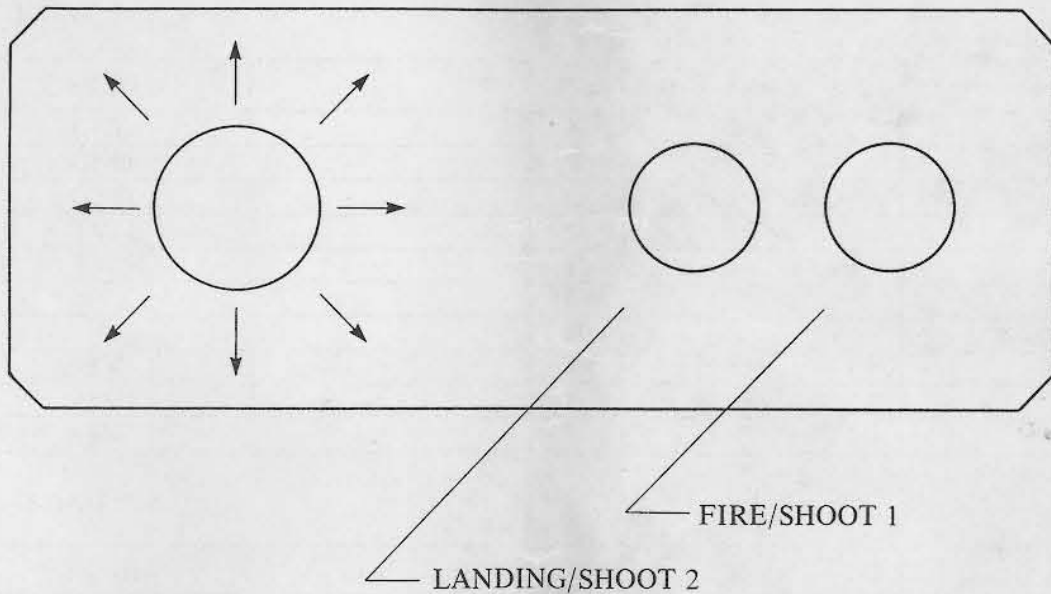
Gun down armored vehicles and use their guns.

Use 8-way joystick for control.

Use red button to shoot.

Use blue button for landing.

### JOYSTICK CONTROL DIRECTIONS



R

... of ...  
... of ...  
... of ...  
... of ...

... of ...  
... of ...  
... of ...

... of ...

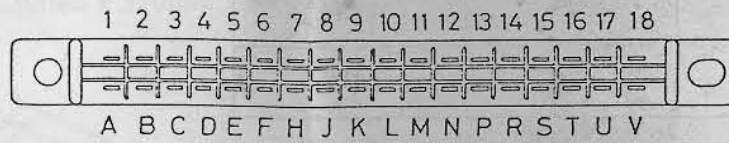


... of ...

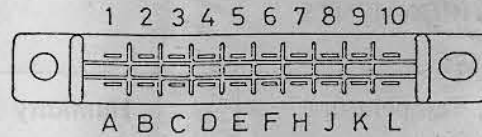
... of ...

# 1. HARNESS CONNECTION

## 1) Terminal Numbering CR7E-36DA-3.96E (HIROSE) 3.96mm Pitch



## CR7E-20DA-3.96E (HIROSE) 3.96mm Pitch



## 2) Signal to Terminal

### CR7E-20DA-3.96E

Pin	Signal	Pin	Signal
1	GND	A	GND
2	GND	B	GND
3	GND	C	TV. GND
4	TV. B	D	SYNC.
5	TV. R	E	TV. G
6		F	
7		H	
8	+5V	J	+5V
9	+5V	K	+5V
10	+5V	L	+5V

### CR7E-36DA-3.96E

Pin	Signal	Pin	Signal
1	+12V	A	+12V
2	+5V	B	+5V
3	+5V	C	+5V
4	+5V	D	+5V
5		E	
6	COIN 1	F	COIN 2
7	TILT SW.	H	SERVICE
8	1P	J	2P
9	1P SHOOT 2	K	2P SHOOT 2
10	1P SHOOT 1	L	2P SHOOT 1
11	1P DOWN	M	2P DOWN
12	1P UP	N	2P UP
13	1P LEFT	P	2P LEFT
14	1P RIGHT	R	2P RIGHT
15	SPEAKER +	S	SPEAKER -
16	GND	T	GND
17	GND	U	GND
18	GND	V	GND

## 2. POWER SUPPLY

+5V	±2%	4.0A
+12V	±2%	1.0A

## 3. OPERATION ENVIRONMENTS

	Temperature	Humidity
Operation	5 ~ 35° C	20 ~ 80%
Storage	-15 ~ 65° C	10 ~ 90%

## 4. CRT MONITOR

### (1) Color Signals R.G.B. Separate

Black	0 - +2V
Image Signal	+2.5 V +4V

### (2) Synchronize Signal Composite or Horiz/Vert separated.

0	0 - 0.5V
1	+3V - +5V

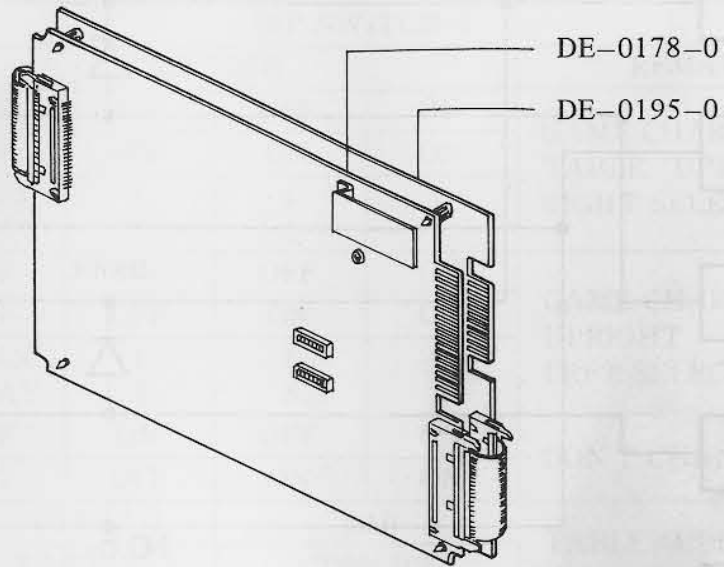
### (3) Screen Image Size

Image can be shrunk both horizontally and vertically by 10%. Adjust monitor to widen the screen image.

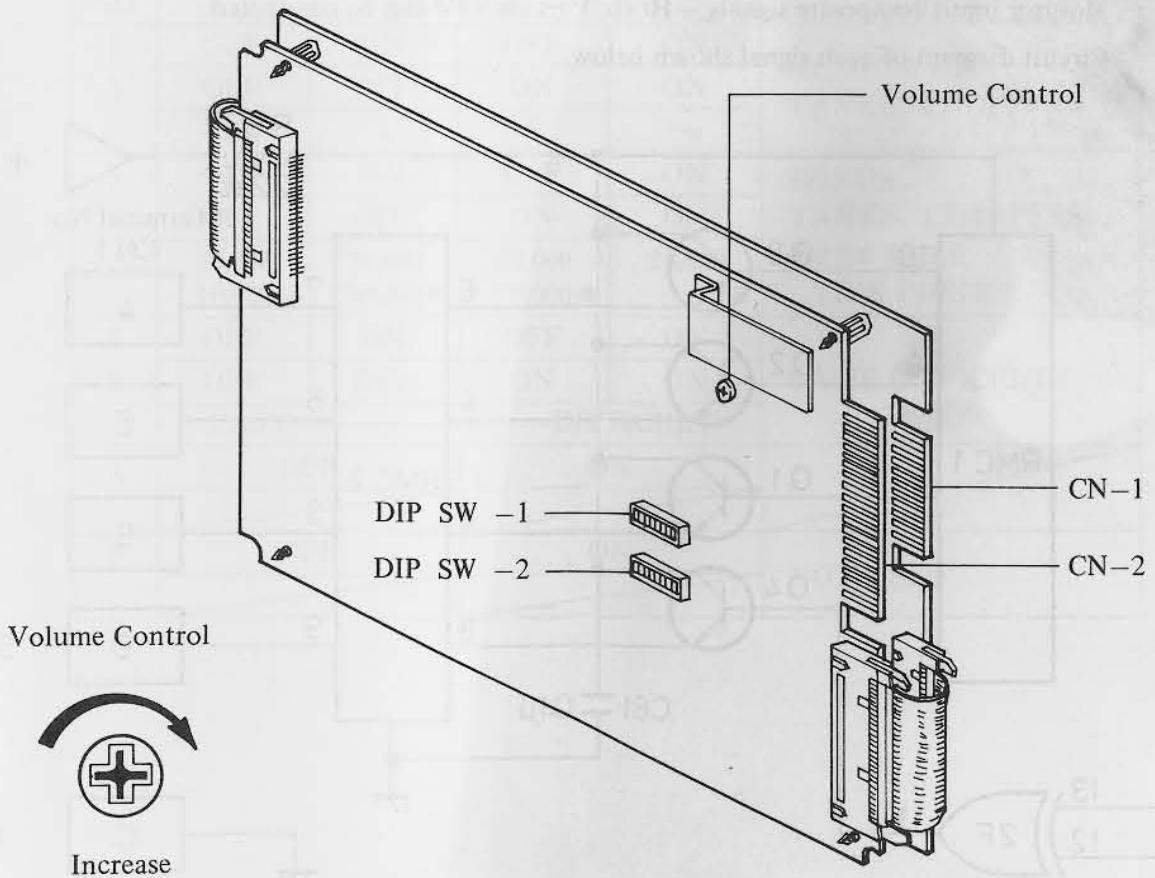
## 5. DIMENSION

DE-0178-0 - 230mm x 350mm

DE-0195-0 - 230mm x 350mm

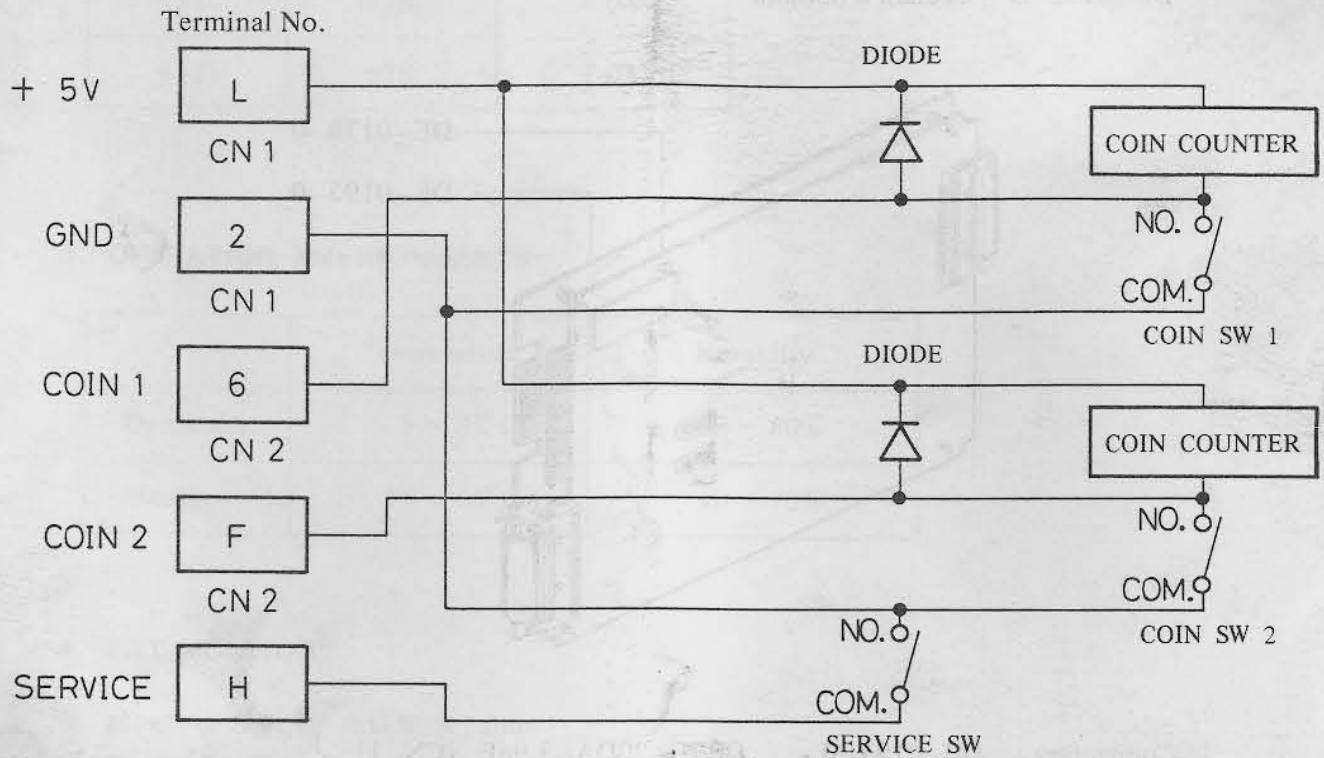


Connectors : DE-0195-0 CR7E-20DA-3.96E [CN-1]  
 DE-0178-0 CR7E-36DA-3.96E [CN-2]



## 6. EXAMPLE OF STANDARD CONNECTION

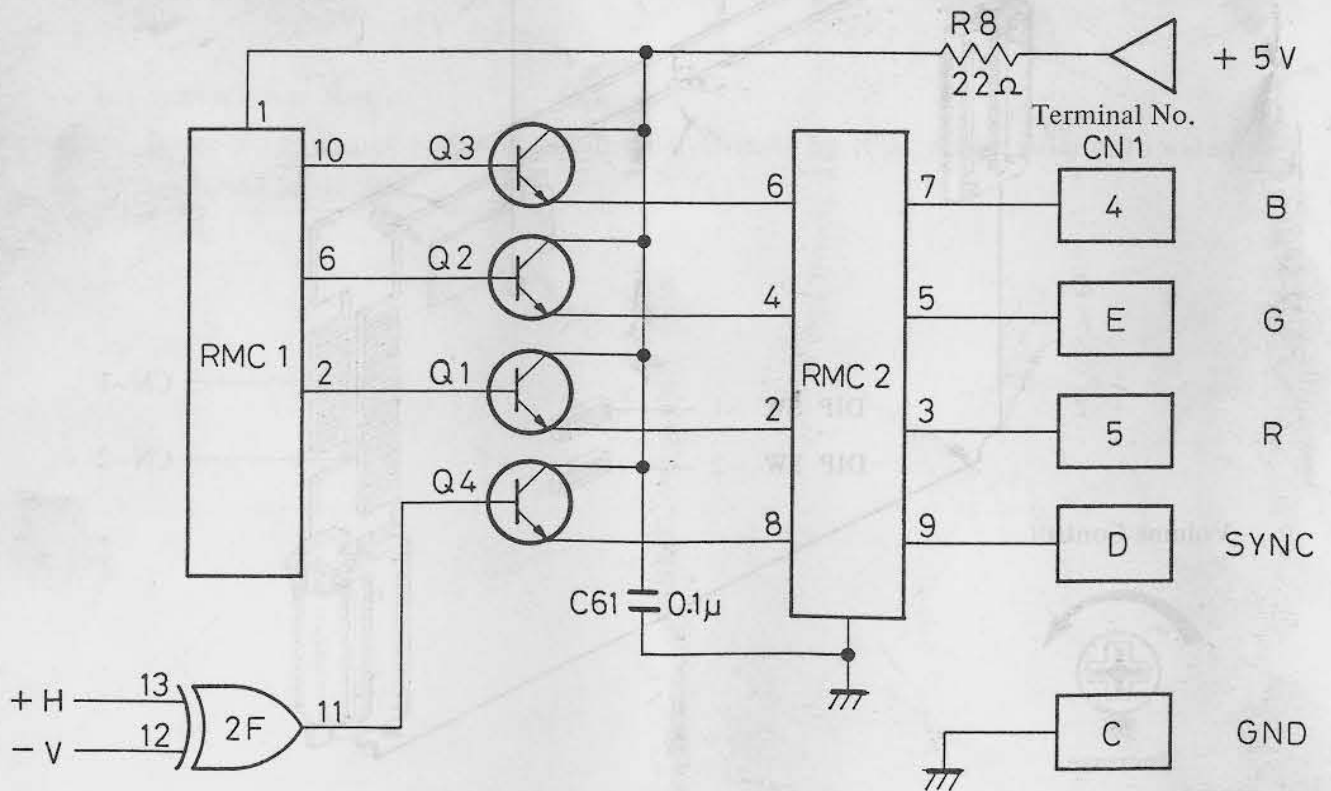
2 coin switches can be installed.



## MONITOR CONNECTION

Monitor input composite signals – Horiz/Vert on +5V can be connected.

Circuit diagram of each signal shown below.





# HOW TO INSTALL

## DIP SWITCH SETTINGS

DIP SWITCH 1					
NO	SETTING				REMARKS
1	OFF	ON	OFF	ON	GAME CHARGE TABLE/UPRIGHT RIGHT SELECTOR
2	OFF	OFF	ON	ON	
	1 COIN 1 PLAY	1 2	1 3	2 1	
3	OFF	ON	OFF	ON	GAME CHARGE UPRIGHT LEFT SELECTOR
4	OFF	OFF	ON	ON	
	1 COIN 1 PLAY	1 2	1 3	2 1	
5	OFF	ON	OFF	ON	DON'T CHANGE
6	OFF	OFF	ON	ON	
7	OFF		ON		TABLE/UPRIGHT
	TABLE		UPRIGHT		
8	OFF		ON		DATA EAST CORP. USA INC.
	DATA EAST CORP.		USA INC.		

DIP SWITCH 2					
NO	SETTING				REMARKS
1	OFF	ON	OFF	ON	NUMBER OF TANKS/CHOPPERS
2	OFF	OFF	ON	ON	
	3	4	5	∞	
3	OFF	ON	OFF	ON	BONUS TANKS/CHOPPERS *FOR OVER THIS POINT
4	OFF	OFF	ON	ON	
	20,000 40,000*	30,000 50,000*	50,000 70,000*	20,000 0*	
5	OFF	ON	OFF	ON	GAME DIFFICULTY
6	OFF	OFF	ON	ON	
	EASY → DIFFICULT				
7	OFF		ON		/
8	OFF		ON		NOT USED

