

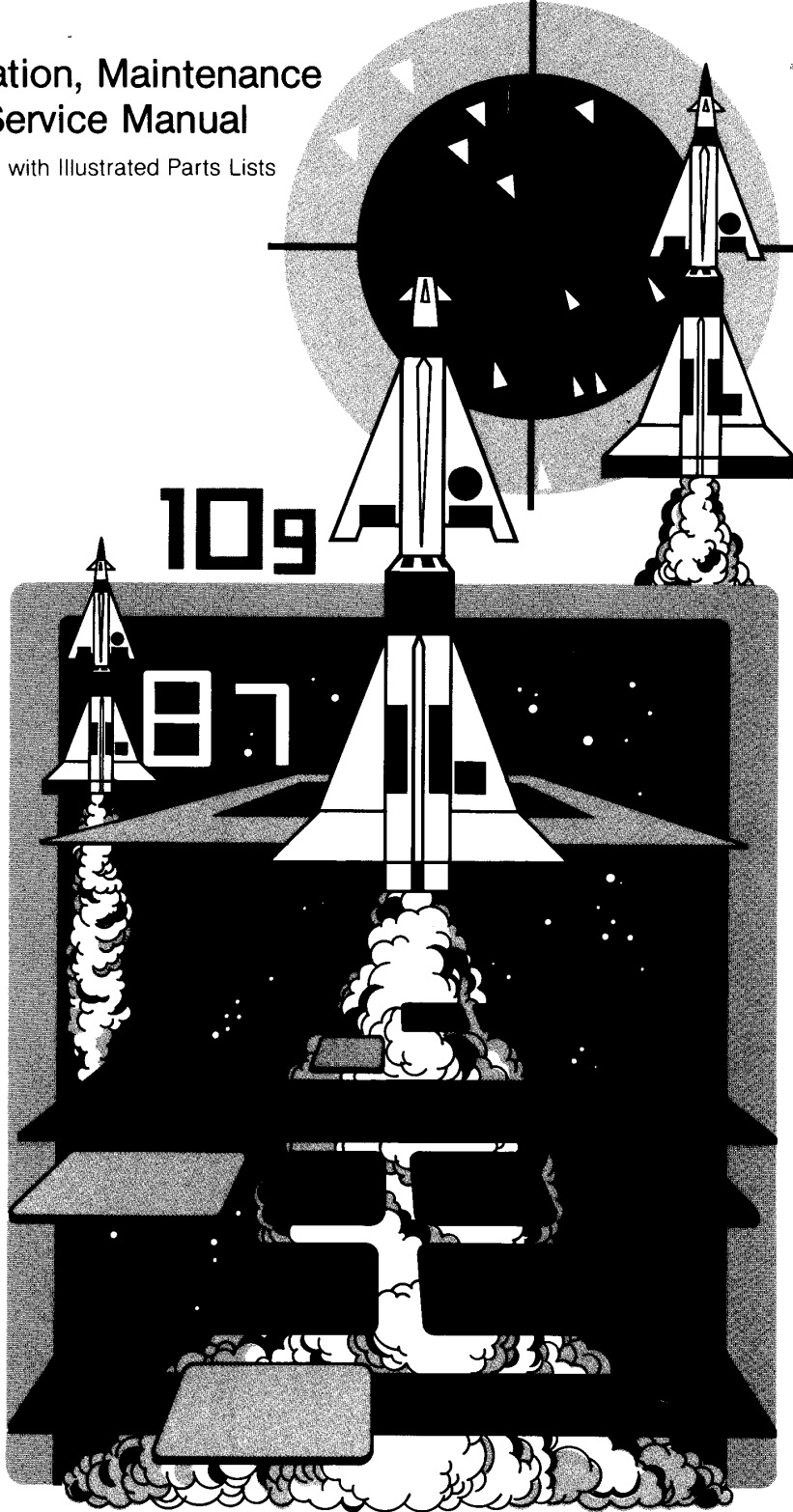


MISSILE

TM-152
1st printing

Operation, Maintenance
and Service Manual

Complete with Illustrated Parts Lists



COMING AND COCKTAIL™

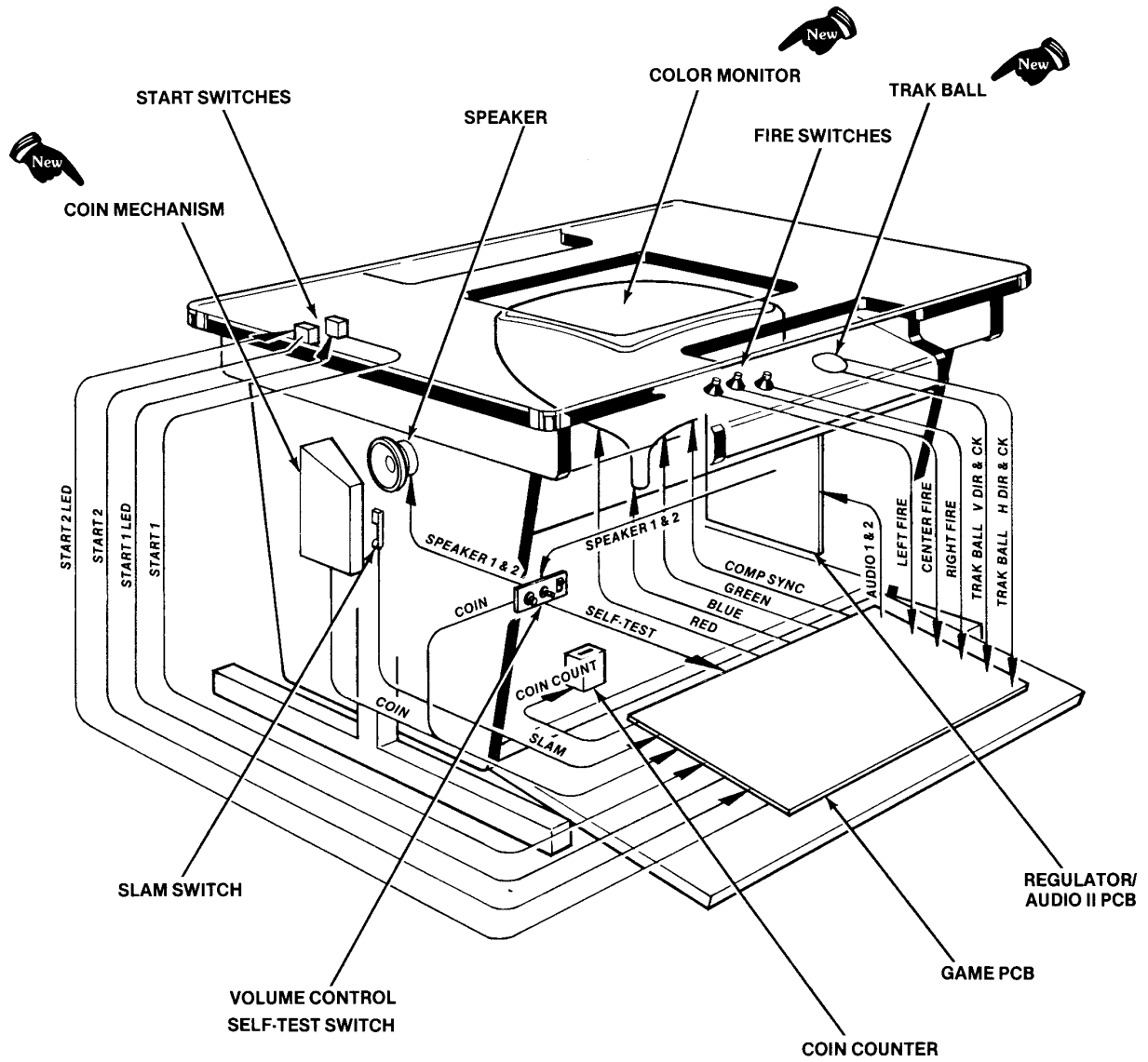
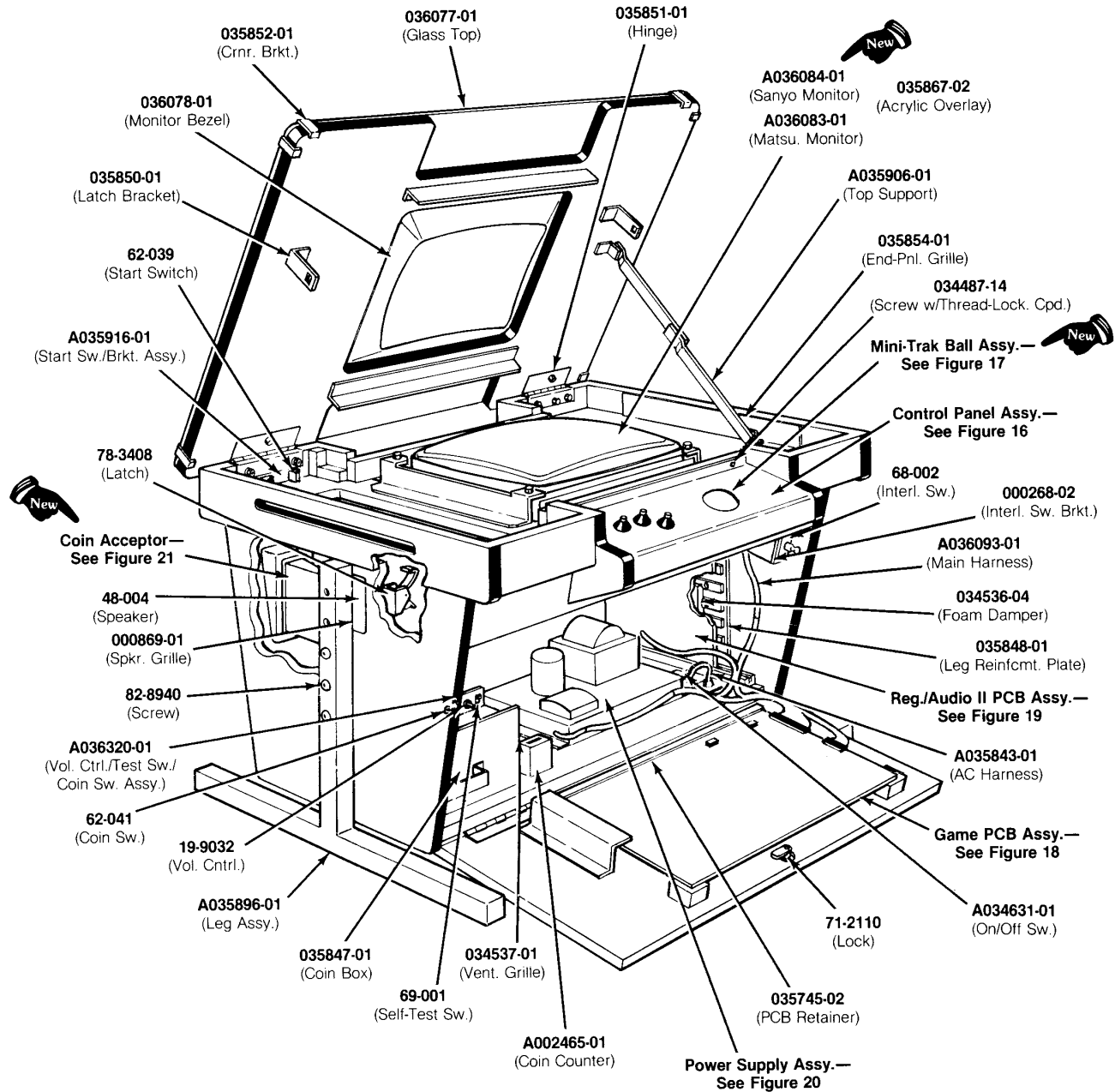


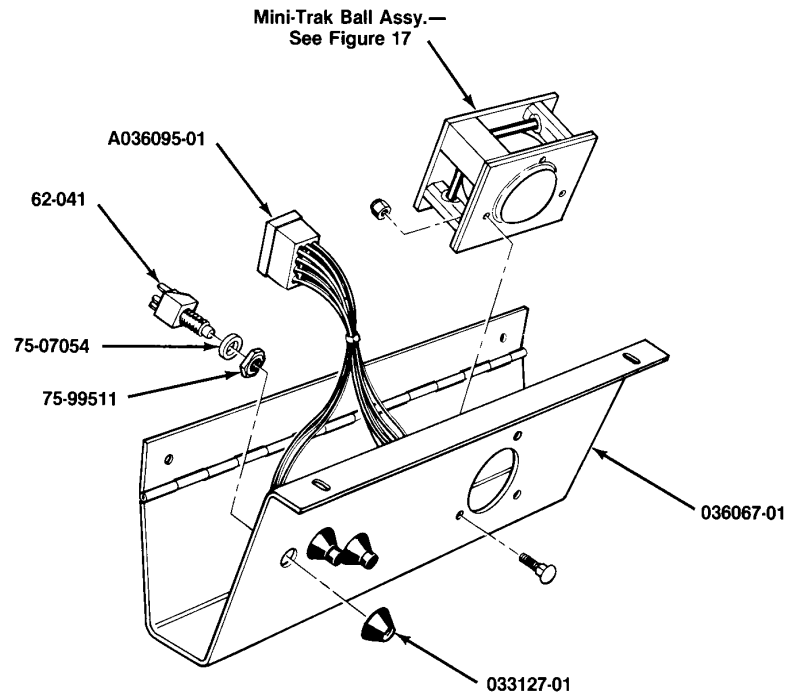
Figure 14 Signal Distribution



**Figure 15 Cabinet-Mounted Assemblies
A036080-xx B**

Figure 15 Cabinet-Mounted Assemblies Parts List

Part No.	Description
A002465-01	Coin Counter
A007638-01	Slam Switch Assembly
A034631-01	15 Amp @ 125V (10 Amp @ 250V) DPDT Toggle Switch
A035843-01	AC Harness Assembly
A035896-01	Leg Assembly
A035906-01	Top Support Assembly
A035916-01	Start Switches/Bracket Assy. <i>(includes switches, stamped nuts, bushings and bracket)</i>
A035992-01	Strain-Relief Power Cord Assembly <i>(for use in USA and Japan)</i>
A036083-01	14" Matsushita Monitor Assembly <i>(includes adapter harness and steel side supports)</i>
A036084-01	14" Sanyo Monitor Assembly <i>(includes steel side supports)</i>
A036093-01	Main Harness
A036320-01	Volume Control/Test Switch/Coin Switch Assembly <i>(includes bracket)</i>
DP-152-01	Sheet 1 of Schematic Drawing Package
DP-152-02	Sheet 2 of Schematic Drawing Package
ST-152	Self-Test Label
TM-152	Technical Manual for Cocktail Missile Command™
TM-153	Manual for Matsushita 14" Color Monitor
TM-157	Manual for Sanyo 14" Color Monitor
19-9032	50-Ohm, 12½-Watt, Wirewound Rheostat <i>(Volume Control)</i>
48-004	16-Ohm, 4-Watt, 4-Inch High-Fidelity Loudspeaker
62-039	SPDT Momentary-Contact Pushbutton Start Switch with Red Light-Emitting Diode
62-041	SPDT Momentary-Contact Pushbutton Coin Switch <i>(for operator convenience)</i>
68-002	30-Amp. Interlock Switch
69-001	DPDT Slide Switch <i>(self-test)</i>
71-2110	Panel Cartridge Lock Mechanism
75-07017	Spacer for Mounting Printed-Circuit Boards
75-9910W0	15/32-32 Steel Stamped Nut <i>(for start switch)</i>
78-24012	5" Beaded Nylon Tie Wrap <i>(for securing edge connector to Game PCB)</i>
78-3408	Spring Draw Latch
78-6900402	Adhesive Foam Tape <i>(for glass top)</i>
82-8940	3/8-16 × 2½" Button-Head Hex Socket Machine-Thread Screw
000268-02	Interlock Switch Mounting Bracket
000869-01	Speaker Grille
007882-02	Interlock Switch Cover
033127-01	Black Molded Polycarbonate Switch Bushing
034487-14	10-32 × 7/8" Button-Head Hex-Head Machine-Thread Screw with Thread-Locking Compound
034536-04	Foam Vibration Damper
034537-01	Ventilation Grille
035745-02	18"-Long Plastic PCB Retainer
035845-01	Coin Box Lid
035847-01	Coin Box
035848-01	Leg Reinforcement Plate
035850-01	Latch Bracket
035851-01	Hinge
035852-01	Corner Bracket
035854-01	End-Panel Grille <i>(2 per game)</i>
035867-02	Bronze-Color Acrylic Overlay
035917-01	On/Off Switch Cover
036077-01	Glass Top with Graphics
036078-01	Cardboard Monitor Bezel



**Figure 16 Control Panel Assembly
A036076-01 A**

Parts List

<i>Part No.</i>	<i>Description</i>
A036095-01	Control Panel Harness Assembly
62-041	Pushbutton Switch with Black Cap (3 per game)
75-07054	Flat Nylon Washer, 0.470" inside diameter × 0.968" outside diameter × 0.075" thick
75-99511	#10-24 Steel Stamped Nut
033127-01	Black Molded Switch Bushing
036067-01	Control Panel with Graphics

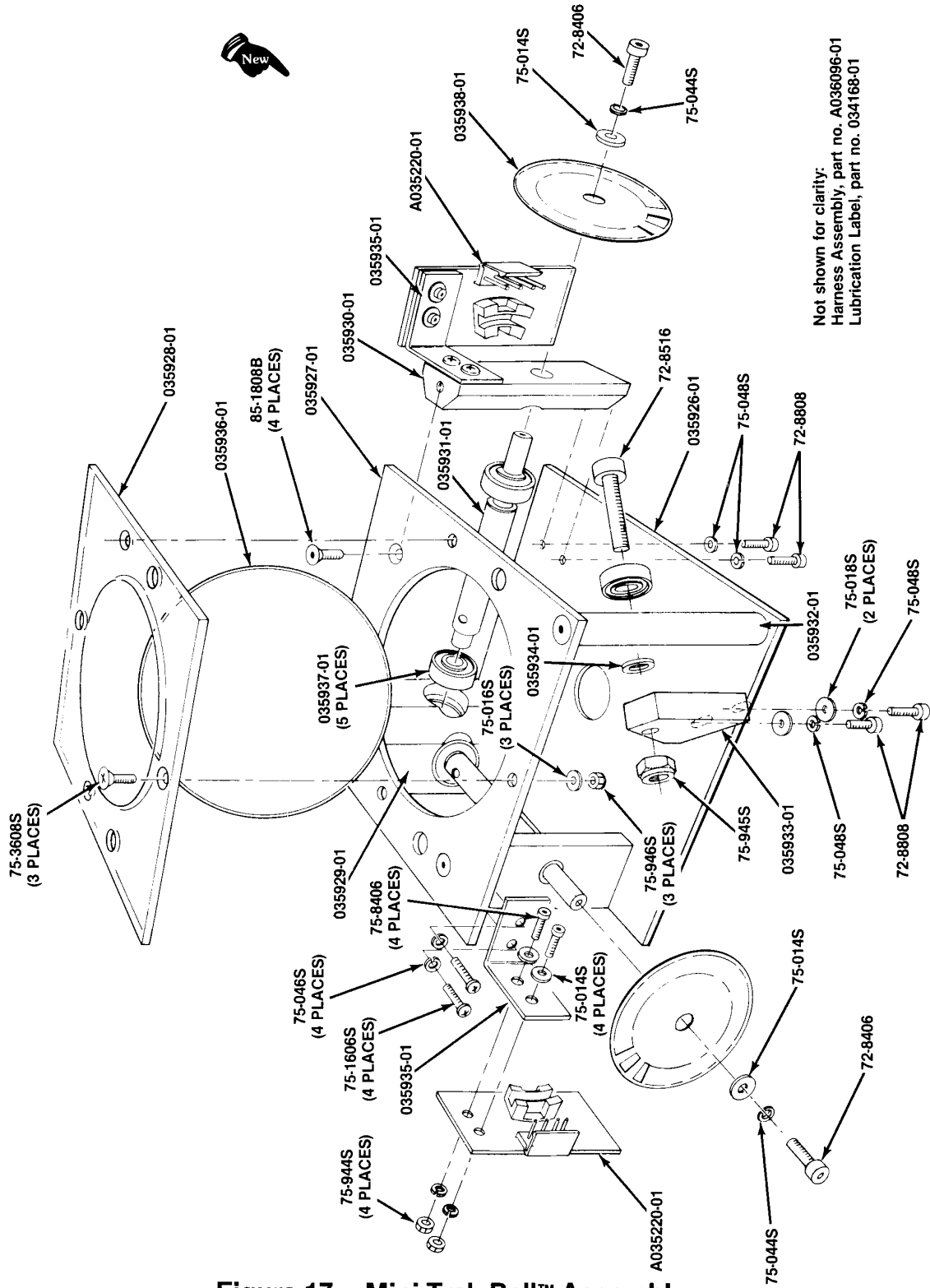


Figure 17 Mini-Trak Ball™ Assembly
A035940-01 A

Figure 17 Mini-Trak Ball™ Assembly Parts List



<i>Part No.</i>	<i>Description</i>
A035220-01	Coupler PCB Assembly
A036096-01	Harness Assembly
72-1606S	#6-32 × 3/8" Cross-Recessed Pan-Head Cadmium-Plated Steel Machine Screw
72-8406	#4-40 × 3/8" Hex Socket-Head Cap Alloy Steel Machine Screw
72-8516	1/4-20 × 1" Hex Socket-Head Cap Alloy Steel Machine Screw
72-8808	#8-32 × 1/2" Hex Socket-Head Cap Alloy Steel Machine Screw
75-014S	#4 Flat Plain SAE-Standard Zinc-Plated Steel Washer
75-016S	#6 Flat Plain SAE-Standard Zinc-Plated Steel Washer
75-018S	#8 Flat SAE-Standard Zinc-Plated Steel Washer
75-044S	#4 Zinc-Plated Steel Split Lock Washer
75-046S	#6 Zinc-Plated Steel Split Lock Washer
75-048S	#8 Zinc-Plated Steel Split Lock Washer
75-944S	#4-40 Self-Locking Steel/Polymer Hex Nut
75-945S	1/4-20 Self-Locking Steel/Polymer Hex Nut
75-946S	#6-32 Self-Locking Steel/Polymer Hex Nut
85-1808B	#8-32 × 1/2" Socket Cap Flat Countersunk-Head Black-Oxide Steel Screw
034168-01	Label with Lubrication Instructions
035926-01	Base Plate
035927-01	Top Plate (Metal)
035928-01	Top Plate (Acrylic)
035929-01	Corner Post
035930-01	End Post
035931-01	Roller Shaft
035932-01	Standoff
035933-01	Adjustable Post
035934-01	Spacer
035935-01	Angle Bracket
035936-01	Mini-Trak Ball™
035937-01	Bearing
035938-01	Encoding Wheel