

# NIGHT STOCKER FIELD CONVERSION KIT INSTRUCTION SHEETS

PART NO. AE74-00301-0000

*Bally*  
**SENTE**<sup>TM</sup>

10601 W Belmont Avenue  
Franklin Park, Illinois 60131  
U.S.A.

Phone (312)451-9200 Cable Address MIDCO Telex No. 72-1596

**WARNING**

**THIS GAME MUST BE GROUNDED. FAILURE TO DO SO MAY RESULT IN DESTRUCTION TO ELECTRONIC COMPONENTS.**

**WARNING:** This equipment generates, uses and can radiate radio frequency energy and if not installed and used in accordance with the instruction manual, may cause interference to radio communications. It has been tested and found to comply with the limits for a CLASS A computing device pursuant to SUBPART J of PART 15 of FCC RULES, which are designed to provide reasonable protection against such interference when operated in a commercial environment. Operation of this equipment in a residential area is likely to cause interference in which case the user at his own expense will be required to take whatever measures may be required to correct the interference.

**ELECTRICAL BULLETIN:** FOR ALL APPARATUS COVERED BY THE CANADIAN STANDARDS ASSOCIATION (CSA) STANDARD C22.2 NO. 1, WHICH EMPLOYS A SUPPLY CORD TERMINATED WITH A POLARIZED 2-PRONG ATTACHMENT PLUG.

**CAUTION:** TO PREVENT ELECTRIC SHOCK DO NOT USE THIS (POLARIZED) PLUG WITH AN EXTENSION CORD, RECEPTACLE OR OTHER OUTLET UNLESS THE BLADES CAN BE FULLY INSERTED TO PREVENT BLADE EXPOSURE.

**ATTENTION:** POUR PREVENIR CHOCS ELECTRIQUES NE PAS UTILISER CETTE FICHE POLARISEE AVEC UN PROLONGATEUR. UNE PRISE DE COURANT OU UNE AUTRE SORTIE DE COURANT, SAUF SI LES LAMES PEUVENT ETRE INSEREES A FOND SANS EN LAISSER AUCUNE PARTIE A DECOUVERT.



*Invites You To Use*

**OUR TOLL FREE NUMBERS FOR  
SERVICE INFORMATION CONCERNING THIS GAME, OR ANY  
OTHER BALLY/SENTE™ GAME YOU NOW HAVE ON LOCATION.**

**CALL US FOR PROMPT, COURTEOUS  
ANSWERS TO YOUR PROBLEMS.**

**Video - Continental U.S. 800-323-7182**



10601 West Belmont Avenue Franklin Park, Illinois, 60131 phone (312) 451-9200

**Copyright ©1986 by Bally Sente, Inc. All rights reserved.**

No part of this publication may be copied by any photographic, mechanical or electronic process, or in the form of a magnetic recording, nor stored in any retrieval system, transmitted, or otherwise reproduced for private or public use without permission from Bally Sente, Inc.

The U.S. Copyright Act of 1976 protects the contents of this manual, graphic designs and includes schematics.

Bally Sente will enforce its copyrights. All legal means to stop manufacturing, operation, and distribution of copy video games will be employed.

## WARNING

The parts contained in this field conversion kit must be installed without deviation from the instructions contained in this manual and kit. Failure to follow these instructions in every detail may result in the creation of illegal interference to radio and TV reception.

BALLY SENTE has verified that this field conversion kit, when installed in the game cabinets: SAC 1A, SAC 1B, SAC-MAN conversion (E23) or SAC-MAN conversion (E48), as specified in this manual, complies with the requirements in Part 15 of the FCC rules for a Class A computing device. Operation of this equipment in a residential area may cause unacceptable interference to radio and TV reception, requiring the operator to take whatever steps are necessary to correct the interference.

BALLY SENTE will not be responsible for incomplete or improper conversions, or installation in a game for which this field conversion kit is not intended. If this conversion kit is installed in a game that is not specified in this manual or in a previously converted game, the operator is required to take whatever steps are necessary to insure compliance with the requirements in Part 15, Subpart J, of the FCC Rules for a Class A computing device.

**NOTE:** SAC 1A consists of SAC electronics in a wooden cabinet with a large metal front access door.

SAC 1B consists of SAC electronics in a wooden cabinet with a large wooden front access door.

SAC-MAN (E23) is a BALLY SENTE cabinet conversion kit to convert a PAC-MAN, MS. PAC-MAN, or GALAXIAN game cabinet.

SAC-MAN (E48) is a BALLY SENTE cabinet conversion kit to convert a TRACK & FIELD or HYPER SPORT game cabinet.

### **WARNING !!!**

**DO NOT** INSTALL THE NIGHT STOCKER GAME KIT (PART #GE74-00001-0000) IN ANY SAC 1 (TUBULAR METAL FRAME) CABINET **WITHOUT** ALSO INSTALLING THE SAC 1 UPDATED FIELD KIT (PART #GE90-00001-0000).

THE SAC 1 UPDATED FIELD KIT CONTAINS A FULLY TEMPERED FLOAT GLASS (U.L. RECOGNIZED) WHICH **MUST** REPLACE THE EXISTING VIEWING GLASS IN YOUR SAC-1 CABINET.

### **!! IMPORTANT !!**

MONITOR AND FACE GLASS **MUST** BE CLEANED FOR GUN TO OPERATE PROPERLY !!

REGULAR CLEANING WILL HELP INSURE PROPER OPERATION.

### **!! IMPORTANT !!**



## Night Stocker Game Review

Night Stocker is a one-player first person driving/shooting game. Controls consist of a steering wheel and a hand-held gun secured to the game cabinet on a cable.

### Game Description

You find yourself driving the armored car, known as Night Stocker, on an unknown planet. The goal is to capture energy and shot crystals and to destroy the robot force defending the planet.

In the first scene, you are driving at high speed across an alien landscape. You must dodge mines, hazards, and other dangerous obstacles while attempting to reach the next robot installation. You are constantly under attack by a variety of airborne and land-based robot ships and weapons. You can defend yourself by shooting the enemies and their armament with your hand-held gun.

Your gun operates in either single-shot or "UZI" machine gun mode and has vast destructive power. You must, however, conserve your shots and energy shields by capturing colored crystals in the electrical claw mounted on the front of your car.

If you are able to reach the outpost, your car slows to a stop in front of the robot installation. Your job here is to clean out the enemy outpost before they destroy you.

Each of the 16 waves in the game contain unique enemies with a variety of weaponry and each outpost increases in size, complexity, and deadliness as indicated in the following "Night Stocker Enemy Chart". The game also has 2 levels of switch-selectable difficulty with the "Easy" setting being the recommended initial setting.

### Attract Mode

When the game is first powered or when self-test is exited, a blank screen with message "Loading" appears for approximately 30 seconds. This is to allow for the sound circuitry to be initialized.

Subsequently, the Title screen followed by the High Score screen will appear. If music in attract has been selected (the recommended default) it will start with the next screen, the Demo screen.

Other screens include the Credits screen and the Enemies screen. Note that the Demo screen and the Enemies screen will explain the scoring possibilities as well as the methods used to capture crystals, recharge shields, and gather more shots.

## NIGHT STOCKER ENEMY LIST

ENEMY NAME	WEAPONRY	WAVE NUMBER															
		1	2	3	4	5	6	7	8	9	10	11	12	13	14	15	16
IDORS	PINCERS	X											X			X	
MARK III's	MINES		X					X									
MARK VII's	BOUNCERS					X			X				X			X	
SPEEDERS	BULLETS				X		X				X					X	
DYADS	BUZZ SAW				X				X							X	
NUKES	BOMB							X			X	X			X	X	X
ZARKS	SMARTS												X		X	X	X
DROSIANS	MINES			X		X					X						X
CRUISERS	BOMB			X					X		X	X		X		X	X
GAZERS	DEATH RAYS						X			X	X			X	X	X	X
ROBOTS/ OUTPOST	BULLETS	8	10	11	12	13	14	15	15	16	17	18	19	20	21	23	25
SIMULTANEOUS ROBOTS/WAVE	BULLETS	1	1	2	1	2	2	2	2	2	3	3	4	3	3	4	5

- NOTES:
1. An X indicates that enemy may be activated in this wave.
  2. Sentry-class Robots man the robot outposts.
  3. Hard difficulty mode adds 10 robots/outpost.
  4. Speed of enemies increases with each wave.

## Self-Test

Pressing the self-test switch on the chassis will cause the game to enter a sequenced self-test mode. First the RAM (Random Access Memory), the ROM (Read Only Memory) checksums, and the sound circuitry are tested. Messages indicating the status of this hardware will appear at this point. Pressing the gun trigger will advance to the next portion of the test.

The next two screens in self-test are to help with the set-up and alignment of the gun. First a grey scale appears to help adjust the monitor's contrast and to help achieve a full range of black to white. Next a full white screen appears with a small digital readout indicating the gun's co-ordinates appearing in the upper left corner. Aiming the gun at the screen will cause small blue dots to appear on the screen wherever the gun is pointing. This will allow you to see if the gun is reading over the full surface of the screen. If the gun does not appear to fully reach the sides or the corners of the display it means that the monitor and the protective ground-glass need to be cleaned thoroughly. It is VERY IMPORTANT! to keep the glass and the monitor clean for proper operation of the gun.

If the gun still does not work after cleaning the monitor and both sides of cabinet glass, check to see that the gun barrel is free of obstructions and that the gun lens is clean. If necessary, carefully wipe the lens with a soft clean damp cloth to remove dirt.

The next screen will readout the status of the switches and analog state of the steering wheel inputs. This allows you to determine if the steering wheel is operating properly or if any of the switches needs repair.

The final two screens are statistics relating to the number of plays and the scores achieved in the game since the last time these numbers were reset in self-test. Note that pressing the Start switch will cause these numbers to be erased and will provide a known starting point for any game stats you wish to collect.

## Gun Interface Board - Theory of Operation

The board contains three sections: a clock generator, an external signal synchronizer, and a position counter/shifter.

The clock generator is self-explanatory. The synchronizer aligns all edges of external signals (HSYNC, VSYNC, OUT 2) with the internal clock.

The position counter/shifter consists of two eight-bit binary counters and two eight-bit shift registers. These are implemented using four PAL16R8 ICS. Each PAL is configured as a four-bit counter, similar to a 74161, and a four-bit shifter, similar to a 7495. The counters are synchronized by HSYNC and VSYNC so as to have the same values as the scan counters on the SAC 1 CPU Board. When the hit detect signal comes in from the gun, the counters freeze. When VSYNC occurs, the information in the counters is transferred to the shift registers for output. The program advances the shift registers with its OUT 2 signal. Four reads are needed to input all 16 bits.

## Gun Opto Board - Theory of Operation

The opto-board consists of a photodiode, a current to voltage converter, an amplifier, and a threshold detector.

Photodiode CR1 produces an output current proportional to the light hitting it. Op-Amp U1 converts this current to a voltage. With the gun a foot from a white screen, the signal on the output of U1 will be in the range of 120-400 mv., depending on the particular photo-diode, monitor brightness and the cleanliness of the optical system. This signal is amplified by Q1 & Q2. The AC component of the output here will be 3-5 volts. Comparator U2 switches whenever Q2's collector goes below 1.3 volts. This output is sent to the gun interface board as a hit.



**NIGHT STOCKER**

OPTION SWITCH SETTINGS - DIP SWITCH "G1"

//////////////////////////////////// **VARIOUS GAME PLAY OPTIONS** //////////////////////////////////////

	<u>SW#1</u>	<u>SW#2</u>	<u>SW#3</u>	<u>SW#4</u>	<u>SW#5</u>	<u>SW#6</u>	<u>SW#7</u>	<u>SW#8</u>
* DIFFICULTY: EASY	OFF	XX	XX	XX	XX	XX	XX	
DIFFICULTY: HARD	ON	XX	XX	XX	XX	XX	XX	
NO SOUNDS IN ATTRACT		XX	XX	XX	XX	XX	XX	OFF
* SOUNDS IN ATTRACT		XX	XX	XX	XX	XX	XX	ON
* INDICATED FACTORY RECOMMENDED SETTINGS	<b>PART NO. M051-00E74-A007</b>							

**NIGHT STOCKER**

OPTION SWITCH SETTINGS - DIP SWITCH "H1"

//////////////////////////////////// **COINS PER CREDIT** //////////////////////////////////////

<u>VARIOUS CREDIT OPTIONS</u>	<u>SW#1</u>	<u>SW#2</u>	<u>SW#3</u>	<u>SW#4</u>	<u>SW#5</u>	<u>SW#6</u>	<u>SW#7</u>	<u>SW#8</u>
FREE PLAY	OFF	OFF	OFF	OFF	OFF	OFF	OFF	OFF
* 1 COIN / 1 CREDIT	ON	ON						
1 COIN / 2 CREDITS	OFF	ON						
2 COINS / 1 CREDIT	ON	OFF						
3 COINS / 1 CREDIT	OFF	OFF						

//////////////////////////////////// **COINS ADD BONUS COINS** //////////////////////////////////////

* NO BONUS COINS			ON	ON	ON			
2 COINS ADDS 1 BONUS COIN			OFF	ON	ON			
3 COINS ADDS 1 BONUS COIN			ON	OFF	ON			
4 COINS ADDS 1 BONUS COIN			OFF	OFF	ON			
4 COINS ADDS 2 BONUS COINS			ON	ON	OFF			
5 COINS ADDS 1 BONUS COIN			OFF	ON	OFF			
5 COINS ADDS 2 BONUS COINS			ON	OFF	OFF			
5 COINS ADDS 3 BONUS COINS			OFF	OFF	OFF			

//////////////////////////////////// **COIN MECH MULTIPLIER** //////////////////////////////////////

* LEFT COIN MECH X 1								ON
LEFT COIN MECH X 2								OFF
* RIGHT COIN MECH X 1								ON
RIGHT COIN MECH X 4								OFF
RIGHT COIN MECH X 5								ON
RIGHT COIN MECH X 6								OFF
* INDICATED FACTORY RECOMMENDED SETTINGS	<b>PART NO. M051-00E74-A007</b>							

**KIT PARTS LIST: NIGHT STOCKER**  
**PART NO. GE74-00001-0000**

**ORDER BY PART NUMBER ONLY**

<b>ITEM</b>	<b>PART NO.</b>	<b>DESCRIPTION</b>
	AE74-00004-0000	CONTROL SHELF ASSY. (INCLUDES ITEMS 1 THRU 18)
1	AB96-00008-0000	PLATE ASSY.: W/BEARING
2	AB96-00017-0000	JUMPER CABLE ASSY.
3	AC48-00030-0000	SENSOR DISC ASSY.
	AC48-00029-00XF	HUB & PLATE ASSY.
	OC48-00117-0000	PLATE: TOP
	OC48-00908-0000	DISC: 64 POS.
	0017-00101-0124	6 X 4 UNSLOTTED HEX W/WASHER SCREW (3 REQ'D.)
4	AE74-00010-00XF	CONTROL SHELF WELD INS ASSY.
5	AE74-00014-0000	HAND GUN ASSY. (SEE COMMON ASSY.)
6	AE74-00016-0000	STEERING CONTROL CABLE ASSY.
7	AE74-00017-0000	STEERING WHEEL ASSY.
	AB96-00009-00XF	BASE & SHAFT ASSY.
	OB96-00702-00XF	CAP: SAND CASTING
	OB96-00900-0000	INLAY: STEERING WHEEL
	OE74-00909-0000	HUB: SKIRT, STEERING WHEEL
	0017-00009-0604	STEERING WHEEL: Dia. 12"
	0017-00101-0271	1/4 - 20 X 12 HEX SOCKET, SOCKET HD. SCREW (3 REQ'D.)
	0017-00104-0098	WASHER (3 REQ'D.)
8	A084-91829-AB96	ROTATION SENSOR BOARD ASSY.
9	B006-08004-100A	TRACKBALL PCB ASSY.
10	B006-08032-010B	GUN-INTERFACE BD. ASSY.
11	OB96-00112-0000	BRACKET: OFFSET P.C.
12	OE74-00107-00XF	SHIELD: GUN

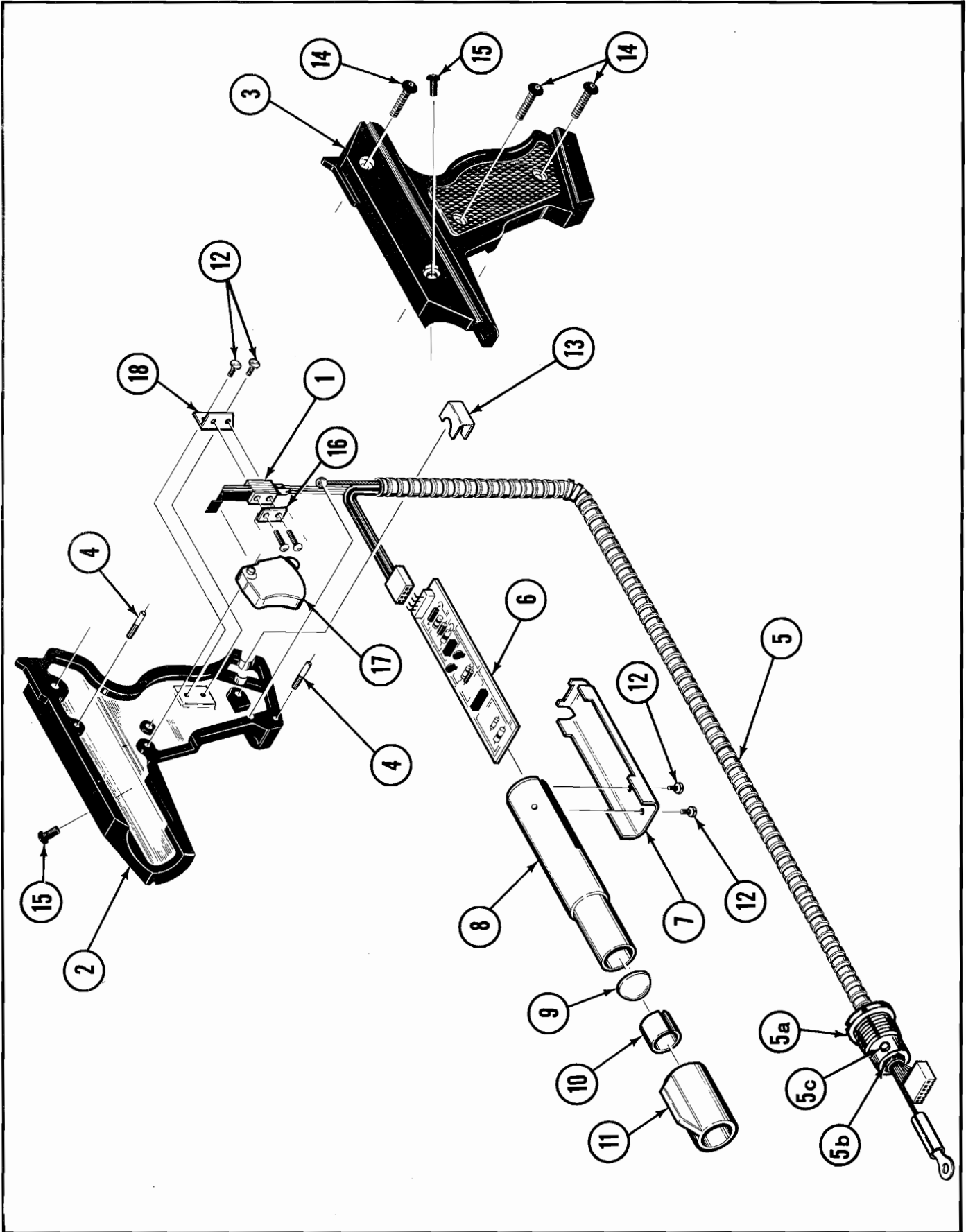
**M051-00E74-A006**

**KIT PARTS LIST: NIGHT STOCKER, CONT.  
PART NO. GE74-00001-0000**

ORDER BY PART NUMBER ONLY

ITEM	PART NO.	DESCRIPTION
13	0E74-00108-00XF	HOLDER: GUN
14	0017-00032-0092	SWITCH: SPDT P.B. MOMENT LED
15	0017-00041-0724	TUBING: SHRINK 1" BLACK
16	0017-00042-0072	GROMMET: PLASTIC 1/4" (4 REQ'D.)
17	0017-00042-0139	GROMMET: PLASTIC 3/32" (4 REQ'D.)
18	0929-00905-00XF	BEZEL: SWITCH
19	AE74-00018-0000	SENTE MONITOR ADAPTER CABLE ASSY.
20	A084-91834-AE74	PROG. 128K CARTRIDGE: NIGHT STOCKER
21	AE74-00300-0000	KIT INSTRUCTION ASSY.
	M051-00E74-A007	TAG: OPTION SWITCH SETTING
	AE74-00301-0000	KIT INSTRUCTION SHEET ASSY.
	M051-00C47-A019	MANUAL: CONVERSION KIT
22	0E74-00900-0000	HEADER: ATTRACT
23	0017-00009-0484	KEY: ALLEN 1/8" TAMPER PROOF
24	0017-00042-0310	CABLE-CLAMP: ADHESIVE KURLY-LOK
25	0017-00103-0052	NUT 6-32 LOCKING (9 REQ'D.)

HAND GUN ASSEMBLY  
PART NO. AE74-00014-0000



**HAND GUN ASSEMBLY - PARTS LIST**  
**PART NO. AE74-00014-0000**

ORDER BY PART NUMBER ONLY

ITEM	PART NO.	DESCRIPTION
1	AA57-00029-0000	SWITCH ASSY.: TRIGGER
	AE74-00011-00XF	GRIP-ASSY.: PAINTED SET (INCLUDES ITEMS 2 THRU 4)
2	OE74-00903-0100	GRIP: RIGHT HAND
3	OE74-00903-0200	GRIP: LEFT HAND
4	0307-00700-0000	PIN: LOCATING (2 REQ'D.)
5	AE74-00012-0000	ARMOUR & SECURITY CABLE ASSY.
5a	OE74-00701-00XF	CABLE TERMINATOR
5b	OE74-00908-00XF	SLEEVE: ARMORED-CABLE
5c	0017-00101-0314	10-32 X 3 HEX SOCKET CUP POINT SET SCREW
	AE74-00013-0000	BARREL ASSY. (INCLUDES ITEMS 6 THRU 12)
6	B006-08031-0108	GUN-OPTO BOARD ASSY.
7	OE74-00103-0000	BRKT.: P.C. BOARD
8	OE74-00700-00XF	TUBING: BARREL
9	OE74-00902-0000	LENS: HAND GUN
10	OE74-00904-0000	RETAINER: LENS
11	OE74-00905-0000	TIP: GUN-BARREL
12	0017-00101-0547	6-32 X 3/16" SLOT. PAN HD. M.S. (4 REQ'D.)
13	OE74-00100-0000	RETAINER: CABLE
14	0017-00101-0825	10-32 X 12 HEX SOCKET TAMPER RESISTANT BUTTON HD.SCREW (3 REQ'D.)
15	0017-00101-0826	10-32 X 6 HEX SOCKET TAMPER RESISTANT BUTTON HD. SCREW (2 REQ'D.)
16	0020-00243-0000	PLATE: SPRING
17	0307-00908-0000	TRIGGER: MOLDED
18	OE74-00102-0000	BRKT.: SWITCH

**BALLY SENTE MONITOR  
ADAPTER CABLE INSTALLATION NOTICE**

The Bally Sente Monitor Adapter Cable, (AE74-00018-0000), as part of the NIGHT STOCKER conversion kit, must be installed in Sente upright mainframe cabinets (SAC 1, SAC 1A, SAC 1B, and SAC MAN) **ONLY**.

Failure to make this installation results in the loss of the Gun Assembly's signal output. This means that the gun's trigger action would have no effect on the screen.

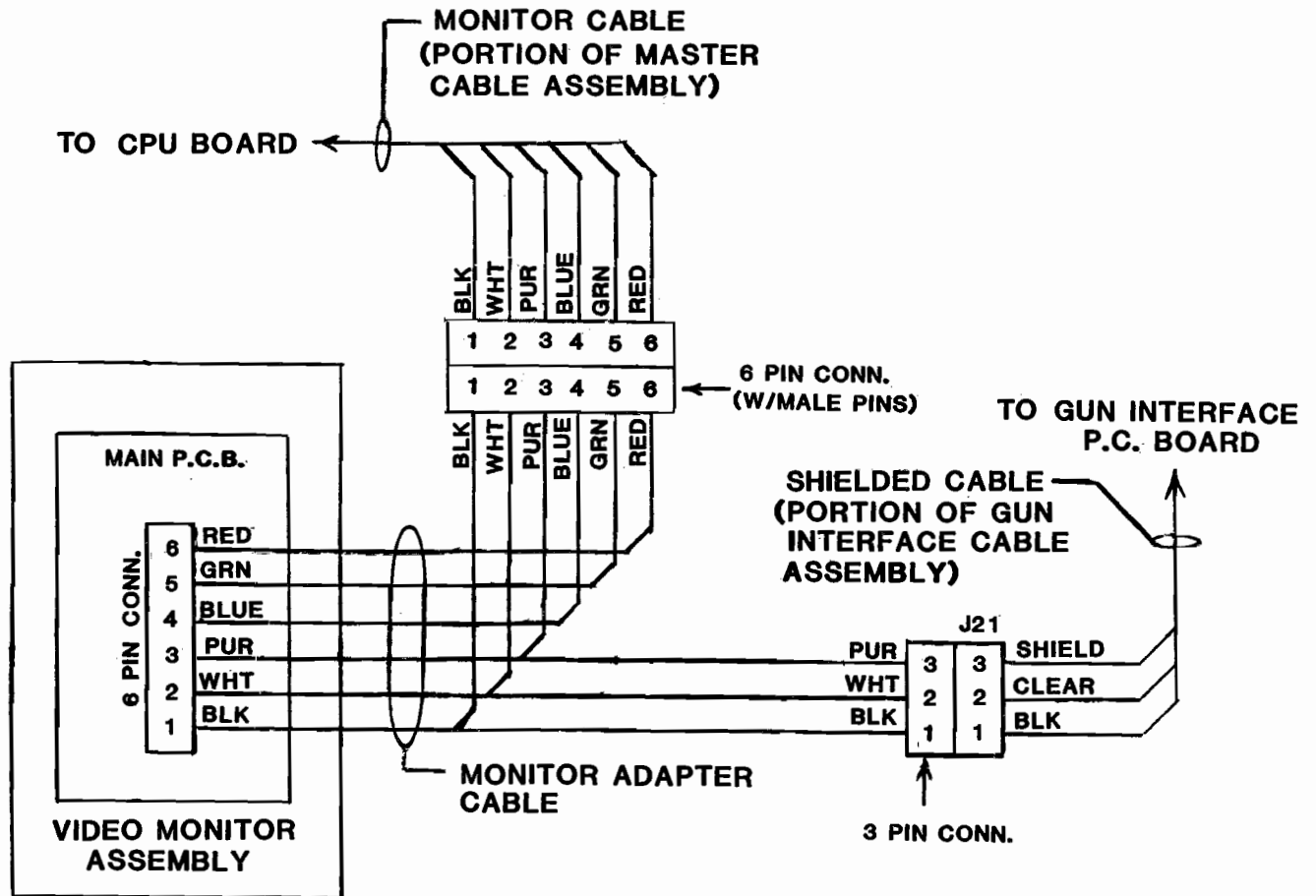
The purpose of this cable installation is to provide VSYNC & HSYNC signal paths from the existing monitor cable (part of master cable assy.) to the GUN INTERFACE P.C. BOARD of the NIGHT STOCKER control panel.

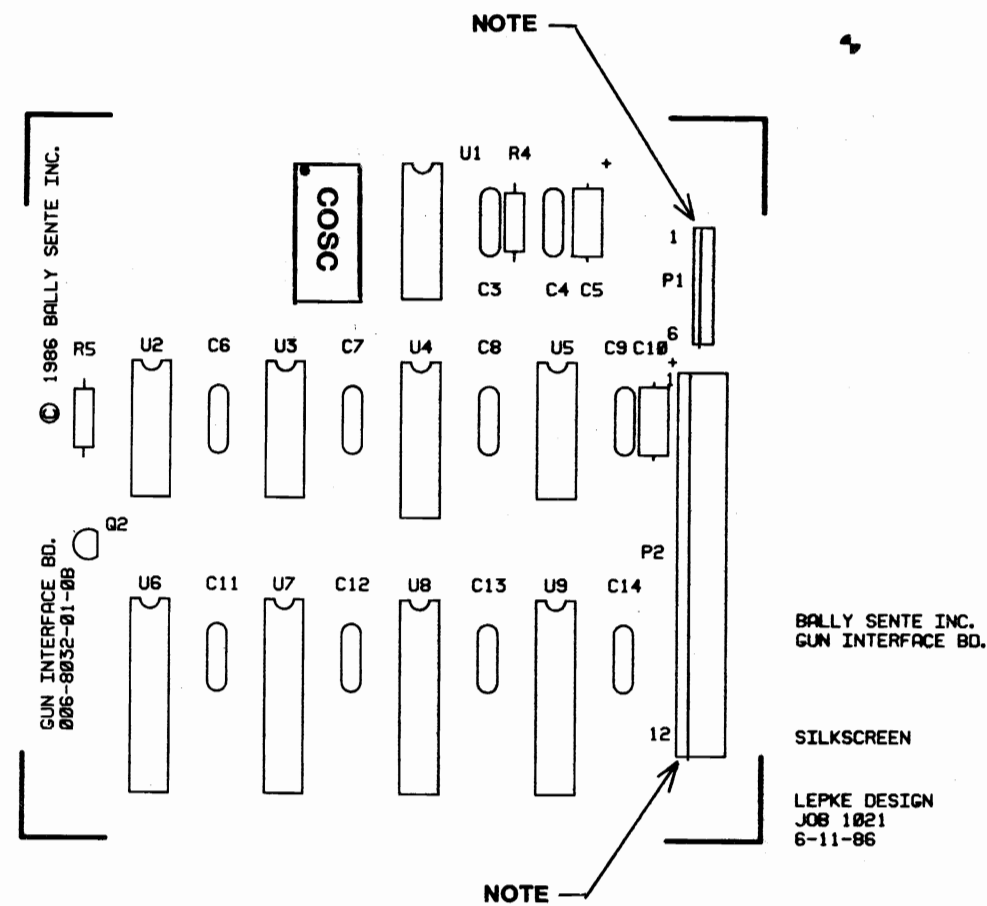
Refer to the wiring diagram (M051-00E74-A005) and also Figure A in this notice. The Monitor Adapter Cable is installed as follows:

- A. Power off your unit.
- B. Disconnect the 6 pin connector of the existing Monitor Cable (portion of the Master Cable Assembly) from the corresponding connector in the Main P.C. Board of the Video Monitor.  
**CAUTION:** The Main P.C. Board connector may be located close to the monitor picture tube. Carefully remove the Monitor Cable connector, to avoid touching the picture tube with your hand.
- C. Connect the Monitor Adapter Cable (supplied in your game kit) as follows:
  - ° Of the 3 cable connectors, two of them are polarized (fastens only one way). Fasten the polarized 6 position connector to the 6 pin connector in the Video Monitor Assembly carefully to avoid touching the picture tube with your hand. Fasten the polarized 3 position connector to the 3 position connector (J21) of the Steering Control Cable Assembly.
  - ° Fasten the non-polarized 6 position connector (with male pins) to the 6 pin connector of the Monitor Cable such that the wire colors blue (position 4), green (position 5) and red (position 6) of each cable corresponds.
- D. Use the plastic "Kurly-lok" cable clamp, provided in your game kit, to position the Monitor Adapter Cable so that it does not rest on anything "electrically hot" in the monitor area.
- E. Restore power to your unit and check out electrically.
- F. Any problems or questions call Bally Sente Service at our toll-free number 1-800-323-7182.

BALLY SENTE MONITOR  
 ADAPTER CABLE INSTALLATION NOTICE, CONTD.

FIGURE "A"





NOTE: POLARIZED TABS FACE INSIDE PCB

DESCRIPTION	QTY.	DESIGNATION	PART NUMBER
1K OHM 1/4W RESISTOR	1	R4	100E-00005-0061
4.7K OHM 1/4W RESISTOR	1	R5	100E-00005-0079
.1MF CERAMIC CAPACITOR	10	C3, C4, C6-C9, C11-C14	U300-00009-0100
2.2MF TANT. CAPACITOR	2	C5, C10	U310-00013-0100
2N3904 TRANSISTOR	1	Q2	104E-00001-0006
20.000 MHZ. COSC	1	COSC	0304-00804-0007
74LS14 I.C.	1	U5	0A15-00803-0013
74LS74 I.C.	2	U1, U2	U200-00044-0100
74LS174 I.C.	1	U4	U200-00053-0100
74LS260 I.C.	1	U3	0A28-00803-0020
PAL 16R8 (15-8032-10)	2	U6, U8	U015-08032-1000
PAL 16R8 (15-8032-11)	2	U7, U9	U015-08032-1100
20 PIN I.C. SOCKET	4	U6-U9	110E-00001-0005
6 PIN MT100 CONN.	1	P1	0017-00021-1794
12 PIN MT156 CONN.	1	P2	0017-00021-1795
RAW PCB	1	-	U007-08032-010B
* FERRITE BEAD	2	FB1,FB2	0316-00804-0002
* .01MF AX CER CAP	1	C15	0986-00800-2000
FCC MODIFICATION LIST	-	-	M051-00E74-A021

\* NOTE: THESE COMPONENTS ARE LOCATED ON SOLDER SIDE OF PCB.

THIS DWG. IS CONFIDENTIAL & PROPERTY OF BALLY/MIDWAY MFG. CO.

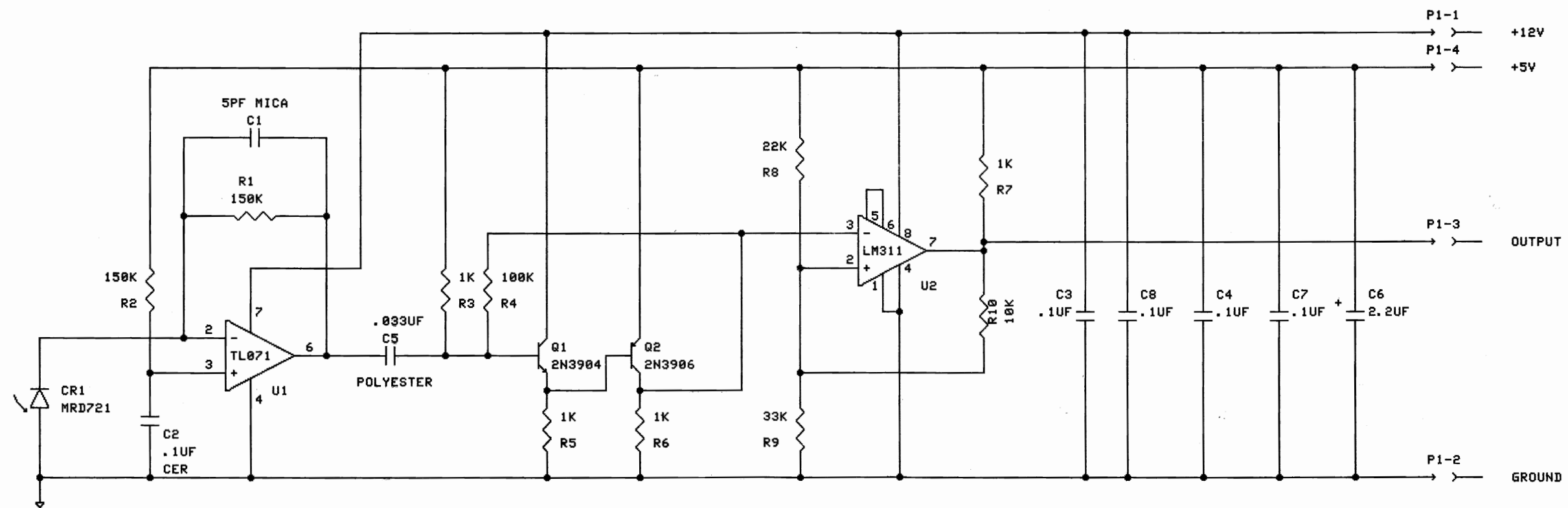
<b>DIM. TOLERANCES</b> UNLESS OTHERWISE SPEC. CONCENTRICITY T.I.R. .002 FRACTIONAL ..... ±.1/64 DECIMAL ..... ±.005 HOLE DIA. .... +.002-.000 ANGLE ..... ± 1/2° DO NOT SCALE DWG.	FIRST USED ON	NIGHT STOCKER	
	DRN	J.S.	DATE 7-7-86
	MECH. CHK.		MAT'L.
	ELEC. CHK.	J.S.	FINISH

**Bally/MIDWAY MFG. CO.**  
FRANKLIN PARK, IL 60131

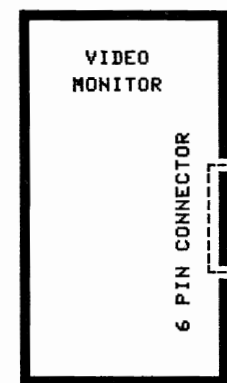
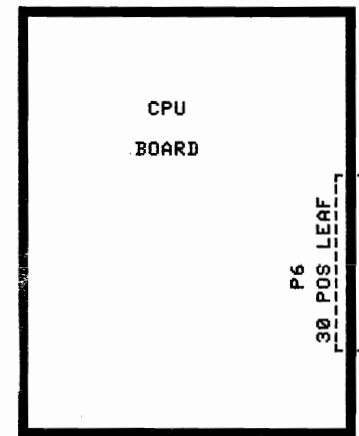
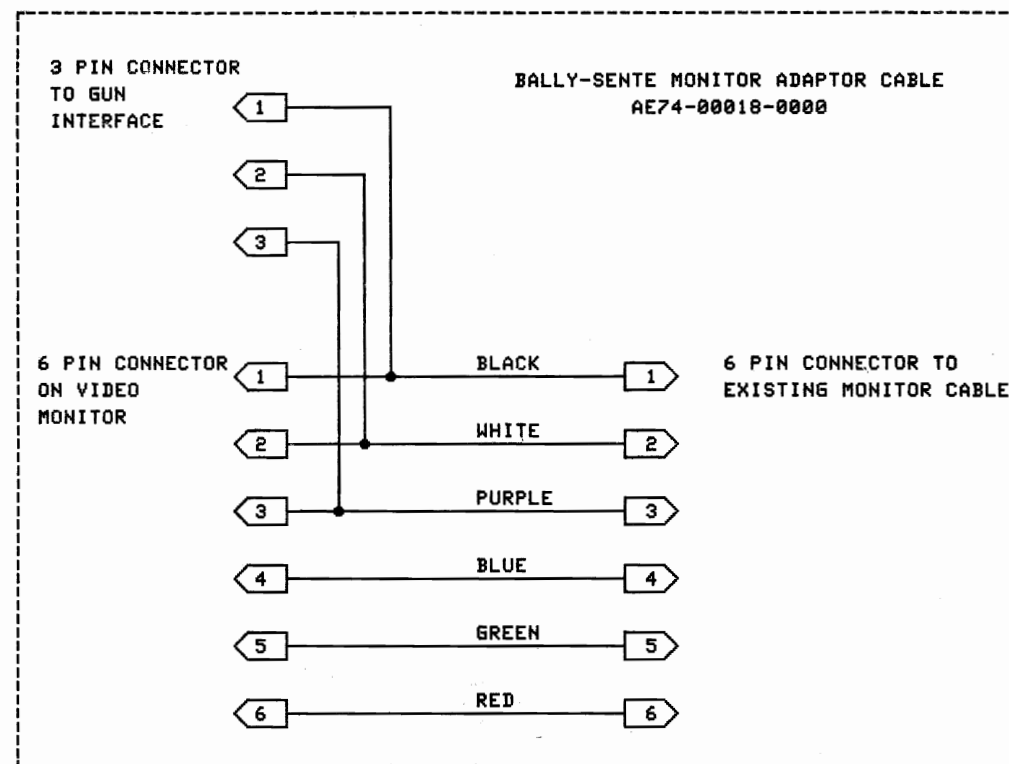
ASSEMBLY DRAWING  
GUN INTERFACE BD.  
U006-08032-010B

9/22	FERRITE BD. # CORRECTION	REV3	J.S.
9/19	FCC MODS	REV 2	J.S.
9/17	MARKED CONNECTOR TABS		J.S.
Rel for Production 7/18/86 J.S.			
<b>REVISIONS</b>			
PART NO. M-0.5.1-0.0.E.7.4-A.0.1.0			





NOTES:	BALLY MIDWAY MFG. CO.
J. SZERSZEN	
CORRECTED	
7-14-86	
	GUN OPTO BOARD
	M051-00E74-A015
	SHEET   OF   REV

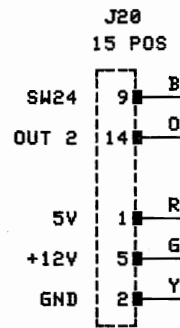
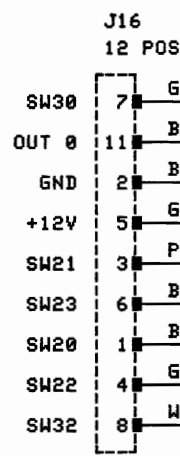
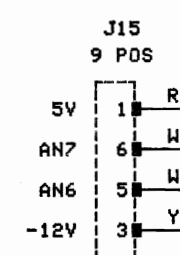


EXISTING MONITOR CABLE

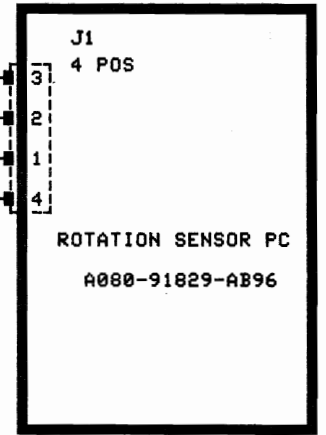
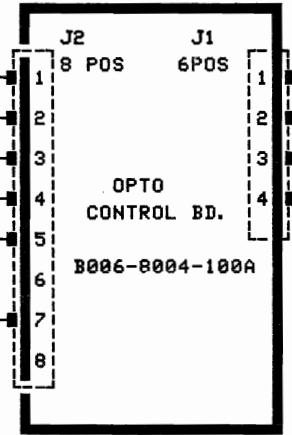
6 PIN CONNECTOR MALE PINS TO EXISTING MONITOR CABLE

BALLY-SENTE MONITOR ADAPTER CABLE\* AE74-00018-0000

\* REFER TO "BALLY-SENTE MONITOR ADAPTOR CABLE INSTALLATION NOTICE".

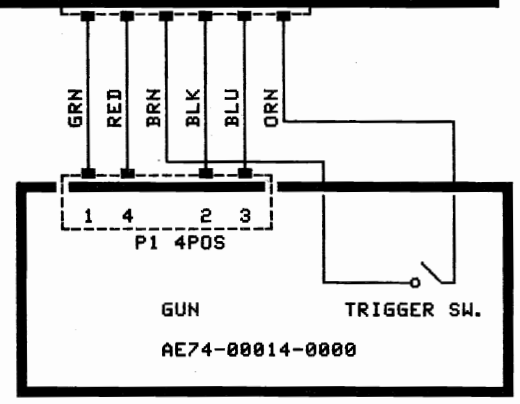
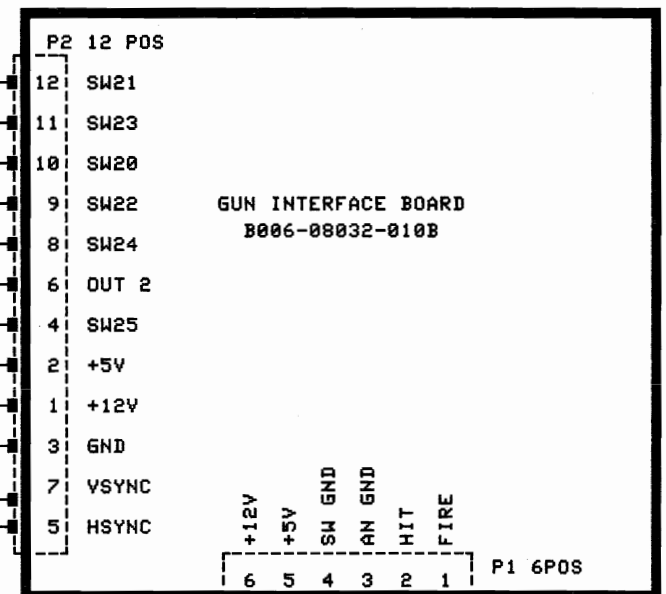


2 CONDUCTOR CABLE WITH SHIELD SHIELD CONNECTED TO J21 ONLY



10 CONDUCTOR SHIELDED CABLE

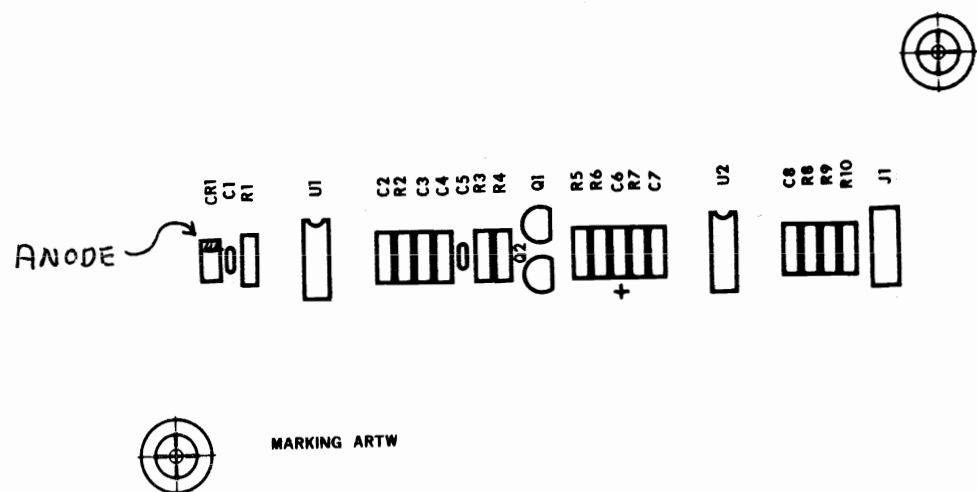
10 CONDUCTOR SHIELD CONNECTED INTERFACE BD END ONLY



REV 1 9-17-86 SHIELDED CABLES ADDED. DS

NOTES:	BALLY MIDWAY MFG. CO.
J. SZERSZEN	NIGHT STOCKER CONTROL
9/2/86	M051-00E74-A005
	SHEET 1 OF 1
	REV 1

18 SEP 86 14195 70SER/DAN/GUN/FCC 2. DRAM

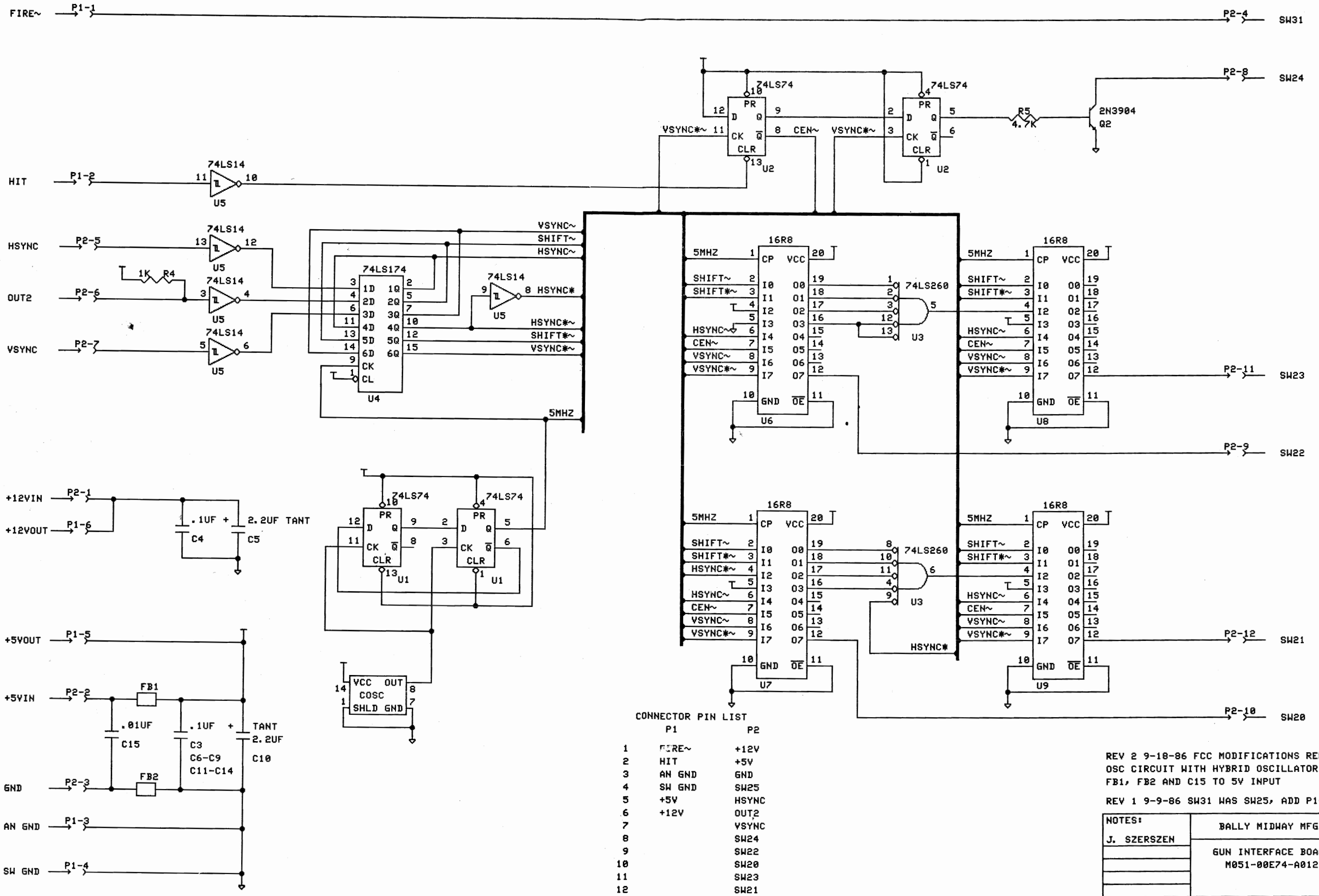


**PARTS LIST**

DESCRIPTION	QTY.	DESIGNATION	PART NUMBER
1K OHM 1/4W RESISTOR	4	R3, R5, R6, R7	100E-00005-0061
10K OHM 1/4W RESISTOR	1	R10	100E-00005-0088
22K OHM 1/4W RESISTOR	1	R8	100E-00005-0096
33K OHM 1/4W RESISTOR	1	R9	100E-00005-0100
100K OHM 1/4W RESISTOR	1	R4	100E-00005-0116
150K OHM 1/4W RESISTOR	2	R1, R2	100E-00005-0120
5 PF MICA CAPACITOR	1	C1	0E74-00800-0001
.033MF POLY. CAPACITOR	1	C5	U330-00007-0100
.1MF CER. CAPACITOR	5	C2, C3, C4, C7, C8	U300-00009-0100
2.2MF TANT. CAPACITOR	1	C6	U310-00013-0100
MRD721 PHOTO DIODE	1	CR1	119E-00003-0005
2N3904 TRANSISTOR	1	Q1	104E-00001-0006
2N3906 TRANSISTOR	1	Q2	104E-00002-0003
LM 311 I.C.	1	U2	0E74-00803-0002
TL 071 I.C.	1	U1	0E74-00803-0001
4-PIN RT. ANGLE CONN.	1	J1	0017-00021-1796
RAW PCB	1	-	U007-08031-010C

THIS DWG. IS CONFIDENTIAL & PROPERTY OF BALLY/MIDWAY MFG. CO.

<b>DIM. TOLERANCES</b> UNLESS OTHERWISE SPEC. CONCENTRICITY T.I.R. .002 FRACTIONAL ..... ±.1/64 DECIMAL ..... ±.005 HOLE DIA. .... +.002-.000 ANGLE ..... ± 1/2° <b>DO NOT SCALE DWG.</b>	FIRST USED ON	NIGHT STOCKER		<b>Bally/MIDWAY MFG. CO.</b> FRANKLIN PARK, IL 60131	24 ADDED DRAWG POL. CR1 + C6	
	DRN	J.S.	DATE		7-7-86	Rel For Production 7/86 J.S.
	MECH CHK.	~	MATL.	~	<b>ASSEMBLY DRAWING</b> GUN OPTO BD. U006-08031-010B	<b>REVISIONS</b>
	ELEC. CHK.	J.S.	FINISH	~		PART NO. M-0-5-1-0-0-E-7-4-A-0-1-3



CONNECTOR PIN LIST

P1	P2
1	FIRE~
2	HIT
3	AN GND
4	SW GND
5	+5V
6	+12V
7	HSYNC
8	OUT2
9	VSYNC
10	SW20
11	SW23
12	SW21

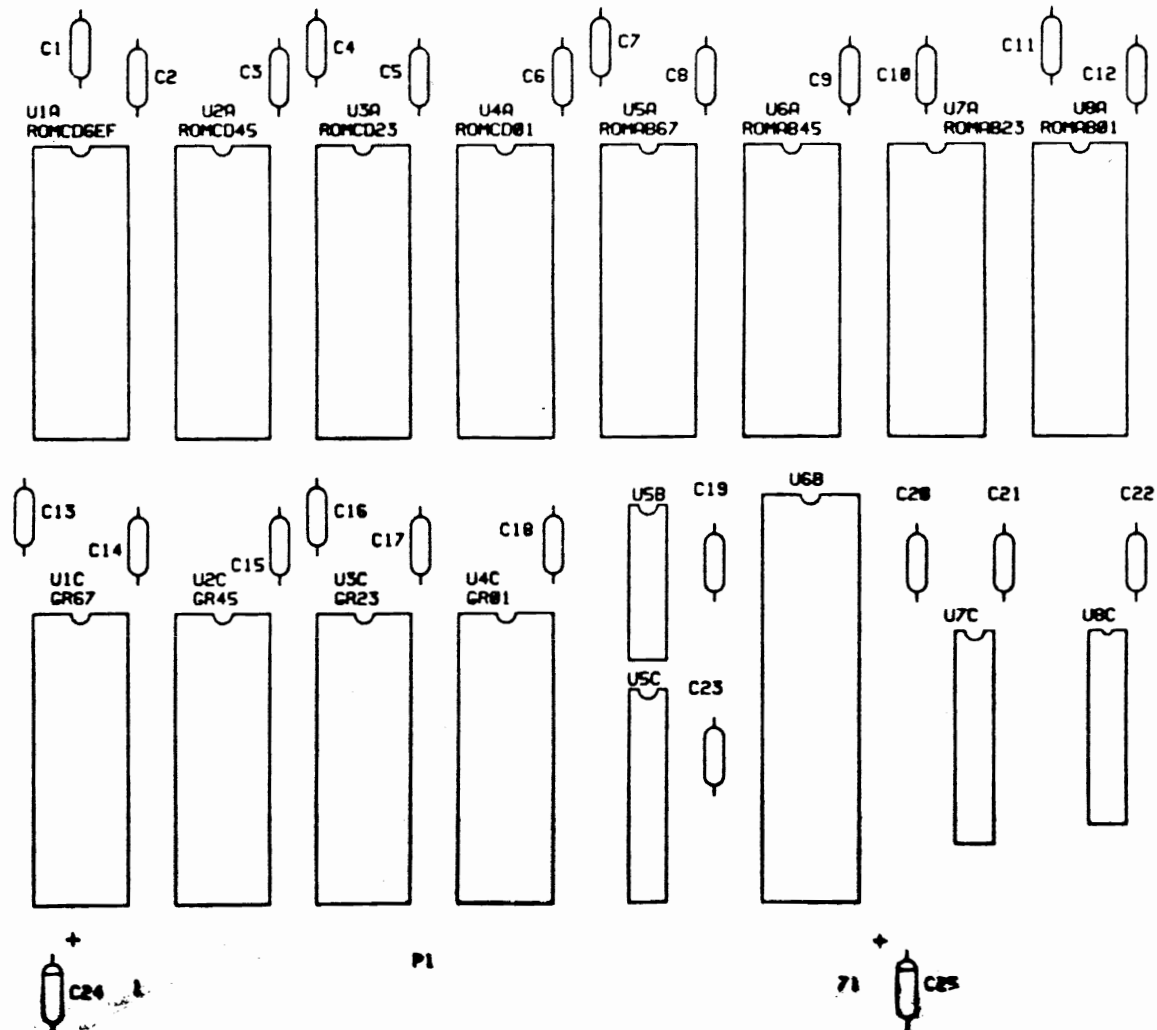
REV 2 9-18-86 FCC MODIFICATIONS REPLACE OSC CIRCUIT WITH HYBRID OSCILLATOR, ADD FB1, FB2 AND C15 TO 5V INPUT  
 REV 1 9-9-86 SW31 WAS SW25, ADD P1-5

NOTES:	BALLY MIDWAY MFG. CO.
J. SZERSZEN	GUN INTERFACE BOARD
	M051-00E74-A012
	SHEET 1 OF 1
	REV 2

UN-PROG CARTRIDGE 128K W/SECURE CHIP  
A082-91834-A000  
(SENTE BOARD NO. 006-8027-01-0B)

CROSS REFERENCE LIST

<u>DESCRIPTION</u>	<u>QTY.</u>	<u>REFERENCE NO.</u>	<u>PART NOS.</u>
PCB	1		A080-91834-A000
74LS139	1	U5R	U200-00049-0100
74LS245	1	U5C	U200-00056-0100
RAM NOV	1	U8C	U230-00007-0100
ST 1002 SECURITY CHIP	1	U6R	U260-00050-010A
CAP CER. .1M 50V 20%	23	C1-C23	U300-00009-0100
CAP TANT. 2.2MF 10V 20%	2	C24,C25	U310-00013-0100
SOCKET 28 PIN	12	U1A-U8A,U1C-U4C	110E-00001-0010
SOCKET 20 PIN	1	U7C	U510-00017-0100
SOCKET 40 PIN	1	U6R	110E-00001-0011
CONNECTOR AMP 2-102584-0	1	P1	U550-00064-0100



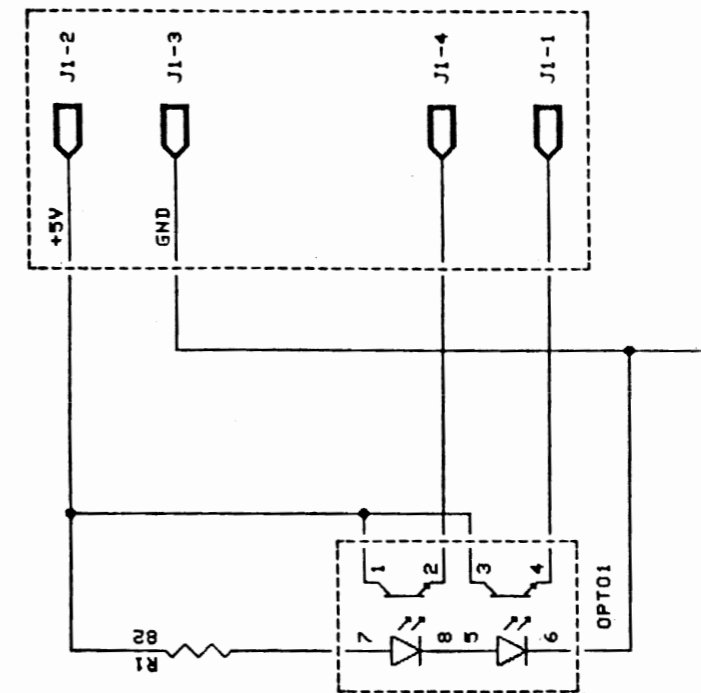
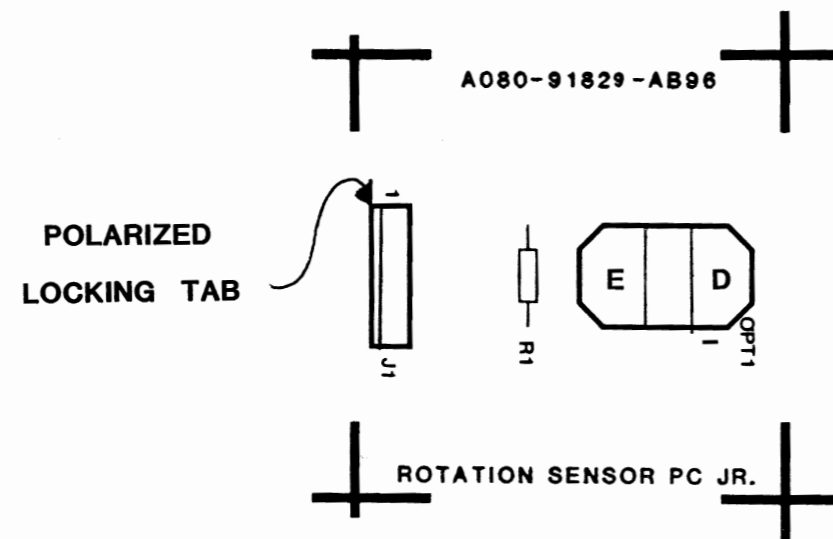
REV: Revisions due  
to type errors  
on 1/17/86. *arl*  
2-20-86  
M051-00114-A144

DESIGNATION LIST

<u>DESIGNATION</u>	<u>DESCRIPTION</u>
R1	82 OHM
OPTO 1	OPTO SWITCH DUAL
J1	4 PIN HEADER ASSY.
PCB	ROTATION SENSOR PCB

CROSS REFERENCE

<u>DESCRIPTION</u>	<u>QTY.</u>	<u>DESIGNATION</u>	<u>PART NUMBER</u>
82 OHM	1	R1	100E-00005-0031
OPTO SWITCH DUAL	1	OPTO 1	<b>0E74-00804-0001</b>
4 PIN HEADER ASSY.	1	J1	0017-00021-1264
ROTATION SENSOR PCB	1	<b>PCB</b>	A080-91829-AB96



NOTES:	BALLY MIDWAY MFG. CO.
J. BOYDSTON	SCHEMATIC DRAWING
09/10/85	ROTATION SENSOR P. J.
	A084-91829-AB96
	M051-00B96-A011
	SHEET 1 OF 1
	REV

