

PIN PONG

Operation and Maintenance Manual





Job Title P.C. BOARD ASSEMBLY
PIN PONG - 60 HZ

Dwg. P/L 001660-01

Part List Specification sheet 1 of 2

Drawn Cynthia
Checked
Mech. Eng. [Signature]
Proj. Eng. [Signature] Elec. Eng. [Signature]
Rev. 5

Rev.	Description	Apprv.	Rev.	Description	Apprv.
C	PROD. REL	[Signature]			
D	REV PER ECN 751, 811, 812	[Signature]			
E	Rev per ECN 926	[Signature]			
F	Rev per ECN 971	[Signature]			
G	REV PER ECN 1071	[Signature]			

Item	Part. No.	Qty.	Description
1	72062/37-74L00	1	Integrated Circuit, 74L00
2	72000/37-7400	8	" " 7400
3	72001/37-7402	7	" " 7402
4	72002/37-7404	5	" " 7404
5	72027/37-7408	8	" " 7408
6	72003/37-7410	7	" " 7410
7	72061/37-7414	1	" " 7414
8	72004/37-7420	5	" " 7420
9	72006/37-7427	2	" " 7427
10	72007/37-7430	2	" " 7430
11	72064/37-7432	1	" " 7432
12	72008/37-7448	1	" " 7448
13	72010/37-7474	20	" " 7474
14	72059/37-7485	2	" " 7485
15	72012/37-7486	8	" " 7486
16	72013/37-7490	4	" " 7490
17	72014/37-7493	3	" " 7493
18	72015/37-74107	4	" " 74107
19	72016/37-74153	2	" " 74153
20	72060/37-74164	1	" " 74164
21	72035/37-74193	5	" " 74193
22	72024/37-9312	4	" " 9312
23	72036/37-9314	3	" " 9314
24	72017/37-9316	3	" " 9316
25	72031/37-9321	1	" " 9321
26	72025/37-9322	4	" " 9322
27	72026/37-9602	1	" " 9602
28	72057/37-LM323K	1	LM323K
29	72048/37-LM380	1	" " LM380
30	72058/37-MC4024	1	" " MC4024
31	72042/37-MFC6040	1	" " MFC 6040
32	72040/37-CD4016	1	" " CD4016
33	72021/37-NE566	1	" " NE566
34	22103/19-311103	1	Trimpot, 10K
35	22502/19-311502	1	Trimpot, 5K
36	22105/19-311105	1	Trimpot, 1M
37	37000/24-160802	1	Capacitor, Electrolytic, 8,000 uf, 16V

PARTS LIST SPECIFICATION

Dwg. P/L 001660-01

Title PCB ASSY. - PIN PONG - 60 HZ

sheet 2 of 2

Rev. G

Item	Part No.	Qty.	Description
38	35503/24-250501	3	Capacitor, Electrolytic, 500 uf, 25V
39	35254/24-060251	1	" " 250 uf, 6V
40	39100/29-001	2	" Tantalum, 100 uf, 10V
41	35506/24-250100	2	" Electrolytic, 10 uf, 25V
42	35472/24-100050	2	" " 5 uf, 16V
43	35508/24-250010	1	" " 1 uf, 25V
44	34101/27-101104	16	" Ceramic, Disc, .1 uf
45	32221/27-101224	1	" Mylar, .22 uf
46	30332/28-101471	1	" Mica, 470 pf
47	30101/28-101101	1	" " 100 pf
48	30102/28-101221	6	" " 220 pf
49	71001/31-1N4001	6	Diode, 1N 4001
50	31-1N1612	2	Diode, 1N 1612
51	71000/31-1N914	15	Diode, 1N 914
52	71020/32-1N5237	1	Diode, 1N 712 (or 1N 5237), 8.2V Zener
53	70009/34-2N5190	1	Transistor, 2N 5190
54	70000/34-2N3643	3	Transistor, 2N 3643
55	70001/34-2N3544	1	Transistor, 2N 3644
56	19100/19-808W4PO	1	Resistor, 10 Watt, 4 ohm
57	12103/11-0151	1	" 1/2 Watt, 150 ohm
58	11270/19-839C2P7	1	" Carbon, ±5 %, 1/4 Watt, 2.7 ohm
59	11123/10-5123	1	" " " 12K ohm
60	10101/10-0101	4	" " ±10%, " 100 ohm
61	10151/10-0151	1	" " " 150 ohm
62	10221/10-0221	2	" " " 220 ohm
63	10271/10-0271	3	" " " 270 ohm
64	10331/10-0331	7	" " " 330 ohm
65	10102/10-0102	24	" " " 1K ohm
66	10103/10-0103	2	" " " 10K ohm
67	10153/10-0153	2	" " " 15K ohm
68	10181/10-0181	1	" " " 180 ohm
69	10472/10-0472	4	" " " 4.7K ohm
70	10273/10-0273	1	" " " 27K ohm
71	10473/10-0473	1	" " " 47K ohm
72	75103/75-916S	2	Nut, Hex, H6
73	75100/72-1610C	2	Screw, Pan Head, SS, #6-32 x 5/8
74	75101/75-056	4	Washer, Internal Star, #6
75	75102/75-016C	2	Washer, Flat, #6
76	75188/75-1408C	3	Screw, Machine, Pan Hd., #4-40 x 1/2", SS
77	75164/75-914S	3	Nut, Hex, #4-40
78	75194/75-054	5	Washer, Internal Tooth Lock, #4-40
79	75163/75-014S	2	Washer, Flat, #4-40
80	60000/69-001	3	Switch, DPDT
81	81001/90-101	1	Crystal
82	83014/78-06001	1	Wakefield Heatsink
83	001925	1	Printed Circuit Board, Revision C
84	79-20102	7	Useco 2006B Terminals
85	79-58017	1	6 Pin Polarized Male P.C. Conn.
86	001992	1	Heatsink, Diode
87	78-16002	A/R	Thermal Conductive Compound
88	57-216	2	Buss Wire, #16AWG, 1 1/4" Long
89	75-050	2	Washer, Internal Tooth Lock, #10
90	75-910S	2	Nut, Hex, #10-32
91	24-100105	1	Capacitor, Electrolytic, 1 uf, 10V
92	10-0222	1	RESISTOR, CARBON, 10%, 1/4W, 2.2K OHM



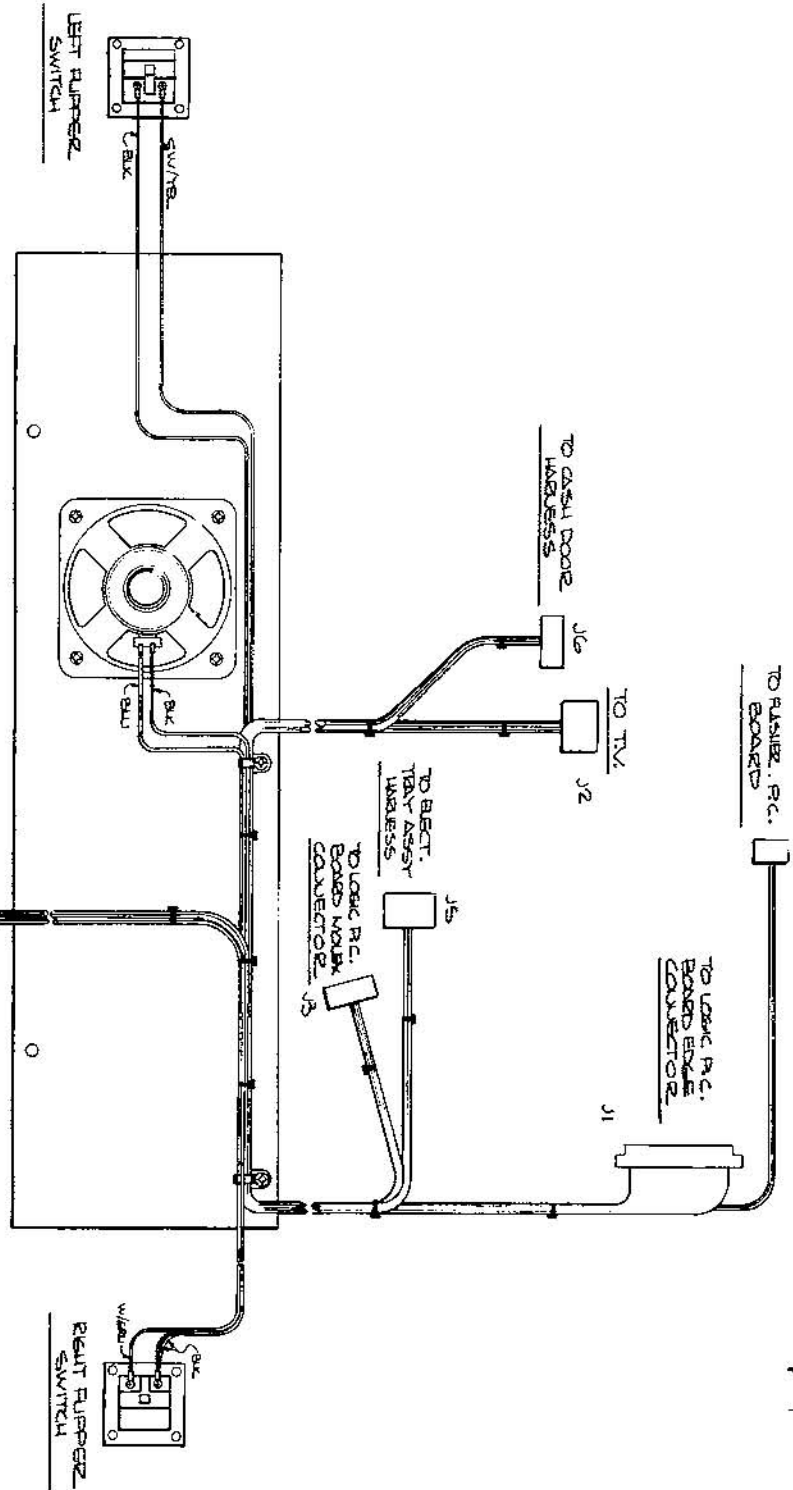
PARTS LIST SPECIFICATION Page 1 of 1

Drawn	
Checked	Mech. Eng. <i>[Signature]</i>
Proj. Eng. <i>Larry Deppe</i>	Elec. Eng. <i>[Signature]</i>
	REV. B

Rev.	Description	Date	Apprv.	Rev.	Description	Date	Apprv.
A	PROD REL	10/7/74	<i>[Signature]</i>				
B	REV PER ECN 893	10/21/74	<i>[Signature]</i>				

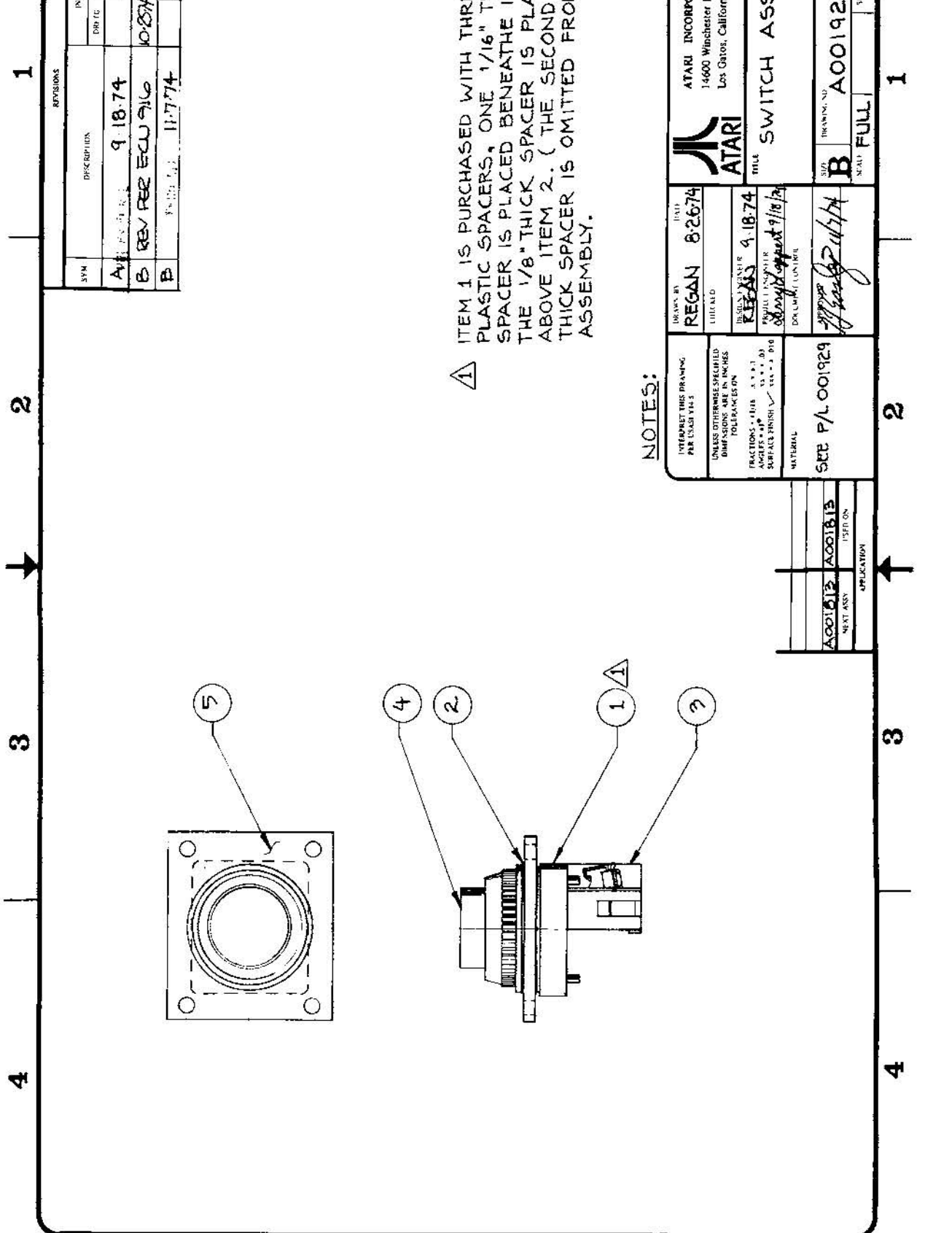
Item	Part Number	Qty.	DESCRIPTION
1	001551	1	Transformer
2	42-70102	1	Transformer
3	90-3001	1	Linefilter
4	79-3201	1	Fuse Holder
5	46-20120	1	Fuse, 2A, Slo-Blo
6	68-001	1	Interlock Switch
7	000268	1	Interlock Switch Bracket
8	72-6608	20	Screw, Sheet Metal, #6, Pan Hd., Phil., 1/2"
9	001998	1	Transformer Cover
10	71-301	1	Staple
11	54-401	1	Line Cord
12	002439	1	Harness
13	47-1001	1	Coin Counter
14	75-2824S	1	Machine Screw, #8 x 1 1/2"
15	75-918S	2	8-32 Nut
16	75-018S	3	Washer, #8
17	A001995	1	Tray, Electronics
18	A001920	1	Harness, Voltage Selection
19*	A001921-01	A/R	Shorting Block, 95V
20*	A001921-02	A/R	Shorting Block, 110V
21*	A001921-03	A/R	Shorting Block, 220V (High Line)
22*	A001921-04	A/R	Shorting Block, 220V (Low Line)
23	75-8808	4	Screw, Wood, Flat Hd., Phil., #8 x 1/2" Lg.
24	78-25001	A/R	Cable Clamp
25	000871	1	Label
26	79-20101	1	Molex Male Pin 02-09-2011
27	79-58019	1	Molex Plug 03-09-2118

*Install Shorting Block per voltage required



REVISING		INITIALS AND DATE	
SYM	DESCRIPTION	DRY TO	ENCL. E
A	PROD REL	0-1-74	BC

INTERPRET THIS DRAWING: PER STANDARD PRACTICES UNLESS OTHERWISE SPECIFIED DIMENSIONS ARE IN INCHES TOLERANCES ON:		DRAWN BY DC	DATE 0-11-74
DIMENSIONS: .015 .010 .010 ANGLES: .010 .010 .010 FINISH: .010 .010 .010 MATERIAL:		CHECKED BY DC	DESIGN ENGINEER DC
PROJECT CONTROL APPROVED BY [Signature]		ATARI INCORPORATED 1400 Winchester Boulevard Los Gatos, California 95030	
TITLE HARNESS INSTALLATION DRAWING		SIZE D	DRAWING NO. 002446
SCALE 1/2" = 1"		SHEET 1	REV A



⚠ ITEM 1 IS PURCHASED WITH THREE PLASTIC SPACERS, ONE 1/16" THICK SPACER IS PLACED BENEATH ITEM 5. THE 1/8" THICK SPACER IS PLACED ABOVE ITEM 2. (THE SECOND 1/16" THICK SPACER IS OMITTED FROM THE ASSEMBLY.)

NOTES:

INTERPRET THIS DRAWING PER UNAS 114.5
 UNLESS OTHERWISE SPECIFIED DIMENSIONS ARE IN INCHES
 TOLERANCES ON
 FRACTIONS - .010 .015 .03
 ANGLES - .01 .02 .03
 SURFACE FINISH - .0005 .001 .010
 MATERIAL
 SEE P/L 001929

SYM	DESCRIPTION	INITIALS and DATE		
		DRW'G	CHG'D	INSTR.
A	9-18-74			EC
B	REV PER ECU 9/16	10-27-74		EC
B	11-7-74			EC

ATARI
 ATARI INCORPORATED
 14600 Winchester Boulevard
 Los Gatos, California 95030

TITLE SWITCH ASSEMBLY

DATE 8-26-74
 DRAWN BY REGAN
 CHECKED BY REGAN
 PROJECT ENGINEER
 SURFACE FINISH 9/16/74
 DR. L. W. L. CONTROL

ATARI INCORPORATED
 14600 Winchester Boulevard
 Los Gatos, California 95030

REV B
 DRAWING NO. A001929
 SHEET 1 OF 1

A001929	USED ON
NEXT ASSY	APPLICATION



Job Title SWITCH ASSEMBLY
PIN PONG

Dwg. P/L 001929

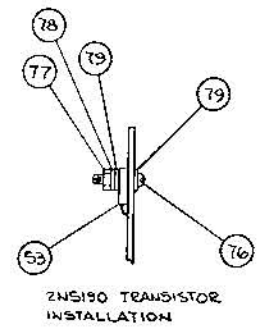
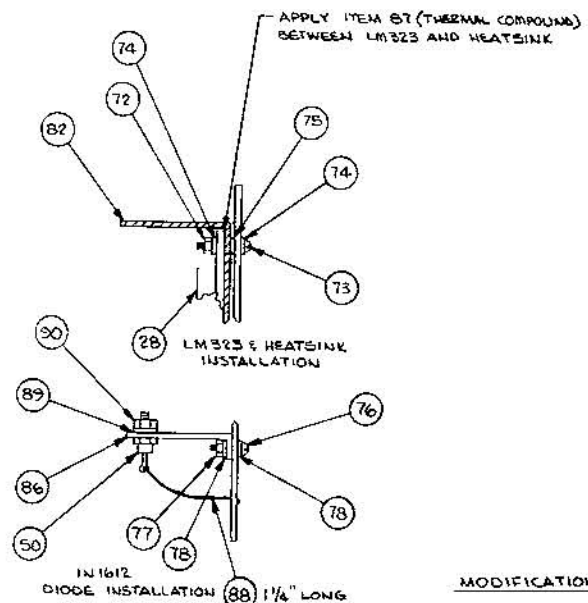
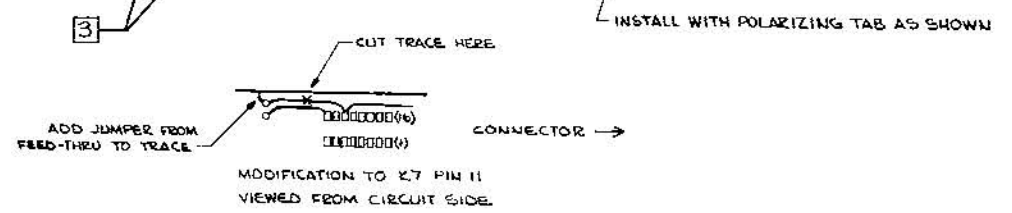
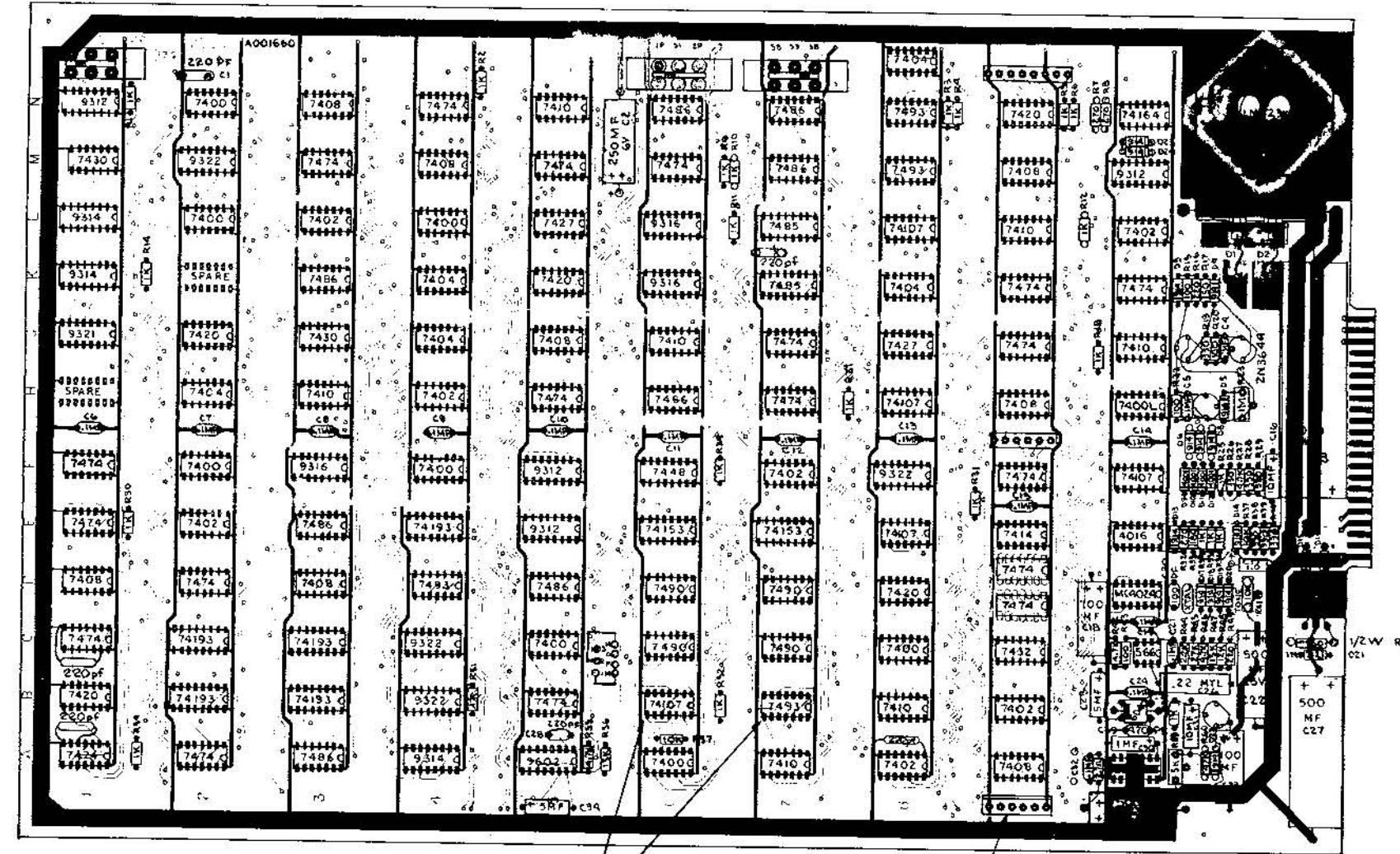
Parts List Specification sheet 1 of 1

Drawn Cynthia		
Checked	Mech. Eng. <i>BEN CHEN</i>	Rev.
Proj. Eng.	Elec. Eng. <i>Larry Leppert</i>	B

Rev.	Description	Apprv.	Rev.	Description	Apprv.
A	PRE PROD REL 9/23/74	<i>RC</i>			
B	Rev per ECN 916 10/25/74	<i>RC</i>			
B	PROD REL 11/7/74	<i>RC</i>			

Item	Part. No.	Qty.	Description
1	60013/60-0102	1	Switch, Push-button, Rundel (#R2)
2	60011/60-0301	1	Ring, Anti-Rotation (#SA 19)
3	60012/60-0401	1	Contact Block, SPST, N.O.
4	60014/60-0202	1	Cap, Switch (Yellow), #AY 1
5	001819	1	Bracket, Mounting, Control

REV.	BY	DATE	DESCRIPTION
C		9/17/74	PRODUCTION RELEASE
D		11/9/74	REV. PER. ECN 751, 81, 812
E		11/24/74	REV. PER. ECN 526
F		11/24/74	REV. PER. ECN 521
G		1/6/75	REV. PER. ECN 1071



- MODIFICATION LIST**
1. ADD 220 pf CAPACITOR BETWEEN PINS 5 AND 7 OF A1.
 2. ADD 220pf CAPACITOR BETWEEN PINS 7 AND 13 OF C1.
 3. ON CIRCUIT SIDE OF BOARD, CUT TRACE TO K7 PIN 11 AND JUMPER TO ADJACENT TRACE AS SHOWN.
 4. ADD 220pf CAPACITOR BETWEEN PIN 1 OF A8 AND GND BUSS.

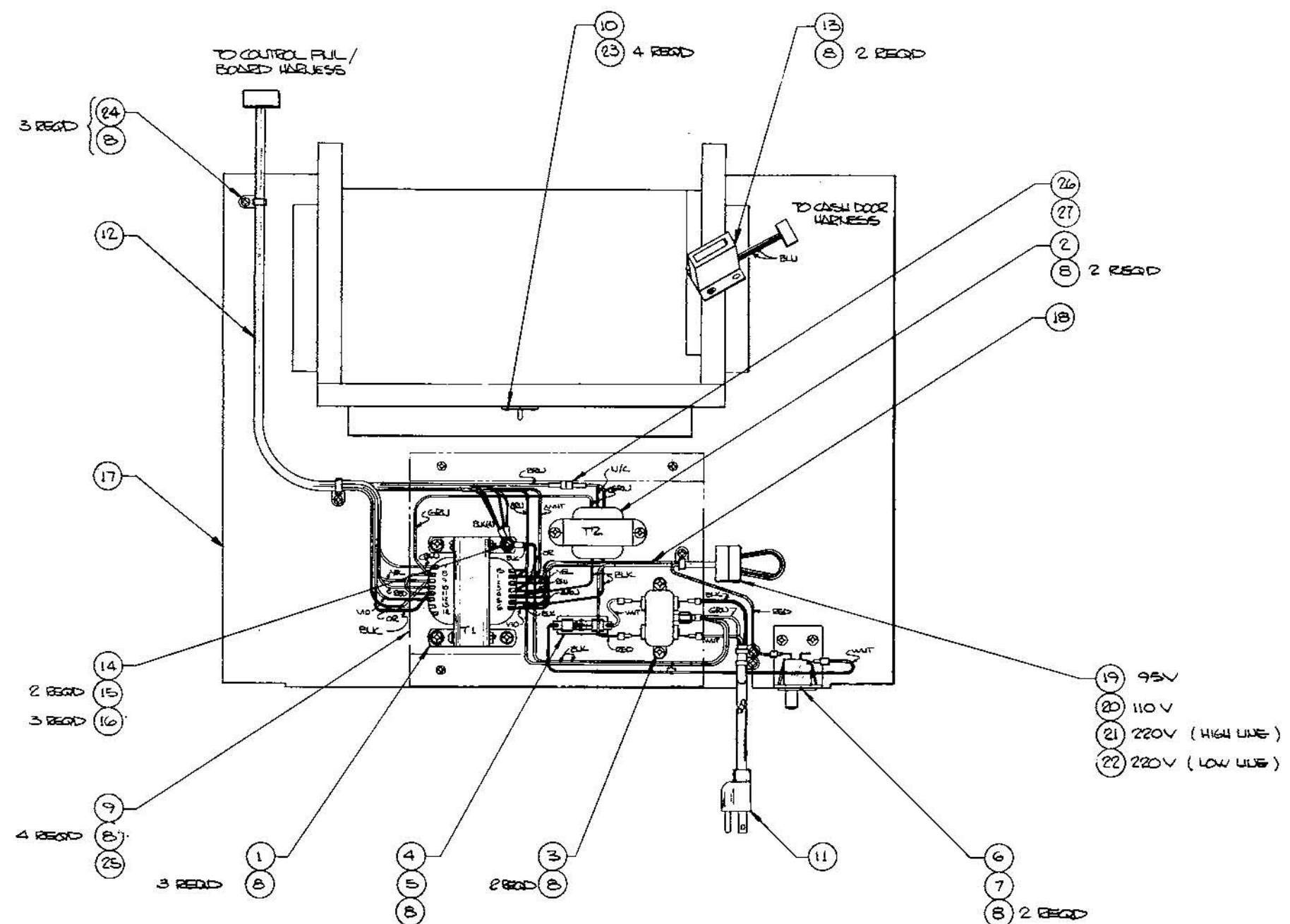
4. FOR 60HZ, SEE P/L 001660-01.
FOR 50HZ, SEE P/L 001660-02.
3. INTEGRATED CIRCUITS 86 (74107) AND 87 (7493) ARE LOADED FOR 50HZ OPERATION ONLY.
2. ALL TRANSISTORS ARE 2N3643.
1. ALL DIODE ARE IN914.
- NOTES: UNLESS OTHERWISE SPECIFIED.

REV.	BY	DATE	DESCRIPTION
C		9/17/74	PRODUCTION RELEASE
D		11/9/74	REV. PER. ECN 751, 81, 812
E		11/24/74	REV. PER. ECN 526
F		11/24/74	REV. PER. ECN 521
G		1/6/75	REV. PER. ECN 1071

INTERPRET THIS DRAWING PER ASAD 1117	PCS	9/2/74	ATARI INCORPORATED 14600 Winchester Boulevard Los Gatos, California 95030
UNLESS OTHERWISE SPECIFIED, DIMENSIONS ARE IN INCHES. TOLERANCES ARE:			
FRAMES: .005			
HOLE DIA: .001			
PLACEMENT: .005			
MATERIAL: 60HZ P/L 001660-01 50HZ P/L 001660-02			ASSEMBLY PIN PONG (50HZ/60HZ)
	B	A001660	A

8 7 6 5 4 3 2 1

REVISIONS				
SYM	DESCRIPTION	INITIALS and DATE		
		DRFT	CHECK	ENGR
A	FROD REL	10/9/74	10/9/74	
B	REVISED PER. ECN 853	10/9/74	10/9/74	



D
C
B
A

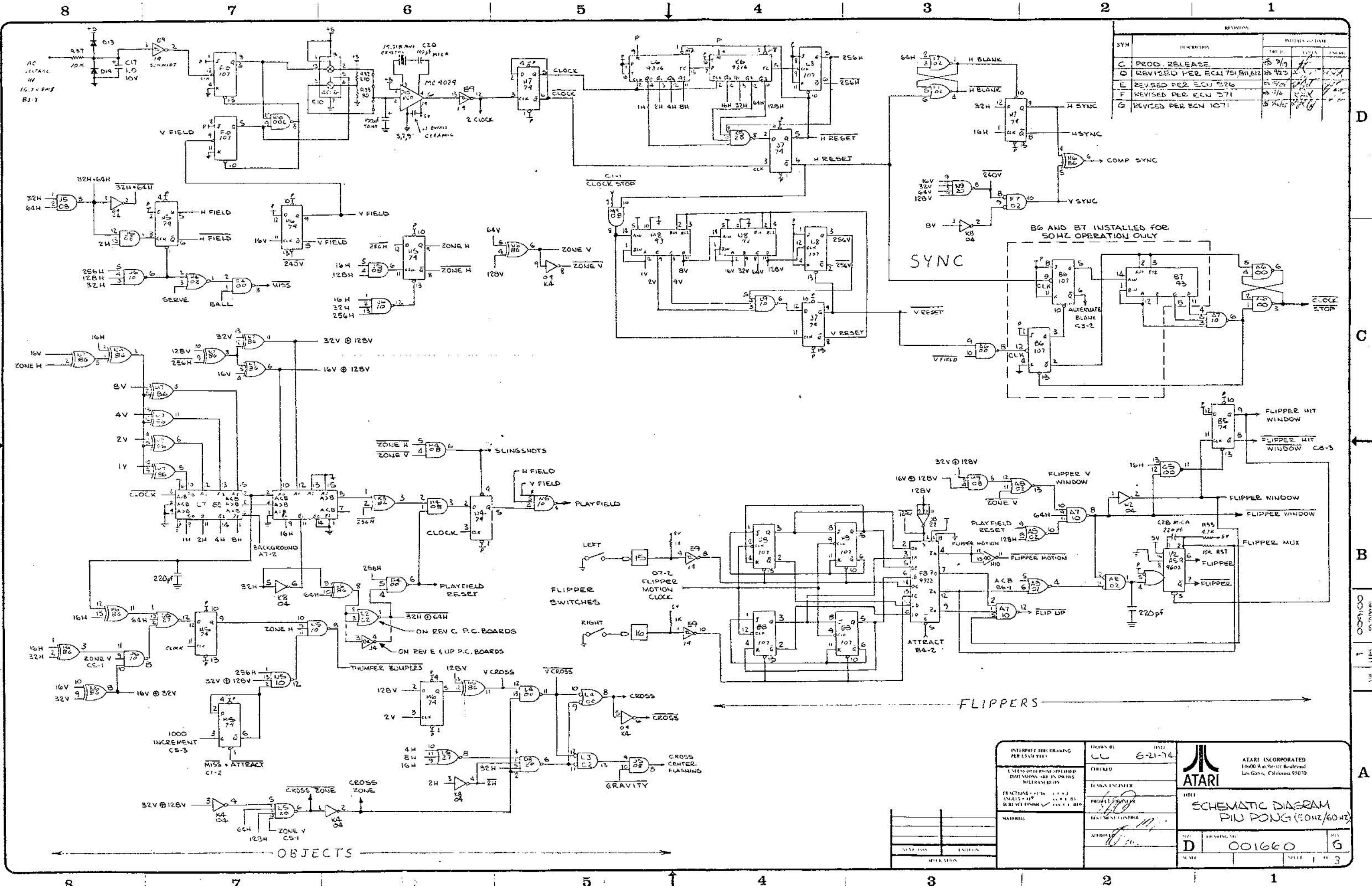
D
C
B
A

DRAWING NO
1001927
SHEET
1
OF
8

NOTICE TO ALL PERSONS RECEIVING THIS DRAWING
CONFIDENTIAL: Supersedes Forfeiture notice. The
written permission of Atari Inc., San Jose, California
This drawing is not to be used, copied, or altered without
the written permission of Atari Inc. It is the property of Atari Inc.
and is loaned to you for your use only. It is not to be
reproduced, distributed, or otherwise made available to
any other person without the written permission of Atari Inc.
If you have any questions concerning this drawing, please
contact the person who loaned it to you.

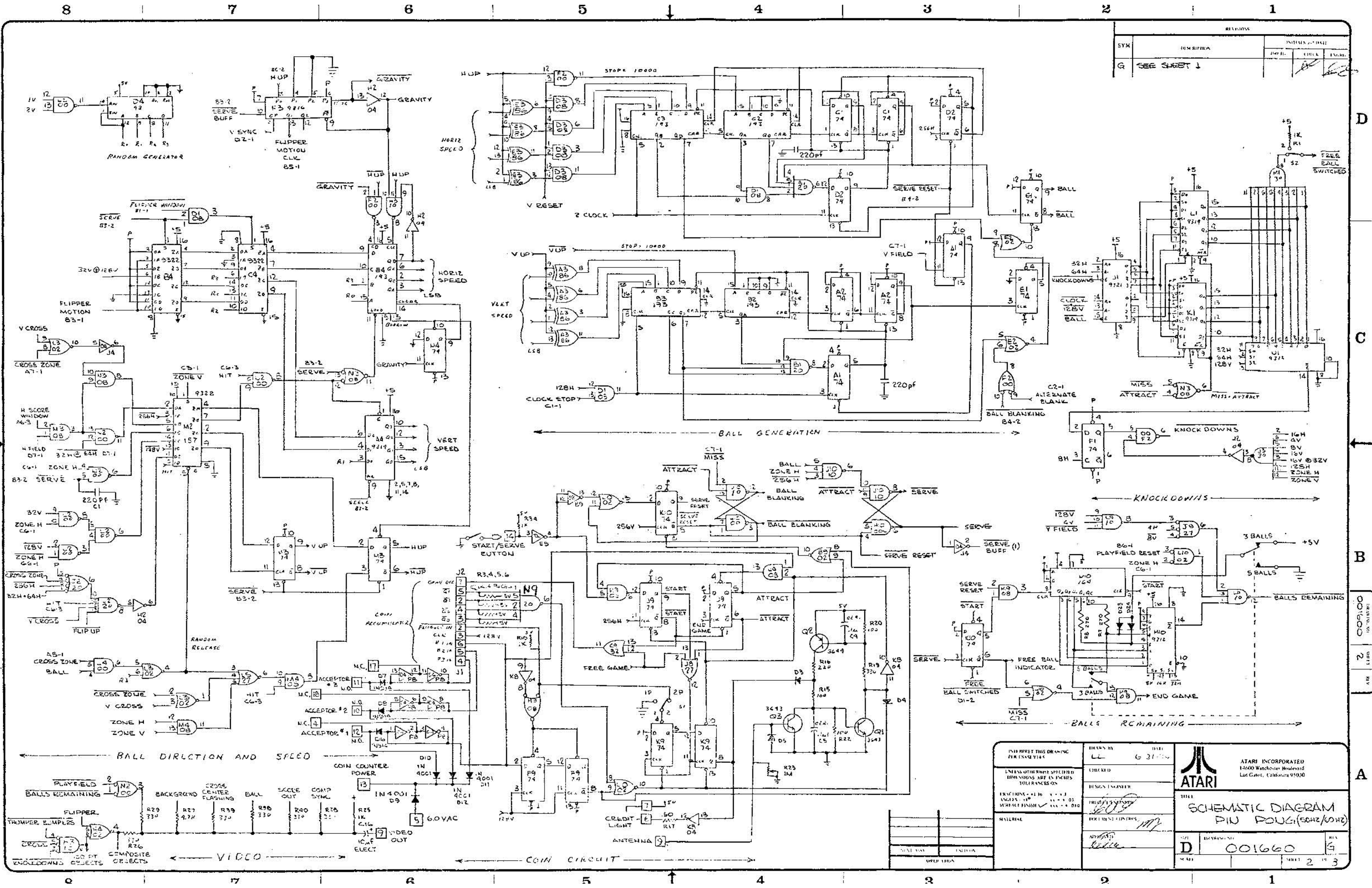
DATE	BY	REASON
10/9/74	DC	ISSUED ON

INTERPRET THIS DRAWING PER USASI 114.5	DRAWN BY DC	DATE 10/9/74	<p>ATARI INCORPORATED 14600 Winchester Boulevard Los Gatos, California 95030</p>
UNLESS OTHERWISE SPECIFIED DIMENSIONS ARE IN DECIMALS TOLERANCES ON:	CHECKED BY RC	DESIGN ENGINEER RC	
FRACTIONS - 1/16 3/32 1/8 1/4 3/8 1/2 3/4 1	PROJECT ENGINEER D. J. ...	DATE 10/10/74	TITLE ASSEMBLY ELECTRONICS TRAY
SURFACE FINISH - 125 - 0.015	DOCUMENT CONTROL		SIZE D
MATERIAL: SEE P. 001927	APPROVED BY D. J. ...		DRAWING NO 1001927
			SCALE 1/2
			SHEET 1 OF 1



REVISION		DATE	INITIALS	DATE
SYM	DESCRIPTION	DATE	INITIALS	DATE
C	PROD. RELEASE	8/9/74		
D	REVISED PER ECN 751, 84, 812	10/9/74		
E	REVISED PER ECN 826	11/29/74		
F	REVISED PER ECN 871	1/16/75		
G	REVISED PER ECN 1071	5/14/75		

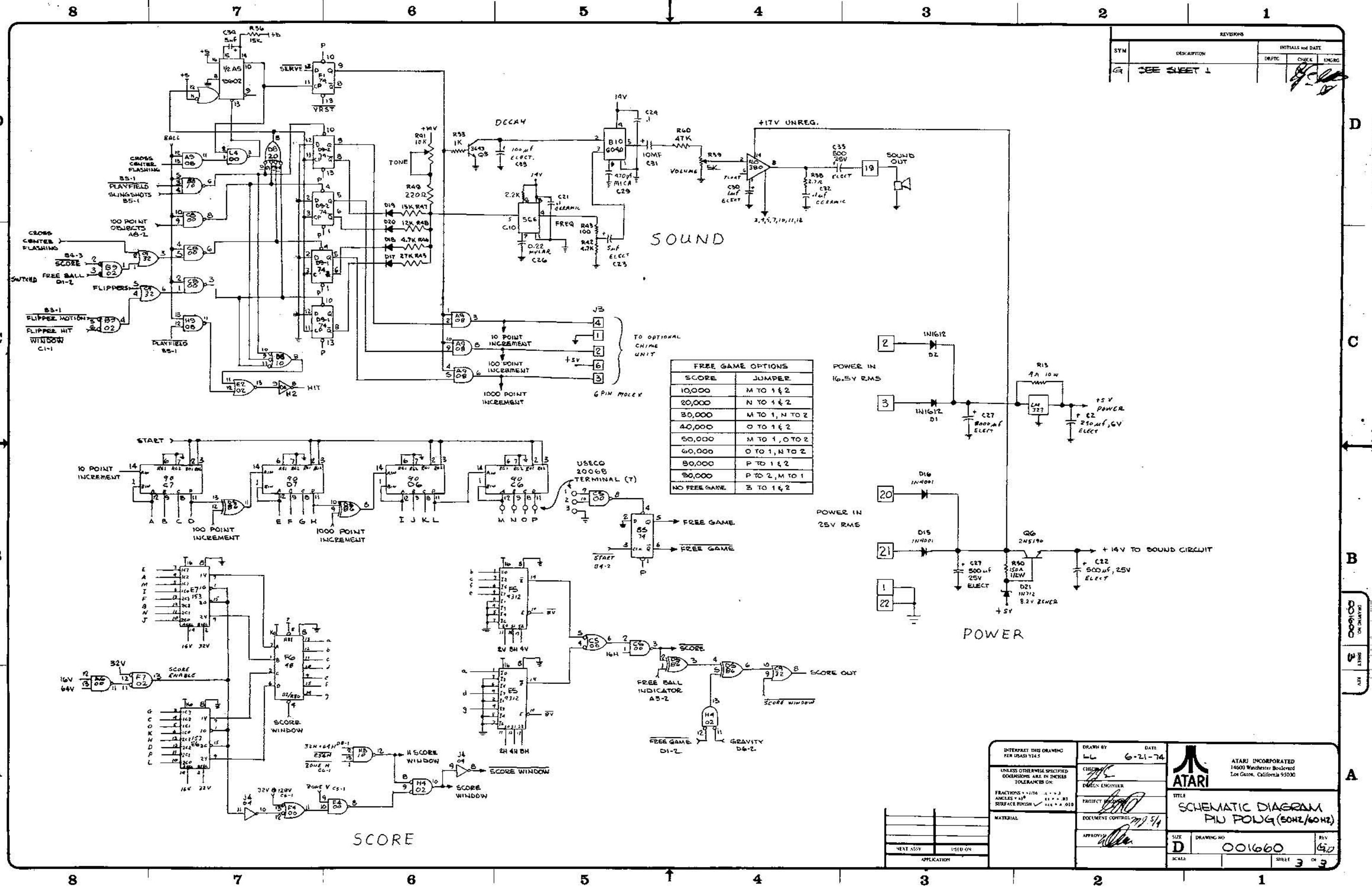
INTERPRET THIS DRAWING PER USAS 1011	DRAWN BY LL	DATE 6-21-74	 ATARI INCORPORATED 14600 W. River Boulevard Los Gatos, California 95030			
EXCEPT WHERE SPECIFIED DIMENSIONS ARE IN INCHES	CHECKED	DESIGN ENGINEER				
FRACTIONS - 1/16 1/8 1/4 1/2 3/4	PROJECT ENGINEER	TESTMENT CONTROL	SCHEMATIC DIAGRAM PIN PONG (60HZ/60HZ)			
ANGLES - 45° 90° 135°	APPROVED					
MATERIAL	DATE	REV. NO.	<table border="1"> <tr> <td>D</td> <td>001660</td> <td>G</td> </tr> </table>	D	001660	G
D	001660	G				



REVISIONS		
SYM	DESCRIPTION	INITIALS/DATE
G	SEE SHEET 1	

DATE THIS DRAWING FOR ISSUE	DATE	ATARI ATARI INCORPORATED 1400 Winchester Boulevard Los Gatos, California 95030	TITLE SCHEMATIC DIAGRAM PIN POINT (800/1000)
DESIGNED BY	6/31/74		
CHECKED		DRAWING NO. 001660	REV 4
DESIGN ENGINEER			
EXCEPTIONS		SHEET 2	OF 3
DATE			
MATERIAL			
APPROVED			
DATE			

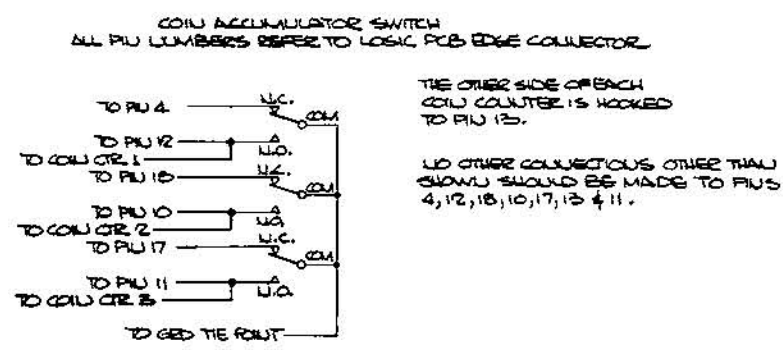
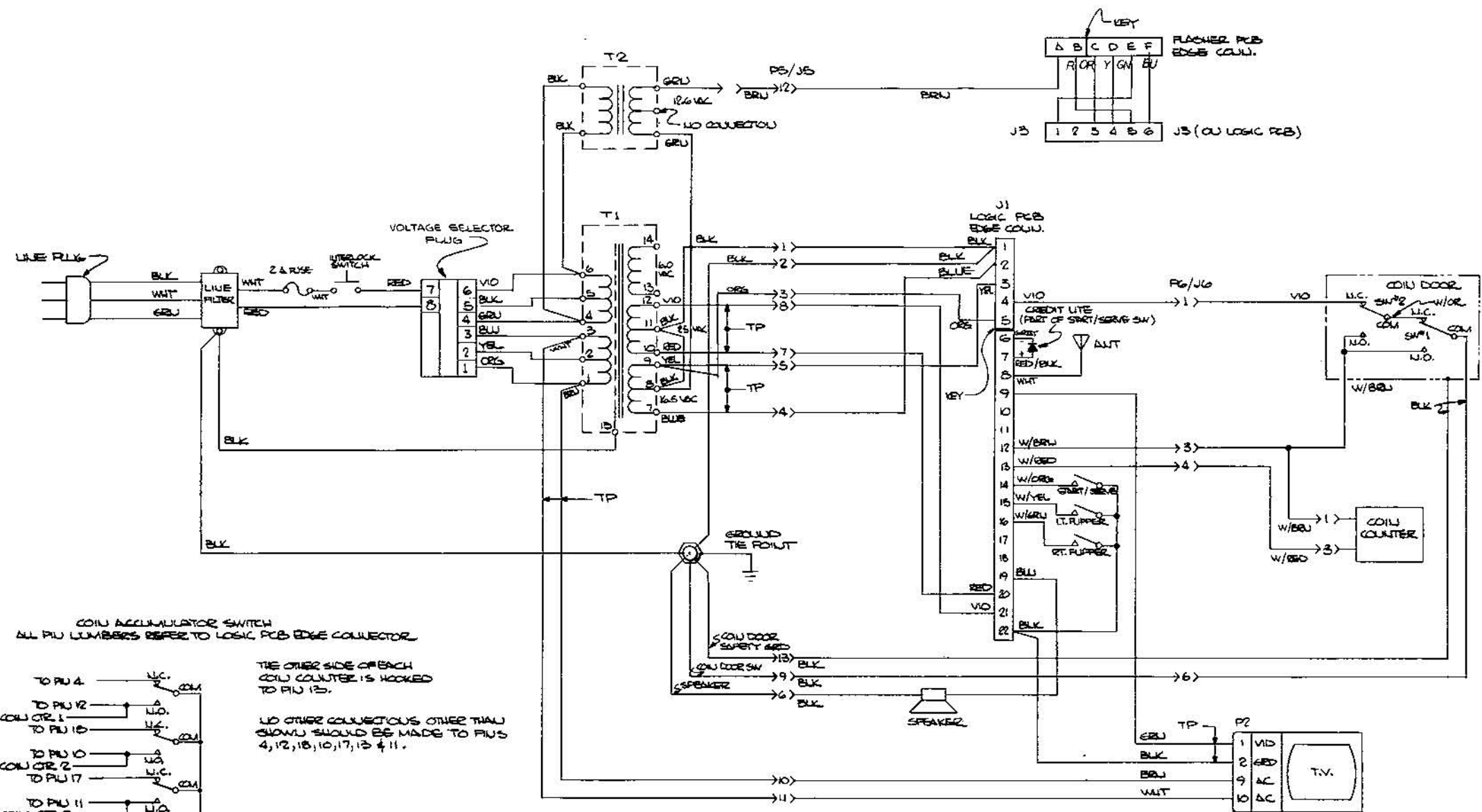
REVISIONS			
SYM	DESCRIPTION	INITIALS and DATE	
G	SEE SHEET 1		



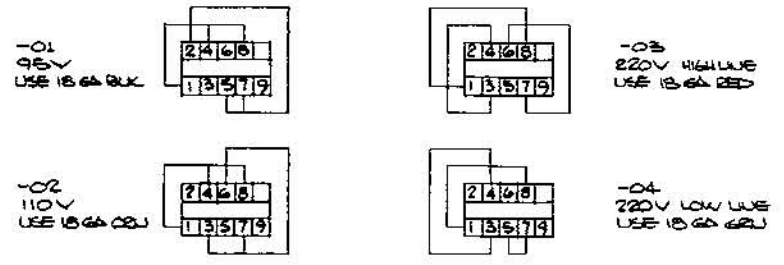
SCORE	JUMPER
10,000	M TO 1 & 2
20,000	N TO 1 & 2
30,000	M TO 1, N TO 2
40,000	O TO 1 & 2
50,000	M TO 1, O TO 2
60,000	O TO 1, N TO 2
80,000	P TO 1 & 2
90,000	P TO 2, M TO 1
NO FREE GAME	3 TO 1 & 2

INTERPRET THIS DRAWING PER ISAS 1145	DRAWN BY LL	DATE 6-21-74	 ATARI INCORPORATED 14600 Winchester Boulevard Los Gatos, California 95030
UNLESS OTHERWISE SPECIFIED DIMENSIONS ARE IN INCHES TOLERANCES ON: FRACTIONS ±.016 .1 ±.3 ANGLES ±.3° SURFACE FINISH SEE A.010	CHECKED BY DIGN ENGINEER	PROJECT NO. 001660	
MATERIAL	DOCUMENT CONTROL m/j 5/4	APPROVED BY <i>[Signature]</i>	SIZE D
SCALE	USED ON	APPLICATION	DRAWING NO. 001660
			REV (4/7)
			SHEET 3 OF 3

REVISIONS			
SYM	DESCRIPTION	INITIALS and DATE	
		ORFIC	ENGR.
B	PROD BEL REVISION PER ECN 874	10/15/74	PC
C	REVISED PER ECN 892	4/2/75	PC
D	REV PER ECN 1425	5/2/75	PC



10 PU MOLEX VOLTAGE SELECTOR PLUGS



* SEE DRAWING 0001921 FOR FULL DETAILS

<p>INTERPRET THIS DRAWING PER USAS 114.3</p> <p>UNLESS OTHERWISE SPECIFIED DIMENSIONS ARE IN INCHES TOLERANCES ON:</p> <p>FRACTIONS - ± .125</p> <p>DECIMALS - ± .005</p> <p>ANGLES - ± 1°</p> <p>SURFACE FINISH - 32 ± .0005</p>	<p>DRAWN BY: COOK</p> <p>DATE: 10-15-74</p> <p>CHECKED:</p> <p>DESIGN ENGINEER:</p> <p>PROJECT ENGINEER:</p> <p>DOCUMENT CONTROL:</p>	<p>ATARI INCORPORATED 14000 Winchester Boulevard Los Gatos, California 95030</p> <p>TITLE: WIRING DIAGRAM PONG</p> <p>SHEET: 1 OF 1</p> <p>DRAWING NO: 001982</p>
---	---	---

285100 SHEET 1 OF 1