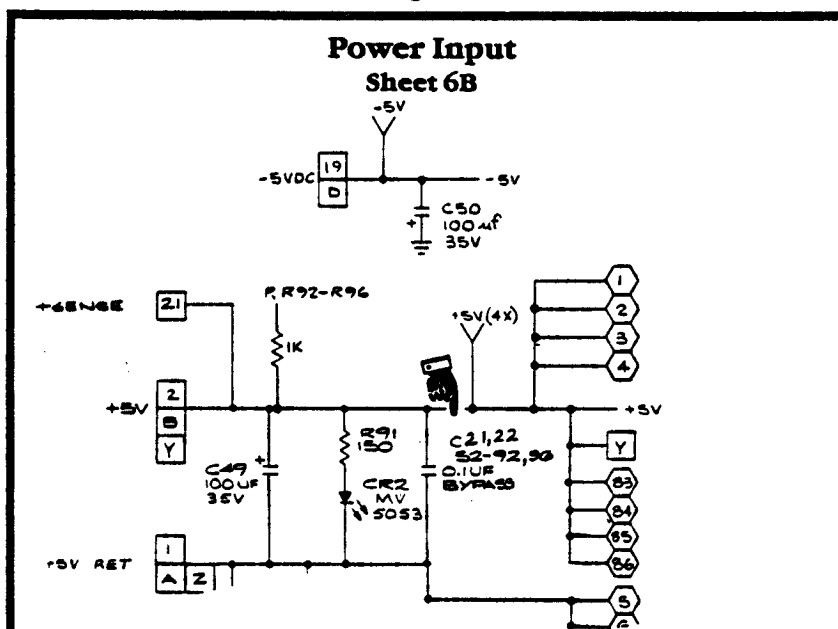


Supplement to

STAR WARS

STAR WARS Schematic Package (SP-225, 1st printing)
STAR WARS Operators Manual (TM-225, 1st printing)
STAR WARS Operators Manual (TM-245, 1st printing)

Please add the following correction to SP-225



Please make the following changes to the Main PCB parts list of TM-225 and/or TM-245:

STAR WARS Main PCB Parts List

Designator	Description	Part No.
Capacitors		
Add:		
C21, C22	0.1 µF, ±5%, 50 V Ceramic Capacitor	122002-104
Integrated Circuits		
1F	300 ns Tri-State EROM Integrated Circuit	136021-101
should be:		
1F	300 ns EPROM Integrated Circuit	136021-114

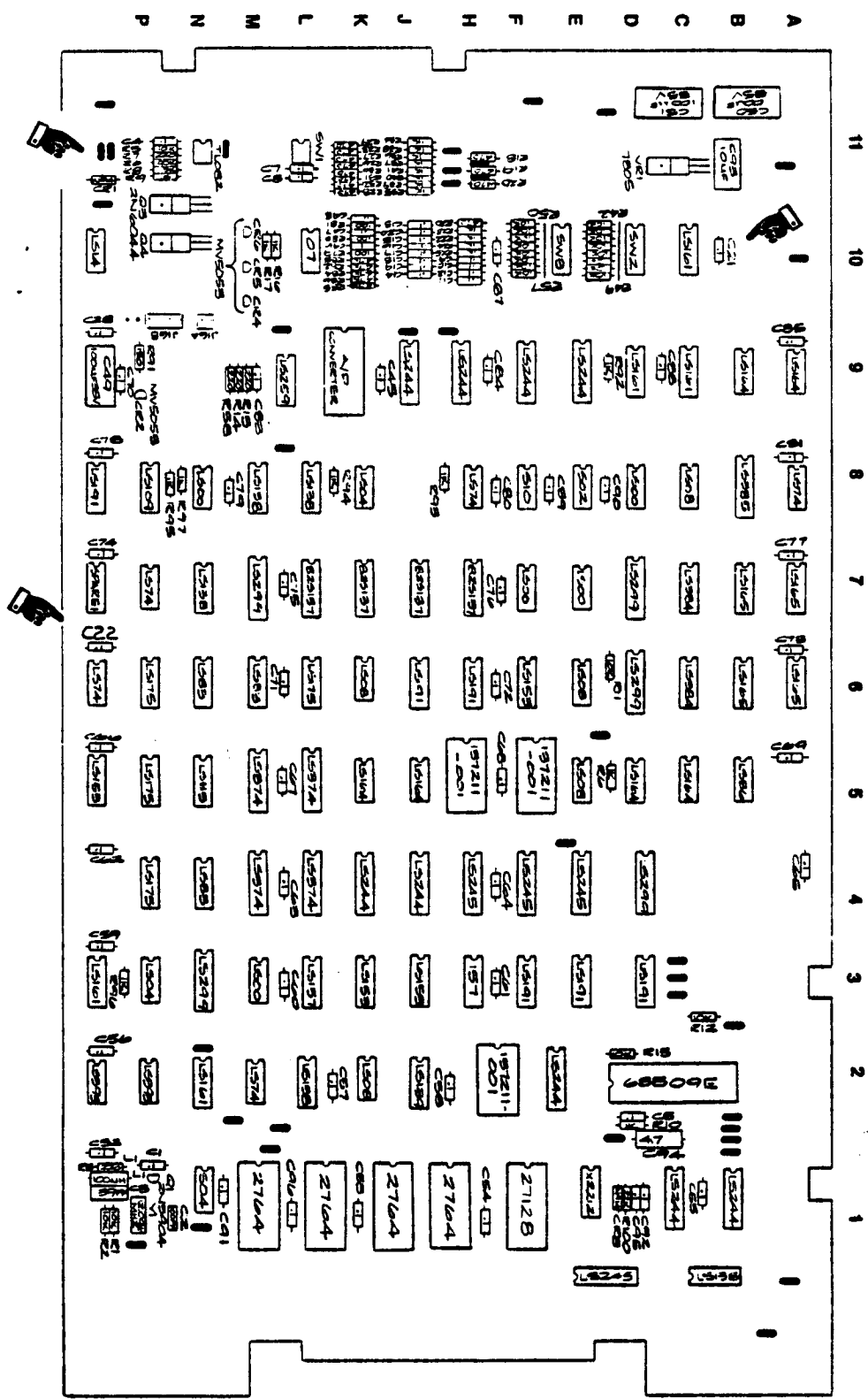


Figure 5-12 Main Printed-Circuit Board Assembly
A038461-21 B