

TANK II

Operation · Maintenance · Service Manual



KEE GAMES

A Subsidiary of Atari

ATARI, INC · 14600 Winchester Blvd · Los Gatos, CA 95030 · 408/374-2440 · Telex 357-488

TANK II



ASSEMBLY TITLE / TOP ASSEMBLY - TANK II

P/L 003521

PARTS LIST SPECIFICATION

Page 1 of 1

Drawn

Checked

M.J. 5/20/75

Mech. Eng.

Proj. Eng.

P. J. SMITH

Elec. Eng.

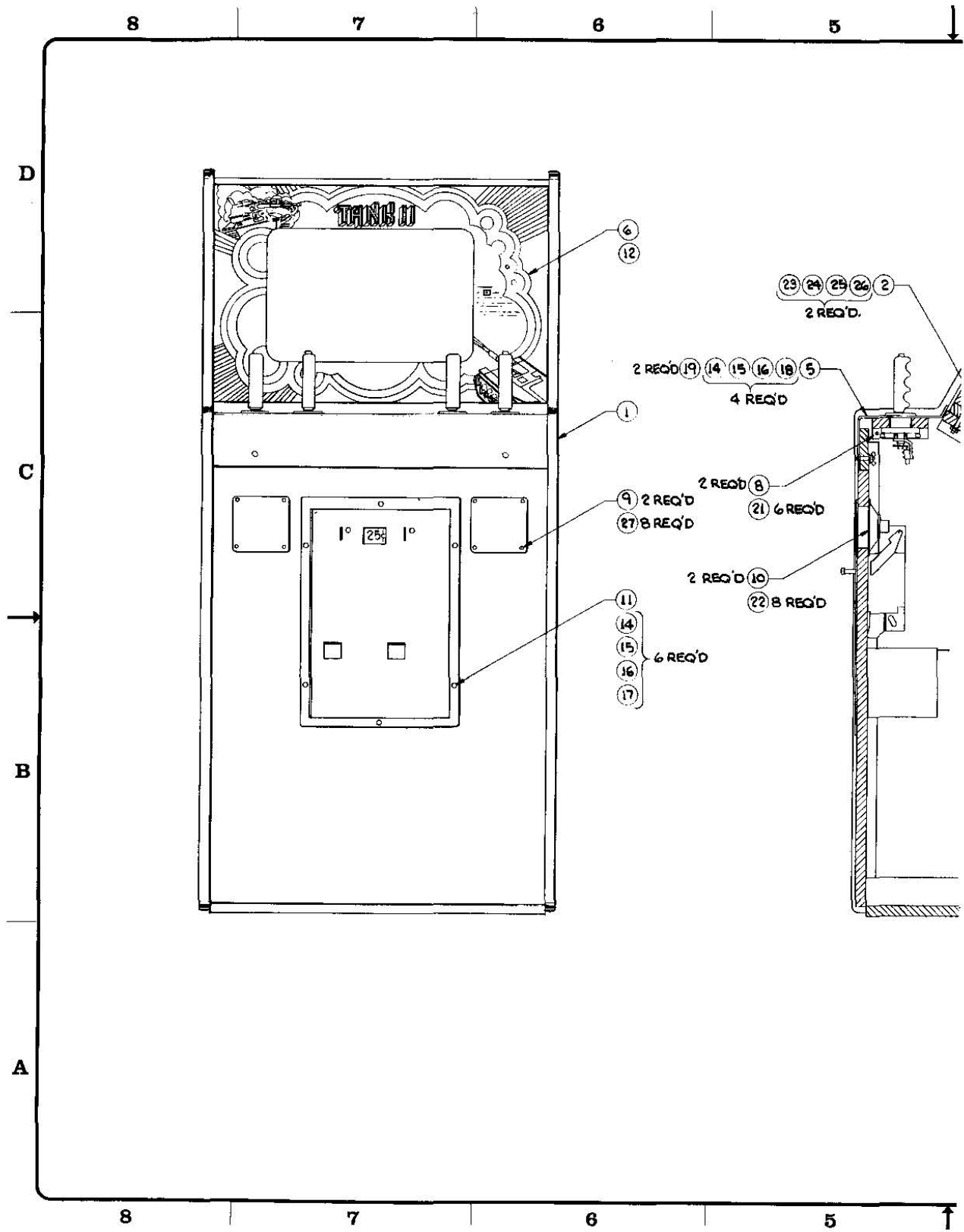
REV.

A

Rev.	Description	Date	Apprv.	Rev.	Description	Date	Apprv.
A	PROD REL	5/1/75	Z. H.				

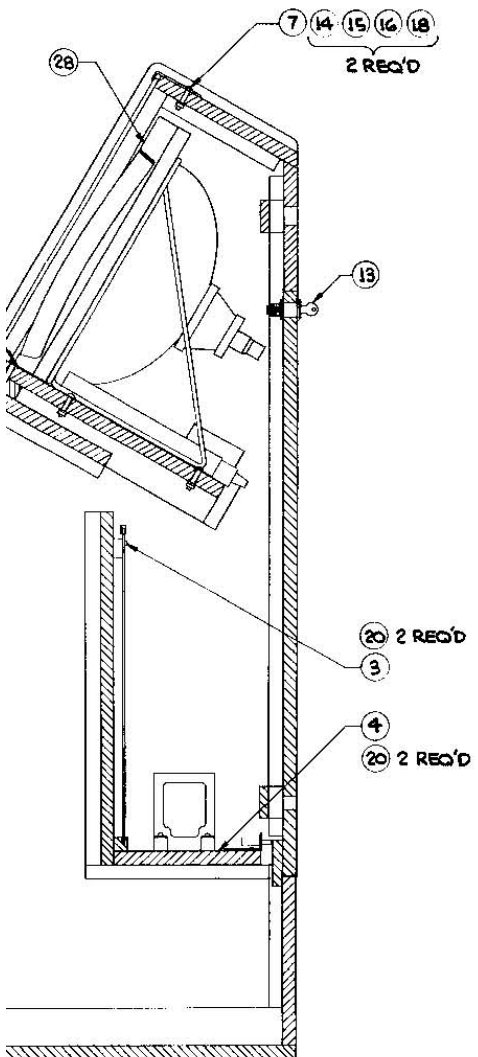
Item	Part Number	Qty.	DESCRIPTION
1	A003522	1	Cabinet Assembly
2	A003544	1	TV Mount Board Assembly
3	A003534	1	PC Mount Board Assembly
4	A003538	1	Electronics Tray Assembly
5	A003540	1	Control Panel Assembly
6	003543	1	Plex Screen W/Artwork
7	001573	1	Retainer, Upper Plex.
8	002728	2	Panel Mtg. Brackets
9	000869	2	Speaker, Grill
10	* 48-004	2	Speaker, 4"
11	A003637	1	Coin Door Assembly
12	003542	1	"Coin" Decal
13	71-2112	1	Lock, Mech., Barrel Cartridge
14	75-5120N	12	Bolt, Carriage, #10-24 x 1.25" Long
15	75-010S	10	Washer, Flat, #10
16	75-040	12	Washer, Split-Lock, #10
17	75-911S	6	Nut, Hex, #10-24
18	75-931	6	Nut, Wing, #10-24
19	75-035S	2	Washer, Flat, 1/4" Wide Pattern
20	72-6620	4	Screw, SM, Pan Hd., Phil. #6 x 1.25" Lg.
21	72-6812	6	Screw, SM, Pan Hd., Phil. #8 x .75" Lg.
22	72-6608	8	Screw, SM, Pan Hd., Phil. #6 x .50" Lg.
23	75-5844	2	Bolt, Carriage, #4-20 x 2.75" Lg.
24	75-015S	2	Washer, Flat, 1/4"
25	75-045	2	Washer, Split Lock, 1/4"
26	75-935	2	Nut, Wing, 1/4-20
27	73-77004	8	Pop Rivet, Alum. 3/16" DIA. x .68 Lg.
28	003752	1	Bezel, Cardboard

* This speaker may be replaced by any speaker previously used on TANK.



4 3 2 1

REVISIONS			
SYM	DESCRIPTION	INITIALS AND DATE	
		DRFTG	CHECK
A	PRODUCTION REL	5-21	PLJ



D
C
B
A

1255000
1/16
1/32

NOTICE TO ALL PERSONS RECEIVING THIS DRAWING
CONFIDENTIAL. Reproduction forbidden without the specific written permission of Atari Inc., Los Gatos, California. This drawing is only conditionally issued, and neither receipt nor possession thereof creates or transfers any right to, or license to use, the subject matter of the drawing or any design or technical information shown therein, nor any right to reproduce this drawing or any part thereof, except for manufacture by vendors for Atari Incorporated and for manufacturers under the corporation's written license, or right to reproduce. This document is granted on the subject matter. Invaluable action by written agreement with or written permission from the corporation.

TANK II	
NEXT ASSY	USED ON
APPLICATION	

INTERPRET THIS DRAWING PER USASI Y145

UNLESS OTHERWISE SPECIFIED DIMENSIONS ARE IN INCHES TOLERANCES ON

FRACTIONS ± 0.16 .X - A.1
 ANGLES ± 0.1° .XX - A.63
 SURFACE FINISH ✓ .XXX - A.818

MATERIAL
 SEE P/L003521

DRAWN BY
 PETE 5-21-75

CHECKED

DESIGN ENGINEER
 P. TAKAICHI

PROJECT ENGINEER

DOCUMENT CONTROL 1772

APPROVED
[Signature]

ATARI ATARI INCORPORATED
 14600 Winchester Boulevard
 Los Gatos, California 95030

TITLE
TOP ASSEMBLY

SIZE D DRAWING NO. A003521 REV. A

SCALE SHEET 1 OF 1

4 3 2 1



ASSEMBLY TITLE / JOYSTICK ASSY (UP, DOWN & FIRE) P/L 002303-01

PARTS LIST SPECIFICATION Page 1 of 1

Drawn
 Checked *M.J. 5/20/75* Mech. Eng. *[Signature]*
 Proj. Eng. Elec. Eng. *[Signature]* REV. E

Rev.	Description	Date	Apprv.	Rev.	Description	Date	Apprv.
A	PROD REL	4-3-75	<i>[Signature]</i>				
B	Rev per ECN 1285	4-3-75	<i>[Signature]</i>				
C	Rev per ECN 1333	4/21/75	<i>[Signature]</i>				
D	Rev per ECN 1470	6/6/75	<i>[Signature]</i>				
E	Rev per ECN 1503		<i>[Signature]</i>				

Item	Part Number	Qty.	DESCRIPTION
1	002299	1	Button
2			
3	002302	1	Spring Return
4			
5	002298	1	Rod
6	002294	1	Bushing
7	002296	2	Washer, Return
8	002293	1	Hub
9	002297	1	Spacer Ring
10	003207	1	Switch Plate 11
11	002301	1	Bracket, Switch
12	002300	1	Actuator
13	A003583-01	1	Handle Assy
14	75-2412S	2	Screw, Mach, Rd Hd, Phil #4-40x3/4
15	75-044	2	Washer, Split Lock, #4
16	75-914S	2	Nut, Hex #4-40
17	75-991202	1	Nut, Hex 1/4-28
18	75-019S	1	Washer, Flat, 5/16
19	75-06003	2	Washer, Belleville Spring
20	72-6410	4	Screw, Sheet Metal, Phil. #4 x 5/8
21	72-6412	4	Screw, Sheet Metal, Phil. #4 x 3/4
22	**65-081A	3	Micro Switch
23			
24	75-912S	2	Nut, Hex, #2-56

Notes:
 * Optional Handle Grip See DWG No. 003092
 ** Acceptable Substitutes
 65-091A, 65-101A, 65-111A.

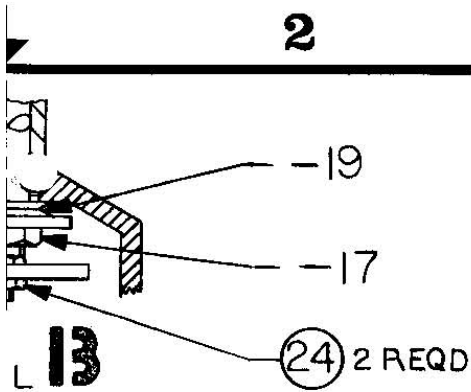


ASSEMBLY TITLE	JOYSTICK ASSY (DUMMY BUTTON)	P/L	002303-02
PARTS LIST SPECIFICATION		Page 1 of 1	
Drawn			
Checked	M.J. 5/20/75	Mech. Eng.	<i>E.R.</i>
Proj. Eng.		Elec. Eng.	
			REV. E

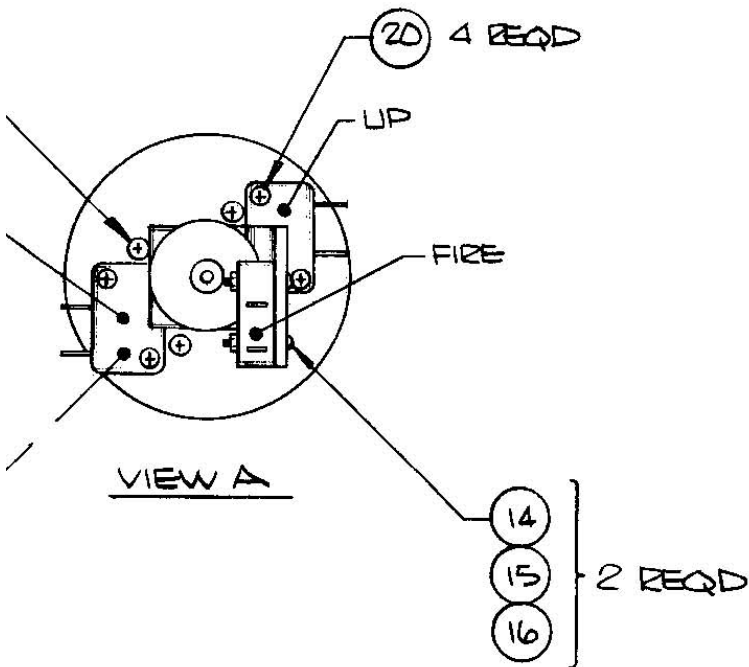
Rev.	Description	Date	Apprv.	Rev.	Description	Date	Apprv.
B	Prod Rel/ECN 1285	4-3-75	<i>[Signature]</i>				
C	Rev per ECN 1333	4/21/75	<i>[Signature]</i>				
D	Rev per ECN 1470	6/6/75	<i>[Signature]</i>				
E	Rev per ECN 1503		<i>[Signature]</i>				

Item	Part Number	Qty.	DESCRIPTION
1		1	Bushing
2	002294	2	Washer, Return
3	002296	1	Hub
4	002293	1	Spacer Ring
5	002297	1	Switch Plate 11
6	003207	1	Handle Assy
7	A003583-02	1	Nut, Hex, 1/8-28
8	75-991202	2	Washer, Flat, 5/16
9	75-019S	4	Screw, Sheet Metal, Phil. #4 x 5/8
10	72-6410	4	Screw, Sheet Metal, Phil. #4 x 3/4
11	72-6412	2	Switch
12	**65-081A		

Notes:
 * Optional Handle Grip See DWG No. 003082
 ** Acceptable Substitutes
 65-091A
 65-110A
 65-111A



REVISIONS				
SYM	DESCRIPTION	INITIALS and DATE		
		DRFTG.	CHECK	ENGRG.
A	PROD REL	1-14-75	DL	WS
B	REV PER ECN 1285	4-3-75	DL	WS
C	REV. PER ECN.1333SH.1	TEW	4/17/75	WS
D	REV. PER ECN 1470	6-6-75	DL	WS
E	REV PER ECN 1503	6-19-75	DL	WS



NOTES :

⚠ HANDLE ASSY IS NOT TO BE TIGHT AFTER TOTAL ASSY. HANDLE ASSY SHOULD ROTATE.

INTERPRET THIS DRAWING PER USAS1 Y14.5 UNLESS OTHERWISE SPECIFIED DIMENSIONS ARE IN INCHES TOLERANCES ON: FRACTIONS = ±1/16 .x = ±.1 ANGLES = ±1° .xx = ±.03 SURFACE FINISH ✓ .xxx = ±.010	DRAWN BY COOK	DATE 1-14-75		ATARI INCORPORATED 14600 Winchester Boulevard Los Gatos, California 95030
	CHECKED DESIGN ENGINEER PROJECT ENGINEER DOCUMENT CONTROL	TITLE ASSY, JOYSTICK (UP, DOWN & FIRE)		
MATERIAL: SEE PL 002303-01	APPROVED 	SIZE B	DRAWING NO. Δ002303-01	REV E
USED ON ACTION	SCALE		SHEET 1 OF	

D
C
B
A

2

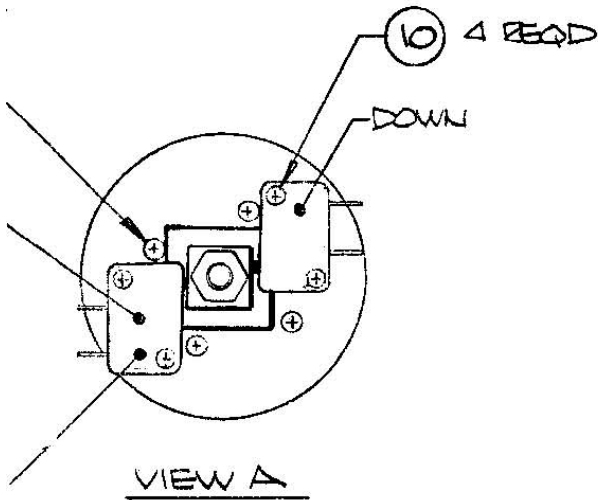
1

2

1


2 | 1

REVISIONS				
SYM	DESCRIPTION	INITIALS and DATE		
		DRFTG.	CHECK	ENGL'S
B	SEE SUT 1	-	-	-
C	REV. PER ECN.1333 SH.2	TEW.	9/21/75	EX.
D	REV. PER EC N 1470	66-75	XXX	WS
E	REV PER ECN 1503	6-19-75	XX	DL

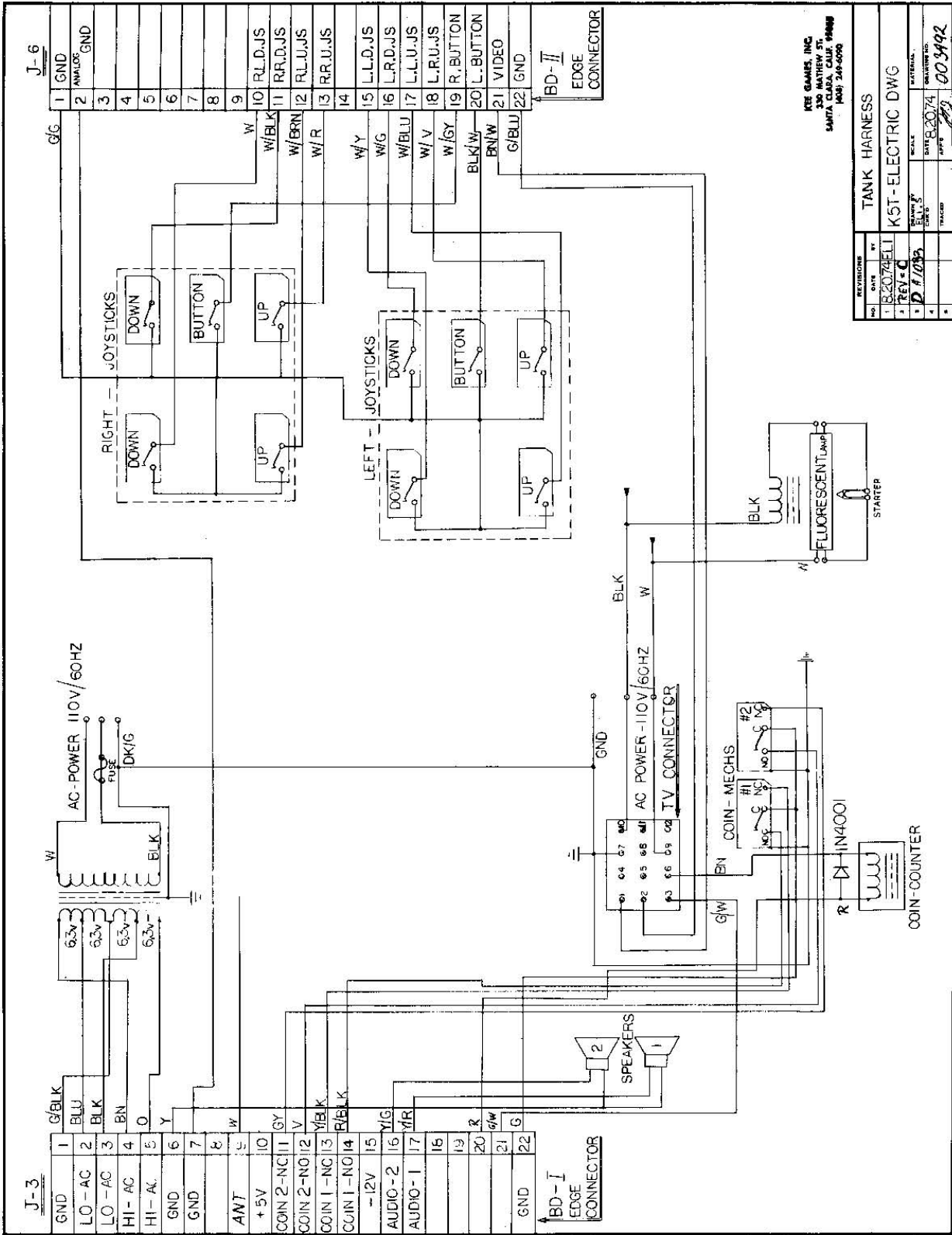


NOTES:

- ⚠ HANDLE ASSY IS NOT TO BE TIGHT AFTER TOTAL ASSY. HANDLE ASSY SHOULD ROTATE.

INTERPRET THIS DRAWING PER USASI Y14.5 UNLESS OTHERWISE SPECIFIED DIMENSIONS ARE IN INCHES TOLERANCES ON: FRACTIONS = +1/16 .X = +.J ANGLES = ±1° .XX = ±.03 SURFACE FINISH ✓ .XXX = ±.010	DRAWN BY <u>ZOOK</u> DATE <u>1-14-75</u>	 ATARI INCORPORATED 14600 Winchester Boulevard Los Gatos, California 95030
	CHECKED DESIGN ENGINEER <u>[Signature]</u> PROJECT ENGINEER	
MATERIAL: <u>SEE PL 002303-02</u>	DOCUMENT CONTROL <u>MJ</u> APPROVED <u>[Signature]</u>	SIZE <u>B</u> DRAWING NO. <u>A002303-02</u> REF. <u>E</u> SCALE SHEET <u>2</u> OF

2 | 1



VEE GAUGE, INC
 55 WATSON
 SANTA CLARA, CALIF. 95050
 (408) 246-0090

REVISIONS		BY		DATE	
1	REV - C	180749ELI			
2	REV - D	180749ELI			

NO.	DATE	BY	SCALE	MATERIAL
1	10/10/83	180749ELI	1/8"	K5T-ELECTRIC DWG
2				
3				
4				
5				

DATE	10/10/83
SCALE	1/8"
MATERIAL	K5T-ELECTRIC DWG
NO.	60392

TANK II



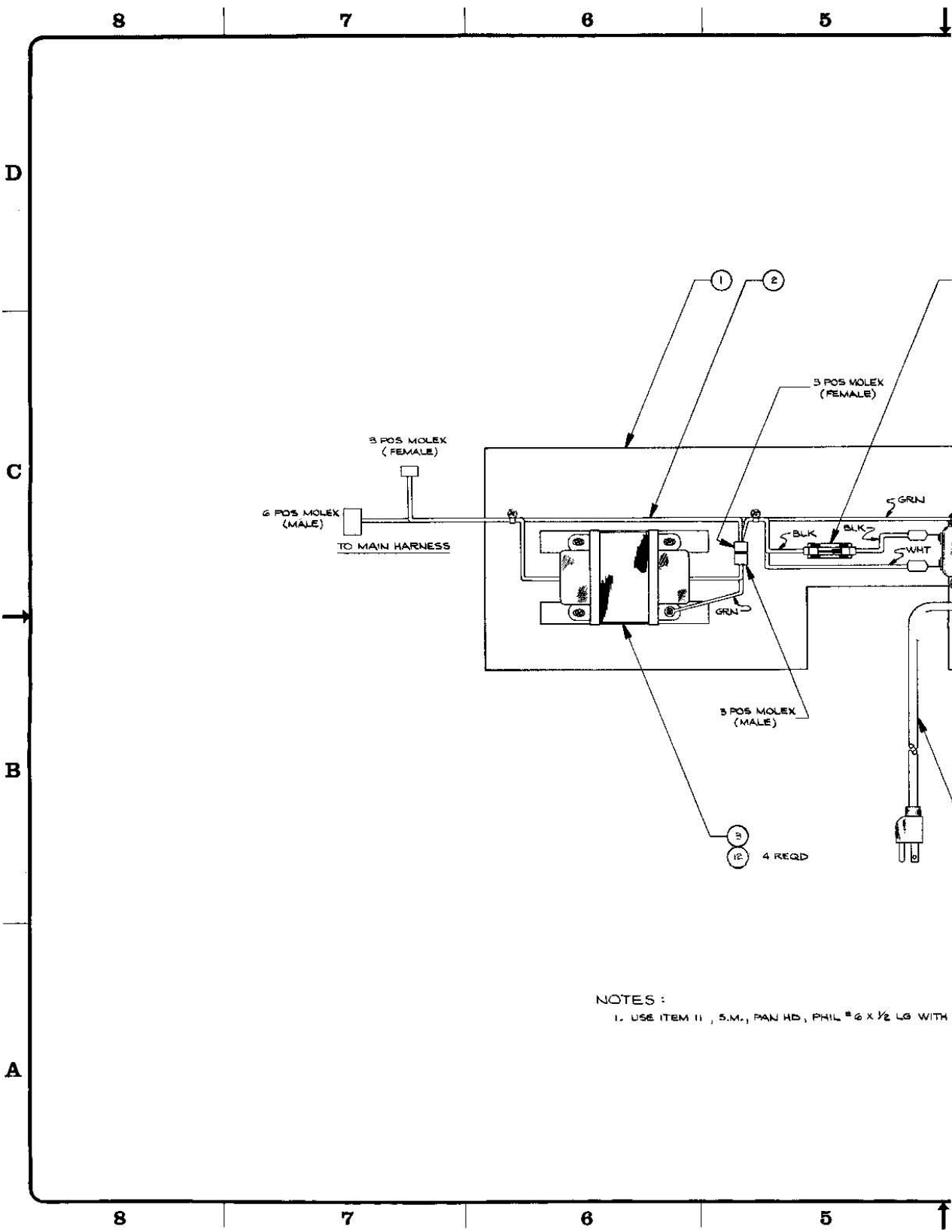
ASSEMBLY TITLE / ELECTRONICS TRAY ASSEMBLY P/L 003538

PARTS LIST SPECIFICATION Page 1 of 1

Drawn _____
 Checked *M.J. 9/11/75* Mech. Eng. *B...*
 Proj. Eng. *...* Elec. Eng. *...* REV. B

Rev.	Description	Date	Apprv.	Rev.	Description	Date	Apprv.
A	PROD REL	5-1-75	<i>[Signature]</i>				
B	Rev per ECN 1616	9-11-75	<i>[Signature]</i>				

Item	Part Number	Qty.	DESCRIPTION
1	003539	1	Electronics Tray
2	A003492	1	Main Harness Assy. (K5-T)
3	A003560-01	1	Transformer Assy.
4	A003460	1	AC Power Harness Assy.
5	A004244	1	8" Power Cord Assy
6	46-202202	1	Fuse
7	90-3001	1	Filter, Power Line
8	68-001	1	A.C. Power Interlock Switch
9	000268	1	Bracket, Switch MTG.
10	78-25002	2	Screw Down, Tie Wrap
11	72-6608	8	Screw, SM, Pan Hd, Phil #6 x 1/2" Lg.
12	72-6824	4	Screw, SM, Pan Hd, Phil #8 x 1 1/2" Lg.

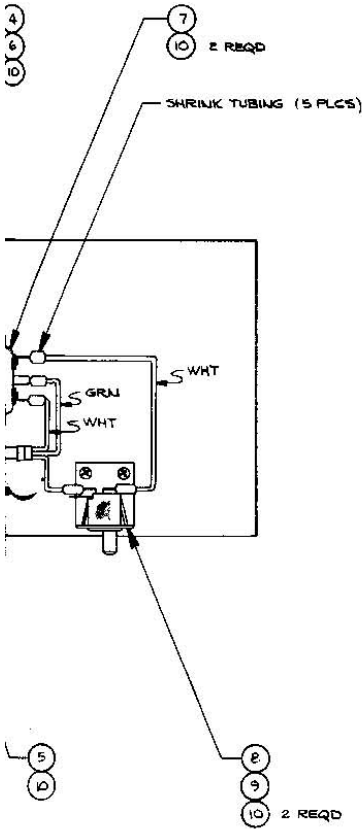


NOTES:
 1. USE ITEM 11, 5.M., PAN HD, PHIL # 6 X 1/2 LG WITH

4 REQD

4 3 2 1

REVISIONS				
SYM	DESCRIPTION	DETAILS and DATE		
		DRAFT	CHECK	ENGRG
B.	REVISED PER ECH 1616	ME	B-20-75	[Signature]



D
C
B
A

ON DRAWING
LENS
ASK

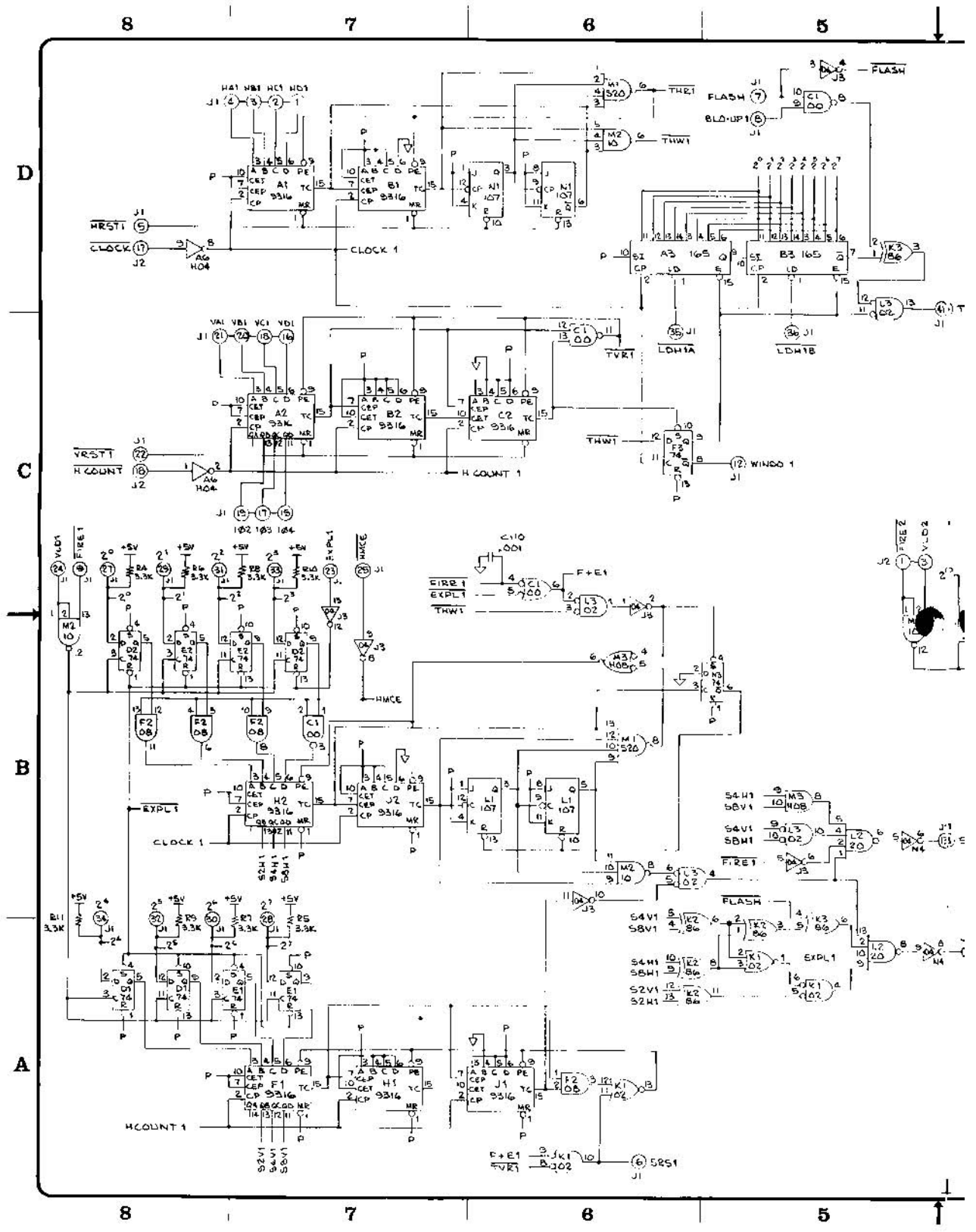
ARNESS TIE DOWNS

NOTICE TO ALL PERSONS RECEIVING THIS DRAWING
CONFIDENTIAL. Reproduction Forbidden without the specific written permission of Atari Inc., Los Gatos, California. This drawing is only conditionally issued, and neither accepts nor promises correct condition or transfers any right to, or license in use, the subject matter of the drawing or any design or technical information therein. Atari Inc. does not warrant the accuracy of the drawing or any part thereof, nor does it accept any liability for errors or omissions. This drawing is issued as is and without warranty, express or implied. Atari Inc. does not accept any liability for errors or omissions. This drawing is issued as is and without warranty, express or implied. Atari Inc. does not accept any liability for errors or omissions.

APPROVED	TANK II
NEXT ASST	USED ON
APPLICATION	

INTERPRET THIS DRAWING PER USAS 714.5	DRAWN BY A. STEINLE	DATE AUG 20, 75	<p>ATARI INCORPORATED 14600 Winchester Boulevard Los Gatos, California 95030</p>
UNLESS OTHERWISE SPECIFIED DIMENSIONS ARE IN INCHES TOLERANCES ON:	CHECKED		
FRACTIONS = 1/16 x = +.1	DESIGN ENGINEER [Signature]		
ANGLES = 30°	PROJECT ENGINEER		
SURFACE FINISH ✓ .xxx = +.018	DOCUMENT CONTROL		TITLE ASSEMBLY, ELECTRONICS TRAY - TANK II
MATERIAL SEE P/L 003538	APPROVED [Signature]		SIZE D
			DRAWING NO. A003538
			REV B
			SCALE 1:2
			SHEET 1 OF 1

4 3 2 1



8

7

6

5

D

C

B

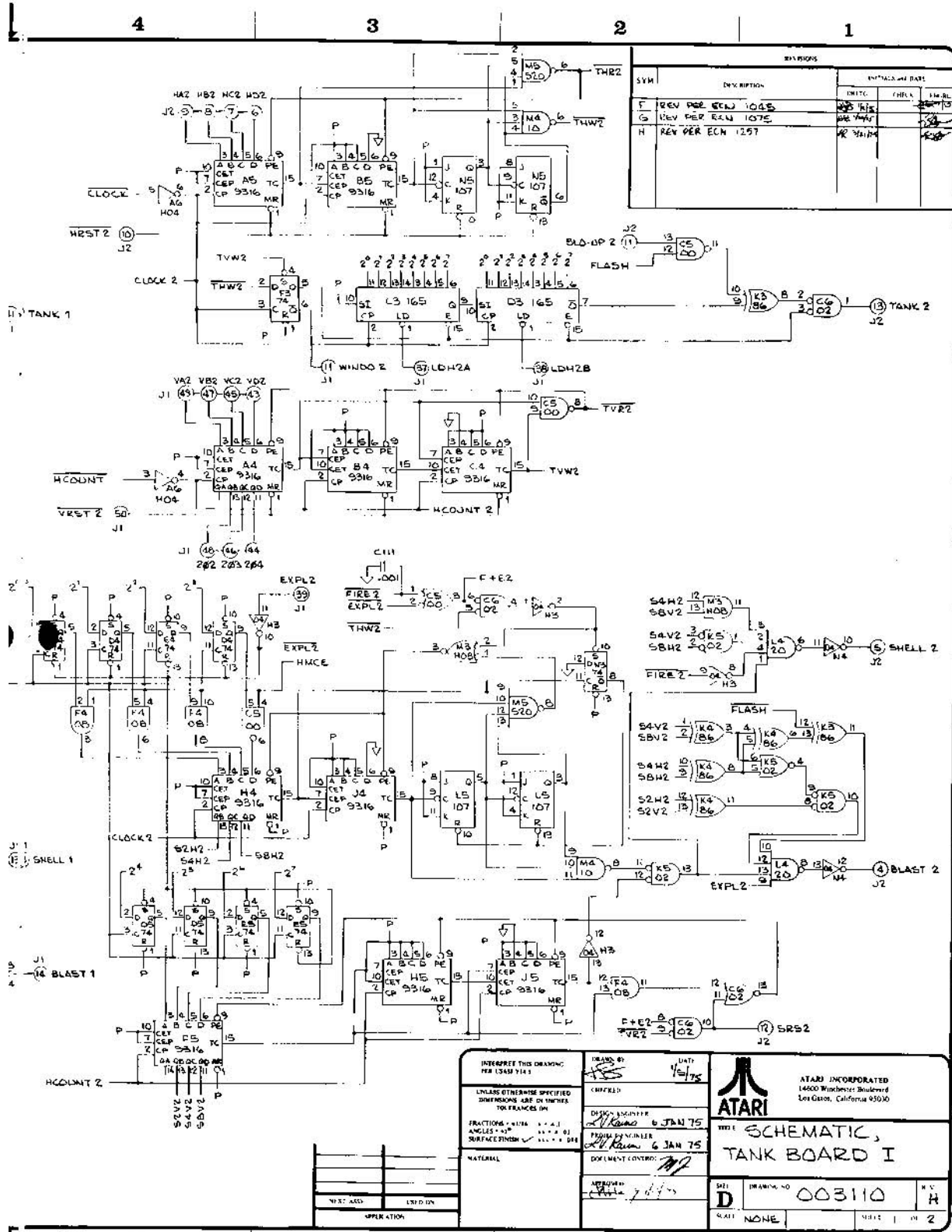
A

8

7

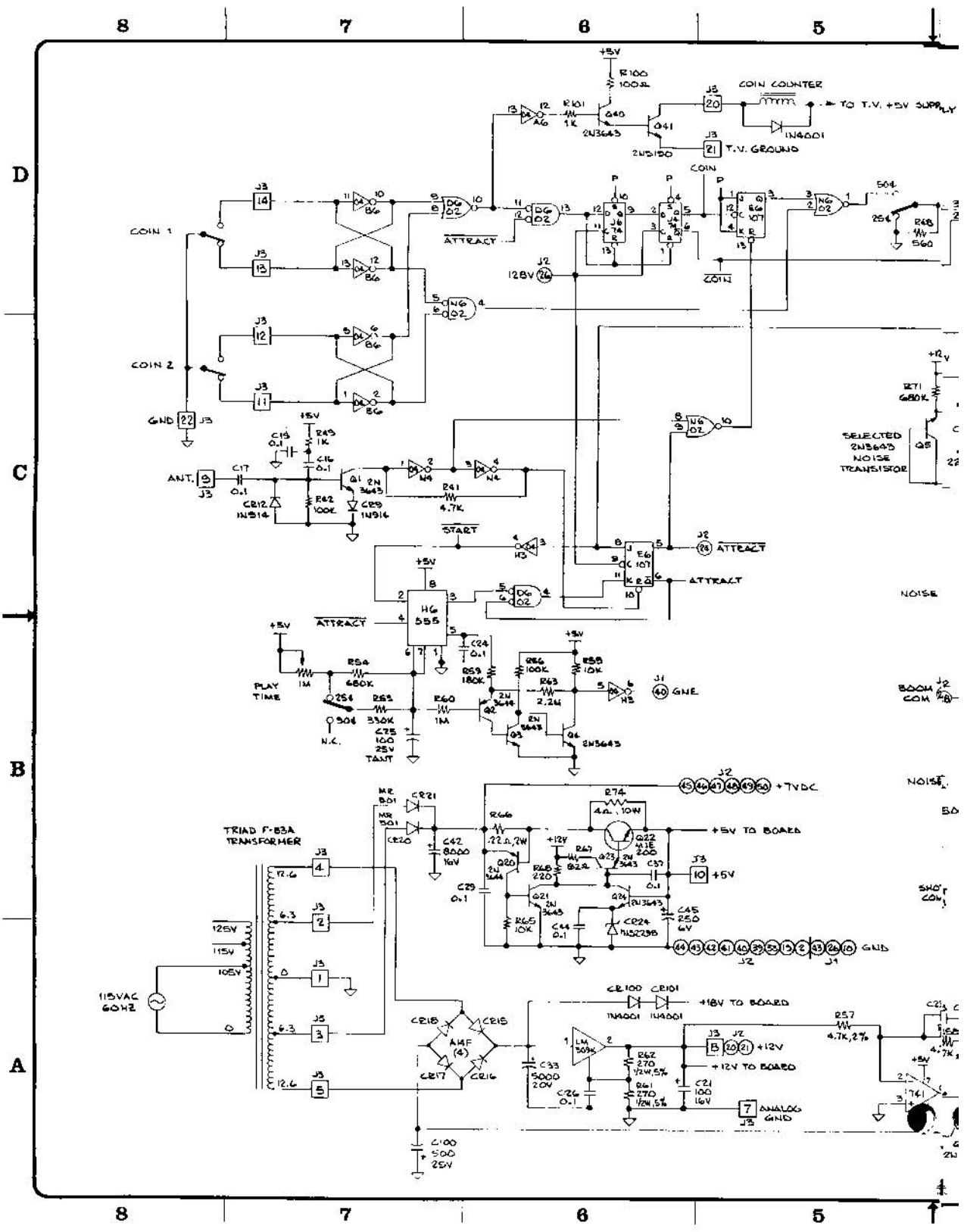
6

5

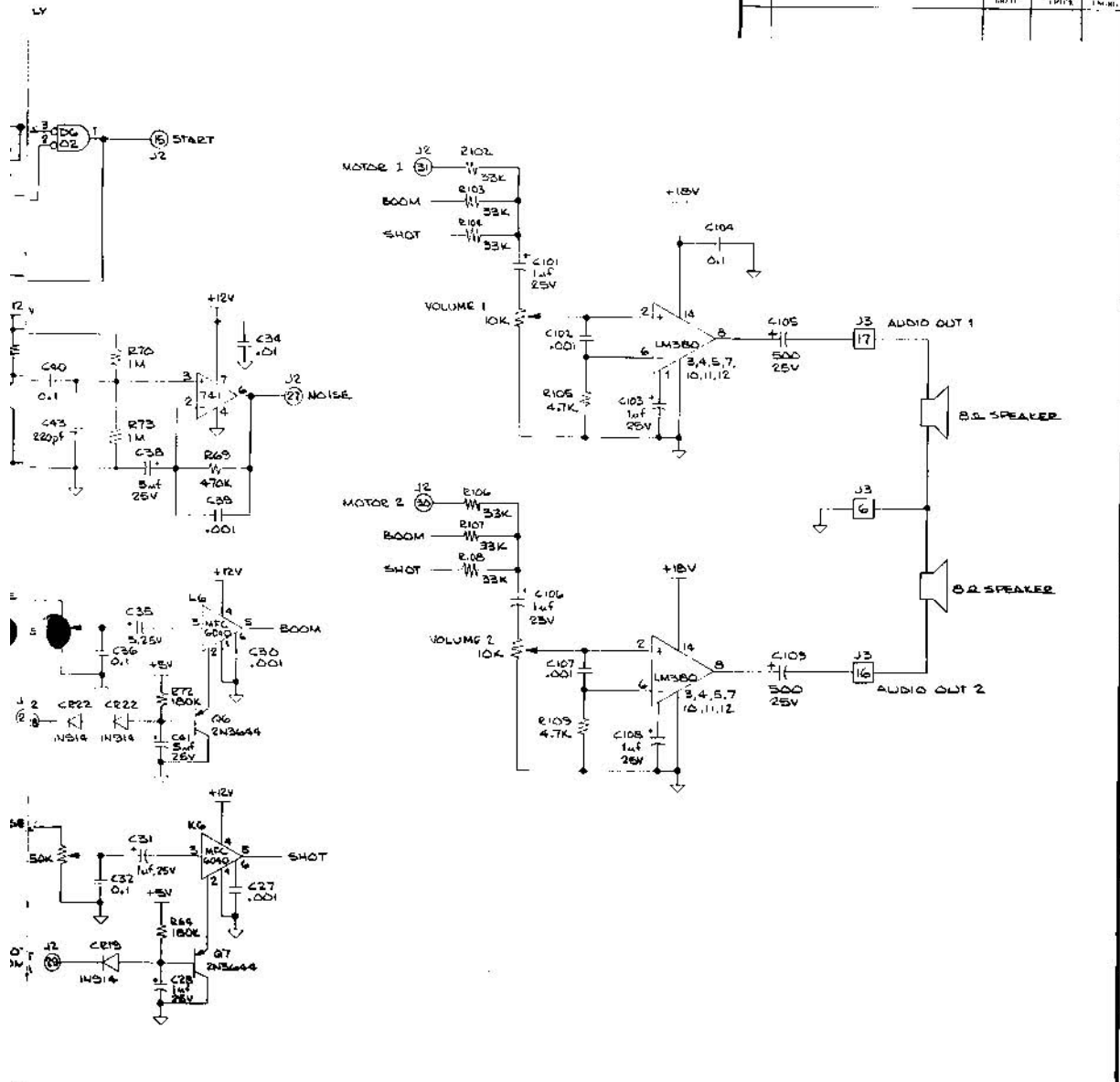


SYN	DESCRIPTION	DATE	INITIALS	REVISION
F	REV PER ECH 1045	10/25/75	WJ	1
G	REV PER ECH 1075	11/14/75	WJ	2
H	REV PER ECH 1257	12/14/75	WJ	3

INTERPRET THIS DRAWING PER LSAS 714.3 UNLESS OTHERWISE SPECIFIED DIMENSIONS ARE IN INCHES 250 FRANCES (M)	DRAWN BY <i>WJ</i>	DATE 1/1/75	ATARI INCORPORATED 1450 Winchester Boulevard Los Gatos, California 95030
	CHECKED DATE 6 JAN 75	PROJECT NUMBER 003110	
FRACTIONS - WITH .001 ANGLES - 30° SURFACE FINISH - .001 - .002	DESIGNER <i>WJ</i>	DATE 6 JAN 75	TITLE SCHEMATIC, TANK BOARD I
MATERIAL	APPROVED <i>WJ</i>	DATE 7/1/75	SHEET NO 003110
NEXT ASSY APPLICATION	LSP D IN	SCALE NONE	SIZE 11 x 17

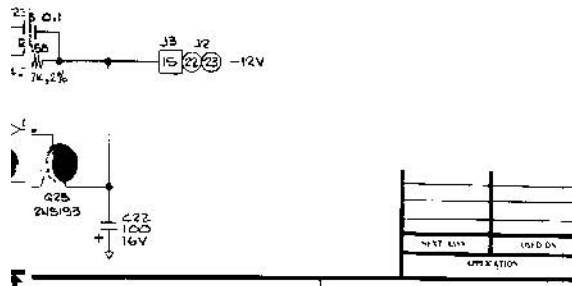


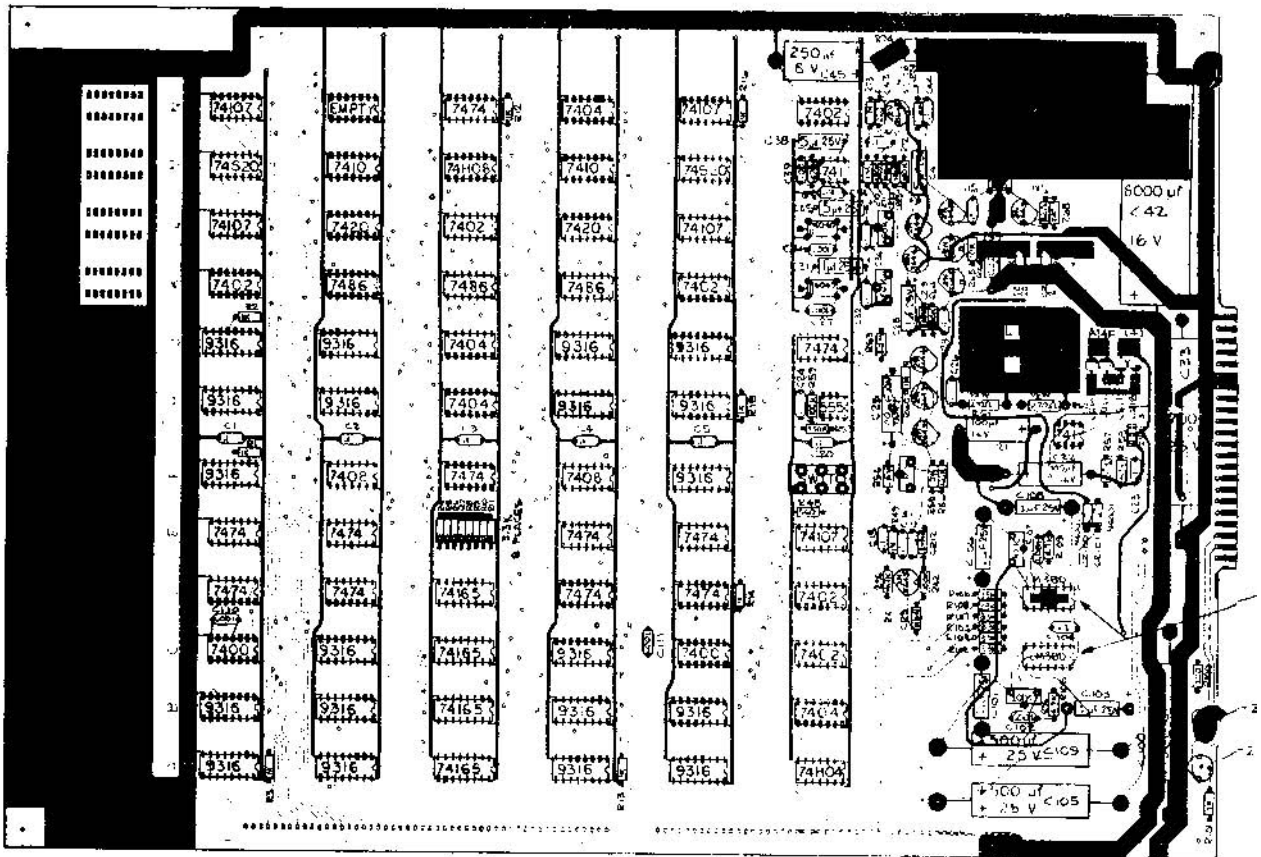
REVISIONS		
SYM	DESCRIPTION	INITIALS and DATE

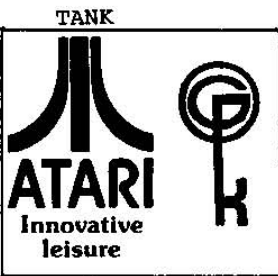


D
C
B
A

INTERPRET THIS DRAWING PER LEAD 5114 UNLESS OTHERWISE SPECIFIED DIMENSIONS ARE IN INCHES UNLESS NOTED OTHERWISE	DRAWN BY: <i>[Signature]</i> DATE: 4/4/75 CHECKED BY: <i>[Signature]</i>	ATARI INCORPORATED 14600 Winchester Boulevard Los Gatos, California 95030
	DESIGN NUMBER: <i>10 JAN 75</i> PROJECT ENGINEER: <i>[Signature]</i> 10 JAN 75 DRAWING CONTROL: <i>[Signature]</i>	
MATERIAL:	APPROVED BY: <i>[Signature]</i>	SEE DRAWING NO: 003110 REV: H
NEXT ASSY:	OPERATION:	SHEET 2 OF 2







ASSEMBLY TITLE	TANK - BOARD 1	P/L003110
PARTS LIST SPECIFICATION		Page 1 of 2
Drawn		
Checked <i>MJ. A-15-75</i>	Mech. Eng.	
Proj. Eng. <i>L. Rains</i> 3 JAN 75	Elec. Eng. <i>L. Rains</i> 3 JAN 75	REV. H

Rev.	Description	Date	Apprv.	Rev.	Description	Date	Apprv.
D	PROD RE	11-22	<i>RK</i>				
D	Incorporates ECN 74-120	11-26	<i>RK</i>				
D	Incorporates ECN 74-124	12-14	<i>RK</i>				
F	REV PER ECN 1045	1/13/75	<i>RK</i>				
G	REV PER ECN 1075	1/20/75	<i>RK</i>				
H	Rev per ECN 1257	3/21/75	<i>RK</i>				

Item	Part Number	Qty.	DESCRIPTION
1	37-7400	2	Integrated Circuit, 7400
2	37-7402	6	" " 7402
3	37-7404	4	" " 7404
4	37-74H04	1	" " 74H04
5	37-7408	2	" " 7408
6	37-74H08	1	" " 74H08
7	37-7410	2	" " 7410
8	37-7420	2	" " 7420
9	37-74S20	2	" " 74S20
10	37-7474	11	" " 7474
11	37-7486	3	" " 7486
12	37-74107	5	" " 74107
13	37-74165	4	" " 74165
14	37-9316	20	" " 9316
15	37-555	1	" " 555
16	37-741	2	" " 741
17	37-LM380	2	" " LM380
18	37-MFC6040	2	" " MFC 6040
19	37-LM309	1	LM 309 K, Voltage Regulator
20	10-5101	1	Resistor, Carbon, 5%, 1/4 Watt, 100 ohm
21	10-5102	10	" " " " 1K ohm
22	10-5103	2	" " " " 10K ohm
23	10-5104	3	" " " " 100K ohm
24	10-5105	3	" " " " 1Meg ohm
25	10-5221	1	" " " " 220 ohm
26	10-5225	1	" " " " 2.2M ohm
27	10-5333	6	" " " " 33K ohm
28	10-5472	3	" " " " 4.7K ohm
29			
30	10-5474	1	" " " " 470K ohm
31	10-5561	1	" " " " 560 ohm
32			
33			
34	10-5684	2	" " " " 680K ohm
35	10-5820	1	" " " " 82 ohm
36			
37	10-5334	1	" " " " 330K ohm
38	14-2472	2	" " 2% " 4.7K ohm
39	11-5271	2	Resistor, Carbon, 5%, 1/2 Watt, 270 ohm

ASSEMBLY TITLE TANK - BOARD 1

P/L 003110

PARTS LIST SPECIFICATION

Page 2 of 2

Item	Part Number	Qty.	DESCRIPTION	Rev	H
40					
41	13-5P22	1	Resistor, Carbon, 5%, ½ Watt, .22 ohm		
42	19-808W4PO	1	Resistor, Wirewound, 20%, 10 Watt, 4 ohm		
43	31-1N914	5	Diodes, 1N 914		
44	31-1N4001	2	Diodes, 1N 4001		
45	32-1N5229	1	Diodes, Zener, 1N 5229B, 4.3V, 5%, Motorola		
46	31-MR501	2	Diodes, MR 501		
47	34-2N3643	8	Transistor, 2N 3643		
48	33-2N3644	4	Transistor, 2N 3644		
49	34-2N5190	1	Transistor, 2N 5190		
50	34-2N5193	1	Transistor, 2N 5193		
51	34-MJE200	1	Transistor, MJE 200		
52	19-311503	2	Trimpot, 50K		
53	19-311103	2	Trimpot, 10K		
54	19-311105	1	Trimpot, 1 Meg		
55	27-120104	19	Capacitor, Ceramic Disc Bypass, .1 uf		
56	27-101102	7	" " " .001 uf		
57	24-250105	6	" Electrolytic, 1 uf, 25V		
58	24-250505	3	" " 5 uf, 25V		
59	24-160107	2	" " 100 uf, 16V		
60	24-060257	1	" " 250 uf, 6V		
61	24-250478	1	" " 4700 uf, 25V		
62	24-200808	1	" " 8000 uf, 16V		
63	28-101221	1	" Dipped Mica, 220 pf		
64	29-001	1	" Tantalum, 100 uf, 10V		
65	69-001	1	Switch, DPDT		
66	78-06002	1	Heatsink, Thermalloy #6111B-66		
67	78-06003	2	HEATSINK, THERMALLOY #6011B		
68	72-1610S	2	Screw, Machine, , Pan Hd., Phil., 6-32 x 5/8"		
69	75-056	2	Washer, Lock, Internal Star, #6		
70	75-916S	2	Nut, Machine, Hex, 6-32		
71	72-1412S	2	Screw, Machine, , Pan Hd., Phil., 4-40 x 3/4"		
72	75-044	2	Washer, Split Lock, #4		
73	75-914S	2	Nut, Hex, 4-40		
74	003111	1	Printed Circuit Board, #90124		
75	10-5184	2	Resistor, Carbon, 5%, ¼W, 180K ohm		
76	27-101103	1	Capacitor, Ceramic Disc, .01 uf		
77	24-250507	3	Capacitor, Electrolytic, 500uf, 25V		
78	10-5332	8	RESISTOR CARBON, 5%, ¼W, 3.3K OHM		
79	31-A14F	4	Diode, G.E. Type A14F		

TANK

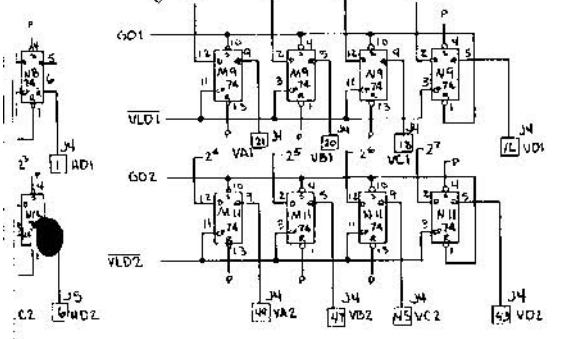
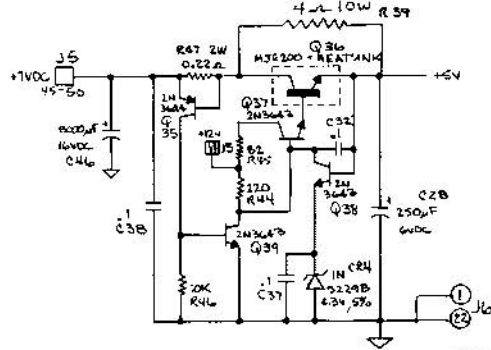
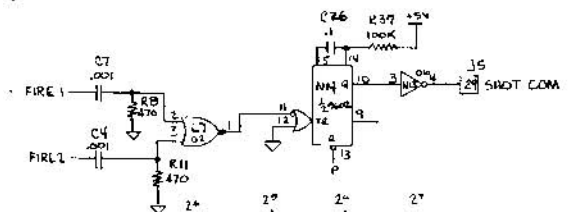
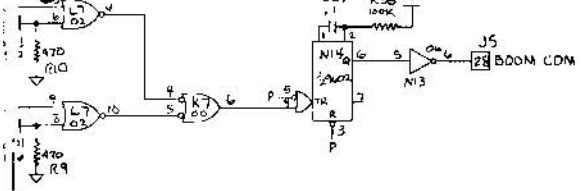
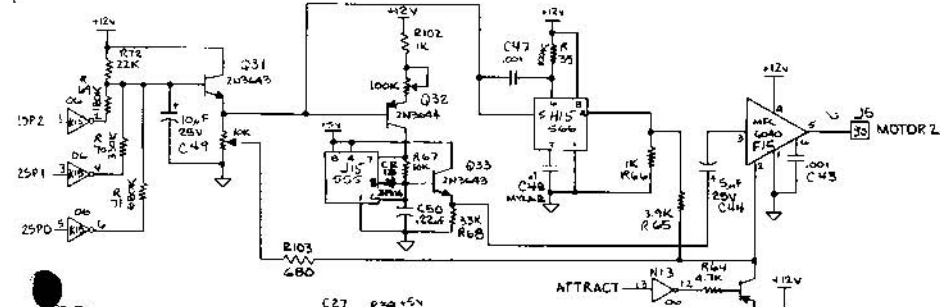
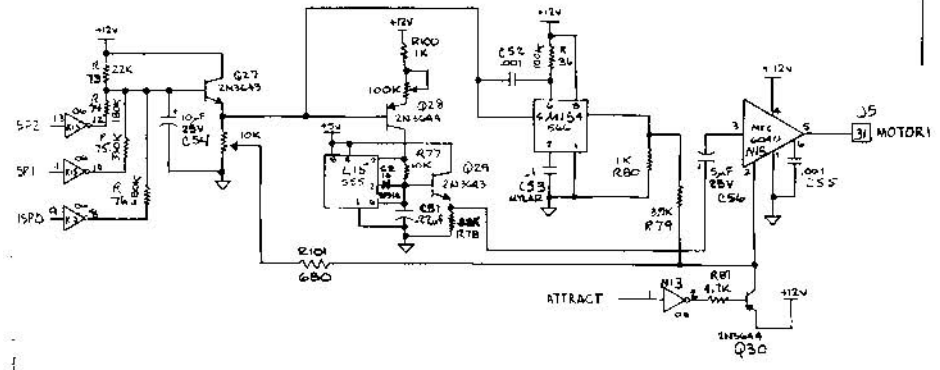


ASSEMBLY TITLE	TANK - BOARD 2	P/L 003112
PARTS LIST SPECIFICATION		Page 1 of 2
Drawn		
Checked	M.J. 8/25/75	Mech. Eng.
Proj. Eng.	A. Rain 3 JAN 75	Elec. Eng. A. Rain 3 JAN 75
		REV. G

Rev.	Description	Date	Apprv.	Rev.	Description	Date	Apprv.
D	PROD REF	11-22	AK				
D	Incorporates ECN 74-120	11-26	AK				
D	Incorporates ECN 74-122	12-11	AK				
F	PER ECN 1047	7/3/75	AK				
G	PER ECN 1482	6/11/75	AK				

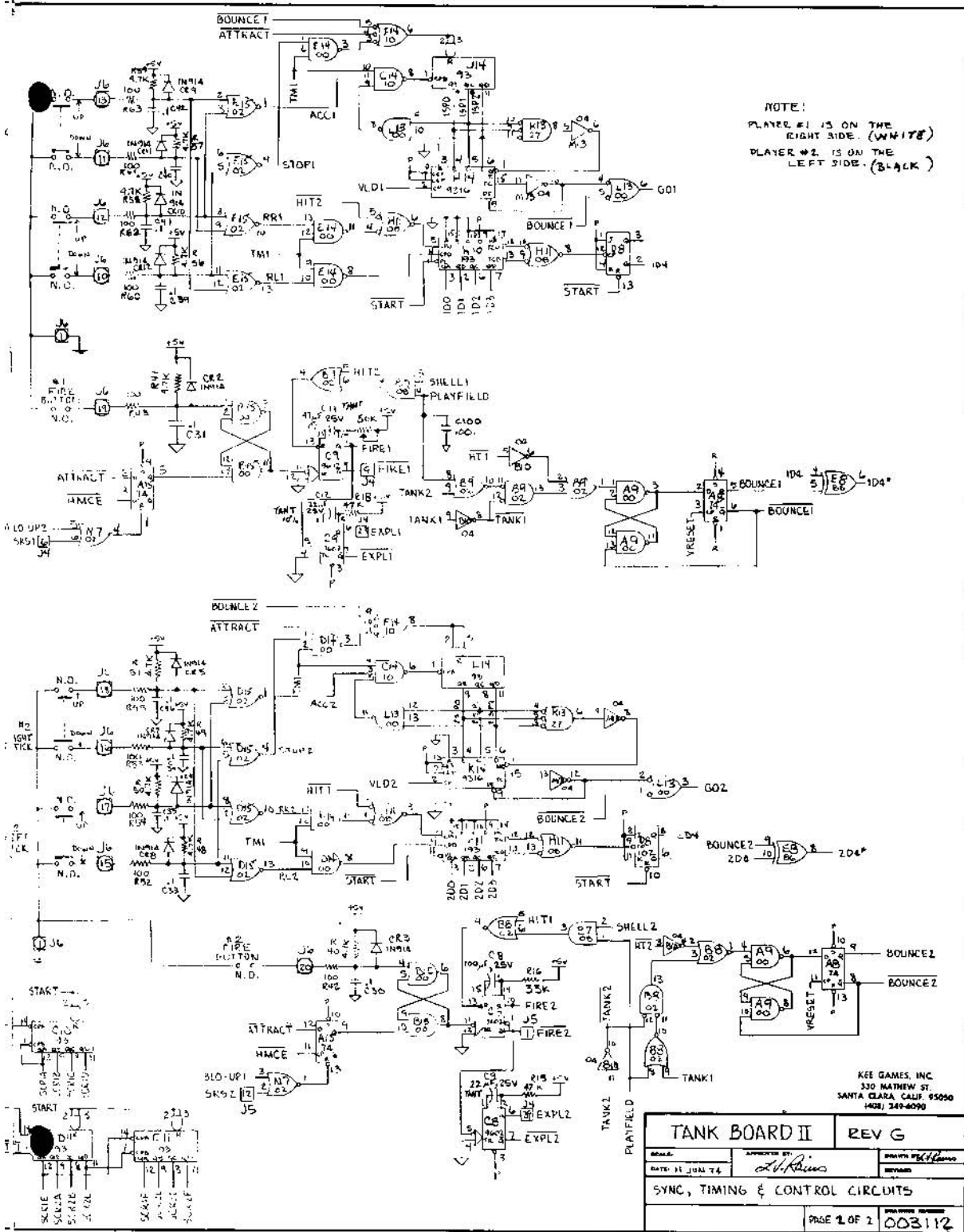
Item	Part Number	Qty.	DESCRIPTION
1	37-7400	12	Integrated Circuit, 7400
2	37-7402	11	" " 7402
3	37-7404	4	" " 7404
4	37-74H04	1	" " 74H04
5	37-7406	3	" " 7406
6	37-7408	4	" " 7408
7	37-7410	6	" " 7410
8	37-7420	2	" " 7420
9	37-7427	1	" " 7427
10	37-7474	16	" " 7474
11	37-7486	2	" " 7486
12	37-7492	1	" " 7492
13	37-7493	7	" " 7493
14	37-74107	3	" " 74107
15	37-74153	5	" " 74153
16	37-74165	1	" " 74165
17	90-2006	1	16K Tank Rom E.A. #4800SD
18	37-74193	2	Integrated Circuit, 74193
19	37-8277	1	" " 8277
20	37-9316	4	" " 9316
21	37-9321	1	" " 9321
22	37-9322	4	" " 9322
23	37-9602	3	" " 9602
24	37-555	2	" " 555
25	37-556	1	" " 556
26	37-566	2	" " 566
27	37-MFC6040	2	" " MFC 6040
28	10-5101	10	Resistor, Carbon, 5%, 1/4 Watt, 100 ohm
29	10-5102	12	" " " " 1K ohm
30	10-5103	3	" " " " 10K ohm
31	10-5104	4	" " " " 100K ohm
32	10-5221	1	" " " " 220 ohm
33	10-5223	2	" " " " 22K ohm
34	10-5331	2	" " " " 330 ohm
35	10-5333	3	" " " " 33K ohm
36	10-5334	2	" " " " 330K ohm
37	10-5392	2	" " " " 3.9K ohm
38	10-5471	6	" " " " 470 ohm

SYN	DESCRIPTION	DATE	APPN
F	REV PER ECN 1047		
G	REV PER ECN 1482		



KEE GAMES, INC.
 130 MATHEW ST.
 SANTA CLARA, CALIF. 95050
 (408) 249-8090

TANK BOARD II		REV G
DATE: 10 JUNE 78	DESIGNED BY: <i>[Signature]</i>	DRAWN BY: <i>[Signature]</i>
ROM MUXING, PLAYFIELD, MINEFIELD, SOUND		
PAGE 8 OF 2	003112	




NOTE:
 PLAYER #1 IS ON THE
 RIGHT SIDE (WHITE)
 PLAYER #2 IS ON THE
 LEFT SIDE (BLACK)

KEE GAMES, INC.
 330 MATHEW ST.
 SANTA CLARA, CALIF. 95050
 (408) 241-6090

TANK BOARD II		REV G
SCALE:	APPROVED BY:	DESIGNED BY: <i>W. H. H.</i>
DATE: 31 JUL 74	<i>W. H. H.</i>	REVISION:
SYNC, TIMING & CONTROL CIRCUITS		
DRAWING NUMBER:		003112
PAGE 2 OF 2		

SYM	DESCRIPTION	DATE	APPV
F	REV PER ECN 1047	8/28/75	EA
G	REV PER ECN 1482	8/28/75	EA

APPROVED FOR DRAWING PER ECN 1482		DATE P.C.S. 12/74		 ATARI INCORPORATED 1420 Windster Boulevard Los Gatos, California 95030
		CHECKED BY DATE 10 JAN 75		
DESIGNER DATE 10 JAN 75		DRAWN BY DATE 10 JAN 75		ASSEMBLY TANK BD. II
MATERIAL		CHECKED BY DATE 7/10/75		
PART NO. QTY. IN _____ _____ _____ _____ _____ _____		D 0003112 G		

3
↑
2
1
B
A

PARTS LIST SPECIFICATION

Item	Part Number	Qty.	DESCRIPTION	Rev	G
39	10-5472	14	Resistor, Carbon, 5%, 1/4 Watt, 4.7K ohm		
40	10-5473	1	" " " " 47K ohm		
41	10-5561	2	" " " " 560 ohm		
42	10-5681	4	" " " " 680 ohm		
43	10-5682	8	" " " " 6.8K ohm		
44	10-5820	1	" " " " 82 ohm		
45	10-5184	2	" " " " 180K ohm		
46	10-5185	2	" " " " 1.8M ohm		
47	13-5P22	1	" " " 2 Watt, .22 ohm		
48	19-808W4PO	1	" Wirewound, 20%, 10W, 4 ohm		
49	31-1N914	13	Diode, 1N 914		
50	32-1N5229	1	Diode, Zener, 1N 5229B, 4.3V, 5%, Motorola		
51	34-2N3643	7	Transistor, 2N 3643		
52	33-2N3644	5	Transistor, 2N 3644		
53	34-MJE200	1	Transistor, MJE 200		
54	19-311103	2	Trimpot, 10K		
55	19-311503	1	Trimpot, 50K		
56	90-101	1	Crystal, 14.31818 mhz		
57	27-120104	26	Capacitor, Ceramic Disc Bypass, .1 uf		
58	27-101103	2	" " " .01 uf		
59	27-250105	9	" " " .001 uf		
60	28-101101	3	" Dipped Mica, 100 pf		
61	29-004	2	" Tantalum, 1 uf, 6V		
62	29-003	2	" " 22 uf, 6V		
63	29-001	2	" " 100 uf, 10V		
64	21-101224	2	" Mylar, .22 uf		
65	24-250505	2	" Electrolytic, 5 uf, 25V		
66	24-250106	3	" " 10 uf, 25V		
67	24-060257	1	" " 250 uf, 6V		
68	24-200808	1	" " 8000 uf, 16V		
69	79-42424	1	Socket, 24 pin		
70	78-06002	1	Heatsink, Thermalloy #6111B-66		
71	55-6125	4	Flex Strip Jumper, 25 Conductor, Ansley #FSN-23A		
72	72-1412S	2	Screw, Machine, , Pan Hd., Phil., 4-40 x 3/4"		
73	75-044	2	Washer, Split Lock, #4		
74	75-914S	2	Nut, Hex 4-40		
75	003113	1	Printed Circuit Board, #90125		
76	10-5684	2	Resistor, Carbon, 5%, 1/4W, 680K ohm		
77	19311104	2	Trimpot, 100K ohm		
78	21-101104	2	Capacitor, Mylar .1 uf		
79	_____	1	Jumper, (30 AWG, Insulated)		

