

TUTANKHAM



ELECTRONICS, INC.

1725 Diversey Parkway, Chicago, Illinois 60614
(312) 935-4600, Telex 25-4657
Toll Free Service Assistance (800) 621-6424
Illinois only (800) 572-1948

- The object of the game is to find the hidden treasure deep in the pyramid.
- Advance carefully either avoiding or destroying the nasties and pick up keys in the maze (ONE AT A TIME) and open the doors to hidden treasure. You can only pick up one key at a time. You must bring that key to the door at the end of the maze, then go back and pick up the next key until all keys are picked up. The number of keys per rack are indicated by the number of locks on the door at the end of the maze.
- While advancing through the maze, player may also pick up bonus treasure in various tunnels.
- Warp Zone: Player uses these passages to avoid nasties. Nasties do not pass through these zones.
- The player may move in four directions, **but may only shoot left and right.**
- The **Flash Button** may be used to destroy all nasties at once.
- Each stage is time controlled: The faster the stage is completed, the greater the bonus score. If the time runs out prior to finishing the stage, the player loses firing capability.

YOUR UNIT AS SHIPPED HAS THE DIP SWITCHES SET AS NOTED BY THE ASTERISK NOTATION ON THE PAGE LISTING DIP SWITCH SETTINGS. THE BONUS LEVEL, (WHERE THE PLAYER GAINS AN ADDITIONAL LIFE) **DIFFICULTY LEVEL** AND NUMBER OF FLASH BOMBS AVAILABLE ARE ADJUSTABLE VIA DIP SWITCH VARIATIONS.

DIP-1 SW SETTING

1. COIN-1 SW SETTING

SW	4	3	2	1	COIN	PLAY
* _____	OFF	OFF	OFF	OFF	1	1
			OFF	ON	1	2
			ON	OFF	1	3
			ON	ON	1	4
	OFF	ON	OFF	OFF	1	5
			OFF	ON	1	6
			ON	OFF	1	7
			ON	ON	2	1
	ON	OFF	OFF	OFF	2	3
			OFF	ON	2	5
			ON	OFF	3	1
			ON	ON	3	2
	ON	ON	OFF	OFF	3	4
			OFF	ON	4	1
			ON	OFF	4	3
			ON	ON		FREE PLAY

2. COIN-2 SW SETTING

SW	8	7	6	5	COIN	PLAY
* _____	OFF	OFF	OFF	OFF	1	1
			OFF	ON	1	2
			ON	OFF	1	3
			ON	ON	1	4
	OFF	ON	OFF	OFF	1	5
			OFF	ON	1	6
			ON	OFF	1	7
			ON	ON	2	1
	ON	OFF	OFF	OFF	2	3
			OFF	ON	2	5
			ON	OFF	3	1
			ON	ON	3	2
	ON	ON	OFF	OFF	3	4
			OFF	ON	4	1
			ON	OFF	4	3
			ON	ON		INVALIDITY

DIP-2 SW SETTING

1. THE NUMBER OF PLAYER

SW	2	1	NUMBER
* _____	OFF	OFF	3
	ON	OFF	4
	OFF	ON	5
	ON	ON	2 5 6

2. SWITCH FOR CHANGE OF TABLE OR UPRIGHT

SW	3	TYPE
* _____	OFF	TABLE using I/O for 1 or 2 player
	ON	UPRIGHT Using I/O for only 1 player

3. BONUS SET

SW	4	BONUS POINT
* _____	OFF	30,000
	ON	40,000

4. DIFFICULTY OF THE GAME

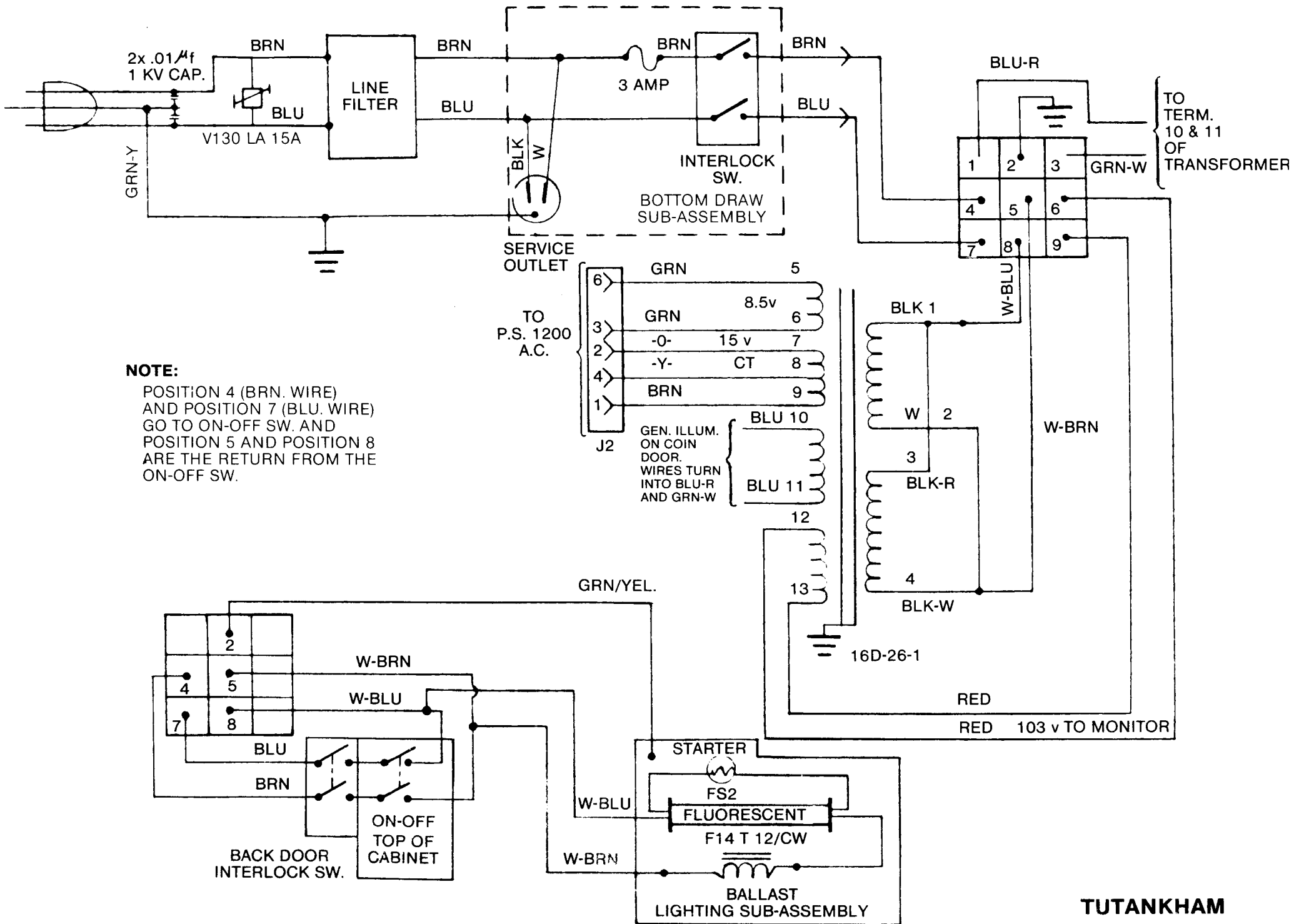
SW	6	5	DIFFICULTY
* _____	OFF	OFF	1 (easy)
	ON	OFF	2
	OFF	ON	3
	ON	ON	4 (difficult)

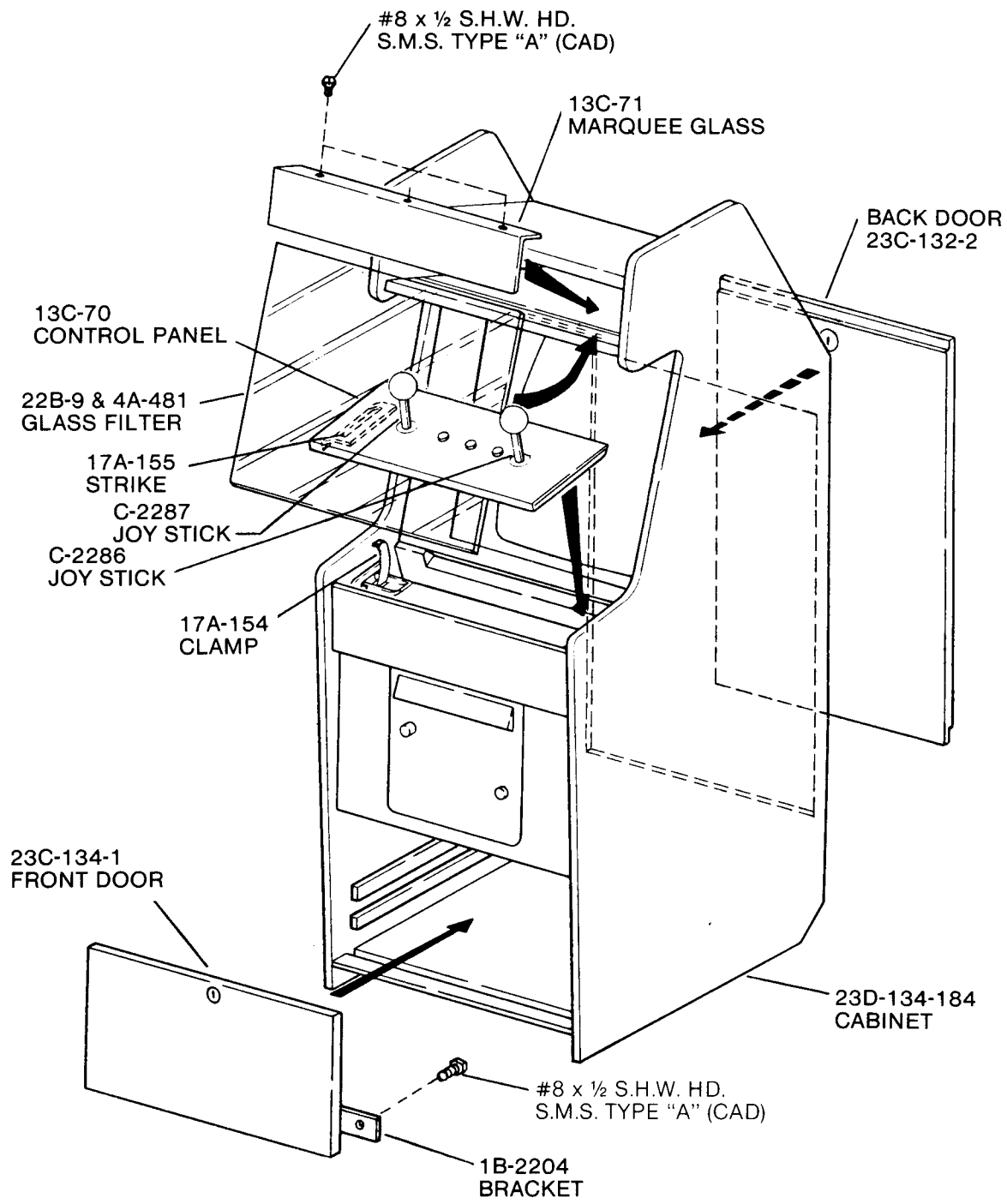
5. THE NUMBER OF FLASH BOMB

SW	7	THE NUMBER OF FLASH BOMB
* _____	OFF	1 BOMB PER LIFE
	ON	1 BOMB PER GAME
		EXTRA BOMB AT 30,000 PTS.

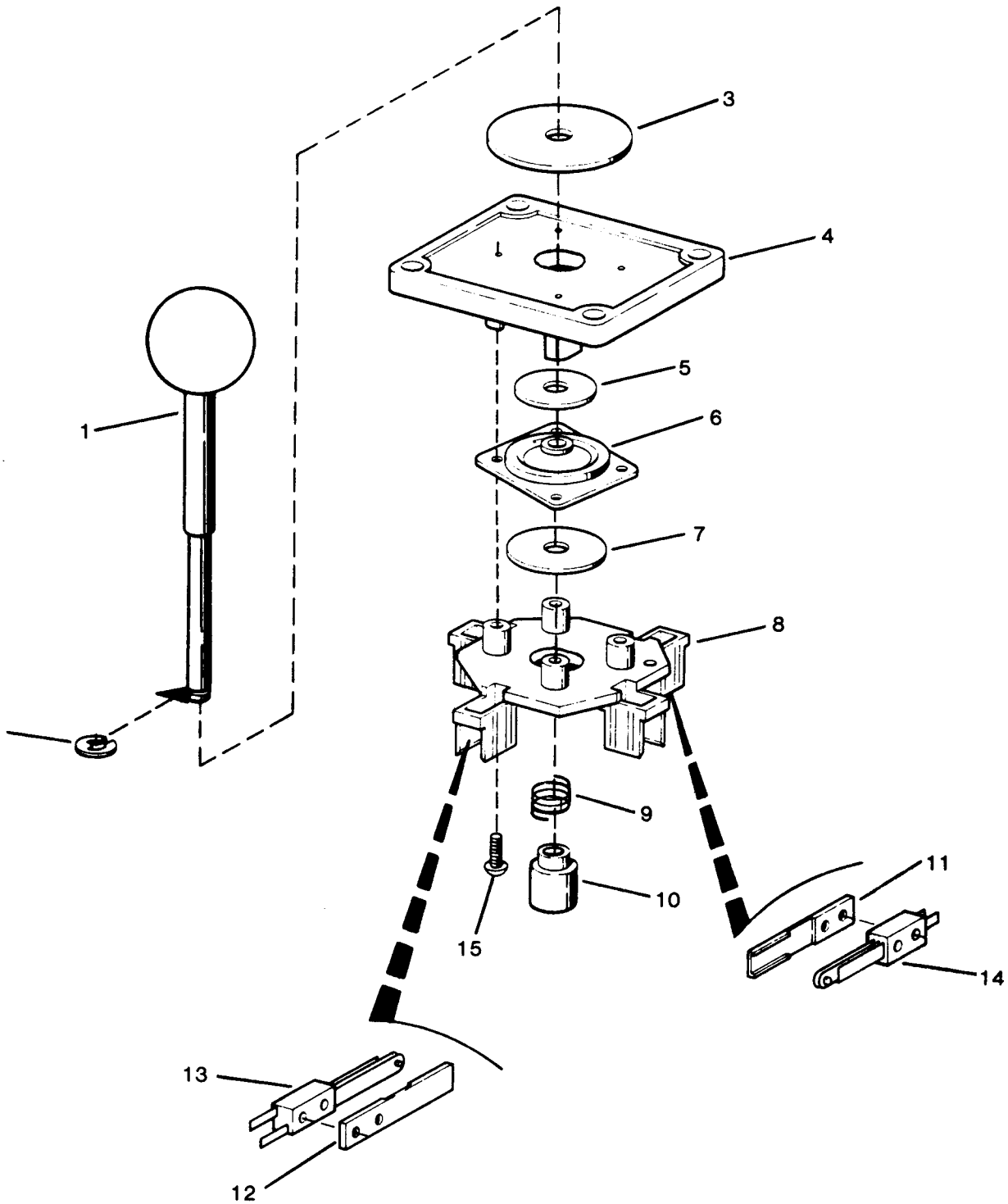
6. MUSIC IN ATTRACTIVE MODE

SW	8	MUSIC IN ATTRACTIVE MODE
* _____	OFF	OFF
	ON	ON





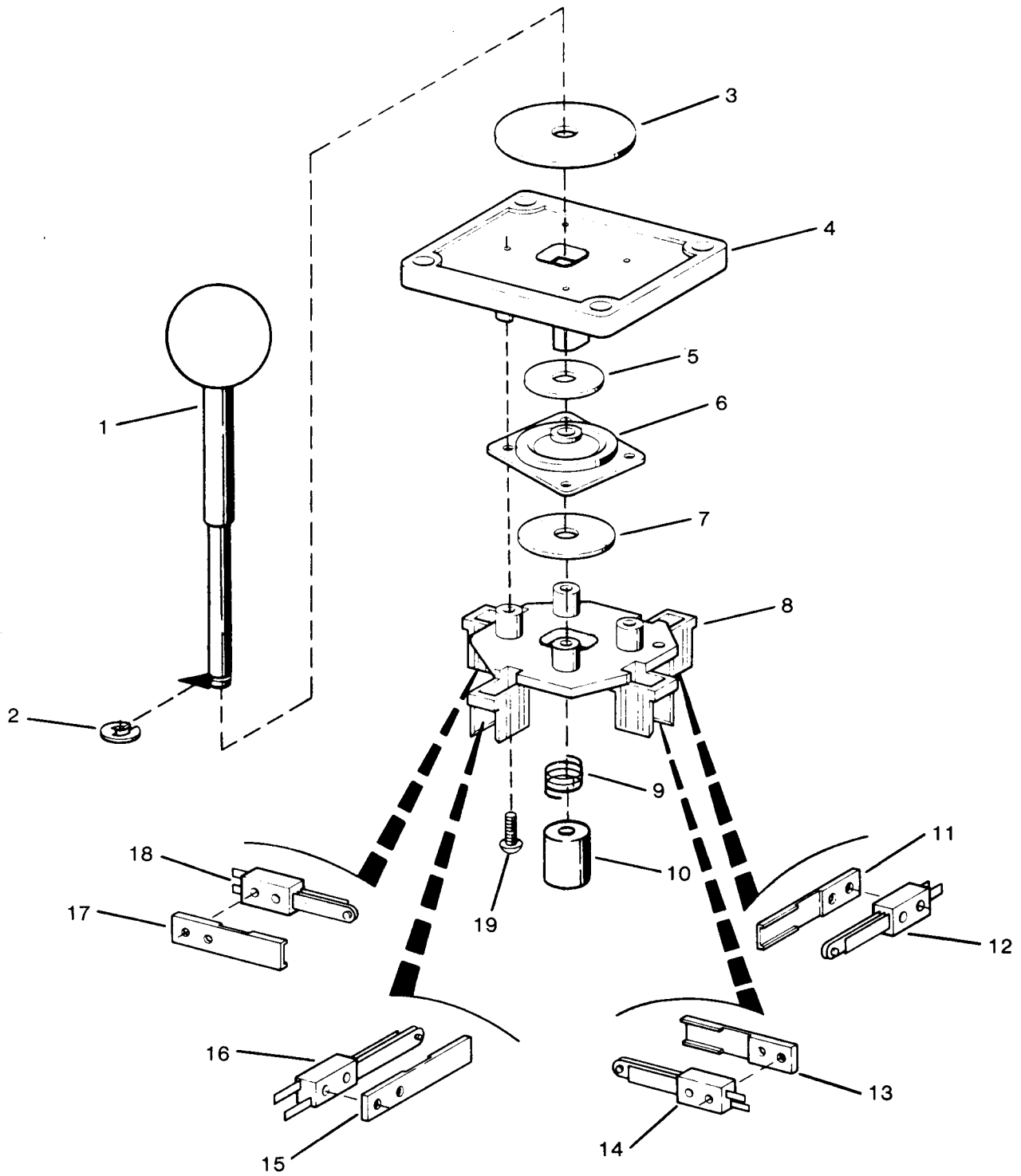
TUTANKHAM CABINET AND ASSOCIATED PARTS



JOY STICK ASSEMBLY C-2287 (2-WAY)

**ADDENDUM 23
PARTS LIST FOR
JOY STICK ASSEMBLY C-2287
SECTION 1**

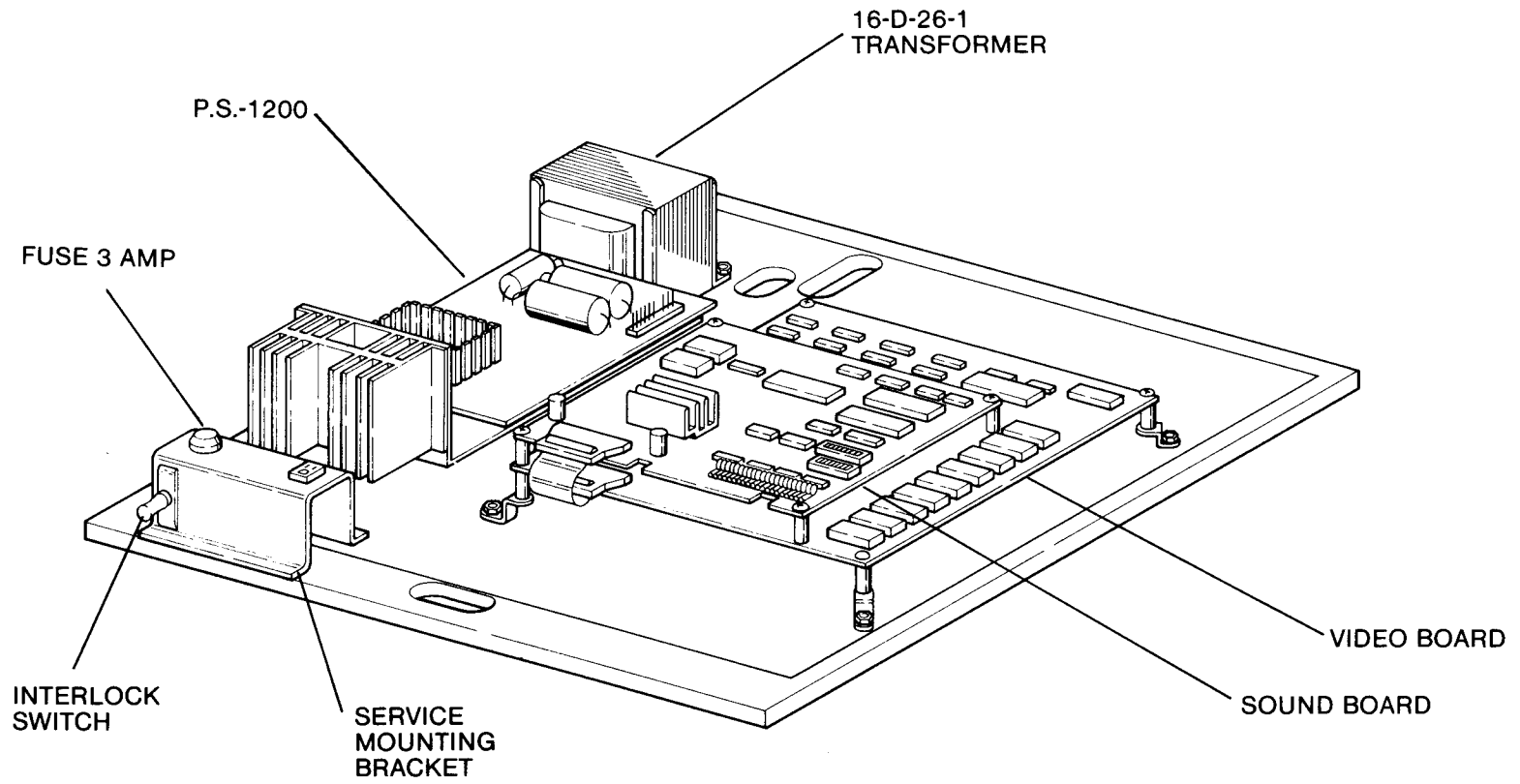
STERN PART NO.	DESCRIPTION	REFERENCE/ DESIGNATION
4A-457	Top Button	1
17A-104-37	Retaining Ring	2
3A-214	Washer	3
4A-492	Top Plate	4
3A-215	Washer	5
4A-456	Diaphragm	6
3A-216	Washer	7
4A-493	Switch Mounting Plate	8
5A-190	Spring	9
4A-453	Switch Actuator	10
4A-449	Plastic Guard Actuator	11, 12
8A-325-1	Moulded Switch	13, 14
31A-844	#6 x 1 Phil. R.H. SEMS	15



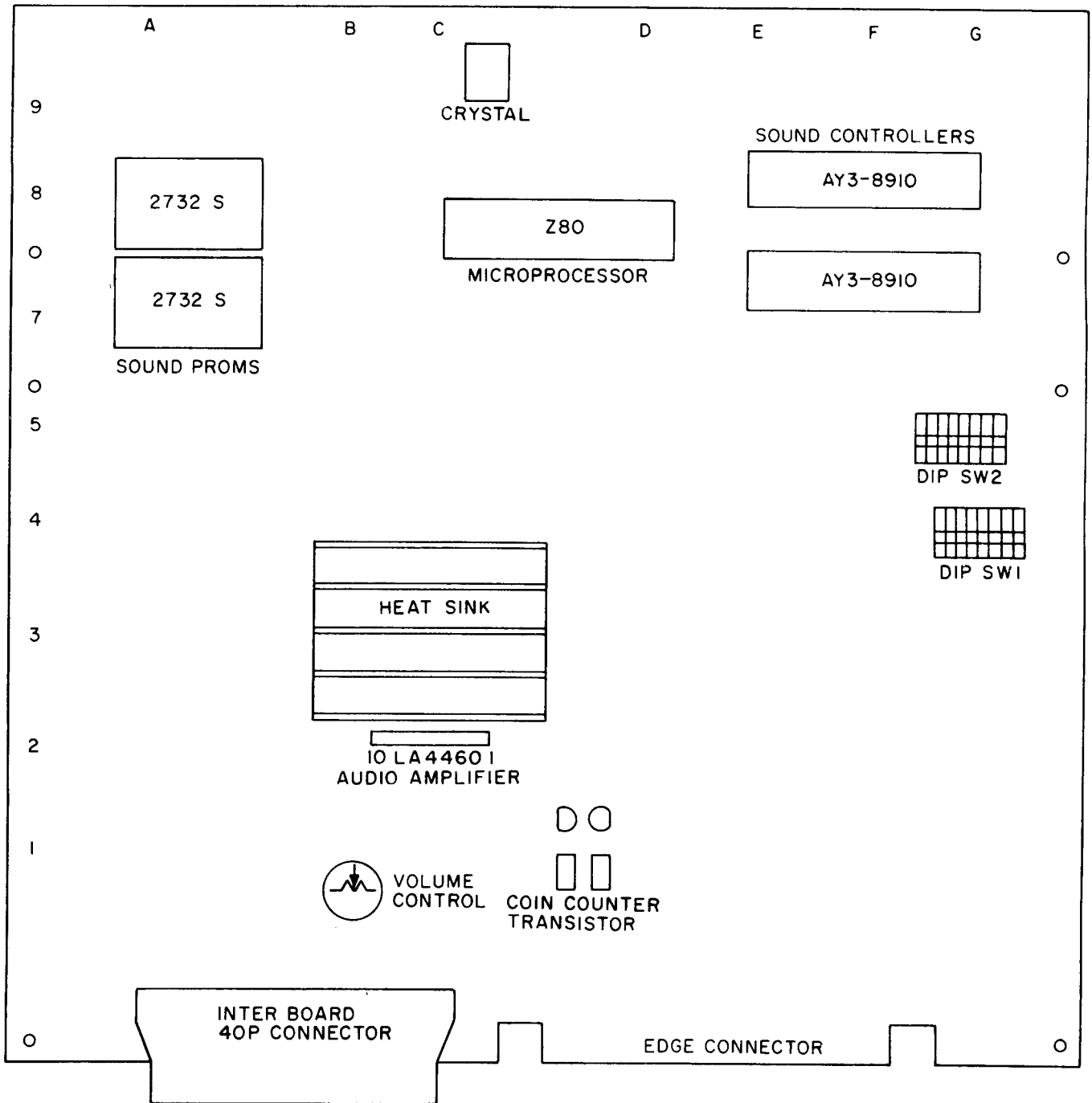
JOY STICK ASSEMBLY C-2286 (4-WAY)

**ADDENDUM 23
PARTS LIST FOR
JOY STICK ASSEMBLY C-2286
SECTION 1**

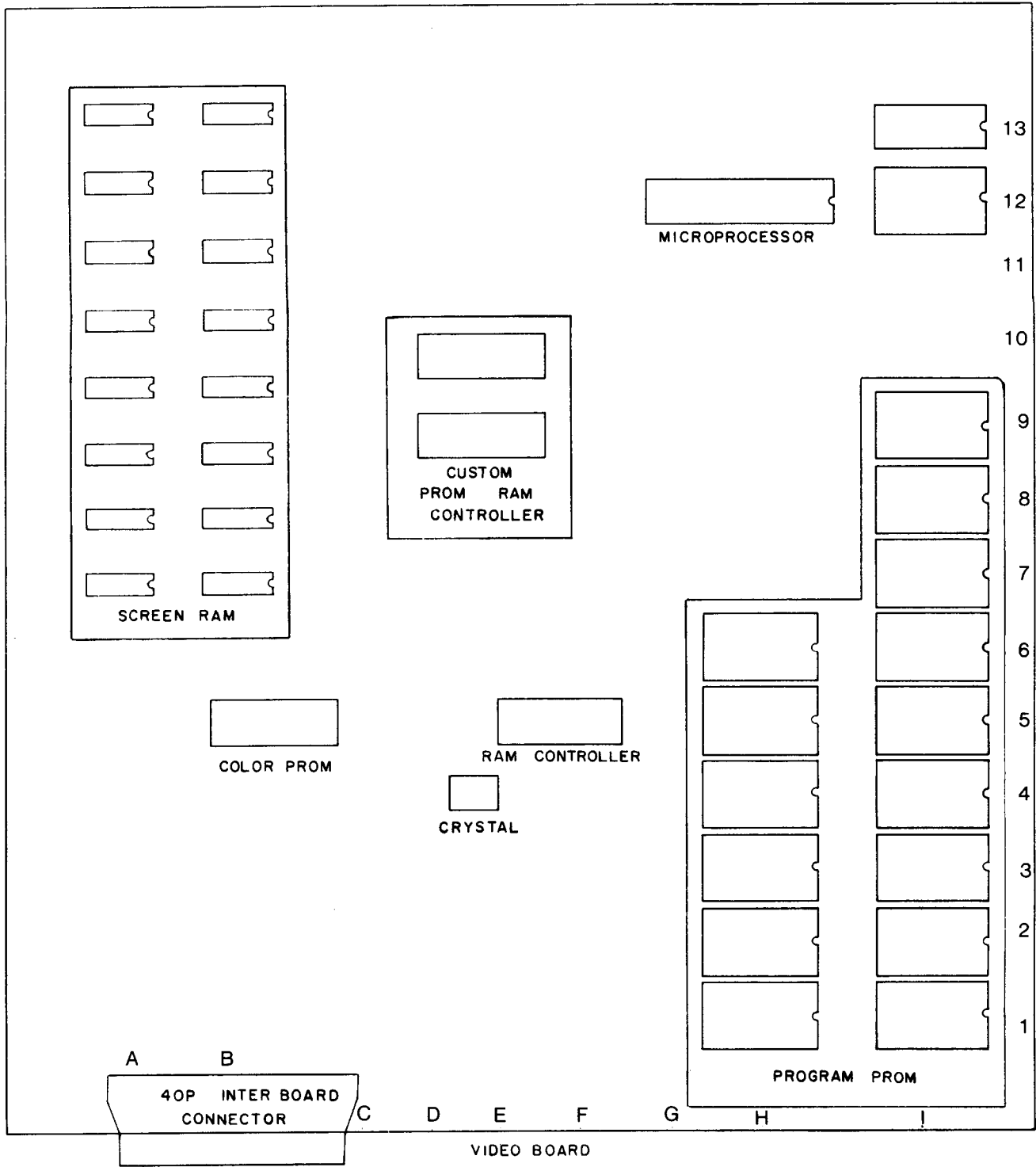
STERN PART NO.	DESCRIPTION	REFERENCE/ DESIGNATION
4A-457	Top Button	1
17A-104-37	Retaining Ring	2
3A-214	Washer	3
4A-458	Top Plate	4
3A-215	Washer	5
4A-456	Diaphragm	6
3A-216	Washer	7
4A-459	Switch Mounting Plate	8
5A-190	Spring	9
4A-460	Switch Actuator	10
4A-449	Plastic Guard Actuator	11, 13, 15, 17
8A-325-1	Moulded Switch	12, 14, 16, 18
31A-844	#6 x 1 Phil. R.H. SEMS	19



COMPONENT BOARD



SOUND BOARD



VIDEO BOARD

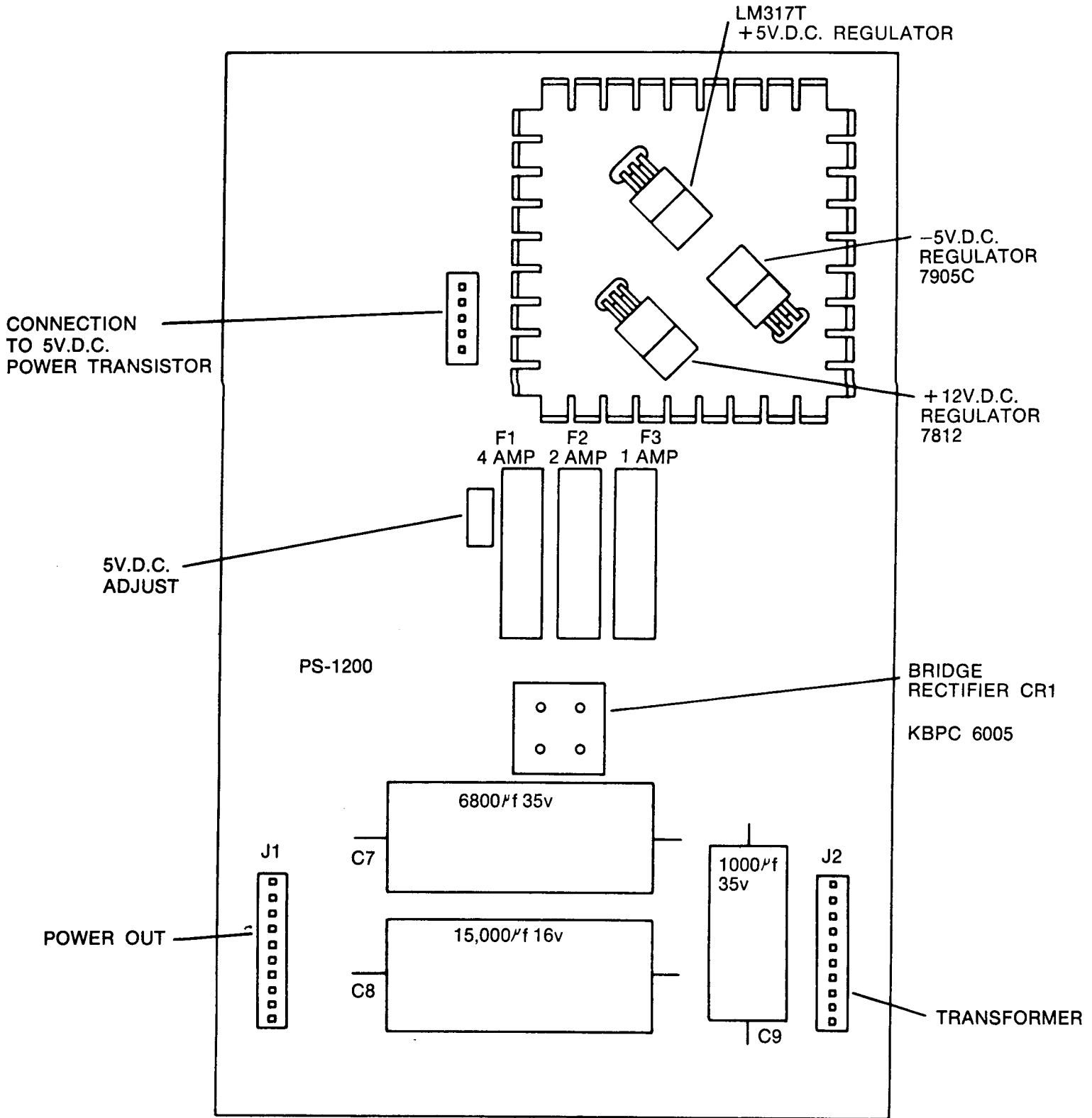


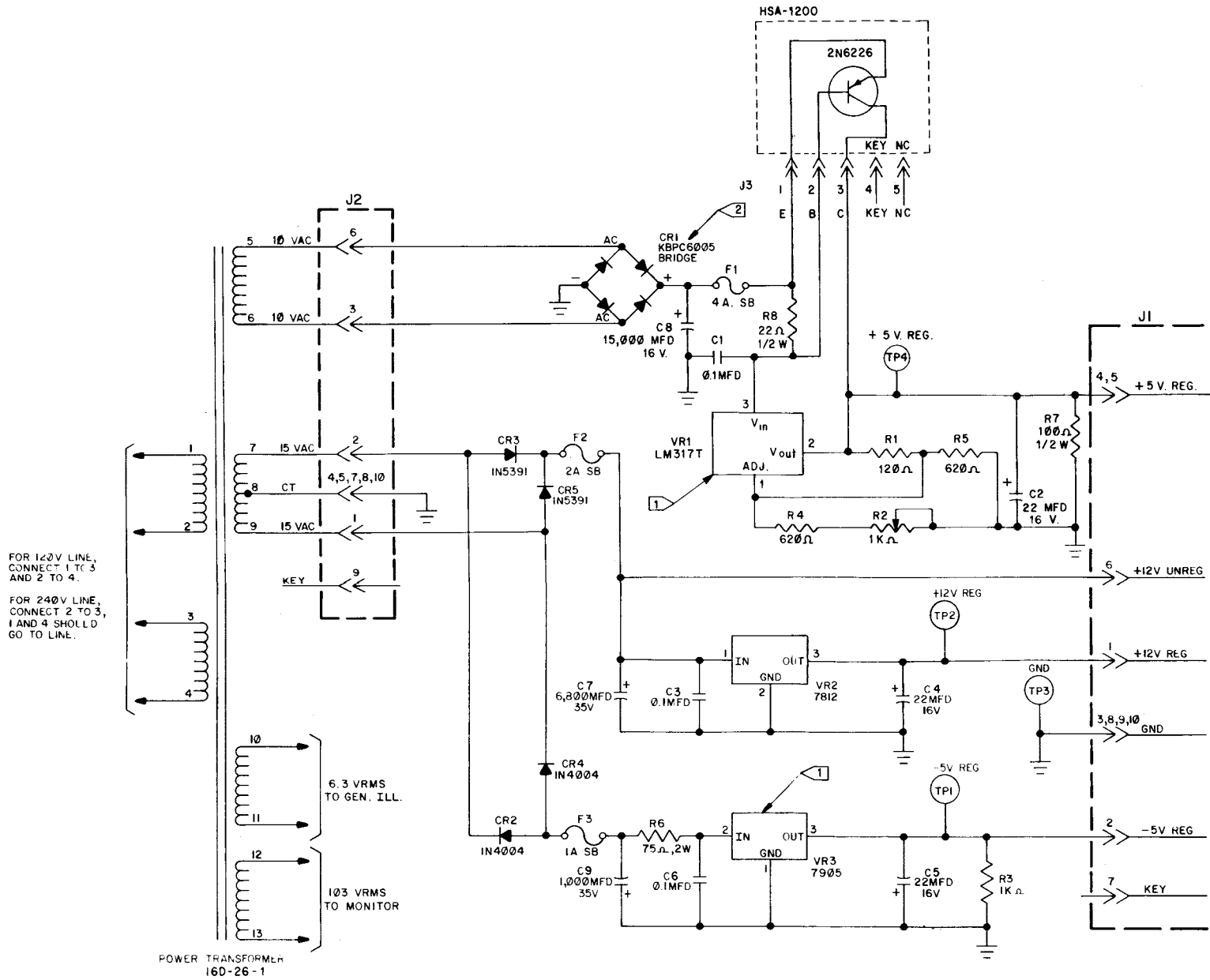
FIGURE 4. POWER SUPPLY BOARD PS-1200



ELECTRONICS, INC.

1725 Diversey Parkway, Chicago, Illinois 60614
(312) 935-4600, Telex 25-4657
Toll Free Service Assistance (800) 621-6424
Illinois only (800) 572-1948

REVISIONS				
SYM	DESCRIPTION	DATE	CHK DATE	APPD DATE
A	ISSUED E.I. 00922.	4/11/78	JL	



FOR 120V LINE, CONNECT 1 TO 3 AND 2 TO 4.
 FOR 240V LINE, CONNECT 2 TO 3, 1 AND 4 SHOULD GO TO LINE.

POWER TRANSFORMER 160-26-1

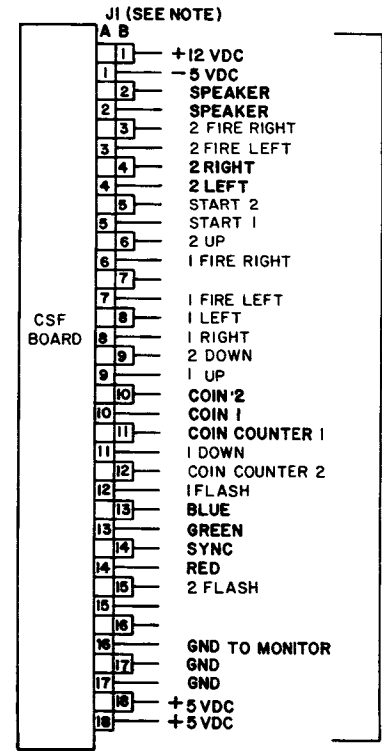
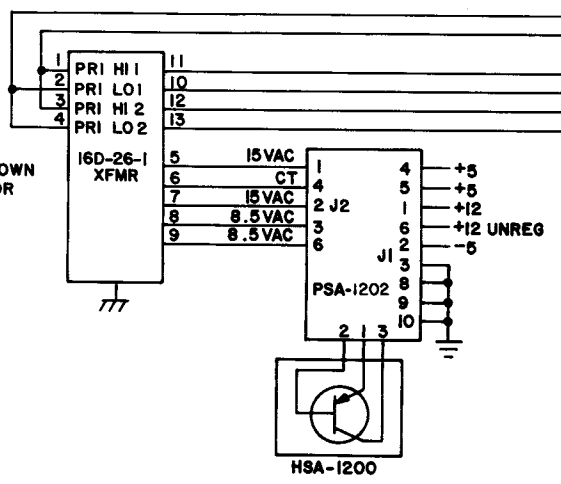
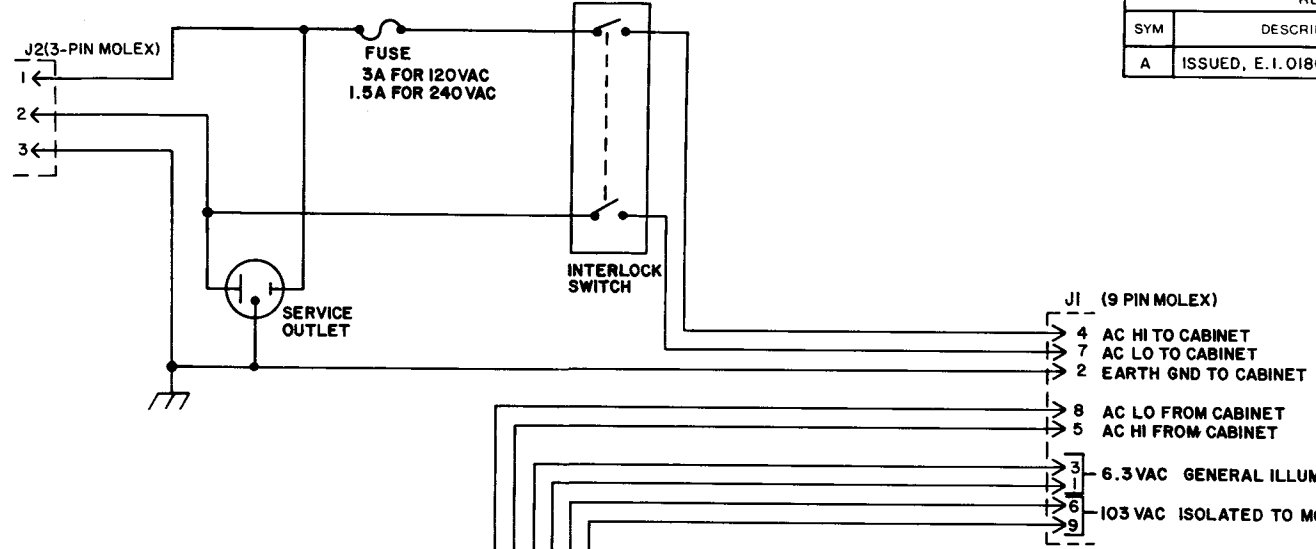
- NOTES
- 1 SHOULDER WASHER REQUIRED ON MOUNTING STUD
 - 2 GENERAL INSTRUMENTS.

STERN ELECTRONICS, INC.
 1725 Diversy Parkway, Chicago, Illinois 60614
 (312) 935-6600, Telex 25-4651
 Toll Free Service Assistance (800) 621-6424

SCHEMATIC, POWER SUPPLY P.C. BOARD
34C-978-S

34C-978-S

REVISIONS				
SYM	DESCRIPTION	DET DATE	CHK DATE	APPD DATE
A	ISSUED, E. I. 01800	J.S. 1/18/80	J.M. 1/18/80	J.M. 1/18/80



J1 TO
TUTANKHAM
SOUND & PROCESSOR
BOARD.

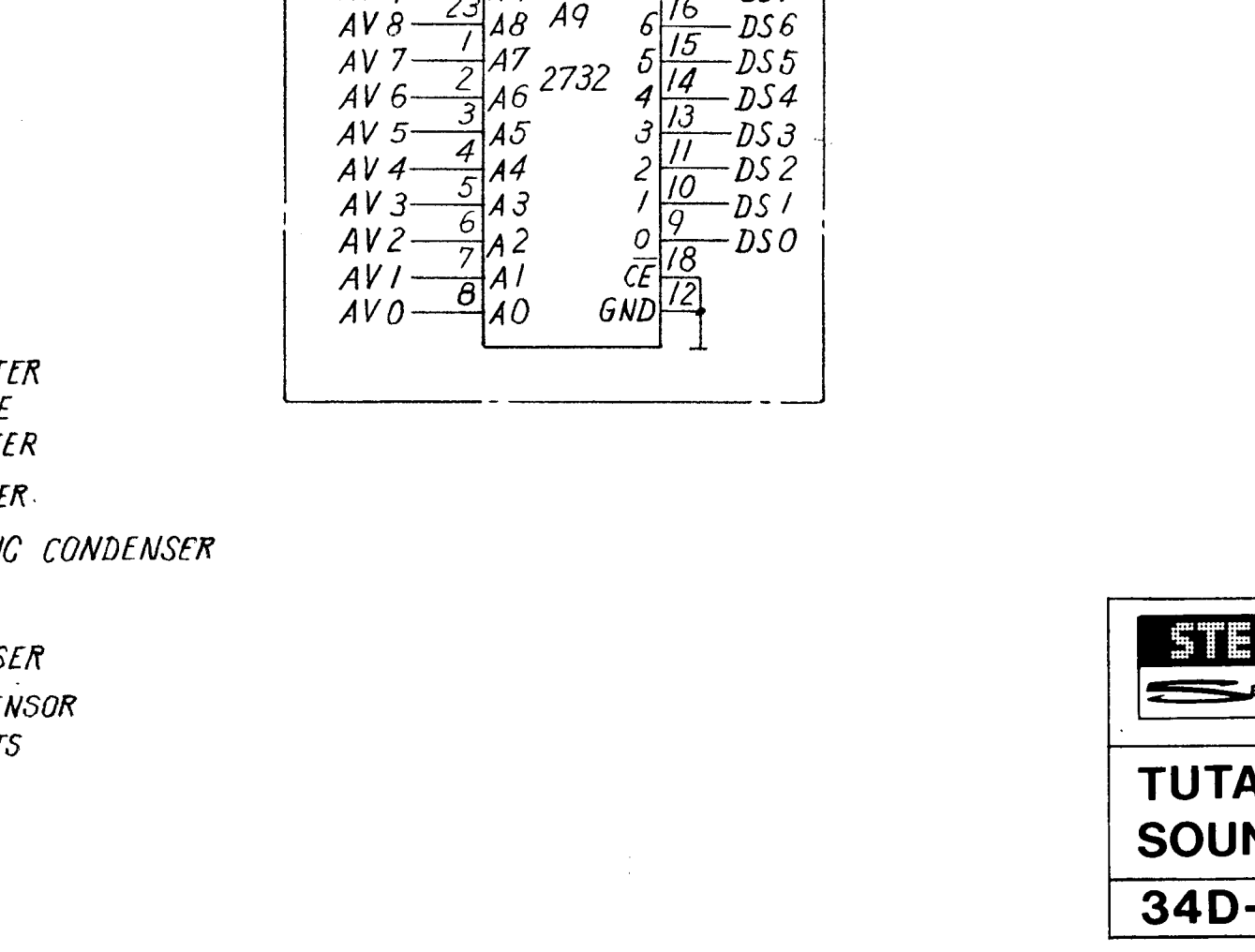
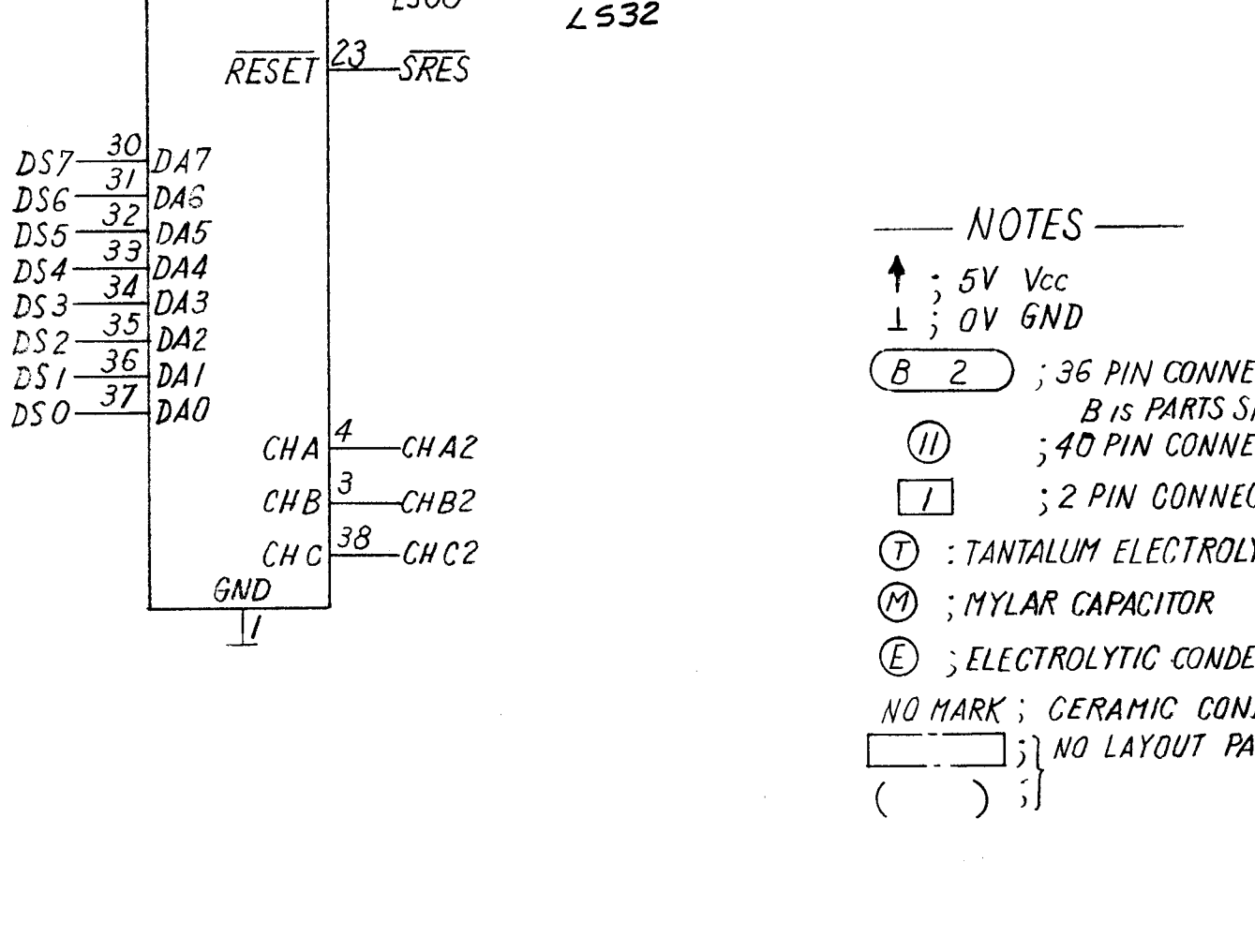
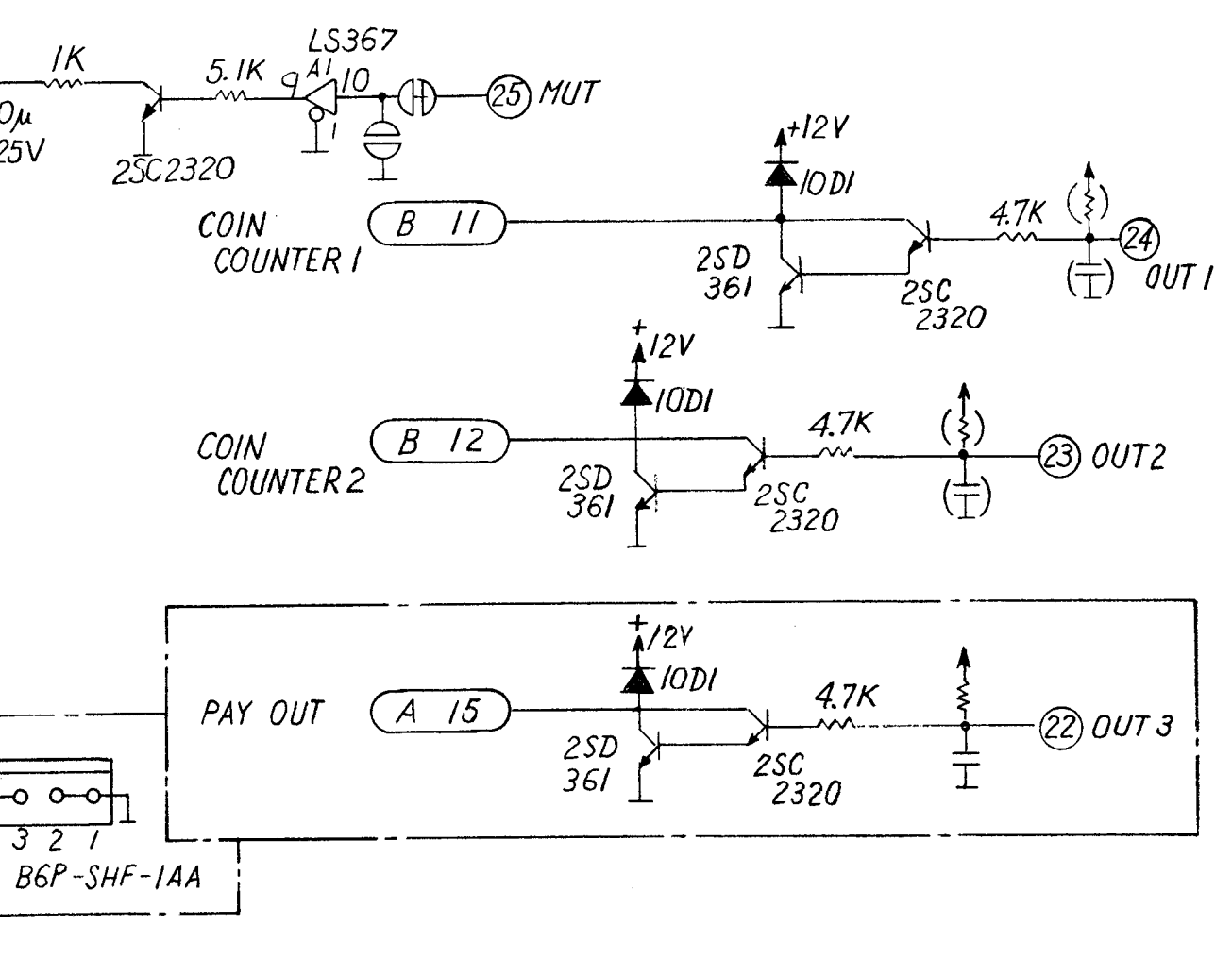
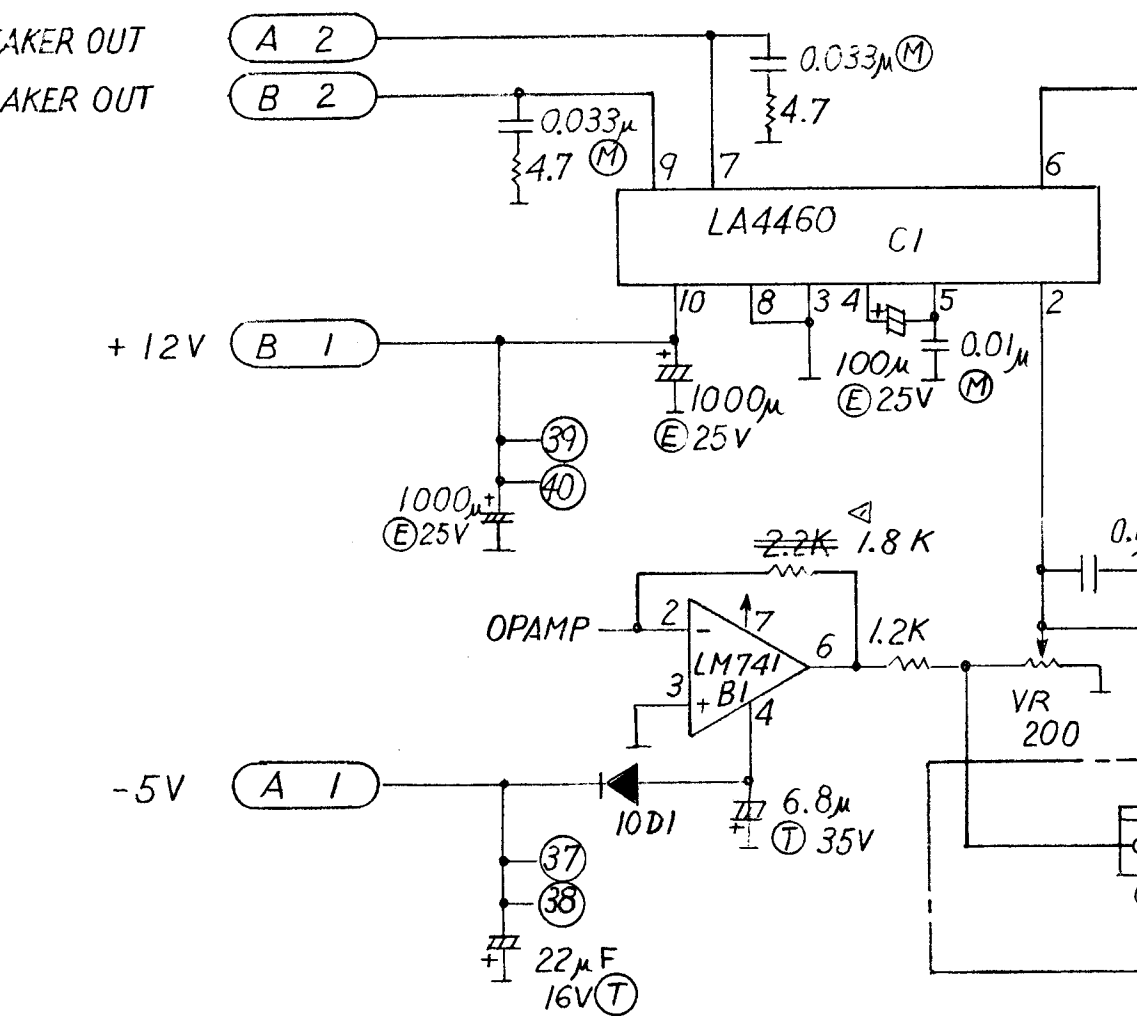
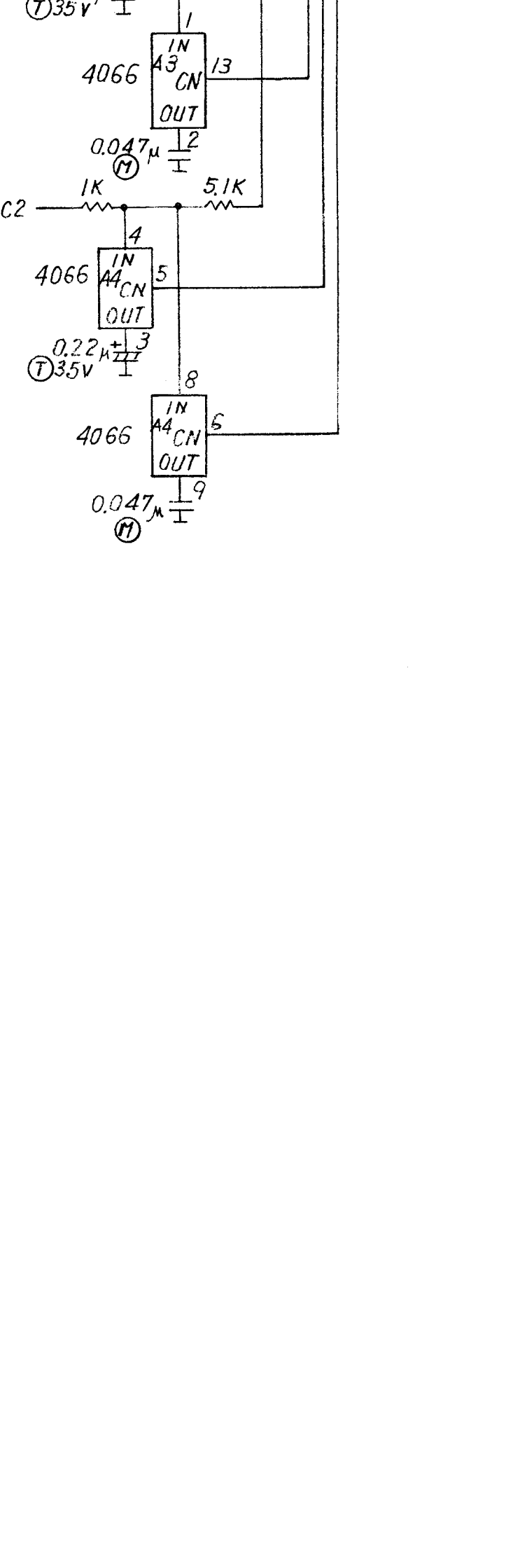
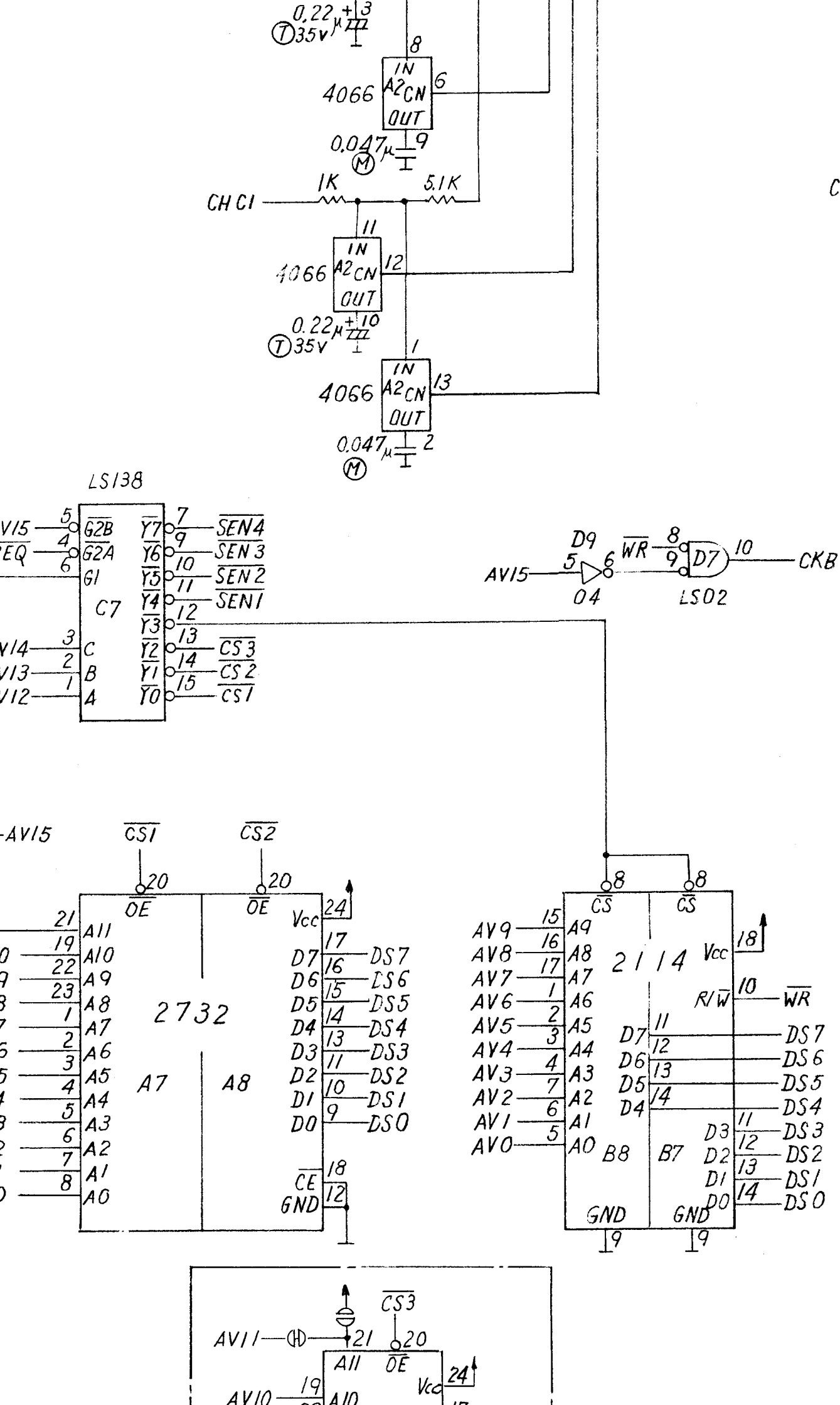
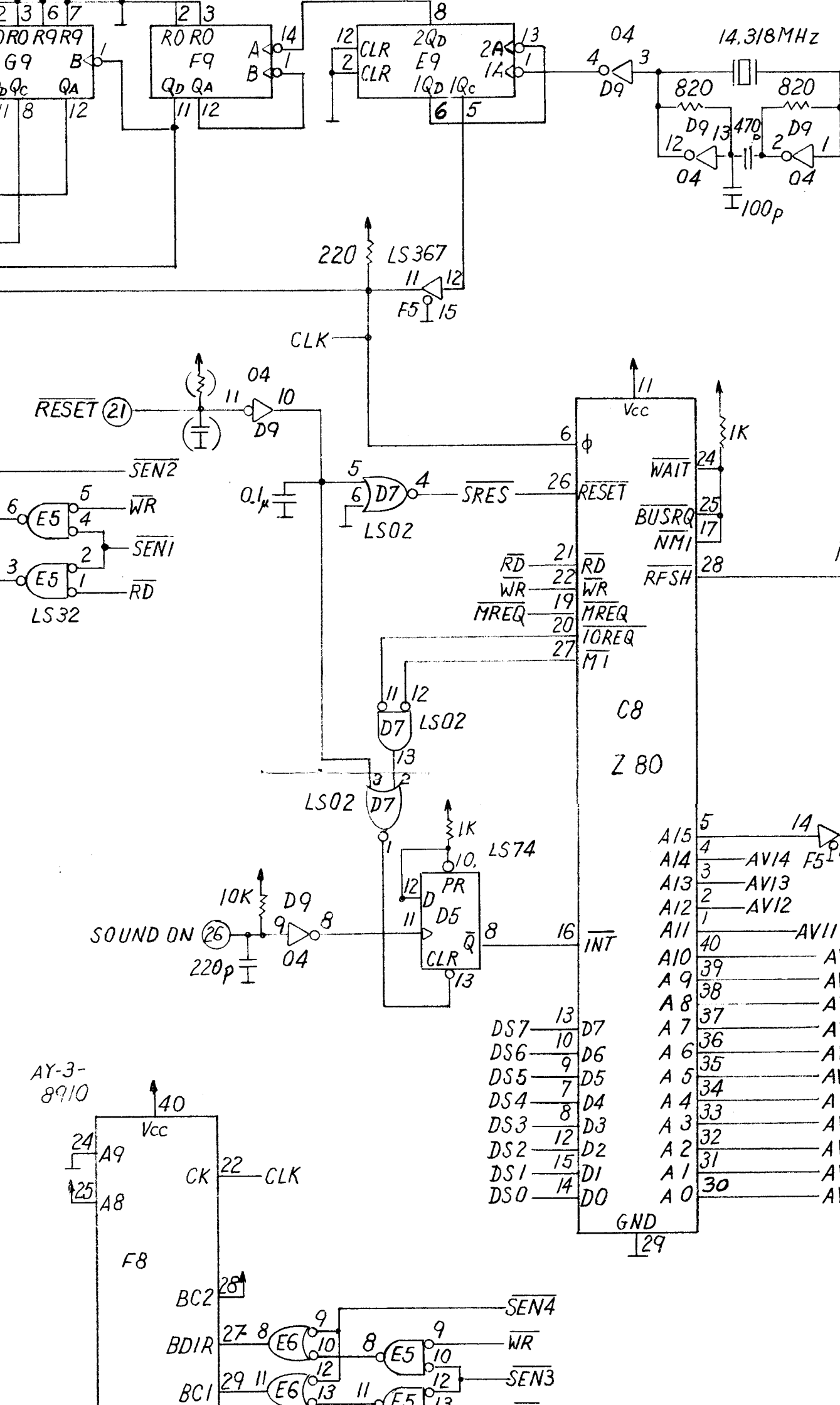
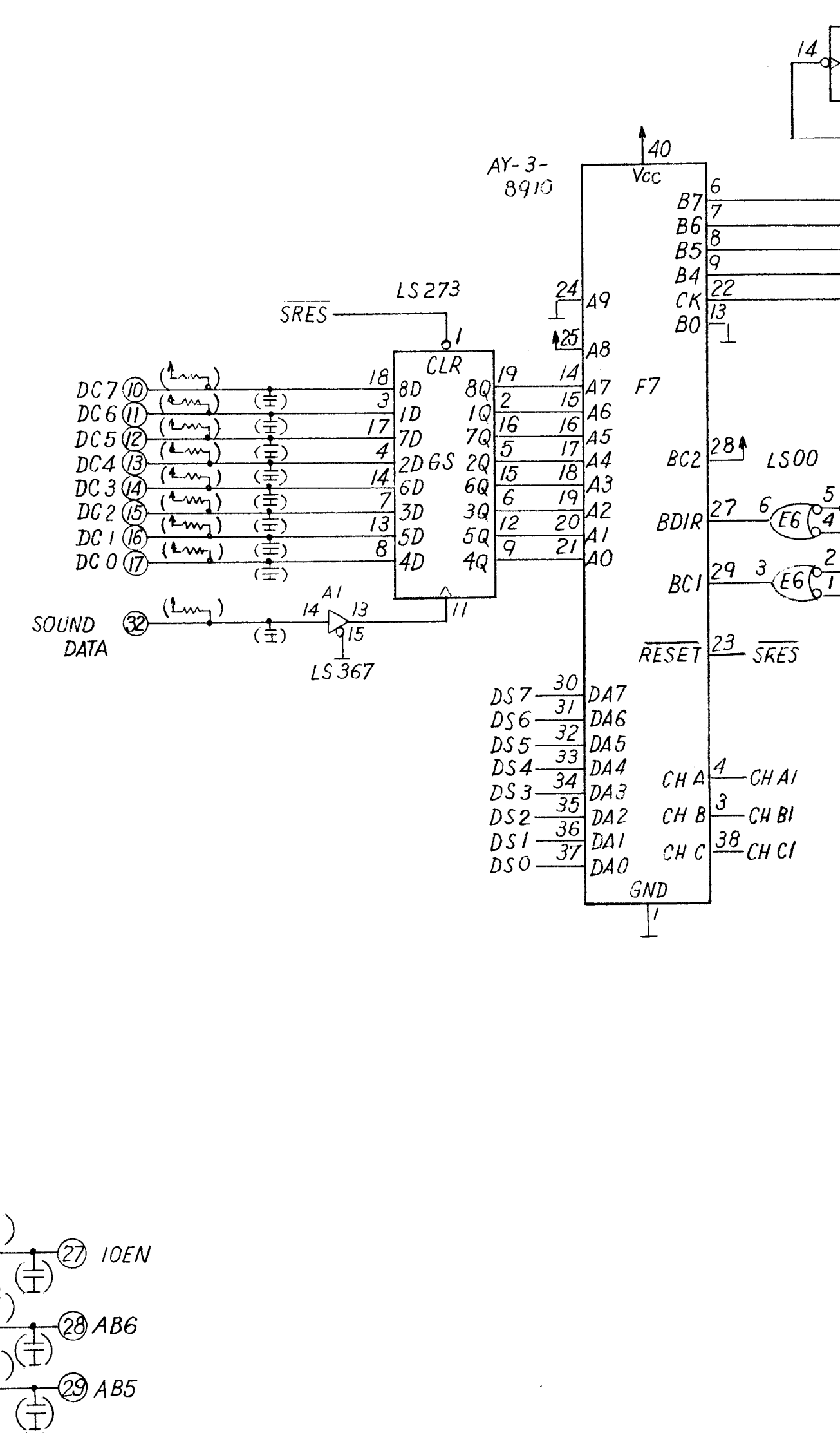
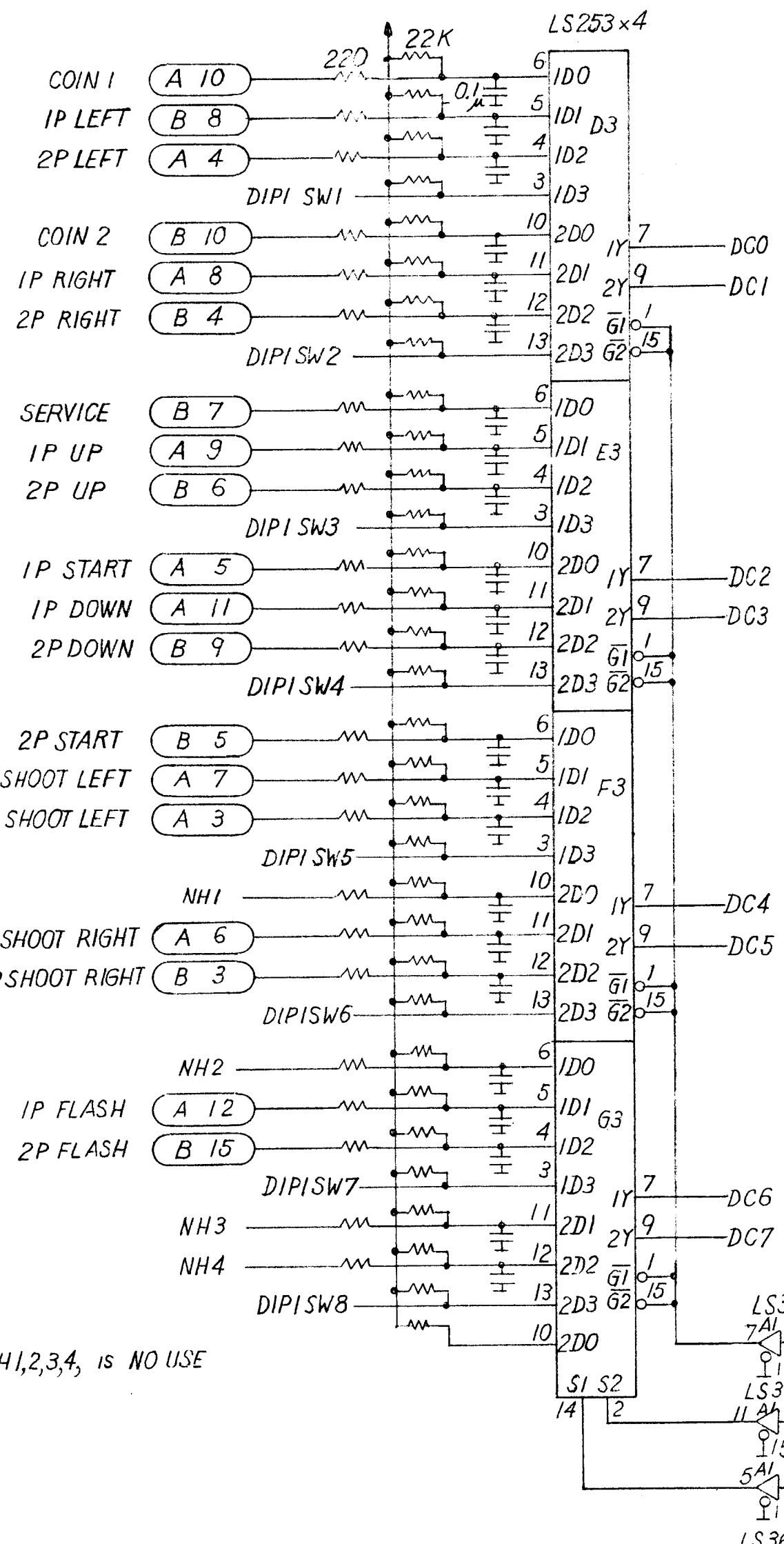
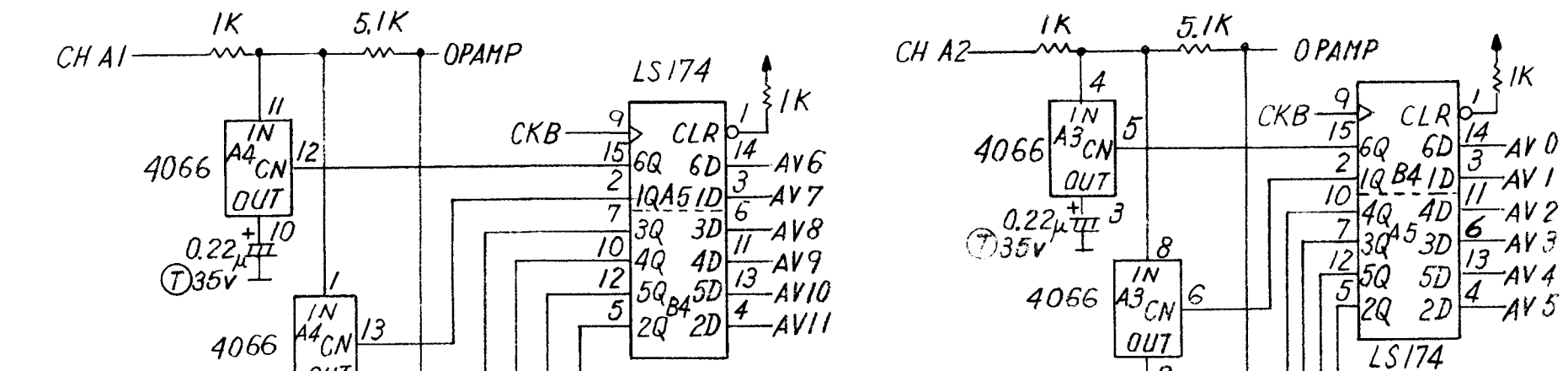
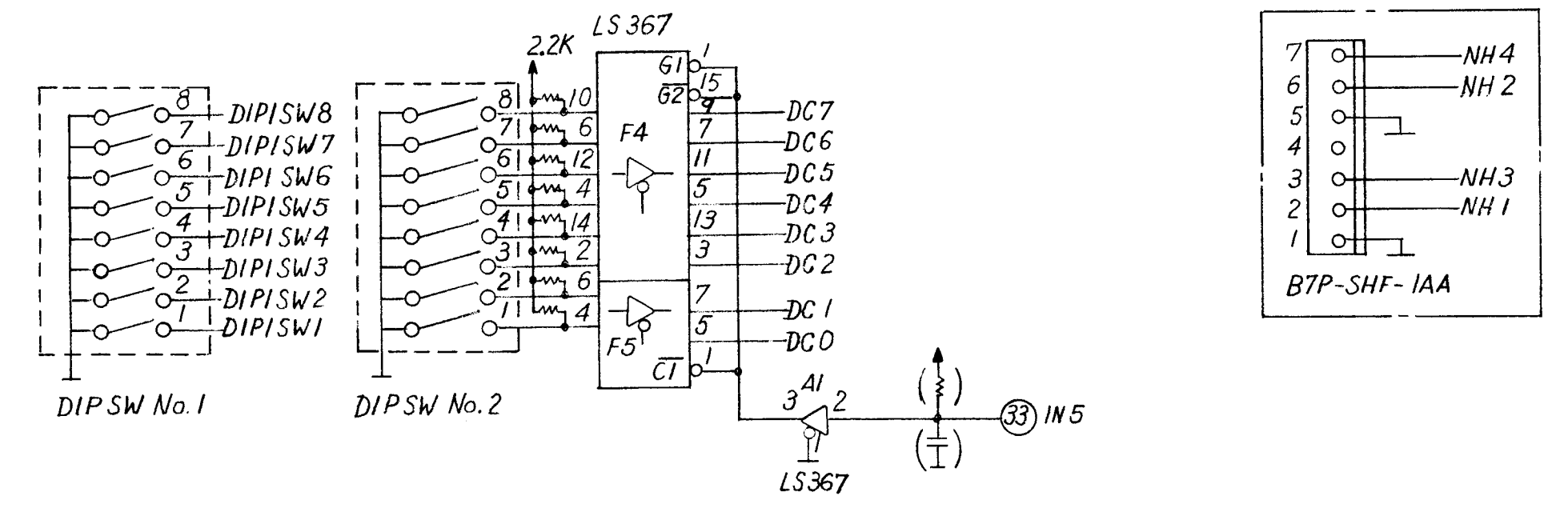
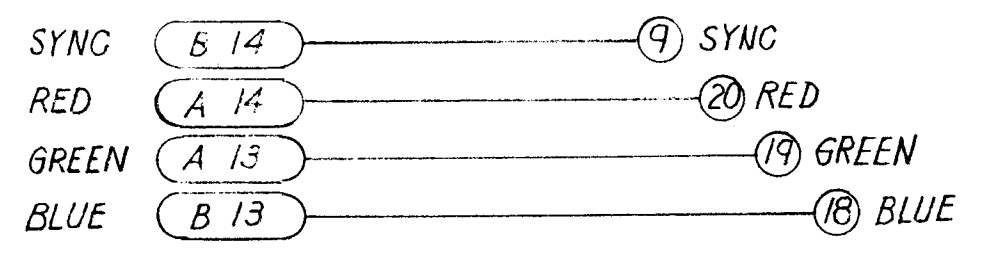
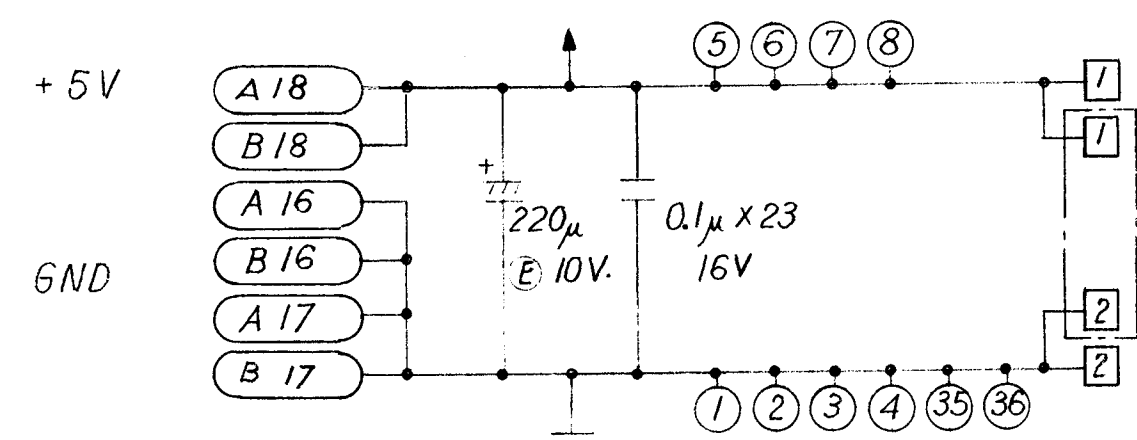
J2 TO
GAME CABINET
CABLE ASSEMBLY

NOTE:
A= SOLDER SIDE.
B= COMPONENT SIDE.
J1 & J2 PIN FUNCTIONS
ARE IDENTICAL.
IF CSF BOARD IS NOT USED,
J1 PIN DESIGNATIONS WILL BE
FOR J1 OF GAME BOARDS.

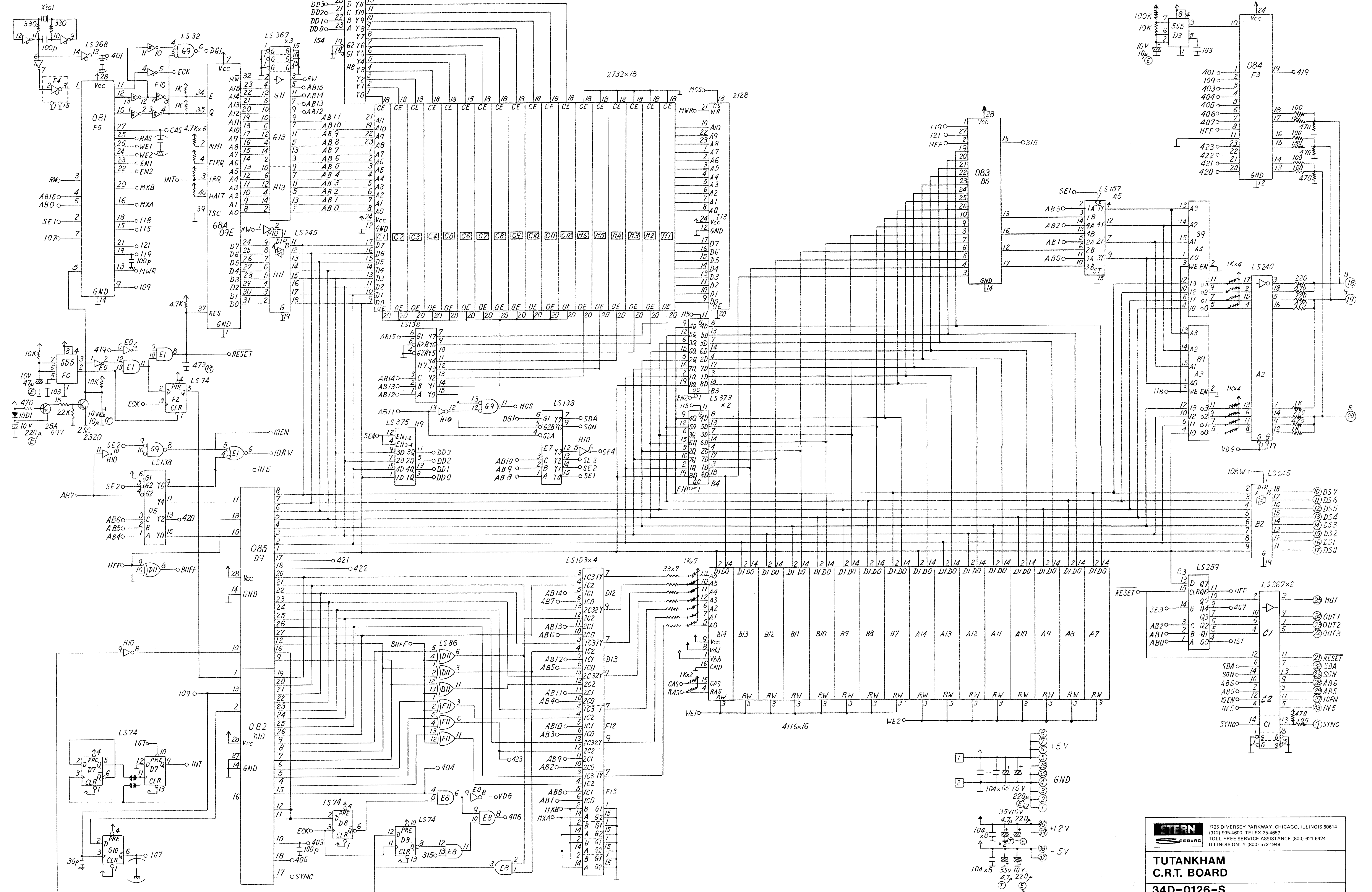
STERN 1725 DIVERSEY PARKWAY, CHICAGO, ILLINOIS 60614
(312) 935-4600, TELEX 25-4657
SEBURG TOLL FREE SERVICE ASSISTANCE (800) 621-6424
ILLINOIS ONLY (800) 572-1948

**TUTANKHAM
WIRING DIAGRAM
COMPONENT DRAWER
34C-2291-S**

34C-2291-S



- NOTES
- ↑ ; 5V Vcc
 - ↓ ; 0V GND
 - (B 2) ; 36 PIN CONNECTOR B is PARTS SIDE
 - (11) ; 40 PIN CONNECTOR
 - (17) ; 2 PIN CONNECTOR.
 - (T) ; TANTALUM ELECTROLYTIC CONDENSER
 - (M) ; MYLAR CAPACITOR
 - (E) ; ELECTROLYTIC CONDENSER
 - NO MARK ; CERAMIC CONDENSOR
 - () ; NO LAYOUT PARTS



STERN 1725 DIVERSEY PARKWAY, CHICAGO, ILLINOIS 60614
(312) 936-4600, TELEX 26-4657
TOLL FREE SERVICE ASSISTANCE (800) 621-6424
ILLINOIS ONLY (800) 572-1948

TUTANKHAM
C.R.T. BOARD

34D-0126-S

