



## Setup and Operation Service Manual

Revision TWD-1.0-1.11-1



The Walking Dead © 2016 AMC Film Holdings LLC. All Rights Reserved.  
The Walking Dead® Game Software Copyright 2016 Play Mechanix™ Inc.

This software is based in part on the work of the Independent JPEG Group.

This product includes software developed by the OpenSSL Project for use in the OpenSSL Toolkit. (<http://www.openssl.org/>)

This product includes cryptographic software written by Eric Young (eay@cryptsoft.com)

# Table of Contents

---

Safety .....	3
Product Specifications.....	5
Setup .....	6
Game Software Setup .....	22
Maintenance .....	23
Troubleshooting.....	25
Parts .....	27
Electrical Wiring .....	46
Contact Information.....	49

## Safety

---

### OPERATION

Before operating game, read this manual. Failure to properly install and operate this game could result in malfunction or accident. Operate the game in accordance with the manual.

### TRANSPORTING

Cabinet is very heavy and contains fragile components. Use appropriate care when moving or transporting cabinet. Avoid rough handling.

### HANDLING COMPONENTS

Many components are extremely sensitive to handling, environmental and Electrostatic Discharge (ESD) events—especially the computer. Do not handle it roughly. Before servicing, call your distributor and inquire about the PC warranty. Use proper ESD procedures when servicing. Protect components from harmful environmental conditions, such as extreme temperatures, excessive moisture or other damaging effects.

### DISCONNECT POWER

Always turn off power and unplug the unit before servicing or making adjustments, unless otherwise instructed. Installing or repairing components while power is on can damage the components and void the warranty.

### GROUNDING

Avoid electrical shock. Do not plug in AC power until you have inspected and properly grounded the unit. Only plug into a grounded, three-wire outlet. Do not use a “cheater” plug or cut off the ground pin on the line cord.

### ELECTRICAL SHOCKS

There is no isolation transformer in the cabinet. Disconnect AC power before servicing. However, be aware that lethal voltages can remain in the electronic components even when AC power is disconnected. Use extreme caution when servicing. Verify that there is a working ground connection. If the unit sustains water damage, cease using it immediately and unplug AC power.

### MONITOR

Extremely high voltages exist in the monitor at all times. These high voltages exist even when the monitor is off and the AC line cord is disconnected. These voltages are extremely lethal and will cause death. The monitor contains no user serviceable parts. Do not attempt to service the monitor.

### POWER SELECTOR

Before installing game, ensure the voltage on the PC is set properly. There is a 115/230 VAC selector switch that must be set for the correct voltage for your site. Verify the fluorescent lamp rating. The rating must match the line voltage at the installation site.

### CONNECTORS

Ensure all connectors mate properly. If connectors do not slip in easily, do not force them. Connectors are often keyed and only connect one way. Check for correct orientation.

**COMPUTER**

The computer contains sensitive components, including a hard drive. Do not handle it roughly. Call your distributor before servicing its internal components. Ask about warranty information as it relates to the PC.

Do not turn the PC power switch on or off. It should remain permanently in the ON position.

Cycle AC power on or off with the cabinet power switch.

A dongle has been inserted into one of the USB ports. This is required for game play.

Do not remove the dongle except for troubleshooting purposes.

**POWER CORD**

If the power cord is damaged or lost, replace it with an identical cord as supplied by the manufacturer or an authorized service agent.

**WATER JETS**

Do not install or operate game within operating perimeter of a water jet. Do not clean equipment using water jet.

**HAZARD TO EPILEPTICS**

A small portion of the population has an epileptic condition that may cause seizures. Affected persons experience seizure while watching some television pictures or playing certain video games. People who have not had seizures may still have an undetected epileptic condition. If anyone in your family has experienced epilepsy symptoms (seizures or loss of awareness), consult your physical before using video games. While children play video games, a parent should observe. Be alert to the following symptoms: dizziness, altered vision, eye or muscle twitching, involuntary movements, loss of awareness, disorientation or convulsions. If you or your child experiences these symptoms, discontinue use immediately and consult your physician.

**MANUAL**

Keep this manual available and ready for use. If the game fails to function properly, turn off the machine and unplug the AC line cord. Contact your local distributor. Your warrantee, when applicable, lasts 60 days from your purchase date. You may not reproduce this document or any of its contents without written authorization from Raw Thrills™, Inc. or PlayMechanix™ Inc.

**SPECIFICATIONS**

For reasons such as performance, this product's specifications may change without notice. Federal patent, copyright and other intellectual property laws protect the content, devices and design of the game and its equipment.

# Product Specifications

---

## Electrical Power

Domestic	120 VAC @ 60 Hz, 5 amps
International	240 VAC @ 50 Hz, 2.5 amps
Japan	100 VAC @ 50 Hz, 5 amps

## ELECTICAL SAFETY NOTICE

REPLACE FUSE WITH SPECIFIED FUSE RATING ONLY.  
DO NOT REPLACE FUSE WITH HIGHER THAN SPECIFIED RATING.

## RIO PCB Fuse Guide

- +5 VDC - 3 amp Slow Blow (RIO MCU, START BUTTON)
- +12 VDC - 5 amp Slow Blow (COIN DOOR, COOLING FANS, DASH LED)
- \*+12 VDC - AUDIO POWER USES A THERMAL FUSE, RIO F3

## Cabinet Fuse Guide

(NOTE: FUSES ARE MOUNTED TO THE LEFT OF THE RIO PCB. F1 IS LOCATED CLOSEST RIO PCB)

- F1 - P2 DASH LED, FANS , 5 amp Slow Blow
- F2 - P1 DASH LED, MARQUEE, 5 amp Slow Blow
- F3 - P2 BOW LED, MARQUEE, 5 amp Slow Blow
- F4 - P1 BOW LED, MARQUEE, 5 amp Slow Blow
- F5 - MARQUEE, MARQUEE, 5 amp Slow Blow
- F6 - BENCH RGB LED T-MOLD, REAR CAB LIGHTING, 5 amp Slow Blow

## Temperature

32° to 100° Fahrenheit (0° to 38° Celsius)

## Humidity

Must not exceed 95% relative humidity

## Cabinet Dimensions

Component	Height	Width	Depth
Assembled Cabinet	100" (254cm)	53.5" (136cm)	85" (216cm)
Seat Assembly	80" (203cm)	53.5" (136cm)	33" (84cm)
Monitor Assembly	76" (193cm)	53.5" (136cm)	34" (86cm)

## Setup

---

### Unpack Carton

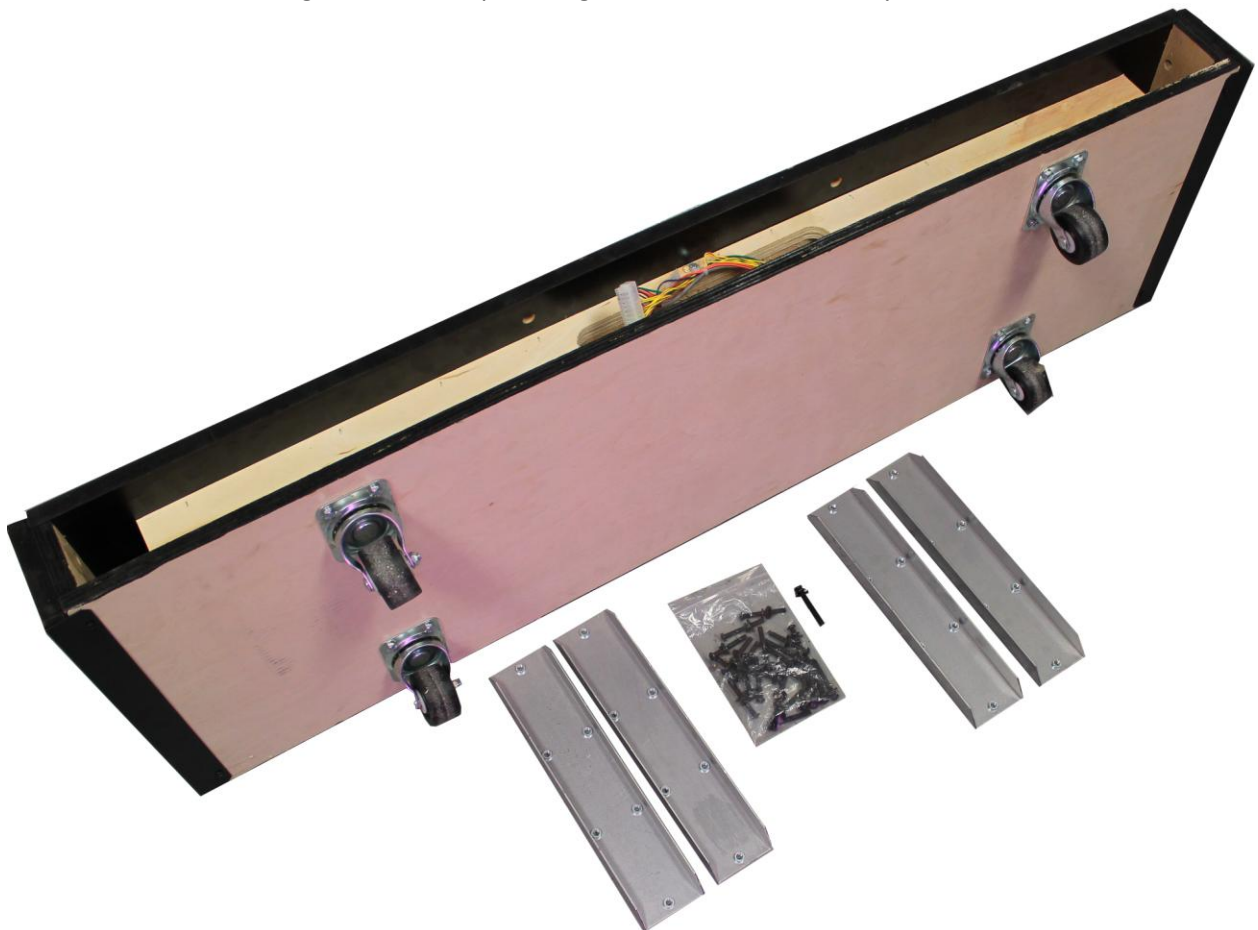
1. Place the shipping crate on a flat stable surface.
2. Cut the banding straps and remove the cardboard lid.
3. Lift off the large cardboard container surrounding the cabinet and any shipping cleats.
4. With at least two people and a dolly, remove the cabinet from the shipping pallet.
5. Remove the coin door key from the coin return chute.
6. Open the top coin door.
7. Locate the key for the bottom access panel and the cash box.

### Setup Cabinet Components

1. Using a wheeled cart and at least one assistant, transport the cabinet to a suitable playing area.
2. Ensure the main cabinet is level and stable. *With at least one assistant, adjust the leg levelers.*
3. Check the AC line cord for visible signs of damage.  
*Pay particular attention to the plug and line cord insulation.*
4. Check for shipping damage to the following:  
Cabinet Marquee, Cabinet back door, Cabinet coin door, Cabinet decals, Monitor

### Install Floor Assembly

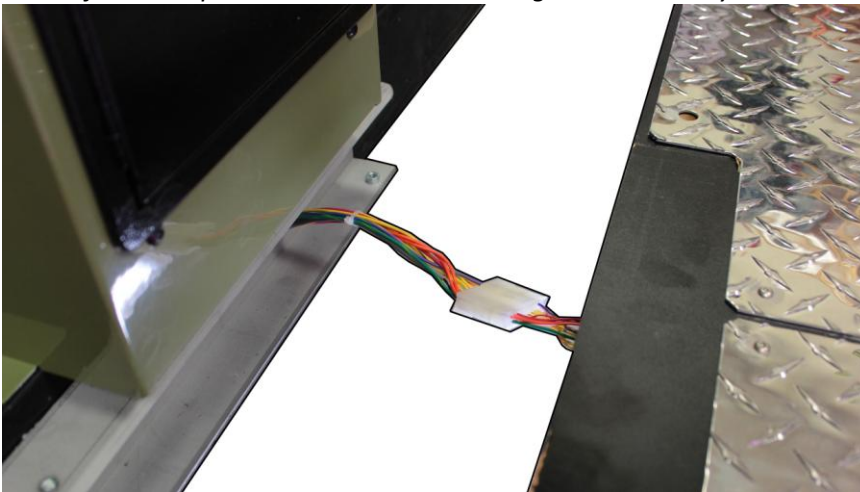
1. Locate the mounting brackets and parts bag inside the floor assembly.



2. Attach brackets to Monitor Assembly with three ¼ -20 x 2" T-27 Torx screws.  
*(do not fully tighten screws)*



3. Connect cables from Monitor Assembly to Floor Assembly.  
*Be careful not to pinch the cables when sliding Floor Assembly into Monitor Assembly .*

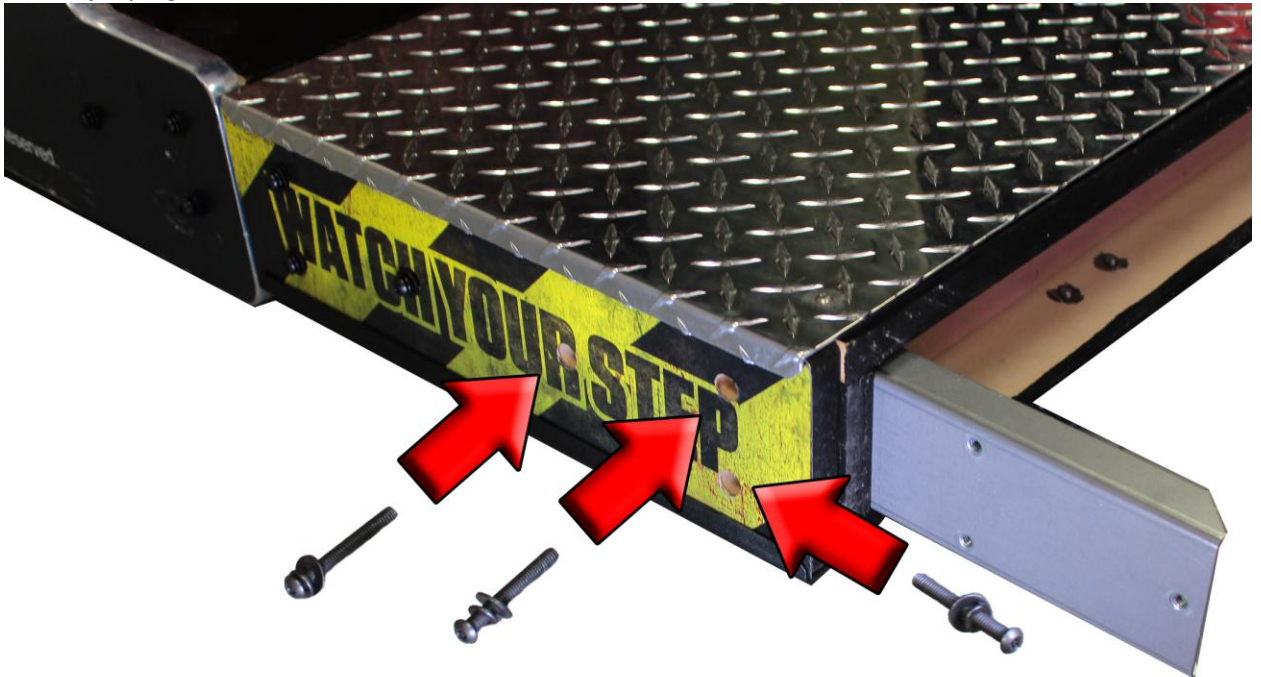


4. Attach Floor Assembly to Monitor Assembly with three ¼ -20 x 2" T-27 Torx screws.  
*(do not fully tighten screws)*

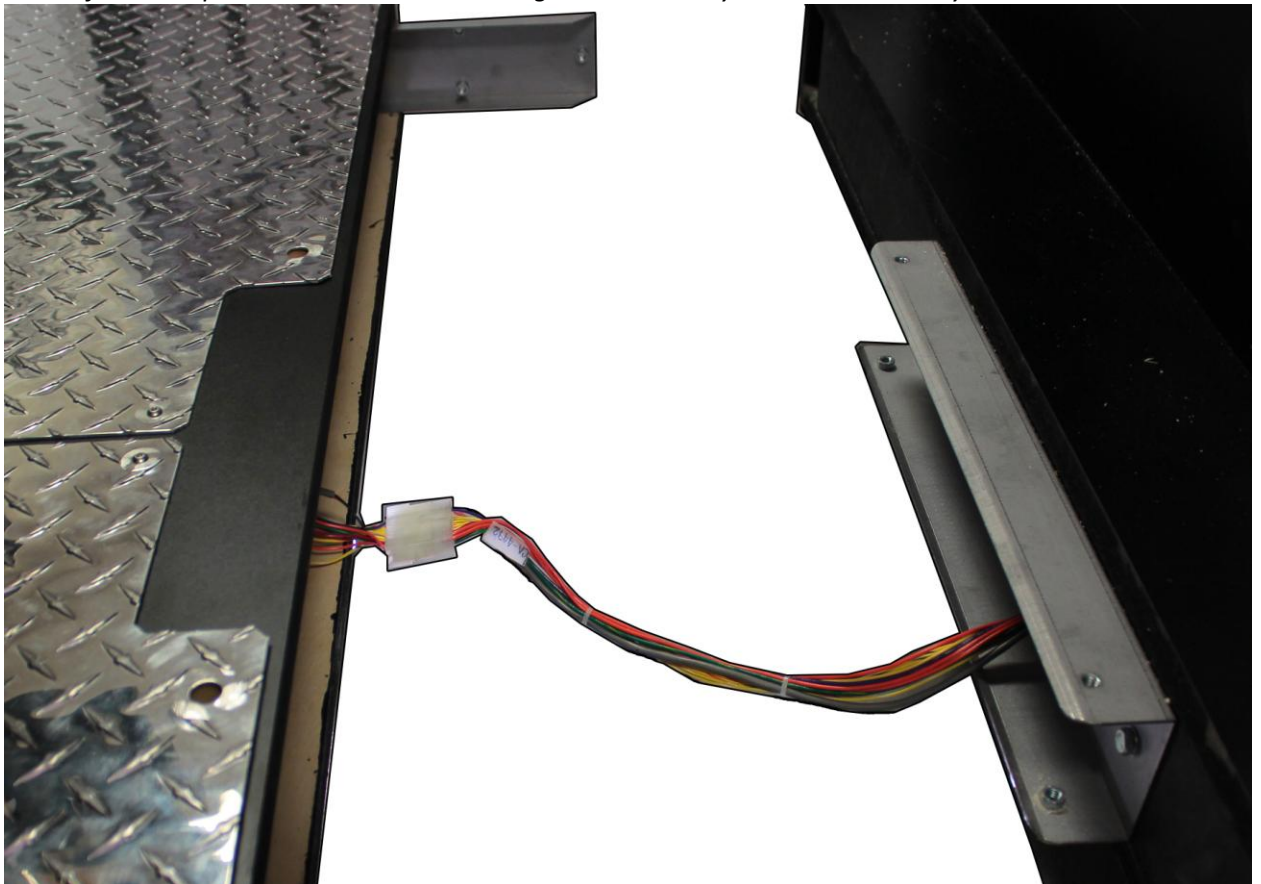




5. Attach brackets to Floor Assembly with three  $\frac{1}{4}$  -20 x 2" T-27 Torx screws.  
*(do not fully tighten screws)*



6. Connect cables from Seat Assembly to Floor Assembly  
*Be careful not to pinch the cables when sliding Floor Assembly into Seat Assembly .*





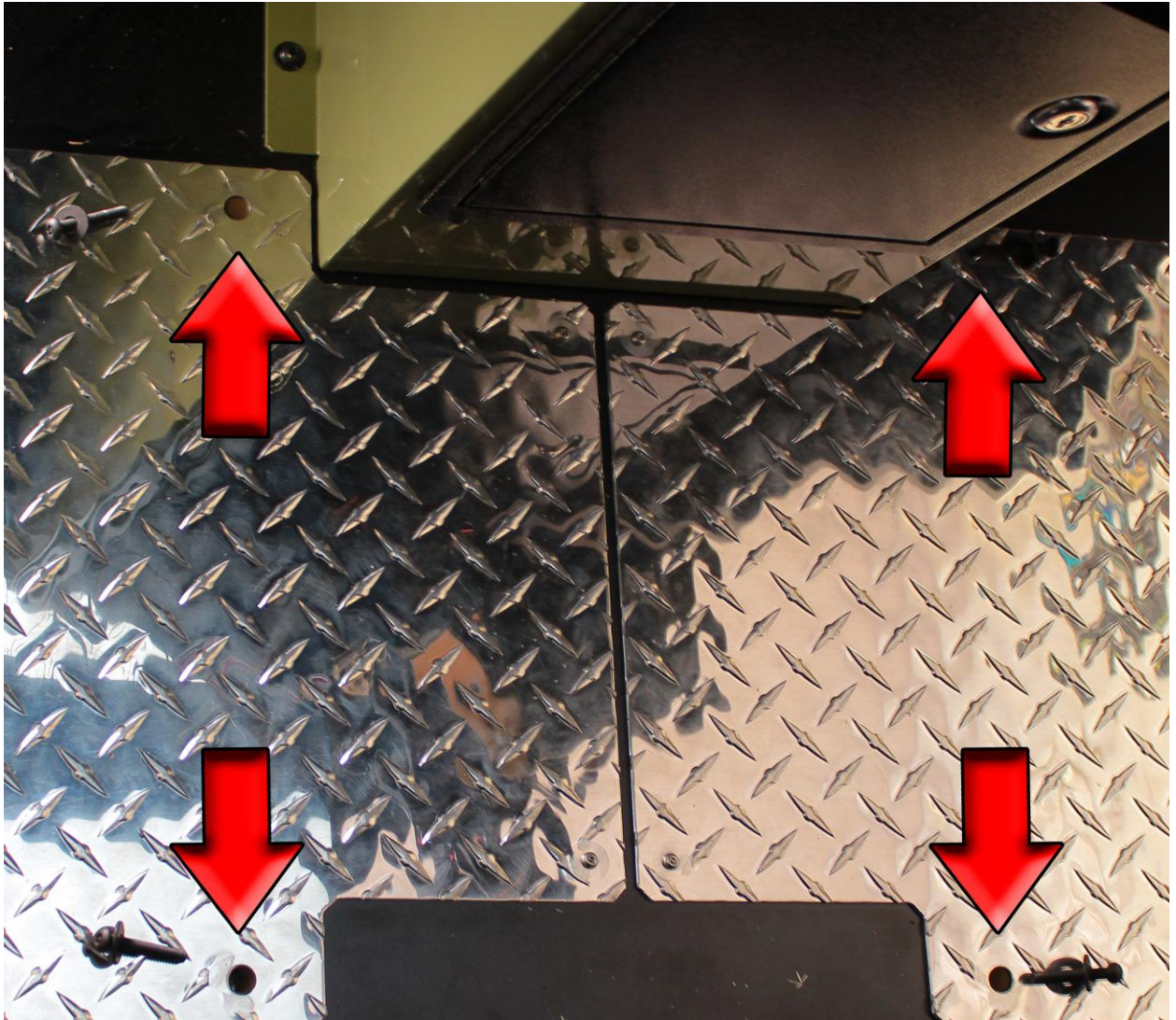
7. Attach Floor Assembly to Seat Assembly with three  $\frac{1}{4}$  -20 x 2" T-27 Torx screws.  
(do not fully tighten screws)



8. Fully tighten all  $\frac{1}{4}$  -20 x 2" T-27 Torx screws; there are 12 screws per side.



9. Secure floor assembly with four ¼ -20 x 2" T-27 Torx screws with washers.





## Install Cabinet Roof Assembly

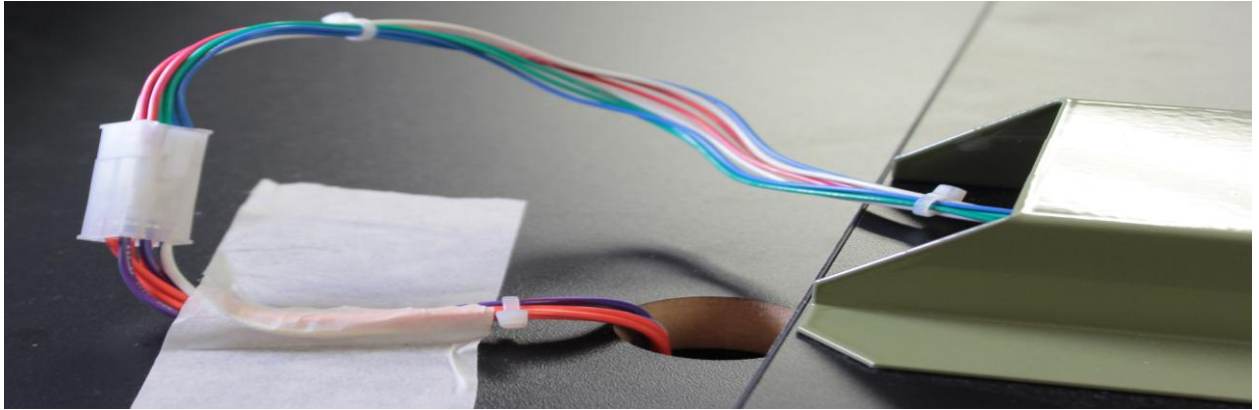
1. Locate Cabinet Roof Assembly and six roof assembly bolts with washers.



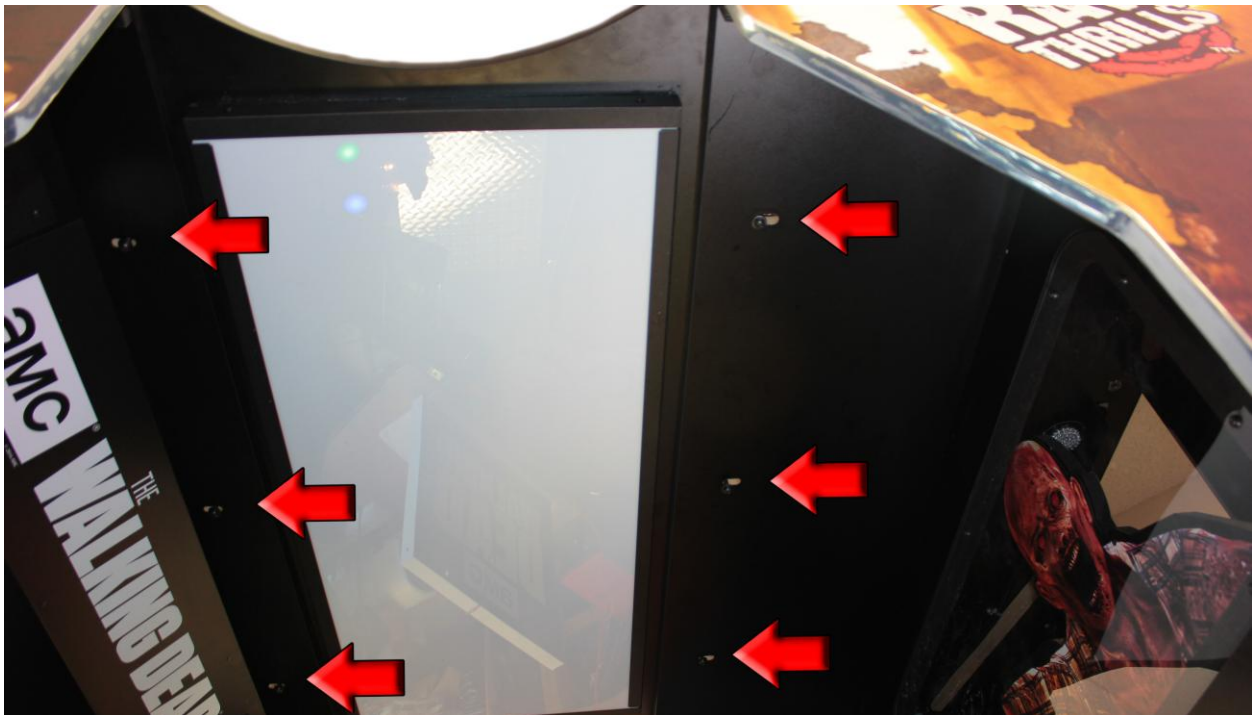
2. Lift and position Cabinet Roof Assembly on top of Main Cabinet Assembly  
*Be sure cable connection is directed toward the Monitor Assembly*



3. Connect cable from Monitor Assembly to Roof Assembly

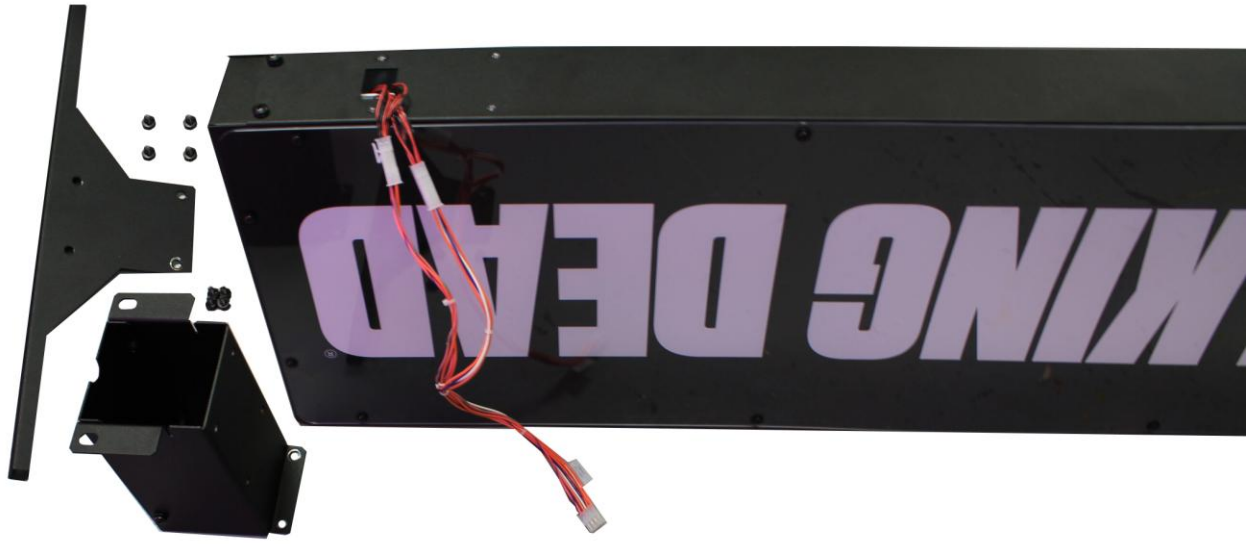


4. Secure Roof Assembly to Seat Assembly and Monitor Assembly with six ¼ -20 x 2" T-27 security Torx screws and washers.

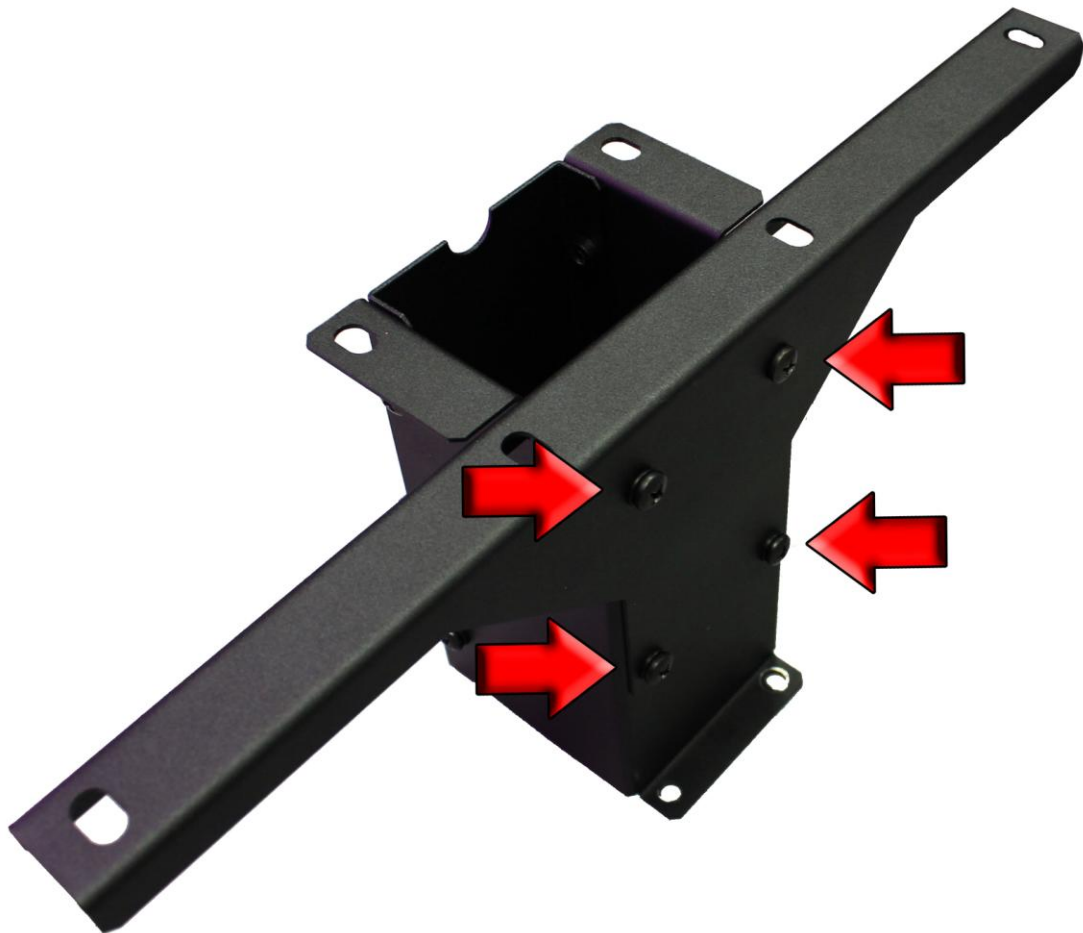


## Assemble Marquee Topper

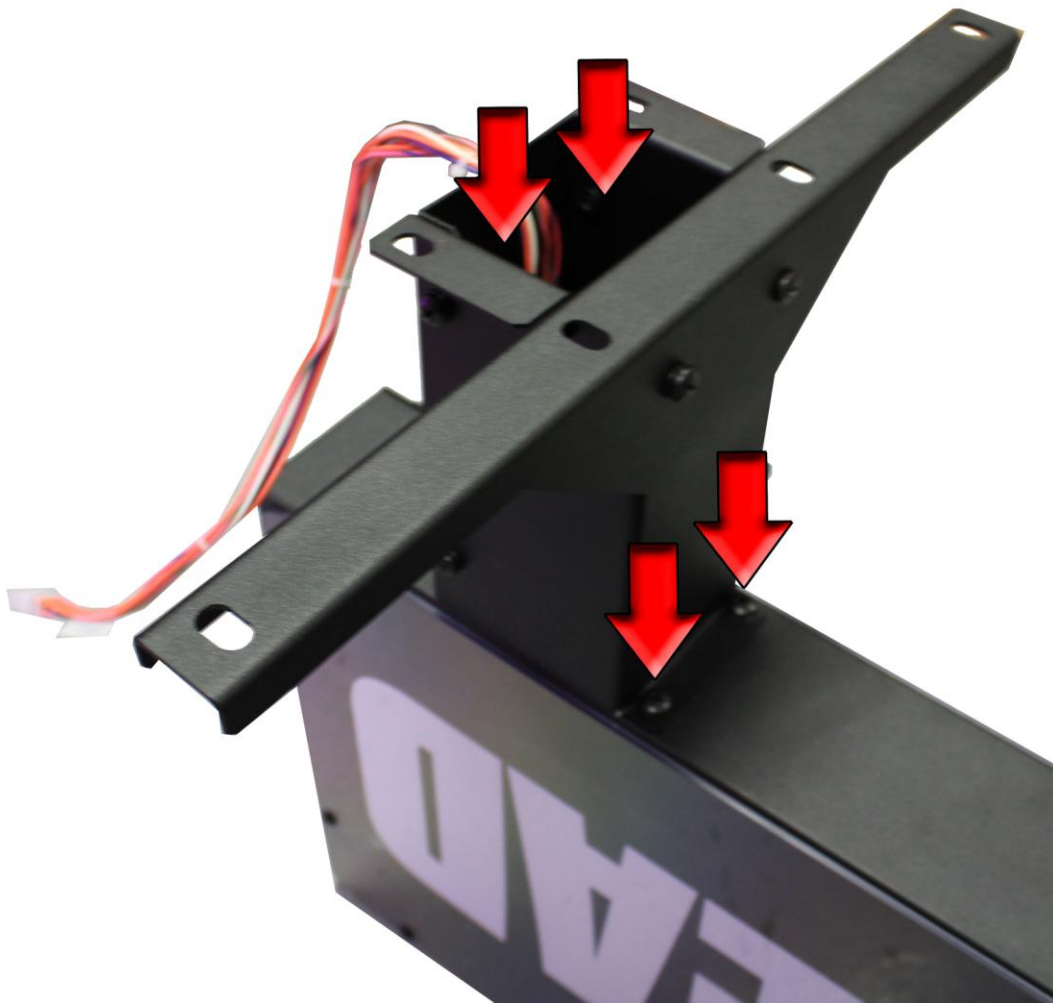
1. Locate marquee and monitor assembly mounting bracket parts.



2. Assemble monitor assembly mounting bracket, using four ¼-20 x .5" Phillips head screws.



- Secure monitor assembly mounting bracket to marquee, using four ¼-20 x .5" Phillips head screws. Two of these screws are located on the interior of the mounting bracket. Be careful not to pinch the power cable.



- Secure seat assembly mounting bracket to marquee using 4 ¼-20 x .5" Phillips head screws.



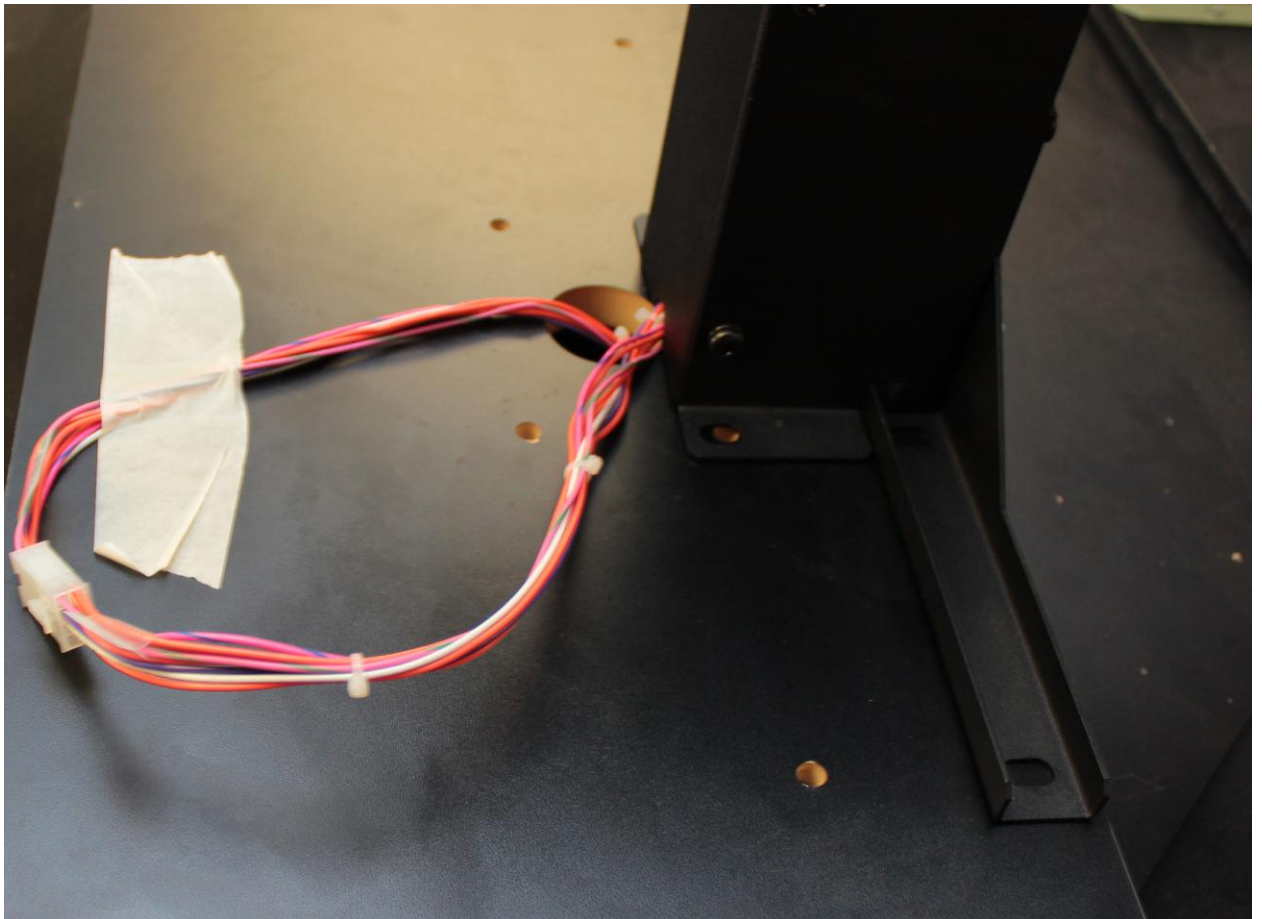


## Install Marquee Topper

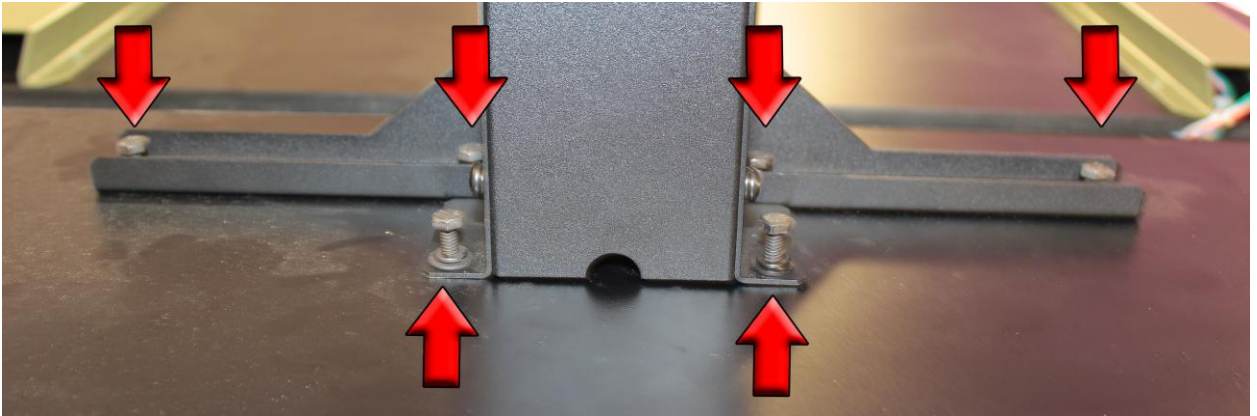
1. Locate Main Marquee Assembly, Rear Marquee Assembly, and associated parts bag.



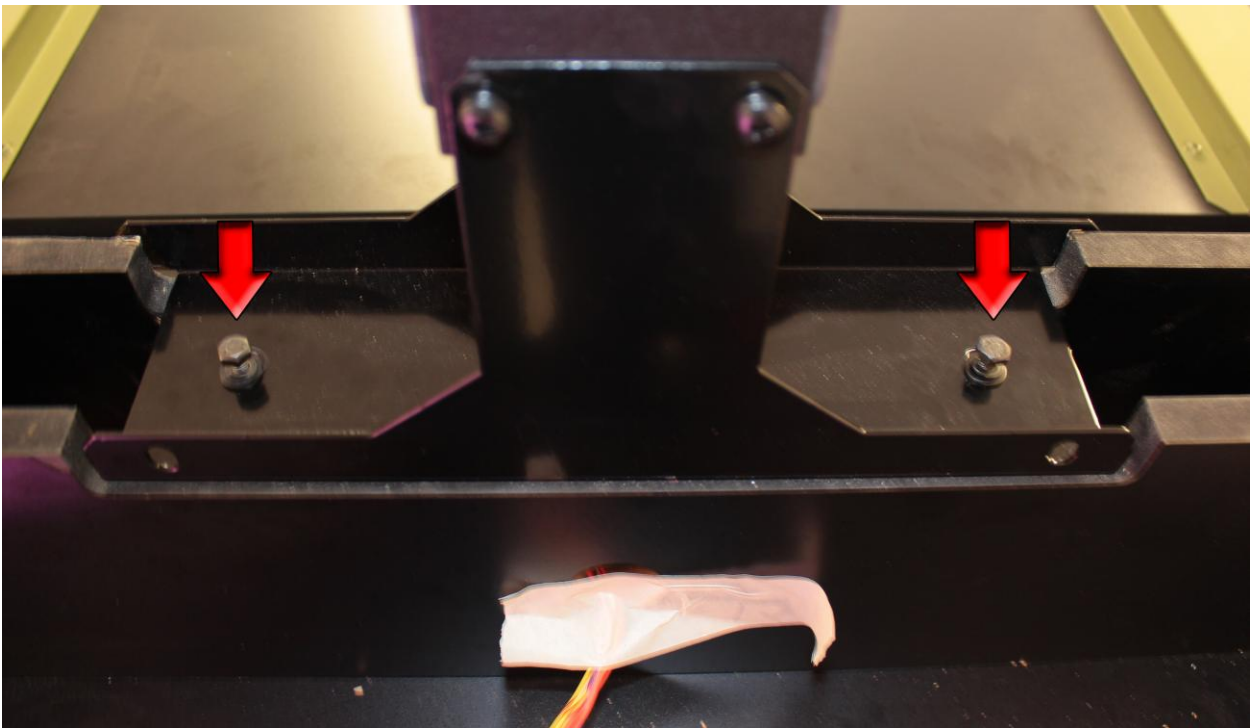
2. With an assistant, position the Main Marquee Assembly on top of the cabinet.
3. Connect and route the power cable from the Monitor Assembly to the Main Marquee Assembly.  
*Be careful not to pinch the cable between the topper and cabinet.*



4. Attach Main Marquee Assembly to Monitor Assembly using six  $\frac{1}{4}$ -20 x 1.5" hexhead screws.  
(do not fully tighten screws)



5. Attach Main Marquee Assembly to Seat Assembly using two  $\frac{1}{4}$ -20 x 1.5" hexhead screws.  
(do not fully tighten screws)



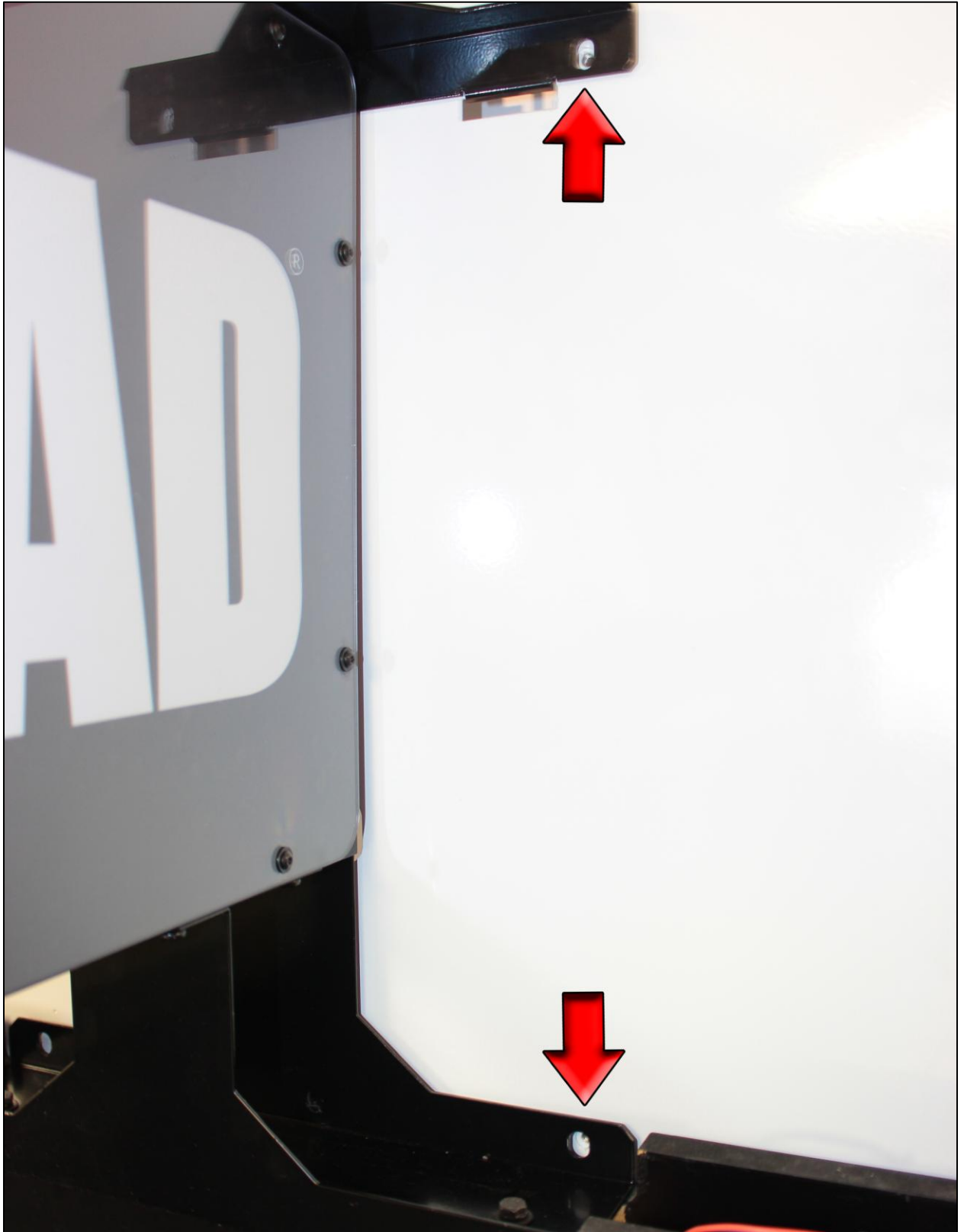
6. Connect and route the power cable from the Seat Assembly to the Rear Marquee Assembly.  
*Be careful not to pinch the cable between the topper and cabinet.*



7. Hook Rear Marquee Assembly to Main Marquee Assembly



8. Secure Rear Marquee Assembly to Main Marquee Assembly using four screws.

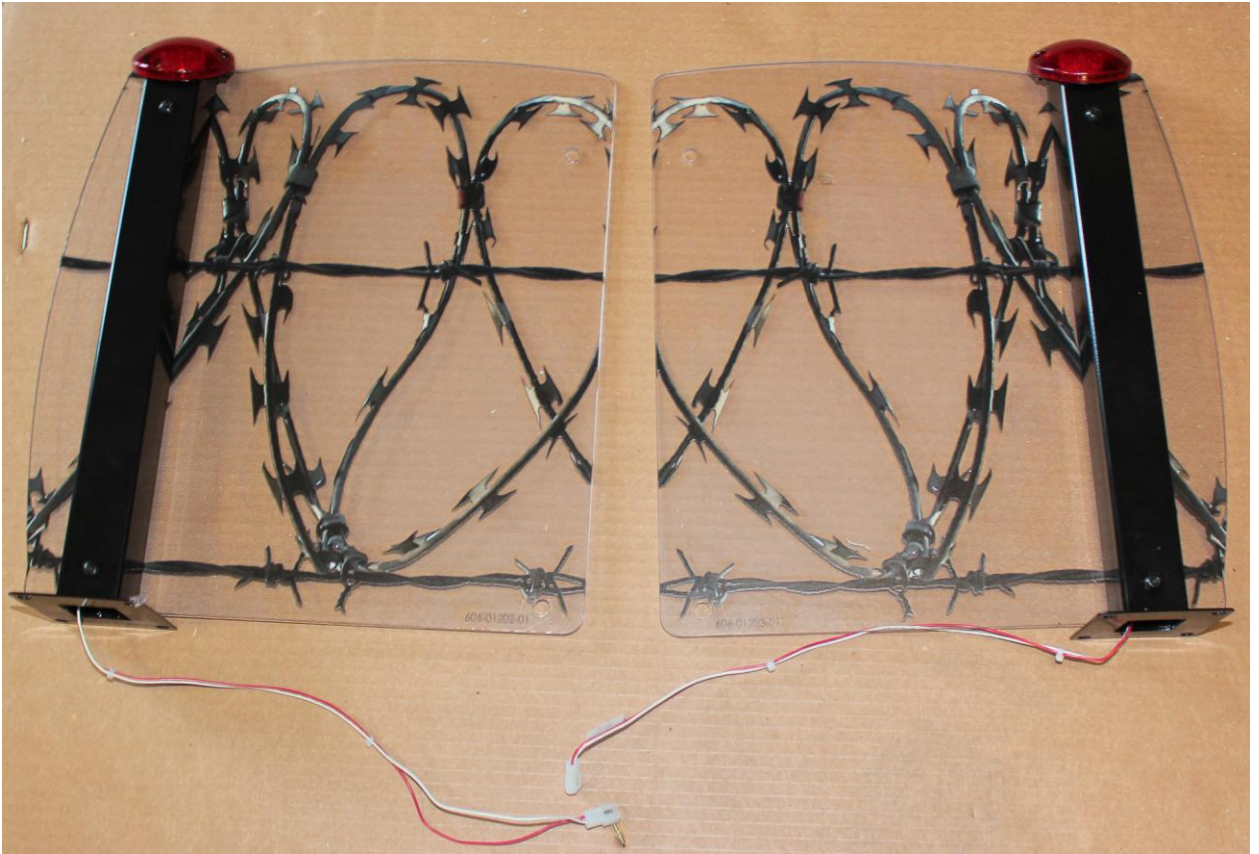


9. Fully tighten all Marquee Topper screws.

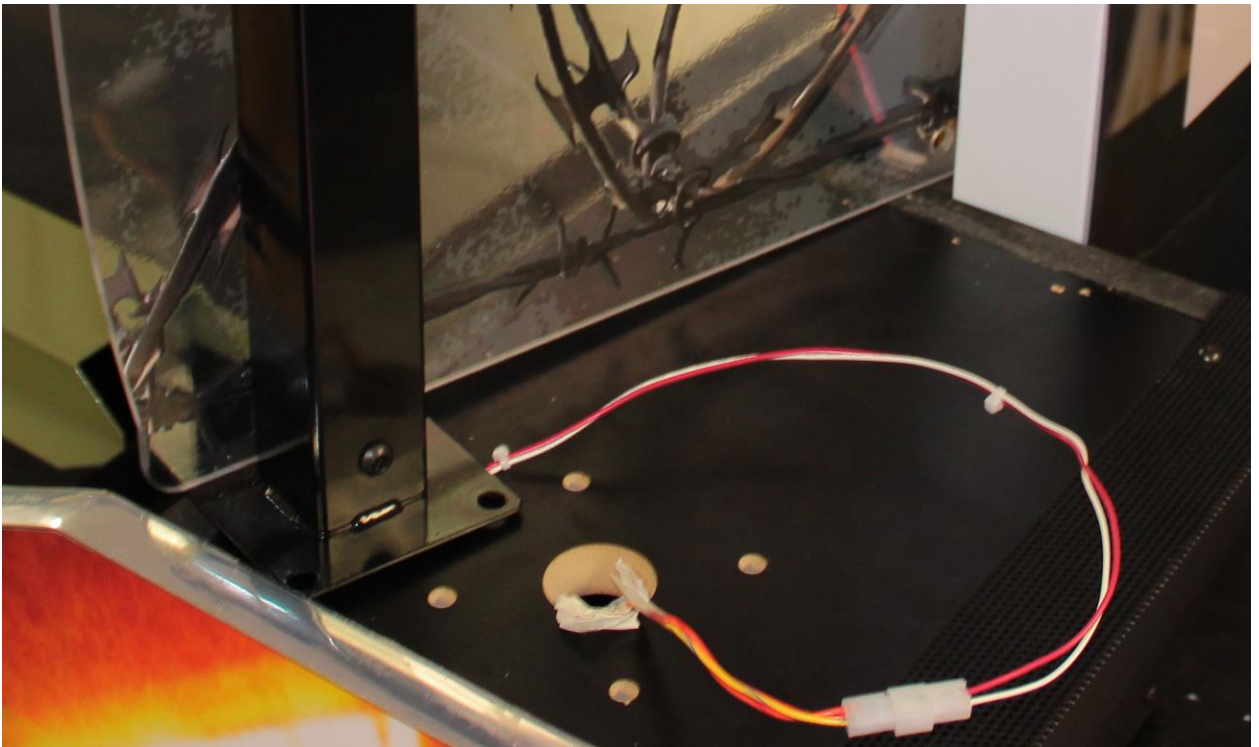


## Install Razor Wire

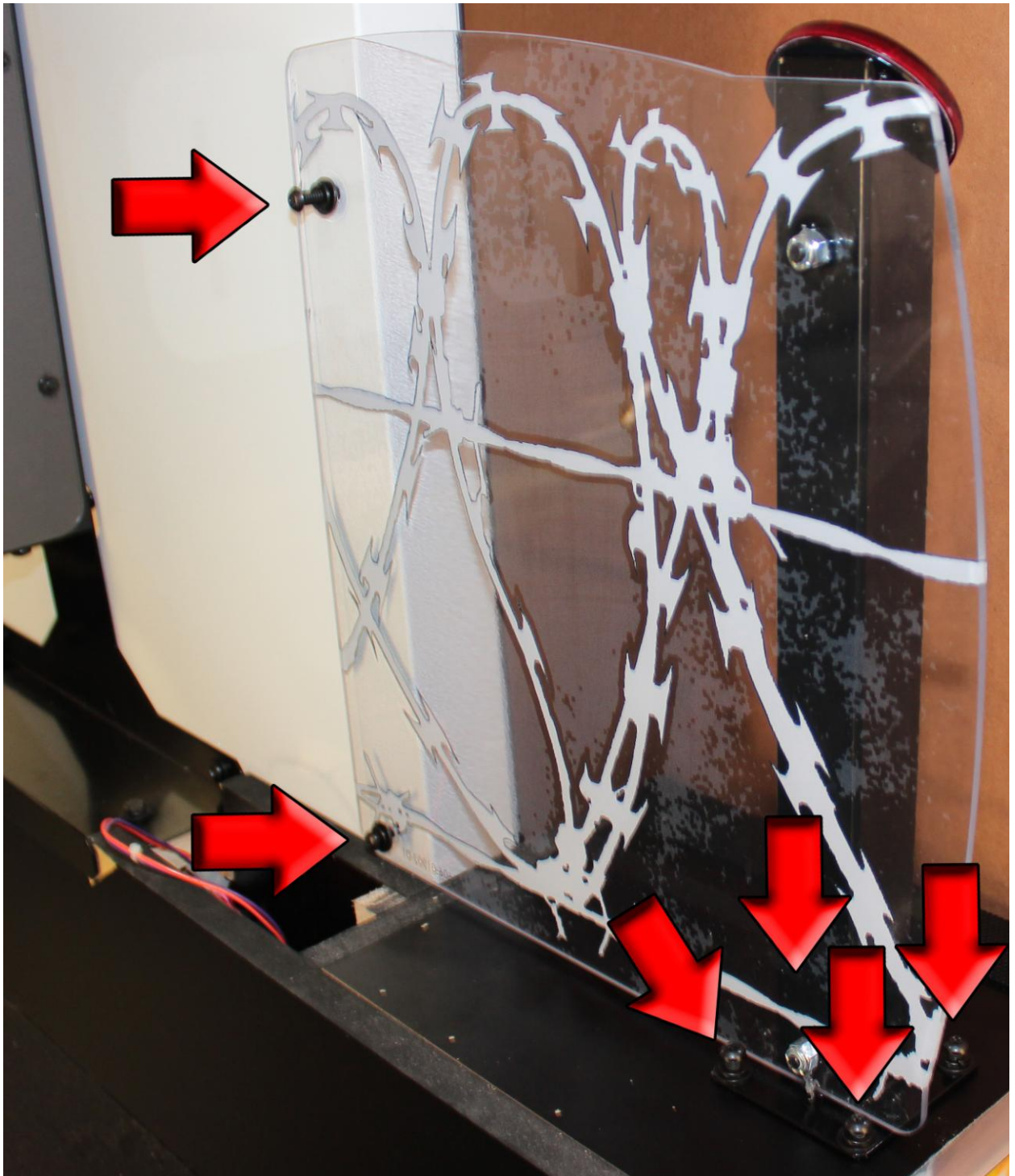
1. Locate the left and right Rear Razor Wire assemblies.



2. Connect cables from Rear Razor assemblies to the Seat Assembly.  
*Be careful not to pinch the cables between the assembly and the cabinet.*



3. Secure each Razor Wire Assembly to Seat Assembly and Rear Marquee Assembly with six screws and washers. *Be sure to fully tighten all screws.*





4. Secure left and right Front Razor Wire assemblies to the Monitor Assembly with five screws and washers. *Be sure to fully tighten all screws.*



### Verify Cabinet Functionality

1. Verify the voltage in the nearest AC outlet.
2. Verify the AC outlet ground connection is present and working.
3. Open the back door of the cabinet.
4. Near the AC power transformer, verify the voltage selector switch is set for the correct AC voltage.
5. Plug the line cord into the AC outlet.
6. Replace the back door.
7. Turn the power switch to ON.
8. Verify that the cooling fans on the cabinet are working.  
*If not, turn off AC power and disconnect line cord. Contact Betson service*
9. Check that no component is excessively hot or emitting foul odors.  
*If so, turn off AC power and disconnect line cord. Contact Betson service.*
10. Once software loads, you will be asked to setup the cabinet software.

## Game Software Setup

---

### Crossbow Calibration

When first turned on, cabinet will prompt for calibration. Follow the onscreen prompts to calibrate the crossbow sights and reload mechanism.

### Verify Input and Output Functionality

1. Enter the Diagnostic menu
2. Enter the INPUT TESTS menu and verify all switches and inputs function.
3. Enter the VIDEO TESTS menu and verify that video is acceptable.
4. Enter the COIN METER TEST and verify the operation of the coin meter.
5. Enter the LAMP TESTS menu and verify that the lamps of the buttons work correctly.
6. Enter the SOUND TEST menu and verify the audio works and is not distorted.
7. Enter the WATCHDOG TEST menu, which re-boots the game.
8. Upon a successful re-boot, you are ready to make adjustments to pricing, volume and other functions found in the Diagnostic menu.



# Maintenance

---

## Hard Drive Recovery

Symptoms requiring hard drive recovery include:

- File Test reports bad or missing files
- Game fails to finish loading during startup
- After resetting the AC power, an error is reported
- You are prompted to insert a boot DVD
- Erratic Game or Attract Mode
- A screen indicating Data Files Corrupted

### COMPUTER

The computer contains sensitive components, including a hard drive. Do not handle roughly. Call your distributor before servicing its internal components. Ask about warranty information as it relates to the PC.

Do **not** use the PC on/off switch. Turn AC power on or off with the cabinet power switch.

### DVD Restore

1. With game and PC on, insert recovery DVD, marked as Disc 1, into DVD-ROM drive tray.
2. Close tray and Turn cabinet AC power switch to OFF.
3. Wait 30 seconds, then turn AC power switch to ON. Recovery begins automatically.  
*If recovery fails to begin, check that disc is seated properly in DVD-ROM drive tray.*
4. Initial software loading may take several minutes. Check progress periodically.  
*Do not interrupt power or reset the game during recovery.*
5. At some point, the game will eject *Disc 1* and prompt you to insert *Disc 2*.
6. Swap discs and close the tray. *Do not interrupt power or reset the game.*
7. When software has finished loading, a message indicates that restore is complete.
8. Remove DVD restore disc and turn cabinet power switch to OFF.
9. After 30 seconds, turn cabinet power switch to ON.
10. After game restarts, the game will proceed through the Setup Wizard with factory defaults.

### Flash Drive Restore

1. Turn AC power switch to OFF.
2. Connect USB flash drive to an open USB port on the PC.
3. Turn AC power switch to ON.
4. Initial software loading may take several minutes. Check progress periodically.  
*Do not interrupt power or reset the game during recovery.*
5. When software has finished loading, a message indicates that restore is complete.
6. Turn cabinet power switch to OFF and disconnect USB flash drive.
7. After 30 seconds, turn cabinet power switch ON.
8. After game restarts, the game will proceed through the Setup wizard with factory defaults.

## Regular Crossbow Maintenance Procedure

In order to maximize income potential, keep the crossbows in optimal working order by performing the following procedure every time you empty the cash box.

1. **Verify trigger functionality**  
Press the Test button on the service panel, select Tests, select Input Tests, and then select Switch Test (described earlier in this manual) to ensure the triggers are functioning properly.
2. **Verify reload functionality**  
Verify reload mechanism is not binding. Reload action should be a smooth motion.
3. **Calibrate, calibrate, calibrate**  
Return to the Main Menu screen and select Gun Calibration. Follow the instructions earlier in this manual or on screen to recalibrate both crossbows.

Recalibrate the crossbows any time the game is moved or the bows are repaired, replaced or swapped. Note: It is not advisable to replace or swap devices while power is on. Shut AC power off before connecting or disconnecting any components. If, for some reason, crossbows are changed while power is on, shut off AC power and reboot, after the crossbows are connected again. Failure to do so may result in incorrect functionality.

**Following these procedures is critical to maintaining crossbows and maximizing revenue. Perform regular maintenance to keep your game in top working order.**

# Troubleshooting

**Warning: Review safety chapter before making any adjustments to game.**

## General Troubleshooting

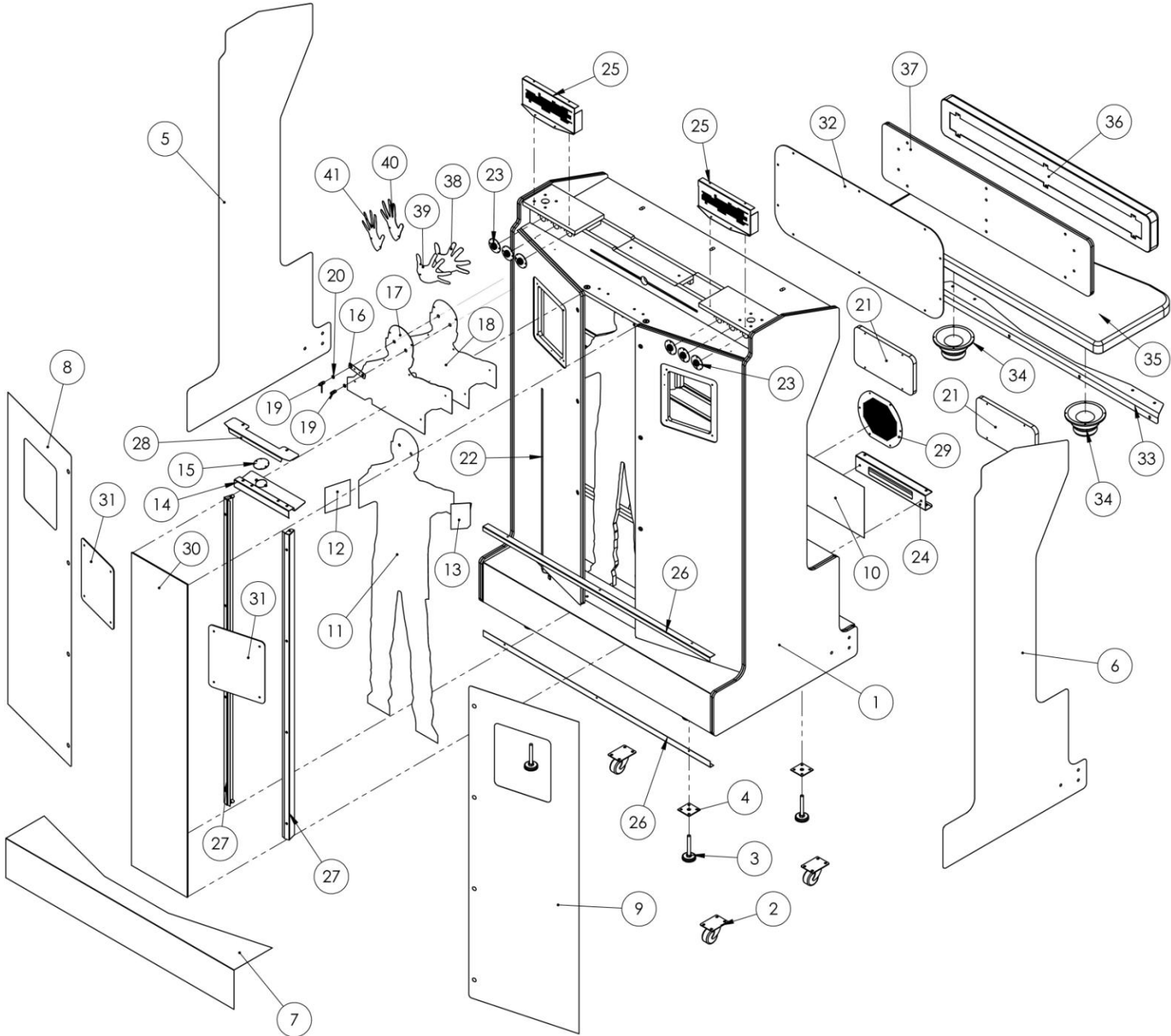
Problem	Possible Cause	Solution
Game will not power up	Game not plugged in.	Plug game into outlet.
	Game not turned on.	Turn on main power switch.
	Game fuse is blown.	Check and replace fuse.
	No power to receptacle.	Test outlet and plug game into powered outlet.
	PC not turned on.	Turn PC power switch on. Ensure IEC cable tightly plugged in. Trace cable back to source to ensure continuity.
	PC BIOS set incorrectly.	See BIOS Settings chapter.
NO VIDEO message	Video cables not plugged in properly	Reattach and/or tighten video cable to monitor. Reattach and/or tighten video cable to PC.
	Faulty video cable	Replace video cable
	PC not turned on.	Turn PC power switch on.
No sound	Bad Connection	Check connection to speakers.
Game does not load	Hard drive failure	Recover hard drive.  See procedure on pg 23.
Hard drive test reports "bad" or "missing" files.		
Game fails to finish loading.		
After resetting, game still reports an error.		
Game suggests inserting a boot DVD.		
Erratic game mode or attract mode.		
<p style="text-align: center;"> <b>WARNING!</b>            Data Files Corrupted.            (Game Operation May Become Unstable.)            Use "Test" Switch to Enter Test Mode            and Run "File Test."            Press Start To Continue.         </p>		
Game resets	Bad file.	Run File Test. Restore hard drive.

<b>Problem</b>	<b>Possible Cause</b>	<b>Solution</b>
Coin meter does not click during Test	No pulse to meter	Check all wiring from meter to I/O board
	Faulty meter	Replace coin meter
Exits Test Mode every 3 seconds	Test button stuck in ON position	Slide or toggle button off after Test Menu appears
<i>Dongle Not Present</i>	Dongle missing or disconnected	Find dongle usb connection and reseal in USB port
	Faulty USB port	Connect dongle to another USB port
<i>Connect I/O Board or I/O Board Missing</i>	USB cable disconnected	Check USB connection from PC to I/O board Try connecting to a different USB port
	Blown fuse	Verify 5V and 12V fuses are not blown
	No power to RIO board	Check for proper voltage (+5V, +12V) at RIO P2 connector
	Bad RIO Board	Replace RIO board with known functional board



# Parts

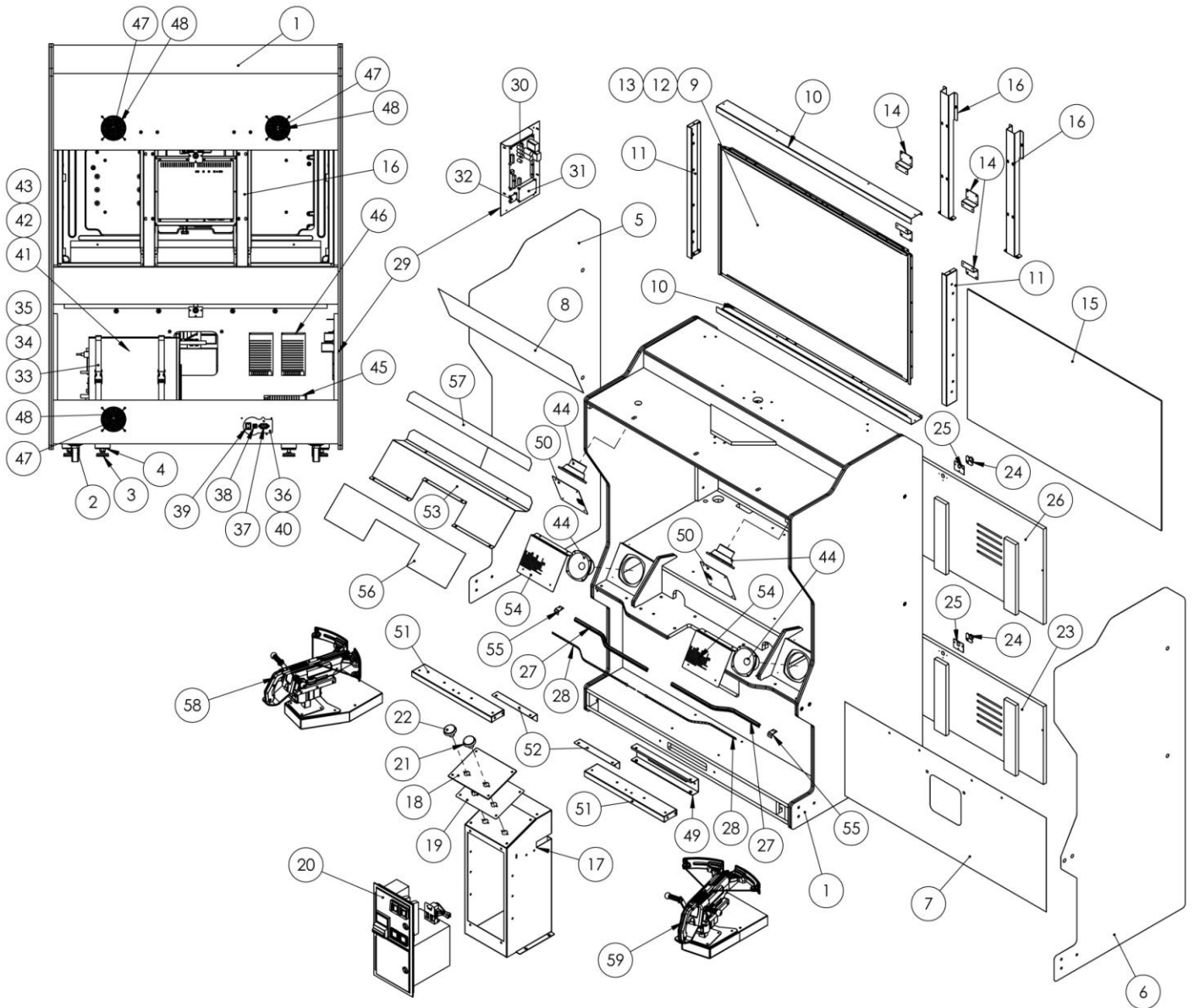
## Seat Cabinet Assembly



## Seat Cabinet Assembly Part Numbers

Item	Part No.	Description	QTY
1	601-00759-01	ASSY-WOOD-SEATCAB-WD	1
2	CASTER 2'5	2-1/2" CASTER	4
3	LEG LEVELER – ½"-13 X 4.00LG	LEG LEVELER – ½"-13 X 4.00LG	4
4	LEG LEVELER PLATE	2.50 X 2.50 X ½-13-CTR-LEVELER PLATE	4
5	606-01180-01	DECAL-LEFT-SEATCAB-SIDE-WD	1
6	606-01181-01	DECAL-RT-SEATCAB-SIDE-WD	1
7	606-01182-01	DECAL-LOWER-REAR-SEATCAB-WD	1
8	606-01183-01	DECAL-LEFT-DOOR-SEATCAB-WD	1
9	606-01184-01	DECAL-RT-DOOR-SEATCAB-WD	1
10	606-01185-01	DECAL-INSIDE-SEATCAB-WD	1
11	606-01186-01	DECAL-ZOMBIE-FRONT-WD	1
12	606-01190-01	DECAL-ZOMBIE-RT-ARM-WD	1
13	606-01189-01	DECAL-ZOMBIE-LEFT-ARM-WD	1
14	600-01932-01	BRACKET-PUCK-LIGHT-WD	1
15	500-00205-01	White LED Superpuck PCB-36LEDS	1
16	600-01904-01	PLATE-EYE-MOUNT-WD	1
17	603-00800-01	PLATE-ZOMBIE-BUST-WD	1
18	606-01187-01	DECAL-ZOMBIE-BACK-WD	1
19	10MM-YELLOW-LED	10MM-YELLOW-LED-KINGBRIGHT-WP813YD	4
20	.07THK-O-RING-.38-ID-.50-OD	.07THK-O-RING-.38-ID-.50-OD (MC#9452K21)	2
21	601-00771-01	WD-SEATCAB-ACCESS-DOOR	2
22	500-00184-90	90CM-RGB-LED-STRIP-54LEDS	2
23	500-00026-02-H20	RED LED PUCK LIGHT PCB	6
24	600-01458-01	JP-55-CTR-CONNECT-BRACKET	1
25	600-01854-01	GRILL-SPEAKER-SEATCAB-WD	2
26	600-01855-01	TRIM-LOWER-REAR-WD	2
27	600-01856-01	BRACKET-DOOR-WD	2
28	600-01857-01	RETAINER-DOOR-WD	1
29	600-01934-01	GRILL-PORT-WD	1
30	603-00794-01	PETG-DOOR-OPENING-WD	1
31	603-00795-01	WINDOW-DOOR-WD	2
32	603-00796-01	WINDOW-INSIDE-WD	1
33	600-01859-01	BRACKET-SEAT-CUSHION-WD	1
34	2-1-11-00-00-000	SPEAKER WOOFER-6.5" 4 OHM	2
35	600-01870-01	SEAT-BASE-PAD-ASSY-WD	1
36	600-01871-01	SEAT-BACKREST-PAD-PANEL-WD	1
37	601-00775-01	WD-BACKRES-PANEL	1
38	603-00809-01	PLATE-LEFT-HAND-WD	1
39	606-01269-01	DECAL-ZOMBIE-LEFT-HAND-WD	1
40	603-00808-01	PLATE-RIGHT-HAND-WD	1
41	606-01268-01	DECAL-ZOMBIE-RIGHT-HAND-WD	1

## Main Cab Assembly

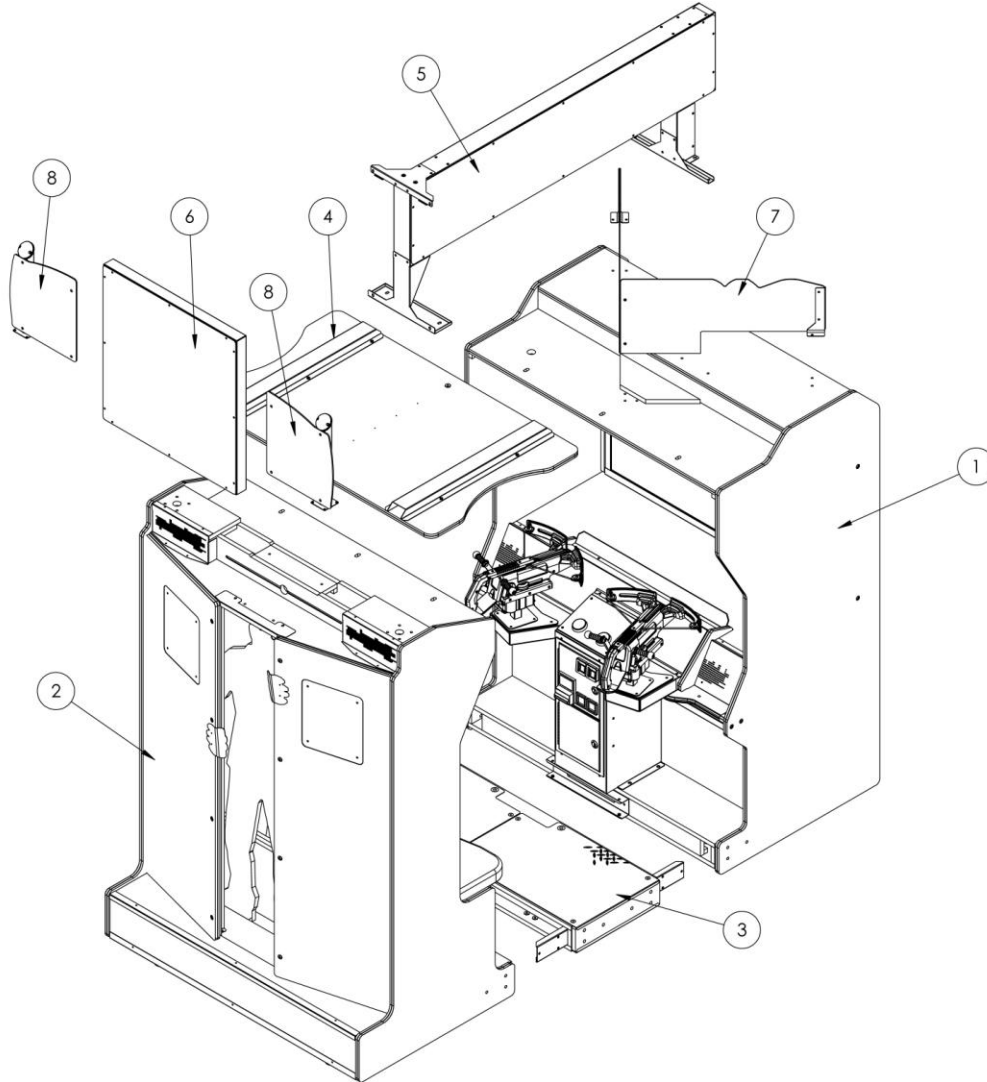


### Main Cab Assembly Part Numbers

Item	Part No.	Description	QTY
1	601-00758-01	ASSY-WOOD-MAINCAB-WD	1
2	CASTER 2'5	2-1/2" CASTER	4
3	LEG LEVELER - 1/2"-13 X 4.00LG	LEG LEVELER - 1/2"-13 X 4.00LG	4
4	LEG LEVELER PLATE	2.50 X 2.50 X 1/2-13 CTR-LEVELER PLATE	4
5	606-01176-01	DECAL-LEFT-SIDE-MAINCAB-WD	1
6	606-01177-01	DECAL-RIGHT-SIDE-MAINCAB-WD	1
7	606-01178-01	DECAL-LOWER -MAINCAB-WD	1
8	606-01179-01	DECAL-UPPER-MAINCAB-WD	1
9	1_550_imperial_assy_asm	55" KORTEK LCD ASSY	1
10	600-01206-01	BRACKET-FRAME-HORIZ-55LCD-ALIENS	2
11	600-01205-01	BRACKET-FRAME-VERT-55-LCD-ALIENS	2
12	Foamtape-horz	.25 x .50 x 47.74LG FOAM TAPE	2

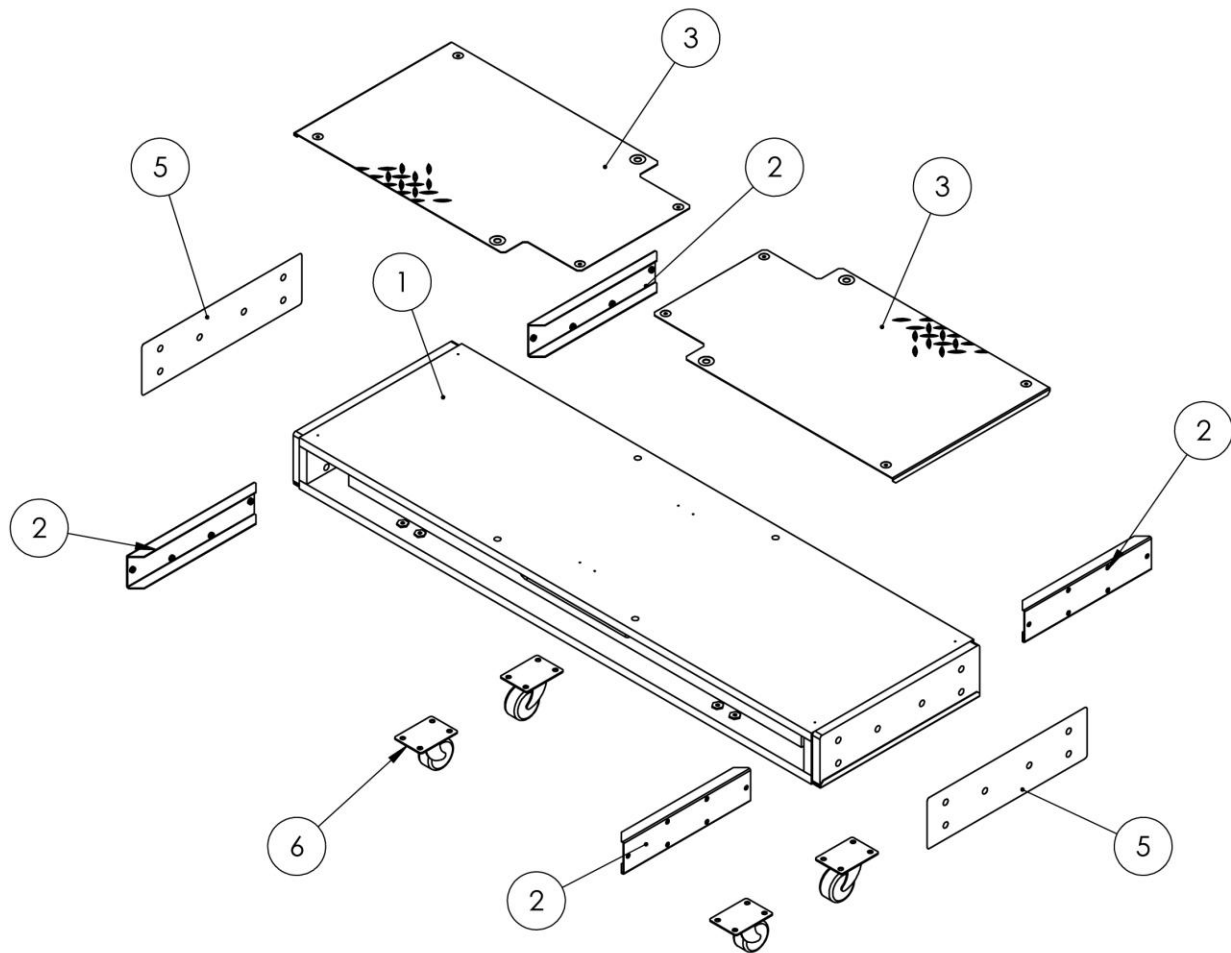
13	Foamtape-vert	.25 x .50 x 29.00LG FOAM TAPE	2
14	600-01137-01	BRACKET-MOUNT-55LCD-OPEN-FRAME	4
15	600-01138-01	GLASS-SHIELD-55LCD	1
16	600-01482-01	JP-55-STRUT-LCD	2
17	600-01852-01	VAULT-COIN-WD	1
18	603-00790-01	PETG-CONTROL-PANEL-WD	1
19	606-01192-01	DECAL-CONTROL-PANEL-WD	1
20	800-00005-01	MID-WIDTH COINDOOR – BBHD	1
21	702-00054-00	LARGE RND – BLUE – START-BUTTON	1
22	702-00058-00	LARGE RND – GREEN – START-BUTTON	1
23	601-00762-01	WD-MAINCAB-REAR-DOOR	1
24	Lock 7/8" w/ 1.25 Cam	LOCK STANDARD	2
25	LOCK RETAINER N202-130	LOCK RETAINER N202-130	2
26	601-00763-01	WD-MAINCAB-LCD-DOOR	1
27	603-00718-01	LED-TMOLD-WD-CP-21LG	2
28	500-00131-01	LED-STRIP-WD-CP-21LG	2
29	600-01501-01	RIO-MOUNT-PLATE-W-MOTION-CNTRL	1
30	500-00040-01	RIO-BOARD	1
31	500-00144-03	Motion Control PCB	1
32	500-00194-01	5V, 5A Switching Regulator (12V input)	1
33	87425K76 (56 length)-for-HP	Nylon Strip 0.075" Thick, 1" Width, Black (56" Length)	2
34	29705T86 (male)	Buckle for 1" Wide Webbing (Male)	2
35	29705T86 (female)	Buckle for 1" Wide Webbing (Female)	2
36	600-01681-01	PLATE, AC – LINE FILTER, CIRCUIT BREAKER, ON/OFF SW	1
37	Power Inlet Receptacle	IEC Appliance Inlet, Screw-on Mounting, Front Side, Quick-connect, 10A	1
38	T9-611-5A	5A-Circuit Breaker, Snap-in type, Fuseholder style, 1 pole (Schurter #4404.0007)	1
39	1832-33-12	AC-SWITCH-15AMP-12V-HEILAND-ELECT	1
40	Ring and Spade Tongue Terminal	Ring and Spade Tongue Terminal (#8 screw)	1
41	HP6005	HP 6005 PC Assy	1
42	600-00891-01	Securing Nylon Strap Plate	2
43	FOAM-PC-.5X8X14.5	FOAM-PC-.58X14.5 – POLYETHYLENE PLANK	1
44	2-1-10-00-00-000	5.25 FULL RANGE SPEAKER	4
45	500-00166-01	MEANWELL-150W-12V-DUAL-VOLT-PS	1
46	500-00187-01	150W-24V-POWER-SUPPLY	2
47	820-00001-00	FAN,120VAC,19/15W	3
48	800-00001-00	120mm Wire Fan Guard	3
49	600-01458-01	JP-55-CTR-CONNECT-BRACKET	1
50	600-01464-01	JP-55-SPEAKER-GRILL	2
51	600-01849-01	BRACKET-SUPPORT-CP-WD	2
52	600-01850-01	ANGLE-SUPPORT-CP-WD	2
53	600-01851-01	WD-CP-DECAL-BRACKET	1
54	600-01853-01	GRILL-CP-SPEAKER-WD	2
55	600-01899-01	CLIP-LED-WD	2
56	606-01193-01	DECAL-CP-CENTER-WD	1
57	606-01194-01	DECAL-CP-HEADER-WD	1
58	LEFT-CONTROL-PANEL-ASSY	LEFT-CONTROL-PANEL-ASSY	1
59	RIGHT-CONTROL-PANEL-ASSY	RIGHT-CONTROL-PANEL-ASSY	1

## Final Cabinet Assembly



Item	Description	QTY
1	WD-55-MAIN-CAB-ASSY	1
2	WD-55-SEAT-CAB-ASSY	1
3	WD-55-FLOOR-BOX-ASSY	1
4	WD-ROOF-ASSY	1
5	WD-LIGHTBOX-ASSY	1
6	WD-SQ-LIGHTBOX-ASSY	1
7	WD-55-MAINCAB-BARBEDWIRE-ASSY	1
8	WD-55-SEATCAB-POST-ASSY	2

## Floor Box Assembly

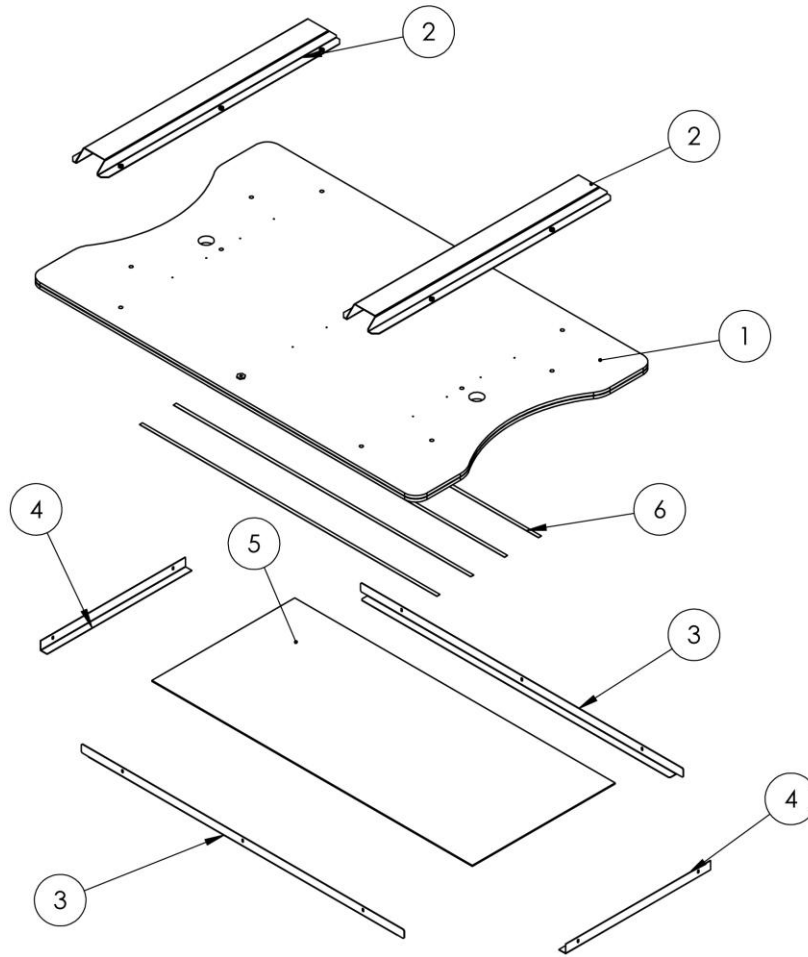


### Floor Box Assembly Part Numbers

Item	Part No.	Description	QTY
1	600-01847-01	WD-WOOD-FLOOR-BOX	1
2	600-01457-01	JP-55-CONNECT-BRACKET	4
3	600-01863-01	DIAMOND-PLATE-WD	2
4	600-01864-01	TRIM-FLOOR-WD	2
5	606-01191-01	DECAL-FLOORBOX-SIDE-WD	2
6	CASTER – 2-1/2"	CASTER – 2-1/2"	4



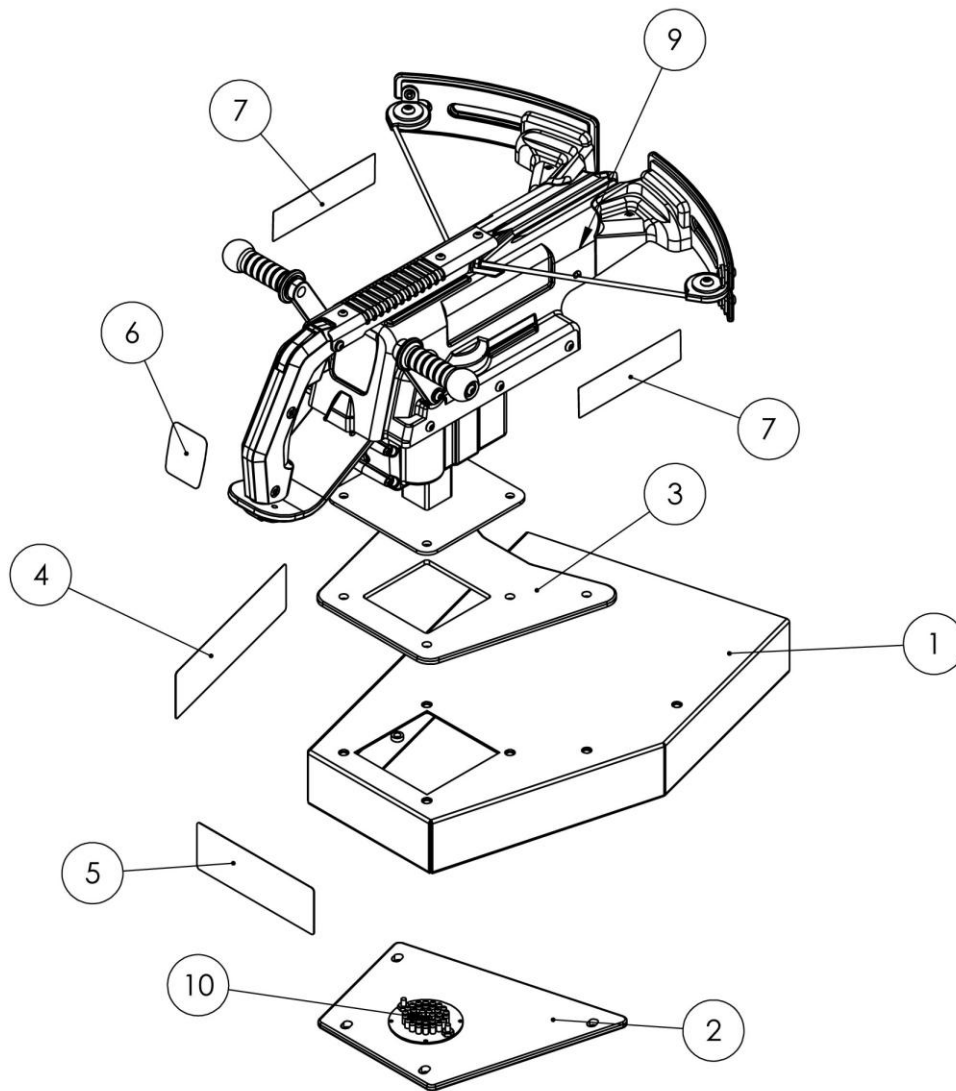
## Roof Assembly



### Roof Assembly Part Numbers

Item	Part No.	Description	QTY
1	601-00761-01	ASSY-WOOD-ROOF-WD	1
2	600-01865-01	WD-55-ROOF-BRACKET	2
3	600-01802-01	RETAINER-CROSS-ROOF-WD	2
4	600-01801-01	RETAINER-END-ROOF-WD	2
5	603-00785-01	PANEL-DIFFUSION-ROOF-WD	1
6	500-00184-100	100CM-RGB-LED-STRIP-LIGHT-60LEDS	4

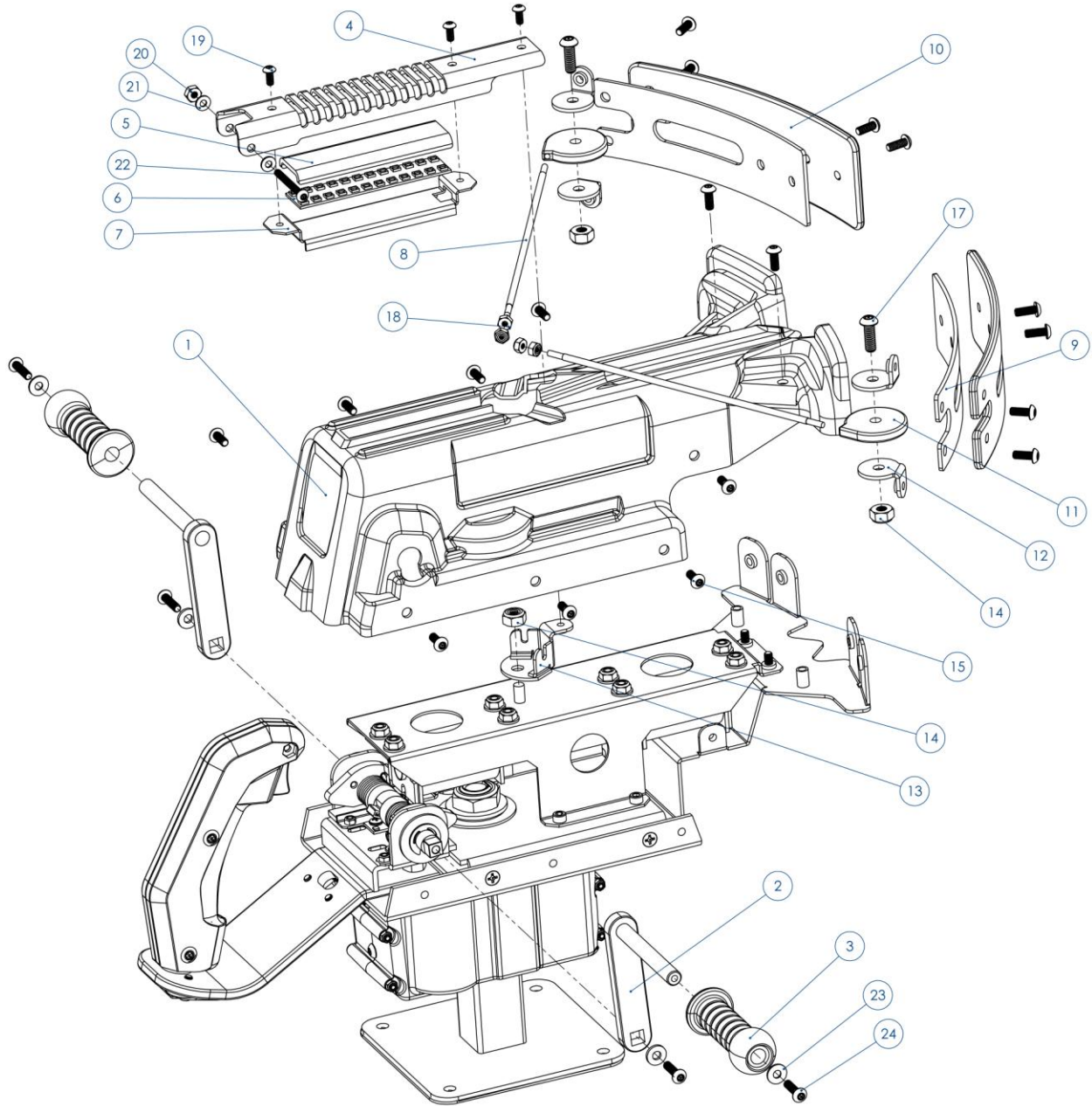
### Left/Right Control Panel Assembly



#### Left/Right Control Panel Assembly Part Numbers

Item	Part No.	Description	QTY
1	600-01847-01	BRACKET-CP-LEFT-WD	1
	600-01848-01	BRACKET-CP-RIGHT-WD	
2	603-00793-01	COVER-BOTTOM-CP-WD	1
3	603-00792-01	ACRYLIC-GREEN-CP-WD (LEFT)	1
	603-00791-01	ACRYLIC-BLUE-CP-WD (RIGHT)	
4	606-01215-01	DECAL-JOIN-IN-WD	1
5	606-01197-01	DECAL-PLAYER-1-WD	1
	606-01198-01	DECAL-PLAYER-2-WD	
6	606-01195-01	DECAL-CROSSBOW-FRONT-WD	1
7	606-01196-01	DECAL-CROSSBOW-SIDE-WD	1
8	820-00024-01	ASSY-BOW-MECH-WD	2
9	820-00024-01	Crossbow Main Assembly	1
10	500-00205-01	White LED Superpuck PCB-36LEDS	1

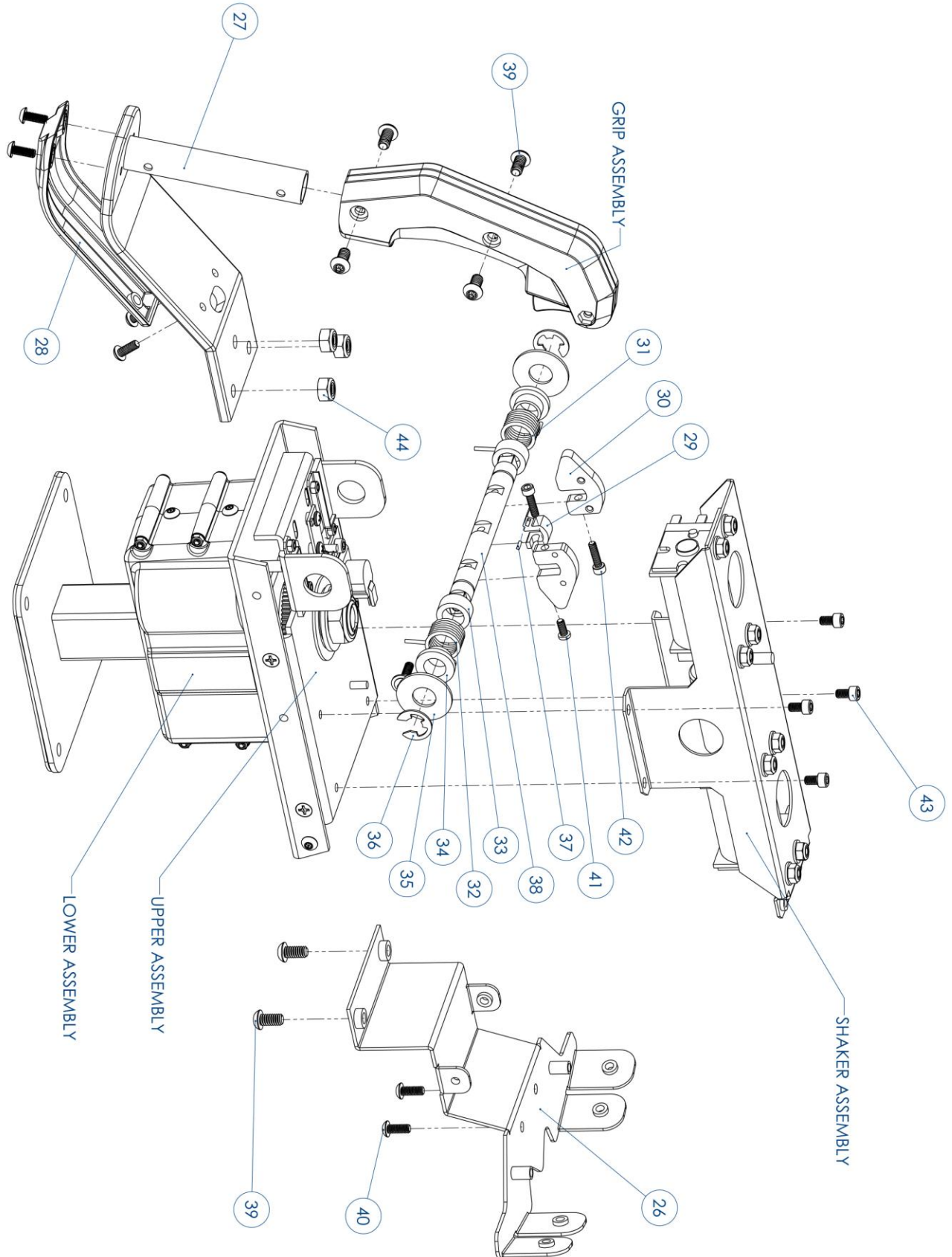
### Crossbow Main Assembly



**Crossbow Main Assembly Part Numbers**

Item	Part No.	Description	QTY
1	600-01841-01	Bow main cover	1
2	600-01824-01	Reload arm	2
3	600-01831-01	Reload handle	2
4	600-01814-01	Top handle bracket	1
5	600-01903-01	LED Diffuser	1
6	500-00217-01	LED Board	1
7	600-01815-01	LED Bracket	1
8	600-01822-01	Bow Rod	2
9	600-01819-01	Bow Backer Bracket	2
10	600-01830-01	Bow Plastic	2
11	600-01821-01	Pulley Wheel	2
12	600-01820-01	Wheel Bracket	4
13	600-01823-01	Bow Rod Center Bracket	1
14	MMC 90652A029	¼-20 Thin black locknut	3
15	MMC 91355A077	10-32 x ½" black tamperproof screw	18
17	MMC 9135A082	¼-20 x ¾" black tamperproof screw	2
18	MMC 94407A101	6-32 black locknut	4
19	MMC 91355A074	8-32 x 3/8" black tamperproof screw	3
20	MMC 94407A102	8-32 black locknut	1
21	MMC 96765A120	8-32 black washer	2
22	MMC 96075A155	8-32 x 1.5" black tamperproof screw	1
23	MMC 97416A115	10-32 black washer	4
24	MMC 96075A191	10-32 x ¾" black tamperproof screw	4

# Crossbow Top Assembly

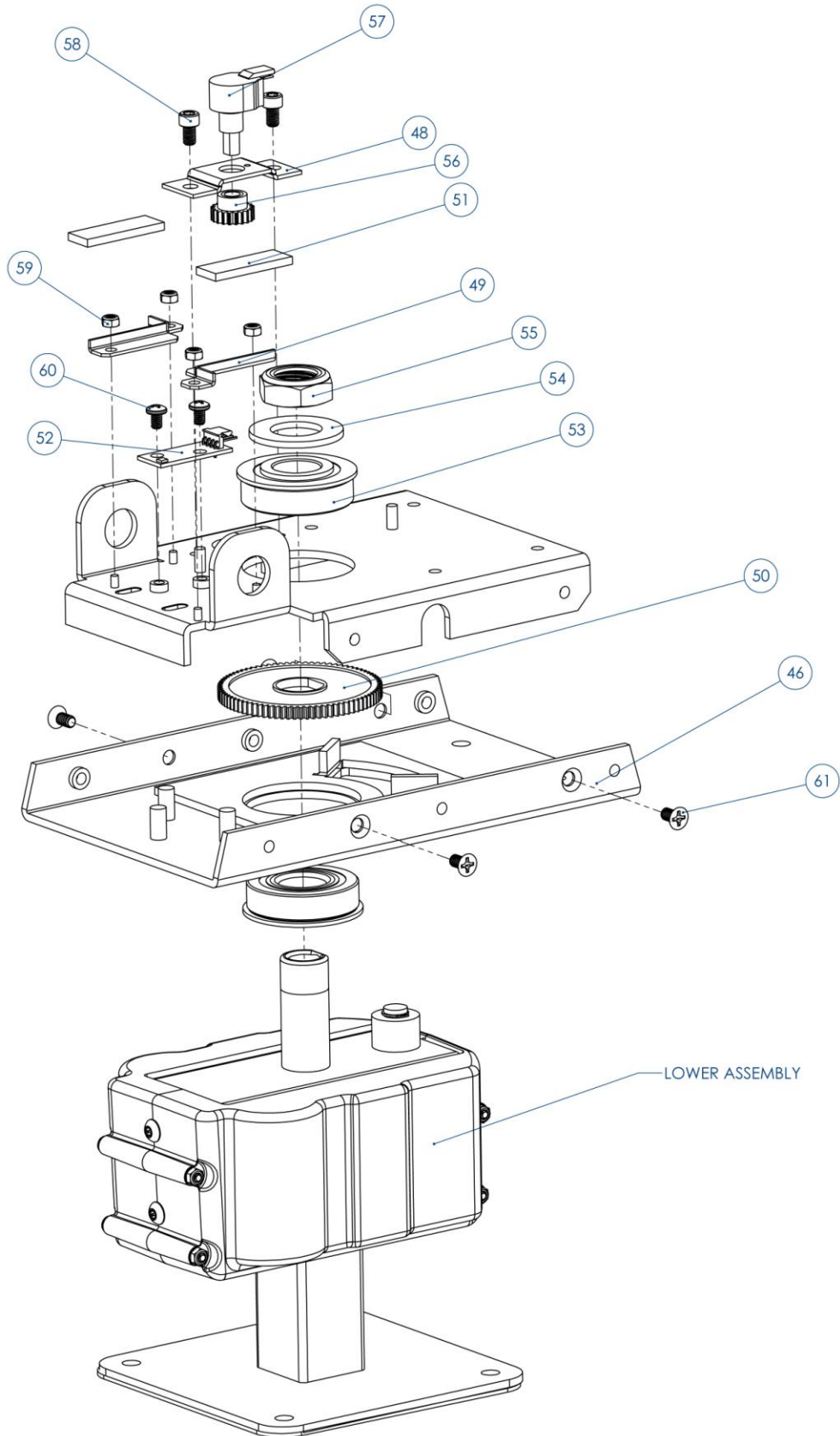


**Crossbow Top Assembly Part Numbers**

Item	Part No.	Description	QTY
26	600-01817-01	Front Bow Bracket	1
27	600-01812-01	Grip Support Bracket	1
28	600-01834-01	Cable Cover	1
29	600-01833-01	Magnet Holder	1
30	600-01827-01	Pivot Stop	2
31	600-01828-01	Torsion Spring – left hand	1
32	600-01829-01	Torsion Spring – right hand	1
33	600-01869-01	Spring Spacer	2
34	MMC 1677k7	Flanged sleeve bearing with ptfe	2
35	MMC 92141A033	½" ID stainless steel flat washer	2
36	MMC 97431A340	½" e-ring	2
37	600-00788-01	3/16" dia x 1/16" thick magnet	1
38	600-01826-01	Reload shaft	1
39	MMC 96075A211	¼-20 x ½" black tamperproof screw	6
40	MMC 91355A077	10-32 x ½" black tamperproof screw	6
41	MMC 92220A152	8-32 x 3/8" low profile cap screw	1
42	MMC 91251A196	8-32 x 5/8" cap screw	2
43	MMC 91251A191	8-32 x 5/16" cap screw	4
44	MMC 90652A029	1/4-20 thin locknut	3



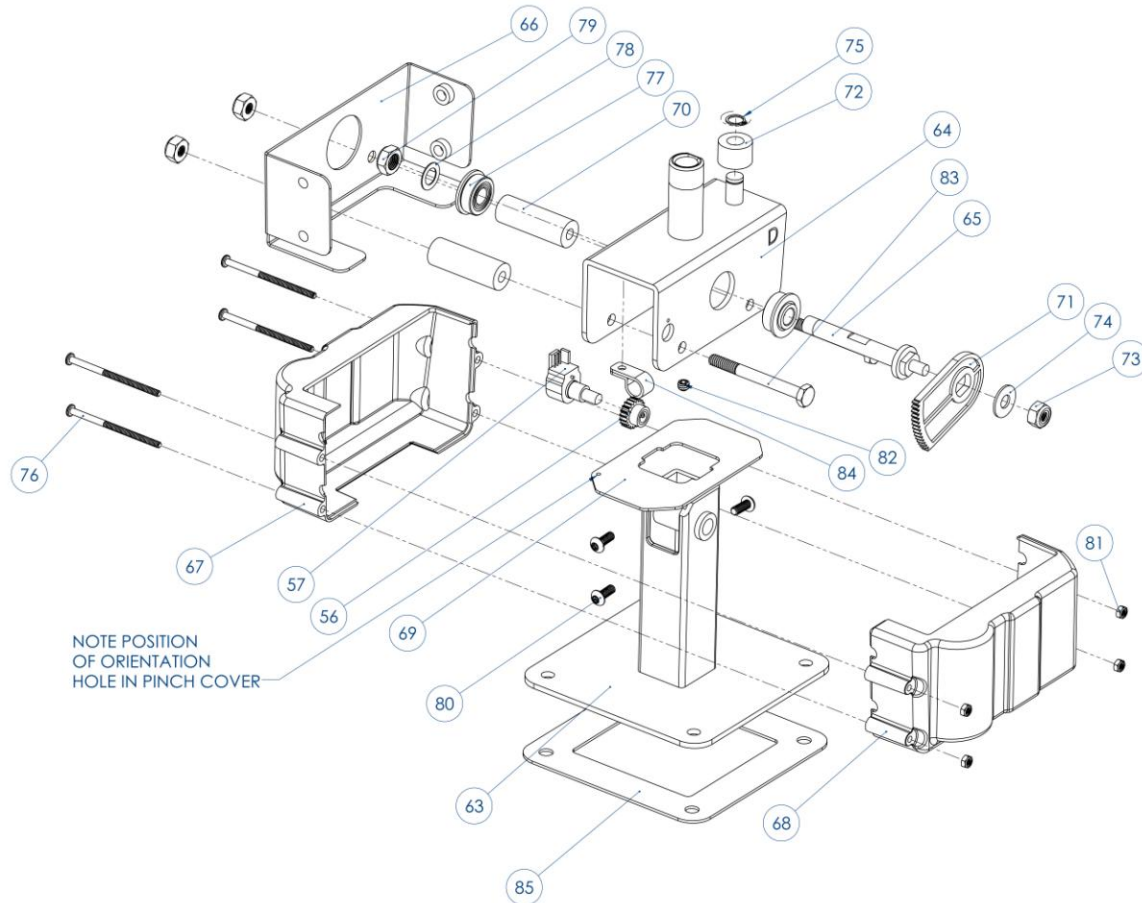
## Crossbow Upper Assembly



**Crossbow Upper Assembly Part Numbers**

Item	Part No.	Description	QTY
46	600-01813-01	Base bracket	1
47	600-01816-01	Upper base bracket	1
48	600-01491-01	Pot bracket	1
49	600-01826-01	Stop holder bracket	2
50	600-01420-01	Large gear	1
51	600-01832-01	Stop bumper	2
52	600-00762-01	Hall effect board	1
53	MMC 6384K369	¾" flanged bearing	2
54	MMC 90126A036	¾" washer	1
55	MMC 91342A240	¾" locknut	1
56	600-01567-01	Small pot gear	1
57	HAPP 50-2670-01	Pot – 5k	1
58	MMC 91251A191	8-32 x 5/16" cap screw	2
59	MMC 90631A005	4-40 locknut	4
60	MMC 90272A190	8-32 x ¼" Phillips screw	2
61	MMC 90273A827	10-32 x 3/8" flathead Phillips screw	4

## Crossbow Lower Assembly

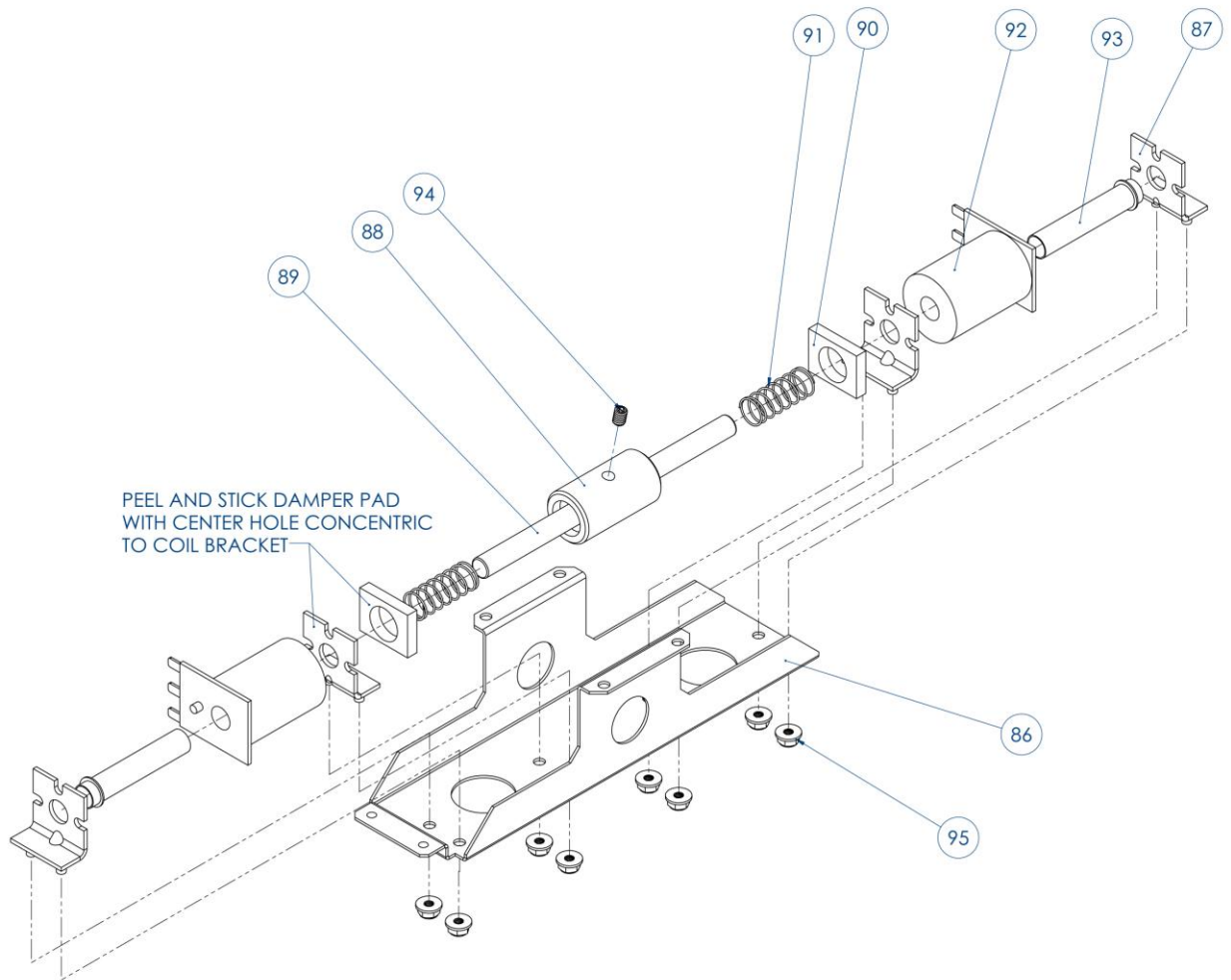


### Crossbow Lower Assembly Part Numbers

Item	Part No.	Description	QTY
63	600-01426-01	Lower tube weldment	1
64	600-01425-01	Rocker bracket	1
65	600-01424-01	Side pin	1
66	600-01496-01	Lower mounting bracket	1
67	600-01738-01	Lower cover-left	1
68	600-01739-01	Lower cover – right	1
69	600-01419-01	Pinch cover	1
70	600-01418-01	Tube stop bumper – 5/8" OD	2
71	HAPP 96-4907-00	Segment gear	1
72	600-01417-01	Short stop bumper – 3/4" OD	1
73	MMC 90652A029	1/4-20 thin locknut	3
74	MMC 9018A413	1/4-20 washer	1
75	MMC 97633A170	Retaining clip	1
76	999-00017-01	6-32 x 2.4" black Phillips screw	4
77	MMC 6384K344	3/8" flanged bearing	2
78	MMC 95229A480	3/8" washer	1
79	MMC 90566A220	3/8" thin locknut	1
80	MMC 96075A211	1/4-20 x 1/2" black tamperproof screw	4
81	999-00021-01	6-32 black locknut	4
82	MMC 92313A532	1/4-20 x 3/16" set screw	1
83	MMC 91257A552	1/4-20 x 2.5" hex head bolt – grade 8	2
84		Cable clamp	1
85	600-01577-01	Gun isolator	1

\*Note: set screw(82) is located in lower tube weldment(63), accessed through rocker bracket(64) and requires a long 1/8" hex wrench

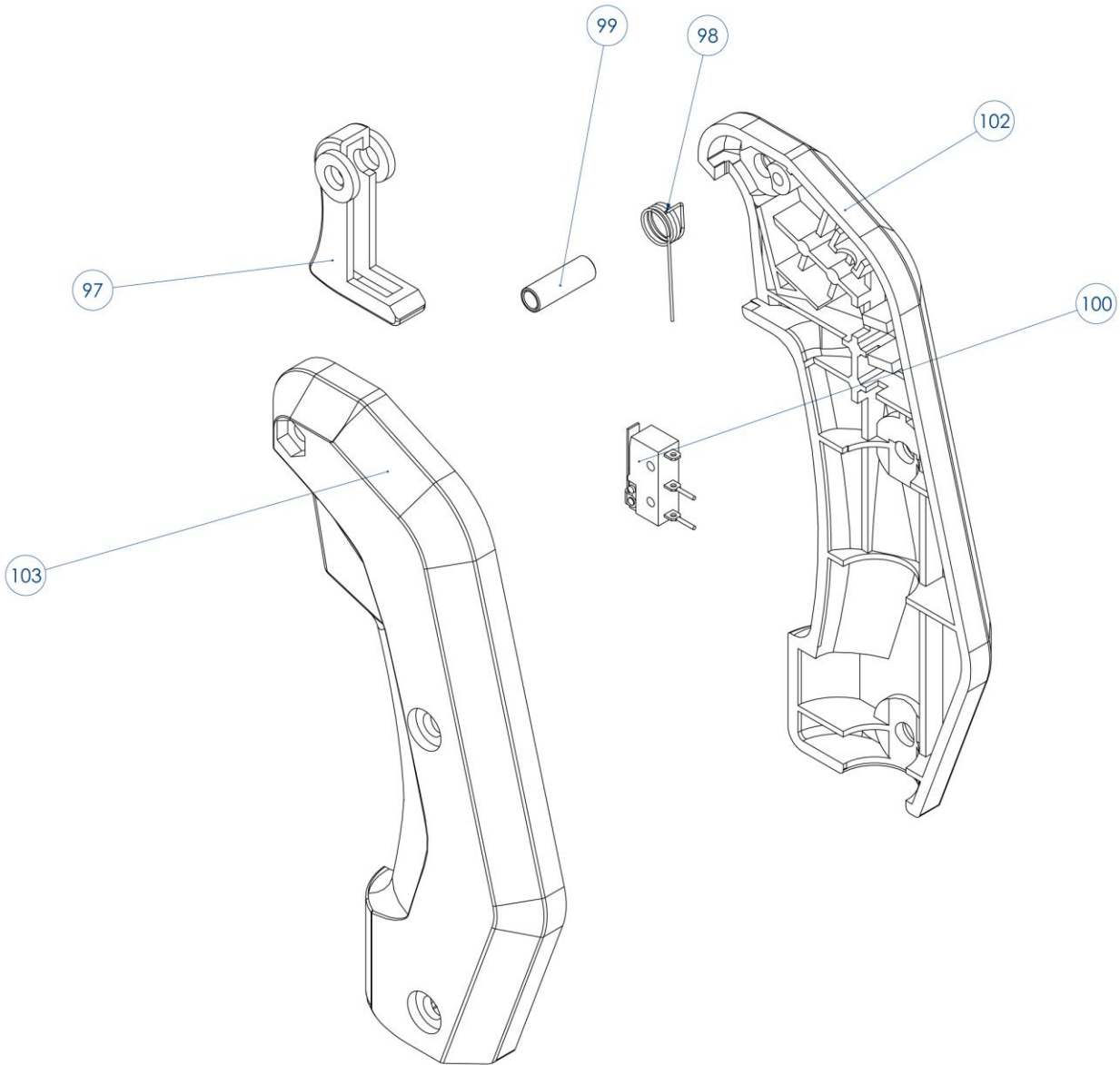
### Crossbow Shaker Assembly



### Crossbow Shaker Assembly Part Numbers

Item	Part No.	Description	QTY
86	600-1818-01	Coil bracket	1
87	600-01412-01	Coil mount bracket	4
88	600-01414-01	Coil weight	1
89	600-01413-01	Coil rod	1
90	680-00214-01	Blue damper pad	2
91	608-00210-01	Coil spring	2
92	HAPP FL11629	Coil	2
93	HAPP #95-0637-00	Coil sleeve	2
94	MMC 91375A535	¼-20 x 3/8" set screw	1
95	MMC 93298A109	10-32 flanged locknut	8

## Crossbow Grip Assembly

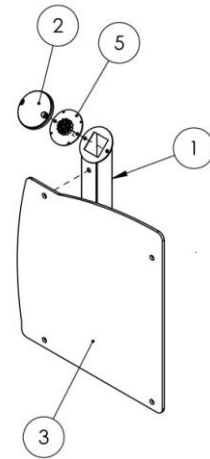


### Crossbow Grip Assembly Part Numbers

Item	Part No.	Description	QTY
97	608-00204-01	Red trigger	1
98	608-00206-01	Torsion spring	1
99	608-00205-01	Trigger shaft	1
100	608-00225-01	Switch assy wms da3 type	1
102	608-00222-01	Grip – right hand	1
103	608-00223-01	Grip – left hand	1

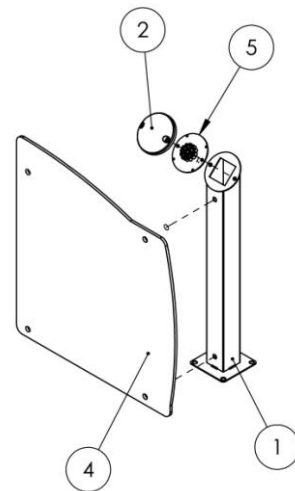
### Left Post Assembly

Item	Part No.	Description	QTY
1	600-01860-01	POST-WELDMENT-WIRE-WD	1
2	603-00540-01	LED Spotlight Lens-RED-TINT	1
3	606-01202-01	DECAL-LEFT-FRONT-BARBED-WIRE-WD	1
5	500-00065-02	RED LED PUCK LIGHT PCB	1



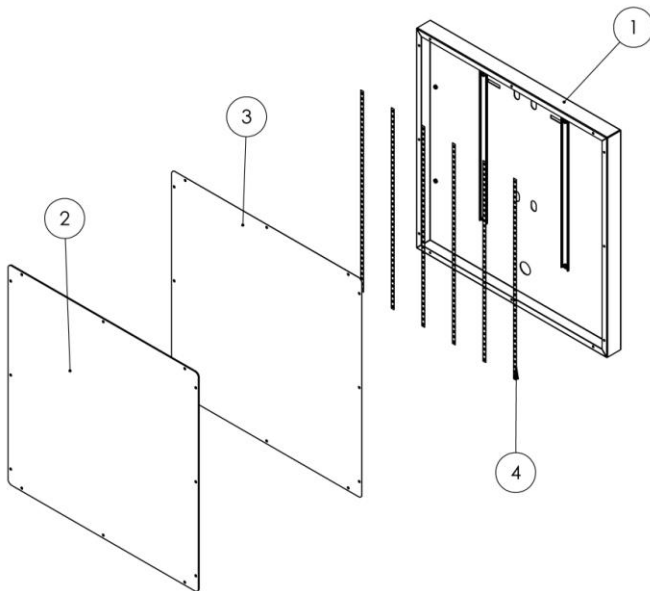
### Right Post Assembly

Item	Part No.	Description	QTY
1	600-01860-01	POST-WELDMENT-WIRE-WD	1
2	603-00540-01	LED Spotlight Lens-RED-TINT	1
4	606-01203-01	DECAL-RIGHT-FRONT-BARBED-WIRE-WD	1
5	500-00065-02	RED LED PUCK LIGHT PCB	1



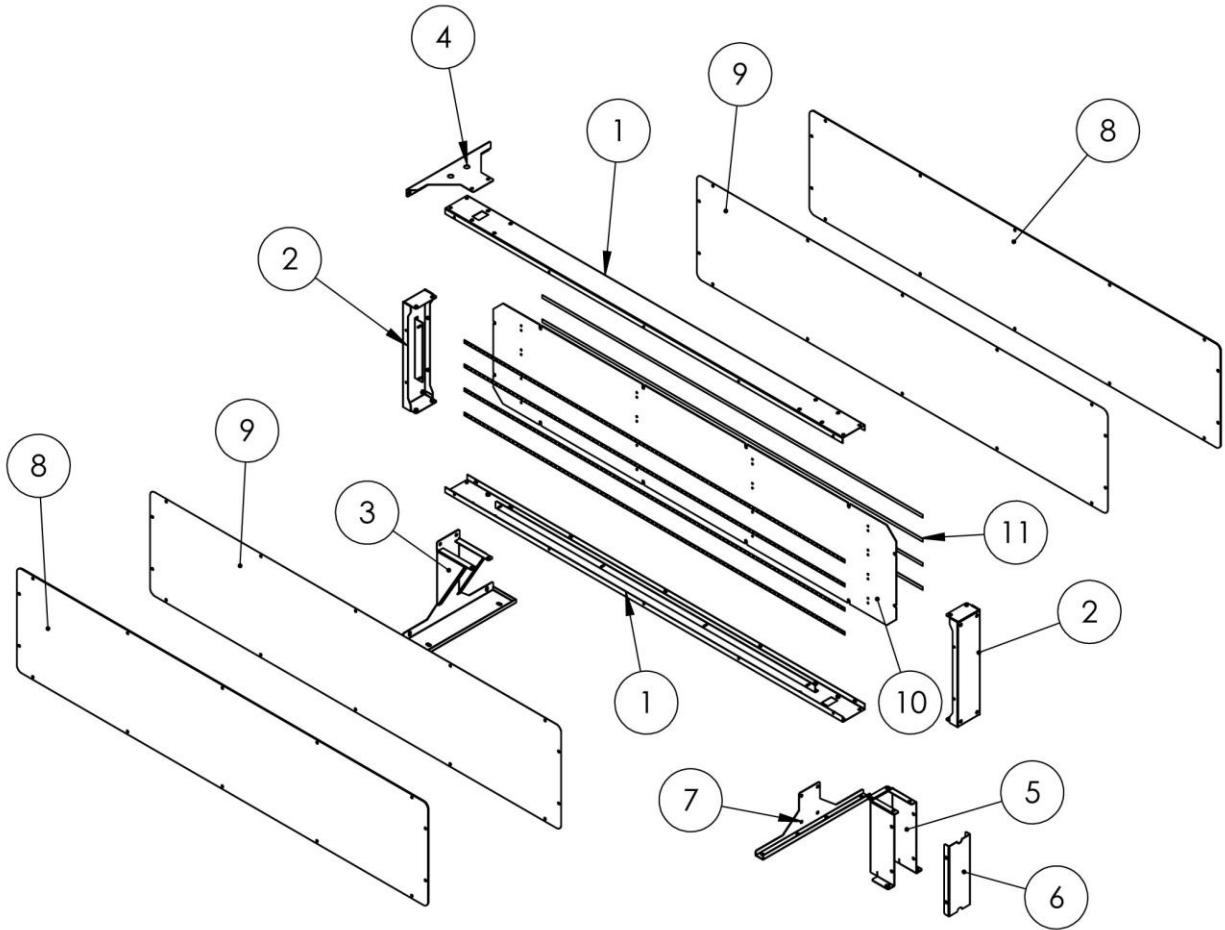
### Square Lightbox Assembly

Item	Part No.	Description	QTY
1	600-01803-01	LIGHTBOX-SQUARE-WD	1
2	603-00786-01	PETG-SQUARE-LIGHTBOX-WD	1
3	606-01199-01	WD-SQ-LIGHTBOX-TRANSLITE	1
4	500-00162-65	65CM-WHITE-LED-STRIP-39LEDS	6



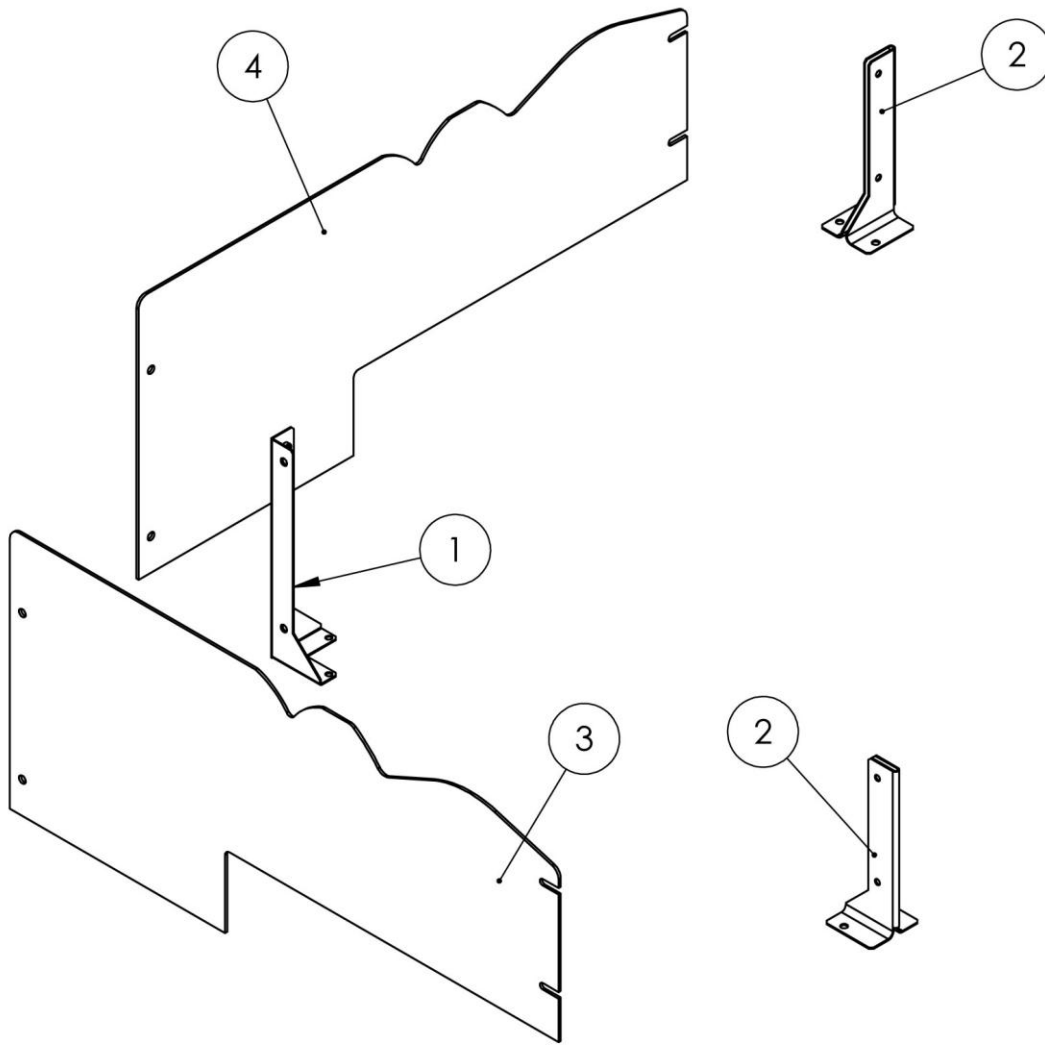


## Lightbox Assembly



Item	Part No.	Description	QTY
1	600-01804-01	FRAME-HORIZ-LIGHTBOX-WD	2
2	600-01805-01	FRAME-VERT-LIGHTBOX-WD	2
3	600-01806-01	BRACKET-FRONT-LIGHTBOX-WD	1
4	600-01807-01	BRACKET-TOP-LIGHTBOX-WD	1
5	600-01808-01	BRACKET-SUPPORT-LIGHTBOX-WD	1
6	600-01809-01	COVER-SUPPORT-LIGHTBOX-WD	1
7	600-01810-01	GUSSET-LIGHTBOX-WD	1
8	603-00787-01	PETG-LIGHTBOX-WD	2
9	606-01200-01	WD-LIGHTBOX-TRANSLITE	2
10	603-00788-01	STYRENE-REFLECTOR-LIGHTBOX-WD	1
11	500-00162-150	150CM-WHITE-LED-STRIP-90LEDS	8

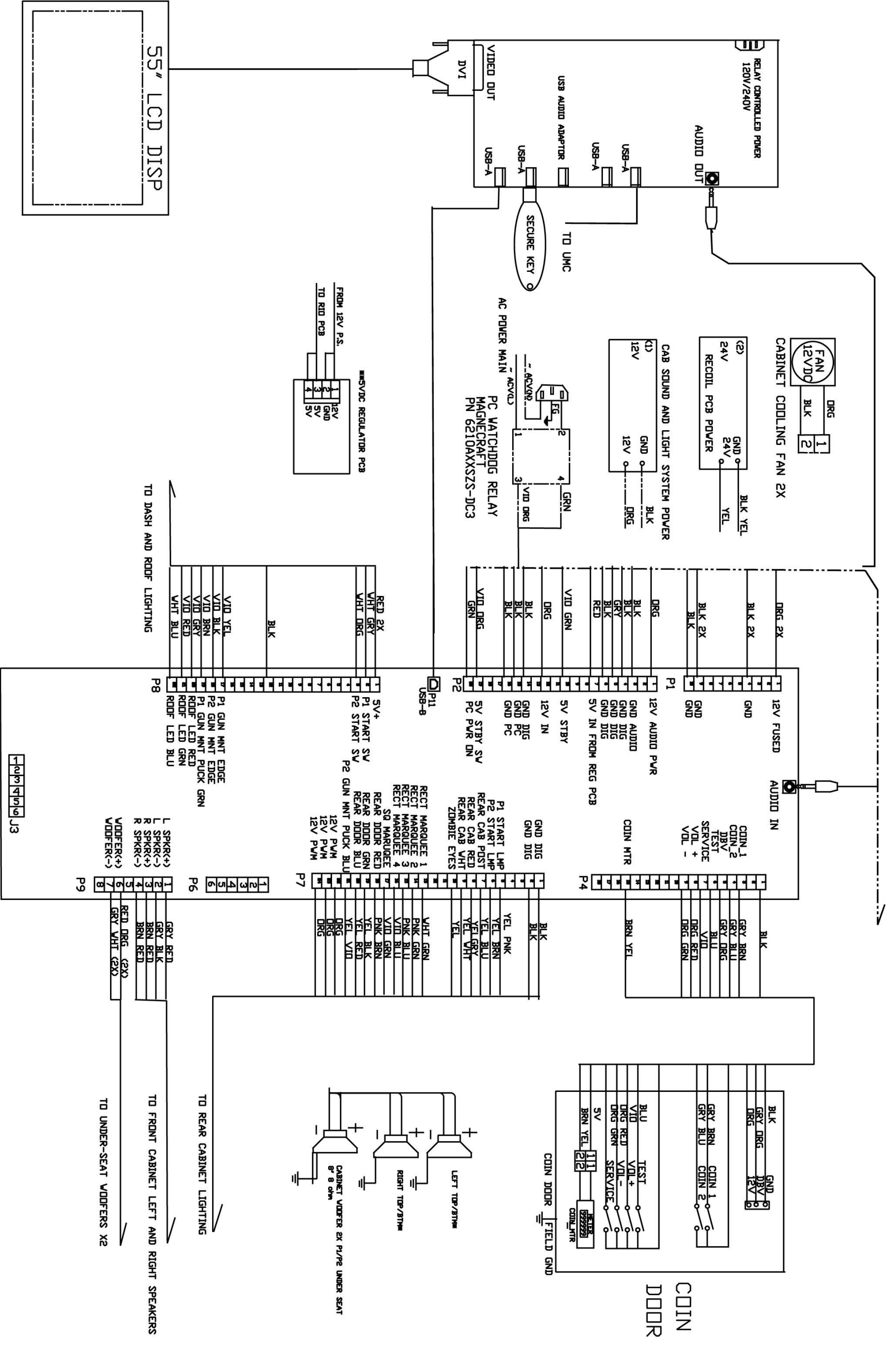
### Barbed Wire Assembly



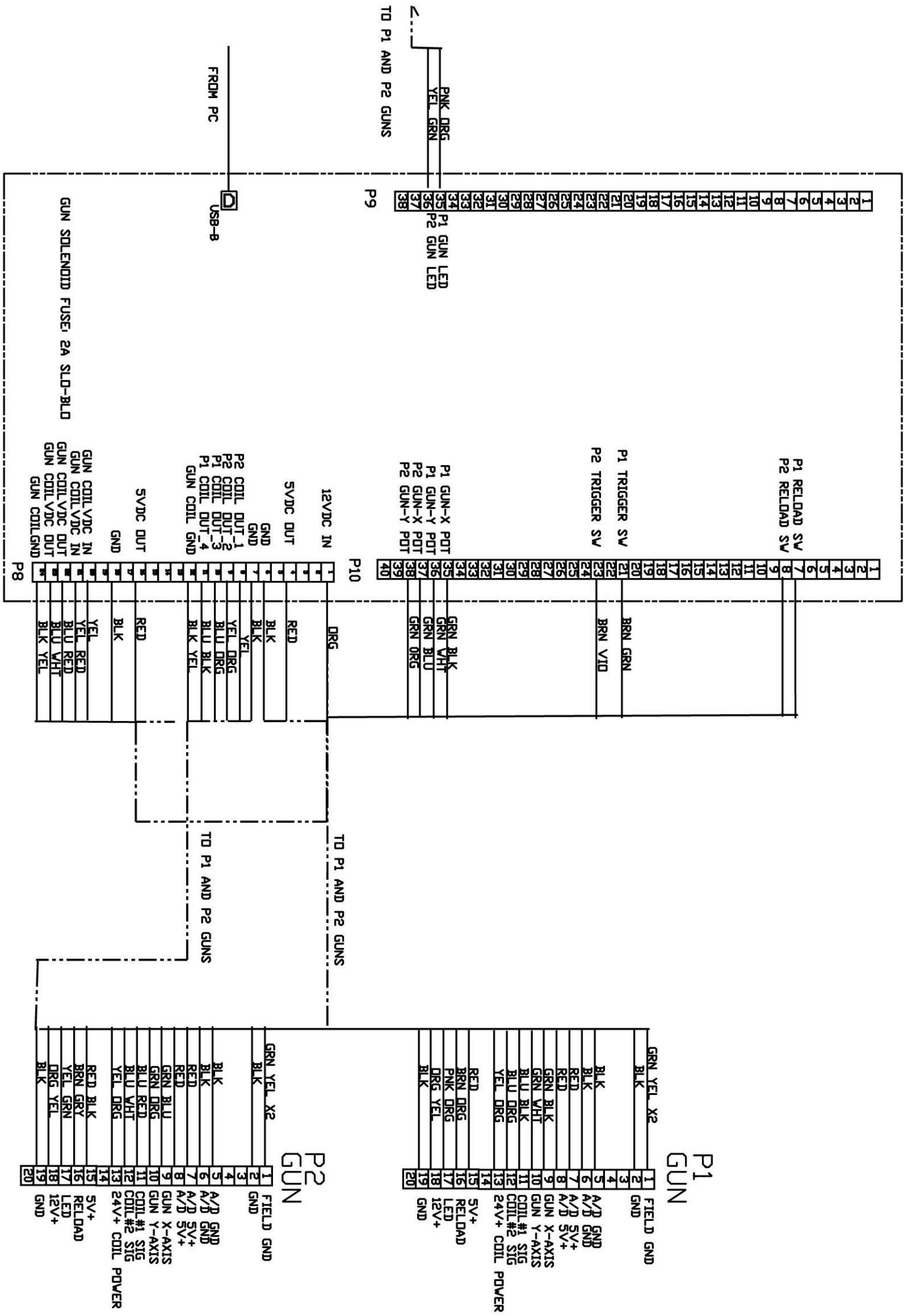
Item	Part No.	Description	QTY
1	600-01861-01	BRACKET-CORNER-WIRE-WD	1
2	600-01862-01	BRACKET-EDGE-WIRE-WD	2
3	606-01204-01	DECAL-LEFT-REAR-BARBED-WIRE-WD	1
4	606-01205-01	DECAL-RIGHT-REAR-BARBED-WIRE-WD	1

## Electrical Wiring

---



# USB MOTION CONTROLLER PCB (UMC)



## Contact Information

---

For an authorized distributor near you, visit Raw Thrills at <http://www.rawthrills.com/sales-service>

For service, contact your local distributor or your local Betson office for sales, technical information, warranty or repair. Betson can be reached at (800) 524-2343 Fax (201) 438-4837 [www.betson.com](http://www.betson.com)

### **Betson Enterprises Headquarters**

303 Paterson Plank Rd.

Carlstadt, NJ 07072

(800) 524-2343 or (201) 438-1300

fax (201) 438-4837