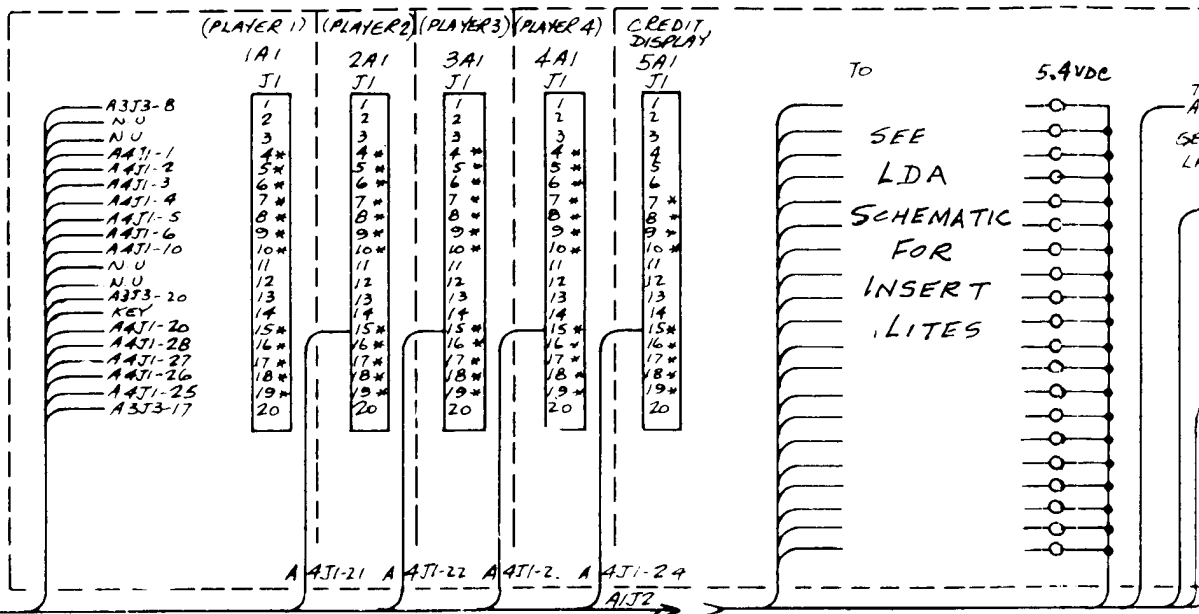


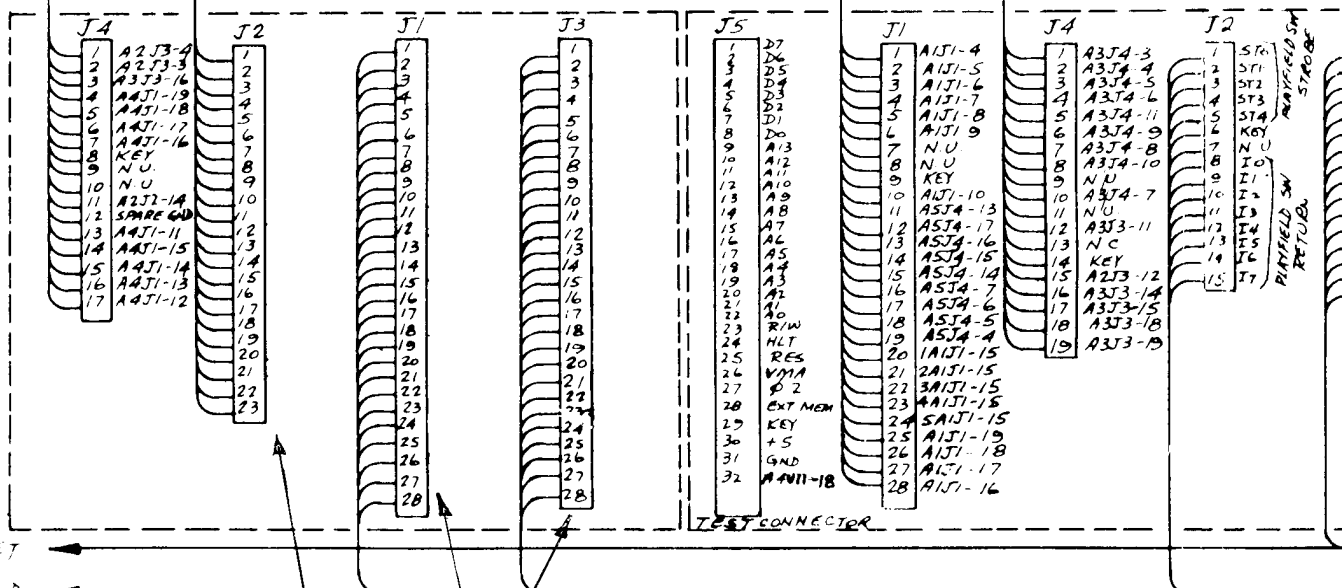
A1 INSERT

FROM	A1J2 PIN
A2J3-6	1
A5J2-14	2
A2J3-2	3
A2J3-11	4
A5J2-23	5
A5J2-15	6
A5J2-22	7
A5J2-8	8
A5J2-1	9
A5J2-2	10
A5J2-11	11
	12
A5J2-10	13
A5J2-7	14
A5J2-4	15
A5J2-20	16
A5J2-16	17
A2J3-10	18
A2J3-1	19
	20
	21
	22
	23



LAMP DRIVER AS

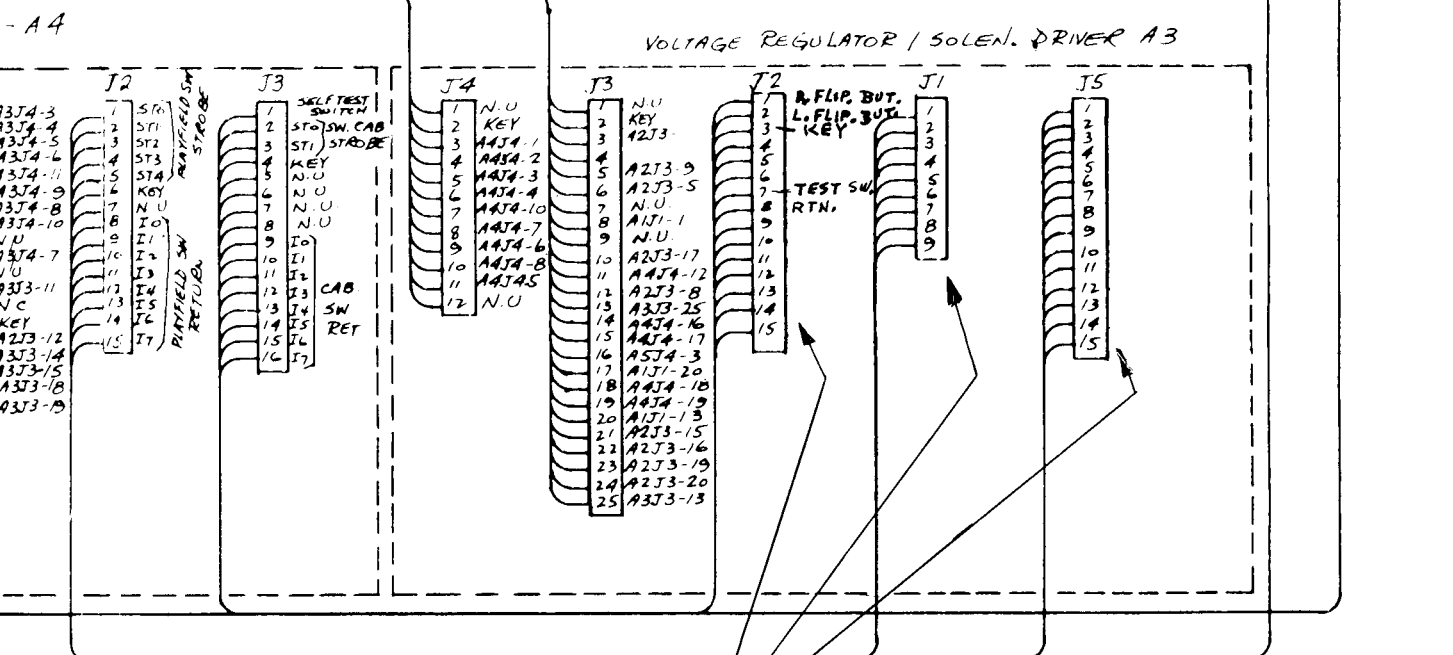
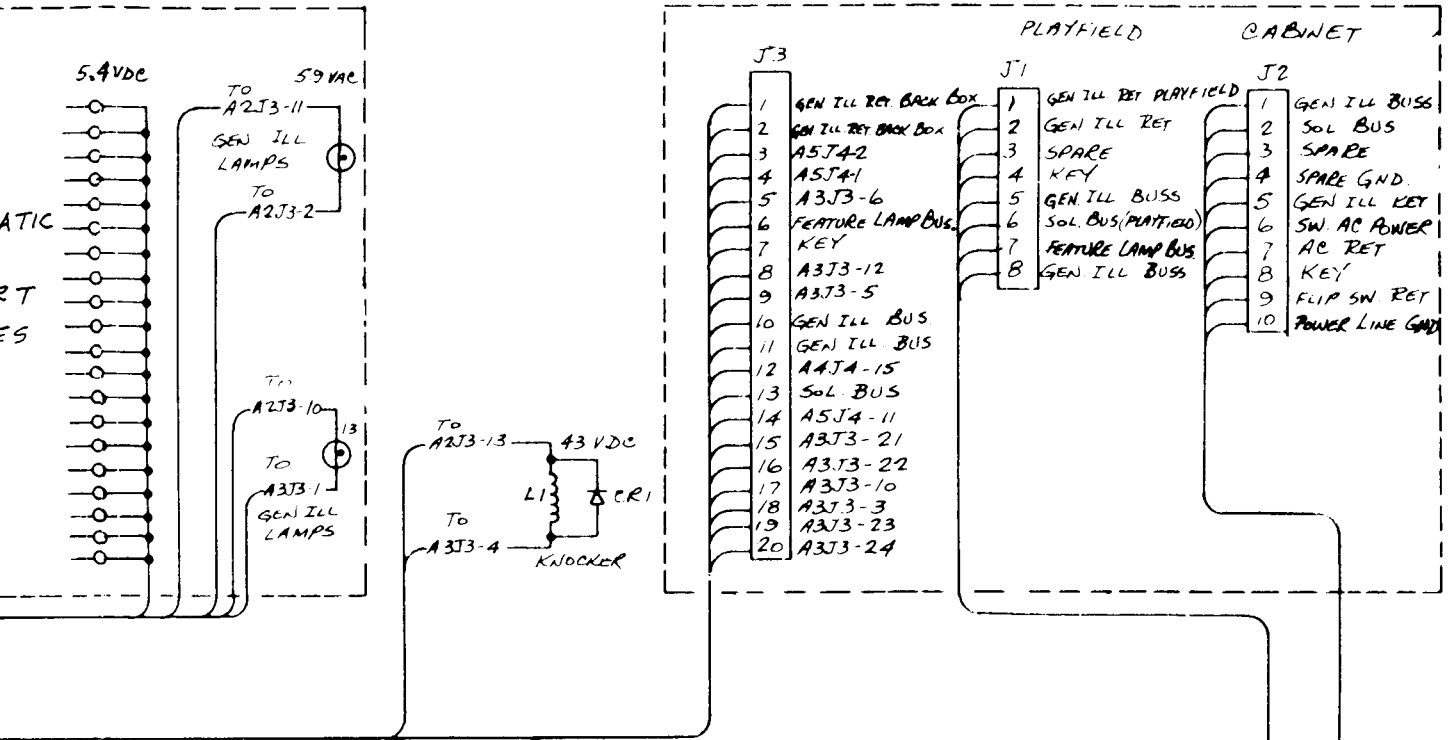
MPU - A4



TO CABINET
TO PLAYFIELD

SEE INDIVIDUAL SCHEMATIC DRAWINGS
SEE LDA SCHEMATIC FOR
FEATURE LAMP PIN OUTS

A2 TRANSFORMER



DRAWINGS FOR WIRE COLORS.

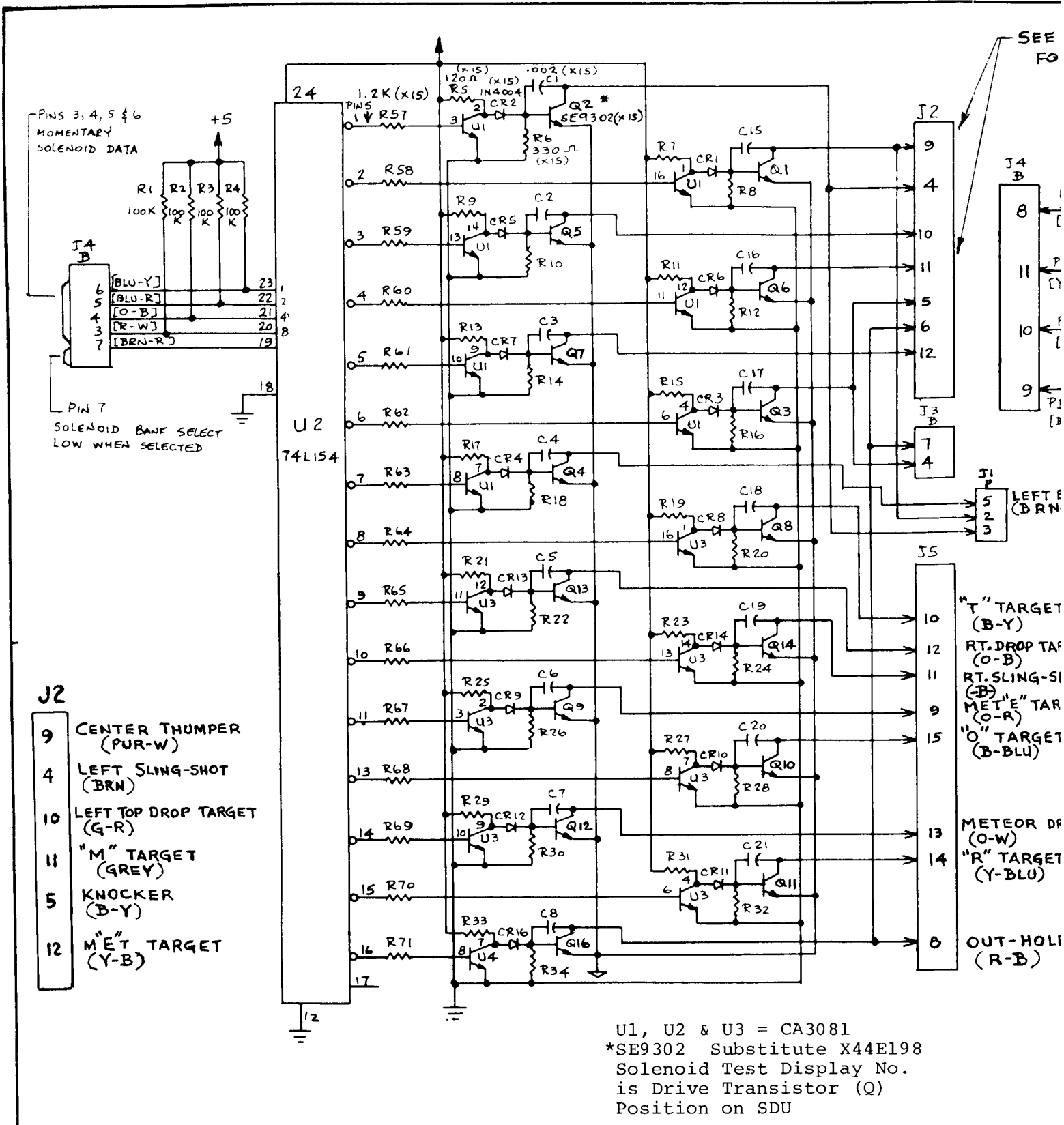
SEE SDU SCHEMATIC FOR SOLENOID PIN OUTS.

STERN ELECTRONICS INC.
 1725 DIVERSEY BLVD. CHICAGO 60614

WIRING DIAGRAM

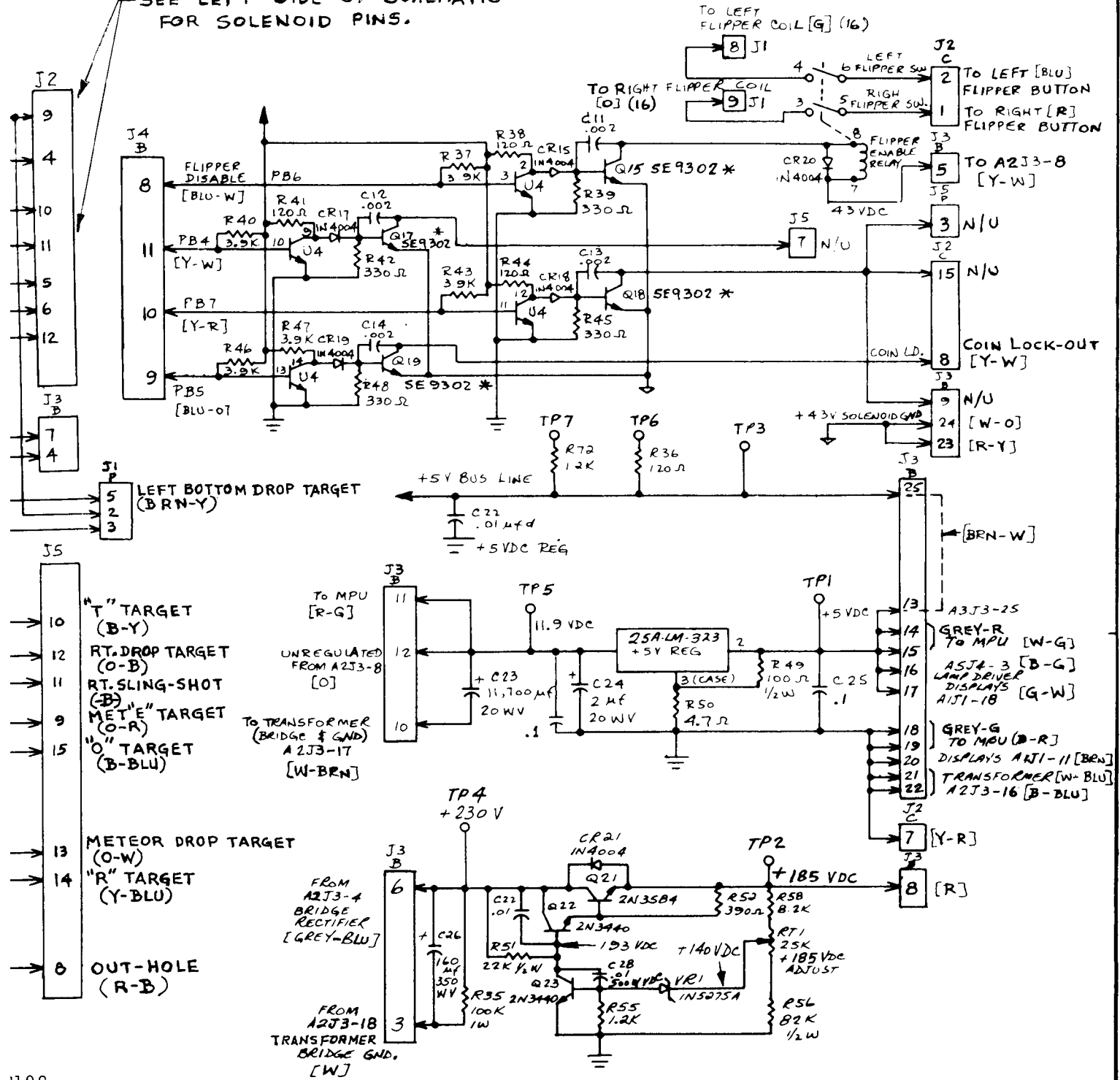
FOR **SOLID STATE**

DRN. CW	FILE	AMT. LAD
MAT. LAD	FIN. LAD	APPR.



ISSUE	CHANGE	

SEE LEFT SIDE OF SCHEMATIC FOR SOLENOID PINS.

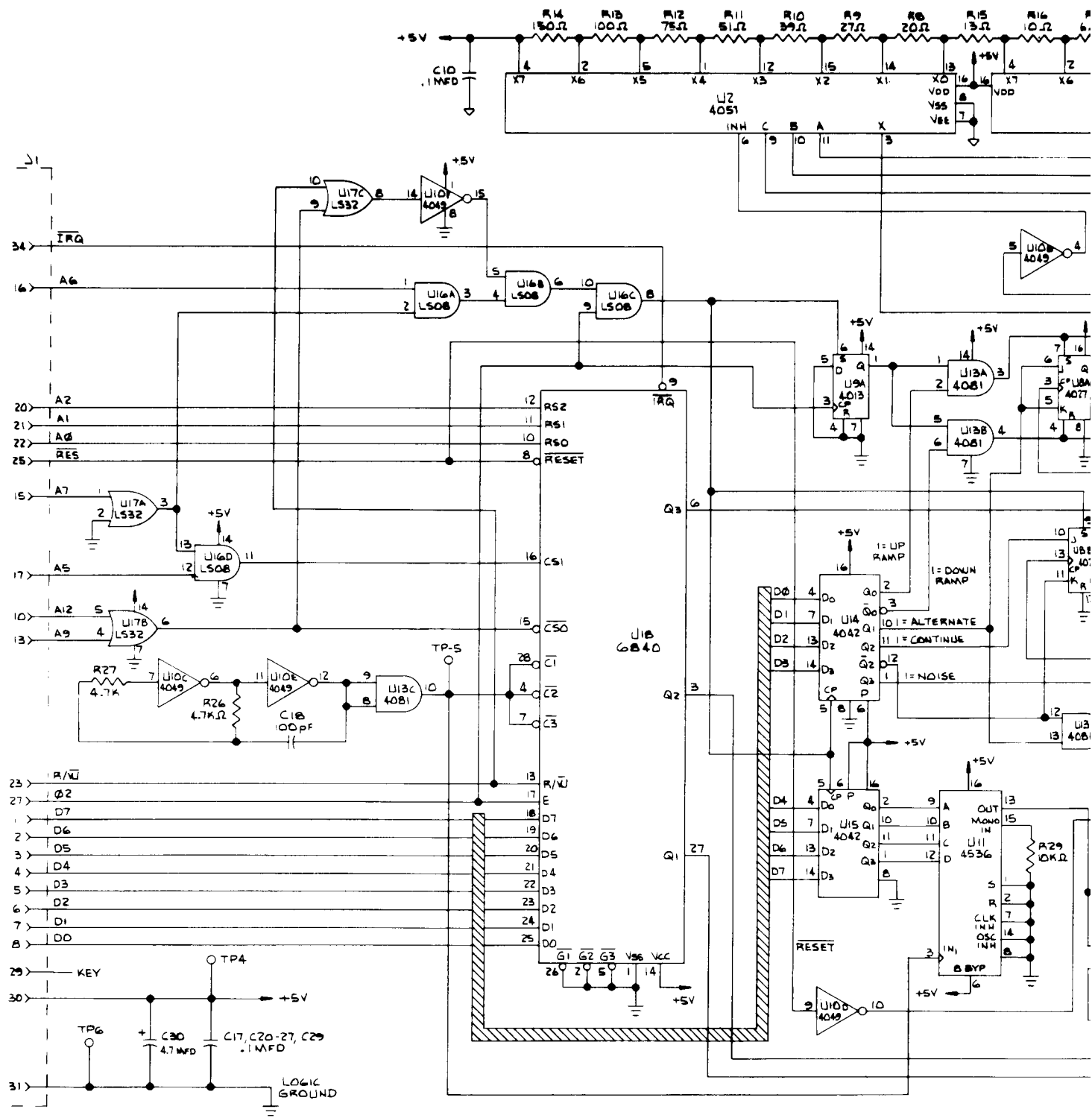


198
10.

STERN ELECTRONICS INC.		
1725 DIVERSEY BLVD. CHICAGO 60614		
SOLENOID DRIVER VOLTAGE REGULATOR SCHEMATIC		
FO. METEOR, SOLID STATE		
DRN. J.J.	DATE 8-21-79	AMT. <i>[Signature]</i>
MAT. <i>[Signature]</i>	FIN. <i>[Signature]</i>	APPR. <i>[Signature]</i>

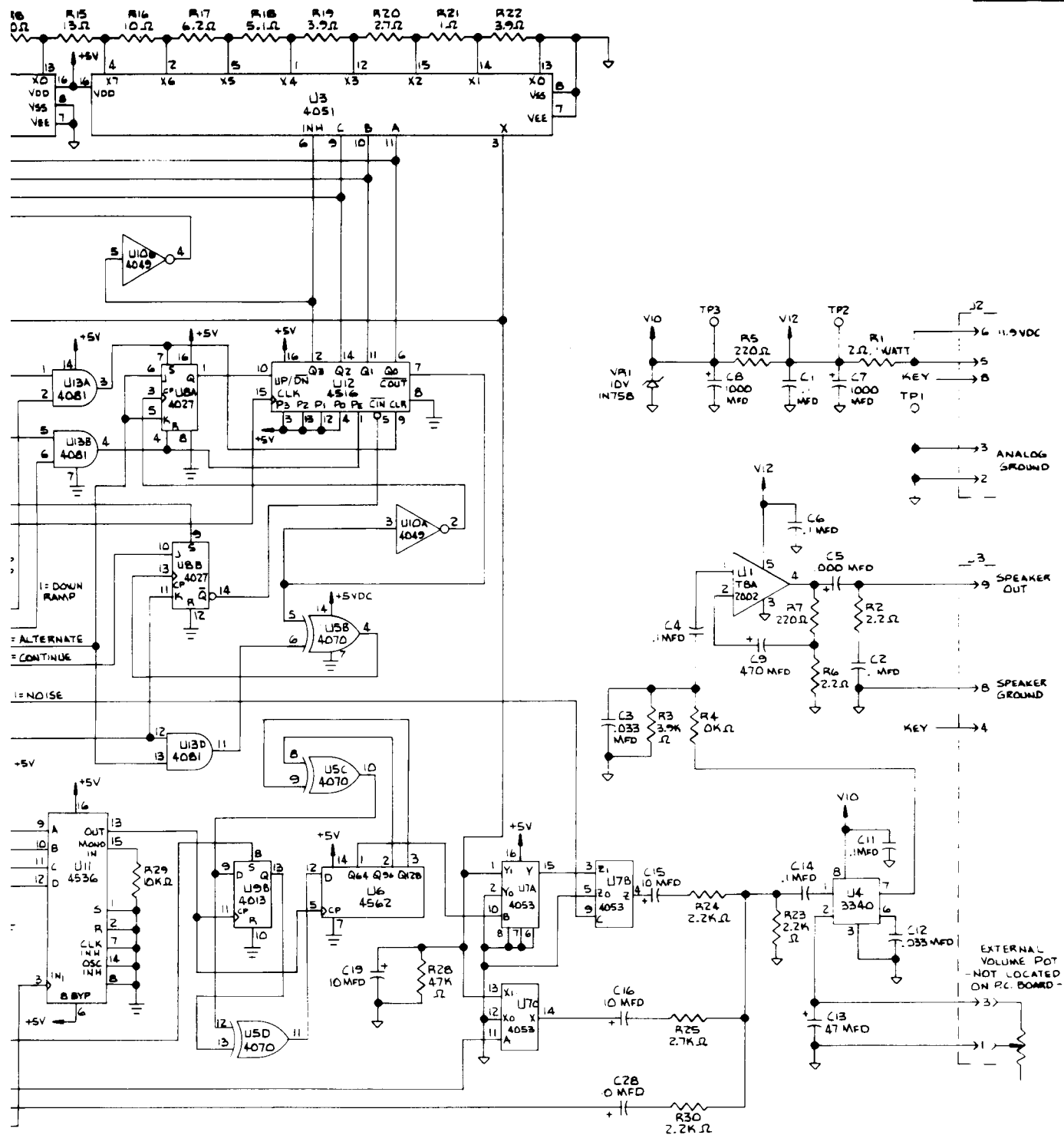
SCALE: *[Handwritten]* PART MUST BE FREE OF BURRS

Unless otherwise specified, all fractional dimensions carry tolerances of plus and minus .010; All decimal dimensions plus and minus .005. Exceptions: Drilled holes plus .003 minus .001. Die casting fractional plus and minus .005; Decimal plus and minus .003. Decimal dimensions on tools plus and minus .001. Angles ± 30' unless otherwise specified.



NO. 12B-605-S

ISSUE	CHANGE	D4



STERN ELECTRONICS INC.
 1725 DIVERSEY BLVD. CHICAGO 60614

SCHEMATIC, ELECTRONIC SOUNDS

FOR **SOLID STATE**

DRN. EW.	DATE 8-21-79	AM'T	
MAT	FIN.	APPR.	

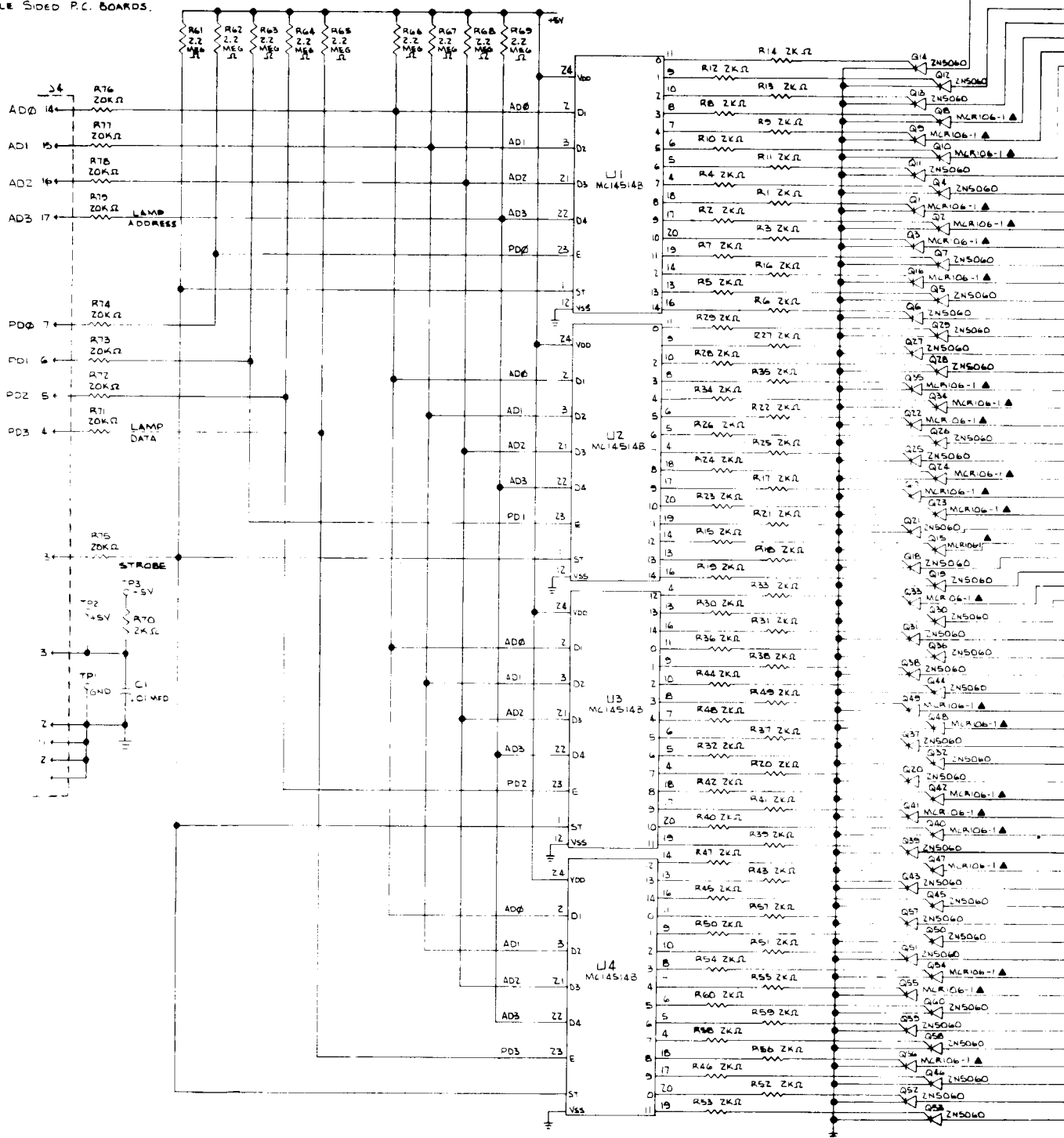
SCALE: **PART MUST BE FREE OF BURRS**

Unless otherwise specified, all fractional dimensions carry tolerances of plus and minus .010: All decimal dimensions plus and minus .005. Exceptions: Drilled holes plus .003 minus .001. Die casting fractional plus and minus .005: Decimal plus and minus .003. Decimal dimensions on tools plus and minus .001. Angles ± 30° unless otherwise specified.

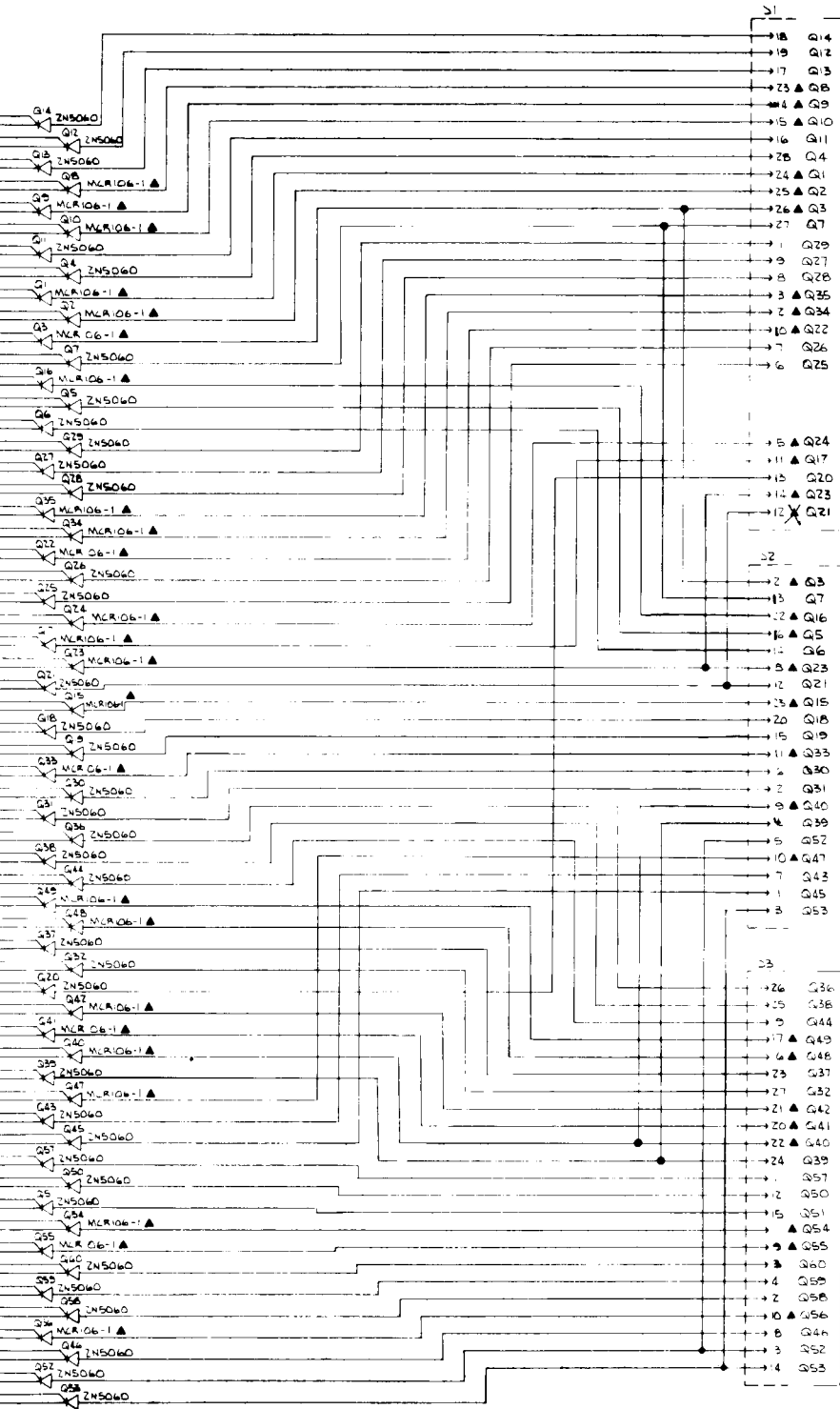
GE DATE

NOTES:

1. ▲ INDICATES MCR106-1 TRANSISTOR.
2. THIS DOCUMENT FOR LDA-100 REV. A AND LDA-REV. B SINGLE SIDED P.C. BOARDS.



ISSUE	CHANGE	DATE



DESCRIPTION	METER		PIN NO.
	WIRE COLOR	JACK "A" LAMP #1	
BOT. LT. BANK "WOW"	R-G	J-2	7
BOT. LT. D.T. SPECIAL	BRN-B	J-1	18
GAME OVER	GREY-W	J-2	11
HIGH SCORE TO DATE	GREY-O	J-2	22
LT. OUT LANE & RT. BUMPER	B-BLU	J-2	23
LT. R/O & RETURN LANE (RT.)	BRN-BLU	J-1	24
MATCH	GREY-Y	J-2	1
METEOR "DROP" B	PUR-B	J-1	25
METEOR "DROP" BLB	W-O	J-3	20
METEOR "DROP" R	B-O	J-3	21
METEOR "DROP" T	B-O	J-1	11
METEOR "DROP" M	R-BLU	J-3	18
METEOR "DROP" O"	GREY-B	J-3	10
METEOR "WOW" E	W-BLAE	J-1	13
METEOR "WOW" ZE	B-W	J-1	28
METEOR "WOW" M	Y-O	J-3	2
METEOR "WOW" O	R-W	J-3	4
METEOR "WOW" R	O-W	J-3	27
METEOR "WOW" T	BRN-R	J-1	6
#1 (L) ROCKET 1K	O-R	J-3	12
#1 (L) ROCKET 2K	R-Y	J-3	25
#1 (L) ROCKET 3K	GREY	J-1	9
#1 (L) ROCKET 4K	GREY-O	J-1	19
#1 (L) ROCKET 5K	O-R	J-3	1
#1 (L) ROCKET 6K	B	J-3	26
#1 (L) ROCKET 7K	BLU-R	J-1	1
1X	BLU-R	J-2	14
#1 (M) ROCKET 1K	Y	J-3	11
#2 (M) ROCKET 2K	Y-BLUE	J-3	17
#2 (M) ROCKET 3K	R-G	J-1	3
#2 (M) ROCKET 4K	BLU-W	J-1	23
#2 (M) ROCKET 5K	W-B	J-3	15
#2 (M) ROCKET 6K	B-R	J-3	19
#2 (M) ROCKET 7K	O-B	J-1	8
2X	O-B	J-3	15
#3 (R) ROCKET 1K	W-BLU	J-3	3
#3 (R) ROCKET 2K	W-GREY	J-3	23
#3 (R) ROCKET 3K	GREY-BLU	J-1	10
#3 (R) ROCKET 4K	GREY-Y	J-1	15
#3 (R) ROCKET 5K	W-R	J-3	9
#3 (R) ROCKET 6K	R-B	J-3	16
#3 (R) ROCKET 7K	PUR-W	J-1	2
4X	R-BLU	J-2	2
RT. BANK SPECIAL	Y-O	J-1	7
RT. BANK "WOW"	Y-B	J-2	20
RT. OUT-LANE & LT. BUMPER	PUR-Y	J-1	4
RT. R/O & LT. RETURN LANE	BLU-O	J-1	5
W. R/O TAR. & S.U. SPOT METHOD	GREY-O	J-1	14
SHOT AGAIN (INS&RT)	GREY-R	J-2	21
SPIN #1	B-W	J-3	14
SPIN #2	GREY-W	J-3	24
SPIN #3	W-Y	J-1	18
SPIN #4	GREY-B	J-1	27
SPIN #5	B-Y	J-3	13
SPIN #6	GREY	J-3	22
S.F.S.A.	GREY-R	J-1	26
S.U. TAR. SPECIAL	B	J-1	16
S.U. TAR "WOW"	Y-BLU	J-2	16
BOT. LT. BANK "WOW"	B-B	J-3	9
TOP LT. BANK "WOW"	BLU-W	J-2	6
TOP LT. D.T. SPECIAL	PUR	J-1	17

J1

J2

J3

T:14

grey-blk J-2 10

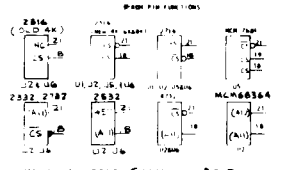
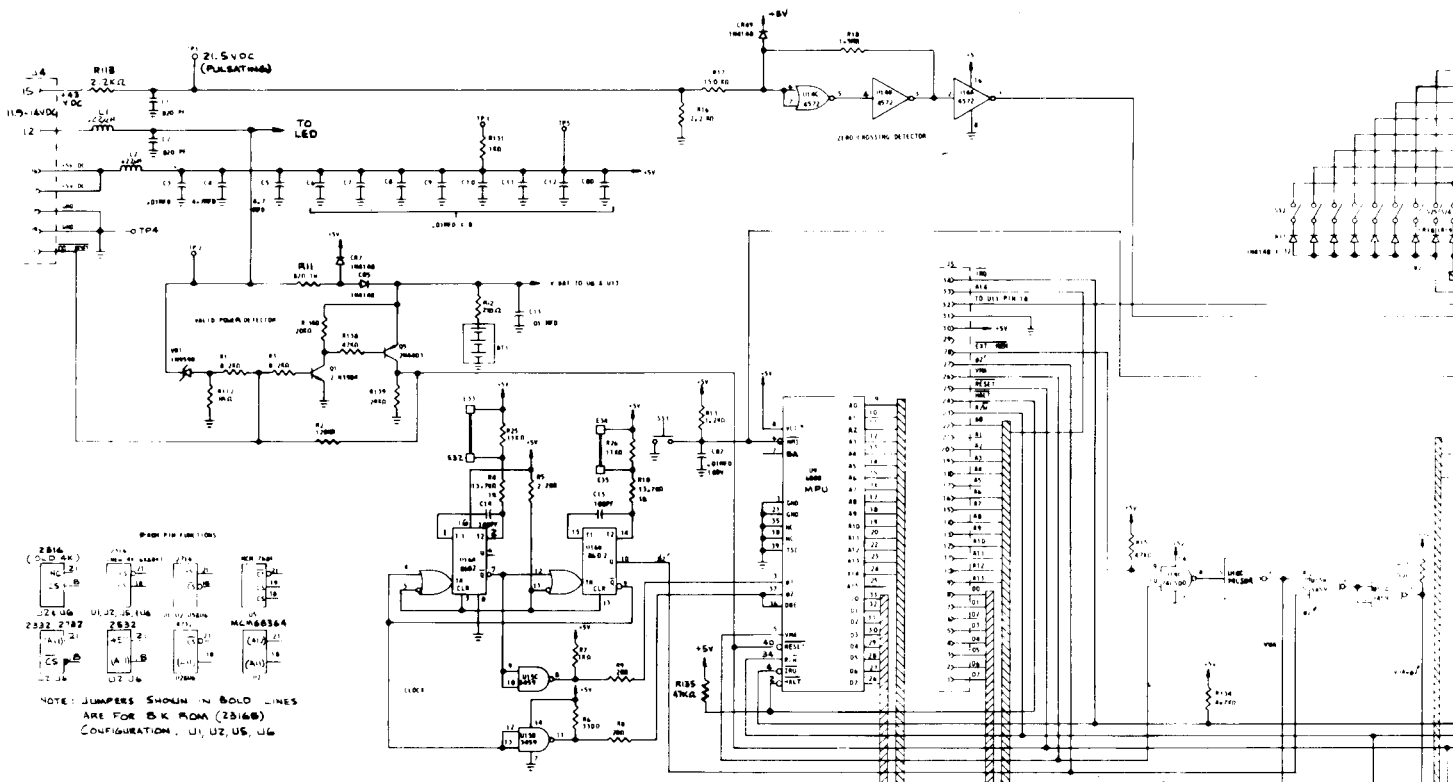
STERN ELECTRONICS INC.
 1725 DIVERSEY BLVD. CHICAGO 60614

LAMP DRIVER SCHEMATIC
 FOR METEOR

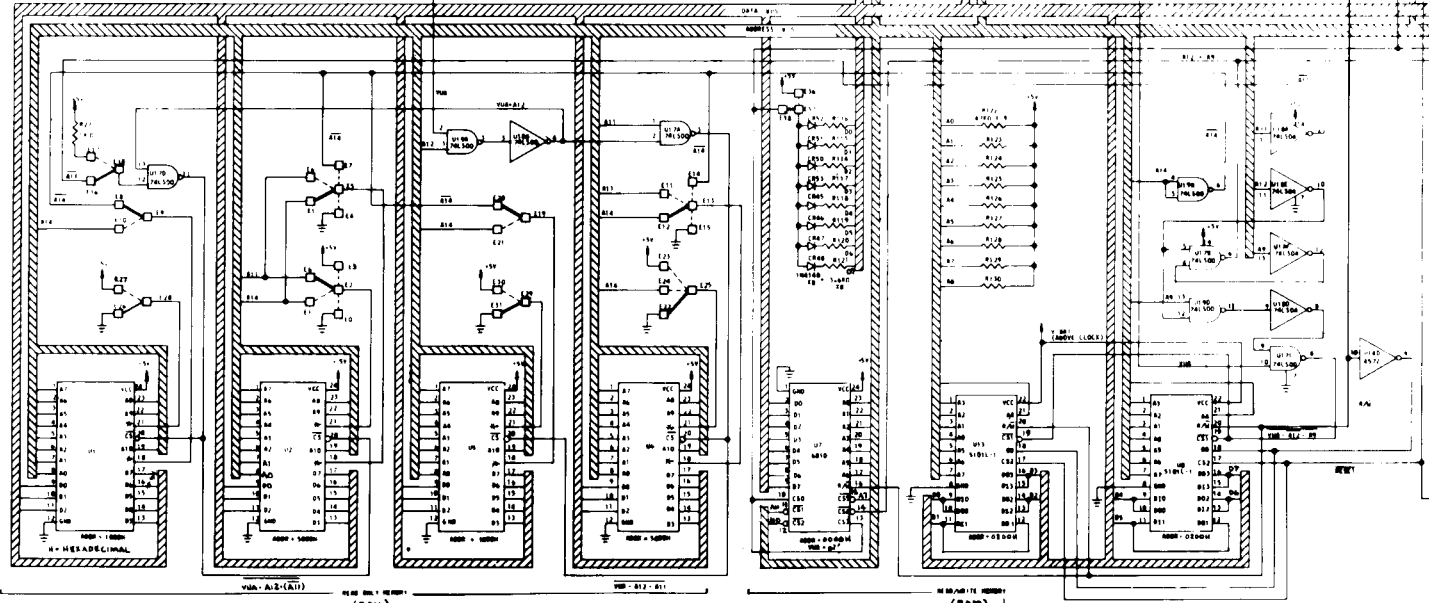
DATE: 8-21-79

SCALE: PART MUST BE FREE OF BURRS

Unless otherwise specified, all fractional dimensions carry tolerances of plus and minus .010; All decimal dimensions plus and minus .005. Exceptions: Drilled holes plus .003 minus .001. Die casting fractional plus and minus .005; Decimal plus and minus .003. Decimal dimensions on tools plus and minus .001. Angles ±30' unless otherwise specified.



NOTE: JUMPERS SHOWN IN BOLD LINES ARE FOR BK ROM (Z816) CONFIGURATION. U1, U2, U5, U6

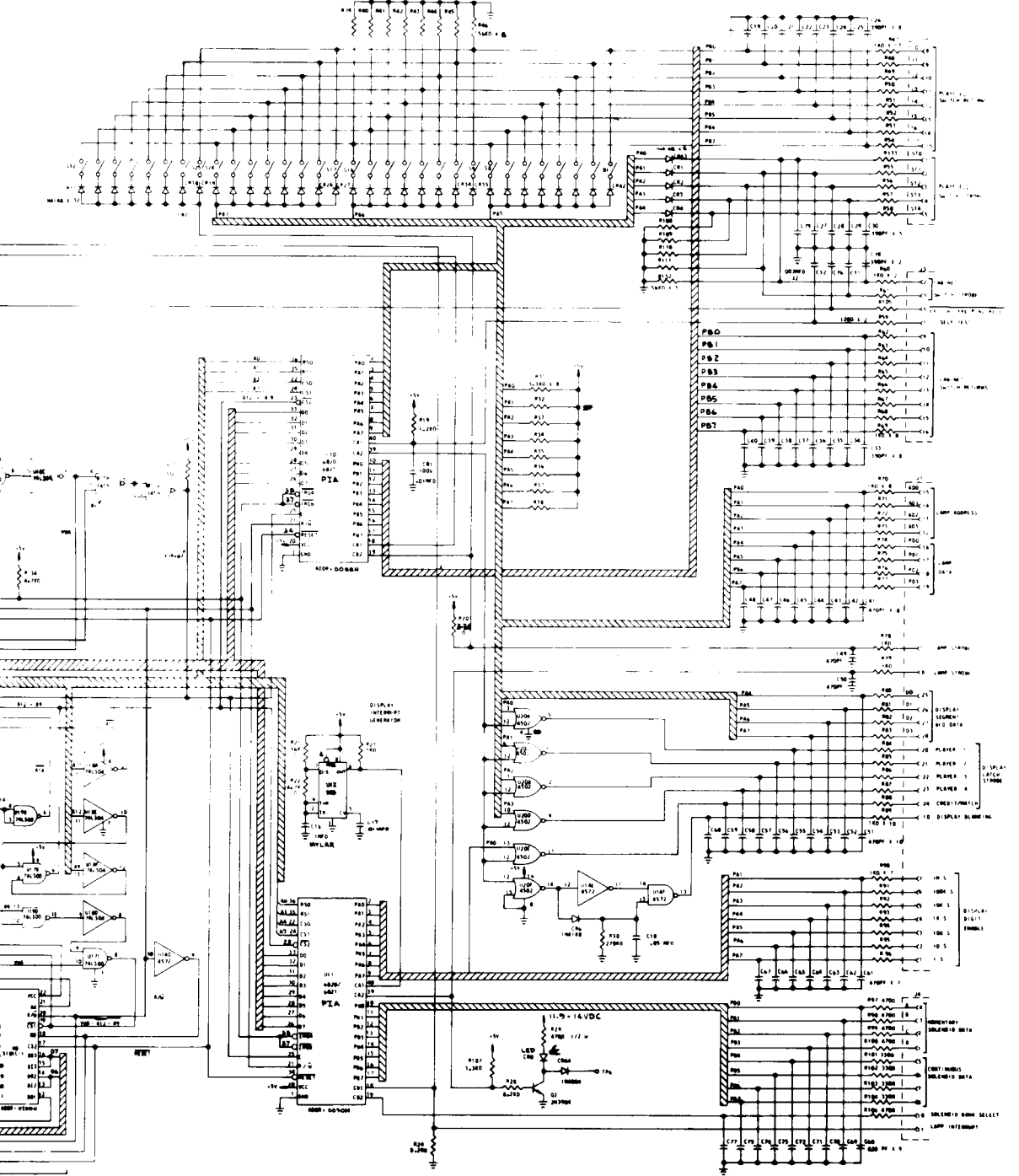


- BK E-PROM (2716 INTEL)
JUMPER COMBINATIONS
- E2 - E3
 - E5 - E7
 - E9 - E10
 - E13 - E14
 - E16 - E18
 - E19 - E21
 - E23 - E25
 - E27 - E28
 - E29 - E30
 - E32 - E33
 - E34 - E36

NO. 12B-602-S

DIETZEN NO. 198M AGEPROOF

ISSUE	CHANGE	CAT



[Handwritten notes and signatures, including a large 'E' and other illegible markings.]

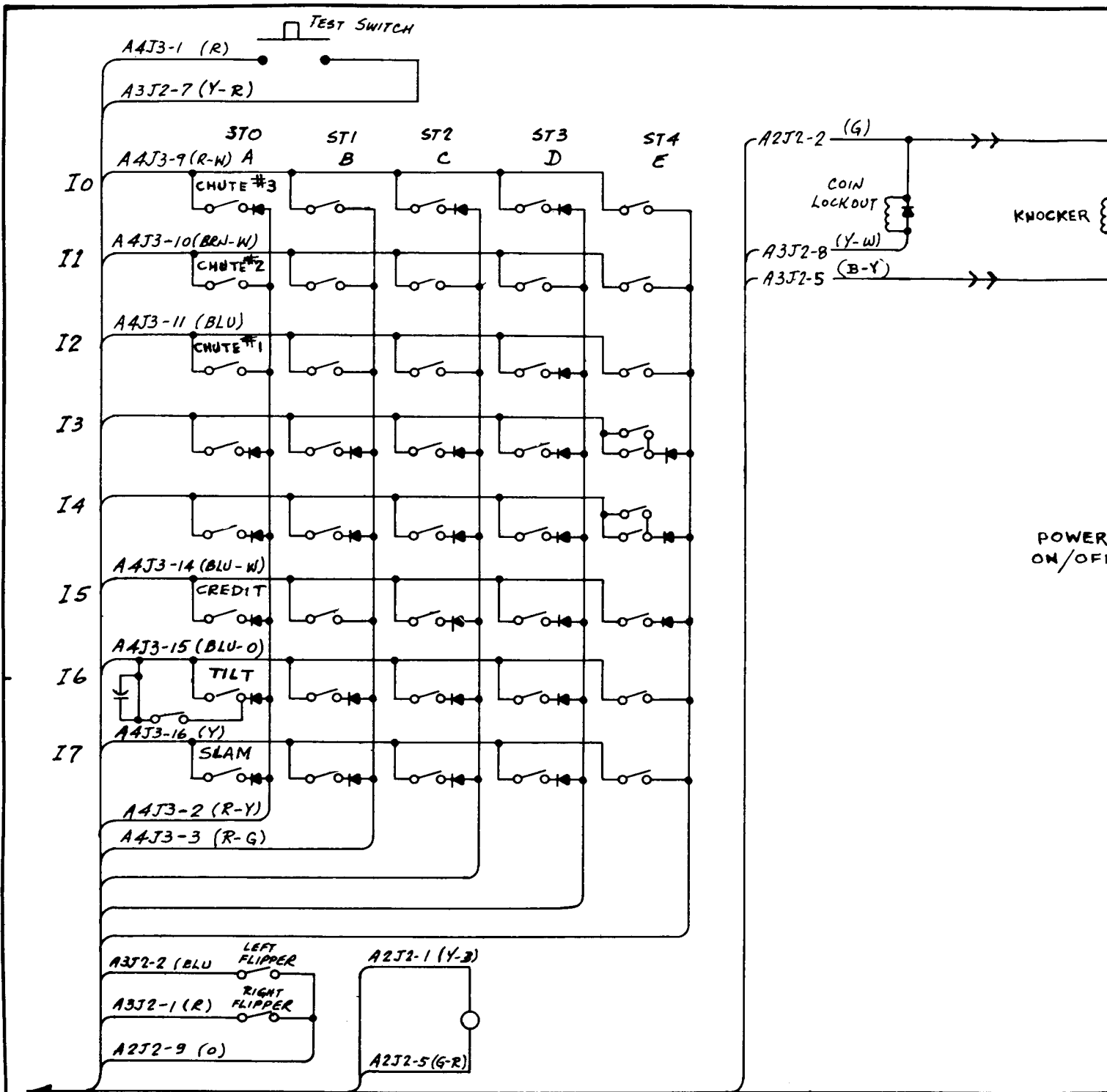
STERN ELECTRONICS INC.
 1725 DIVERSEY BLVD. CHICAGO 60614

MPU 200 SCHEMATIC

FOR **SOLID STATE**

DRN. <i>CLW</i>	DATE 8-21-79	AM'T
MAT	FIN.	APPR.

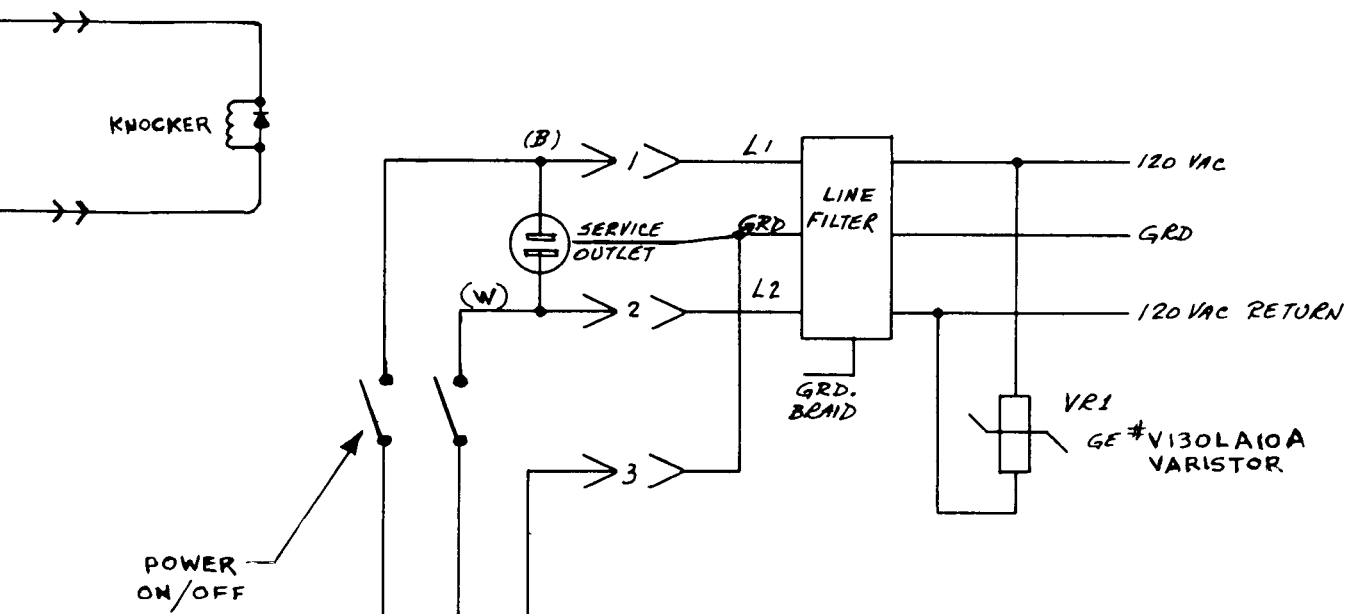
SCALE:	PART MUST BE FREE OF BURRS
Unless otherwise specified, all fractional dimensions carry tolerances of plus and minus .010: All decimal dimensions plus and minus .005. Exceptions: Drilled holes plus .003 minus .001. Die casting fractional plus and minus .005: Decimal plus and minus .003. Decimal dimensions on tools plus and minus .001. Angles ± 30° unless otherwise specified.	
GE	DATE



N/U = NOT USED
 ALL DIODES ARE IN-4004

ISSUE	CHANGE

NO.



POWER ON/OFF

A2J2-6 (Y)
 A2J2-7 (BLU-W)
 A2J2-10 (G)

FRONT DOOR JACK

JACK PIN NO.	FROM
1	AAJ3-9
2	AAJ3-10
3	AAJ3-11
4	AAJ3-12
5	AAJ3-13
6	AAJ3-14
7	AAJ3-15
8	AAJ3-16
10	AAJ3-2
15	A2J2-2
16	A3J2-8
17	A2J2-1
18	A2J2-5
19	AAJ3-1
20	A3J2-7

STERN ELECTRONICS INC.
 1725 DIVERSEY BLVD. CHICAGO 60614

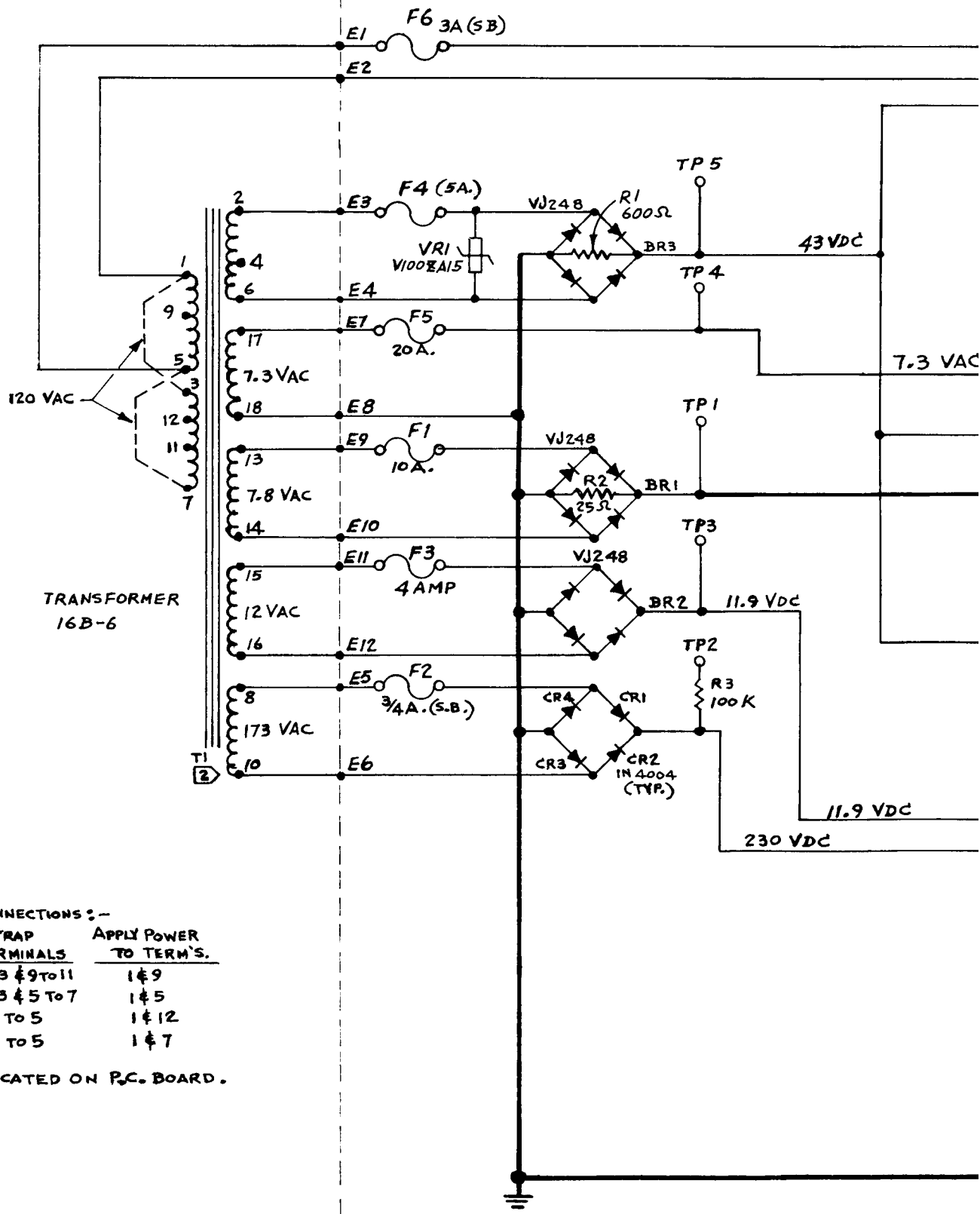
CABINET AND FRONT DOOR WIRING

FOR STANDARD

DRN. J.J.	DATE 2-6-79	AM'T
MAT	FIN.	APPR.

SCALE:	PART MUST BE FREE OF BURRS
Unless otherwise specified, all fractional dimensions carry tolerances of plus and minus .010: All decimal dimensions plus and minus .005. Exceptions: Drilled holes plus .003 minus .001. Die casting fractional plus and minus .005: Decimal plus and minus .003. Decimal dimensions on tools plus and minus .001. Angles ± 30° unless otherwise specified.	
CHANGE	DATE

TA-100
P.C. BOARD

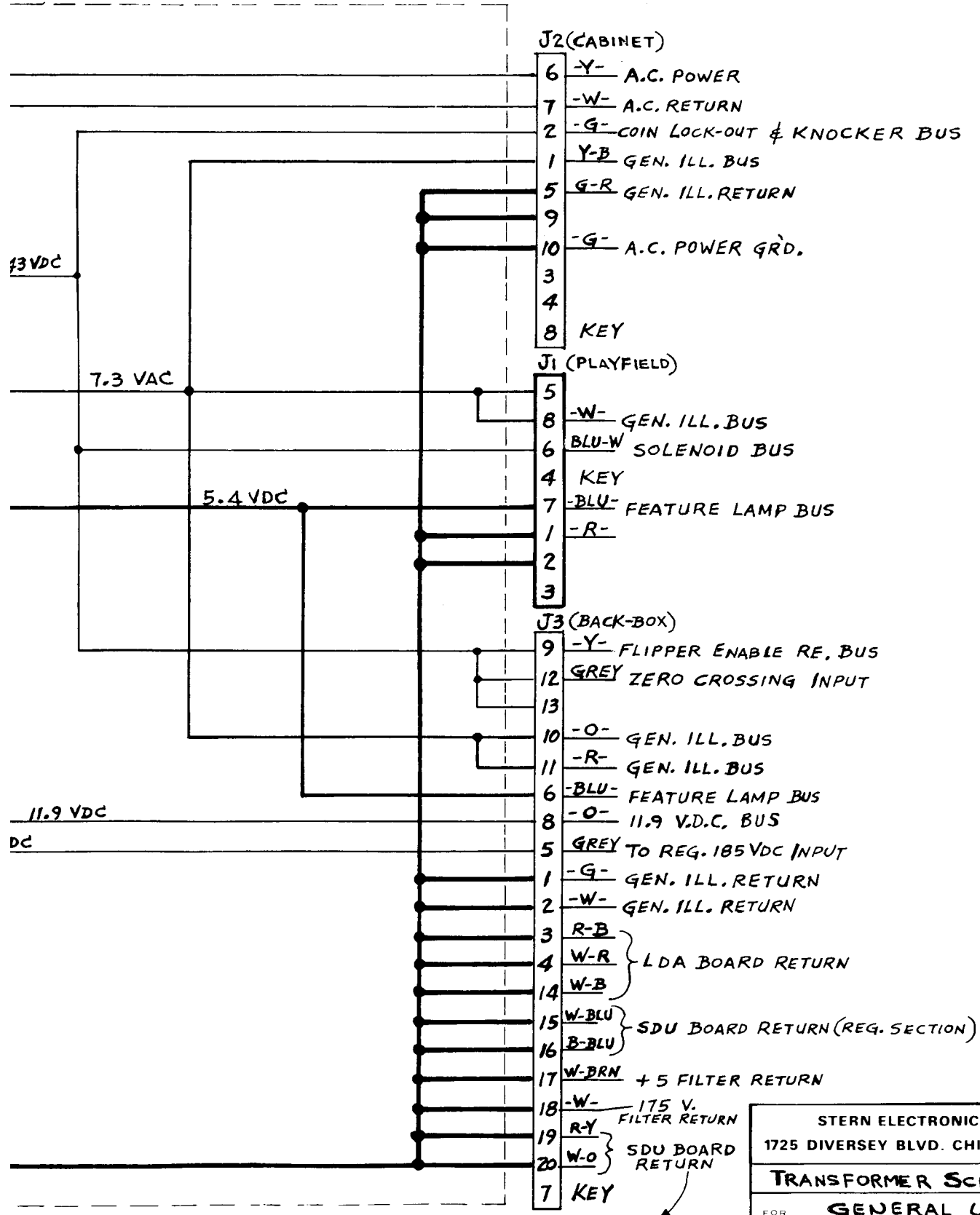


NOTES:

1. POWER LINE CONNECTIONS:-

AC LINE VOLTAGE	STRAP TERMINALS	APPLY POWER TO TERM'S.
115	1 To 3 & 9 To 11	1 & 9
120	1 To 3 & 5 To 7	1 & 5
220	3 To 5	1 & 12
240	3 To 5	1 & 7

② T1 IS NOT LOCATED ON P.C. BOARD.



J2 (CABINET)

- 6 -Y- A.C. POWER
- 7 -W- A.C. RETURN
- 2 -G- COIN LOCK-OUT & KNOCKER BUS
- 1 Y-B GEN. ILL. BUS
- 5 G-R GEN. ILL. RETURN
- 9
- 10 -G- A.C. POWER GRD.
- 3
- 4
- 8 KEY

J1 (PLAYFIELD)

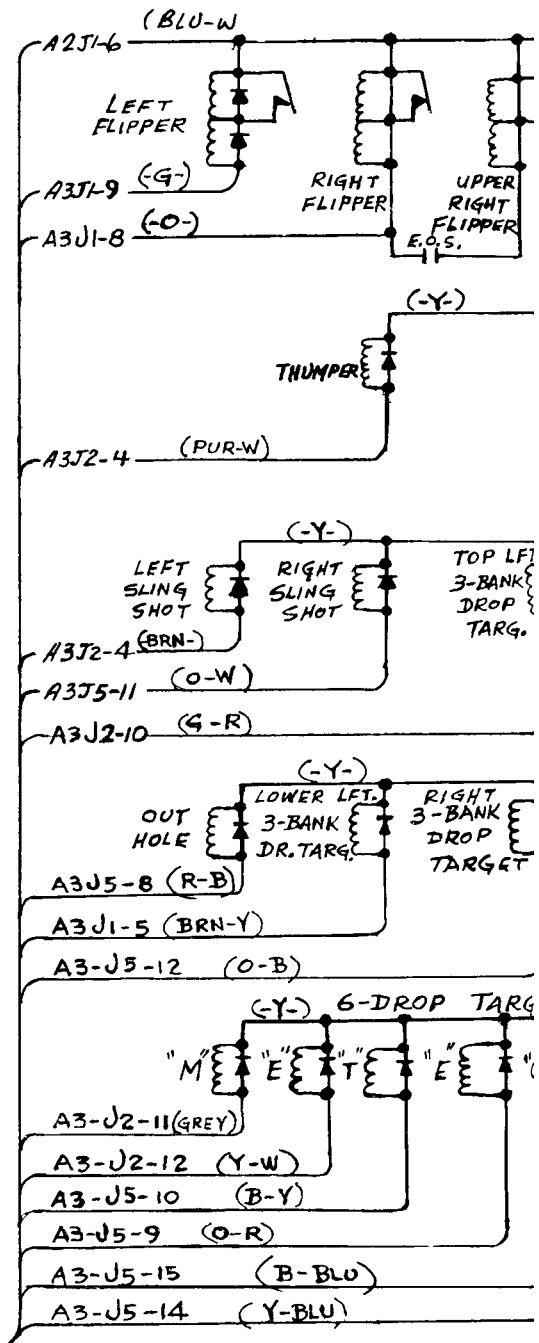
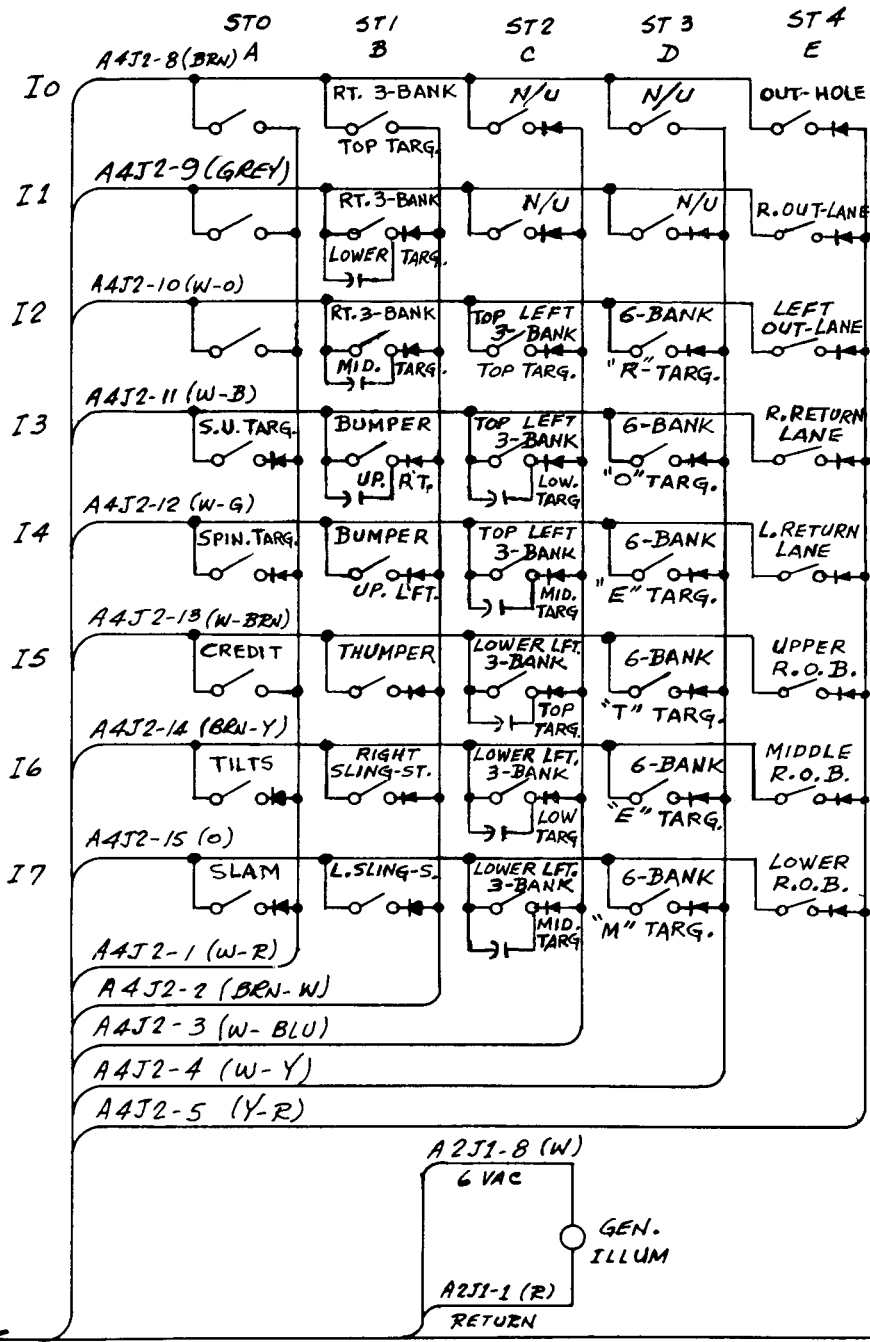
- 5
- 8 -W- GEN. ILL. BUS
- 6 BLU-W SOLENOID BUS
- 4 KEY
- 7 -BLU- FEATURE LAMP BUS
- 1 -R-
- 2
- 3

J3 (BACK-BOX)

- 9 -Y- FLIPPER ENABLE RE. BUS
- 12 GREY ZERO CROSSING INPUT
- 13
- 10 -O- GEN. ILL. BUS
- 11 -R- GEN. ILL. BUS
- 6 -BLU- FEATURE LAMP BUS
- 8 -O- 11.9 V.D.C. BUS
- 5 GREY TO REG. 185VDC INPUT
- 1 -G- GEN. ILL. RETURN
- 2 -W- GEN. ILL. RETURN
- 3 R-B
- 4 W-R } LDA BOARD RETURN
- 14 W-B }
- 15 W-BLU } SDU BOARD RETURN (REG. SECTION)
- 16 B-BLU }
- 17 W-BRN +5 FILTER RETURN
- 18 -W- 175 V. FILTER RETURN
- 19 R-Y
- 20 W-O } SDU BOARD RETURN
- 7 KEY

(SOL. DR. SECTION)

STERN ELECTRONICS INC.		
1725 DIVERSEY BLVD. CHICAGO 60614		
TRANSFORMER SCHEMATIC		
FOR GENERAL USE		
URN.	DATE 8-24-79	AM'T



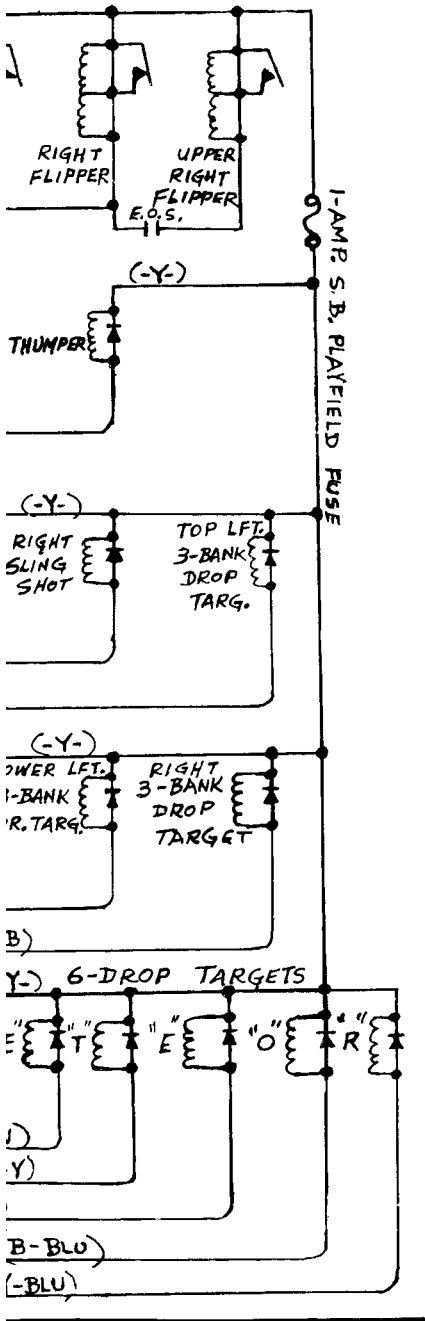
PLAYFIELD

N/U = NOT USED
 ALL DIODES ARE IN-4004.
 ROB = ROLL-OVER BUTTON.
 DT = DROP TARGET
 SU = STAND-UP TARGET

STERN ELECTRONICS
 1725 Diversey Parkway, Chicago
 (312) 935-4600, Telex 25-4657
 Toll Free Service Assistance (800)

<u>DESCRIPTION</u>	<u>WIRE COLOR</u>	<u>JACK "A"</u> <u>LDA-J1</u>	<u>PIN NO.</u>
--------------------	-------------------	----------------------------------	----------------

BOT. LT. BANK "WOW"	R-G	J-2	7
BOT. LT. D.T. SPECIAL	BRN-B	J-1	18
GAME OVER	GREY-W	J-2	11
HIGH SCORE TO DATE	GREY-O	J-2	22
LT. OUT LANE & RT. BUMPER	B-BLU	J-2	23
LT. R/O & RETURN LANE	BRN-BLU	J-1	24
MATCH	GREY-Y	J-2	1
METEOR "DROP" E	PUR-B	J-1	25
METEOR "DROP" #1E	W-O	J-3	20
METEOR "DROP" R	B-G	J-3	21
METEOR "DROP" T	B-O	J-1	11
METEOR "DROP" M	R-BLU	J-3	18
METEOR "DROP" "O"	GREY-B	J-3	10
METEOR "WOW" E	W-BLUE	J-1	13
METEOR "WOW" 2E	B-W	J-1	28
METEOR "WOW" M	Y-G	J-3	2
METEOR "WOW" O	R-W	J-3	4
METEOR "WOW" R	O-W	J-3	27
METEOR "WOW" T	BRN-R	J-1	6
#1 (L) ROCKET 1K	O-R	J-3	12
#1 (L) ROCKET 2K	R-Y	J-3	25
#1 (L) ROCKET 3K	GREY	J-1	9
#1 (L) ROCKET 4K	GREY-G	J-1	19
#1 (L) ROCKET 5K	G-R	J-3	1
#1 (L) ROCKET 6K	-B-	J-3	26
#1 (L) ROCKET 7K	BLU-R	J-1	1
1X	BLU-R	J-2	14
#2 (M) ROCKET 1K	-W-	J-3	11
#2 (M) ROCKET 2K	Y-BLUE	J-3	17
#2 (M) ROCKET 3K	R-G	J-1	3
#2 (M) ROCKET 4K	BLU-W	J-1	23
#2 (M) ROCKET 5K	W-B	J-3	15
#2 (M) Rocket 6K	B-R	J-3	19
#2 (M) ROCKET 7K	G-B	J-1	8
2X	O-B	J-3	15
#3 (R) ROCKET 1K	W-BLU	J-3	3
#3 (R) ROCKET 2K	W-GREY	J-3	23
#3 (R) ROCKET 3K	GREY-BLU	J-1	10
#3 (R) ROCKET 4K	GREY-Y	J-1	15
#3 (R) ROCKET 5K	W-R	J-3	9
#3 (R) ROCKET 6K	R-B	J-3	16
#3 (R) ROCKET 7K	PUR-W	J-1	2
4X	R-BLU	J-2	2
RT. BANK SPECIAL	Y-G	J-1	7
RT. BANK "WOW"	Y-B	J-2	20
RT. OUT-LANE & LT. BUMPER	PUR-Y	J-1	4
RT. R/O & LT. RETURN LANE	BLU-O	J-1	5
M. R/O TAR. & S.U. SPOT METEOR	GREY-O	J-1	14
SHOOT AGAIN (INSERT)	GREY-R	J-2	21
SPIN #1	B-W	J-3	14
SPIN #2	GREY-W	J-3	24
SPIN #3	W-Y	J-1	12
SPIN #4	GREY-B	J-1	27
SPIN #5	B-Y	J-3	13
SPIN #6	GREY	J-3	22
S.P.S.A.	GREY-R	J-1	26
S.U. TAR. SPECIAL	-B-	J-1	16
S.U. TAR. "WOW"	Y-BLU	J-2	16
BOT LT. BANK "WOW"	R-G	J-3	7
TOP LT. BANK "WOW"	BLU-W	J-2	6
TOP LT. D.T. SPECIAL	-PUR-	J-1	17



ELECTRONICS, INC.
 5 Diversy Parkway, Chicago, Illinois 60614
 (312) 935-4600, Telex 25-4657
 Free Service Assistance (800) 621-6424

NOTES:

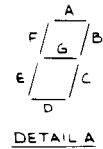
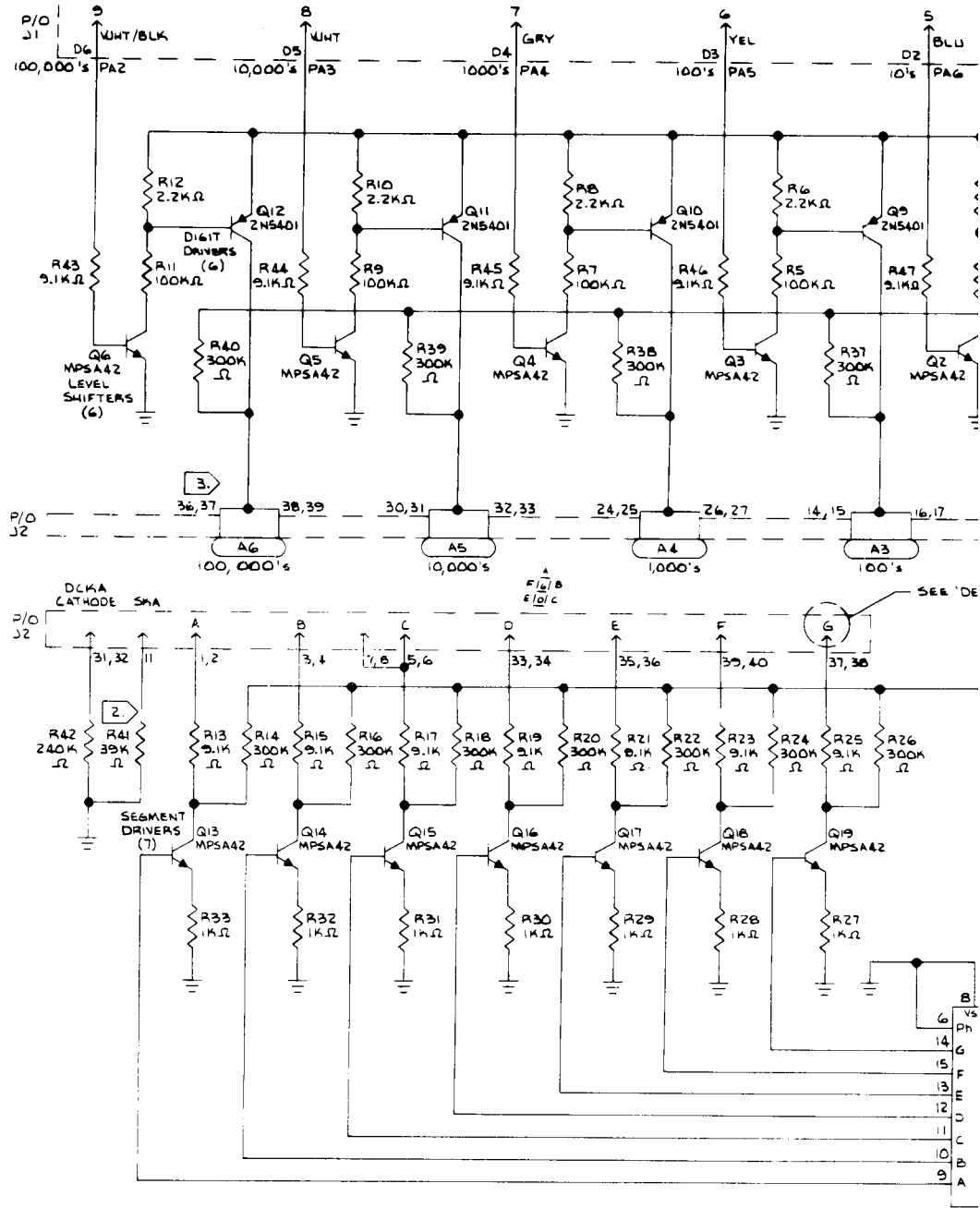
1. PIN'S WIRE COLOR

PLAYER #1 BLK/WHT
 PLAYER #2 ORG/BLU
 PLAYER #3 RED/YEL
 PLAYER #4 BEN/ORG
 MATCH/BALL RED/BLK

2. OMIT FOR BECKMAN DISPLAYS

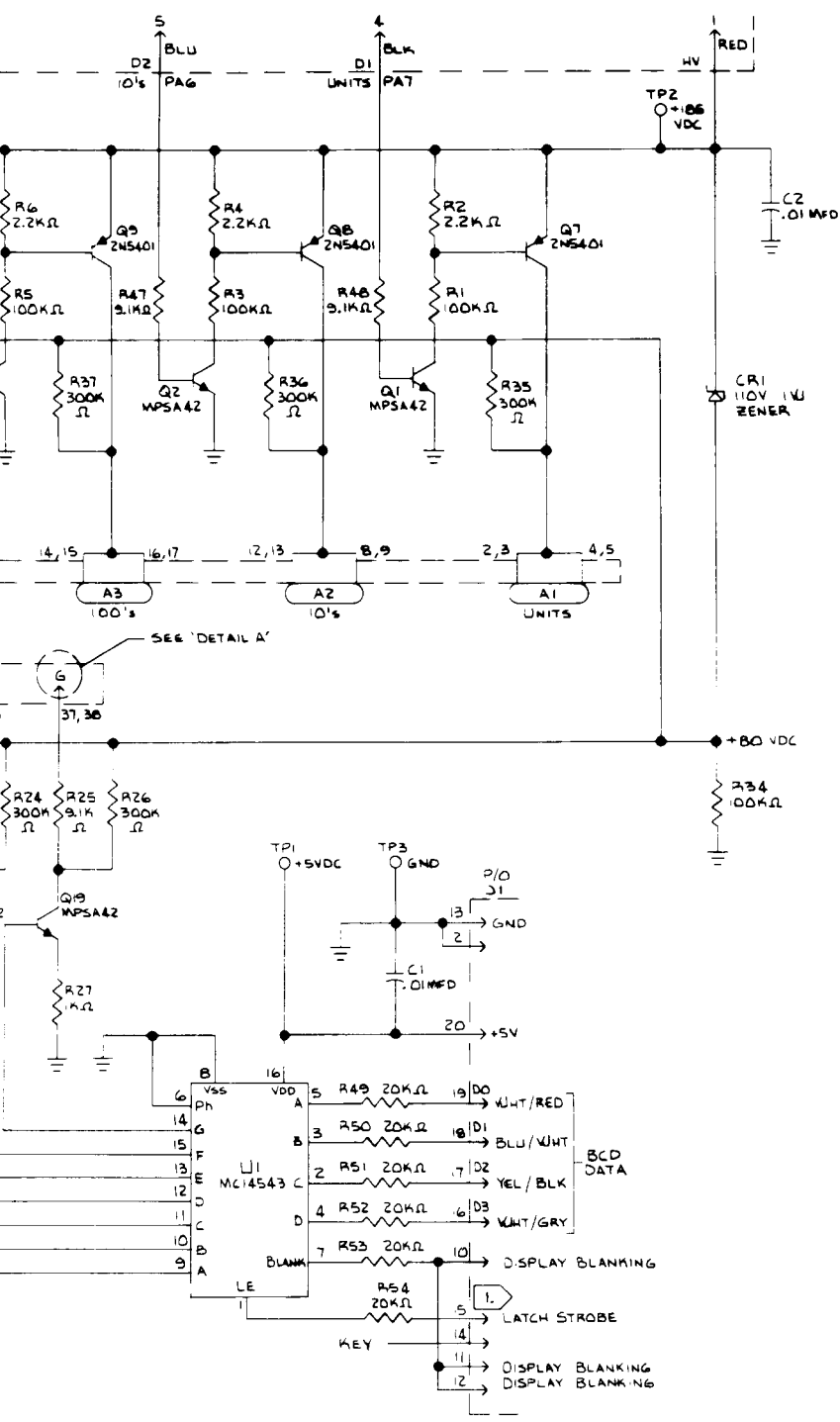
BECKMAN DISPLAY TERMINAL #
 PANTEK DISPLAY TERMINAL

3. 36,37 DENOTES



ISSUE	CHANGE

NO. 12B-434-S1



STERN ELECTRONICS INC.
1725 DIVERSEY BLVD. CHICAGO 60614

SCHEMATIC, DISPLAY - P.C. BOARD

FOR **GEN. USE**

DRN. EW	DATE 5-25-77	AM'T 4
MAT ---	FIN. ---	APPR. ---

SCALE:	PART MUST BE FREE OF BURRS
<p>Unless otherwise specified, all fractional dimensions carry tolerances of plus and minus .010; All decimal dimensions plus and minus .005. Exceptions: Drilled holes plus .003 minus .001. Die casting fractional plus and minus .005; Decimal plus and minus .003. Decimal dimensions on tools plus and minus .001. Angles ± 30° unless otherwise specified.</p>	
GE	DATE