

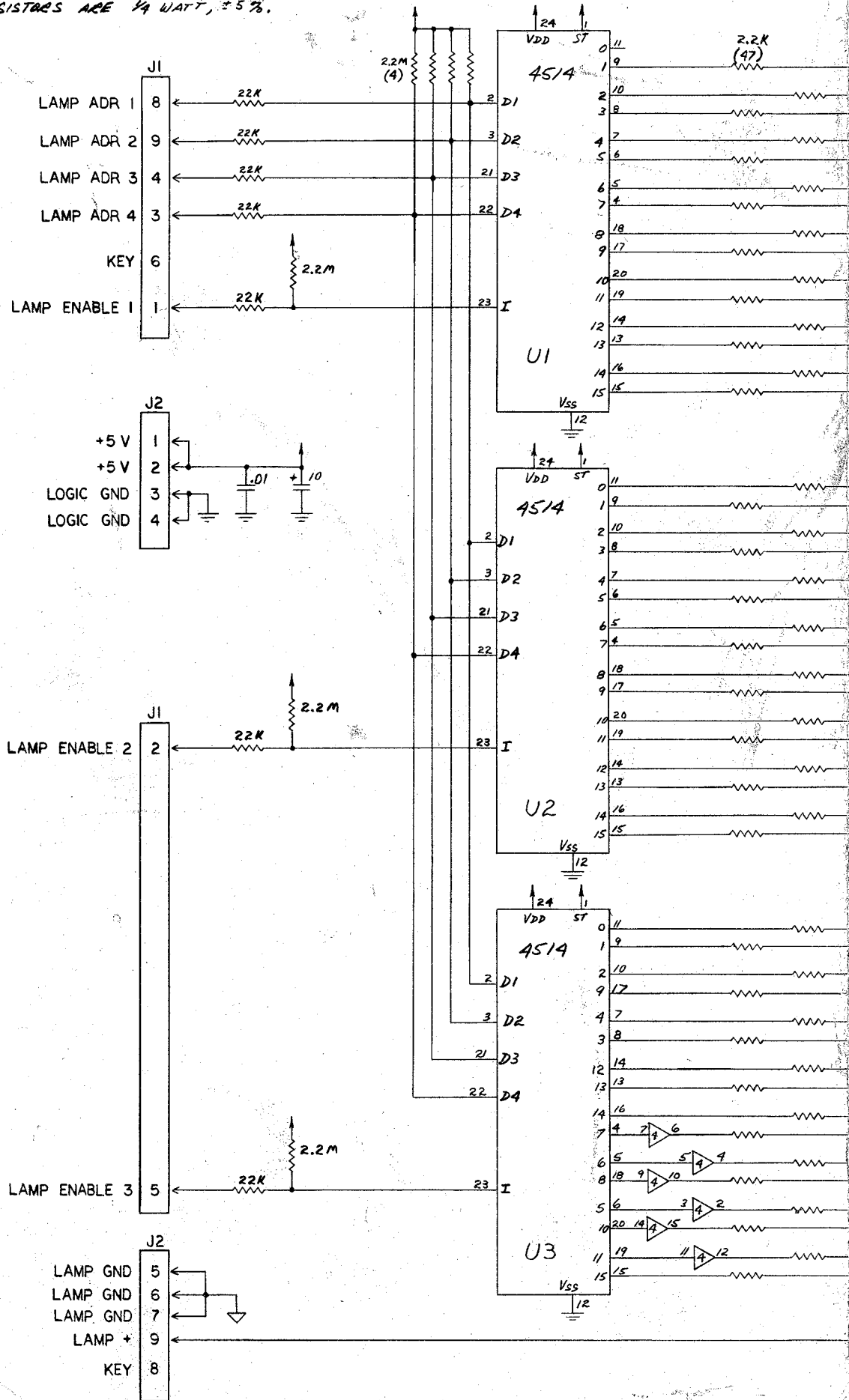
- KEYS**
- J1-6
 - J2-4
 - J4-3
 - J5-4
 - J6-2
 - J7-3
 - J8-8,9

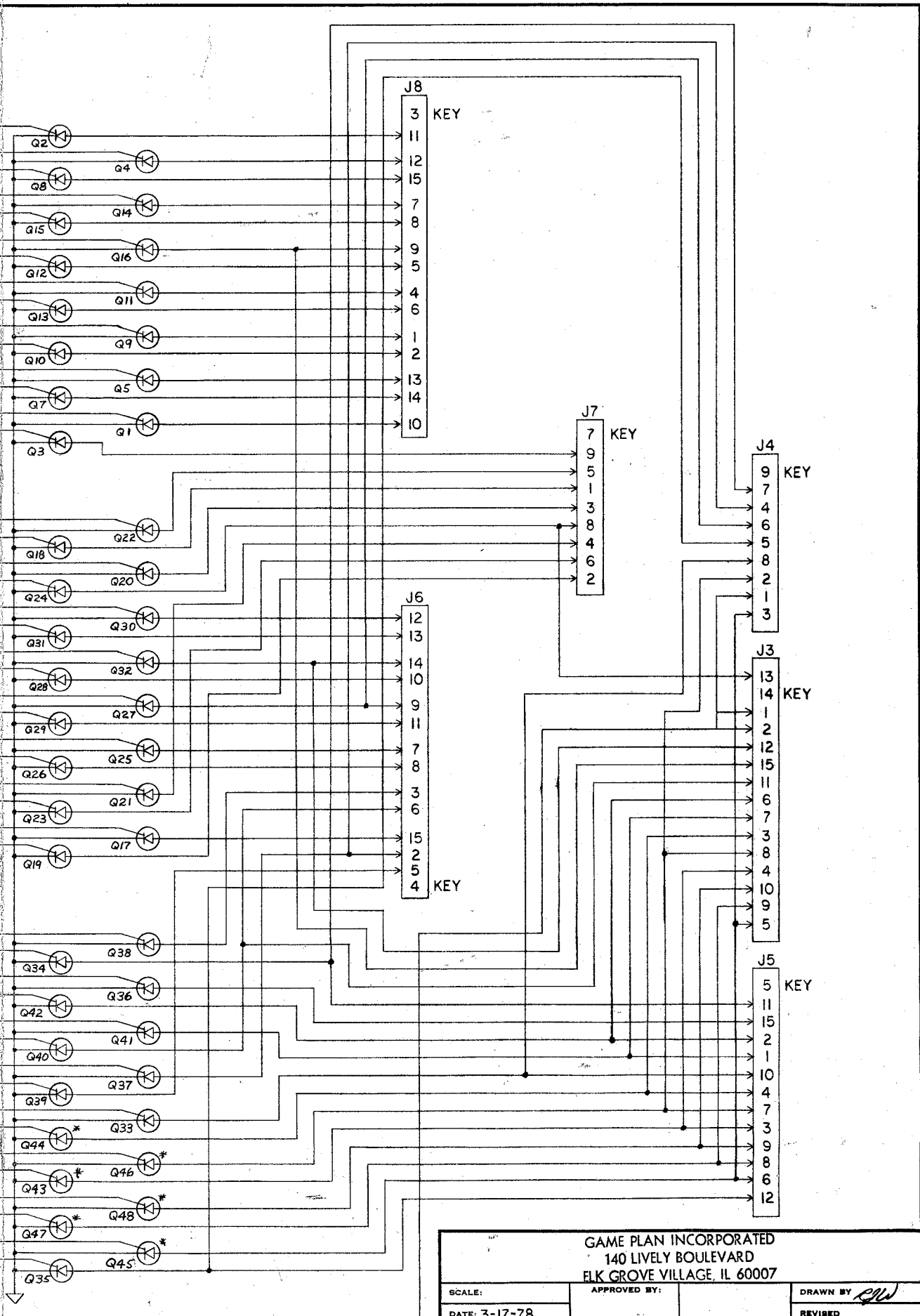
CUT # STRAP 3		CUT # STRAP 2		CUT # STRAP 1		AS SHOWN	
B2716	U12 0000-07FF	2332	U12 0000-0FFF	2716	U12 0000-07FF	2316E	U12 0000-07FF
B2716	U13 0800-0FFF	2332	U13 1000-1FFF	2716	U13 0800-0FFF	2316E	U13 0800-0FFF
						RAM	8C00-8CFF
						6810	8D00-8DFF
						8255	A 04
							B 05
							C 06
						CONT.	07
						CTC CH.1	08
						CH.2	09
						CH.3	0A
						CH.4	0B

GAME PLAN INCORPORATED
140 LIVELY BOULEVARD
ELK GROVE VILLAGE, IL 60007

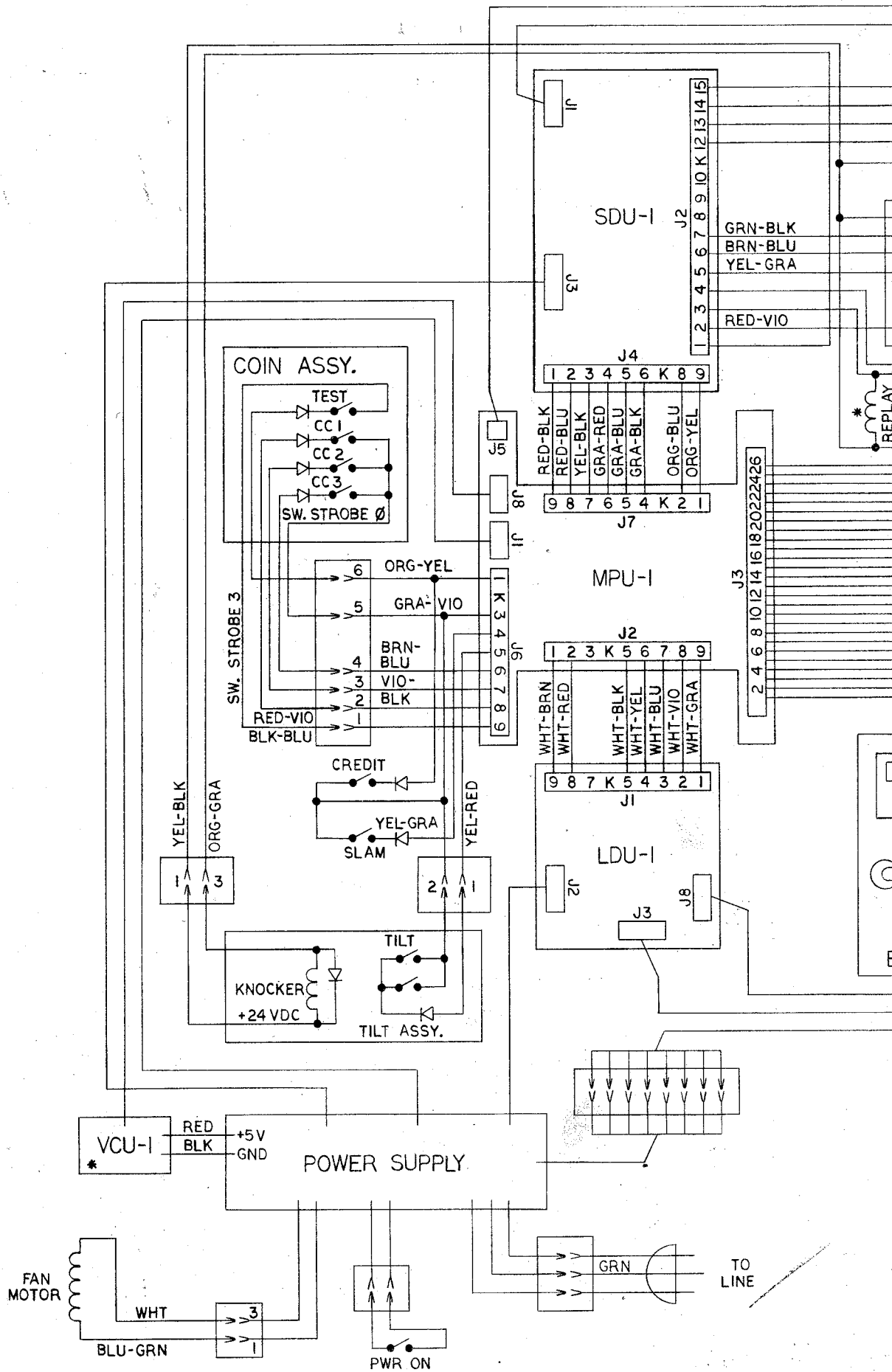
SCALE:	APPROVED BY:	DRAWN BY: <i>RL</i>
DATE: 10/14/77		REVISED:
MPU-1 SCHEMATIC		DRAWING NUMBER: 02-70003D

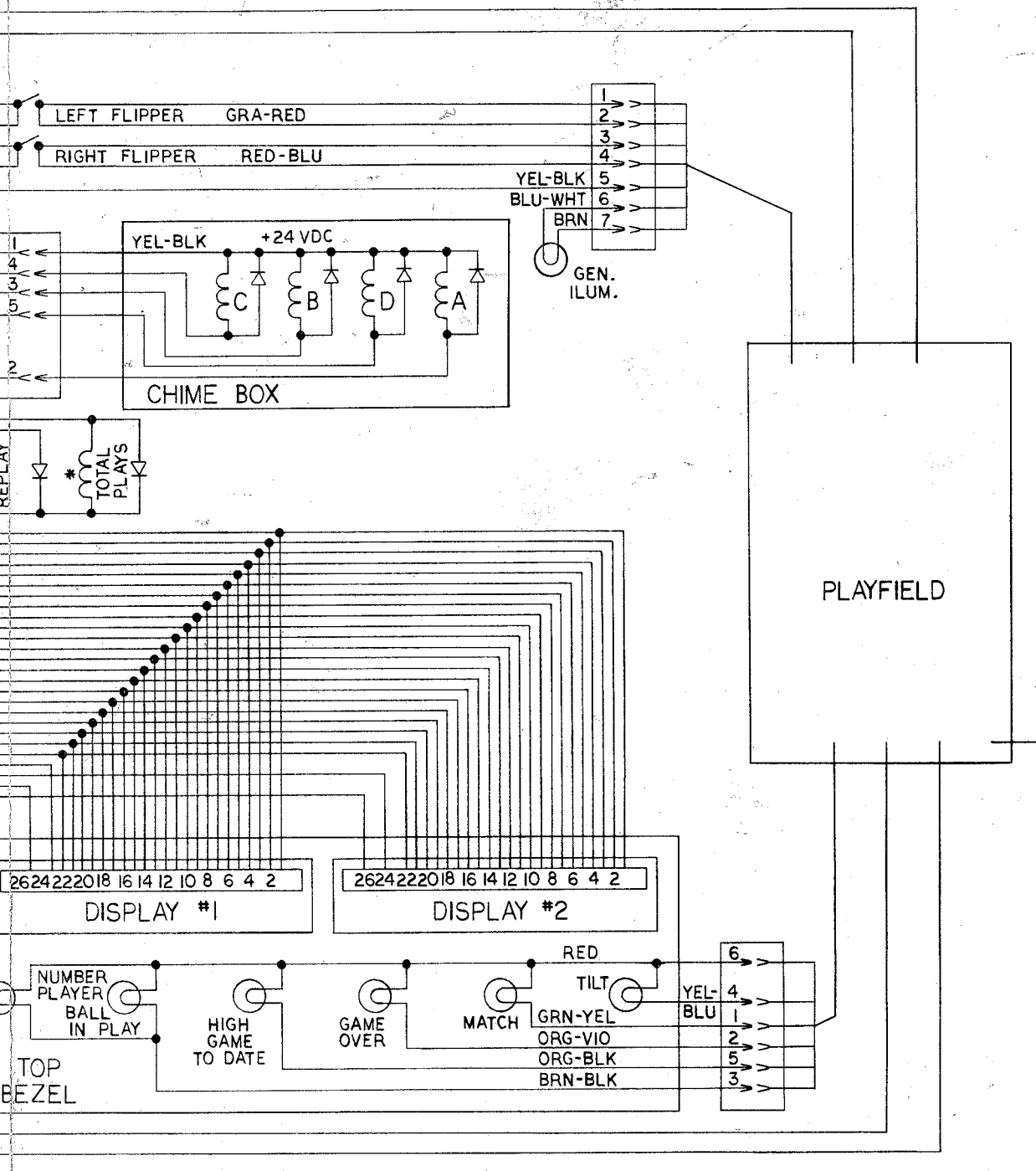
1. * SCR IS A MCR106-1. ALL OTHERS ARE 2NS060.
2. BUFFER IS 1/6 OF A 4050.
3. ALL RESISTORS ARE 1/4 WATT, ±5%.





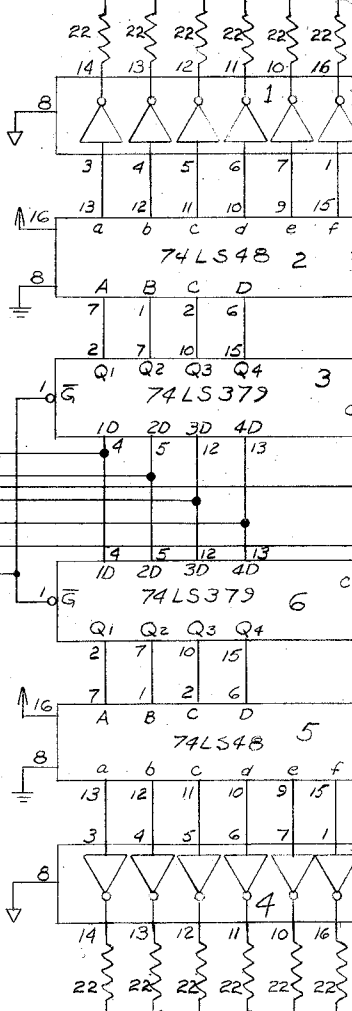
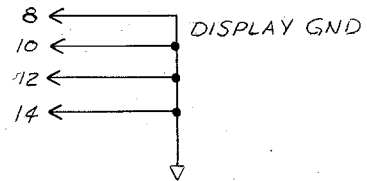
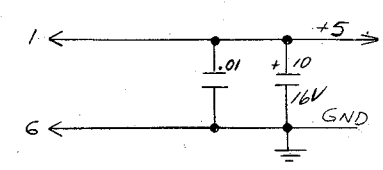
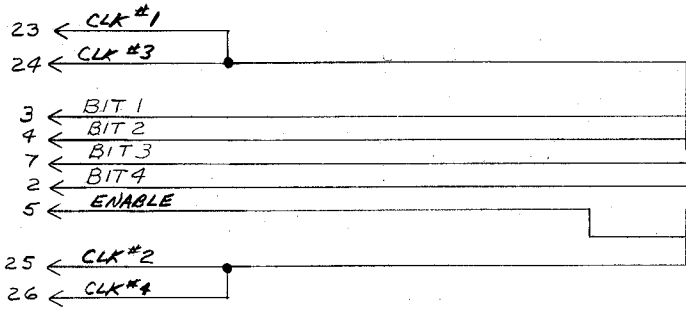
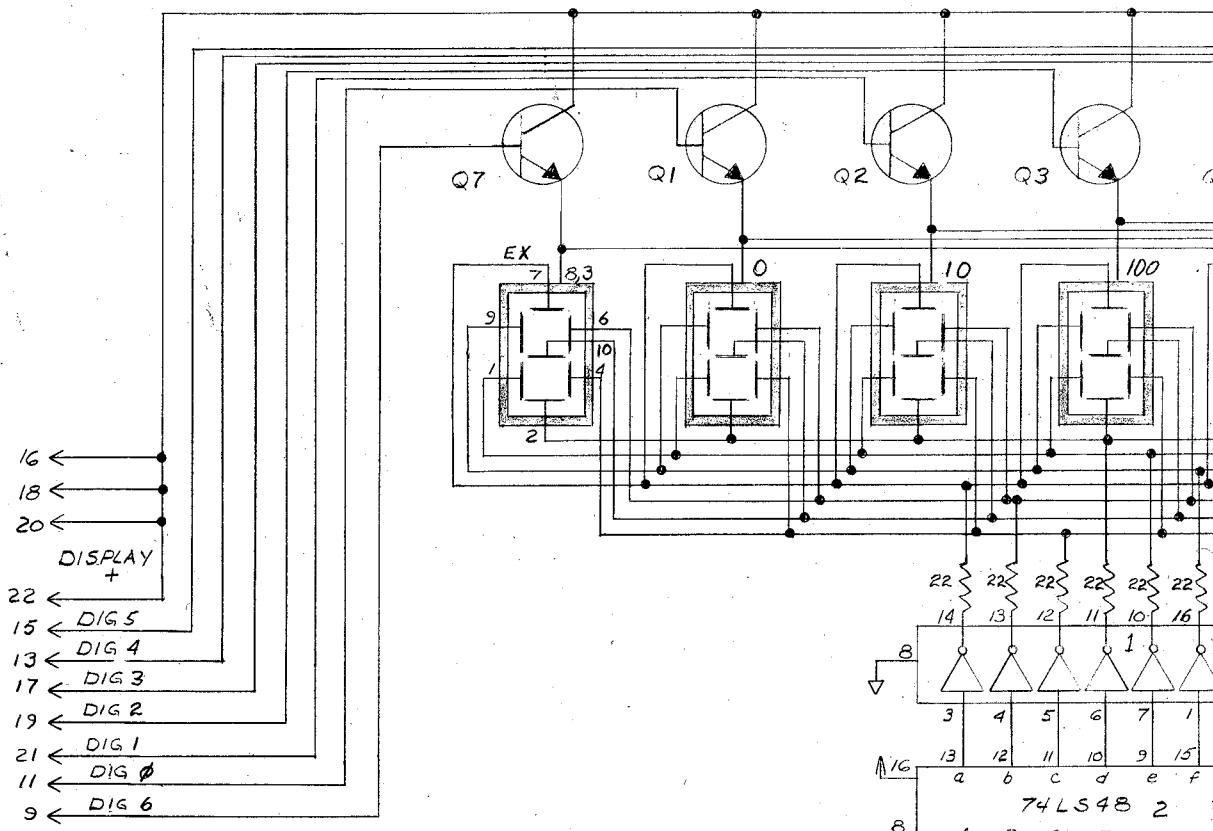
GAME PLAN INCORPORATED 140 LIVELY BOULEVARD ELK GROVE VILLAGE, IL 60007			
SCALE:	APPROVED BY:	DRAWN BY <i>ELW</i>	
DATE: 3-17-78		REVISED	
LDU-1 LAMP DRIVER UNIT			DRAWING NUMBER 02-7000IC

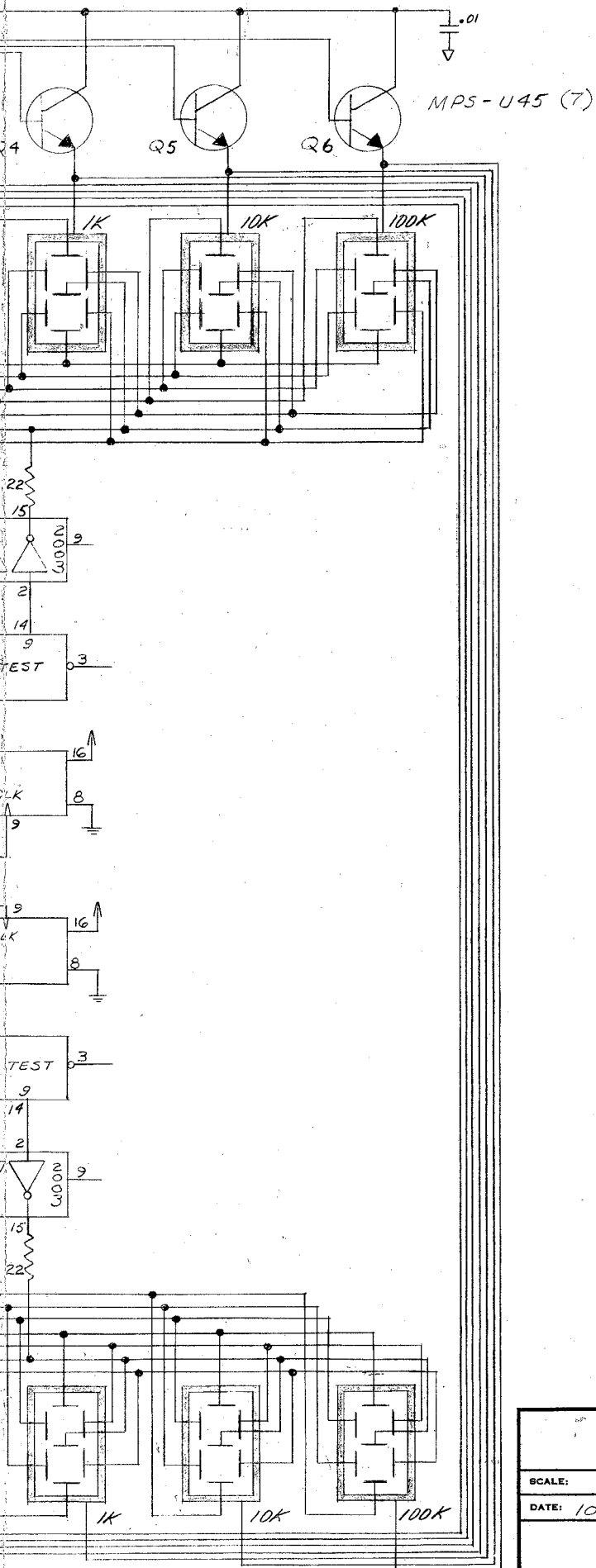




1. ALL DIODES ARE IN4004.
2. * = OPTIONAL PARTS.

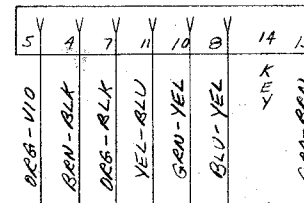
GAME PLAN INCORPORATED 140 LIVELY BOULEVARD ELK GROVE VILLAGE, IL 60007			
SCALE:	APPROVED BY:	DRAWN BY <i>AW</i>	
DATE: 6-12-78		REVISED	
MODEL 110 CABINET WIRING		DRAWING NUMBER 02-70007C	



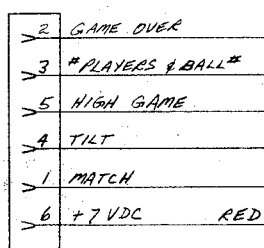


GAME PLAN INCORPORATED 140 LIVELY BOULEVARD ELK GROVE VILLAGE, IL 60007		
SCALE:	APPROVED BY:	DRAWN BY <i>RS</i>
DATE: 10-19-77		REVISED
DDU-I DISPLAY SCHEMATIC		DRAWING NUMBER 02-70002C

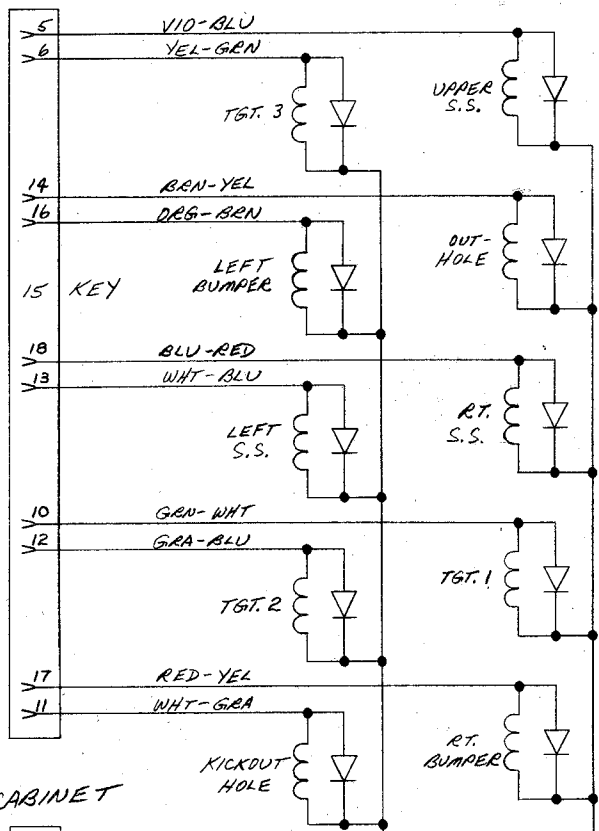
TO J3 ON



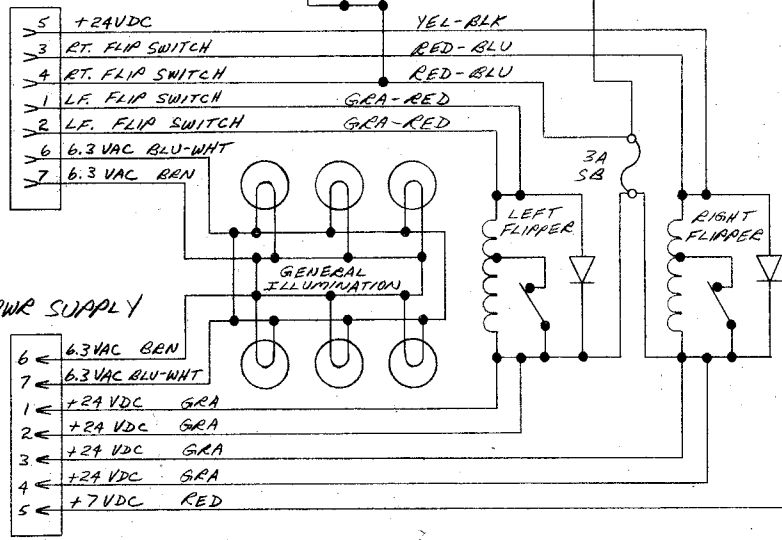
TO TOP REZEL



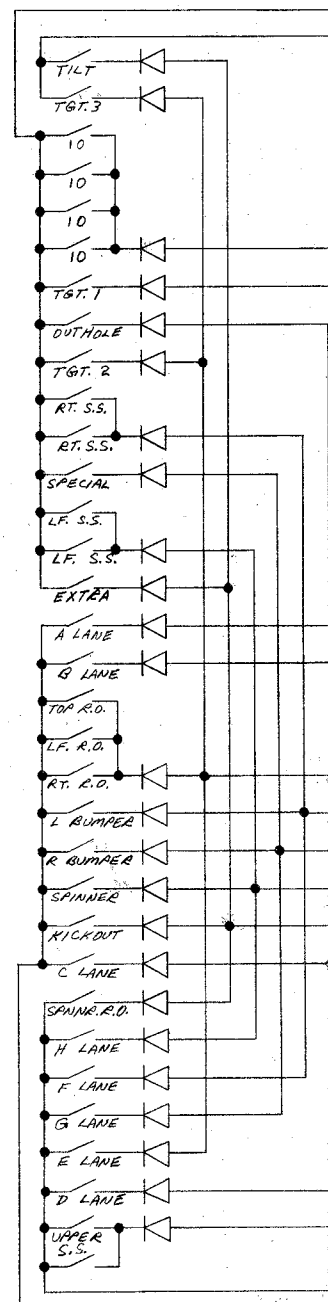
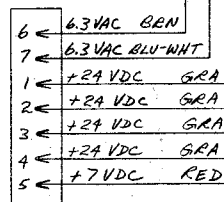
TO J1 ON SDU-1



TO CABINET

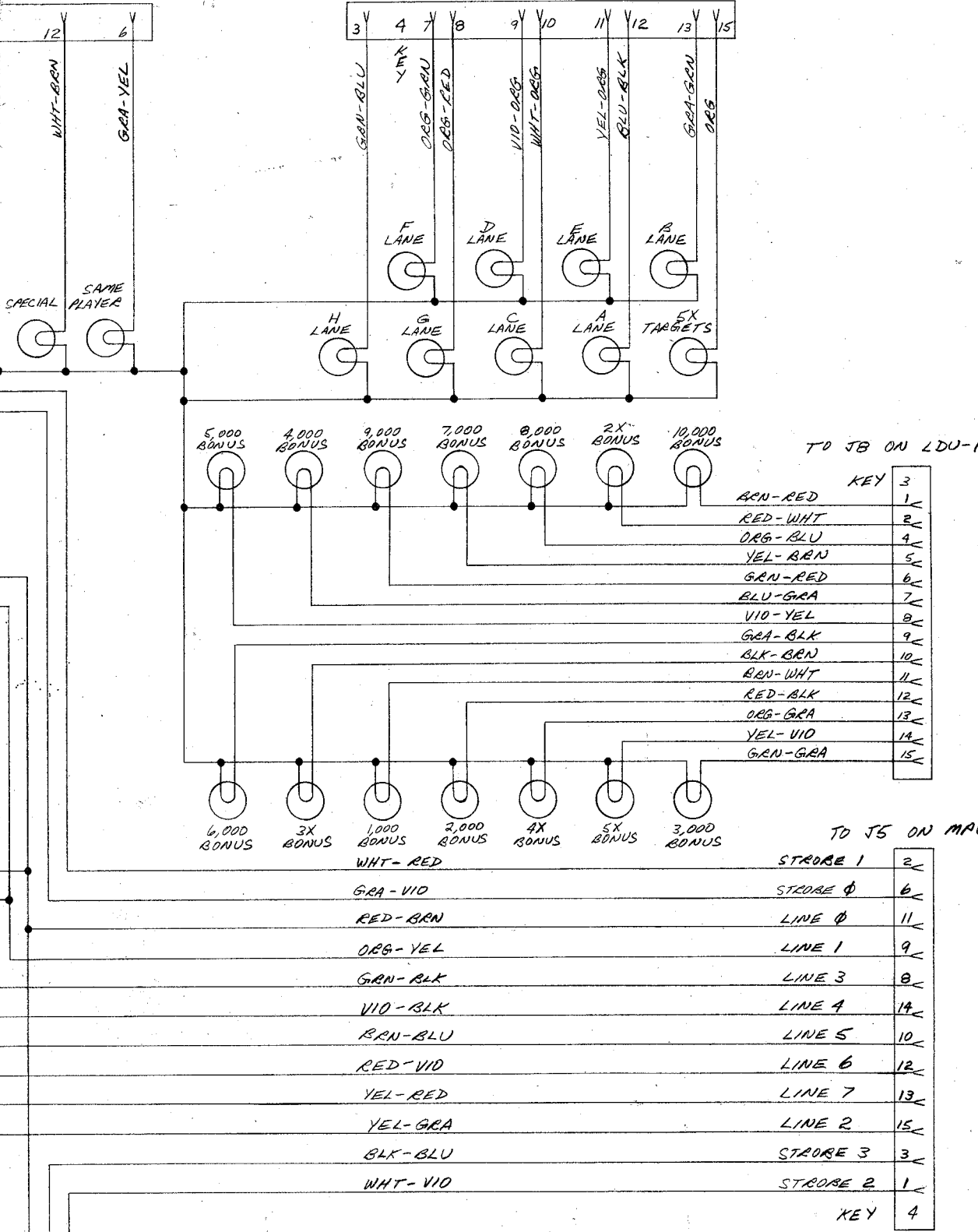


TO PWR SUPPLY



LDU-1

TO J6 ON LDU-1

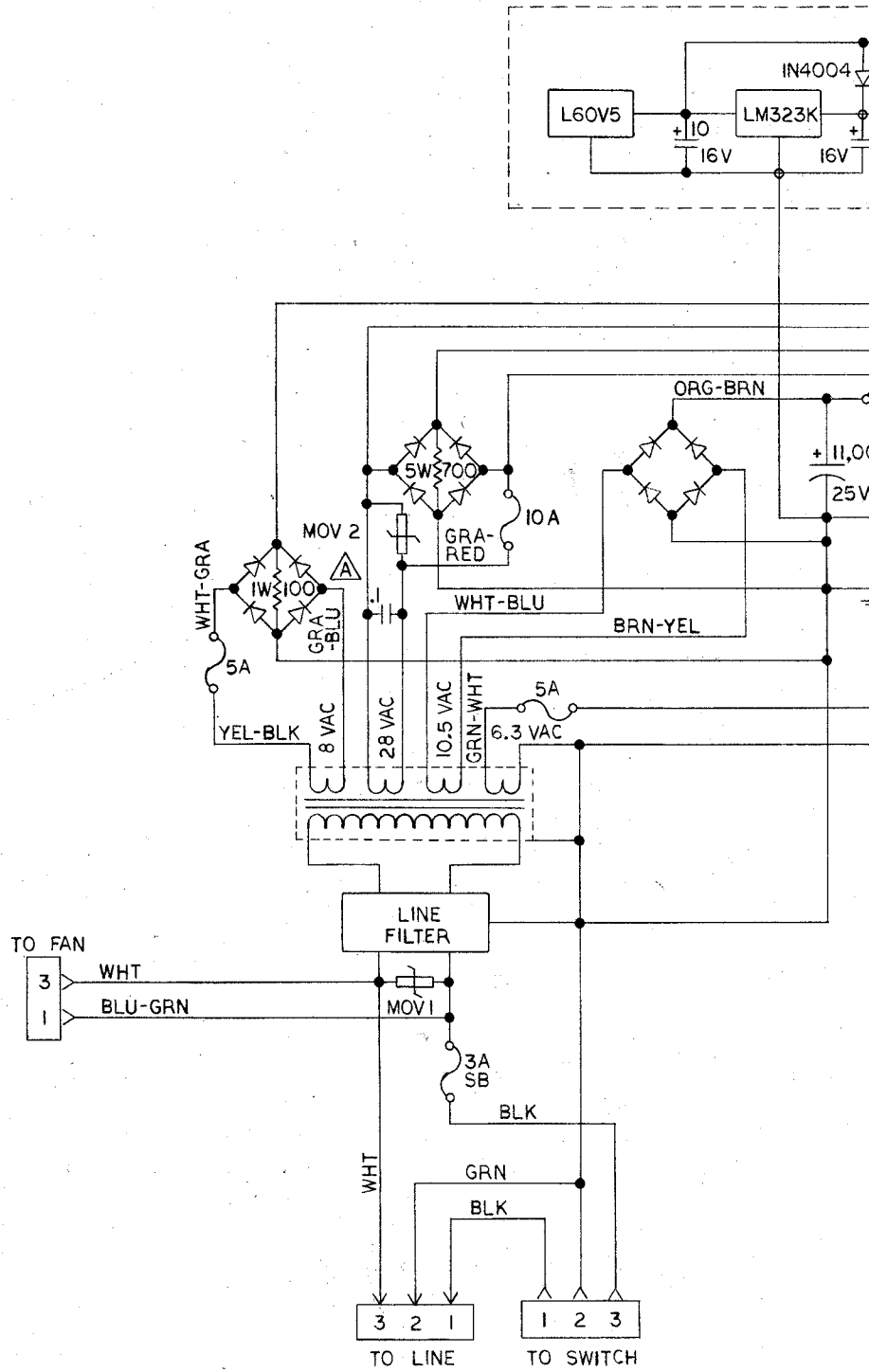


TO J8 ON LDU-1

TO J5 ON MAU

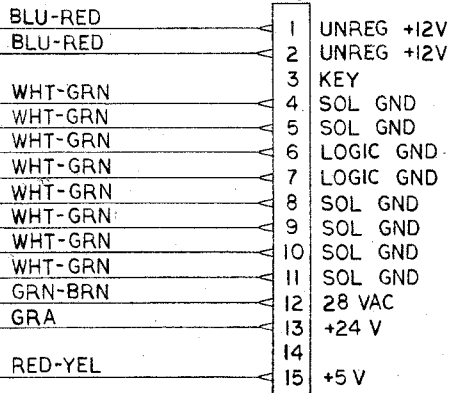
GAME PLAN INCORPORATED 140 LIVELY BOULEVARD ELK GROVE VILLAGE, IL 60007.			
SCALE:	APPROVED BY:	DRAWN BY <i>flw</i>	
DATE: 11-9-78		REVISED	
MODEL 120 PLAYFIELD		DRAWING NUMBER 02-70010C	

1. RECTIFIER BRIDGES ARE 25 AMP AND 200 VOLT PIV.
2. MOV1 IS A V130LA10A FOR 120 VAC LINE AND A V250LA20A FOR 240 VAC LINE.
3. MOV2 IS A V82ZA12.



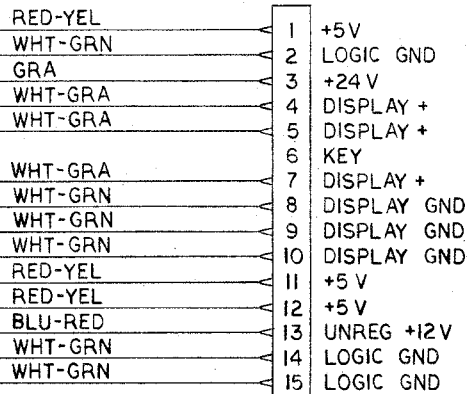
TO SOLENOID DRIVER UNIT

J3



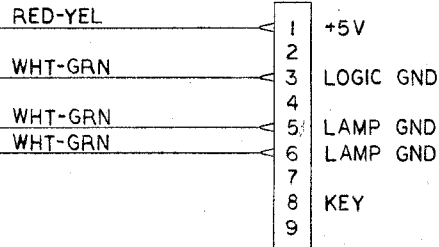
TO MICROPROCESSOR UNIT

J1



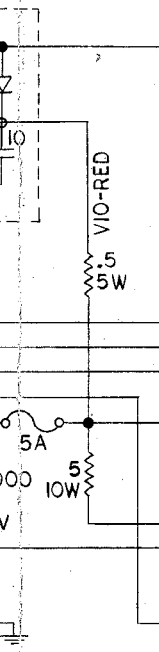
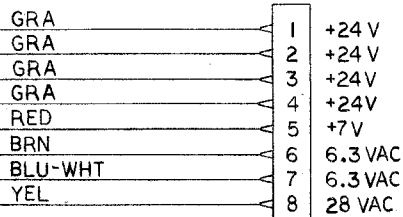
TO LAMP DRIVER UNIT

J2



TO PLAYFIELD

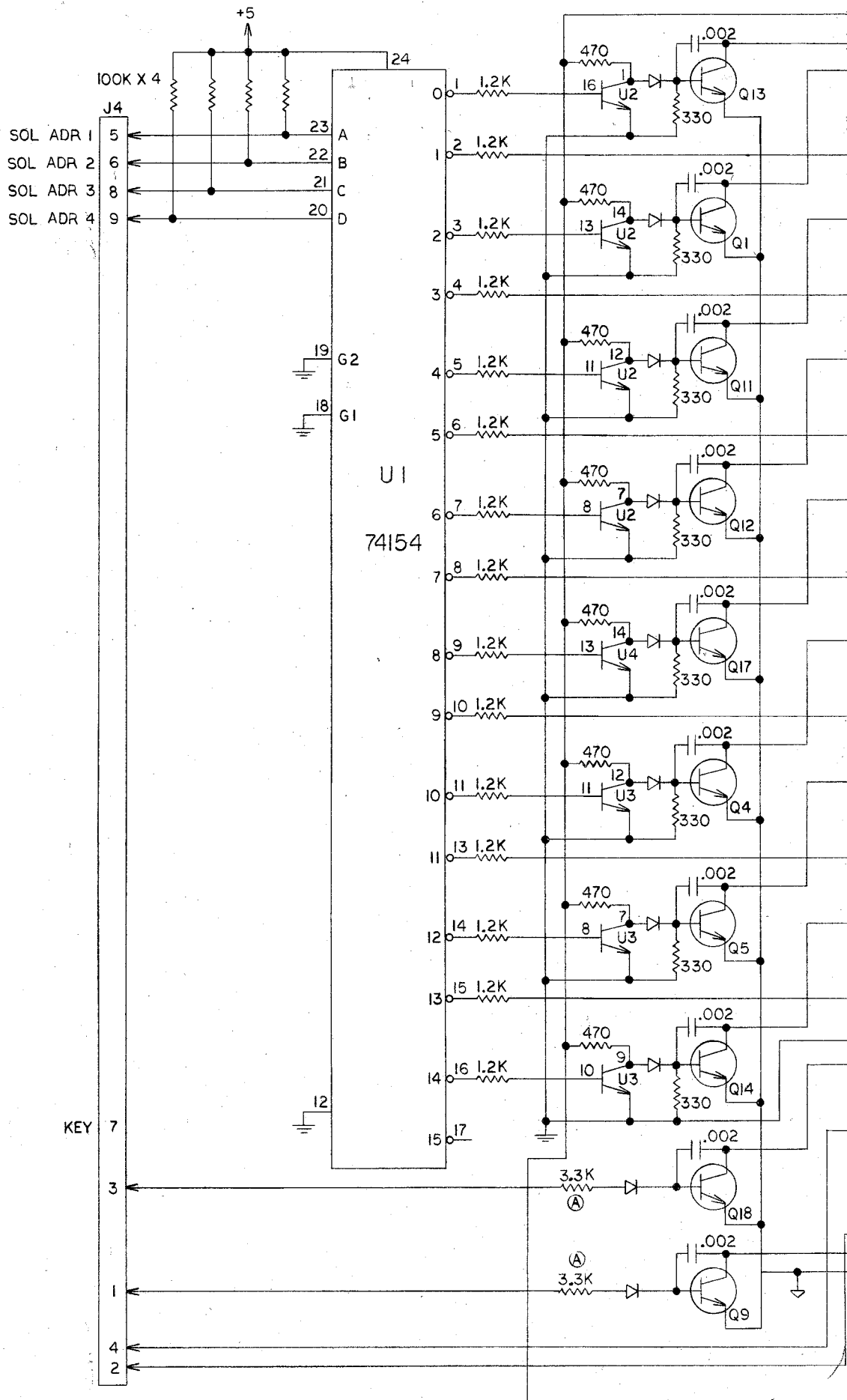
J4



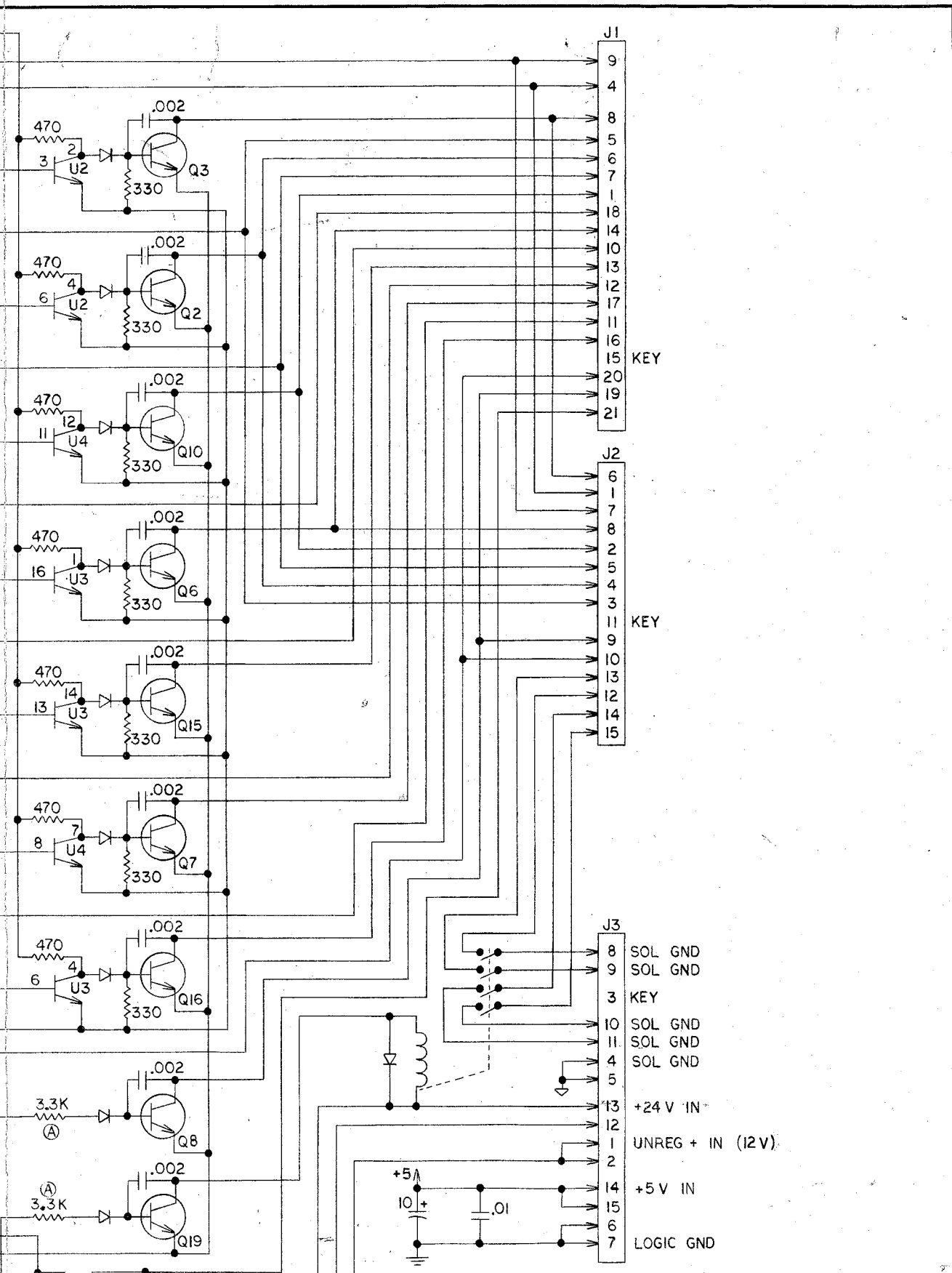
REVISION	DATE	CHANGE	BY
A	10-27-78	WHS / MFD	RW

GAME PLAN INCORPORATED
140 LIVELY BOULEVARD
ELK GROVE VILLAGE, IL 60007

SCALE:	APPROVED BY:	DRAWN BY: <i>RW</i>
DATE: 5-24-78		REVISED:
POWER SUPPLY SCHEMATIC		DRAWING NUMBER 02-70005C



1. ALL DIODES ARE IN4004.
2. POWER TRANSISTORS ARE RCA 121, SE9301, 2N6388, OR EQUIV.
3. U2, U3, AND U4 ARE ULN2081 OR CA3081. PINS 5 AND 15 GND.



J1

- 9
- 4
- 8
- 5
- 6
- 7
- 1
- 18
- 14
- 10
- 13
- 12
- 17
- 11
- 16
- 15
- 20
- 19
- 21

KEY

J2

- 6
- 1
- 7
- 8
- 2
- 5
- 4
- 3
- 11
- 9
- 10
- 13
- 12
- 14
- 15

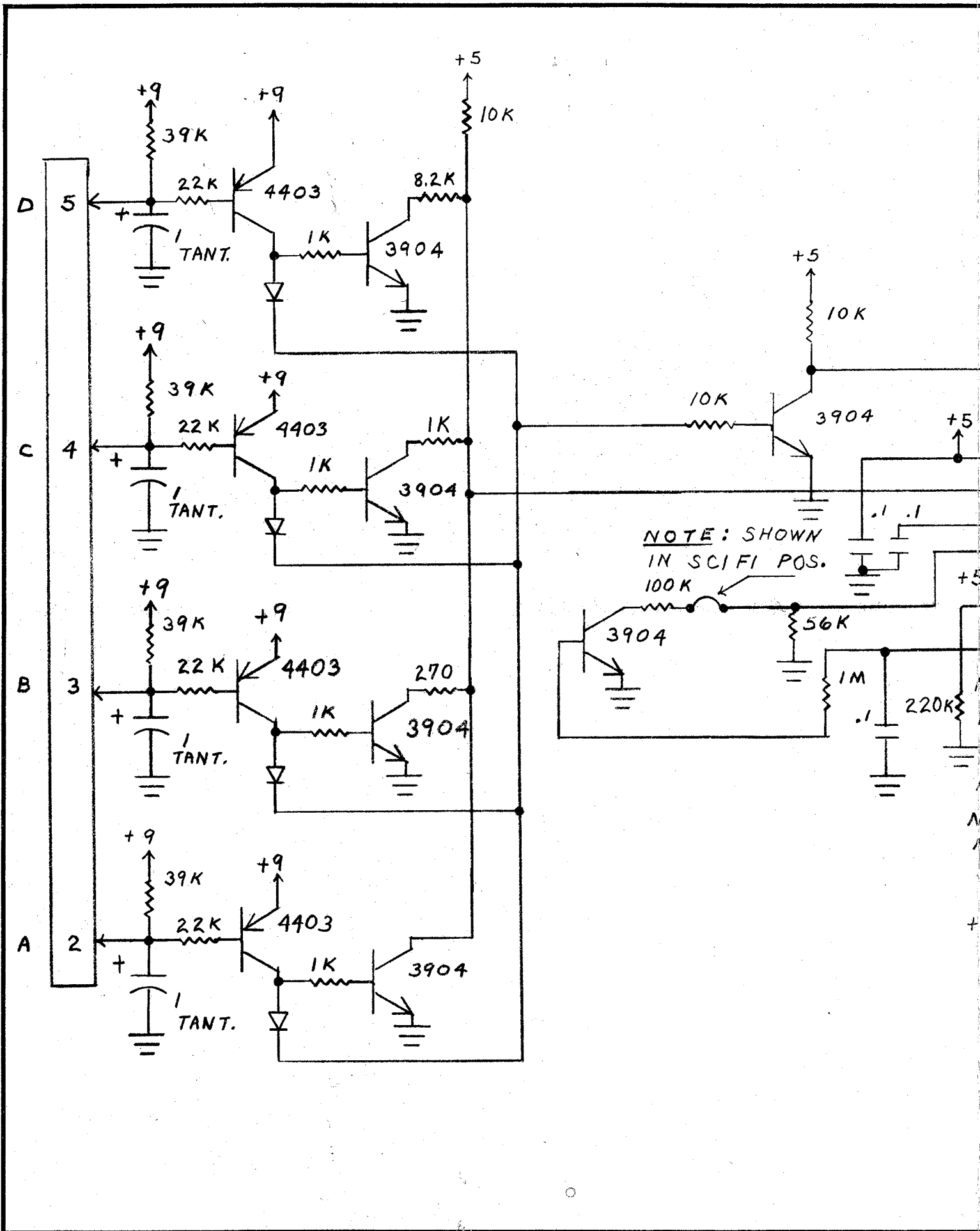
KEY

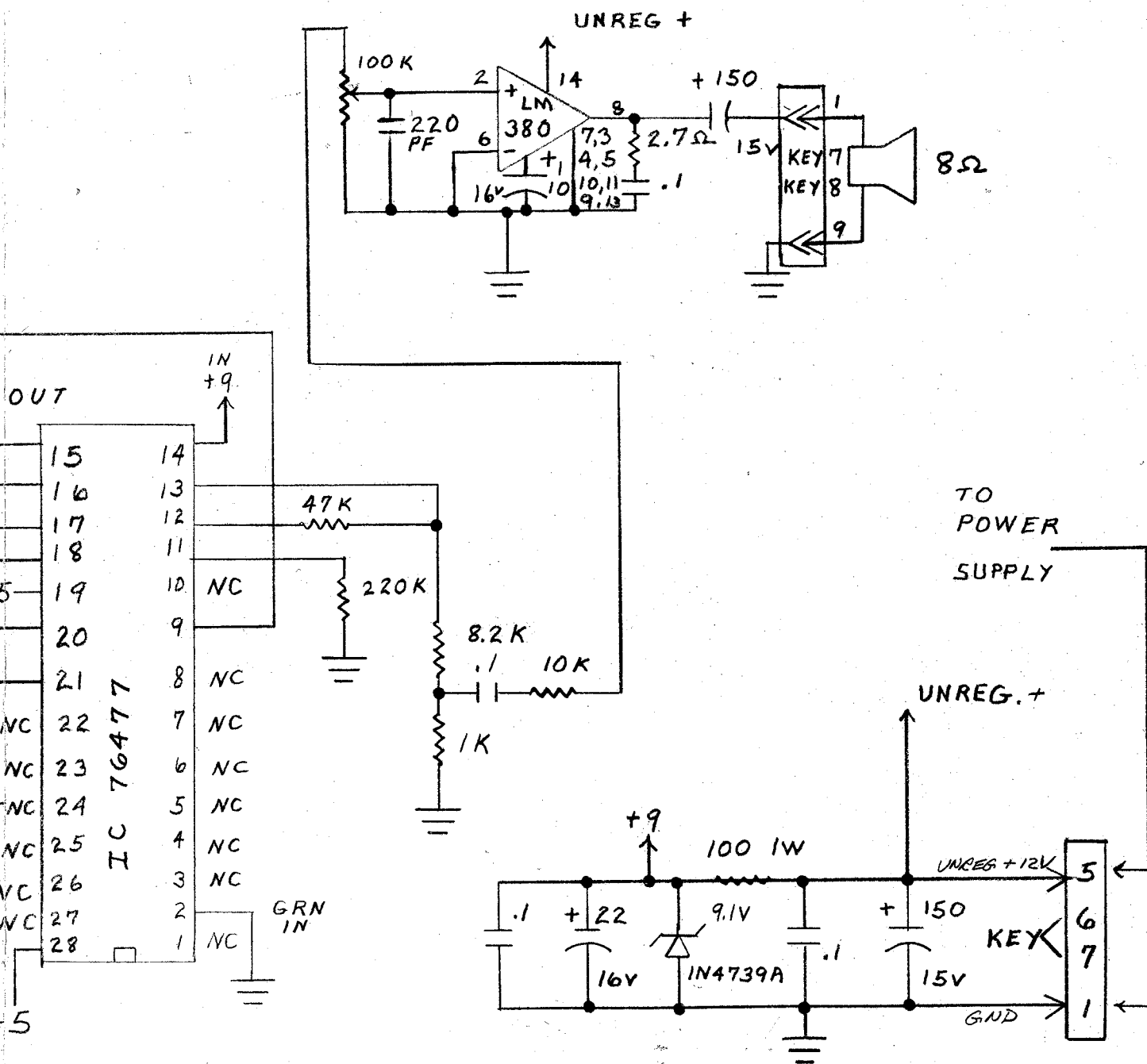
J3

- 8 SOL GND
- 9 SOL GND
- 3 KEY
- 10 SOL GND
- 11 SOL GND
- 4 SOL GND
- 5 SOL GND
- 13 +24 V IN
- 12 UNREG + IN (12V)
- 1 +5 V IN
- 14 +5 V IN
- 15 LOGIC GND
- 6 LOGIC GND
- 7 LOGIC GND

GAME PLAN INCORPORATED
 140 LIVELY BOULEVARD
 ELK GROVE VILLAGE, IL 60007

SCALE:	APPROVED BY:	DRAWN BY: <i>AW</i>
DATE: 5-11-78		REVISED: <i>AW</i>
		A18-9-78
SDU-1 SOLENOID DRIVER		DRAWING NUMBER: 02-70004C





Game Plan Inc. 1515 W. Fullerton Ave. Addison Ill. 60101			
SCALE:	APPROVED BY:	DRAWN BY JAK	
DATE: 11-6-78		REVISED	
Mat'l.			
SSU-/SOUND SIMULATOR		DRAWING NUMBER 02-70009B	