

This document has been downloaded from:

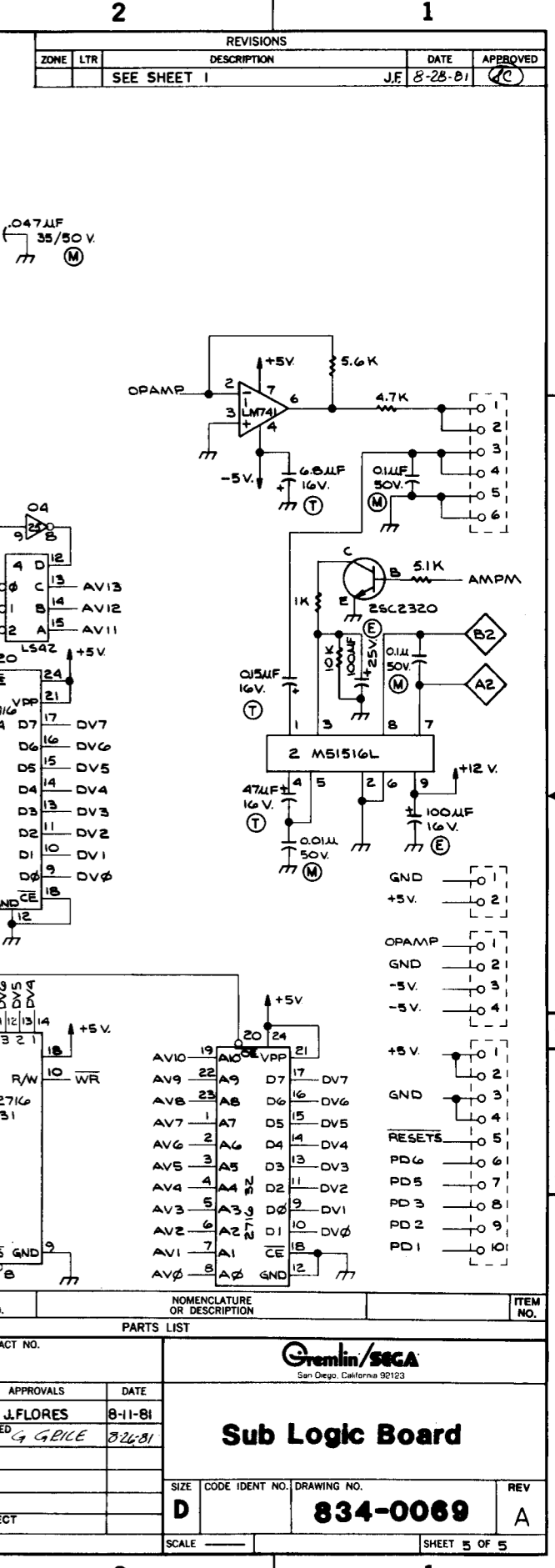
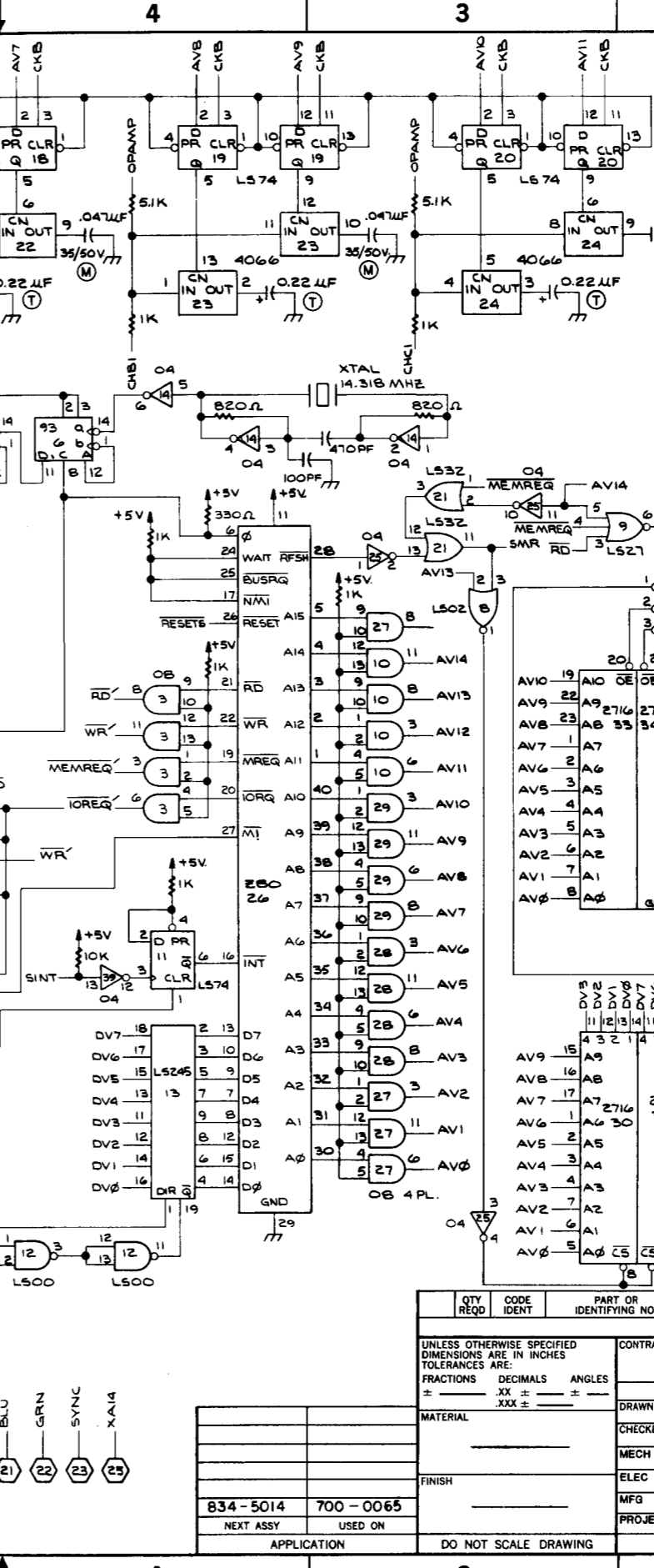
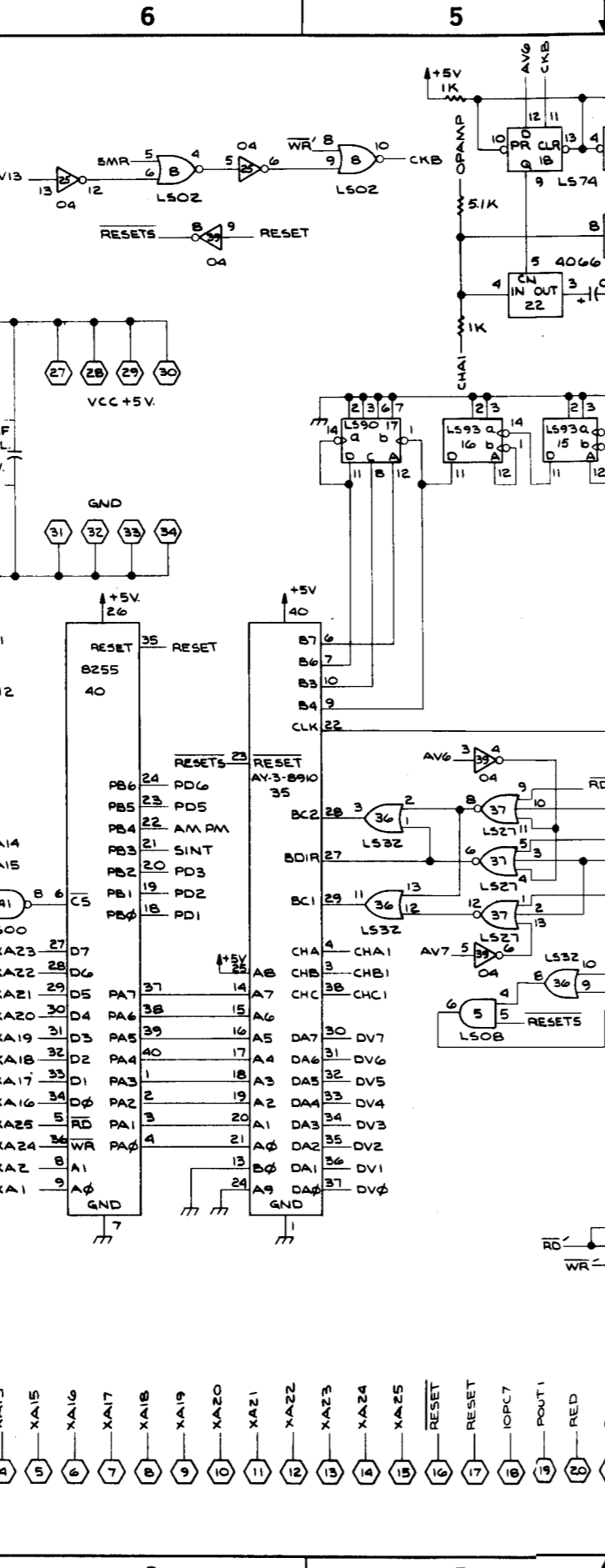
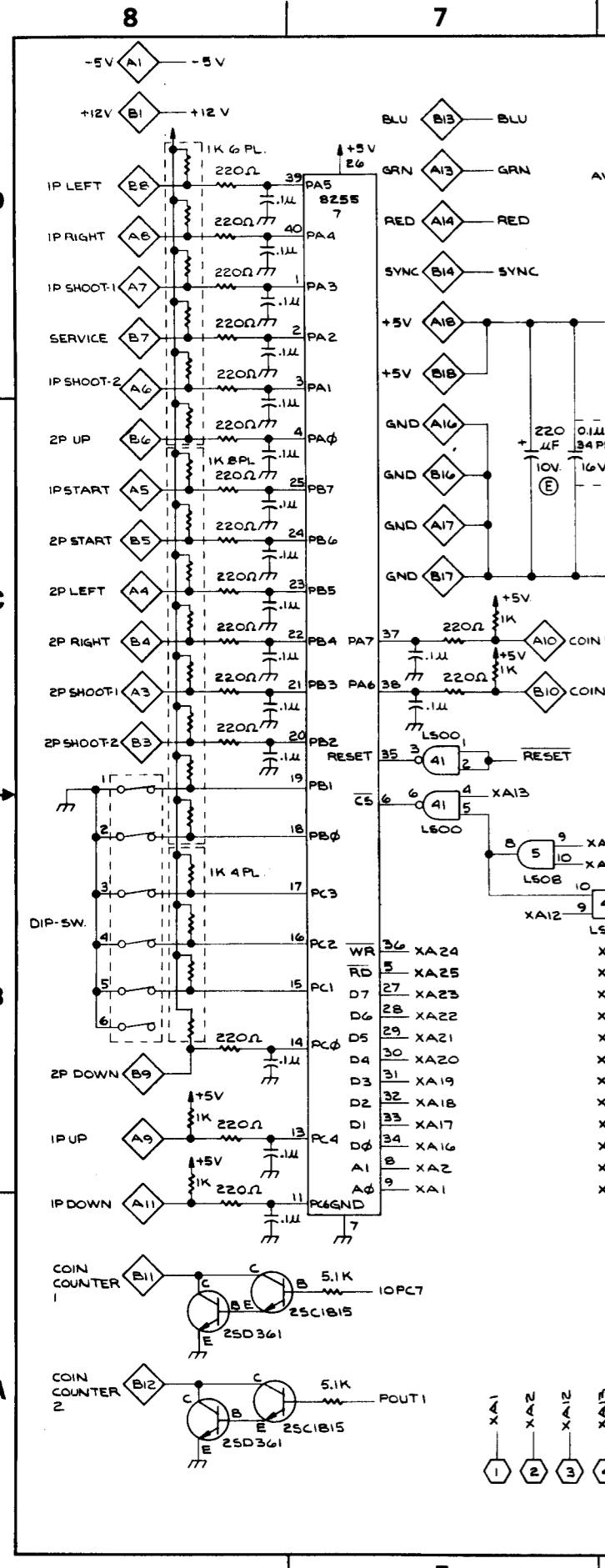
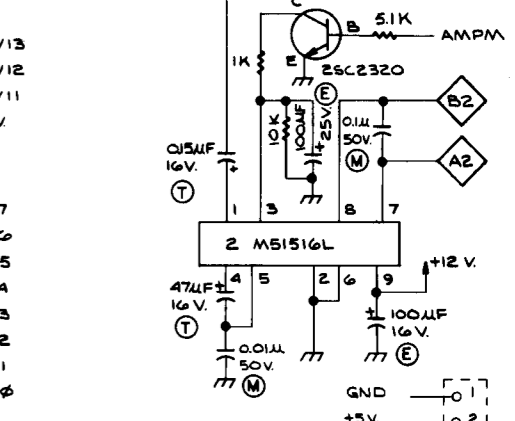
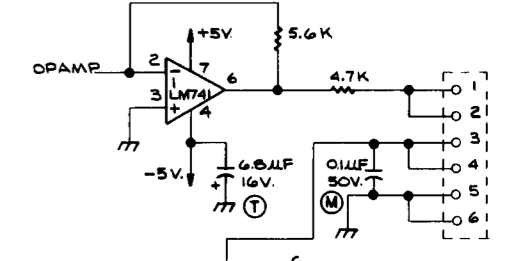
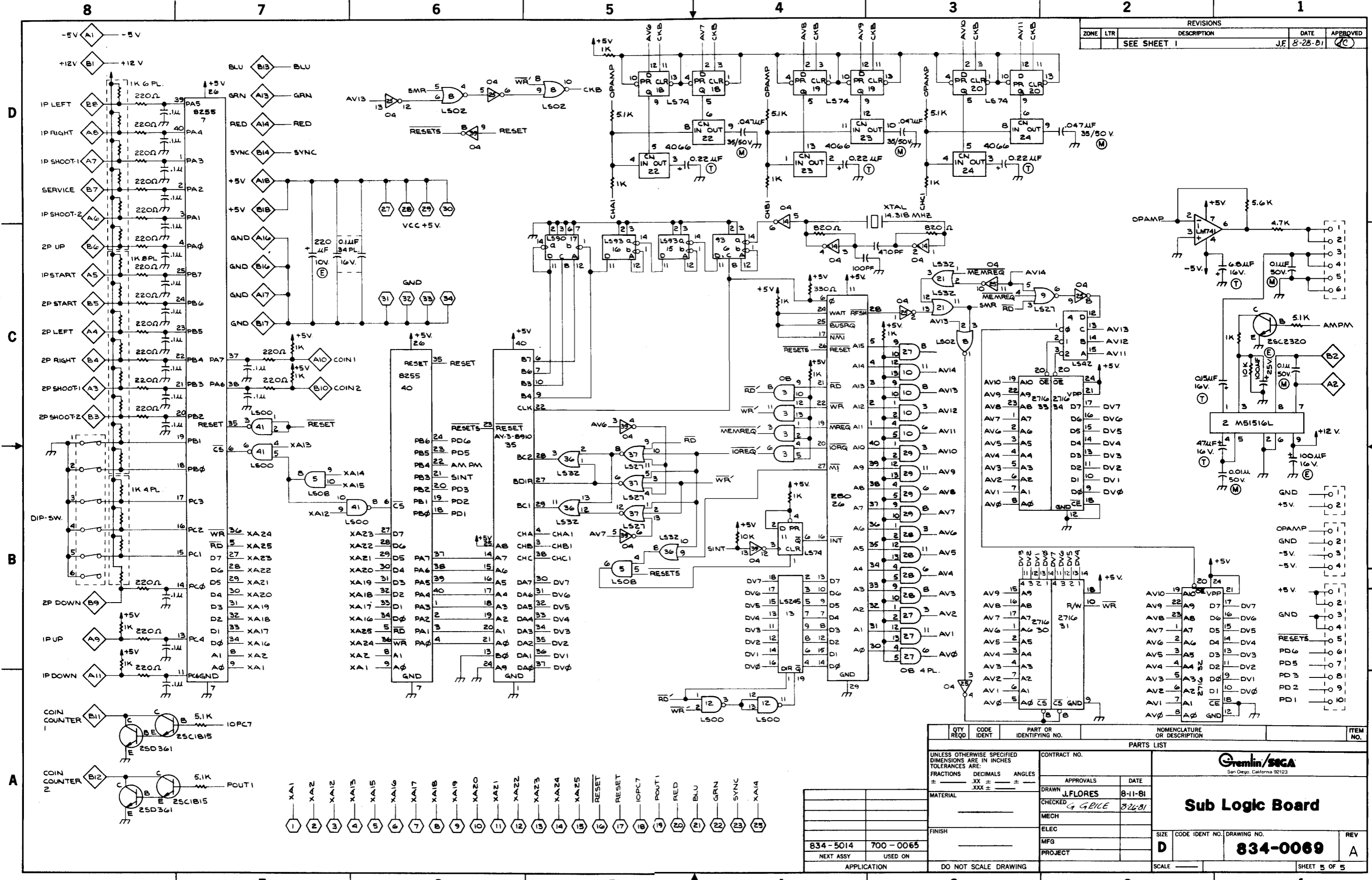


The largest resource for amusement machines
documentation on the world wide web!



FLIPPERSPILL.COM

ZONE		LTR		REVISIONS		DATE		APPROVED	
		SEE SHEET 1				J.F. 8-28-81		[Signature]	

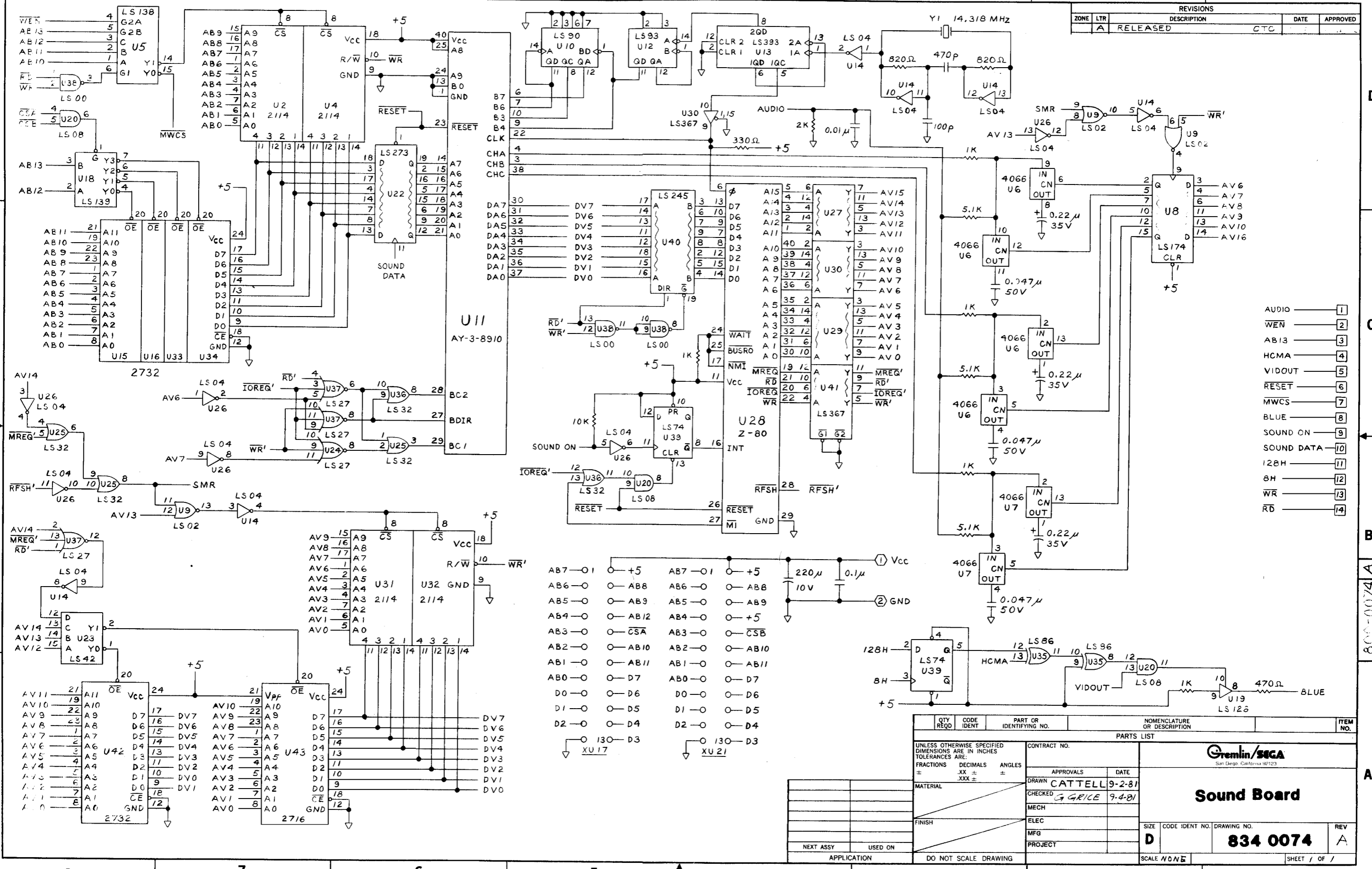


1	XA1	2	XA2	3	XA12	4	XA13	5	XA15	6	XA16	7	XA17	8	XA18	9	XA19	10	XA20	11	XA21	12	XA22	13	XA23	14	XA24	15	XA25	16	RESET	17	RESET	18	IOPC7	19	POUT1	20	RED	21	BLU	22	GRN	23	SYNC	24	XA14	25	
---	-----	---	-----	---	------	---	------	---	------	---	------	---	------	---	------	---	------	----	------	----	------	----	------	----	------	----	------	----	------	----	-------	----	-------	----	-------	----	-------	----	-----	----	-----	----	-----	----	------	----	------	----	--

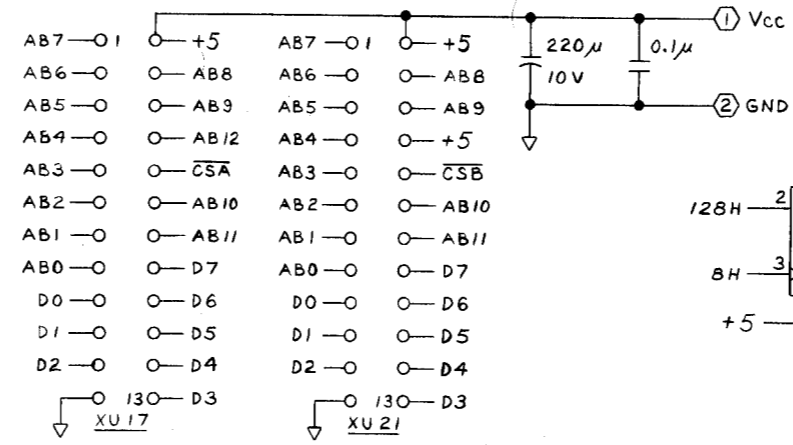
QTY REQD	CODE IDENT	PART OR IDENTIFYING NO.	NOMENCLATURE OR DESCRIPTION	ITEM NO.
PARTS LIST				
UNLESS OTHERWISE SPECIFIED DIMENSIONS ARE IN INCHES TOLERANCES ARE:		CONTRACT NO.		
FRACTIONS	DECIMALS	ANGLES		
±	.XX ±	±		
	.XXX ±			
MATERIAL			APPROVALS	DATE
			J.FLORES	8-11-81
			CHECKED	G GEILE
			MECH	8-26-81
			ELEC	
			MFG	
			PROJECT	
834-5014		700-0065	Gremlin/SEGA	
NEXT ASSY		USED ON	San Diego, California 92123	
APPLICATION		DO NOT SCALE DRAWING	Sub Logic Board	
SCALE	SIZE	CODE IDENT NO.	DRAWING NO.	REV
	D		834-0069	A
SHEET 5 OF 5				

834-0069 | A | B | C | D

REVISIONS				
ZONE	LTR	DESCRIPTION	DATE	APPROVED
A		RELEASED	CTC	



- AUDIO — 1
- WEN — 2
- AB13 — 3
- HCMA — 4
- VIDOUT — 5
- RESET — 6
- MWCS — 7
- BLUE — 8
- SOUND ON — 9
- SOUND DATA — 10
- 12BH — 11
- 8H — 12
- WR — 13
- RD — 14



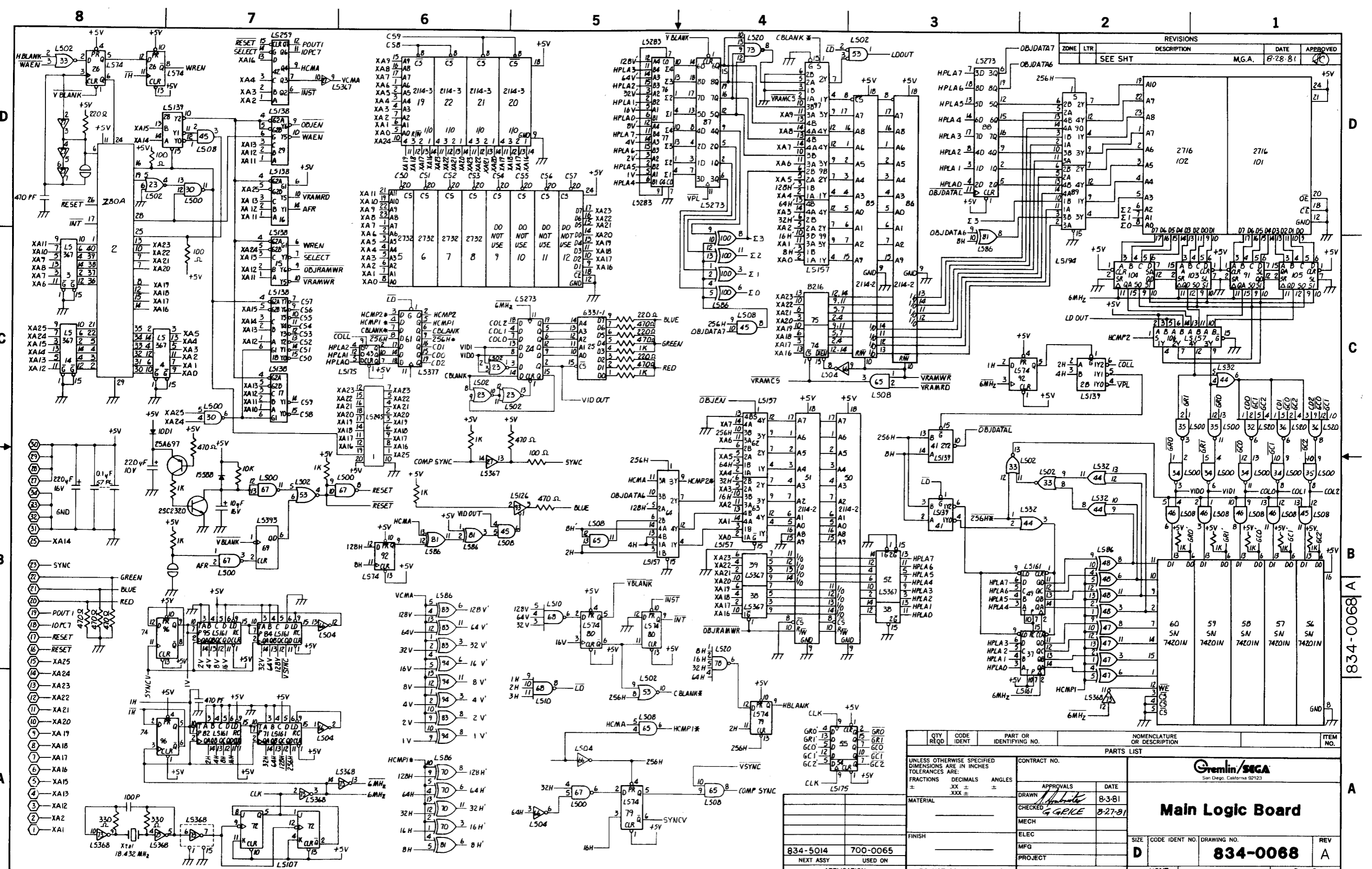
QTY REQD	CODE IDENT	PART OR IDENTIFYING NO.	NOMENCLATURE OR DESCRIPTION	ITEM NO.
PARTS LIST				
UNLESS OTHERWISE SPECIFIED DIMENSIONS ARE IN INCHES TOLERANCES ARE:		CONTRACT NO.		
FRACTIONS	DECIMALS	ANGLES	APPROVALS	DATE
±	.XX ±	±	DRAWN CATTELL	9-2-81
	.XXX ±		CHECKED G GRICE	9-4-81
MATERIAL			MECH	
FINISH			ELEC	
			MFG	
			PROJECT	
NEXT ASSY		USED ON	SIZE	CODE IDENT NO. DRAWING NO.
			D	834 0074
APPLICATION		DO NOT SCALE DRAWING	SCALE	REV
			NONE	A
				SHEET 1 OF 1



Sound Board

834 0074

800-0074A



REVISIONS			
ZONE	LTR	DESCRIPTION	DATE
		SEE SHT	M.G.A. 8-28-81

QTY REQD		CODE IDENT		PART OR IDENTIFYING NO.		NOMENCLATURE OR DESCRIPTION		ITEM NO.	
UNLESS OTHERWISE SPECIFIED DIMENSIONS ARE IN INCHES TOLERANCES ARE:									
FRACTIONS		DECIMALS		ANGLES		±		±	
.XX ±		.XXX ±		° ±					
MATERIAL				CONTRACT NO.					
FINISH				APPROVALS				DATE	
				DRAWN				8-3-81	
				CHECKED				8-27-81	
				MECH					
				ELEC					
				MFG					
				PROJECT					
834-5014		700-0065		834-0068		Main Logic Board		REV A	
NEXT ASSY		USED ON		SCALE NONE		SHEET 5 OF 5			

834-0068 A