

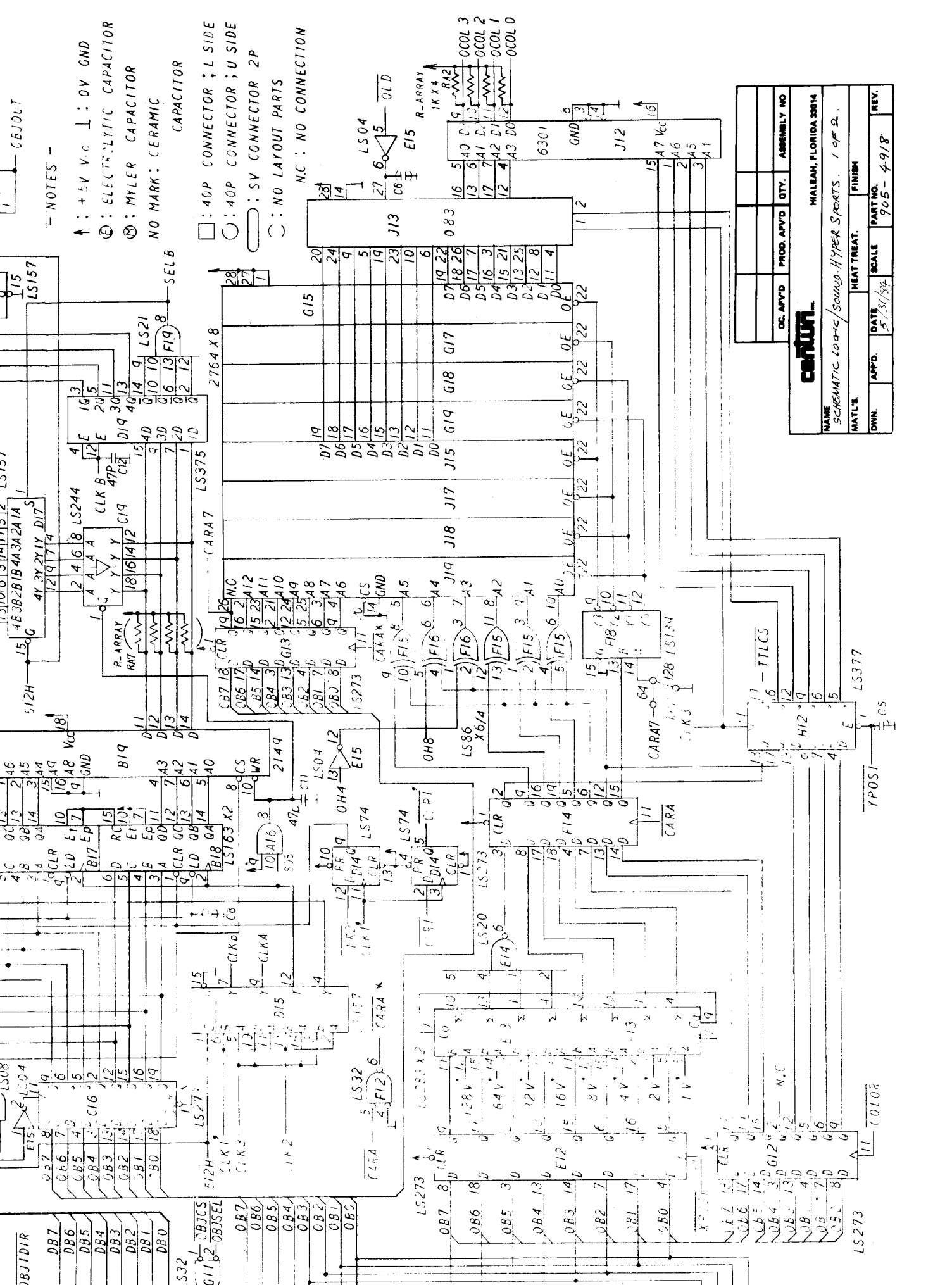
This document has been downloaded from:



The largest resource for amusement machines
documentation on the world wide web!

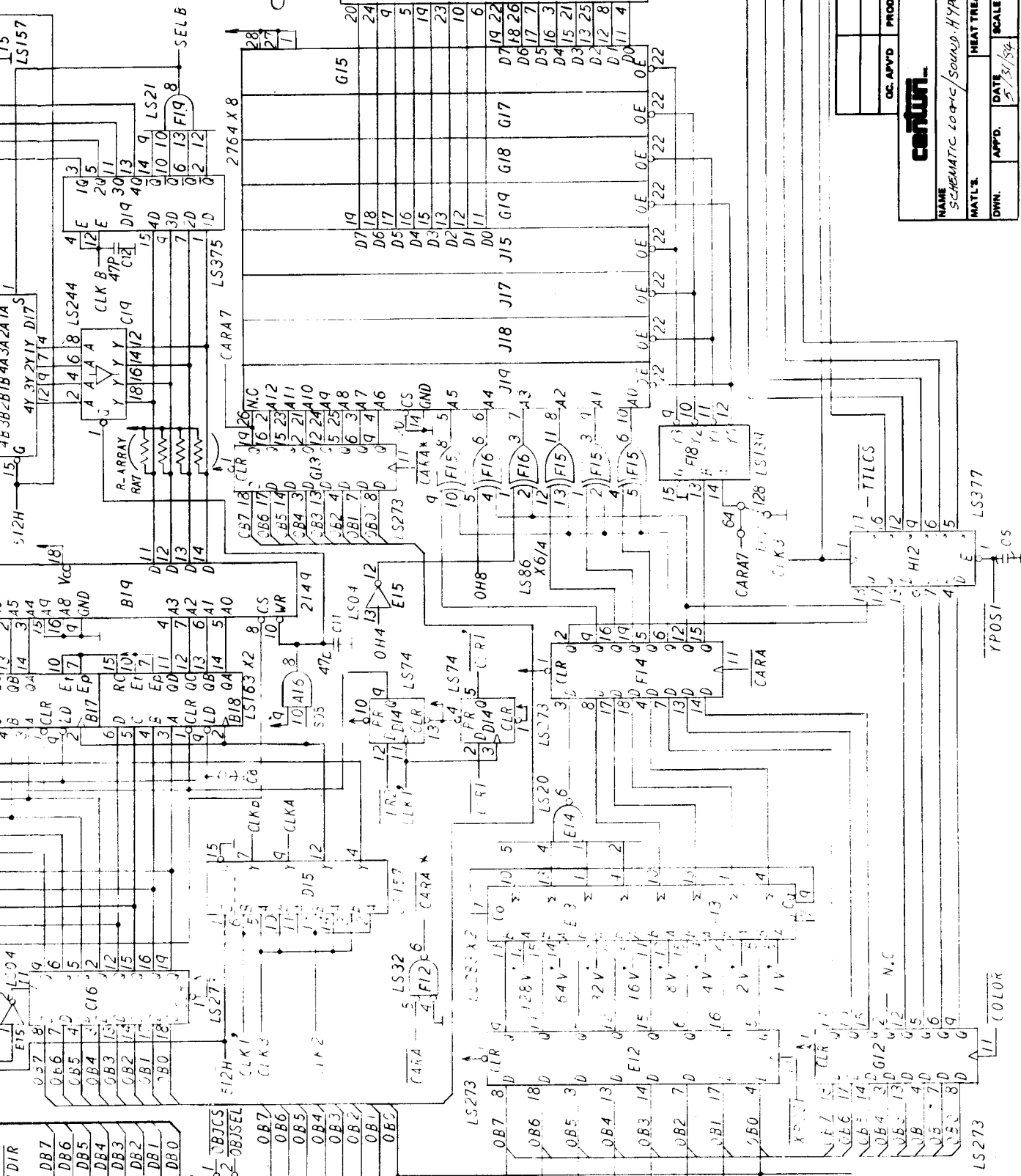


FLIPPERSPILL.COM



NOTES -

- ↑ : +5V V_{CC} ↓ : 0V GND
- ⊕ : ELECTROLYTIC CAPACITOR
- ⊗ : MYLER CAPACITOR
- NO MARK : CERAMIC CAPACITOR
- : .40P CONNECTOR ; L SIDE
- : .40P CONNECTOR ; U SIDE
- ⊖ : .5V CONNECTOR 2P
- : NO LAYOUT PARTS
- NC : NO CONNECTION



OC. APVD	PROD. APVD	QTY.	ASSEMBLY NO

centron

NAME: SCHEMATIC LOGIC/SOUND/HYPER SPORTS. 1 OF 2.

MATERIALS: HIALEAH, FLORIDA 33014

DATE: 5/31/84

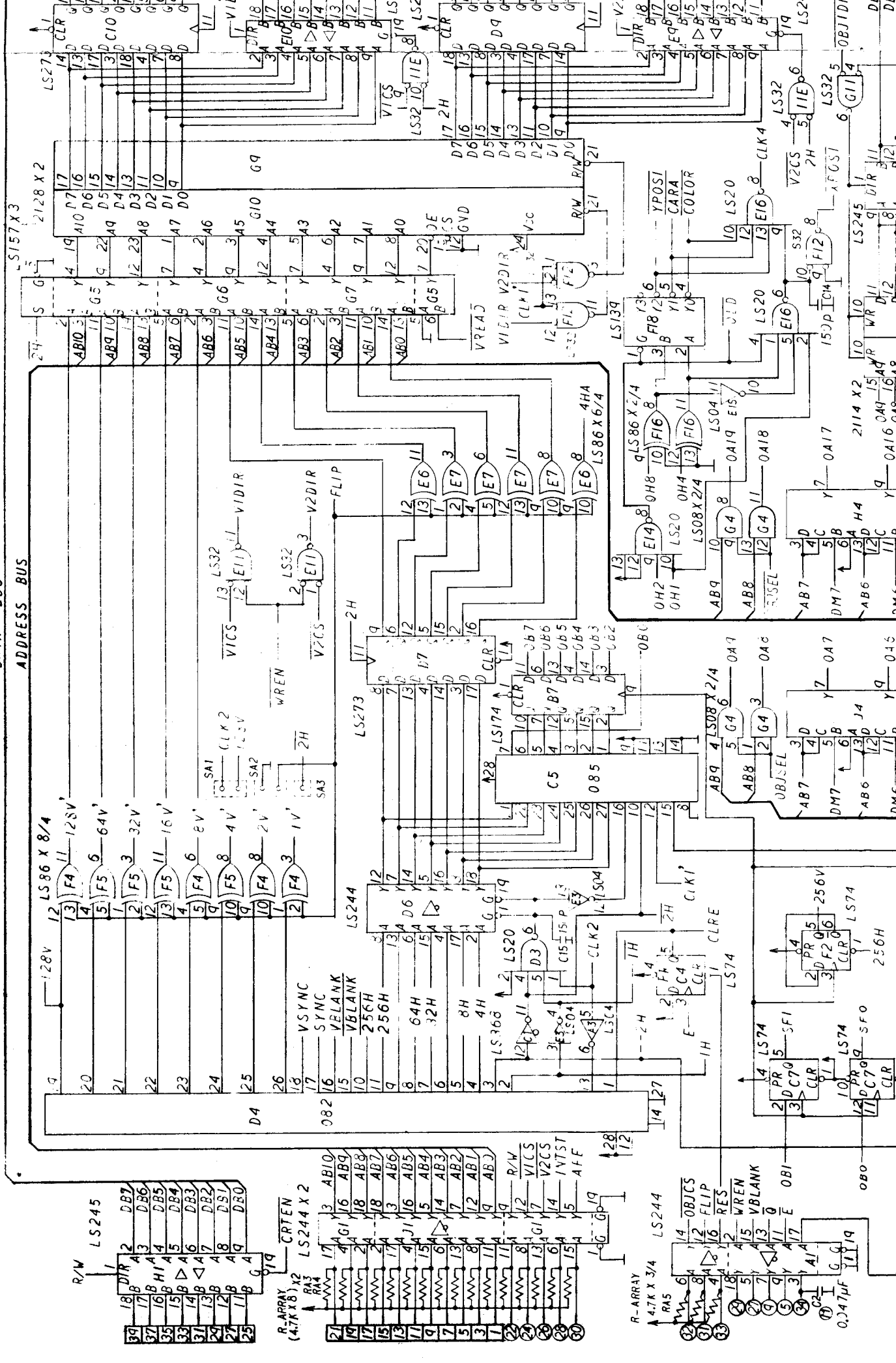
SCALE: PART NO. 905-4918

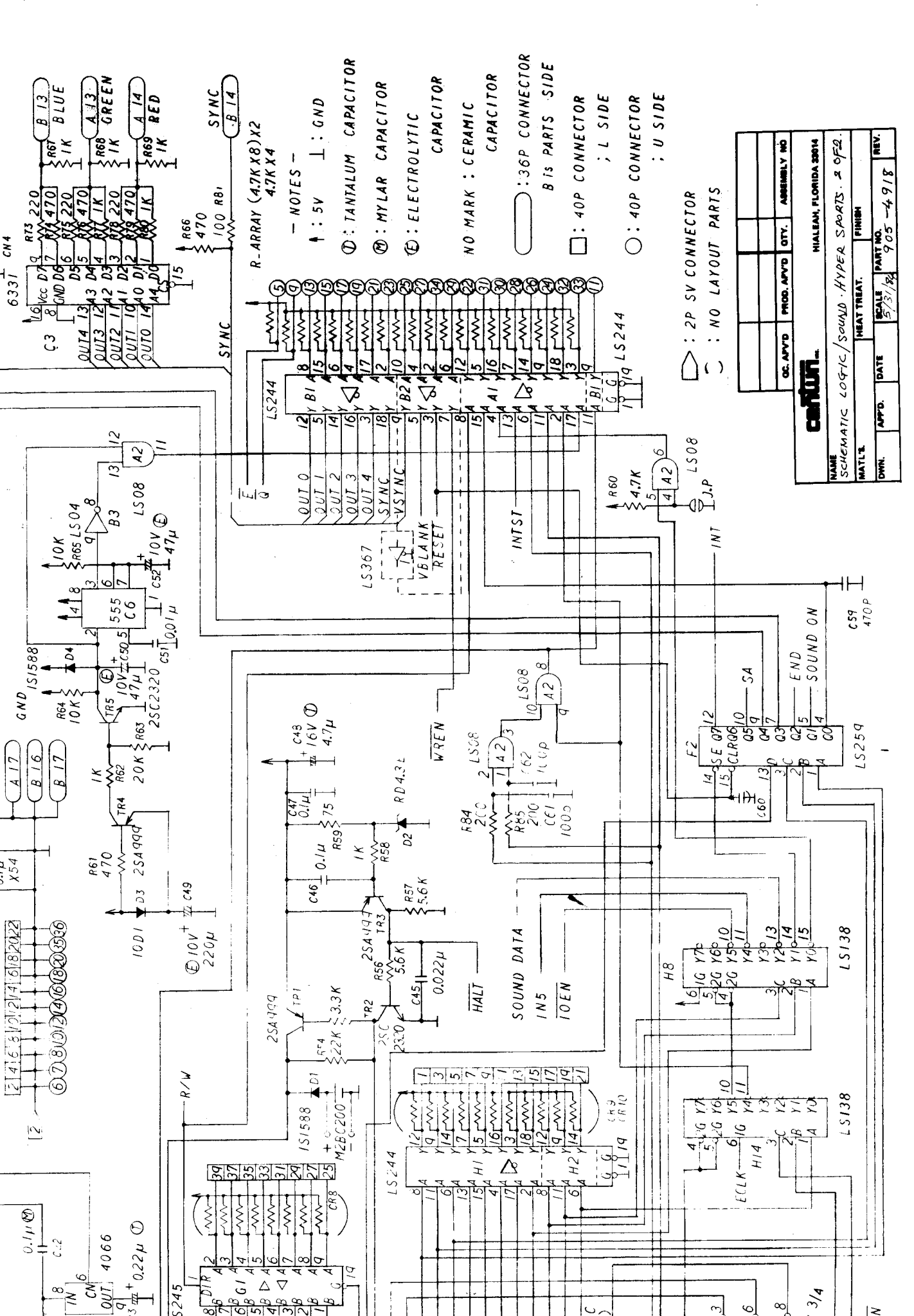
HEAT TREAT. FINISH

APVD. REV.

DATA BUS

ADDRESS BUS





- NOTES ---
- ↑ : 5V ↓ : GND
 - ⊖ : TANTALUM CAPACITOR
 - ⊕ : MYLAR CAPACITOR
 - ⊖ : ELECTROLYTIC CAPACITOR
 - NO MARK : CERAMIC CAPACITOR
 - : 36P CONNECTOR
 - : 40P CONNECTOR
 - : 40P CONNECTOR ; L SIDE
 - : 40P CONNECTOR ; U SIDE

⏏ : 2P 5V CONNECTOR
 ⏏ : NO LAYOUT PARTS

CENTURION			
GC. APVD	PROD. APVD	QTY.	ASSEMBLY NO.

NAME		HEAT TREAT.		FINISH	
DWN.	APVD.	DATE	MAT'L	SCALE	REV.

MALEAH, FLORIDA 32014
 SCHEMATIC LOGIC/SOUND-HYPER SPORTS-2 OF 2
 PART NO. 905-4918
 SCALE 5/31/82

