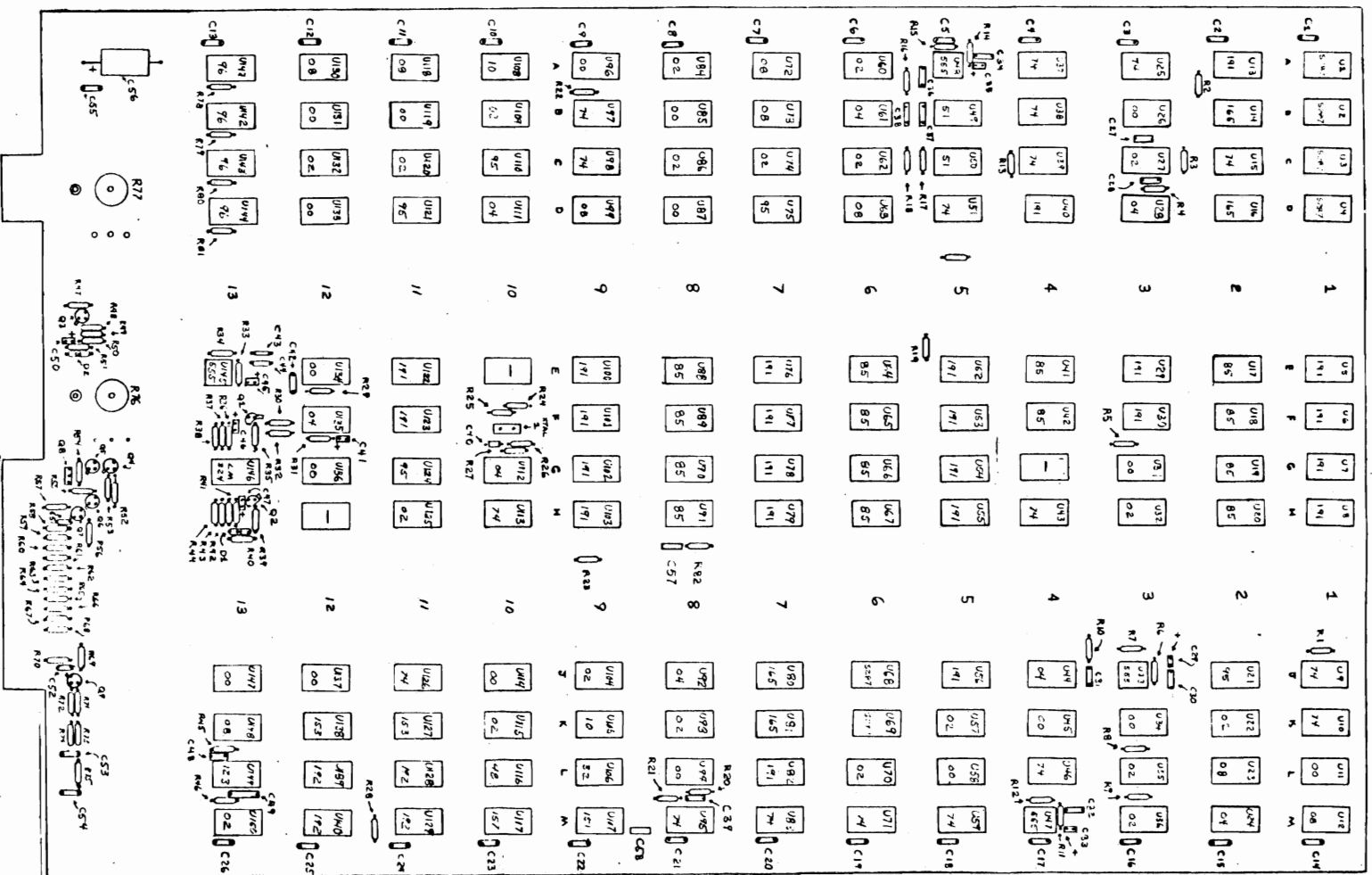
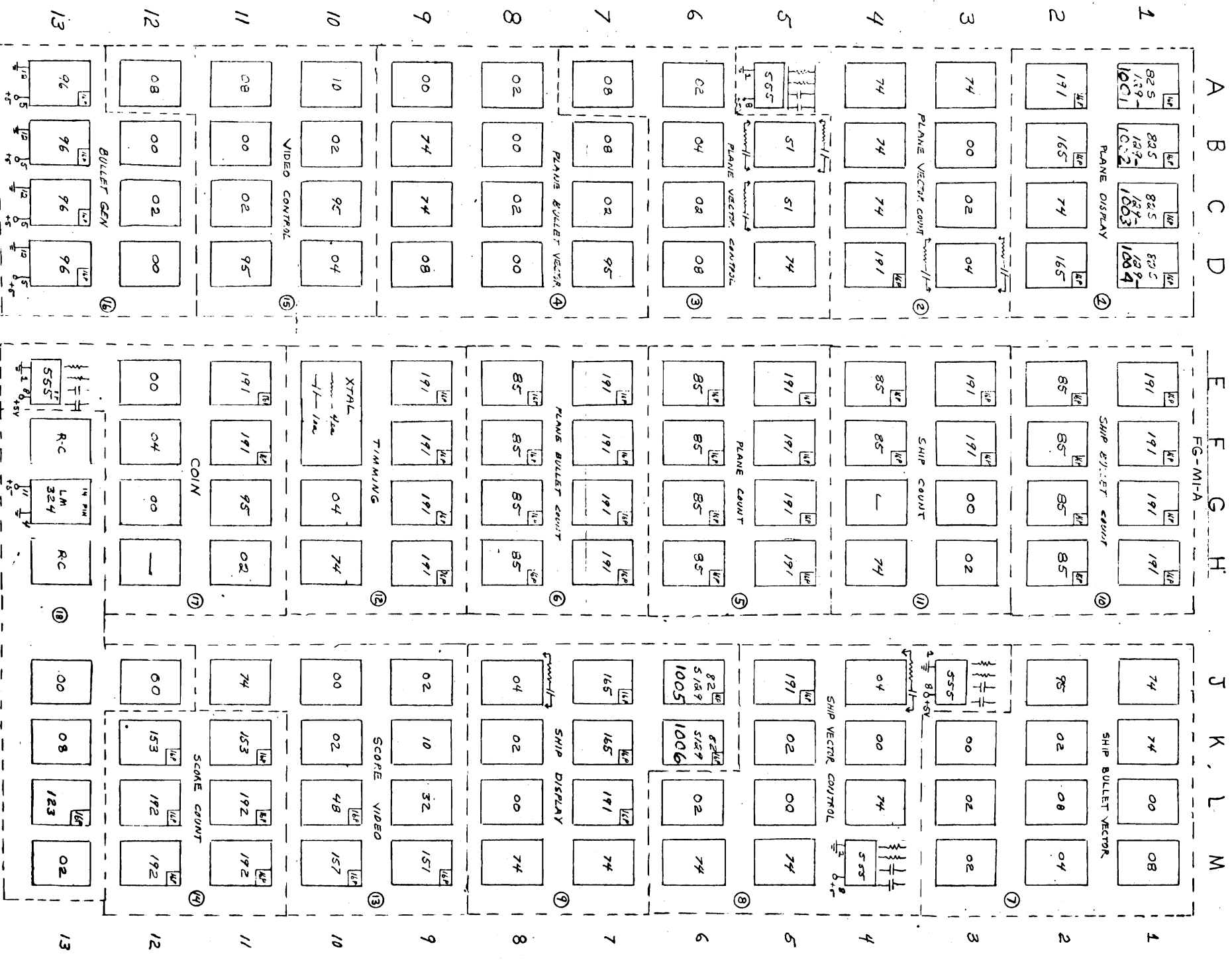


# ATTACK

BY *Exidy*

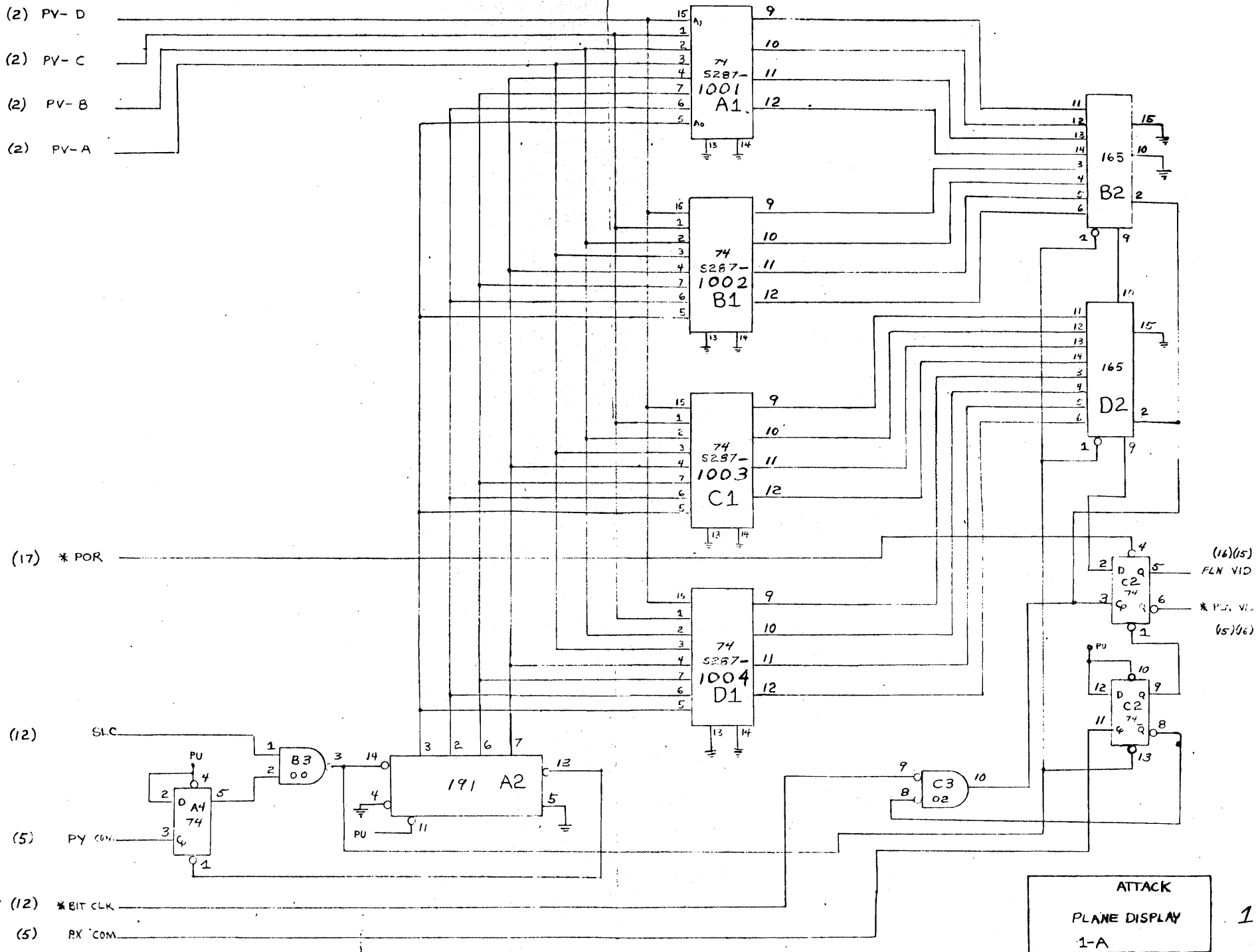
LOGIC DIAGRAM 1A

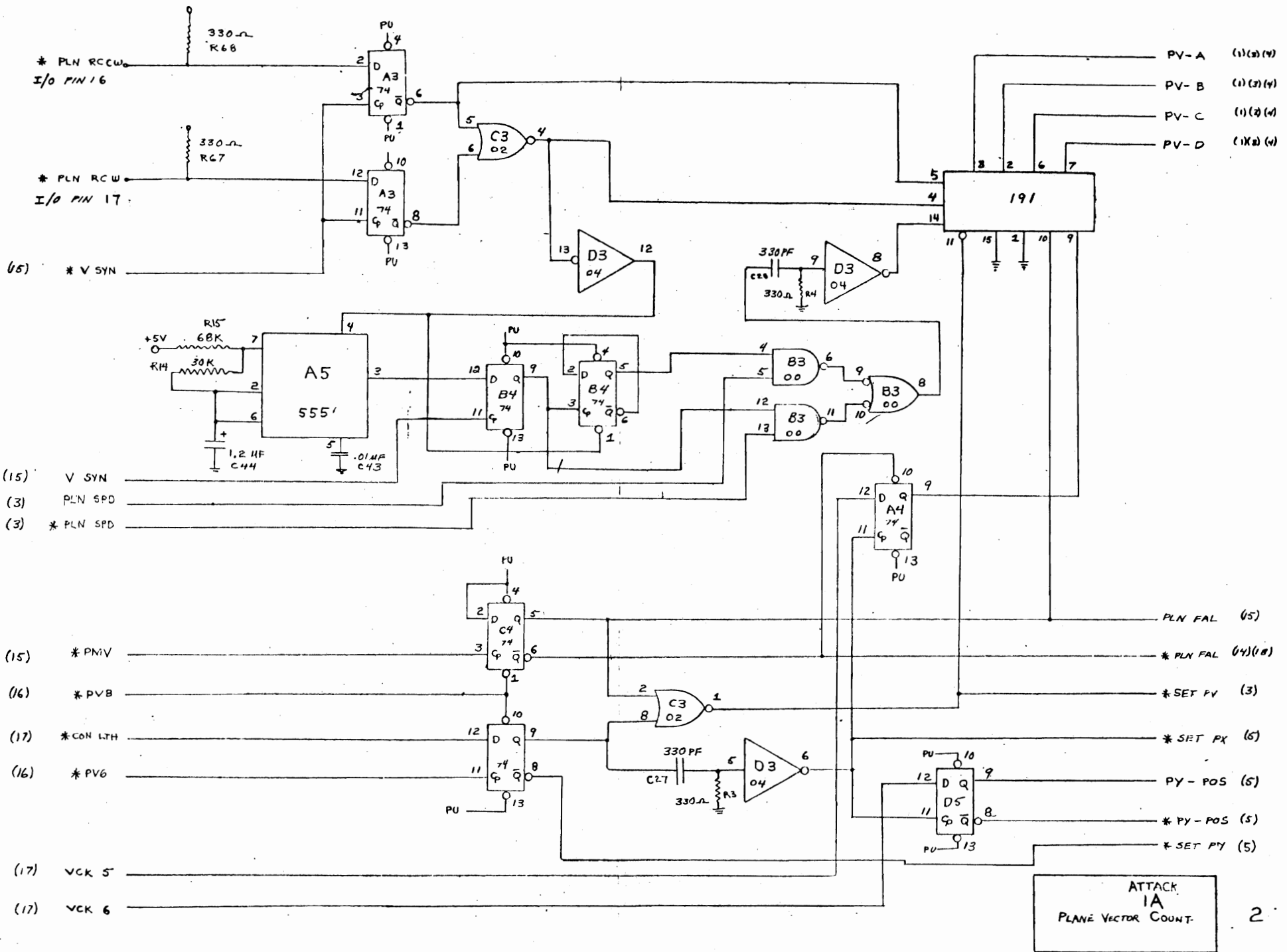




1-A  
ATTACK

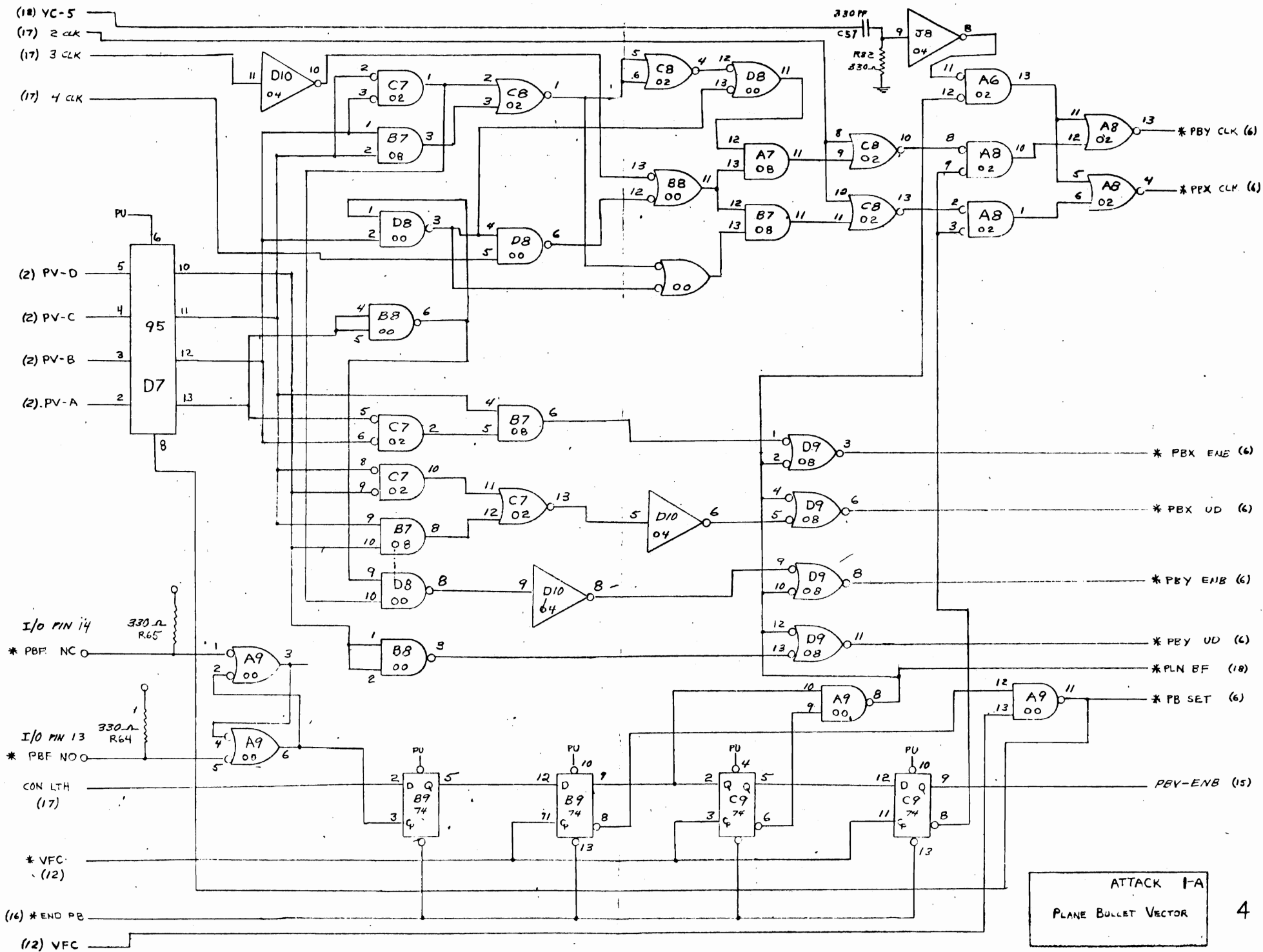
IC LOCATION

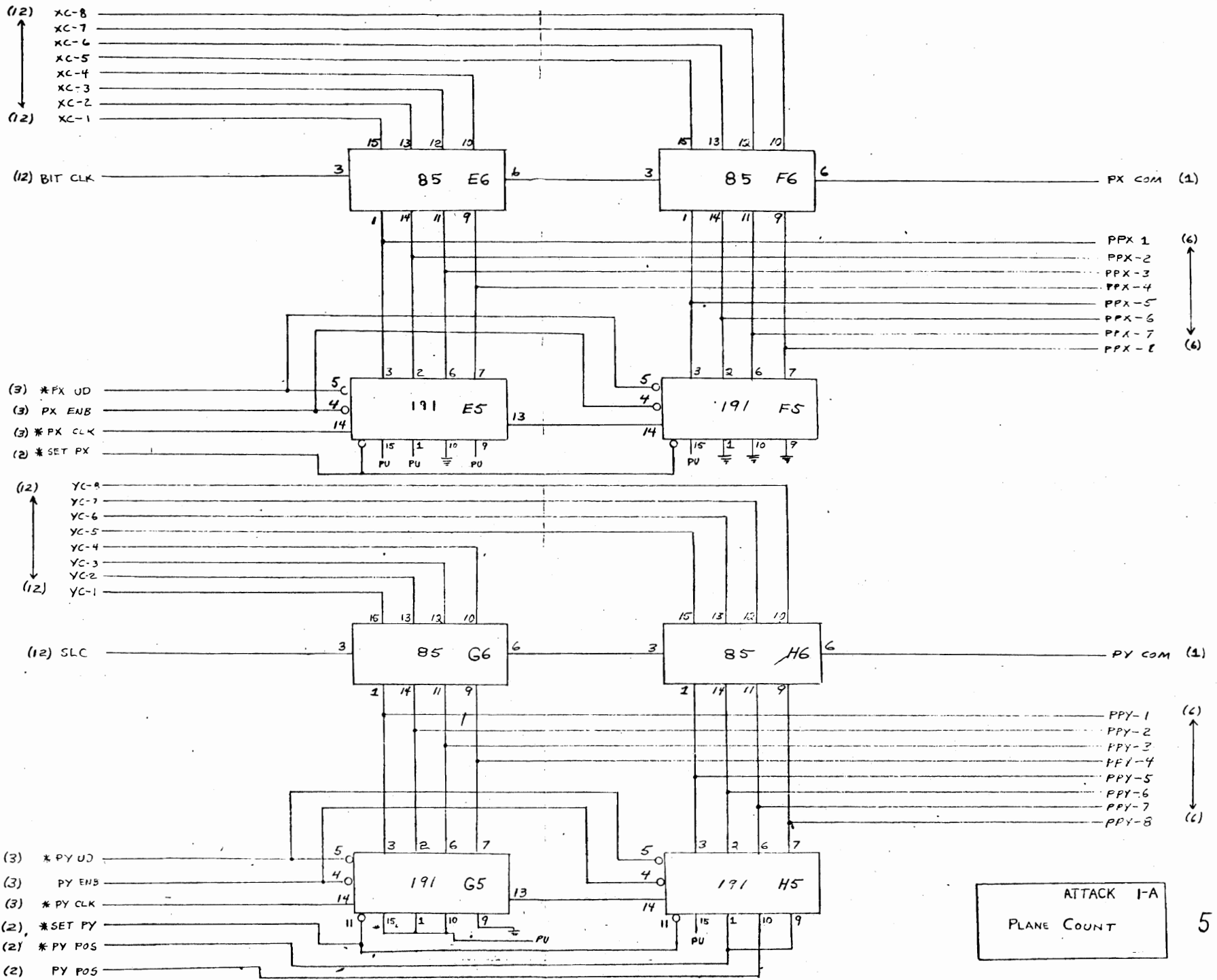




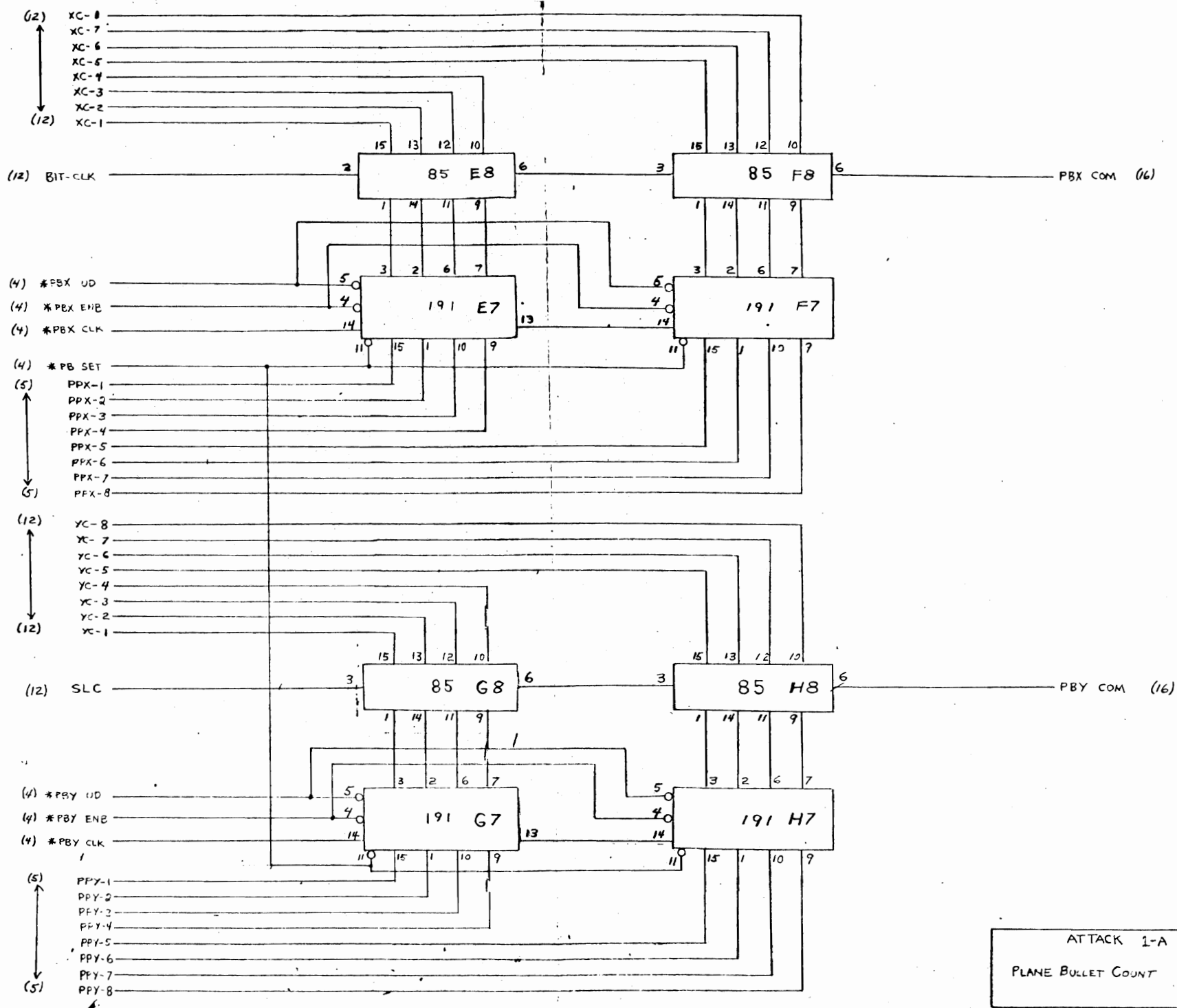
ATTACK  
IA  
PLANE VECTOR COUNT.



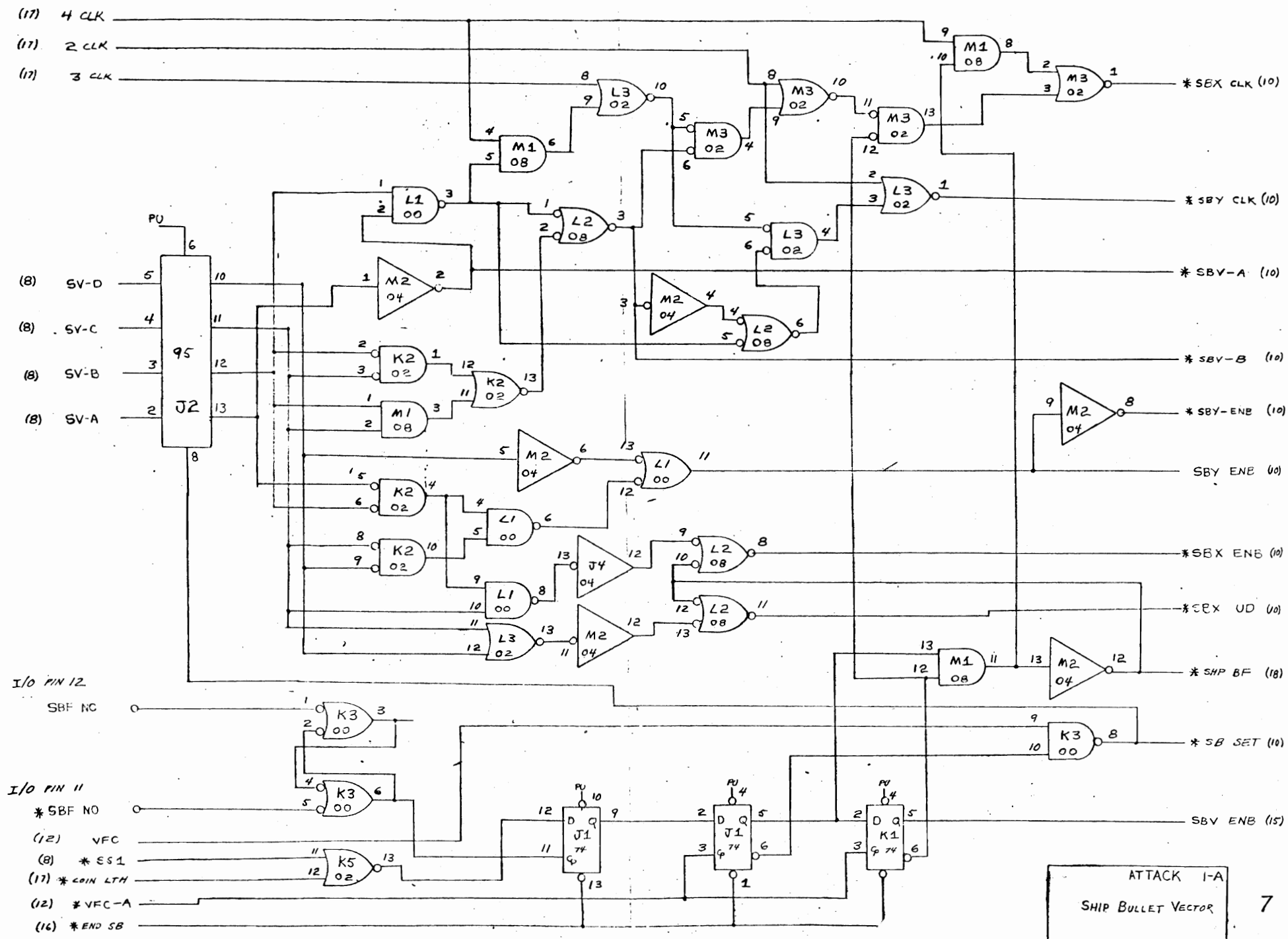




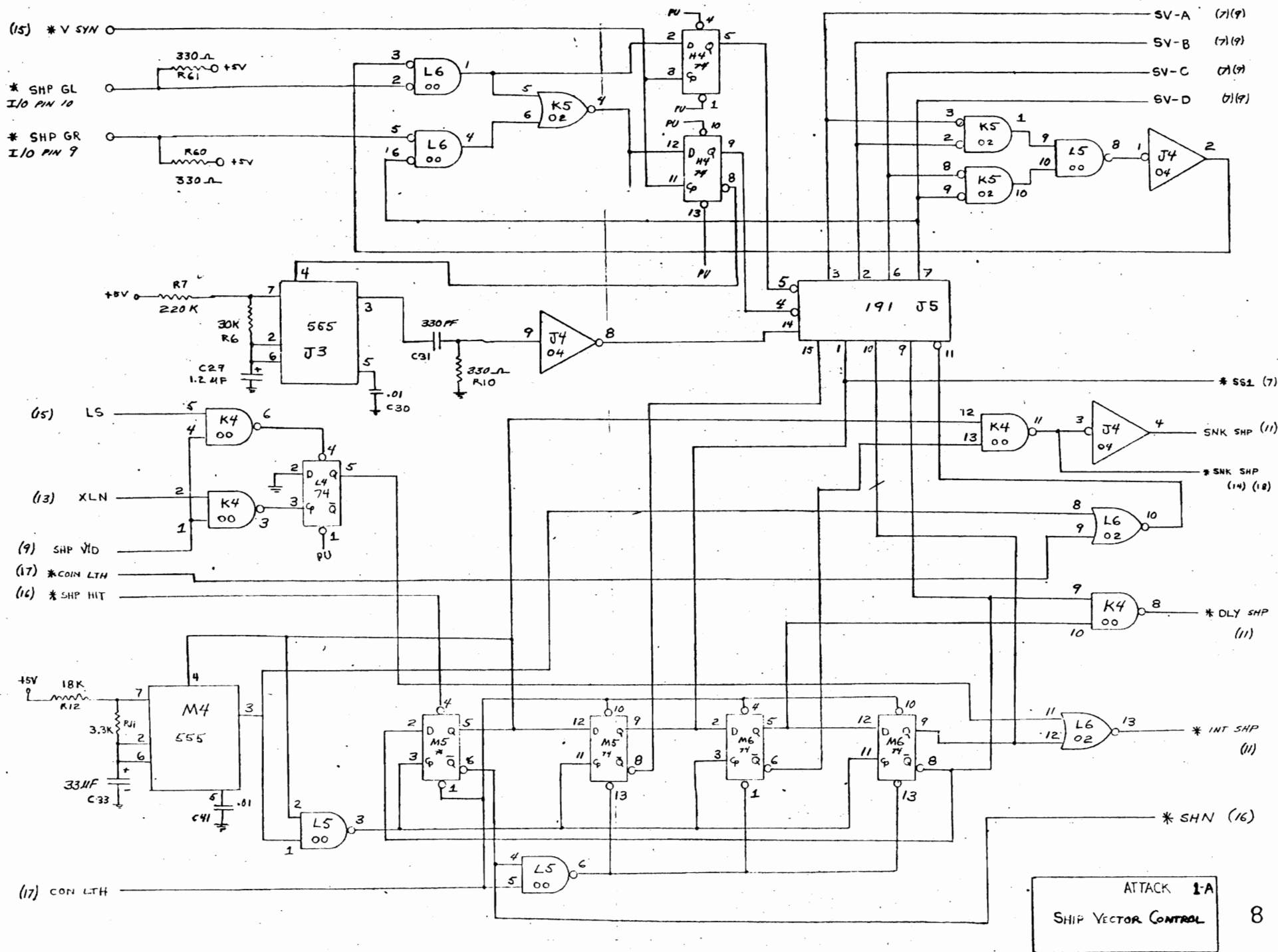




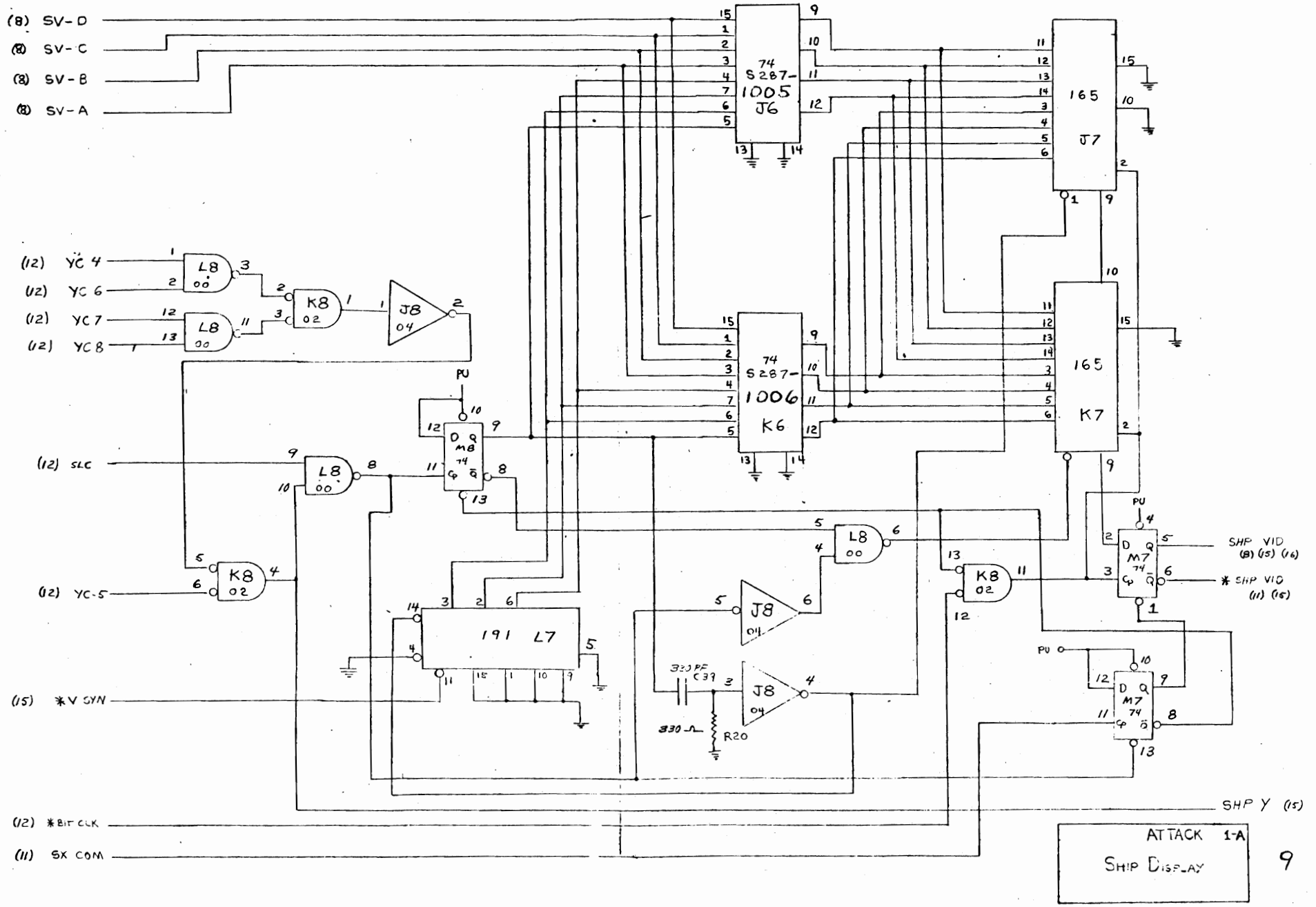
ATTACK 1-A  
PLANE BULLET COUNT

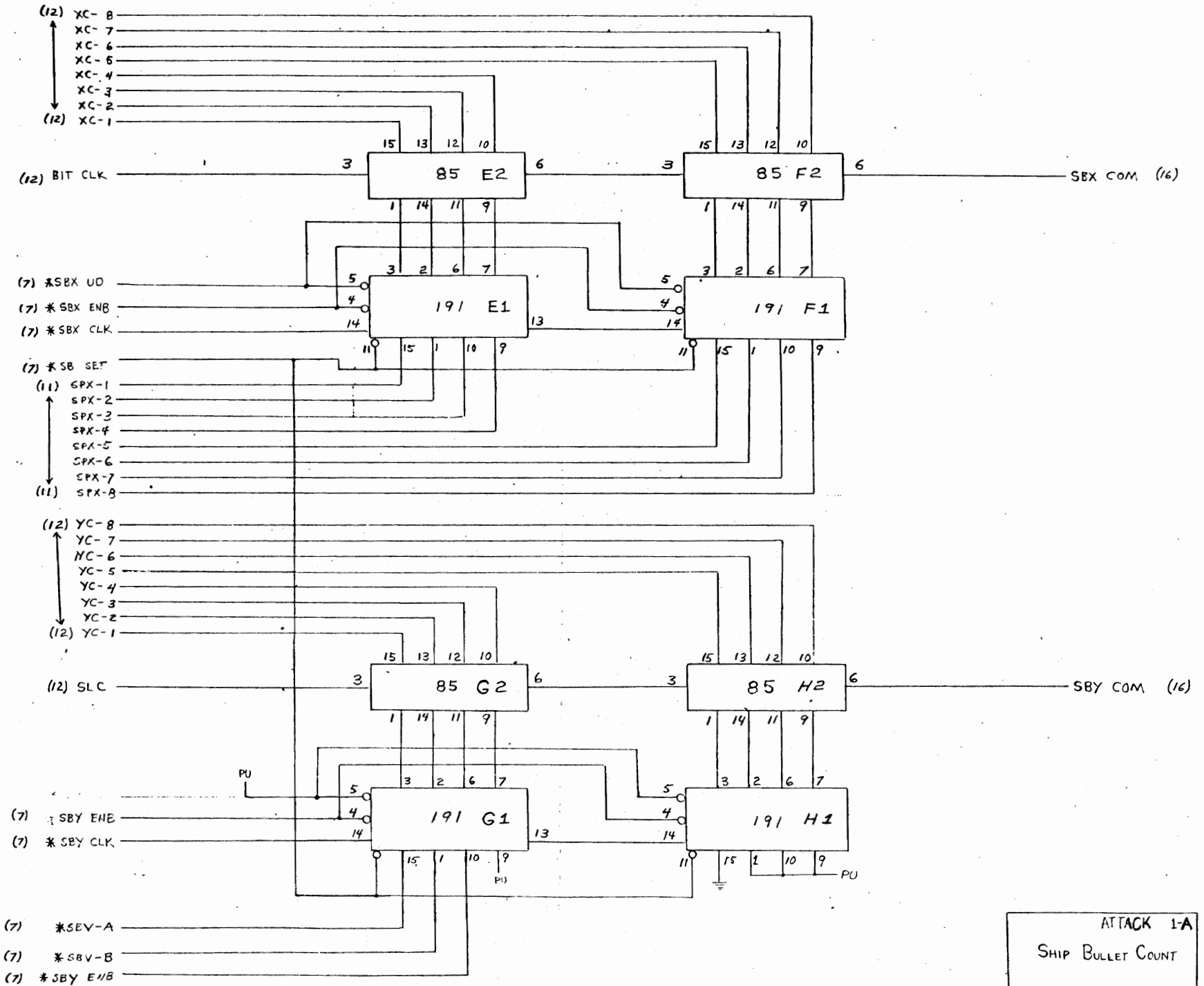


ATTACK I-A  
SHIP BULLET VECTOR

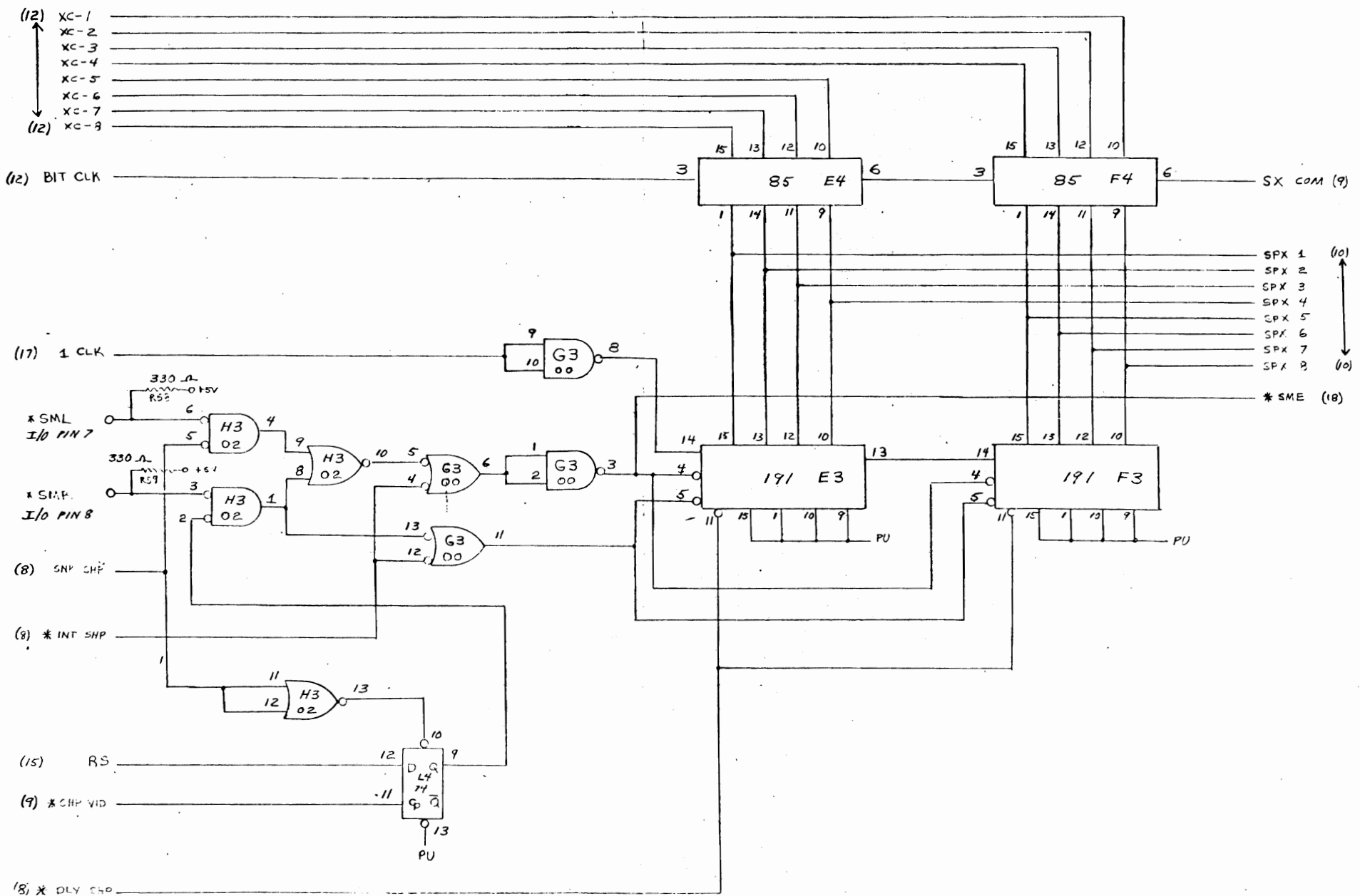


ATTACK 1-A  
SHIP VECTOR CONTROL

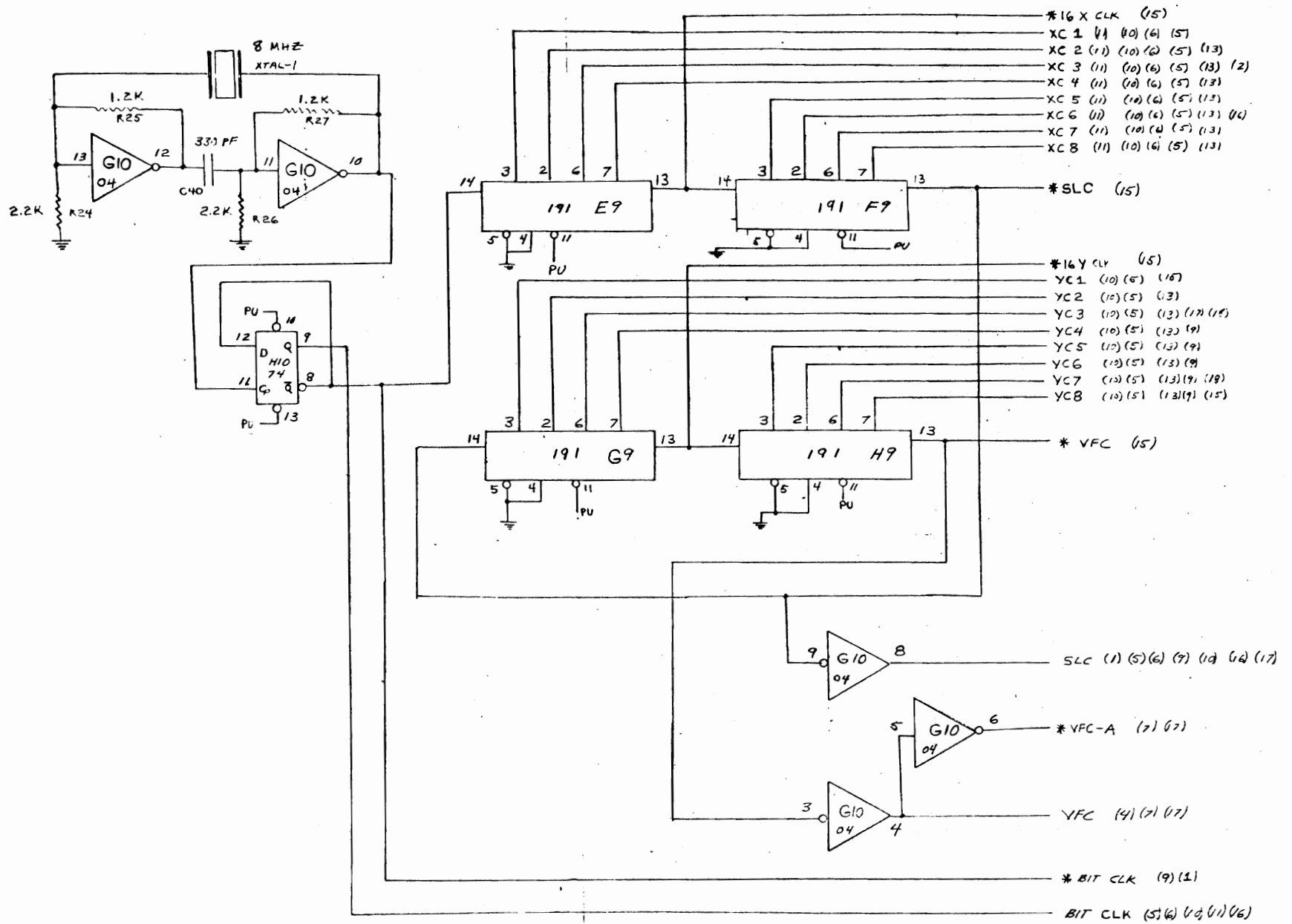




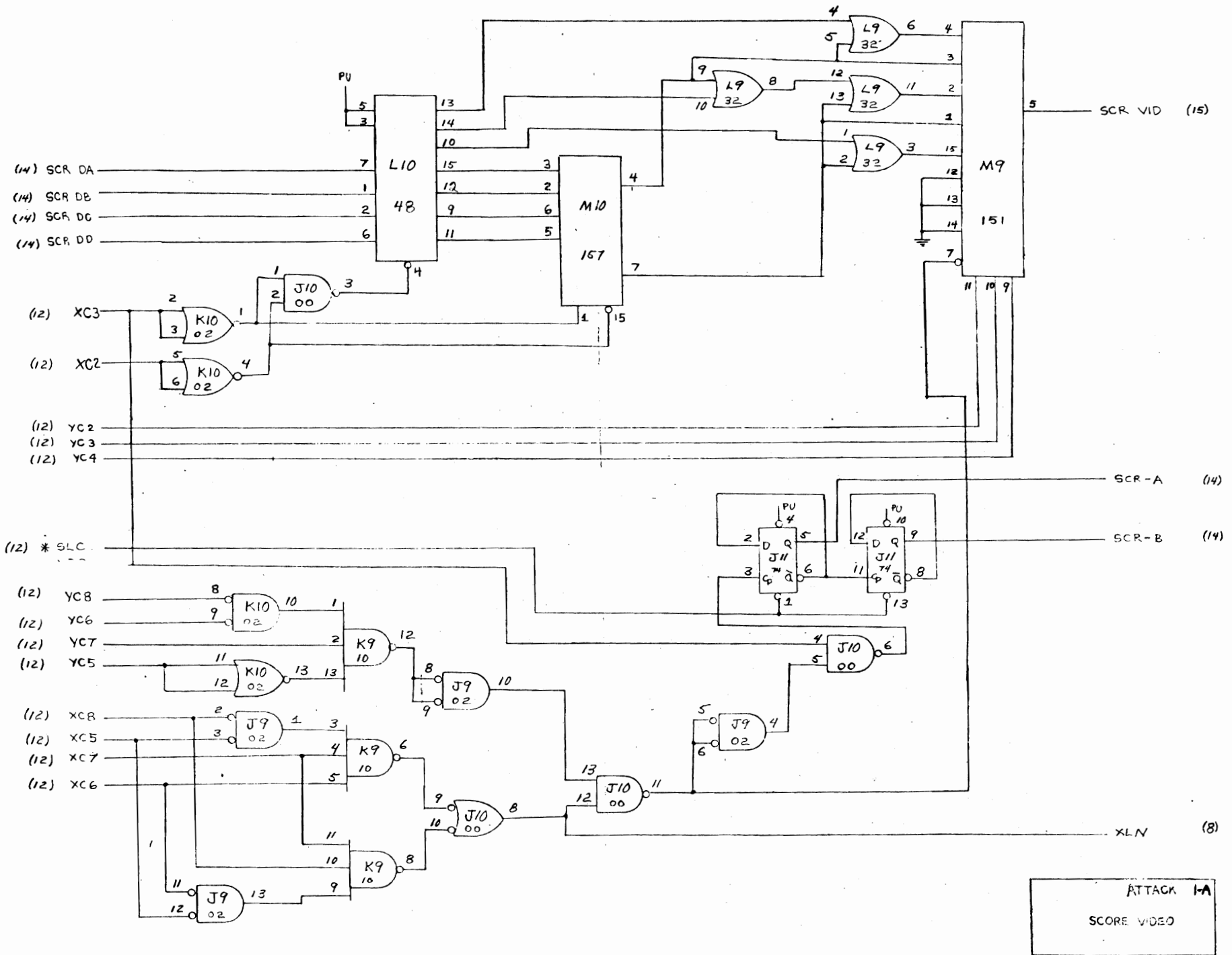
ATTACK 1-A  
SHIP BULLET COUNT



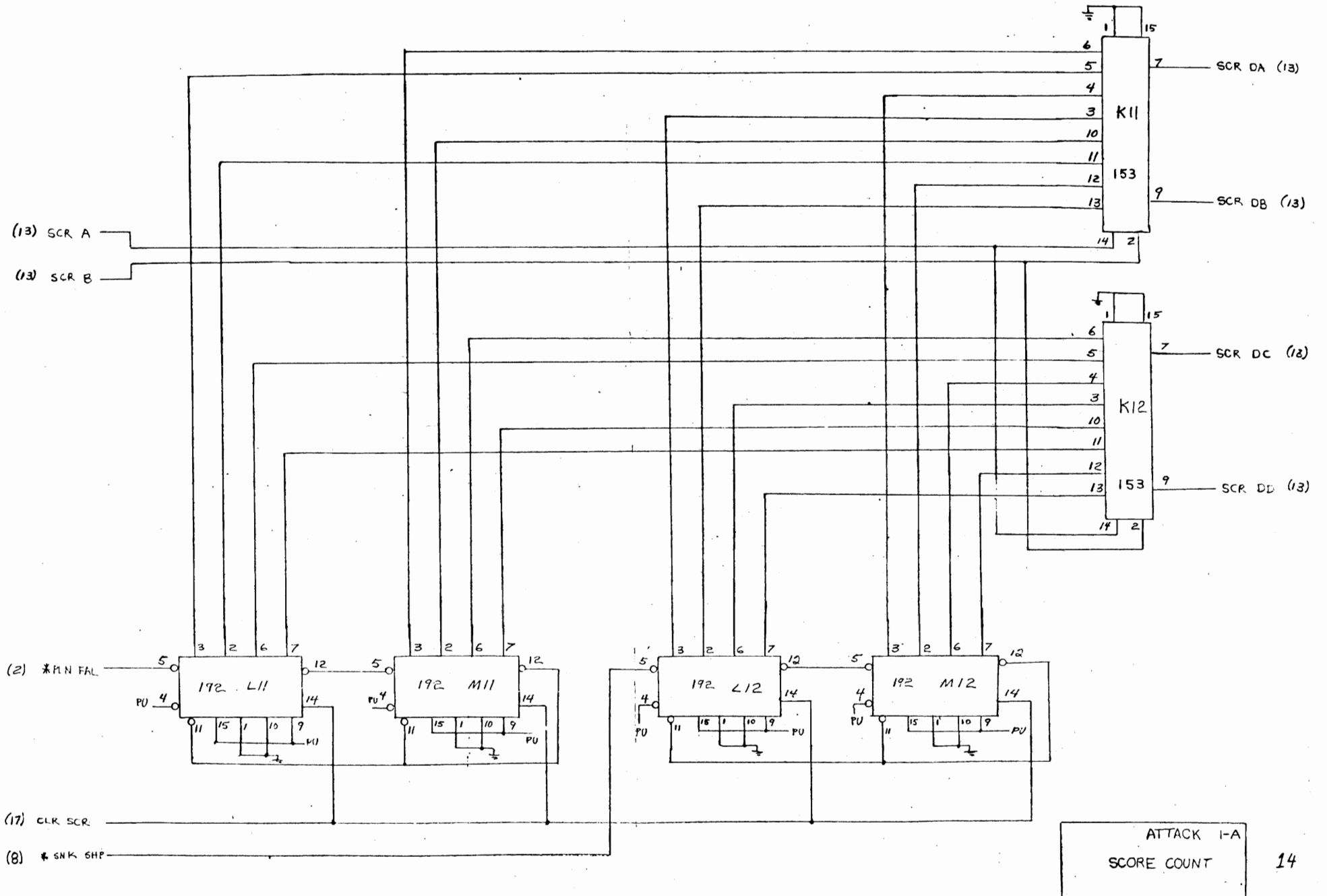
ATTACK 1-A  
SHIP X COUNT

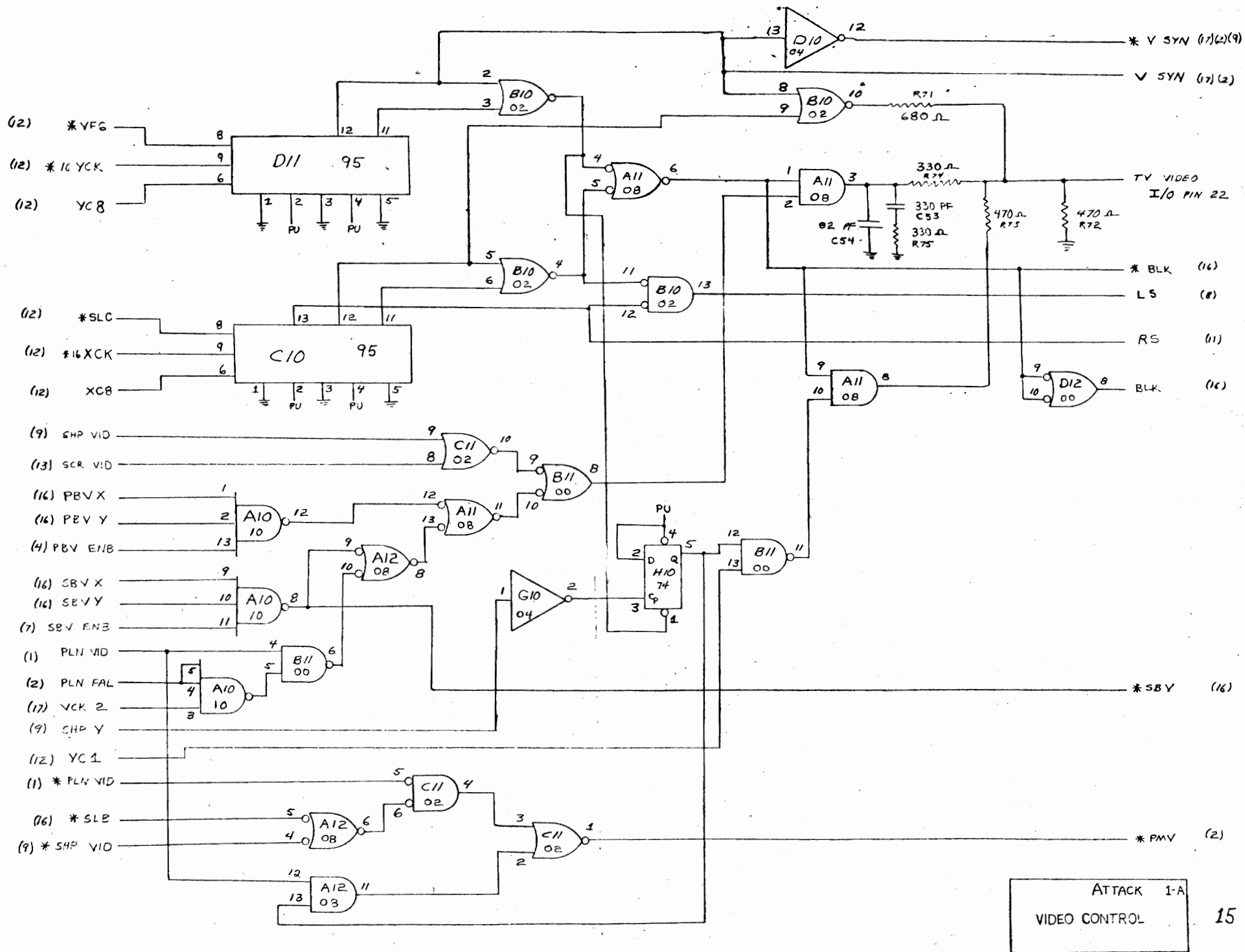


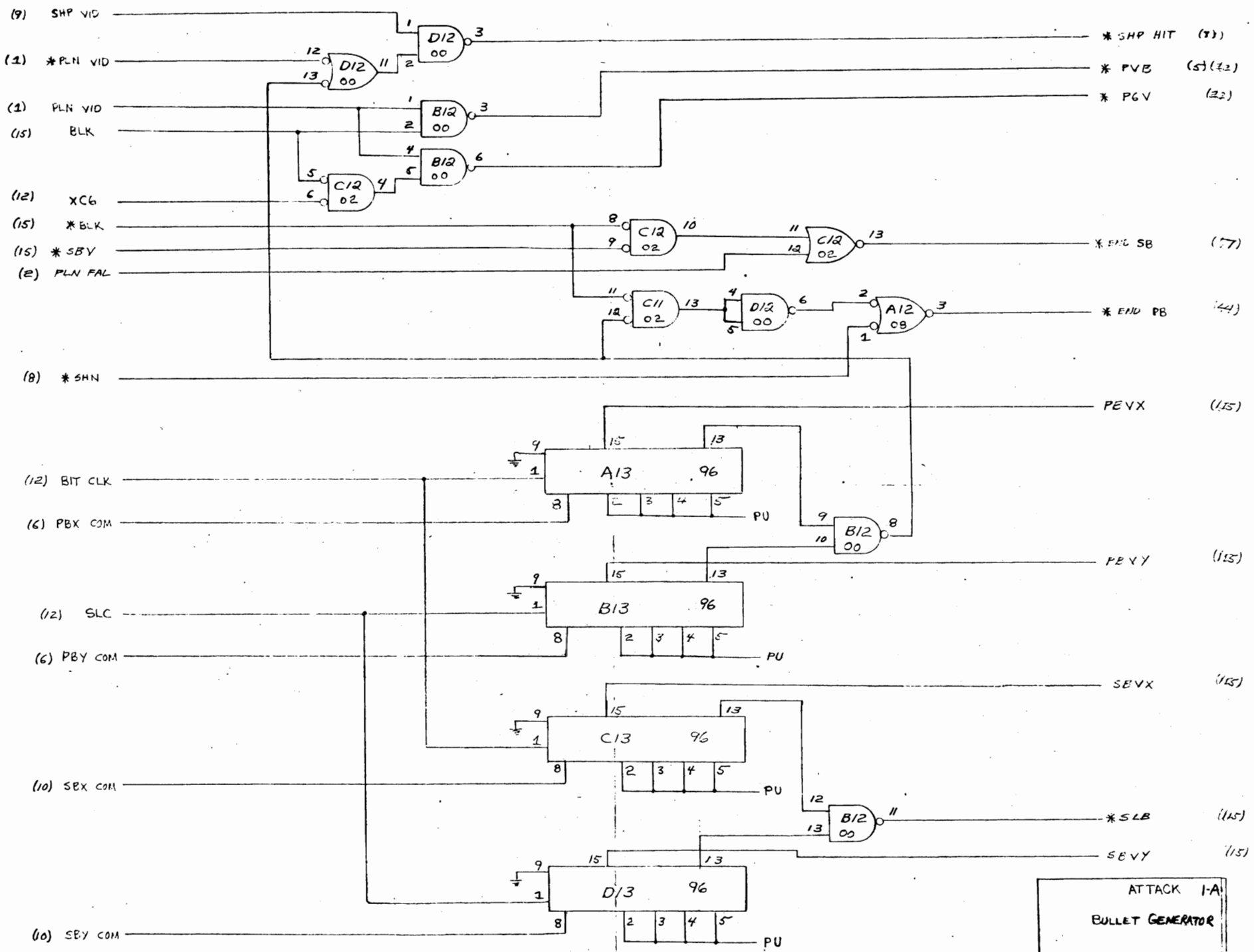
ATTACK 1-A  
TIMING













(17) CON LTH

