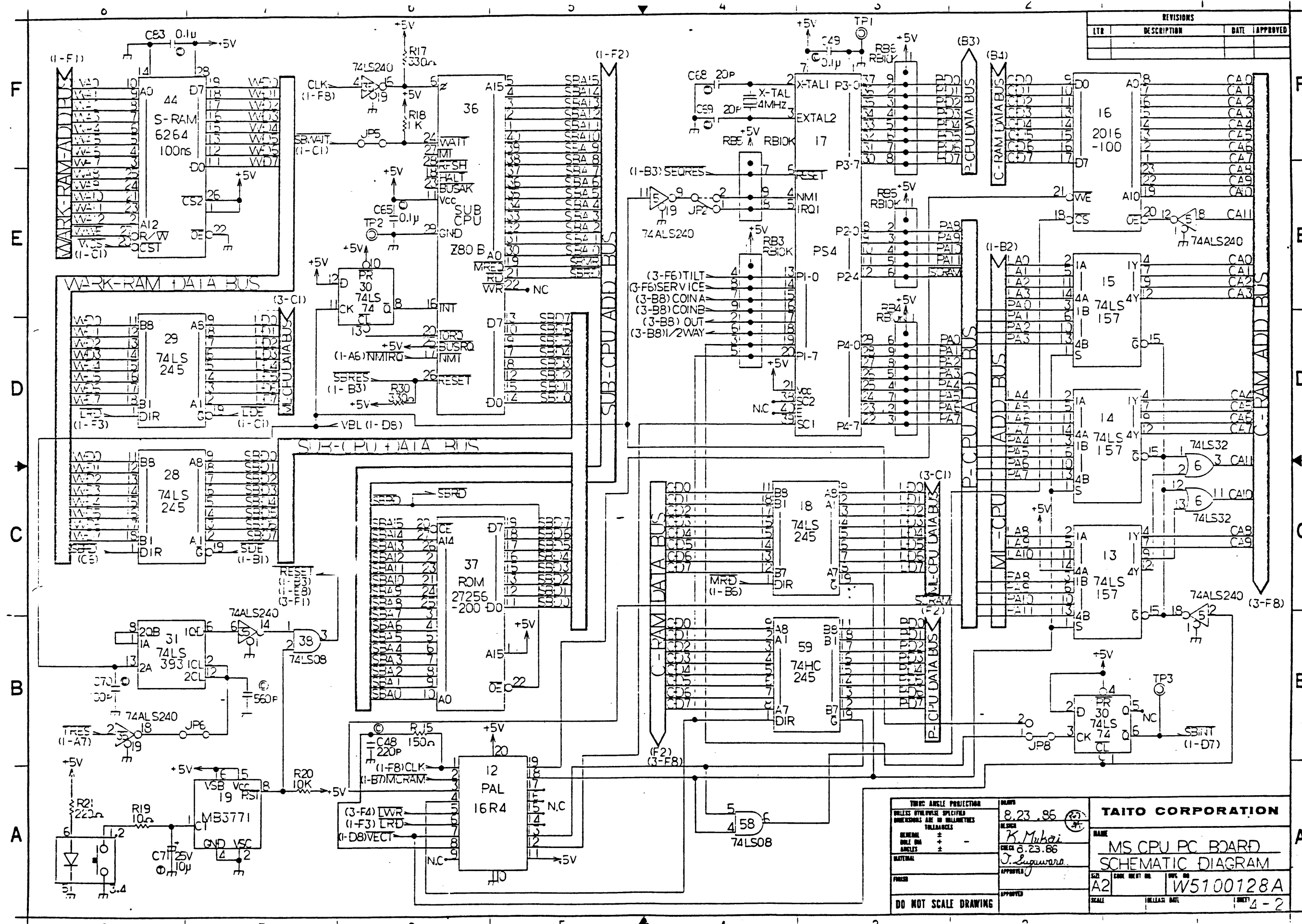


REVISIONS			
LTR	DESCRIPTION	DATE	APPROVED

MA0	(R-2)	(R-8)	MA6	(R-H)
MA1	(R-3)	(R-9)	MA7	(R-J)
MA2	(R-4)	(R-0)	MA8	(R-9)
MA3	(R-5)	(R-D)	MA9	(R-K)
MA4	(R-6)	(R-E)	MA10	
MA5	(R-7)	(R-F)	MA11	

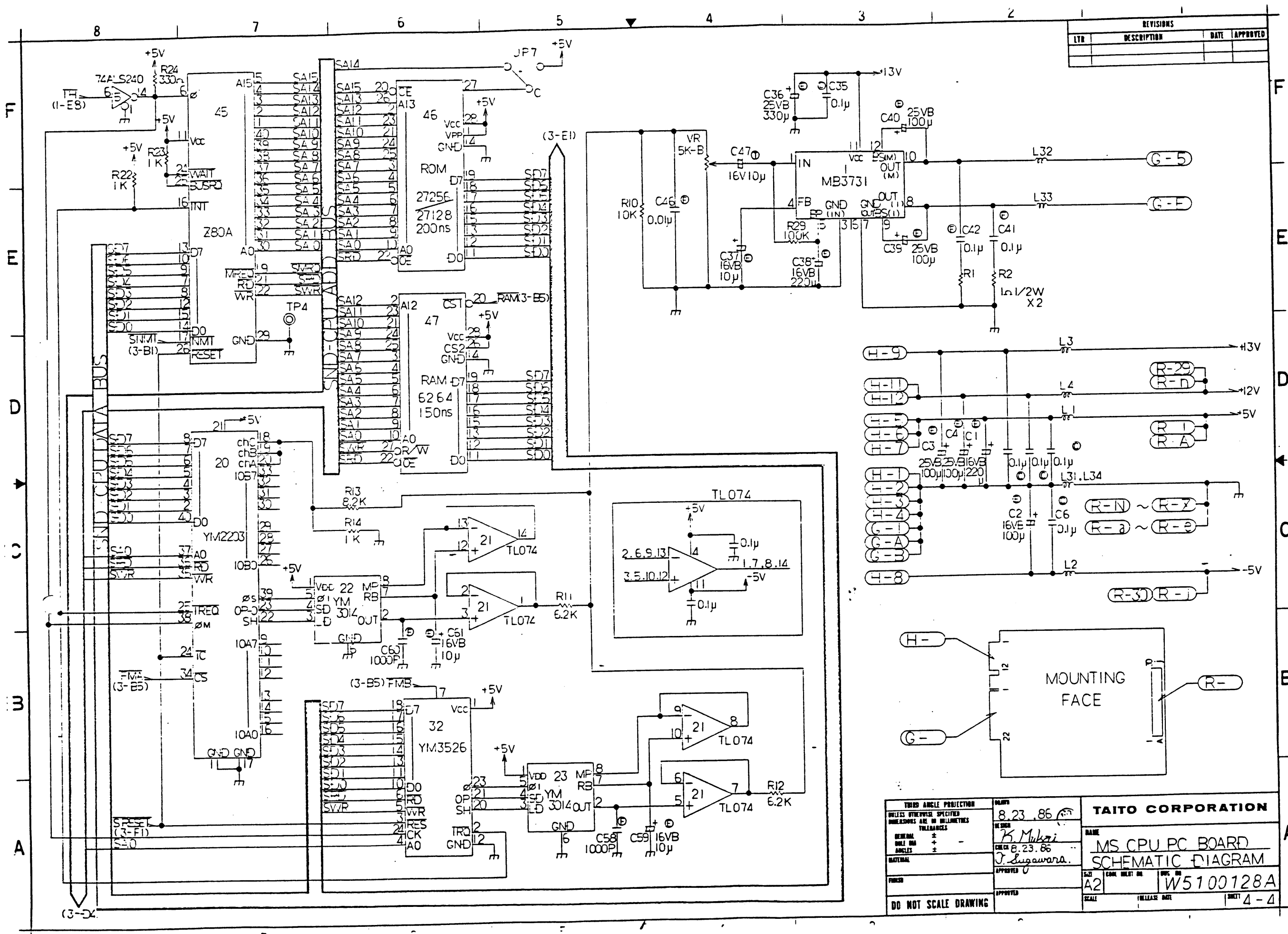
THIRD ANGLE PROJECTION		DATE
DIMENSIONS UNLESS OTHERWISE SPECIFIED		8.23.86
DIMENSIONS ARE IN MILLIMETERS		DESIGN
TOLERANCES		K. Maki
GENERAL	±	DATE
HOLE DIA	±	8.23.86
ANGLES	±	DESIGNER
		T. Sugawara
		APPROVED
DO NOT SCALE DRAWING		

J1100078A	
TAITO CORPORATION	
NAME	MS CPU PC BOARD
SCHEMATIC DIAGRAM	
SIZE	DATE
A2	W5100123A
SCALE	RELEASE DATE

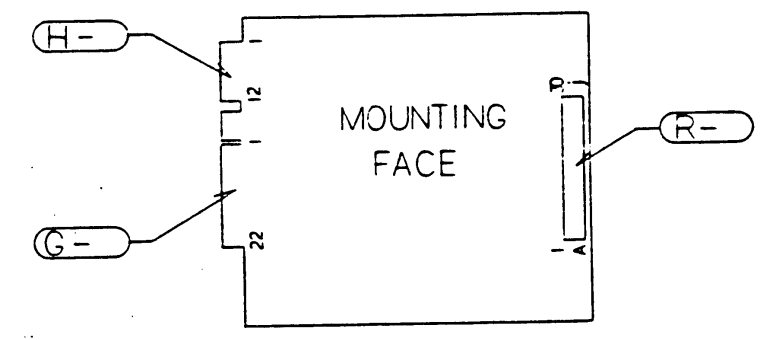
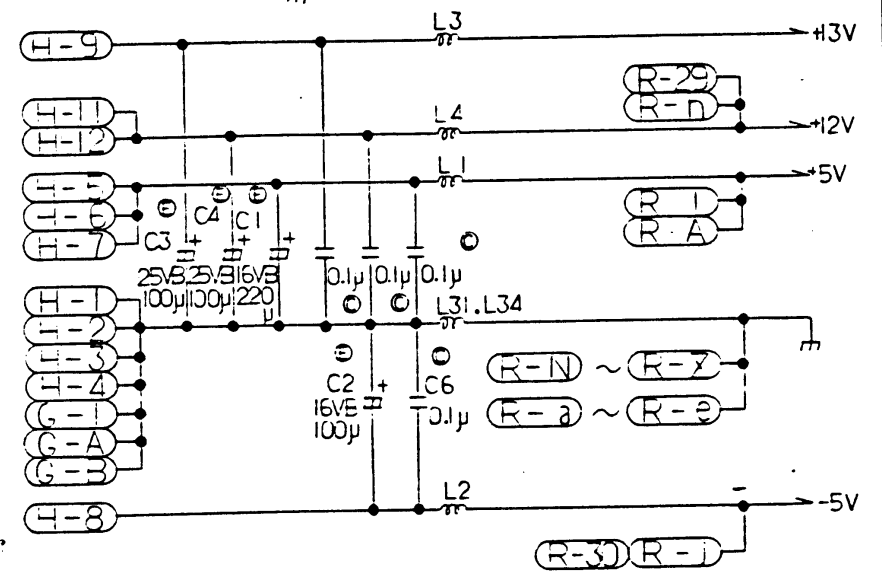


REVISIONS			
LT#	DESCRIPTION	DATE	APPROVED

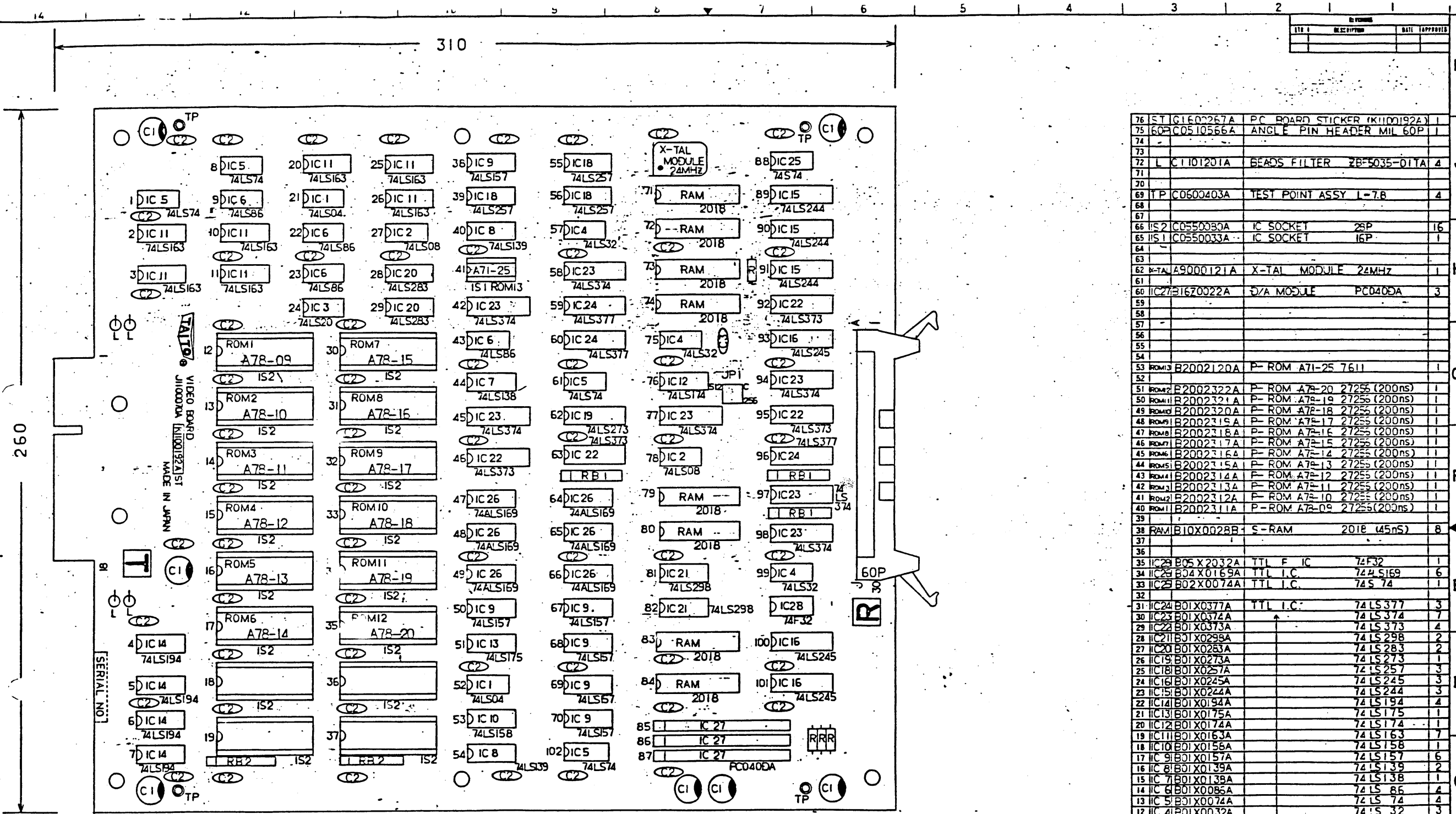
THUMB ANGLE PROJECTION UNLESS OTHERWISE SPECIFIED DIMENSIONS ARE IN MILLIMETERS TOLERANCES GENERAL ± HOLE DIA ± ANGLES ± MATERIAL FINISH DO NOT SCALE DRAWING	DATE 8.23.86 DESIGNED BY K. Mubai CHECKED BY J. Sugawara APPROVED BY APPROVED BY	TAITO CORPORATION NAME MS CPU PC BOARD SCHEMATIC DIAGRAM SIZE CODE SHEET NO. W5100128A SCALE 1:1 SHEET 4-2
------------------------------------------------------------------------------------------------------------------------------------------------------------------------------------------	----------------------------------------------------------------------------------------------	----------------------------------------------------------------------------------------------------------------------------------



REVISIONS			
LTN	DESCRIPTION	DATE	APPROVED



THIRD ANGLE PROJECTION UNLESS OTHERWISE SPECIFIED DIMENSIONS ARE IN MILLIMETRES TOLERANCES	DATE 8.23.86	TAITO CORPORATION	
GENERAL HOLE DIA ANGLES	BY K. Mukari	NAME MS CPU PC BOARD	
MATERIAL	CHECKED J. Sugawara	SCHEMATIC DIAGRAM	
FINISH	APPROVED	SHEET NO. A2	FILE NO. W5100128A
DO NOT SCALE DRAWING	APPROVED	SCALE	RELEASE DATE SHEET 4-4



NOTE1. SYMBOL MARK

- RES CARBON
- RES BLOCK
- COMMON
- CAP. ELEC. BLOCK
- CAP. CERAMIC

NOTE2. BEADS FILTER

HOW TO MOUNT

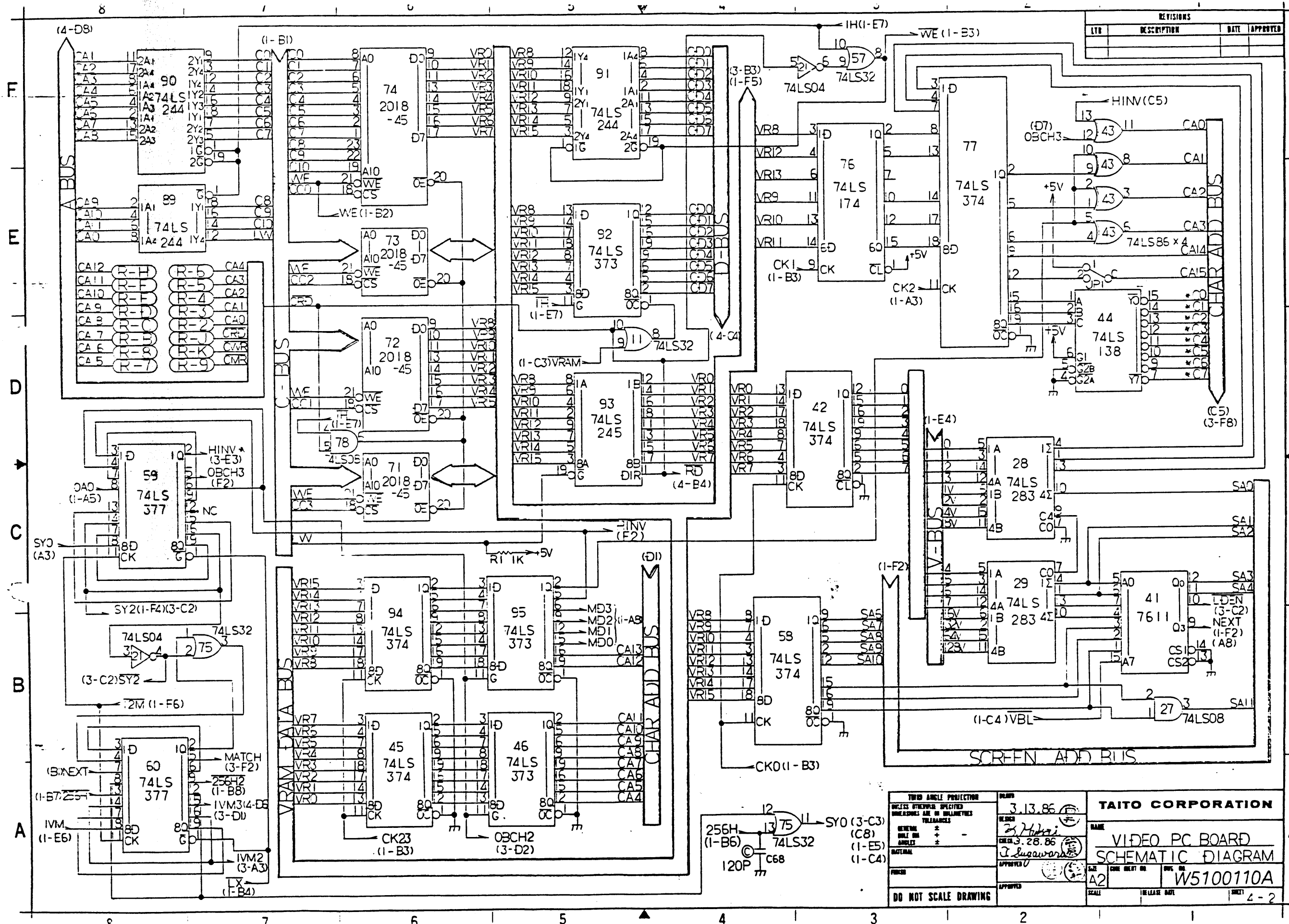
NOTE3. HYBRID. PC040DA

ITEM NO.	DESCRIPTION	QTY	REMARKS
76	ST GL60257A	1	PC BOARD STICKER (K1100192A)
75	60P C0510566A	1	ANGLE PIN HEADER MIL 60P
74			
73			
72	L C1101201A	4	BEADS FILTER ZB-5035-01TA
71			
70			
69	TP C0600403A	4	TEST POINT ASSY L-7R
68			
67			
66	HS2 C0550030A	16	IC SOCKET 28P
65	HS1 C0550033A	1	IC SOCKET 16P
64			
63			
62	X-TAL A9000121A	1	X-TAL MODULE 24MHZ
61			
60	IC27 B1670022A	3	D/A MODULE PC040DA
59			
58			
57			
56			
55			
54			
53	ROM3 B2002120A	1	P- ROM A71-25 7611
52			
51	ROM2 B2002322A	1	P- ROM A7R-20 27255 (200ns)
50	ROM11 B2002321A	1	P- ROM A7R-19 27255 (200ns)
49	ROM10 B2002320A	1	P- ROM A7R-18 27255 (200ns)
48	ROM9 B2002319A	1	P- ROM A7R-17 27255 (200ns)
47	ROM8 B2002318A	1	P- ROM A7R-16 27255 (200ns)
46	ROM7 B2002317A	1	P- ROM A7R-15 27255 (200ns)
45	ROM6 B2002316A	1	P- ROM A7R-14 27255 (200ns)
44	ROM5 B2002315A	1	P- ROM A7R-13 27255 (200ns)
43	ROM4 B2002314A	1	P- ROM A7R-12 27255 (200ns)
42	ROM3 B2002313A	1	P- ROM A7R-11 27255 (200ns)
41	ROM2 B2002312A	1	P- ROM A7R-10 27255 (200ns)
40	ROM1 B2002311A	1	P- ROM A7R-09 27255 (200ns)
39			
38	RAM B10X0028B	8	S- RAM 2018 (45nS)
37			
36			
35	IC29 B05X2032A	1	TTL F IC 74F32
34	IC28 B04X0169A	6	TTL I.C. 74LS169
33	IC25 B02X0074A	1	TTL I.C. 74LS74
32			
31	IC24 B01X0377A	3	TTL I.C. 74LS377
30	IC23 B01X0374A	7	74LS374
29	IC22 B01X0373A	4	74LS373
28	IC21 B01X0298A	2	74LS298
27	IC20 B01X0263A	2	74LS263
26	IC19 B01X0273A	1	74LS273
25	IC18 B01X0257A	3	74LS257
24	IC16 B01X0245A	3	74LS245
23	IC15 B01X0244A	3	74LS244
22	IC14 B01X0194A	4	74LS194
21	IC13 B01X0175A	1	74LS175
20	IC12 B01X0174A	1	74LS174
19	IC11 B01X0163A	7	74LS163
18	IC10 B01X0156A	1	74LS156
17	IC9 B01X0157A	6	74LS157
16	IC8 B01X0139A	2	74LS139
15	IC7 B01X0138A	1	74LS138
14	IC6 B01X0086A	4	74LS86
13	IC5 B01X0074A	4	74LS74
12	IC4 B01X0032A	3	74LS32
11	IC3 B01X0020A	1	74LS20
10	IC2 B01X0006A	2	74LS06
9	IC1 B01X0004A	2	TTL I.C. 74LS04
8	RB21 A2231069A	2	RES BLOCK 10K95
7	RB11 A2231065A	3	RES BLOCK 1K95
6	TR A2000065A	4	RES CARBON 1K \pm 1%W \pm 5%
5	IC3 A1200247A	1	CAP CERAMIC 50V 120p
4	IC2 A1200123A	1	CAP CERAMIC 25V 100000p
3	CI1 A1000135A	7	ELEC BLOCK 16V 220
2			
1	J1100070A	1	VIDEO PCB (260x310)

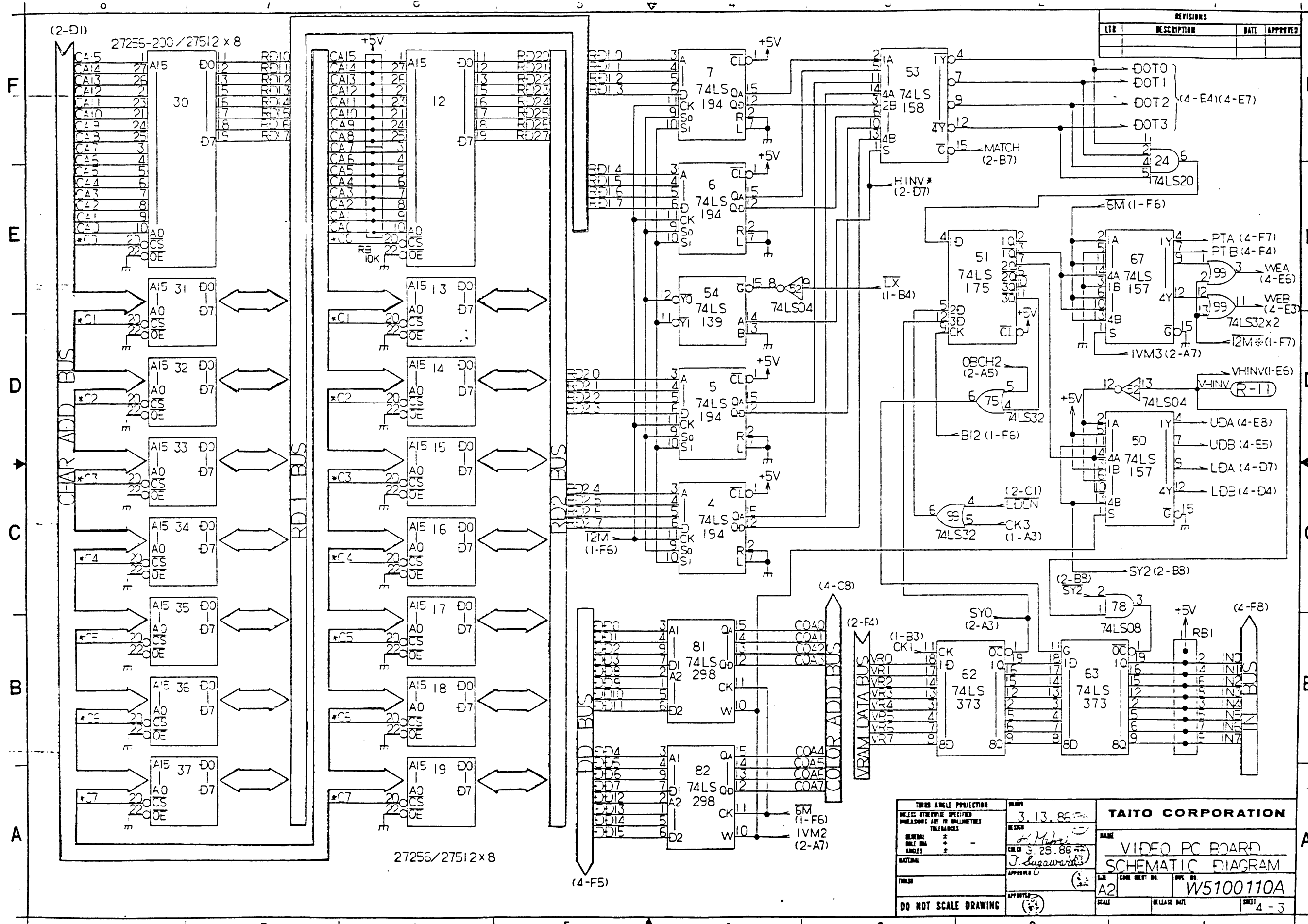
PARTS LIST

TAITO CORPORATION
VIDEO PC BOARD ASSY
K1100192A

DATE: 8.22.86
DRAWN: [Signature]
CHECKED: [Signature]



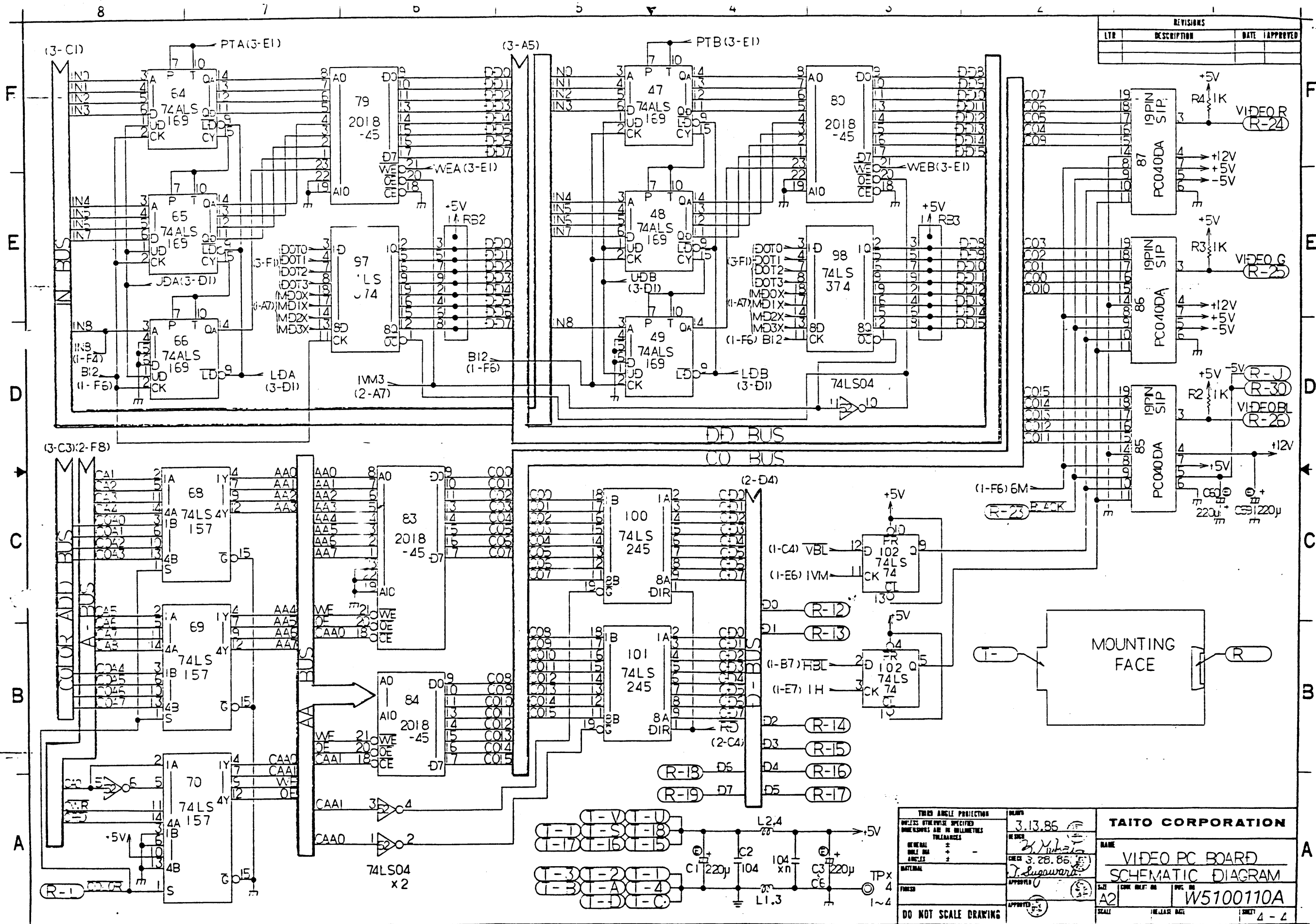
REVISIONS			
LT#	DESCRIPTION	DATE	APPROVED



THIRD ANGLE PROJECTION	DATE
UNLESS OTHERWISE SPECIFIED DIMENSIONS ARE IN MILLIMETERS TOLERANCES	3.13.85
GENERAL	DESIGNER
DRAWN	3.28.85
FILE	APPROVED
DO NOT SCALE DRAWING	

TAITO CORPORATION	
NAME	
VIDEO PC BOARD	
SCHEMATIC DIAGRAM	
SHEET NO.	REV. NO.
A2	W5100110A
SCALE	SHEET NO.
	4-3

REVISIONS		
LTN	DESCRIPTION	DATE APPROVED



TWO ANGLE PROJECTION		DATE
UNLESS OTHERWISE SPECIFIED		3.13.86
DIMENSIONS ARE IN MILLIMETERS		
TOLERANCES		
GENERAL	±	
HOLE DIA	±	
ANGLES	±	
NATIONAL		
FINISH		
DO NOT SCALE DRAWING		

TAITO CORPORATION	
NAME	VIDEO PC BOARD
	SCHEMATIC DIAGRAM
SIZE	W5100110A
SCALE	