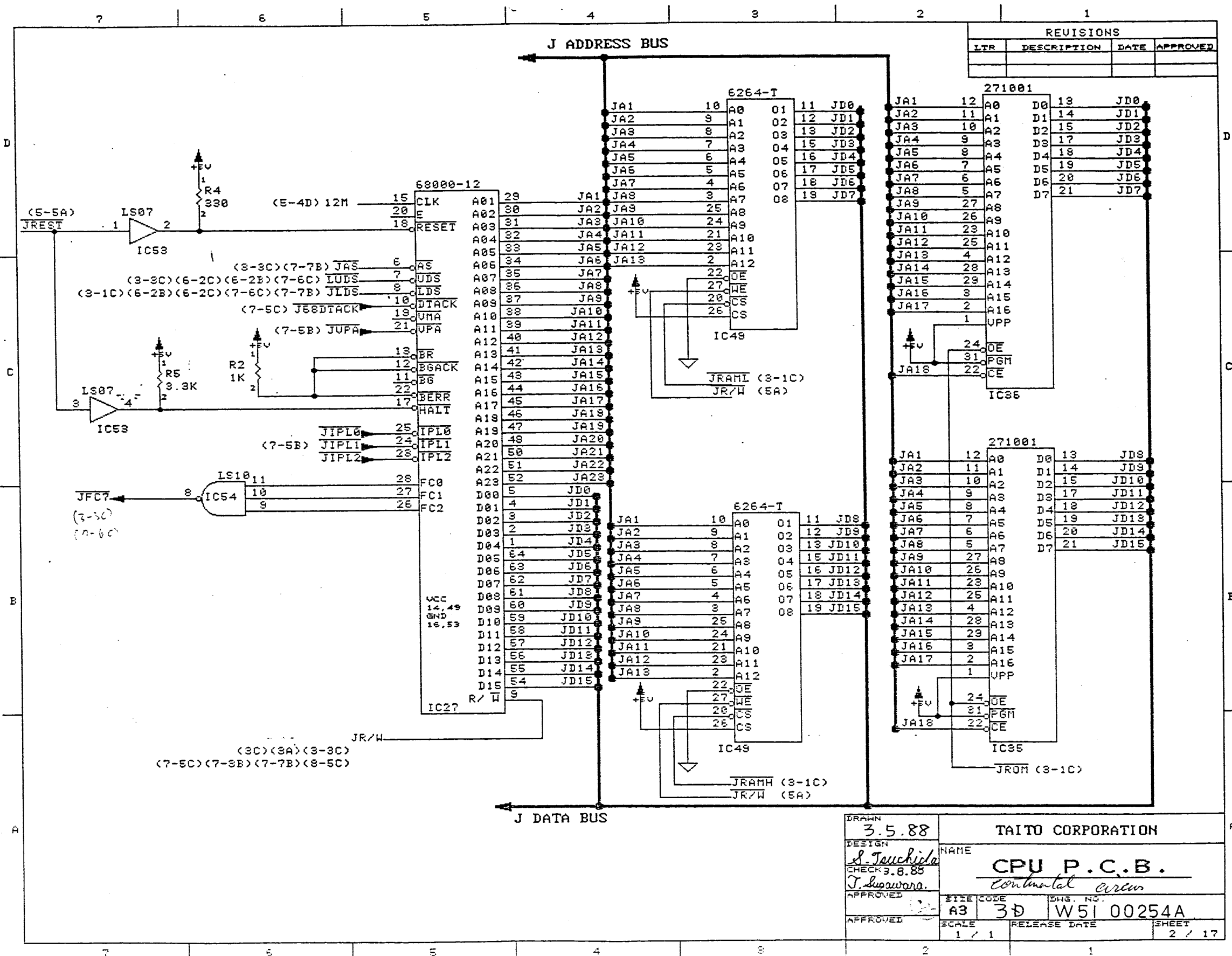


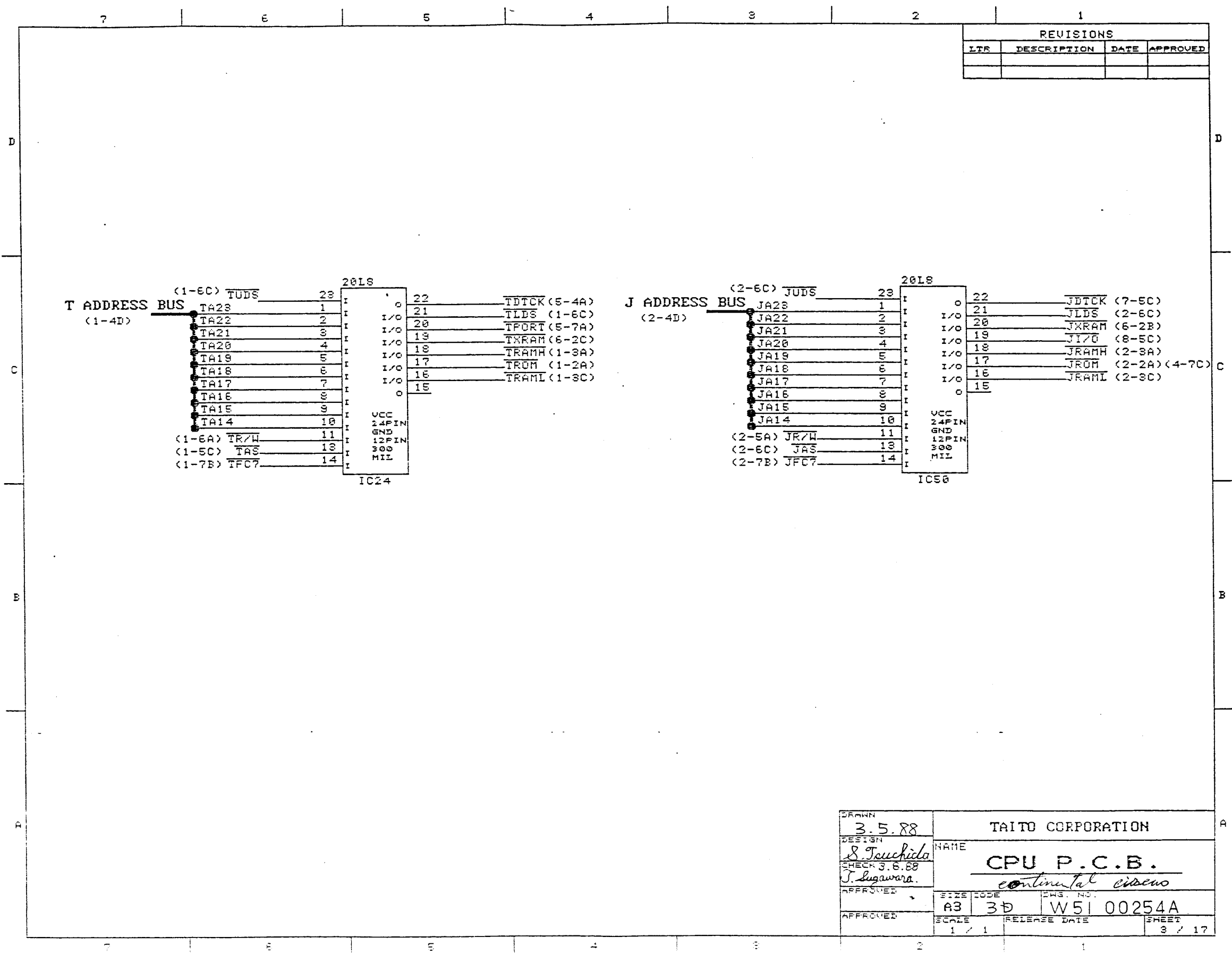
DRAWN 3.5.88
 DESIGN S. Touchida
 CHECK 5.8.88 J. Sugawara
 APPROVED

TAITO CORPORATION
 NAME CPU P.C.B.
 SIZE CODE A3 3D
 DWS. NO. W51 00254A
 SCALE 1/1
 RELEASE DATE
 SHEET 1/17

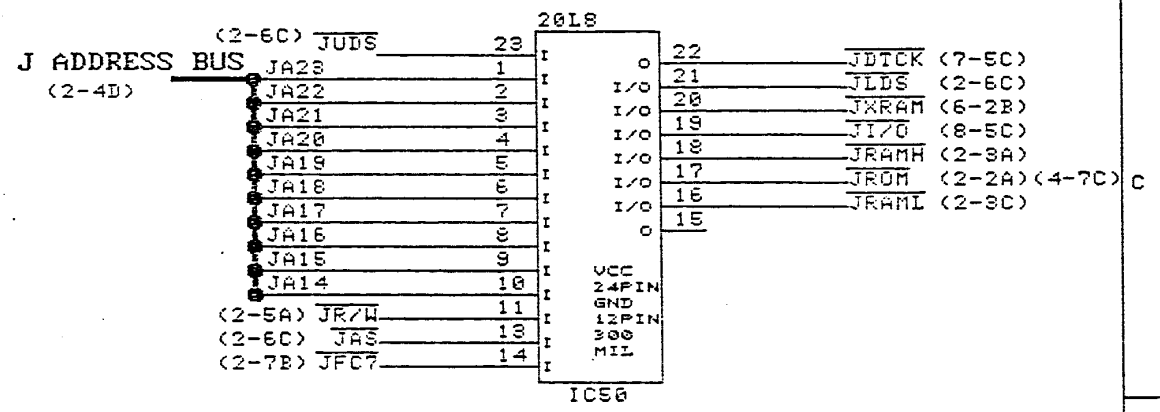
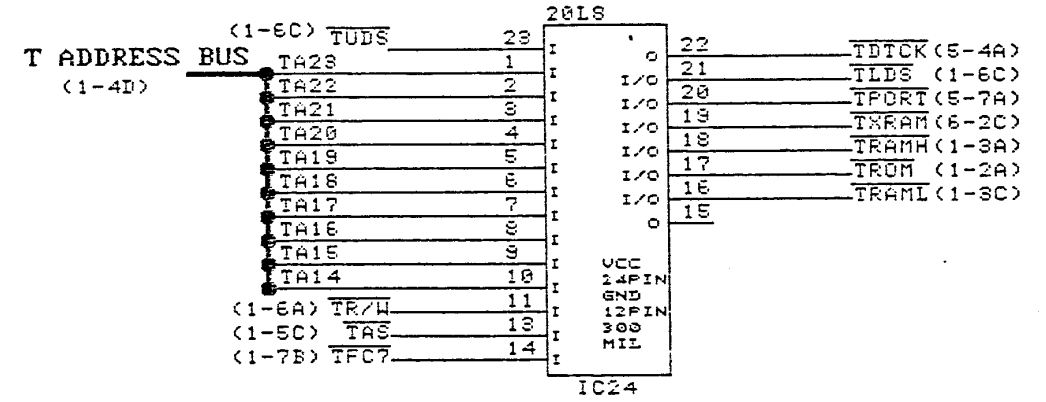
J1100138A



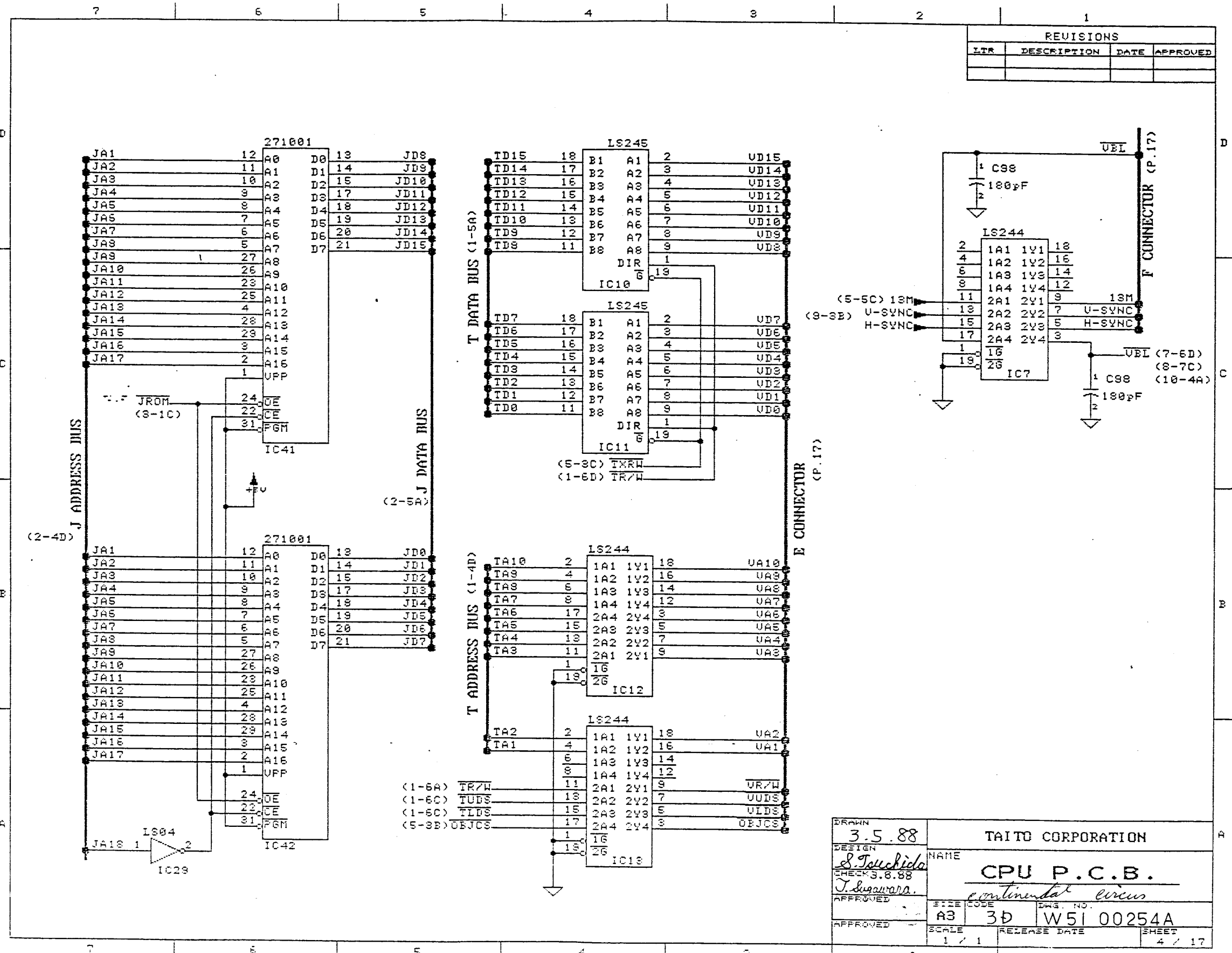
DRAWN 3.5.88	TAITO CORPORATION	
DESIGN <i>S. Tsuchida</i>	NAME CPU P.C.B.	
CHECK <i>T. Suwara</i>	<i>combinational circuit</i>	
APPROVED 	SIZE CODE A3 3D	DWS. NO. W51 00254A
APPROVED 	SCALE 1 / 1	RELEASE DATE 2 / 17



REVISIONS			
LTR	DESCRIPTION	DATE	APPROVED

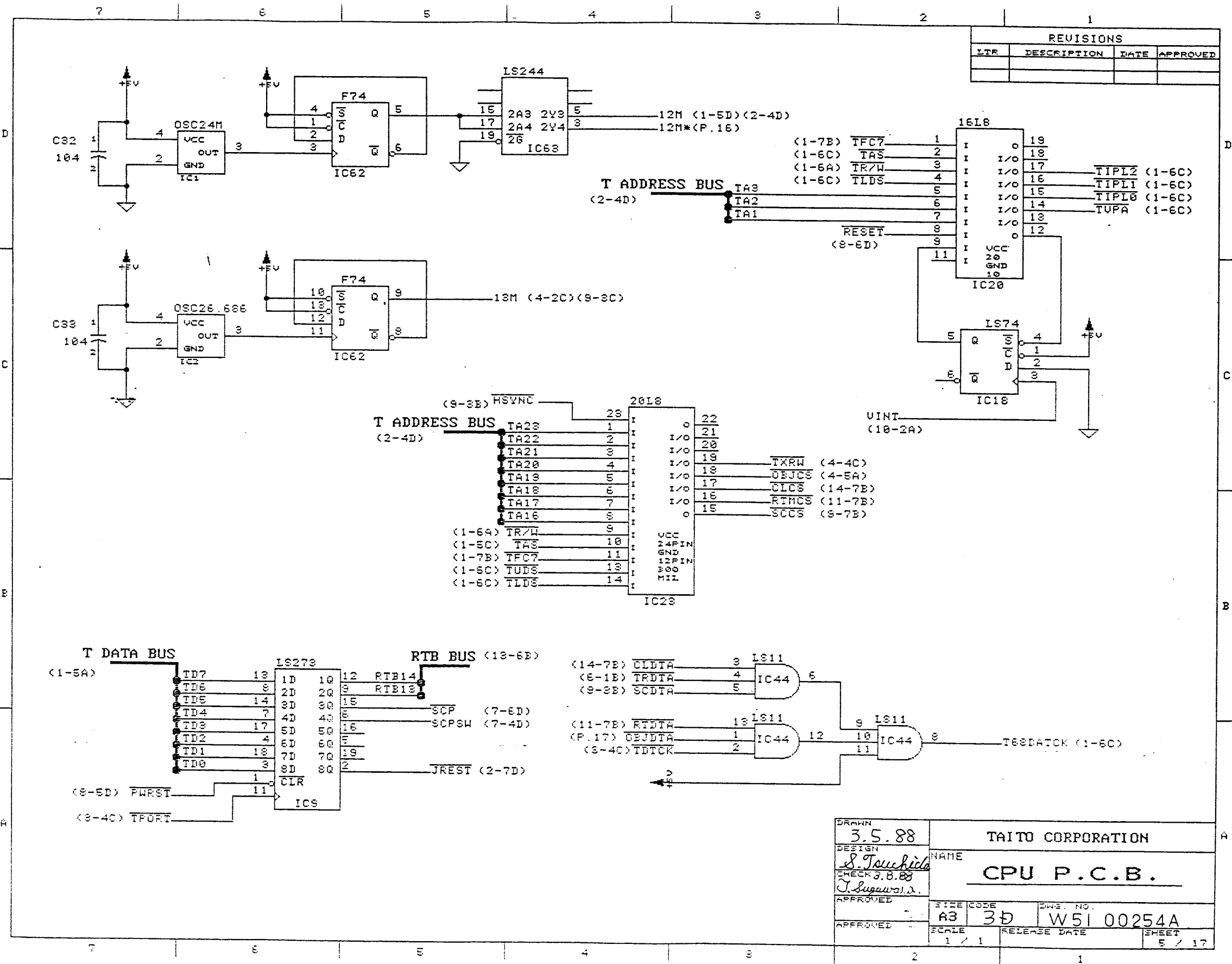


DRAWN 3.5.88	TAITO CORPORATION		
DESIGN <i>S. Tsuchida</i>	NAME	CPU P.C.B.	
CHECK 3.6.88 <i>J. Sugawara</i>	<i>continental ciseno</i>		
APPROVED	SIZE CODE A3	DWG. NO. 3D W51 00254A	
APPROVED	SCALE 1 / 1	RELEASE DATE	SHEET 3 / 17



REVISIONS			
ITR	DESCRIPTION	DATE	APPROVED

DRAWN 3.5.88	TAITO CORPORATION		
DESIGN <i>S. Tsuchida</i>	NAME CPU P.C.B.		
CHECKS 3.8.88 <i>T. Sugawara</i>	DRAWING NO. <i>continental circus</i>		
APPROVED	SIZE A3	CODE 3D	DWG. NO. W51 00254A
APPROVED	SCALE 1 / 1	RELEASE DATE	SHEET 4 / 17

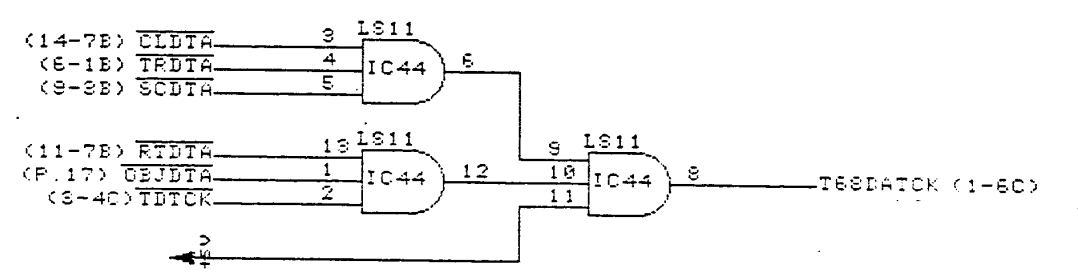


REVISIONS			
LTR	DESCRIPTION	DATE	APPROVED

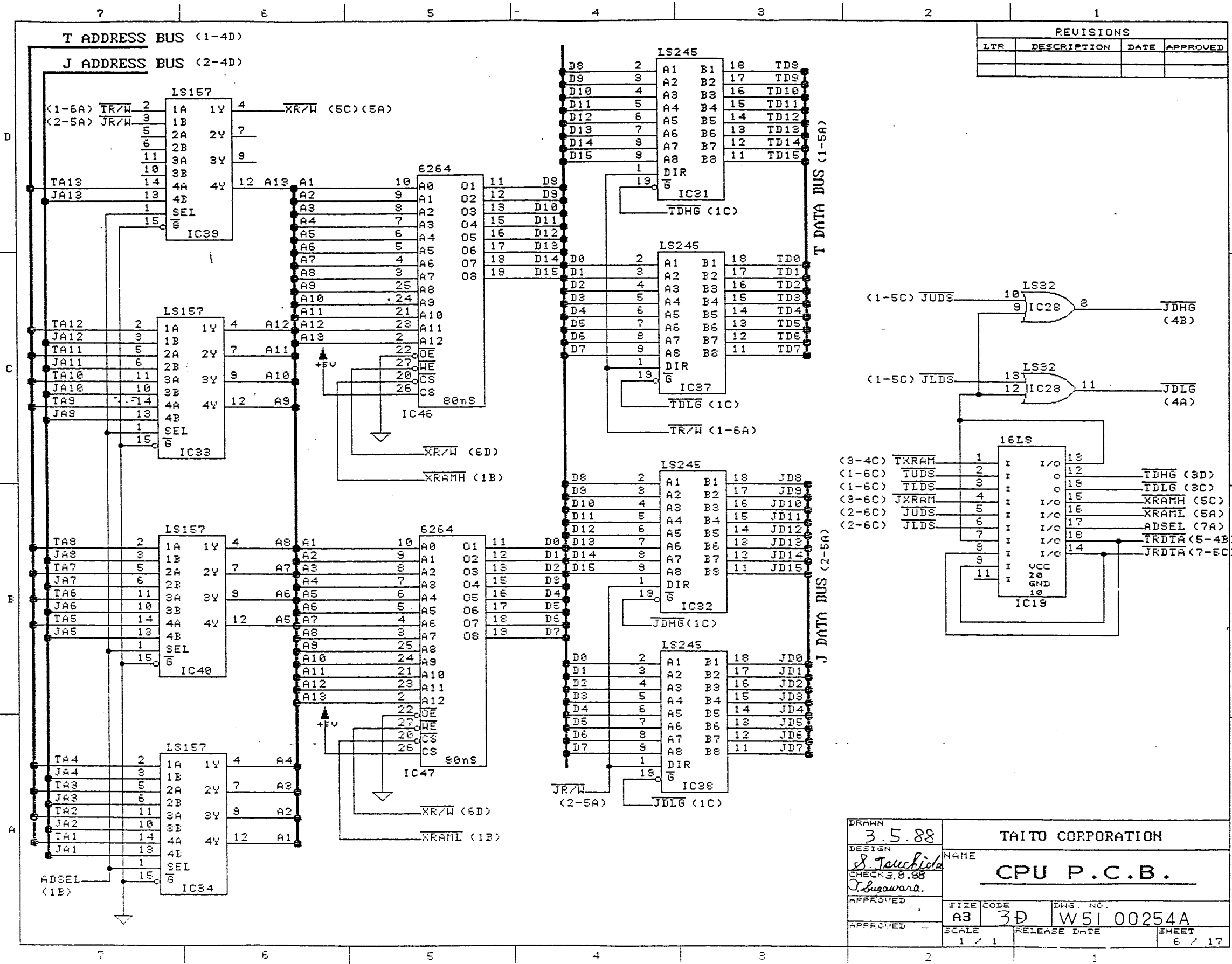
(1-7B) TFC7	1	I	19	
(1-6C) TAS	2	I	18	
(1-6A) TR7H	3	I	17	
(1-6C) TLDS	4	I	16	TIPL2 (1-6C)
	5	I	15	TIPL1 (1-6C)
	6	I	14	TIPL0 (1-6C)
	7	I	13	TUPA (1-6C)
	8	I	12	
	9	I	11	
	10	I	10	
	11	I	9	
	12	I	8	
	13	I	7	
	14	I	6	
	15	I	5	
	16	I	4	
	17	I	3	
	18	I	2	
	19	I	1	

(9-3B) HSYNC	23	I	22	
T ADDRESS BUS (2-4D)	22	I	21	
	21	I	20	
	20	I	19	TXRW (4-4C)
	19	I	18	OBJCS (4-5A)
	18	I	17	CLCS (14-7B)
	17	I	16	RTMCS (11-7B)
	16	I	15	SCCS (9-7B)
	15	I	14	
	14	I	13	
(1-6A) TR7H	13	I	12	
(1-5C) TAS	12	I	11	
(1-7B) TFC7	11	I	10	
(1-5C) TLDS	10	I	9	
(1-6C) TLDS	9	I	8	
	8	I	7	
	7	I	6	
	6	I	5	
	5	I	4	
	4	I	3	
	3	I	2	
	2	I	1	
	1	I	0	

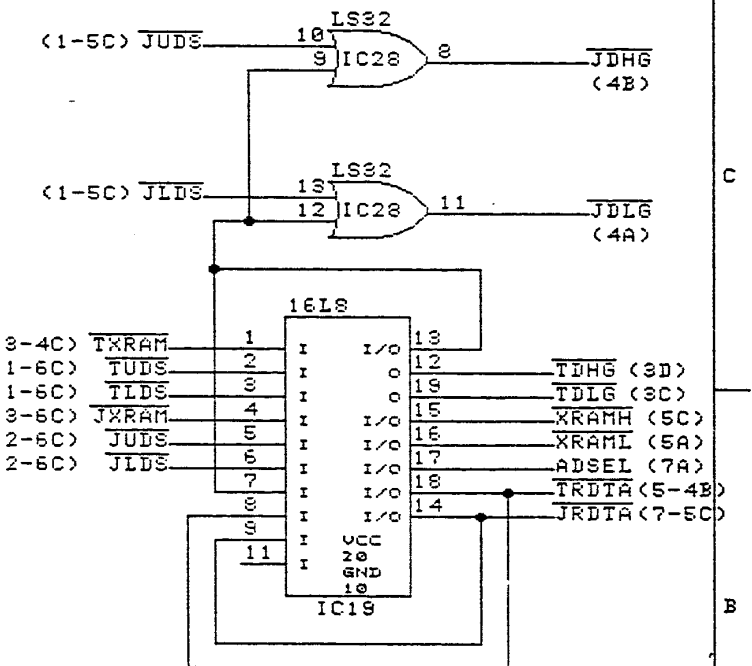
T DATA BUS (1-5A)	13	I	12	RTB14
	12	I	11	RTB13
	11	I	10	
	10	I	9	
	9	I	8	SCP (7-6D)
	8	I	7	SCPSW (7-4D)
	7	I	6	
	6	I	5	
	5	I	4	
	4	I	3	
	3	I	2	JREST (2-7D)
	2	I	1	
(8-5D) PWRST	11	I	10	
(8-4C) TPORT	10	I	9	
	9	I	8	
	8	I	7	
	7	I	6	
	6	I	5	
	5	I	4	
	4	I	3	
	3	I	2	
	2	I	1	
	1	I	0	



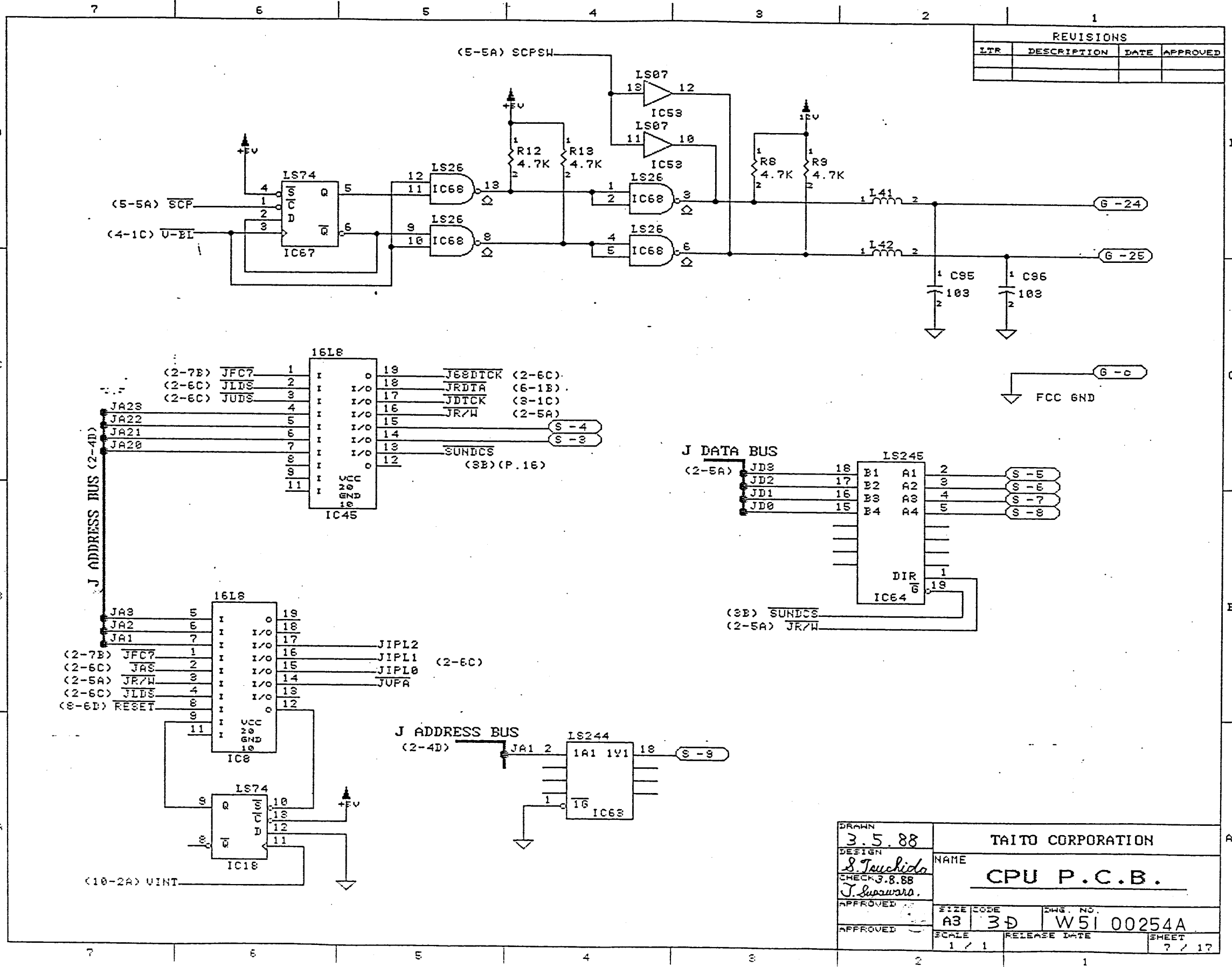
DRWN	3.5.88	TAITO CORPORATION	
DESIGN	S. Touchida	NAME	
CHECK	3.8.88	CPU P.C.B.	
APPROVED	J. Sugawara	SIZE CODE	DWG. NO.
		A3	3D W51 00254A
APPROVED		SCALE	RELEASE DATE
		1 / 1	
			SHEET
			5 / 17



REVISIONS			
LTR	DESCRIPTION	DATE	APPROVED

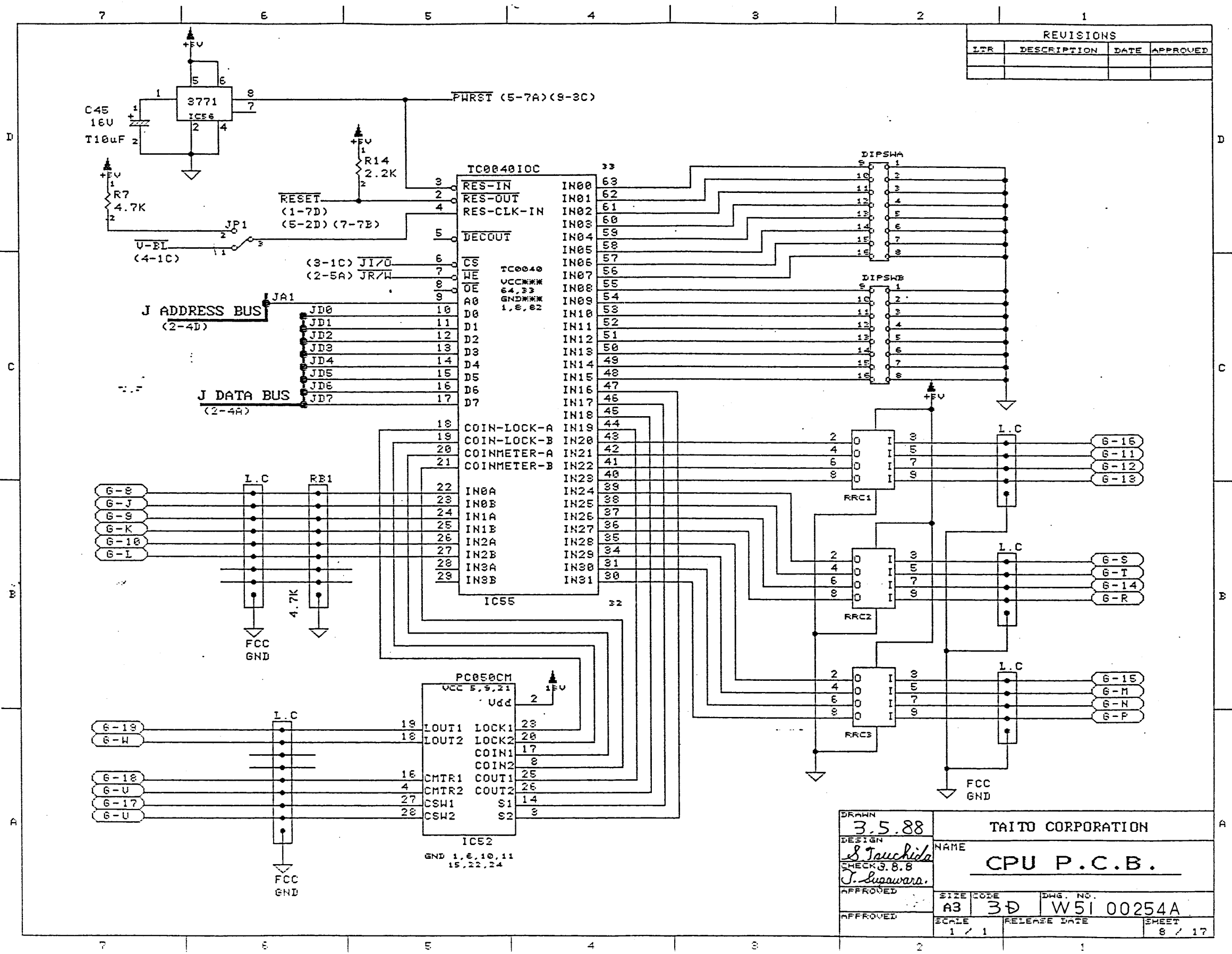


DRAWN 3.5.88	TAITO CORPORATION		
DESIGN S. Tsuchida	NAME CPU P.C.B.		
CHECKED S. Sugawara	SIZE CODE A3	DWG. NO. W51 00254A	SHEET 6 / 17
APPROVED	SCALE 1 / 1	RELEASE DATE	



REVISIONS			
LTR	DESCRIPTION	DATE	APPROVED

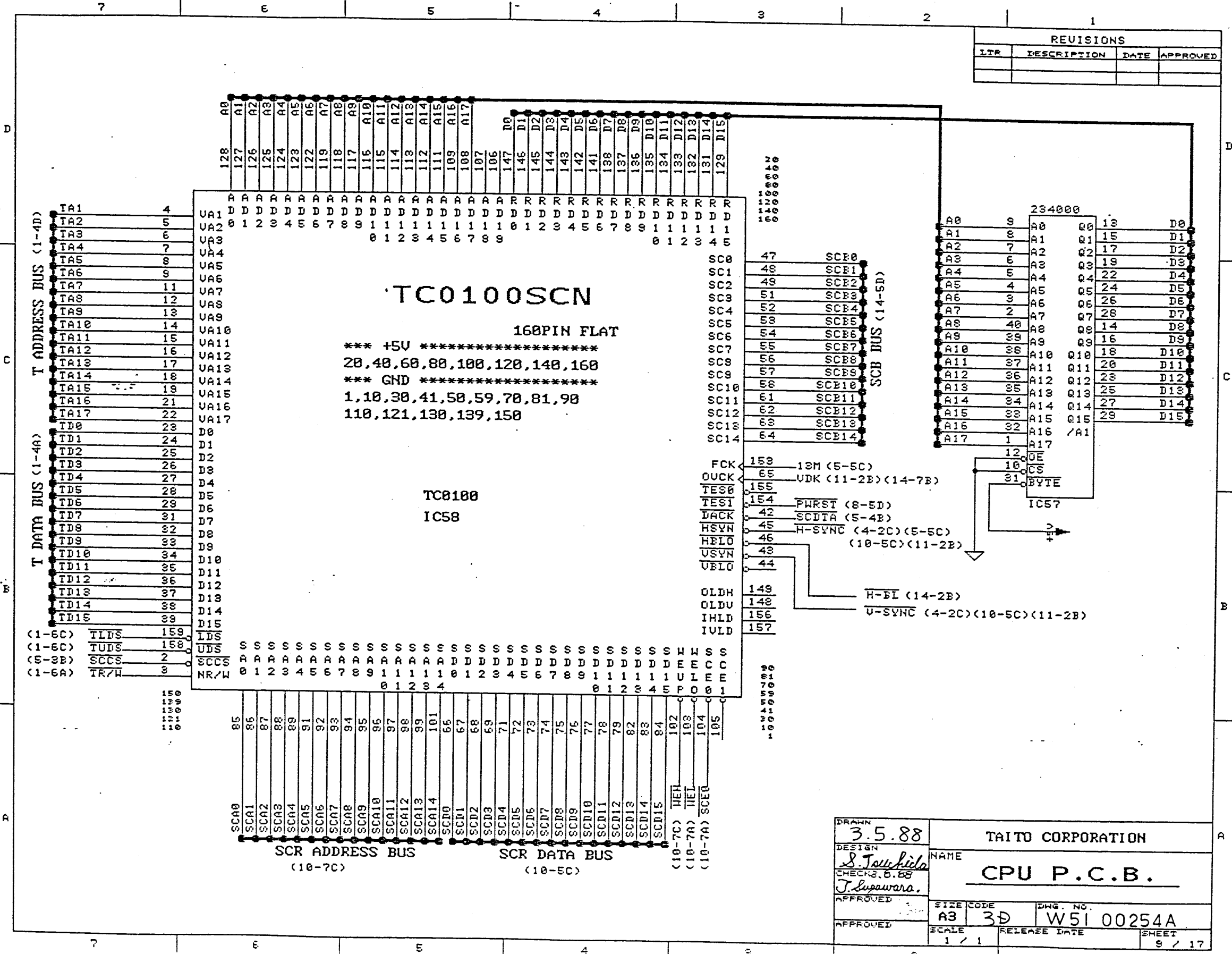
DRAWN 3.5.88 DESIGN <i>S. Tsuchida</i> CHECK 3.8.88 <i>T. Suwara</i> APPROVED 	TAITO CORPORATION NAME CPU P.C.B.
APPROVED 	SIZE CODE A3 3D
APPROVED 	DWG. NO. W51 00254A
SCALE 1 / 1	RELEASE DATE 7 / 17



REVISIONS			
LTR	DESCRIPTION	DATE	APPROVED

DRAWN 3.5.88	TAITO CORPORATION		
DESIGN <i>S. Tauchida</i>	NAME CPU P.C.B.		
CHECK 3.8.8	SIZE CODE A3 3D	DWG. NO. W51 00254A	
APPROVED <i>J. Supawara</i>	SCALE 1 / 1	RELEASE DATE	SHEET 8 / 17

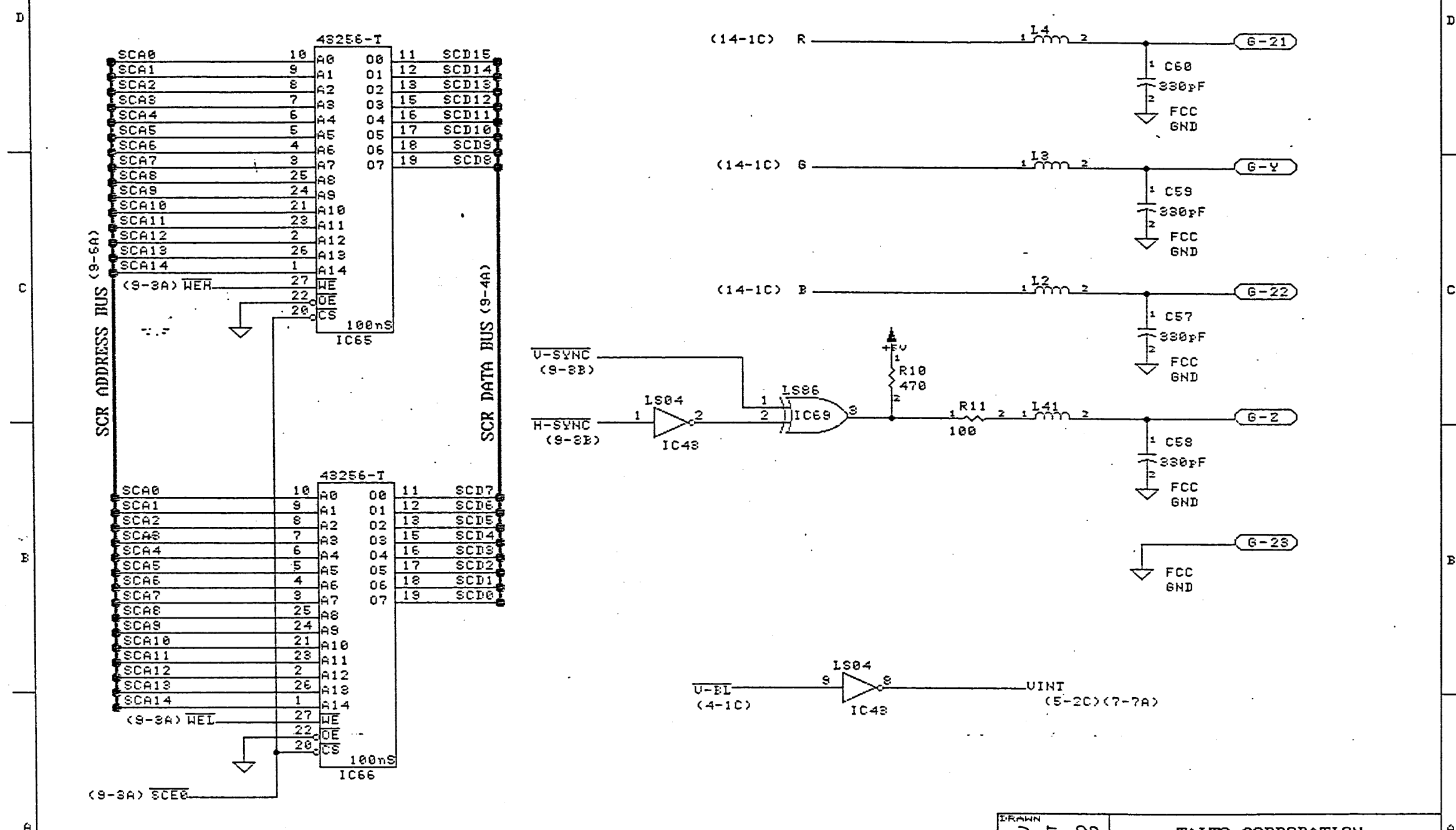
REVISIONS			
LTR	DESCRIPTION	DATE	APPROVED



DRAWN 3.5.88	TAITO CORPORATION	
DESIGN S. Tsuchida	NAME CPU P.C.B.	
CHECKED J. Sugawara	SIZE CODE A3 3D	DWG. NO. W51 00254A
APPROVED	SCALE 1 / 1	RELEASE DATE
APPROVED	SHEET 9 / 17	

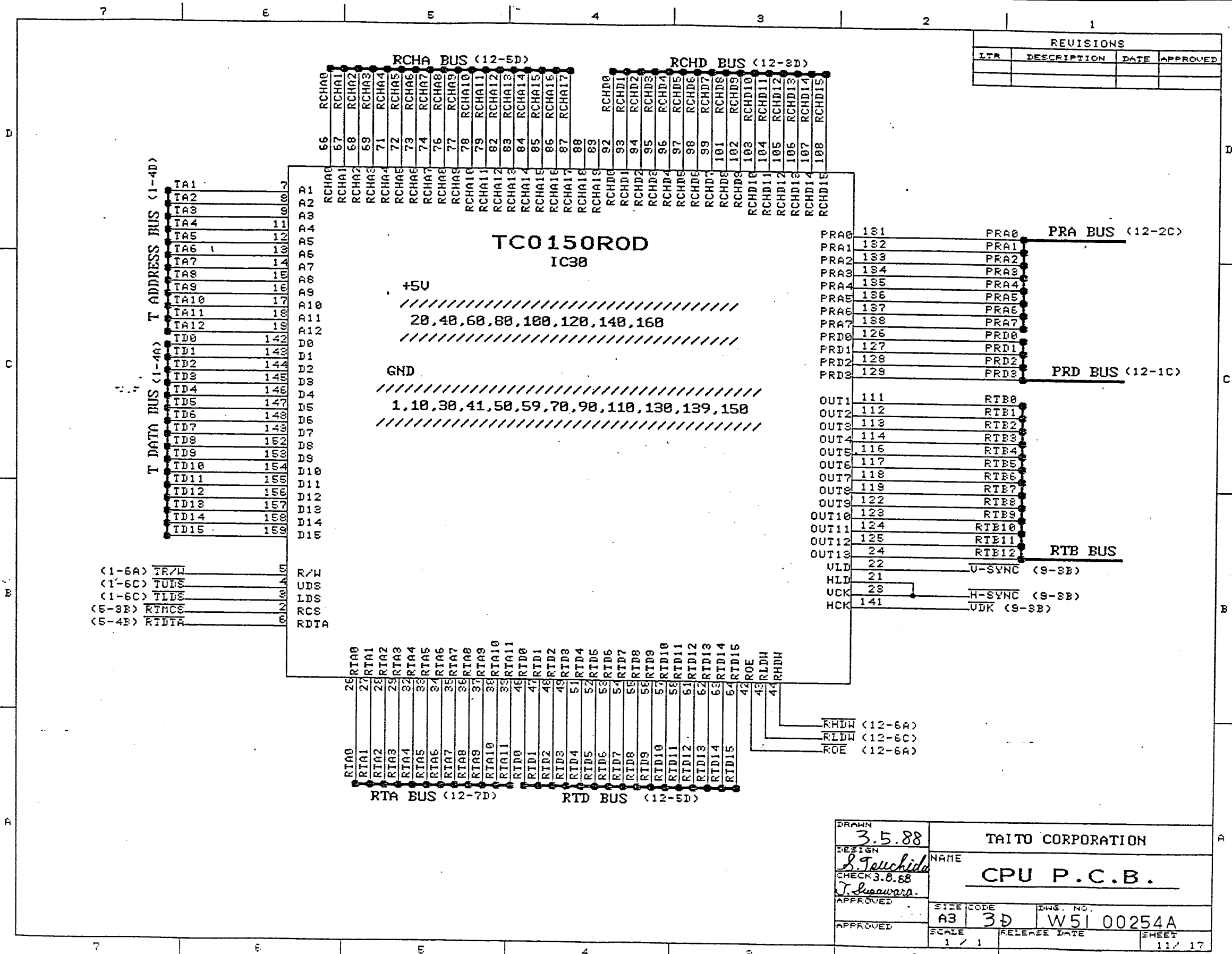
7 6 5 4 3 2 1

REVISIONS			
ITR	DESCRIPTION	DATE	APPROVED



DRAWN 3.5.88	TAITO CORPORATION	
DESIGN <i>S. Touchida</i>	NAME CPU P.C.B.	
CHECK 3.8.88 <i>T. Suwara</i>	SIZE CODE A3 3D	DWG. NO. W51 00254A
APPROVED	SCALE 1 / 1	RELEASE DATE
APPROVED	SHEET 16 / 17	

7 6 5 4 3 2 1



REVISIONS			
LTR	DESCRIPTION	DATE	APPROVED

- RCHA BUS (12-5D)**
- 66 RCHA0
 - 67 RCHA1
 - 68 RCHA2
 - 69 RCHA3
 - 71 RCHA4
 - 72 RCHA5
 - 73 RCHA6
 - 74 RCHA7
 - 76 RCHA8
 - 77 RCHA9
 - 78 RCHA10
 - 79 RCHA11
 - 82 RCHA12
 - 83 RCHA13
 - 84 RCHA14
 - 85 RCHA15
 - 86 RCHA16
 - 87 RCHA17
 - 88
 - 89
- RCHD BUS (12-3D)**
- 92 RCHD0
 - 93 RCHD1
 - 94 RCHD2
 - 95 RCHD3
 - 96 RCHD4
 - 97 RCHD5
 - 98 RCHD6
 - 99 RCHD7
 - 101 RCHD8
 - 102 RCHD9
 - 103 RCHD10
 - 104 RCHD11
 - 105 RCHD12
 - 106 RCHD13
 - 107 RCHD14
 - 108 RCHD15

- T ADDRESS BUS (1-4D)**
- TA1 P1
 - TA2 P2
 - TA3 P3
 - TA4 P4
 - TA5 P5
 - TA6 P6
 - TA7 P7
 - TA8 P8
 - TA9 P9
 - TA10 P10
 - TA11 P11
 - TA12 P12
- T DATA BUS (1-4A)**
- TD0 D0
 - TD1 D1
 - TD2 D2
 - TD3 D3
 - TD4 D4
 - TD5 D5
 - TD6 D6
 - TD7 D7
 - TD8 D8
 - TD9 D9
 - TD10 D10
 - TD11 D11
 - TD12 D12
 - TD13 D13
 - TD14 D14
 - TD15 D15

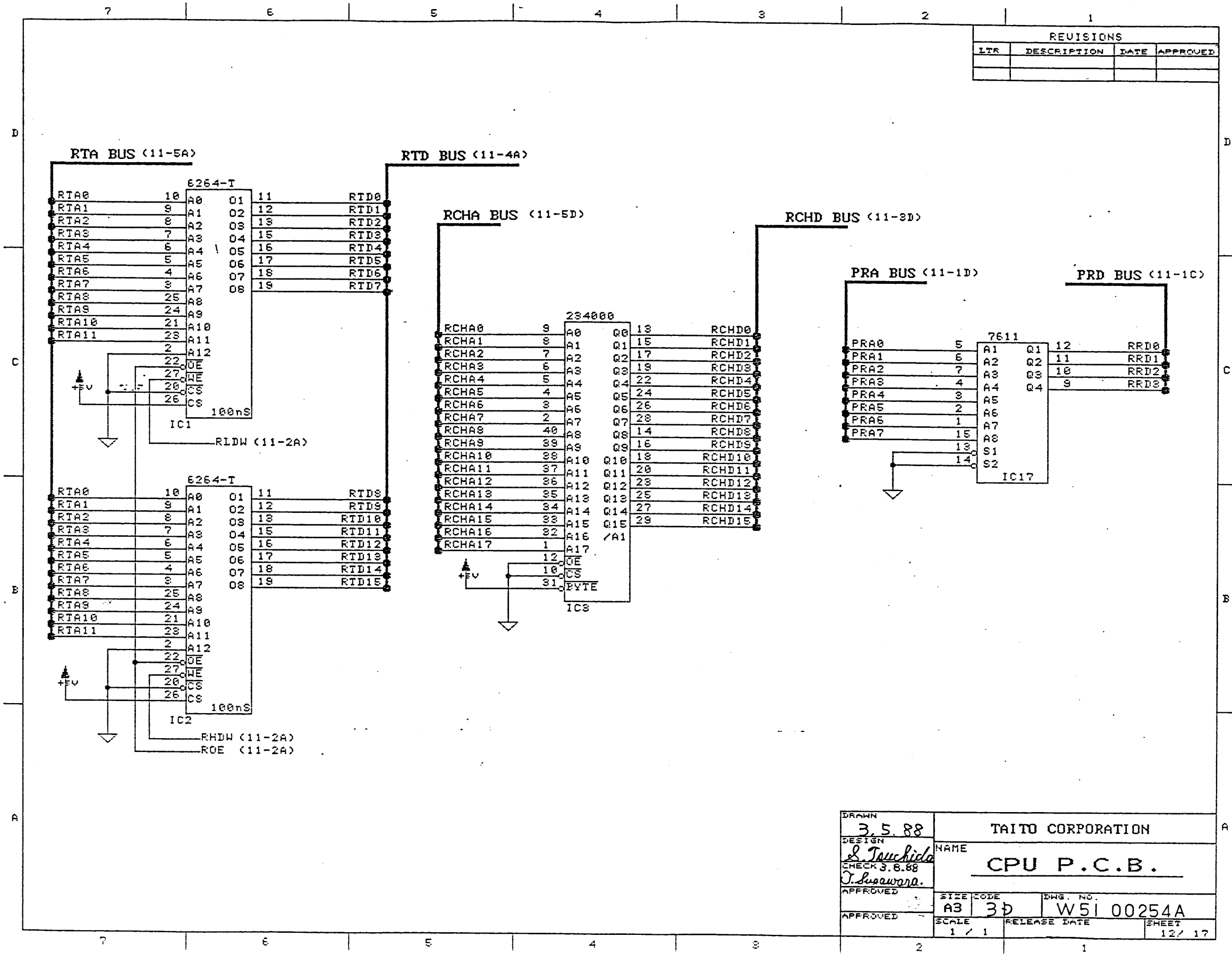
- (1-6A) TR/W R/W
- (1-6C) TUDS UDS
- (1-6C) TLDS LDS
- (5-3B) RTMCS RCS
- (5-4B) RTDTR RDTR

- RTA BUS (12-7D)**
- 26 RTA0
 - 27 RTA1
 - 28 RTA2
 - 29 RTA3
 - 32 RTA4
 - 33 RTA5
 - 34 RTA6
 - 35 RTA7
 - 36 RTA8
 - 37 RTA9
 - 38 RTA10
 - 39 RTA11
 - 40 RTD0
 - 43 RTD1
 - 45 RTD2
 - 48 RTD3
 - 51 RTD4
 - 52 RTD5
 - 53 RTD6
 - 54 RTD7
 - 55 RTD8
 - 56 RTD9
 - 57 RTD10
 - 58 RTD11
 - 61 RTD12
 - 62 RTD13
 - 63 RTD14
 - 64 RTD15
- RTD BUS (12-5D)**
- 42 ROE
 - 43 RLDN
 - 44 RHDN

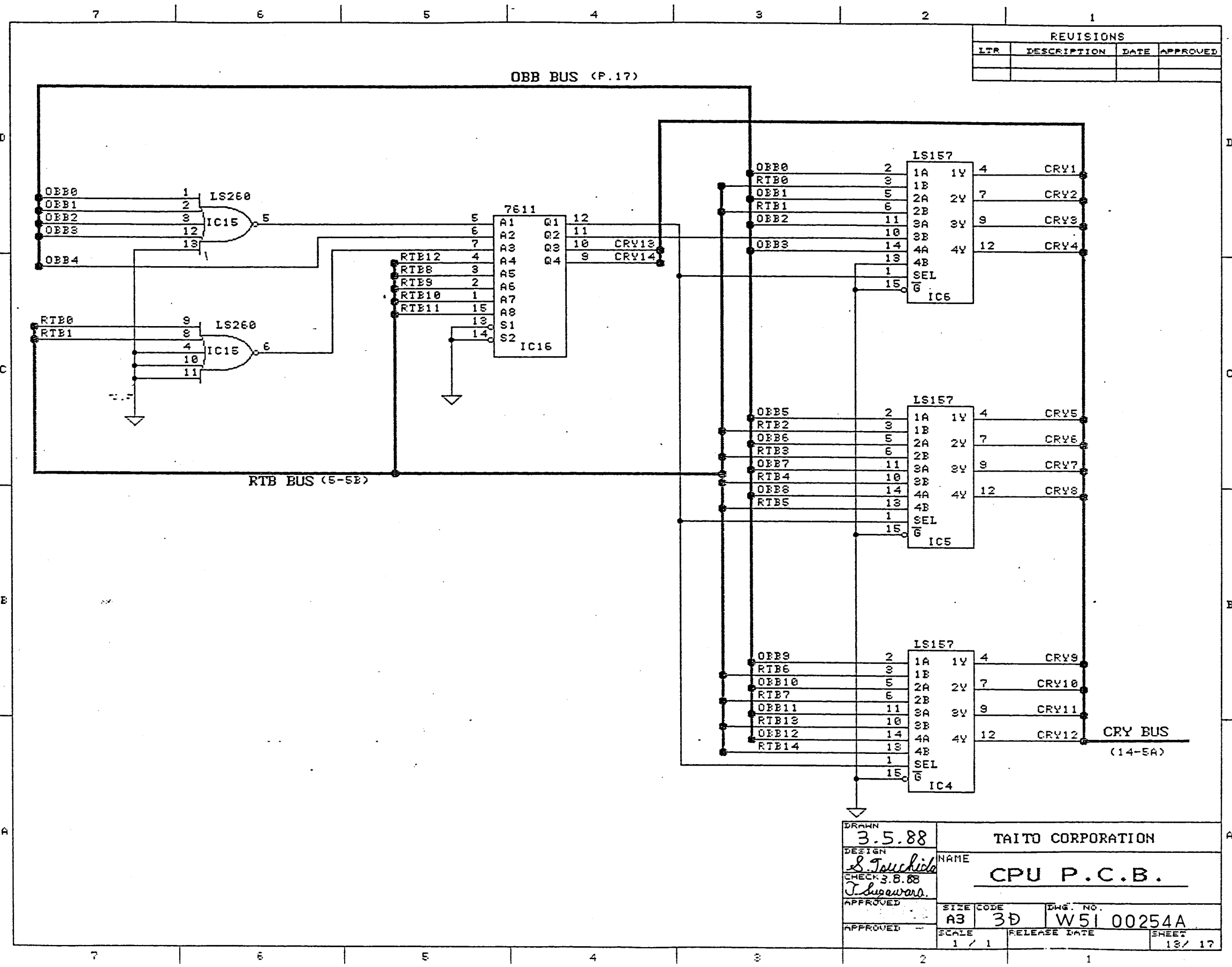
- PRA BUS (12-2C)**
- PRA0 101
 - PRA1 102
 - PRA2 103
 - PRA3 104
 - PRA4 105
 - PRA5 106
 - PRA6 107
 - PRA7 108
- PRD BUS (12-1C)**
- PRD0 126
 - PRD1 127
 - PRD2 128
 - PRD3 129
- RTB BUS**
- OUT1 111
 - OUT2 112
 - OUT3 113
 - OUT4 114
 - OUT5 115
 - OUT6 117
 - OUT7 118
 - OUT8 119
 - OUT9 122
 - OUT10 123
 - OUT11 124
 - OUT12 125
 - OUT13 24
- U-SYNC (9-3B)**
- ULD 22
- H-SYNC (9-3B)**
- HLD 21
 - UCK 23
- UDK (9-3B)**
- HCK 141

DRAWN 3.5.88	TAITO CORPORATION	
DESIGN <i>S. Tsuchida</i>	NAME CPU P.C.B.	
CHECK <i>T. Suwara</i>	SIZE CODE A3	ENG. NO. W51 00254A
APPROVED	SCALE 1 / 1	RELEASE DATE
APPROVED	SHEET 11 / 17	

REVISIONS			
LTR	DESCRIPTION	DATE	APPROVED

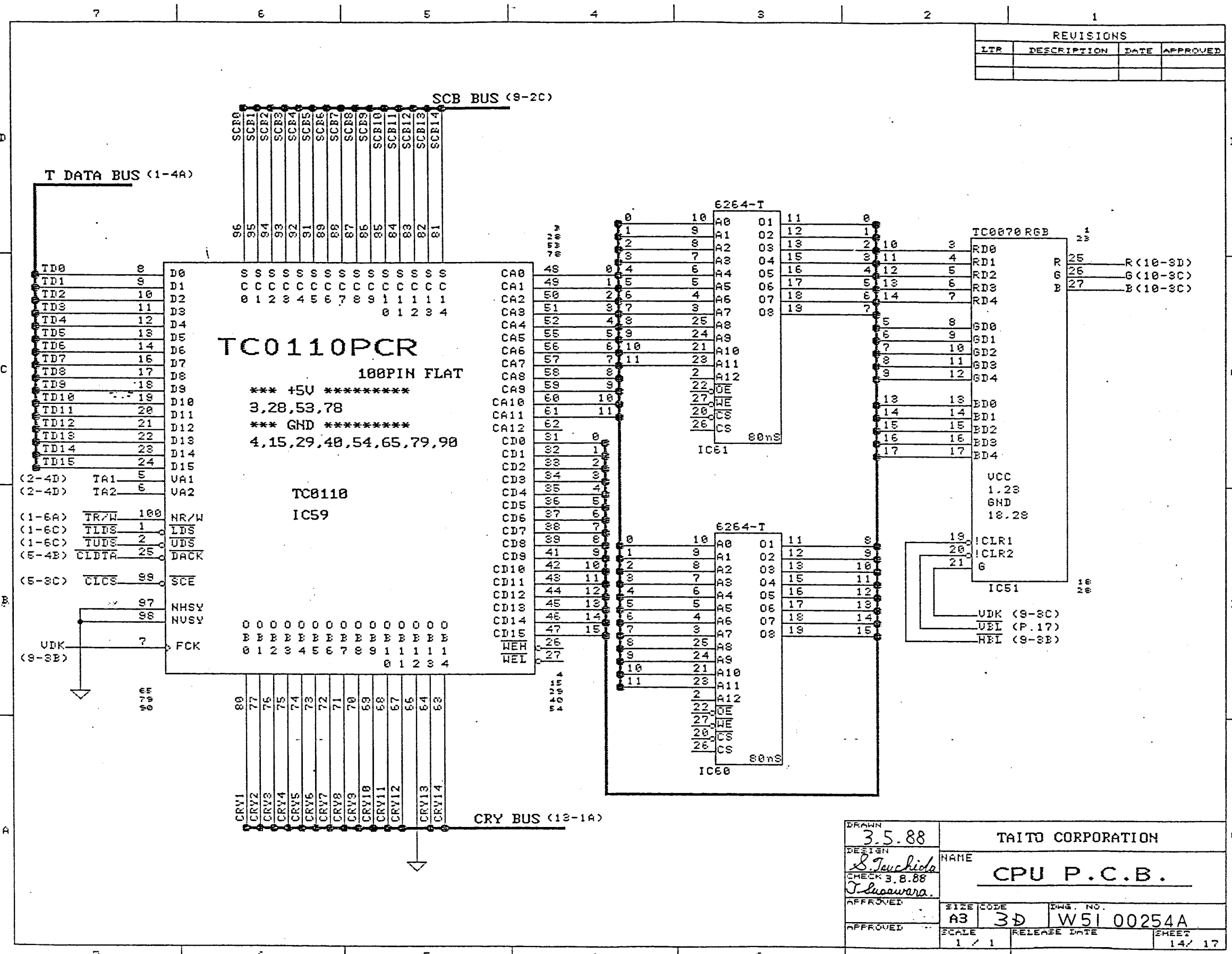


DRAWN 3.5.88	TAITO CORPORATION		
DESIGN <i>S. Tsuchida</i>	NAME CPU P.C.B.		
CHECK 3.8.88 <i>T. Suwara</i>	SIZE A3	CODE 3D	DWG. NO. W51 00254A
APPROVED	SCALE 1/1	RELEASE DATE	SHEET 12/17



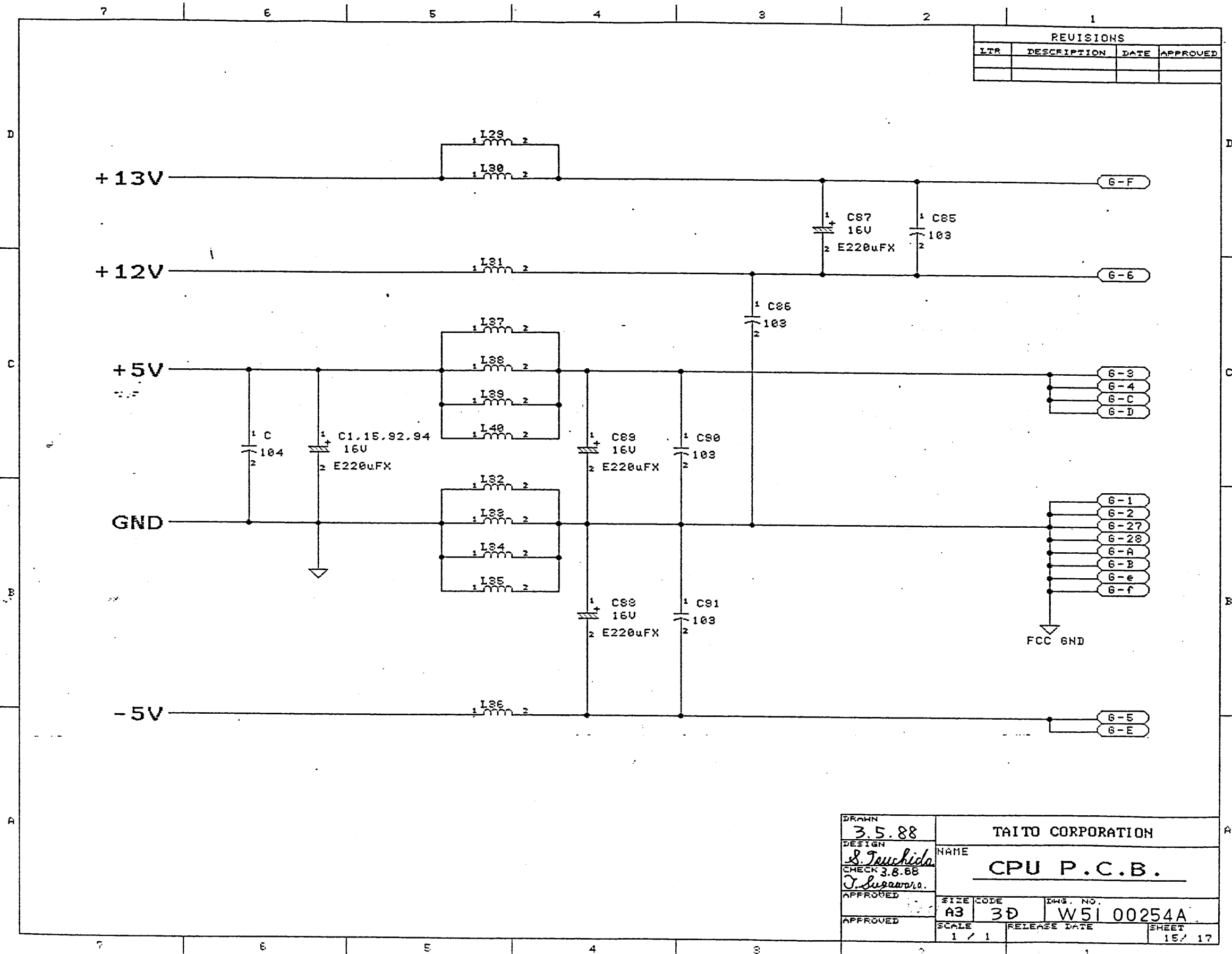
REVISIONS			
LTR	DESCRIPTION	DATE	APPROVED

DRAWN 3.5.88	TAITO CORPORATION		
DESIGN <i>S. Tsuchida</i>	NAME CPU P.C.B.		
CHECK 3.8.88 <i>T. Sawano</i>	APPROVED	SIZE CODE A3 3D	DWG. NO. W51 00254A
APPROVED	SCALE 1 / 1	RELEASE DATE	SHEET 13 / 17



REVISIONS			
LTR	DESCRIPTION	DATE	APPROVED

DRAWN 3.5.88	TAITO CORPORATION	
DESIGN <i>S. Teuchida</i>	NAME CPU P.C.B.	
CHECK <i>T. Suawara</i>	APPROVED [Signature]	SIZE CODE A3 3D
APPROVED [Signature]	SCALE 1 / 1	DWG. NO. W51 00254A
APPROVED [Signature]	RELEASE DATE	SHEET 14 / 17



REVISIONS			
LTR	DESCRIPTION	DATE	APPROVED

DRAWN 3.5.88	TAITO CORPORATION		
DESIGN <i>S. Tsuchida</i>	NAME CPU P.C.B.		
CHECK 3.8.88 <i>T. Sasaki</i>	SIZE A3	CODE 3D	DWG. NO. W51 00254A
APPROVED	SCALE 1 / 1	RELEASE DATE	SHEET 15 / 17

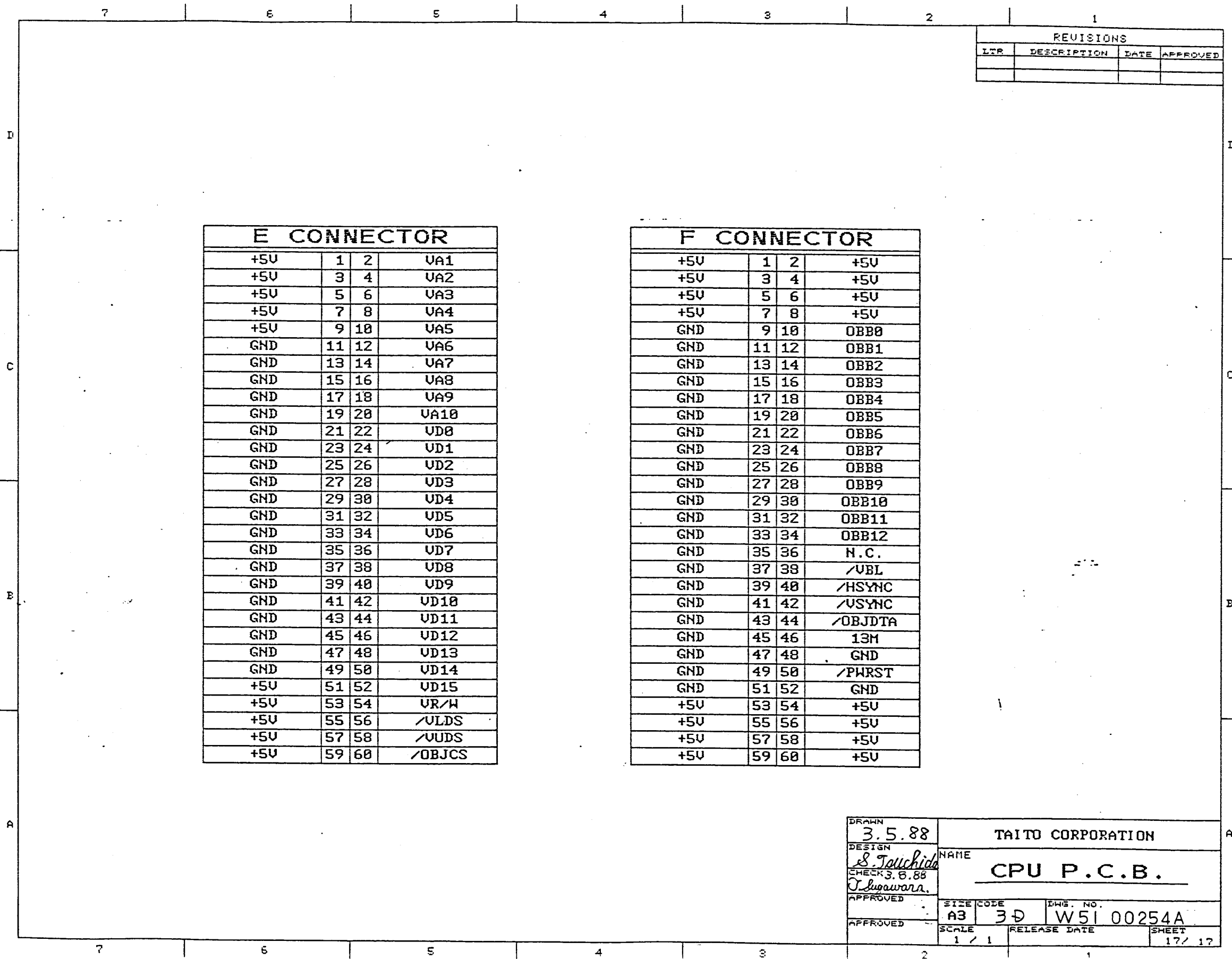
7 6 5 4 3 2 1

REVISIONS			
LTR	DESCRIPTION	DATE	APPROVED

G CONNECTOR			
GND	A	1	GND
GND	B	2	GND
+5V	C	3	+5V
+5V	D	4	+5V
-5V	E	5	-5V
+13V	F	6	+12V
POST	H	7	POST
PADOL X2	I	8	PADOL X1
PADOL Y2	J	9	PADOL Y1
PADOL Z2	K	10	PADOL Z1
BRAKE 0	L	11	ACCEL 0
BRAKE 1	M	12	ACCEL 1
BRAKE 2	N	13	ACCEL 2
START SW	P	14	TILT SW
CENTER SW	R	15	SHIFT SW
NOT USE	S	16	SERVICE SW
COIN SW B	T	17	COIN SW A
COIN METER B	U	18	COIN METER A
COIN LOCKOUT B	V	19	COIN LOCKOUT A
NOT USE	W	20	NOT USE
VIDEO G	X	21	VIDEO R
VIDEO SYNC	Y	22	VIDEO BL
NOT USE	a	23	VIDEO GND
NOT USE	b	24	SCP (R)
SCP GND	c	25	SCP (L)
NOT USE	d	26	NOT USE
GND	e	27	GND
GND	f	28	GND

S CONNECTOR			
12 MHz*	A	1	/RESET
GND	B	2	/SUNDCS
GND	C	3	SRD
GND	D	4	SWR
GND	E	5	SD3
GND	F	6	SD2
GND	H	7	SD1
GND	J	8	SD0
	K	9	SA1
-5V	L	10	+12V
+5V	M	11	+5V
+5V	N	12	+5V
+13V	P	13	+13V
	R	14	
	S	15	

DRAWN 3.5.88	TAITO CORPORATION		
DESIGN <i>S. Tsuchida</i> CHECK 3.8.88 <i>T. Iwasawa</i>	NAME CPU P.C.B.		
APPROVED	SIZE CODE A3 30	DWG. NO. W51 00254A	
APPROVED	SCALE 1 / 1	RELEASE DATE	SHEET 16 / 17

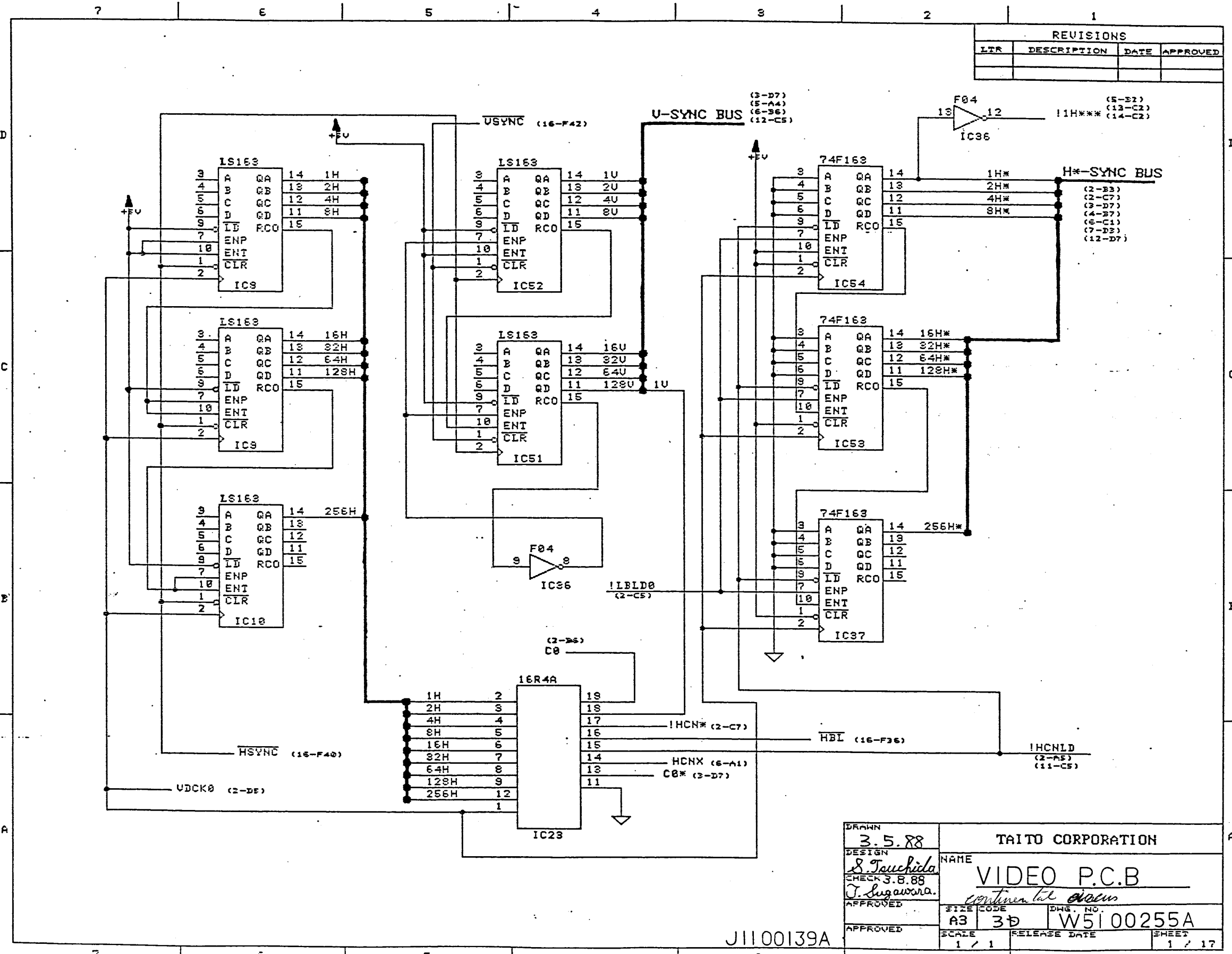


REVISIONS			
LTR	DESCRIPTION	DATE	APPROVED

E CONNECTOR			
+5V	1	2	VA1
+5V	3	4	VA2
+5V	5	6	VA3
+5V	7	8	VA4
+5V	9	10	VA5
GND	11	12	VA6
GND	13	14	VA7
GND	15	16	VA8
GND	17	18	VA9
GND	19	20	VA10
GND	21	22	VD0
GND	23	24	VD1
GND	25	26	VD2
GND	27	28	VD3
GND	29	30	VD4
GND	31	32	VD5
GND	33	34	VD6
GND	35	36	VD7
GND	37	38	VD8
GND	39	40	VD9
GND	41	42	VD10
GND	43	44	VD11
GND	45	46	VD12
GND	47	48	VD13
GND	49	50	VD14
+5V	51	52	VD15
+5V	53	54	UR/W
+5V	55	56	/VLDS
+5V	57	58	/VUDS
+5V	59	60	/OBJCS

F CONNECTOR			
+5V	1	2	+5V
+5V	3	4	+5V
+5V	5	6	+5V
+5V	7	8	+5V
GND	9	10	OBB0
GND	11	12	OBB1
GND	13	14	OBB2
GND	15	16	OBB3
GND	17	18	OBB4
GND	19	20	OBB5
GND	21	22	OBB6
GND	23	24	OBB7
GND	25	26	OBB8
GND	27	28	OBB9
GND	29	30	OBB10
GND	31	32	OBB11
GND	33	34	OBB12
GND	35	36	N.C.
GND	37	38	/UBL
GND	39	40	/HSYNC
GND	41	42	/VSYNC
GND	43	44	/OBJDTA
GND	45	46	13M
GND	47	48	GND
GND	49	50	/PWRST
GND	51	52	GND
+5V	53	54	+5V
+5V	55	56	+5V
+5V	57	58	+5V
+5V	59	60	+5V

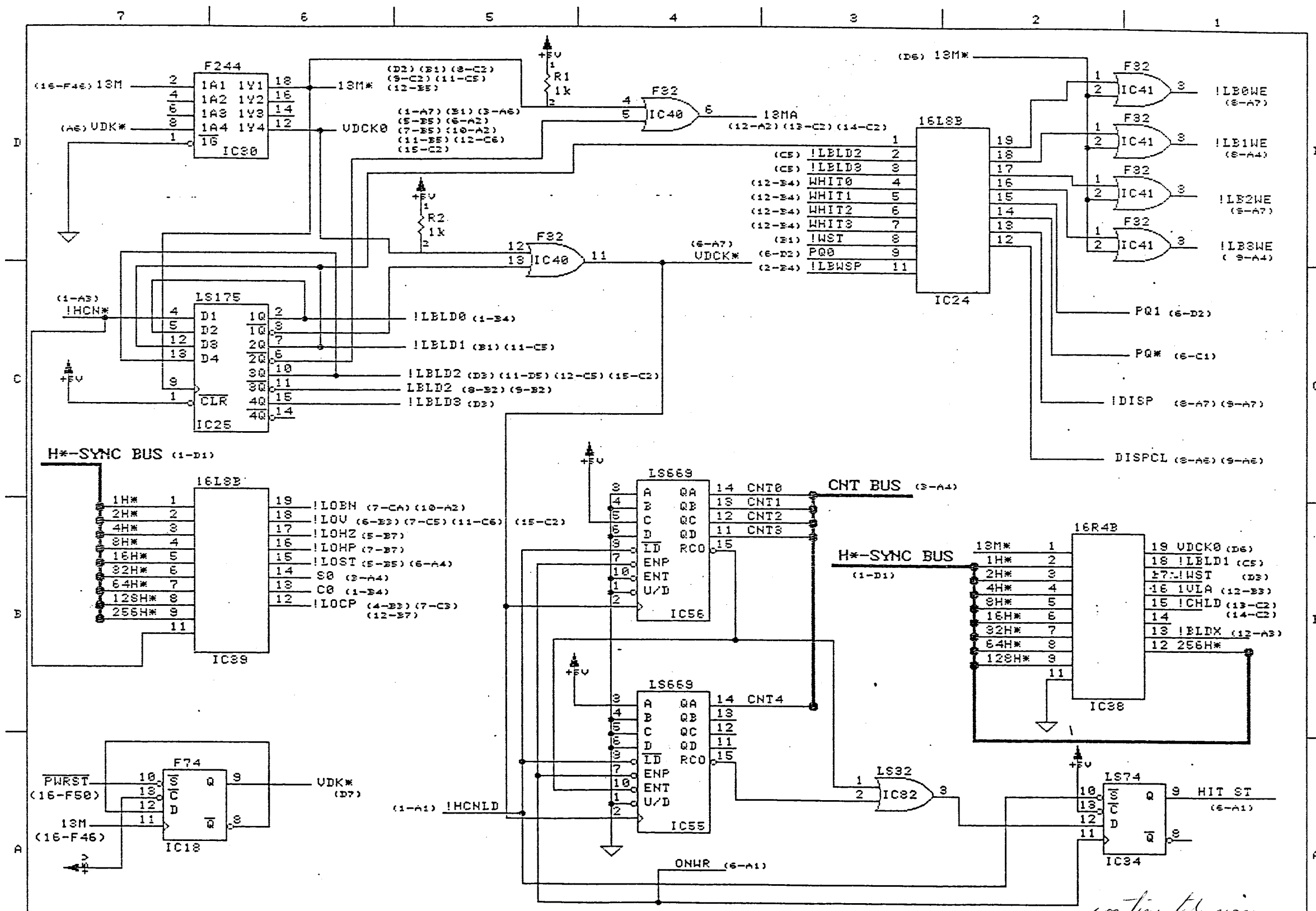
DRAWN 3.5.88	TAITO CORPORATION		
DESIGN <i>S. Tauchida</i>	NAME CPU P.C.B.		
CHECK 3.6.88 <i>O. Sugawara</i>	SIZE CODE A3	DWG. NO. W51 00254A	
APPROVED	SCALE 1 / 1	RELEASE DATE	SHEET 17 / 17



REVISIONS			
LTR	DESCRIPTION	DATE	APPROVED

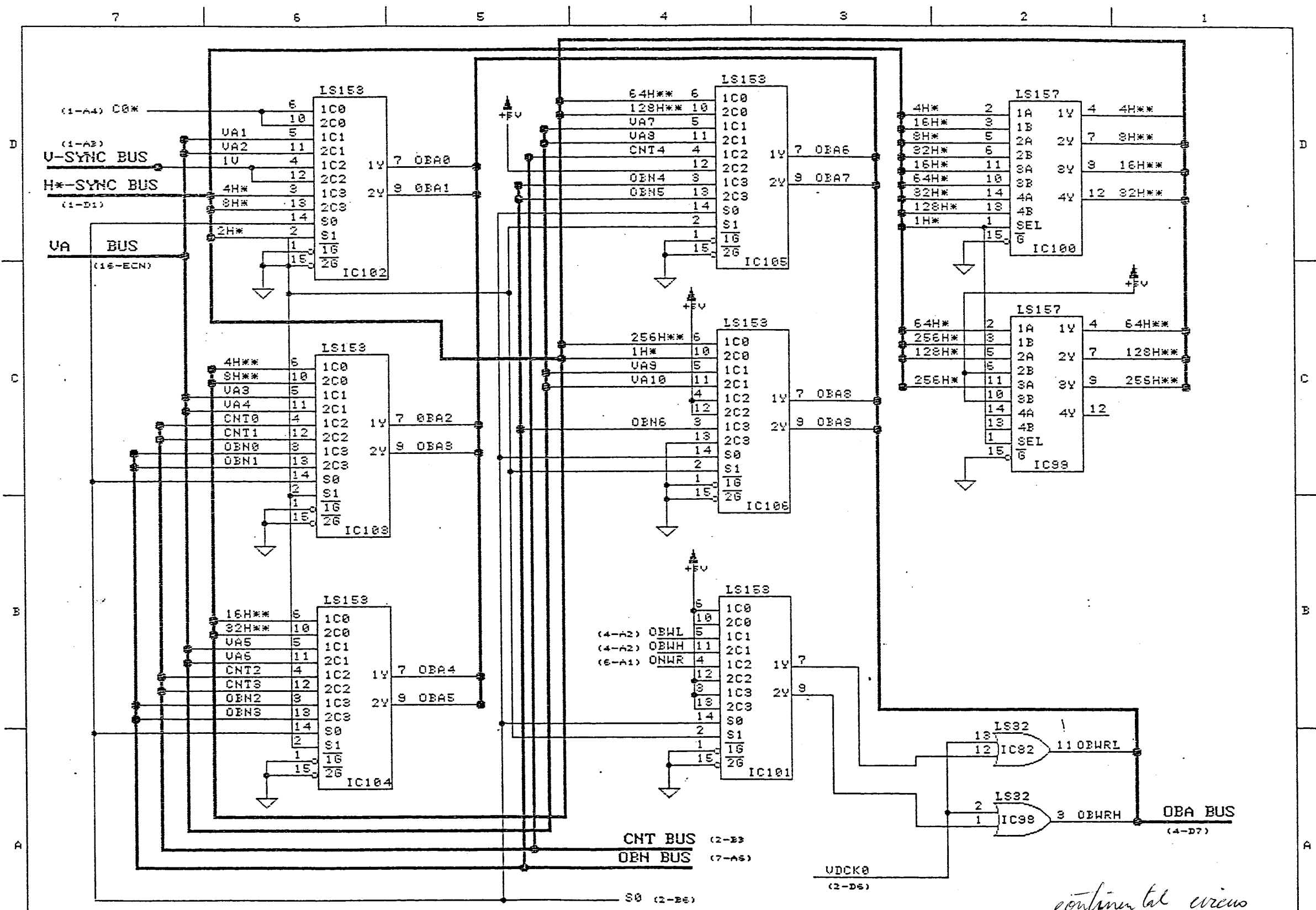
DRAWN 3.5.88	TAITO CORPORATION		
DESIGN <i>S. Tsuchida</i>	NAME VIDEO P.C.B.		
CHECK 3.8.88 <i>J. Sugawara</i>	APPROVED <i>continental</i>		
APPROVED	SIZE CODE A3	DWG. NO. 3D	W5100255A
APPROVED	SCALE 1 / 1	RELEASE DATE	SHEET 1 / 17

J1100139A

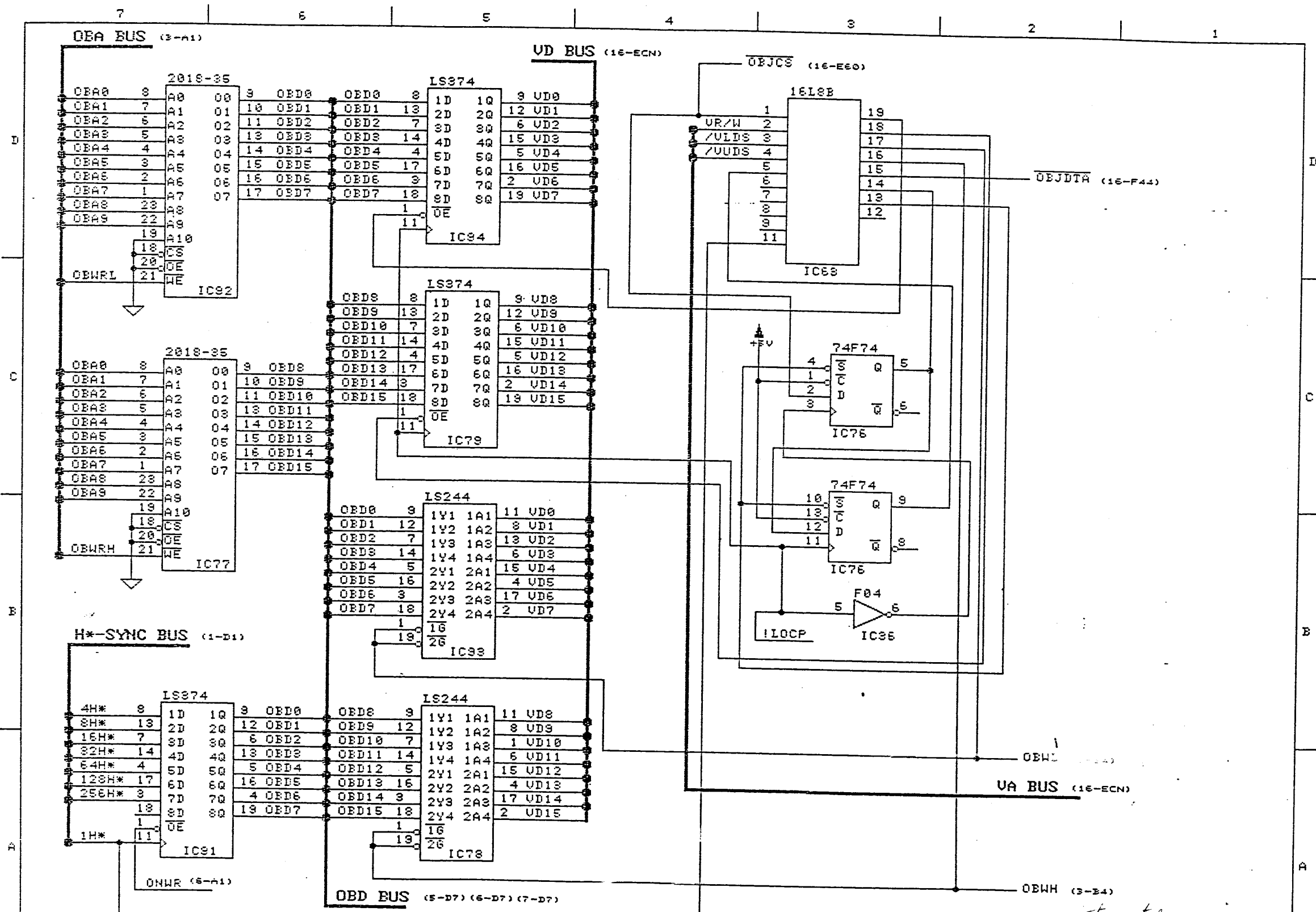


PROJECT	TITLE	DESIGN	DRIVING DAYS	SIZE	TAITO CORPORATION	SHEET
	W5100255A	S. Tsuchida	3.5.88'	A3		2 / 17

continental review

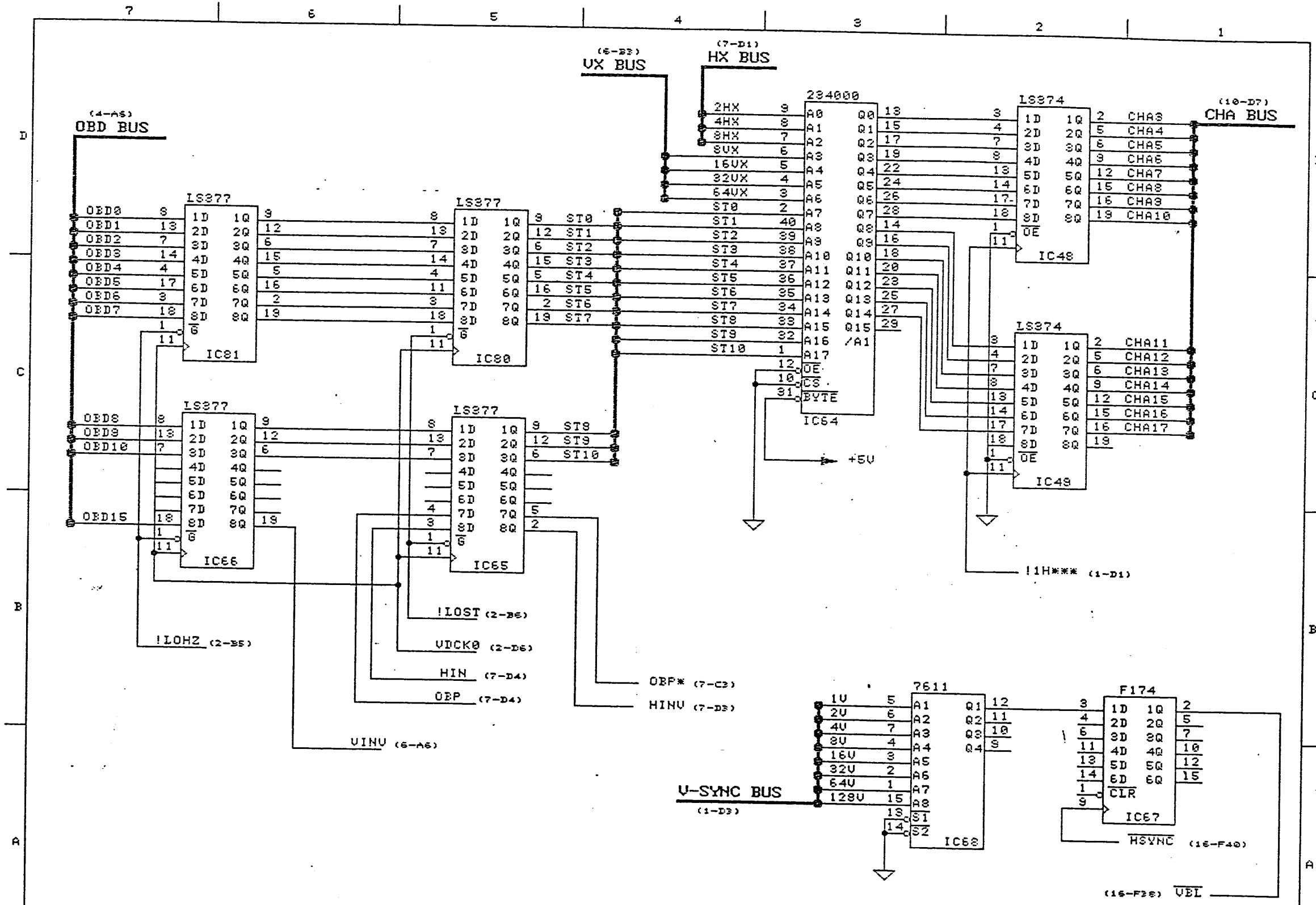


PROJECT	TITLE	DESIGN	DRIVING DAYS	SIZE	TAITO CORPORATION	SHEET
	W5100255A	S. Tsuchida	3.5.88'	A3		3 / 17

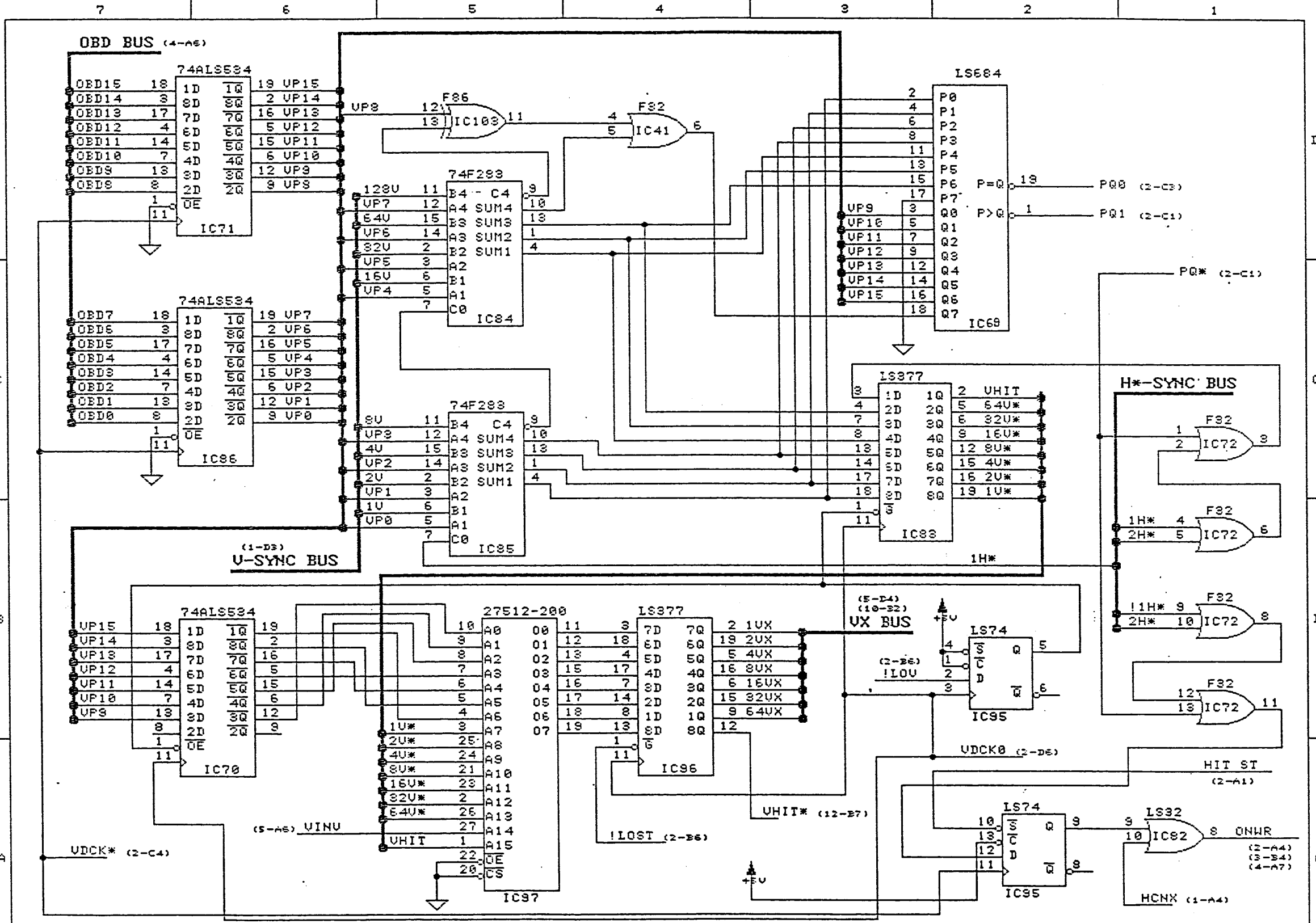


PROJECT	TITLE	DESIGN	DRAWING DAYS	SIZE	TAITO CORPORATION		SHEET
	W5100255A	S. Tsuchida	3.5.88'	A3			4 / 17

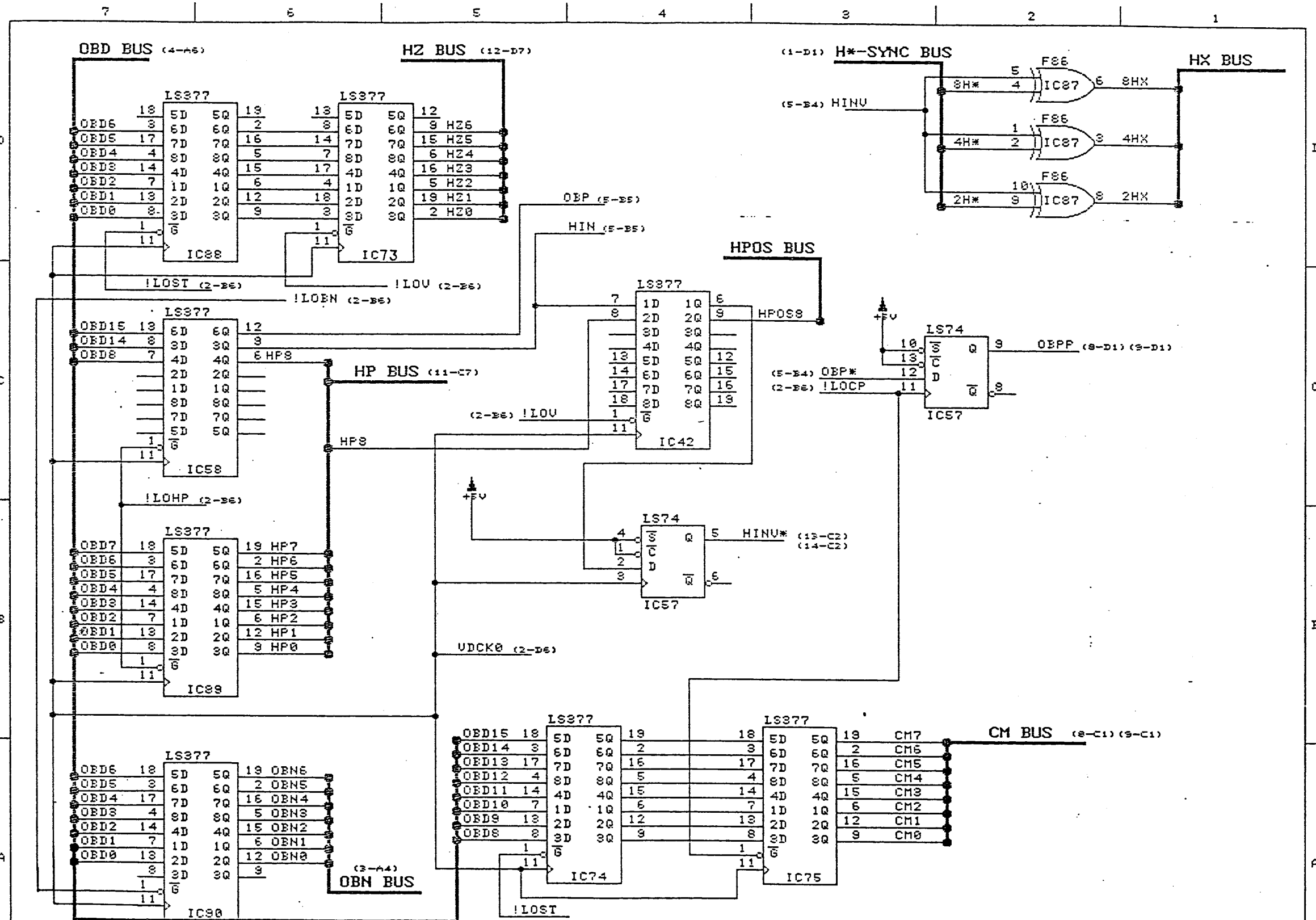
continental circus



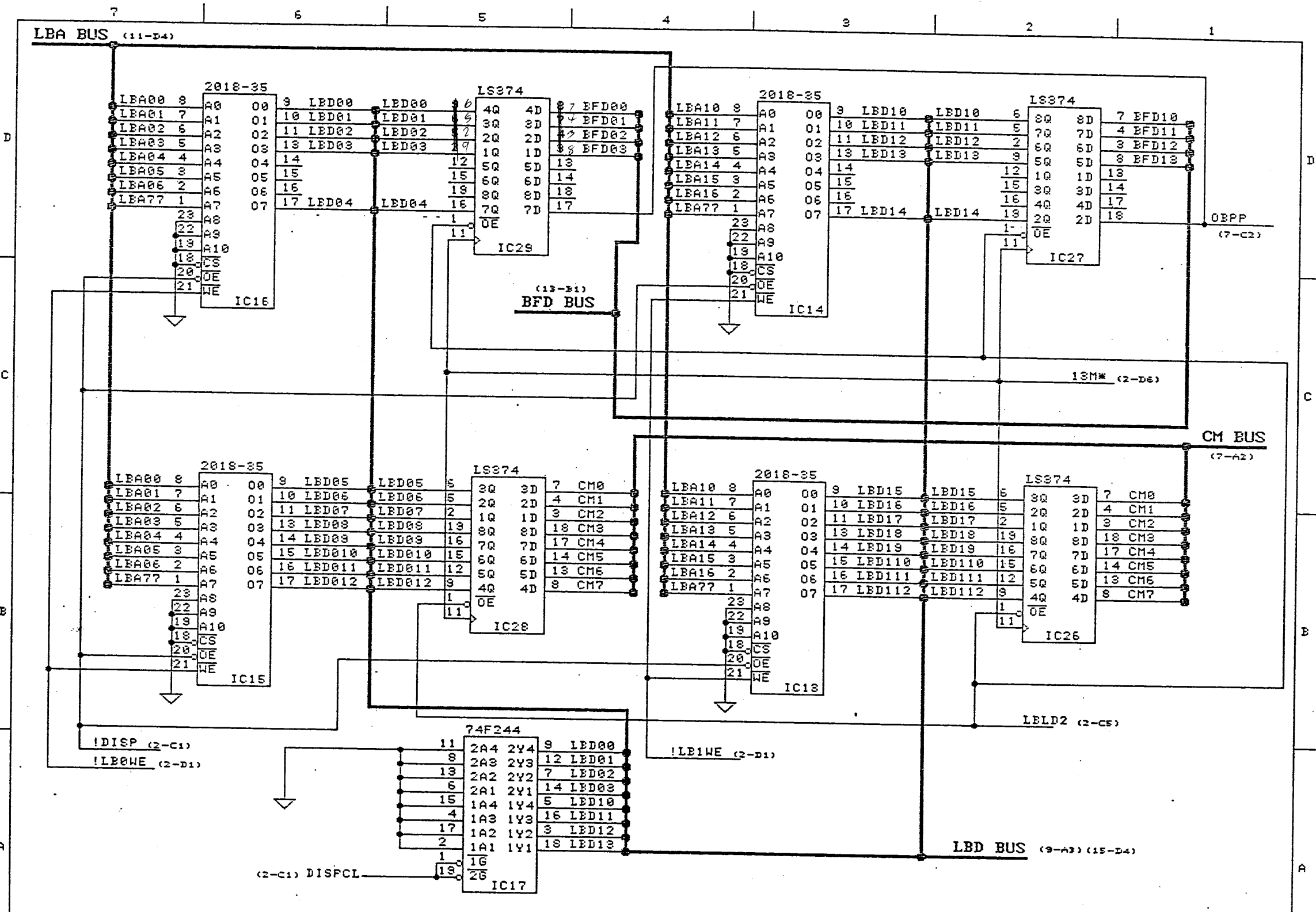
PROJECT	TITLE	DESIGN	DRWING DAYS	SIZE	TAITO CORPORATION	SHEET
	W5100255A	S. Tsuchida	3.5.88'	A3		5 / 17



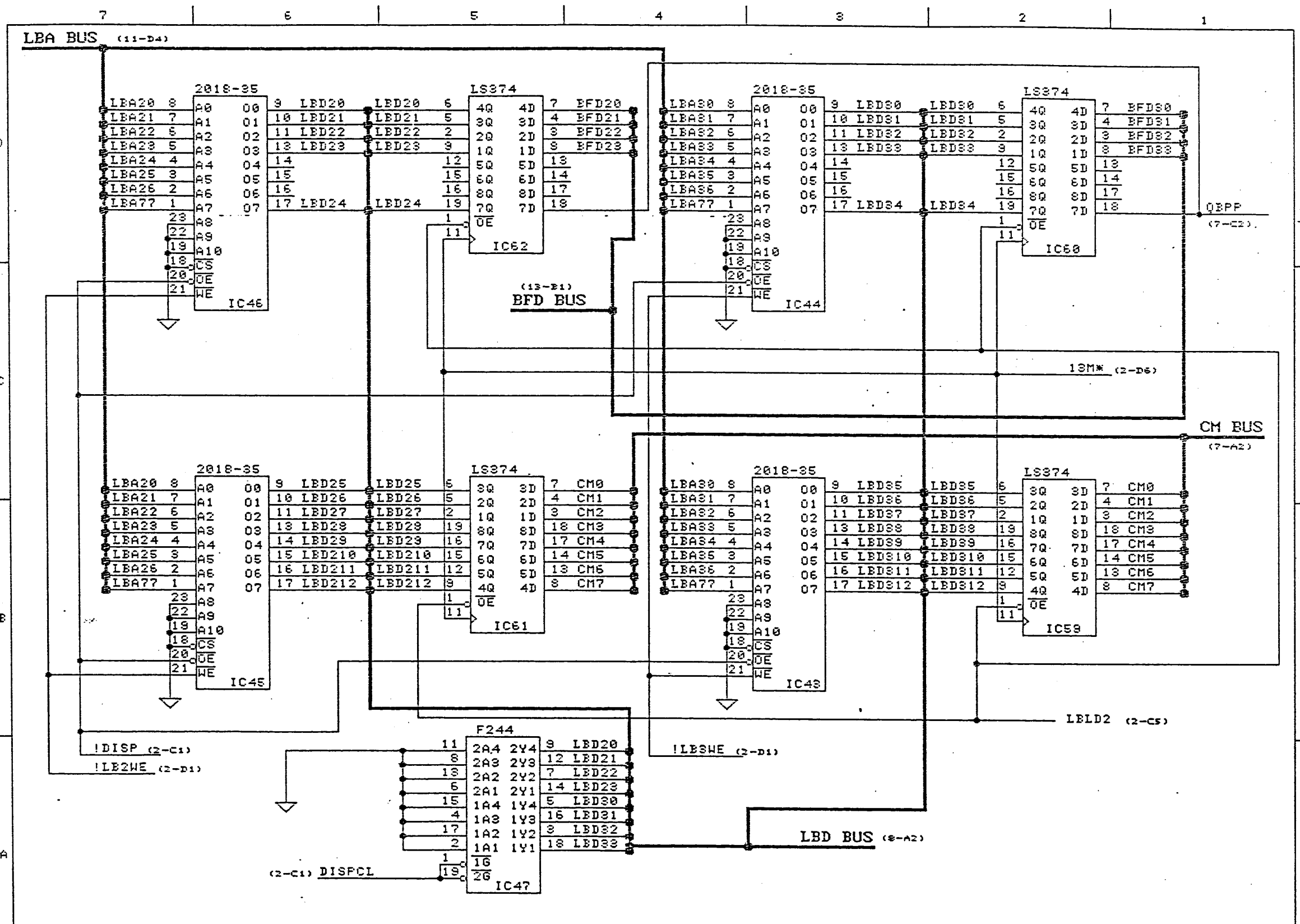
PROJECT	TITLE	DESIGN	DRWG DAYS	SIZE	TAITO CORPORATION	SHEET
	W5100255A	S. Touchida	3.5.88'	A3		6 / 17



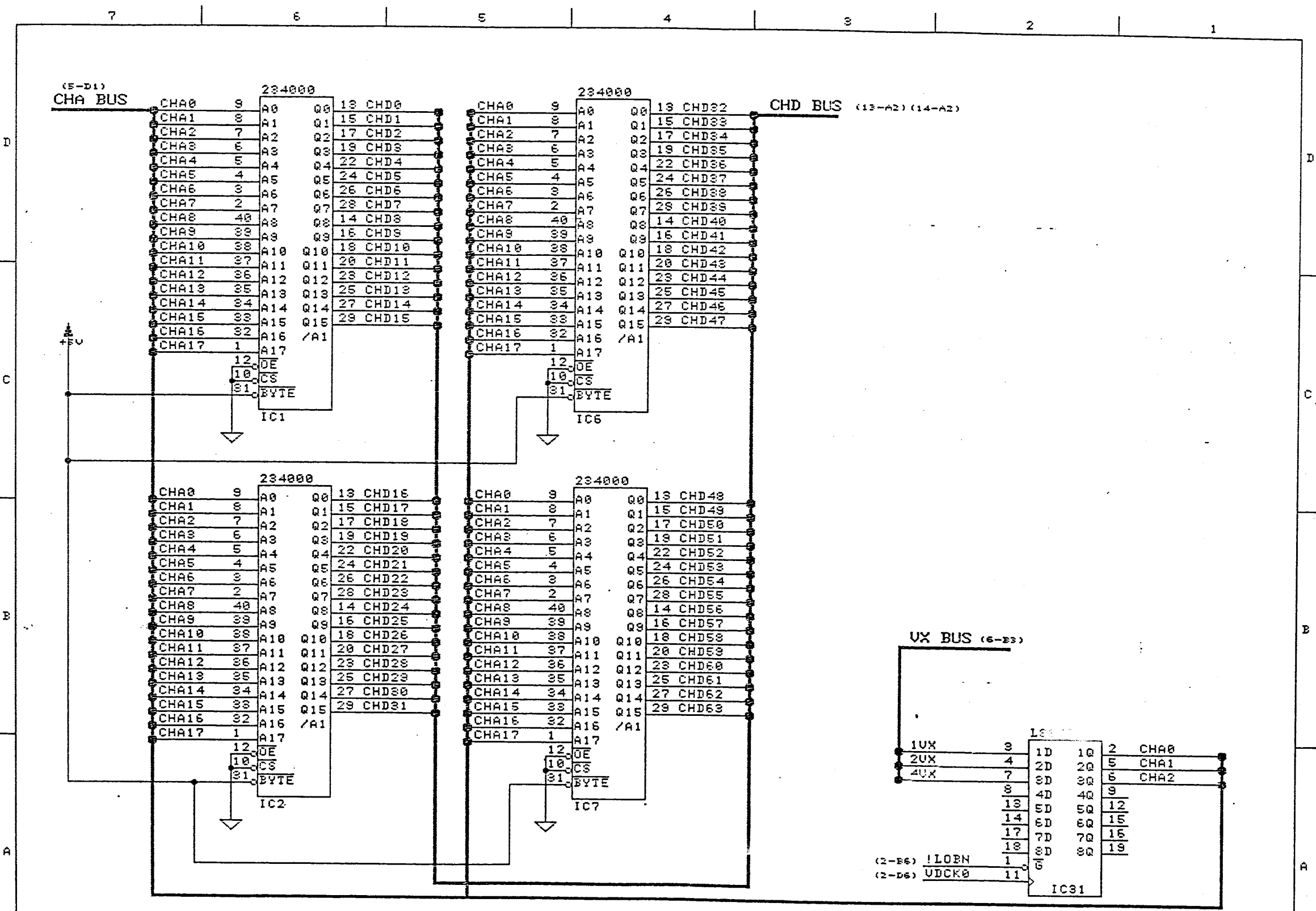
PROJECT	TITLE	DESIGN	DRIVING DAYS	SIZE	TAITO CORPORATION	SHEET
	W5100255A	S. Tsuchida	3.5.88'	A3		7 / 17



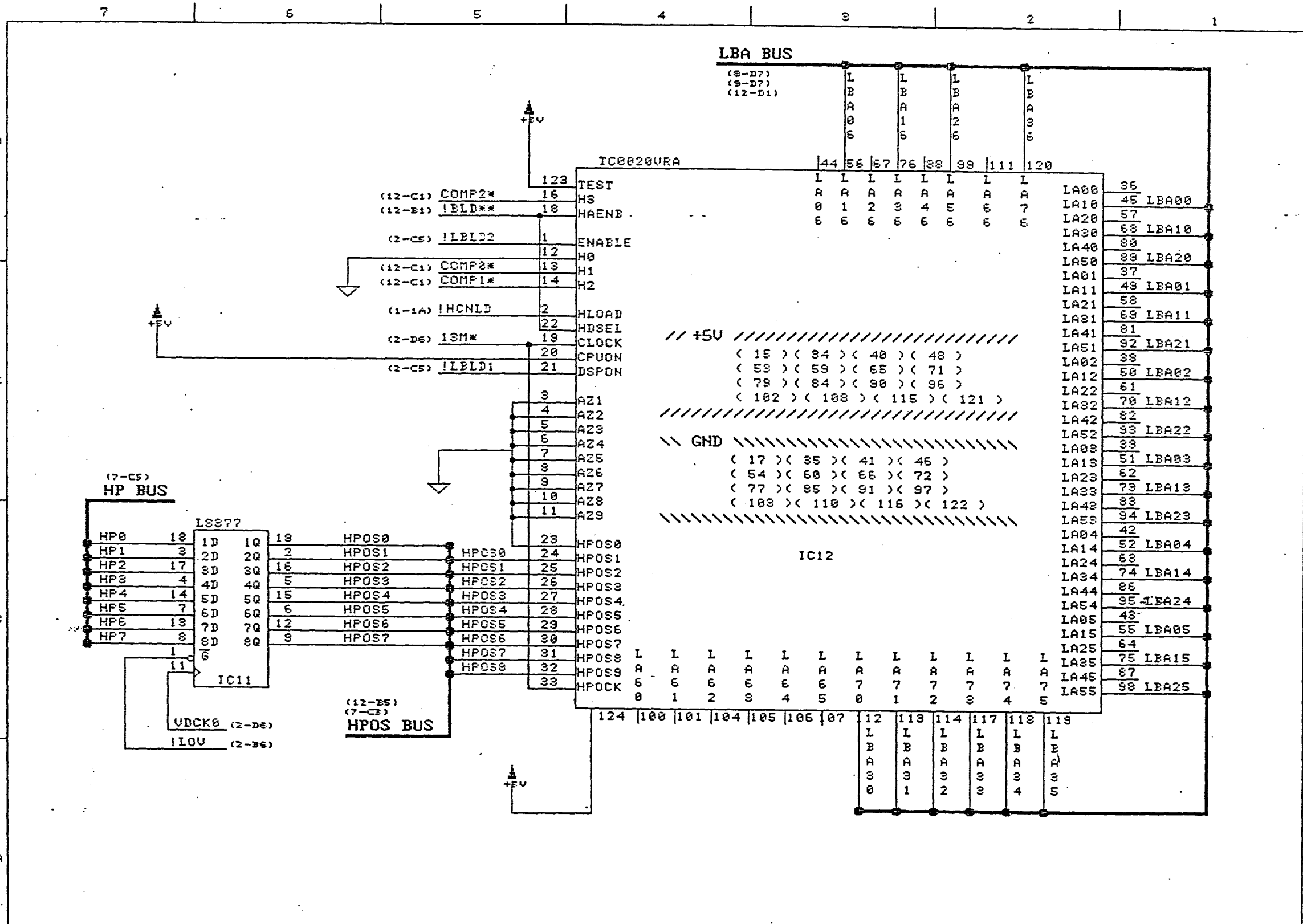
PROJECT	TITLE	DESIGN	DRWG DAYS	SIZE	TAITO CORPORATION	SHEET
	W51 00255A	S. Tsuchida	3.5.88'	A3		8 / 17

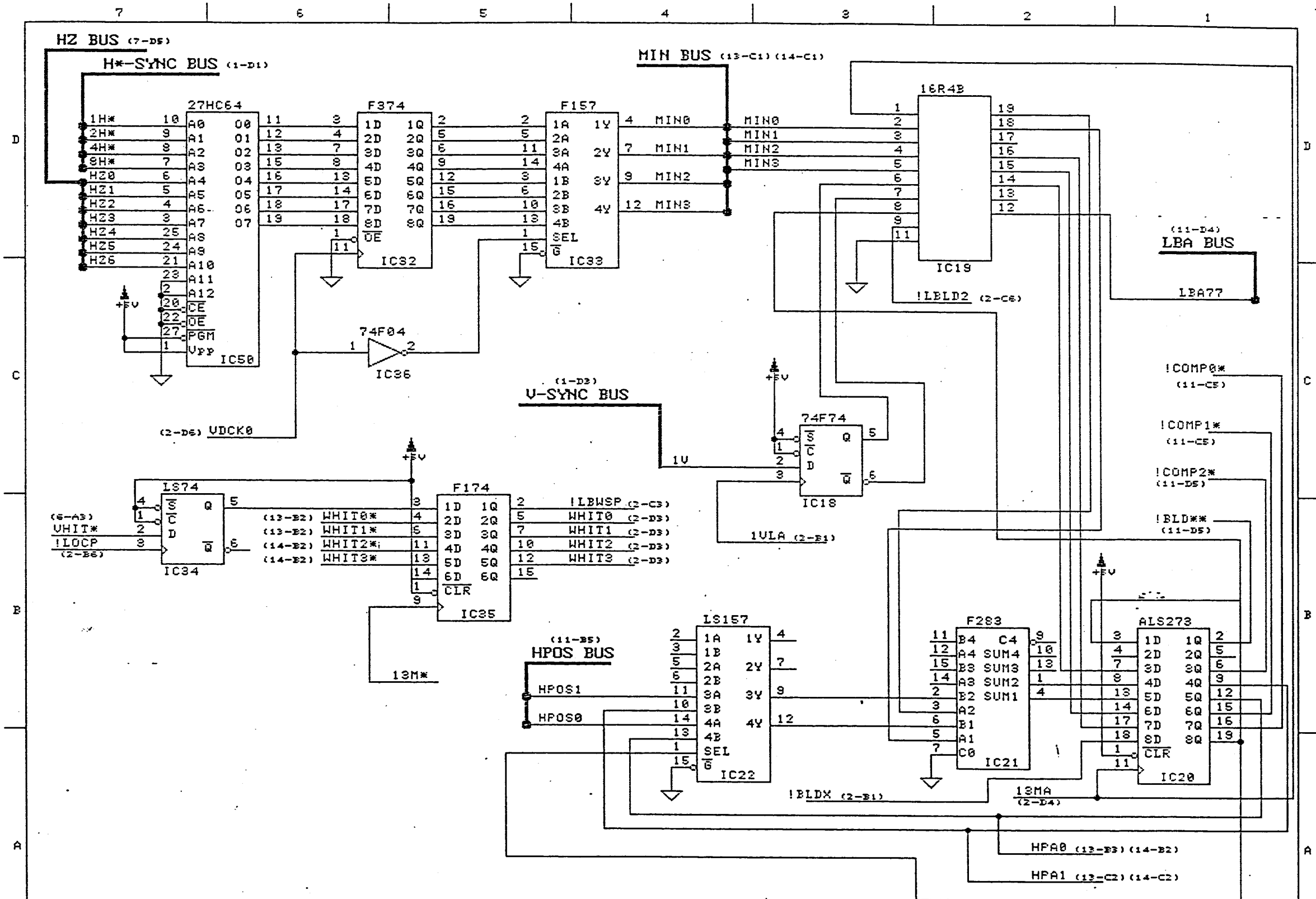


PROJECT	TITLE	DESIGN	DRIVING DAYS	SIZE	TAITO CORPORATION	SHEET
	W5100255A	S. Tsuchida	3.5.88'	A3		9 / 17

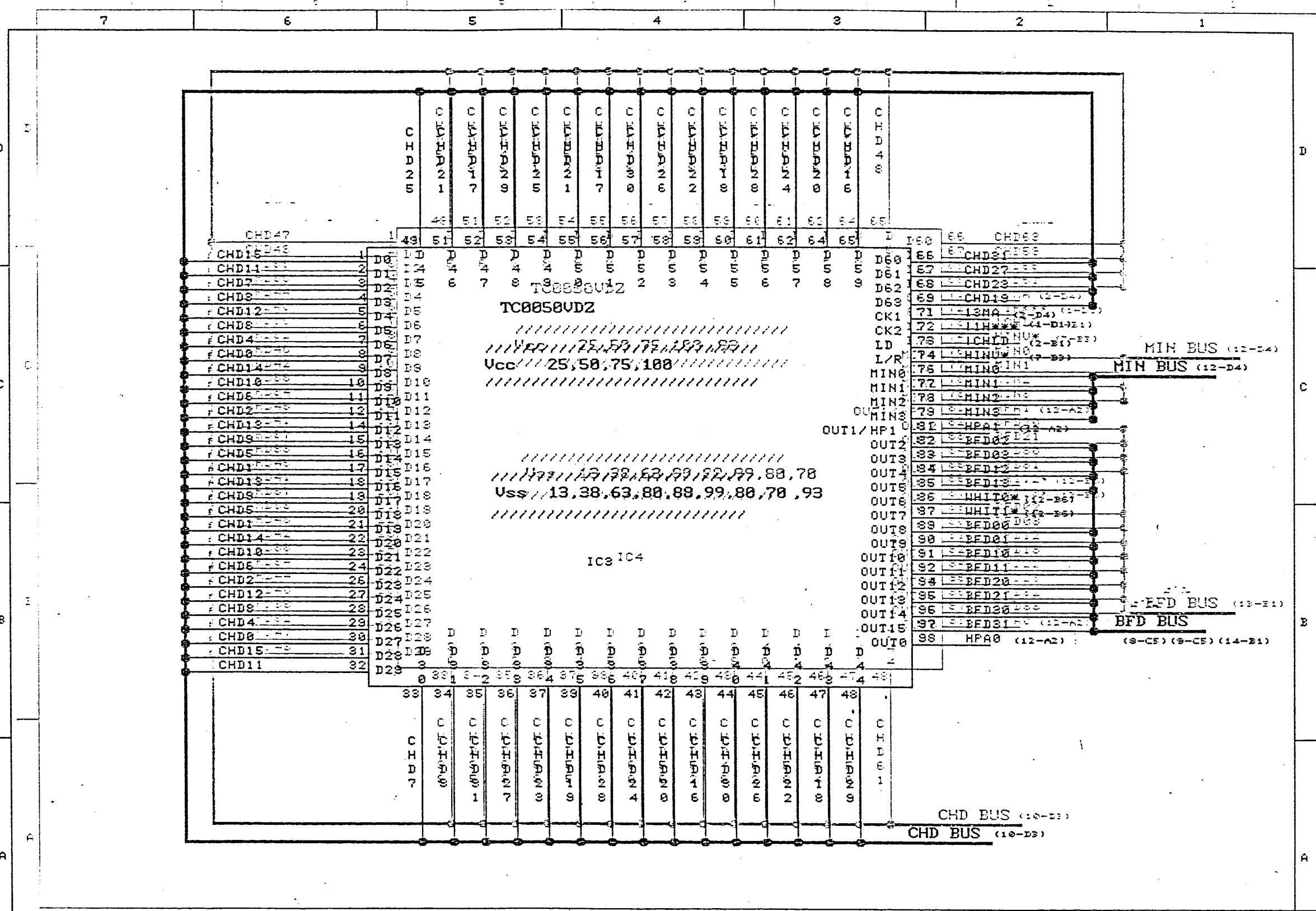


PROJECT	TITLE	DESIGN	DRAWING DAYS	SIZE		SHEET
	W5100255A	S. Touchida	3.5.88'	A3	TAITO CORPORATION	10 / 17

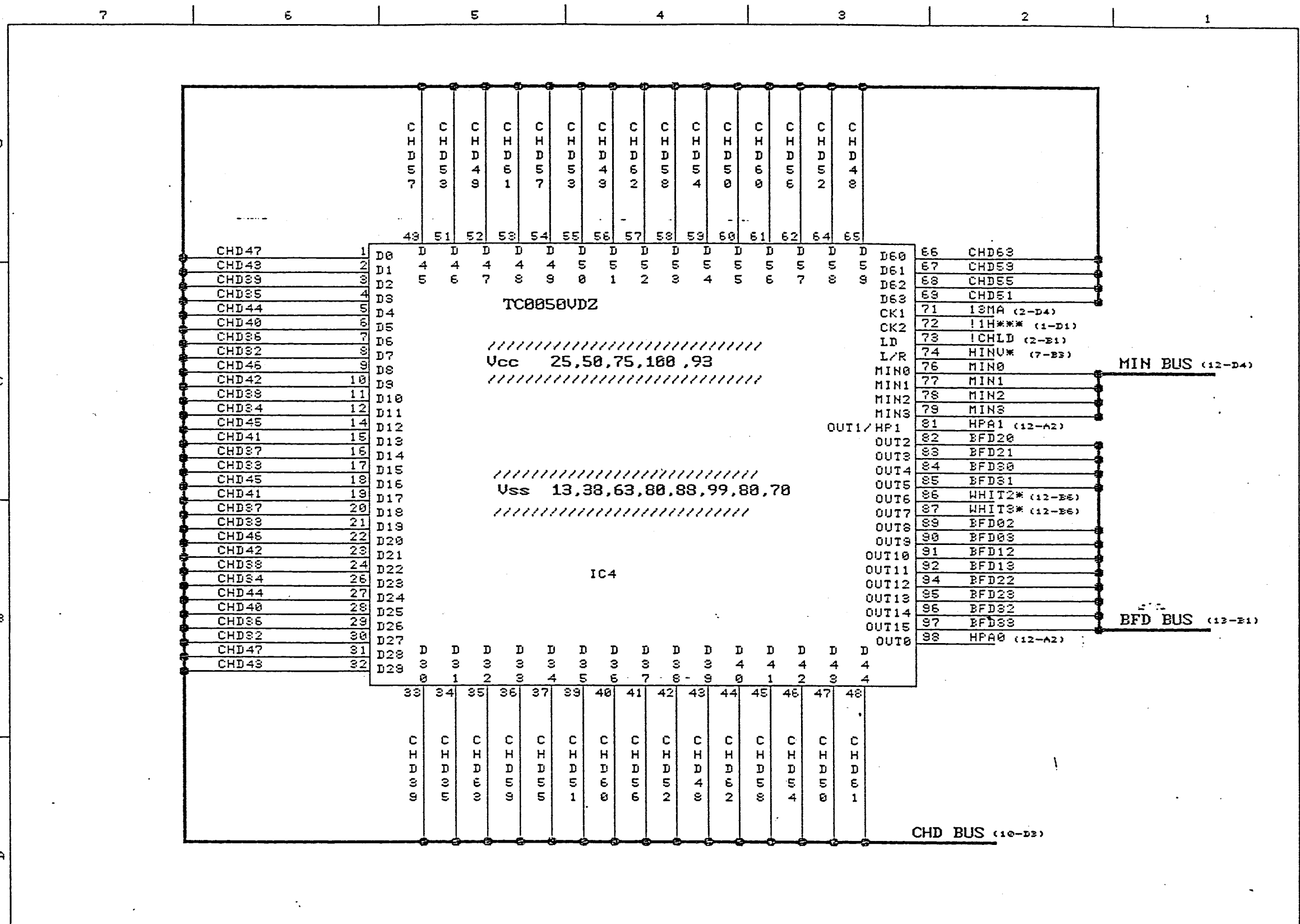




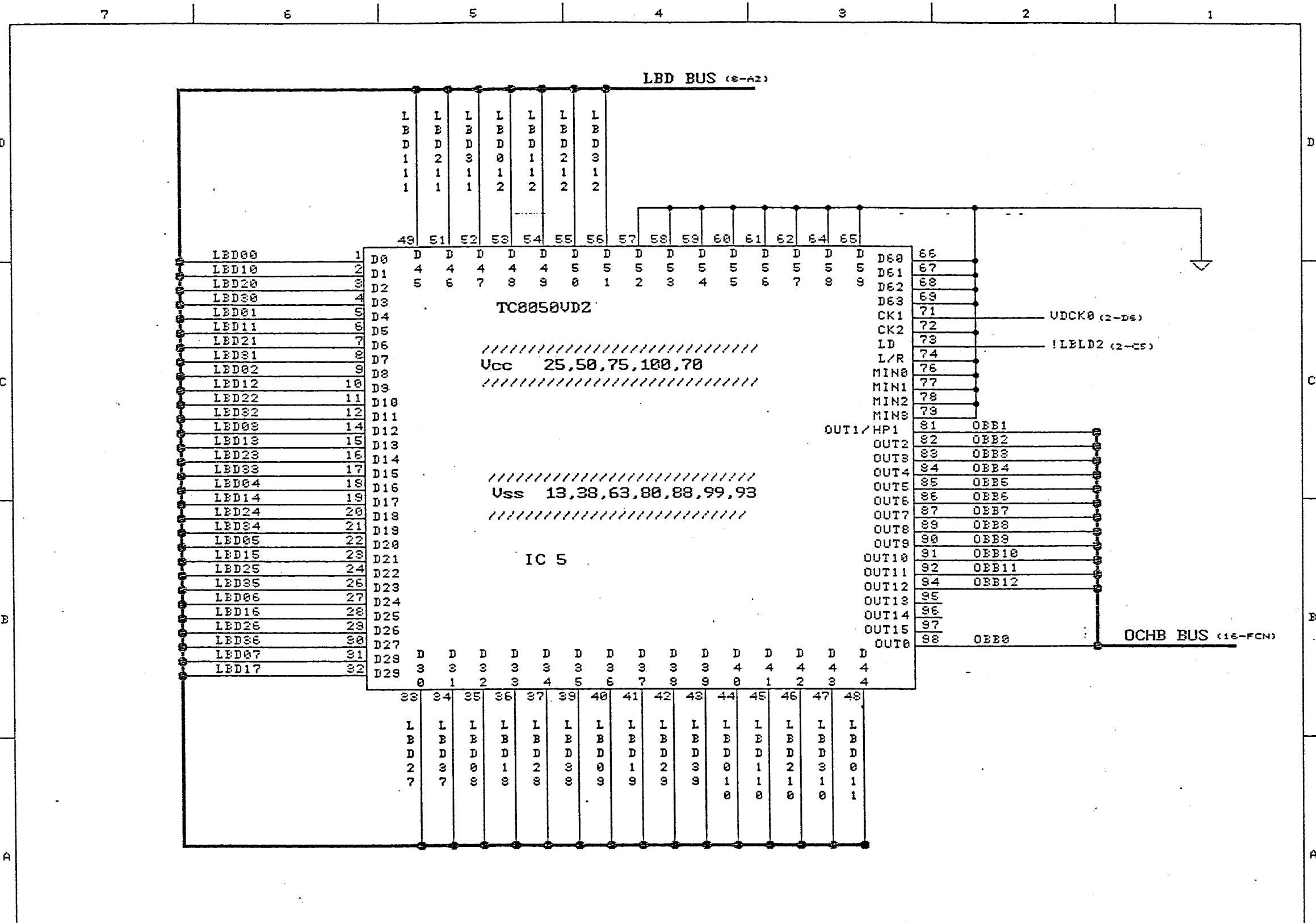
PROJECT	TITLE	DESIGN	DRWING DAYS	SIZE	TAITO CORPORATION	SHEET
	W5100255A	S. Tsuchida	3.5.88'	A3		12 / 17



PROJECT	TITLE	DESIGN	DRAWING DAYS	SIZE	SHEET
PROJECT	TITLE W5100255A	DESIGN <i>S. Touchida</i>	DRWING-DAYS 3.5.88	SIZE A3	SHEET / 17
	W5100255A		3.5.88	A3	13 / 17



PROJECT	TITLE	DESIGN	DRWING DAYS	SIZE	TAITO CORPORATION	SHEET
	W51 00255A	S. Touchida	3.5.88'	A3		14 / 17



PROJECT	TITLE W51 00255A	DESIGN <i>S. Touchida</i>	DRAWING DAYS 3.5.88	SIZE A3	TAITO CORPORATION	SHEET 15 / 17
---------	---------------------	------------------------------	------------------------	------------	-------------------	------------------

7 | 6 | 5 | 4 | 3 | 2 | 1

E CONNECTOR

+5V	1	2	VA1
+5V	3	4	VA2
+5V	5	6	VA3
+5V	7	8	VA4
+5V	9	10	VA5
GND	11	12	VA6
GND	13	14	VA7
GND	15	16	VA8
GND	17	18	VA9
GND	19	20	VA10
GND	21	22	VD0
GND	23	24	VD1
GND	25	26	VD2
GND	27	28	VD3
GND	29	30	VD4
GND	31	32	VD5
GND	33	34	VD6
GND	35	36	VD7
GND	37	38	VD8
GND	39	40	VD9
GND	41	42	VD10
GND	43	44	VD11
GND	45	46	VD12
GND	47	48	VD13
GND	49	50	VD14
+5V	51	52	VD15
+5V	53	54	VR/H
+5V	55	56	/VLDS
+5V	57	58	/VUDS
+5V	59	60	OBJCS

F CONNECTOR

+5V	1	2	+5V
+5V	3	4	+5V
+5V	5	6	+5V
+5V	7	8	+5V
GND	9	10	OBB0
GND	11	12	OBB1
GND	13	14	OBB2
GND	15	16	OBB3
GND	17	18	OBB4
GND	19	20	OBB5
GND	21	22	OBB6
GND	23	24	OBB7
GND	25	26	OBB8
GND	27	28	OBB9
GND	29	30	OBB10
GND	31	32	OBB11
GND	33	34	OBB12
GND	35	36	
GND	37	38	VEL
GND	39	40	HSYNC
GND	41	42	USYNC
GND	43	44	OBJDTA
GND	45	46	13M
GND	47	48	GND
GND	49	50	PWRST
GND	51	52	GND
+5V	53	54	+5V
+5V	55	56	+5V
+5V	57	58	+5V
+5V	59	60	+5V

H CONNECTOR

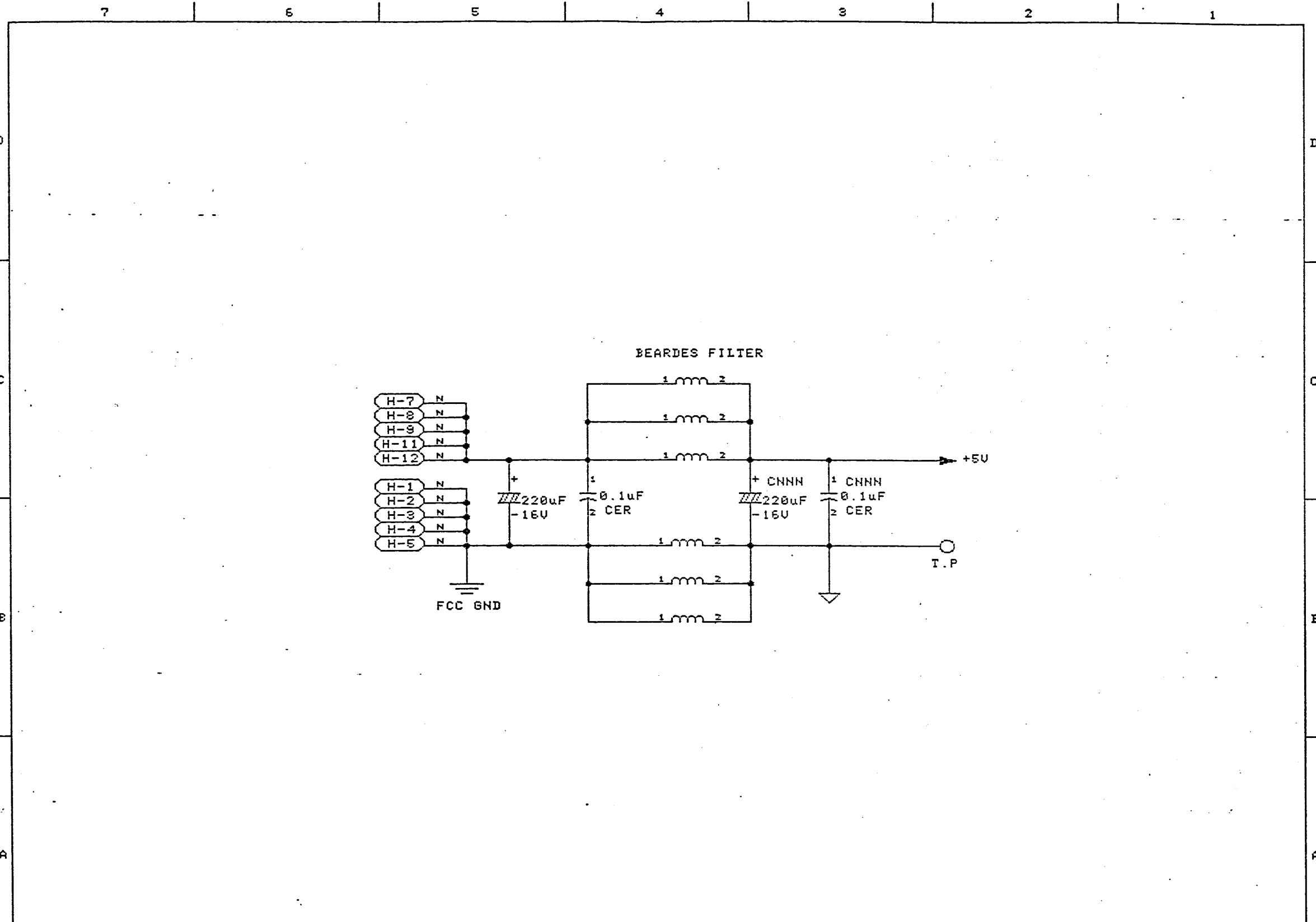
1	GND
2	GND
3	GND
4	GND
5	GND
6	
7	+5V
8	+5V
9	+5V
10	POST
11	+5V
12	+5V

D
C
B
A

D
C
B
A

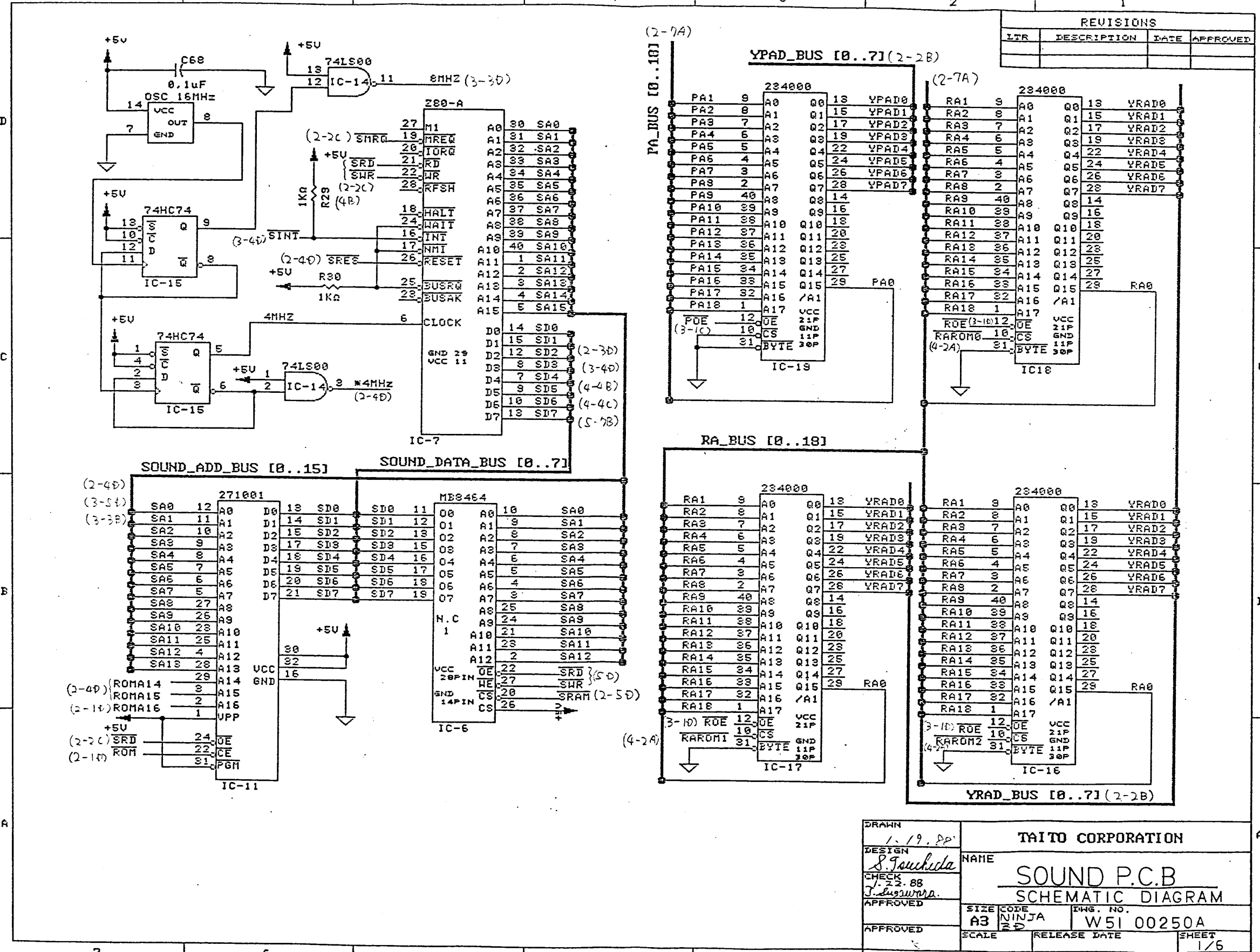
PROJECT	TITLE W5100255A	DESIGN <i>S. Tsuchida</i>	DRIVING DAYS 3.5.88'	SIZE A3	TAITO CORPORATION	SHEET 16 / 17
---------	--------------------	------------------------------	-------------------------	------------	-------------------	------------------

7 | 6 | 5 | 4 | 3 | 2 | 1

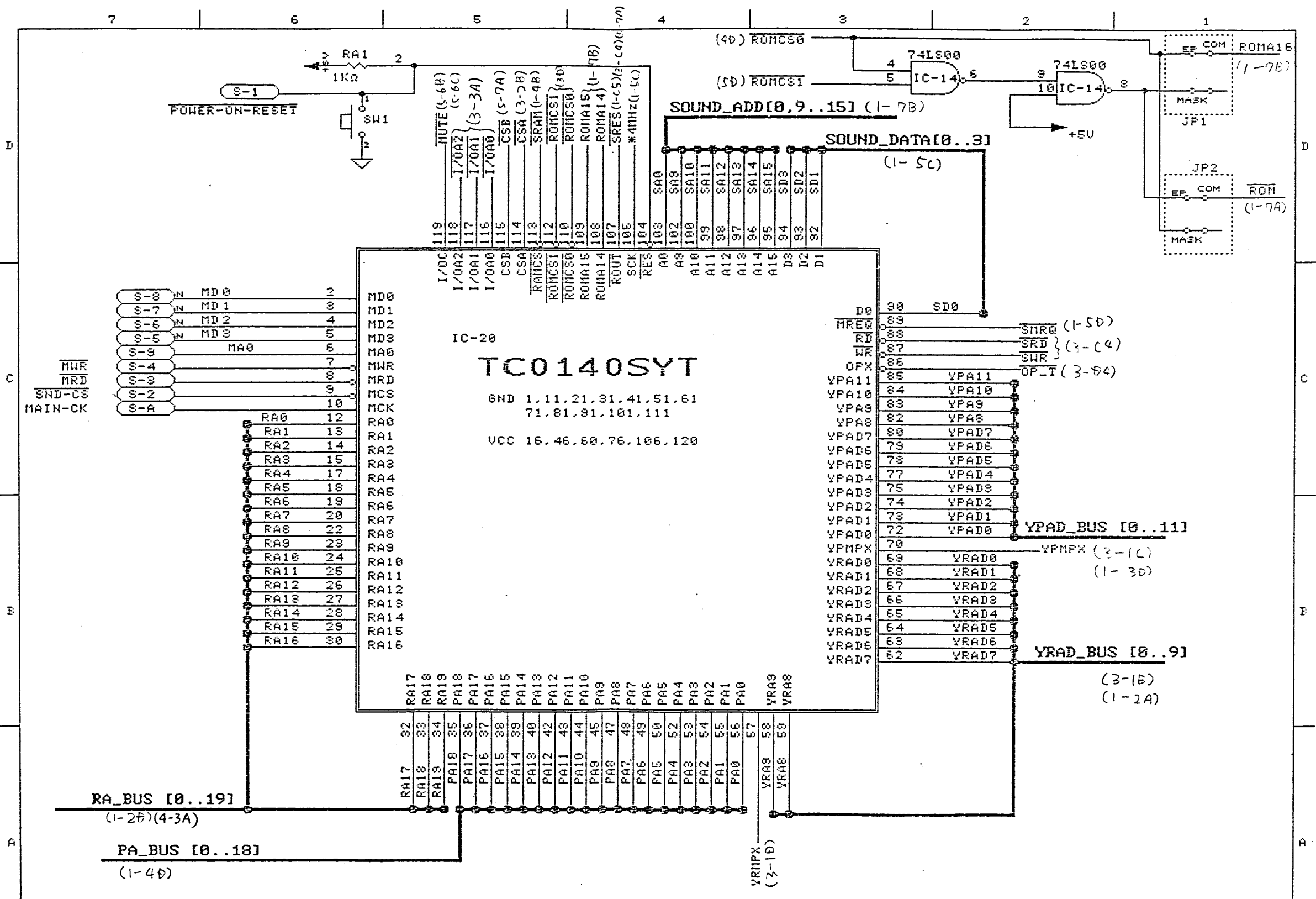


PROJECT	TITLE W5100255A	DESIGN <i>S. Touchida</i>	DRWING DAYS 3.5.88'	SIZE A3	TAITO CORPORATION	SHEET 17 / 17
---------	--------------------	------------------------------	------------------------	------------	-------------------	------------------

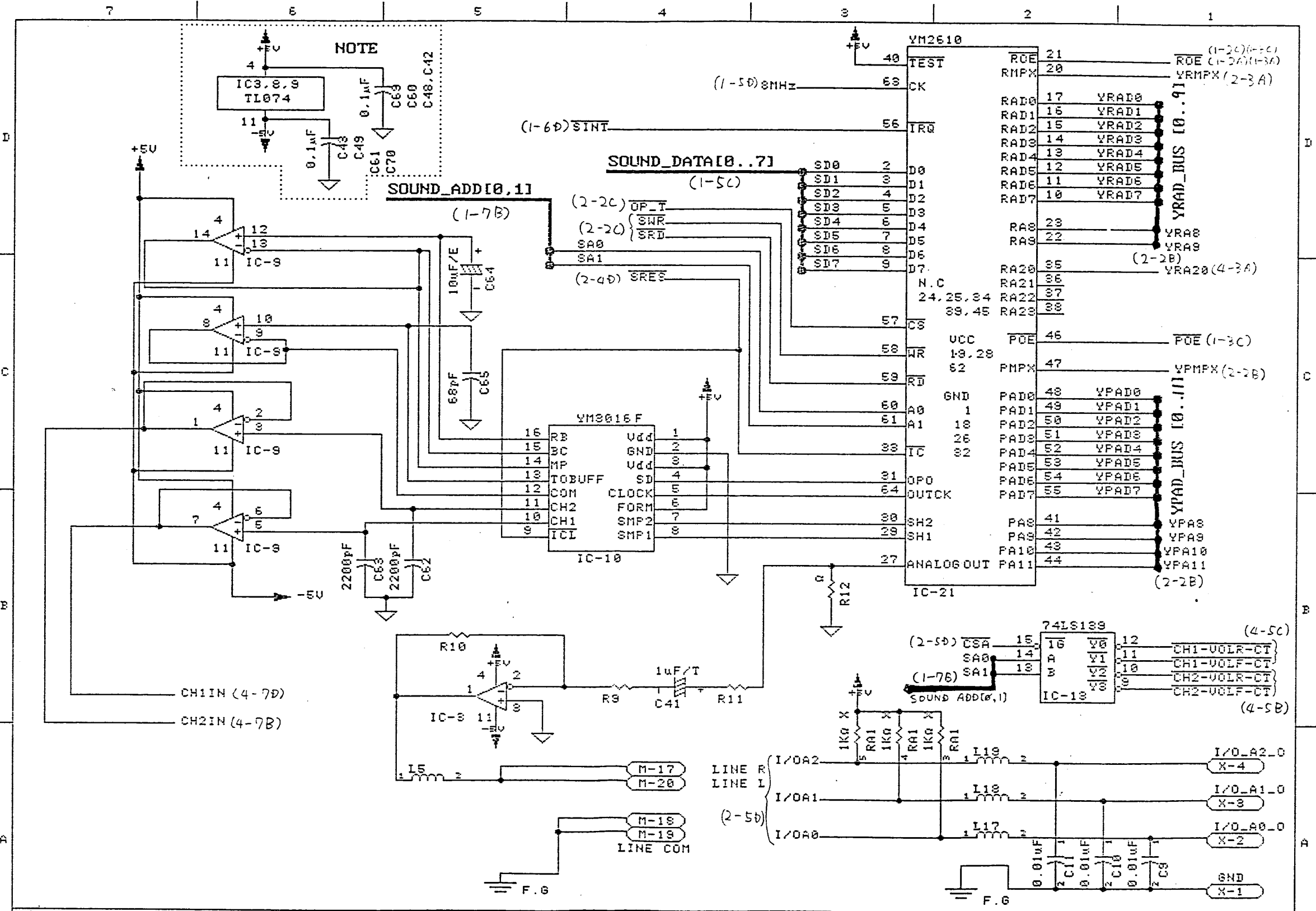
REVISIONS			
LTR	DESCRIPTION	DATE	APPROVED



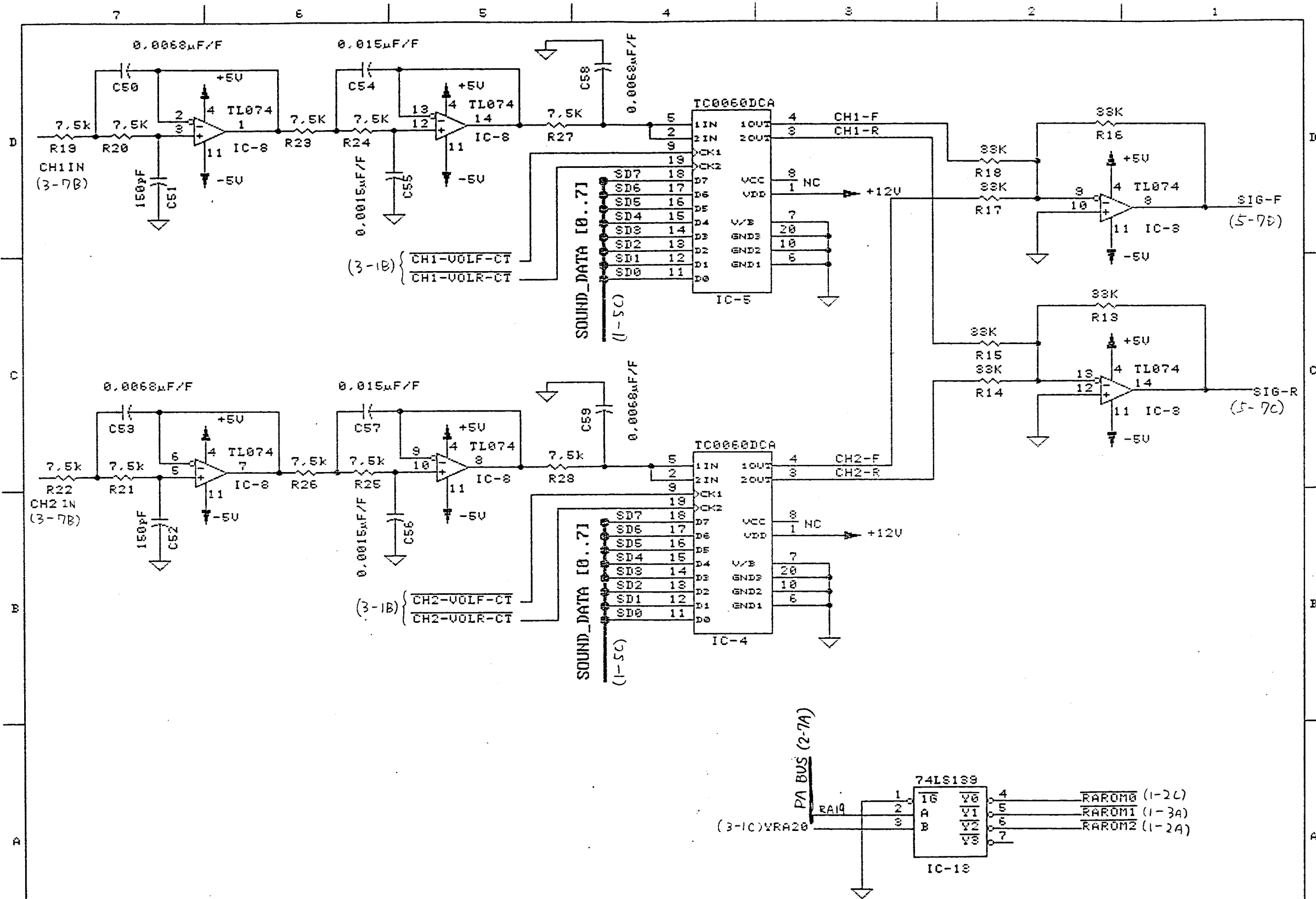
DRAWN 1.19.88	TAITO CORPORATION	
DESIGN S. Yoshida	NAME	SOUND P.C.B.
CHECK 1.22.88 I. Sugawara	SCHEMATIC DIAGRAM	
APPROVED	SIZE CODE A3	DWG. NO. W51 00250A
APPROVED	SCALE	RELEASE DATE
		SHEET 1/6



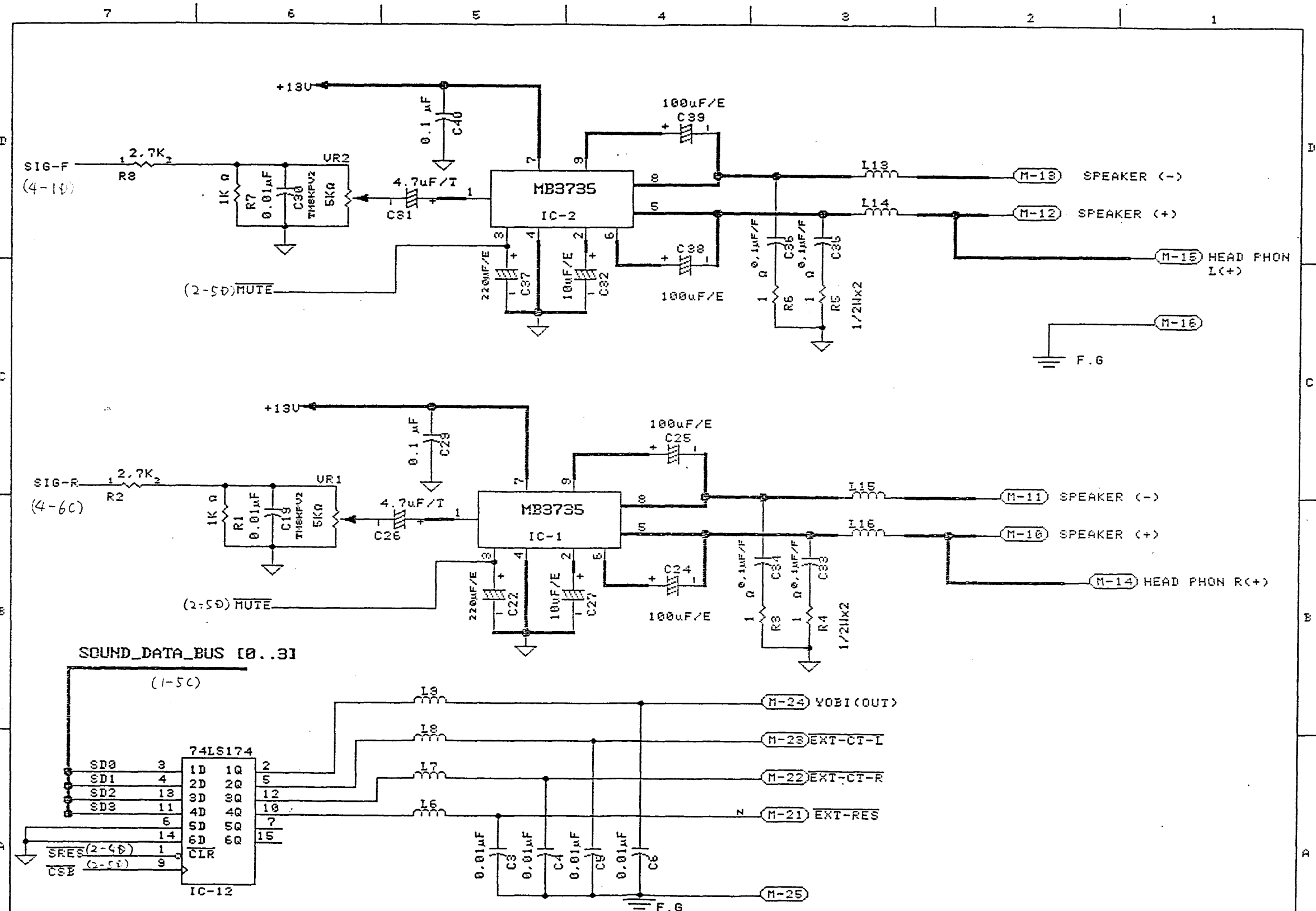
PROJECT	TITLE	DESIGN	DRIVING DAYS	SIZE	TAITO CORPORATION	SHEET
	W5100250A	S. Touchida	1.19.88'	A3		2/6



PROJECT	TITLE	DESIGN	DRAWING DAYS	SIZE	TAITO CORPORATION	SHEET
	W5100250A	S. Tsuchida	1.19.88'	A3		3/6



PROJECT	TITLE	DESIGN	DRAWING DAYS	SIZE	TAITO CORPORATION	SHEET
	W5100250A	S. Tsuchida	1. 19. 88'	A3		4/6



PROJECT	TITLE	DESIGN	DRWING DAYS	SIZE	TAITO CORPORATION	SHEET
	W5100250A	S. Tsuchida	1.19.88'	A3		5/6