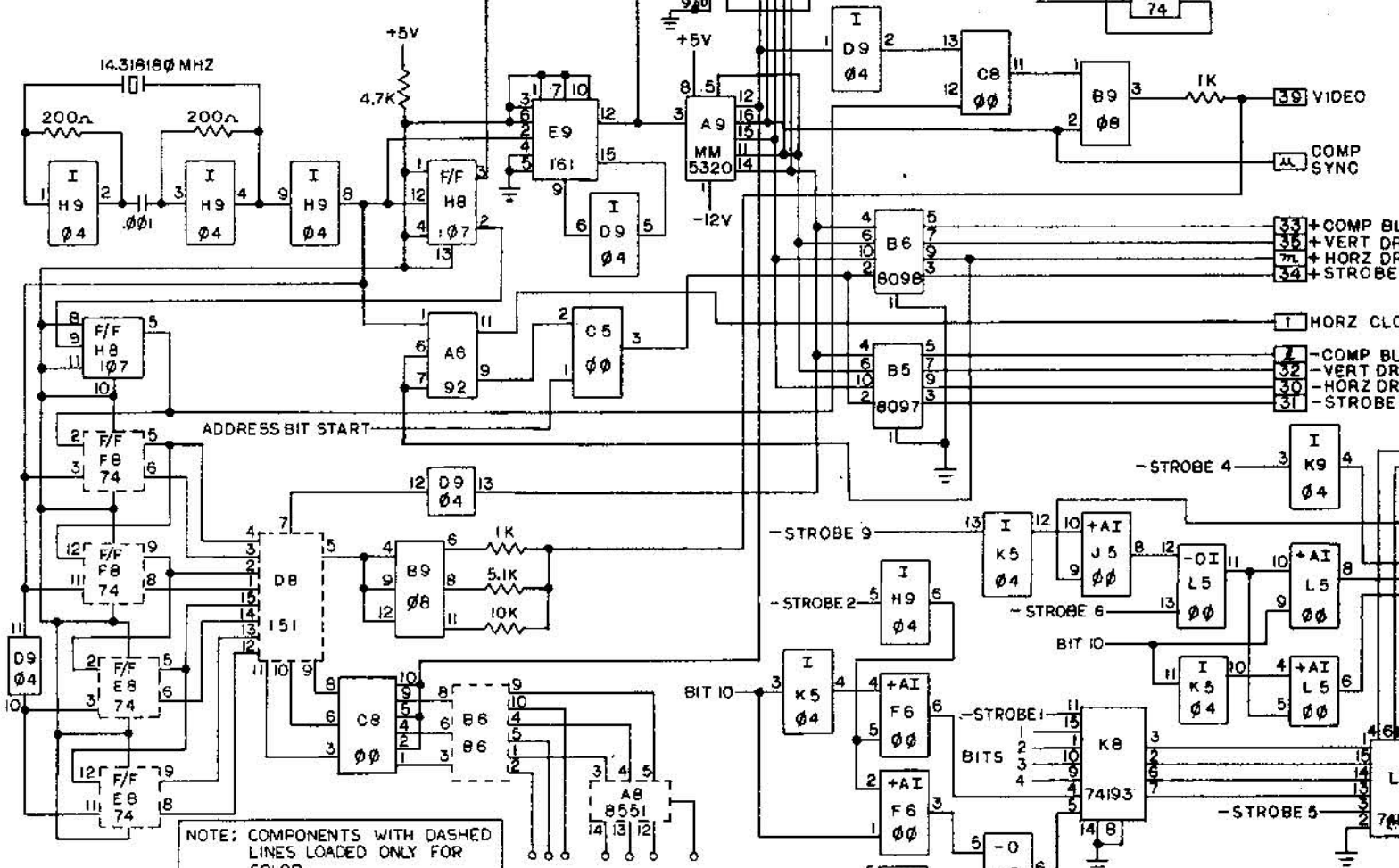
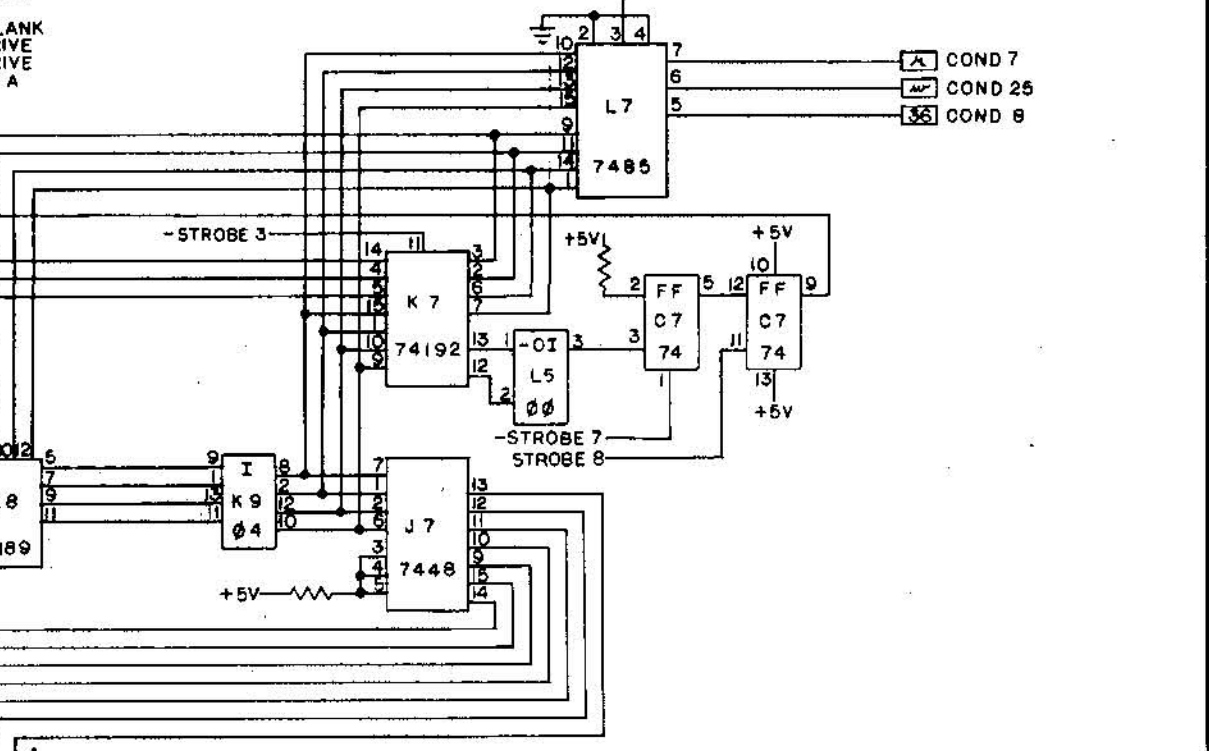


REVISIONS				
ISSUE	DESCRIPTION	DATE	APPROVAL	

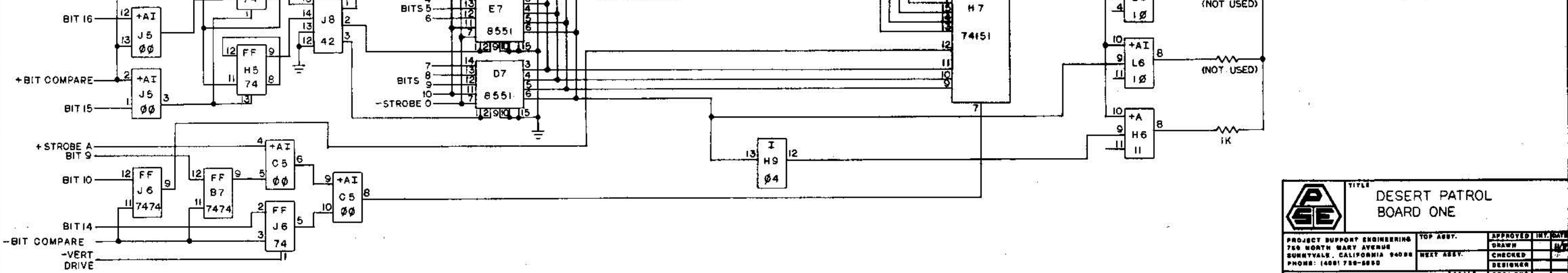
SYNC GENERATION



SCORE STORAGE AND DISPLAY

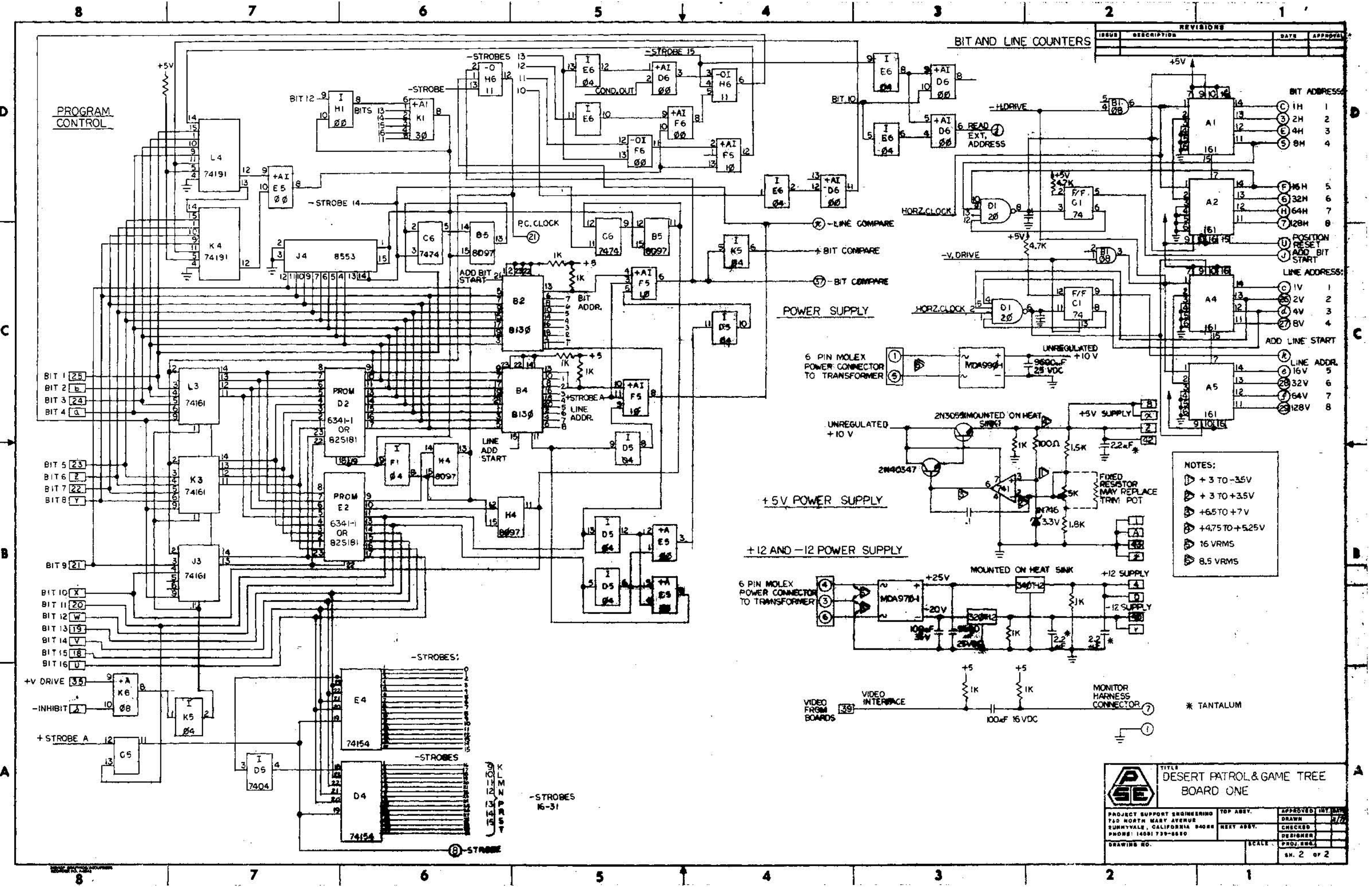


SCORE SEGMENT SELECTION



NOTE: COMPONENTS WITH DASHED LINES LOADED ONLY FOR COLOR.

	TITLE DESERT PATROL BOARD ONE		
	PROJECT SUPPORT ENGINEERING 750 NORTH BARRY AVENUE SUNNYVALE, CALIFORNIA 94088 PHONE: (408) 750-8850	TOP ASST. DRAWN	APPROVED INT. DATE
		BEST ASST. CHECKED	
		DESIGNER	
	DRAWING NO.	SCALE	PROJ. ENG.
		SH. 1 OF 2	

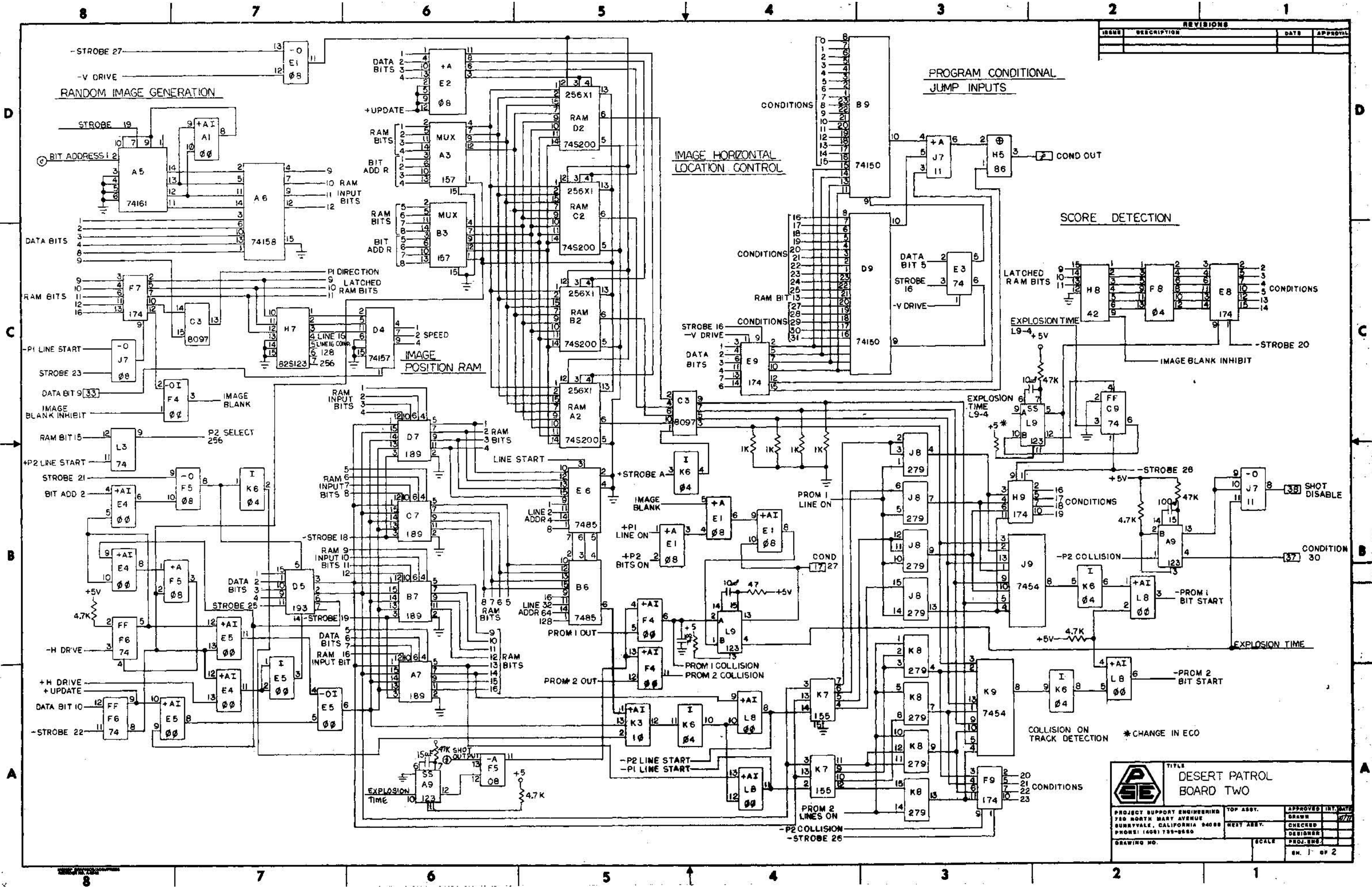


ISSUE	DESCRIPTION	DATE	APPROVAL

- NOTES:
- ▶ +3 TO -3.5V
  - ▶ +3 TO +3.5V
  - ▶ +6.5 TO +7V
  - ▶ +4.75 TO +5.25V
  - ▶ 16 VRMS
  - ▶ 8.5 VRMS

		<b>TITLE</b> DESERT PATROL & GAME TREE BOARD ONE	
PROJECT SUPPORT ENGINEERING 740 NORTH MARY AVENUE SUNNYVALE, CALIFORNIA 94086 PHONE: 408/739-8800	TOP ASST. NEXT ASST.	APPROVED BY DRAWN CHECKED DESIGNER PROJ. ENG.	DATE 9/77
DRAWING NO.		SCALE	
		SH. 2 OF 2	

REVISIONS			
ISSUE	DESCRIPTION	DATE	APPROVAL



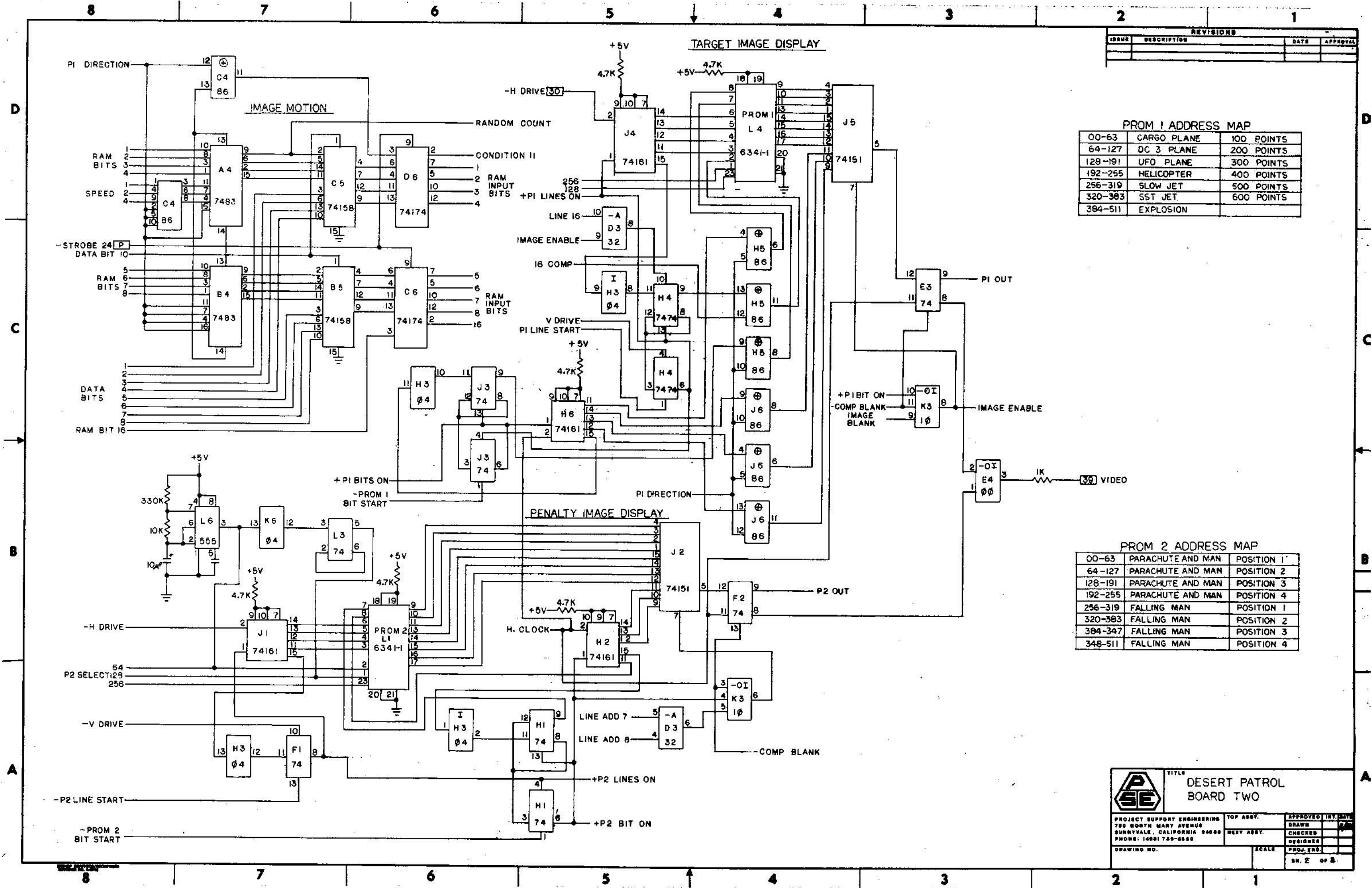
**DESERT PATROL BOARD TWO**

PROJECT SUPPORT ENGINEERING  
 740 NORTH BART AVENUE  
 SUNNYVALE, CALIFORNIA 94088  
 PHONE: (408) 739-8660

TOP ASST. \_\_\_\_\_  
 REST ASST. \_\_\_\_\_  
 DRAWN \_\_\_\_\_  
 CHECKED \_\_\_\_\_  
 DESIGNER \_\_\_\_\_  
 PROJECT ENG. \_\_\_\_\_

SCALE \_\_\_\_\_  
 SH. 1 OF 2

REVISIONS			
ISSUE	DESCRIPTION	DATE	APPROVAL



PROM 1 ADDRESS MAP

00-63	CARGO PLANE	100 POINTS
64-127	DC 3 PLANE	200 POINTS
128-191	UFO PLANE	300 POINTS
192-255	HELICOPTER	400 POINTS
256-319	SLOW JET	500 POINTS
320-383	SST JET	600 POINTS
384-511	EXPLOSION	

PROM 2 ADDRESS MAP

00-63	PARACHUTE AND MAN	POSITION 1
64-127	PARACHUTE AND MAN	POSITION 2
128-191	PARACHUTE AND MAN	POSITION 3
192-255	PARACHUTE AND MAN	POSITION 4
256-319	FALLING MAN	POSITION 1
320-383	FALLING MAN	POSITION 2
384-347	FALLING MAN	POSITION 3
348-511	FALLING MAN	POSITION 4

**DESERT PATROL BOARD TWO**

PROJECT SUPPORT ENGINEERING  
780 NORTH MARY AVENUE  
SUNNYVALE, CALIFORNIA 94086  
PHONE: (408) 739-6650

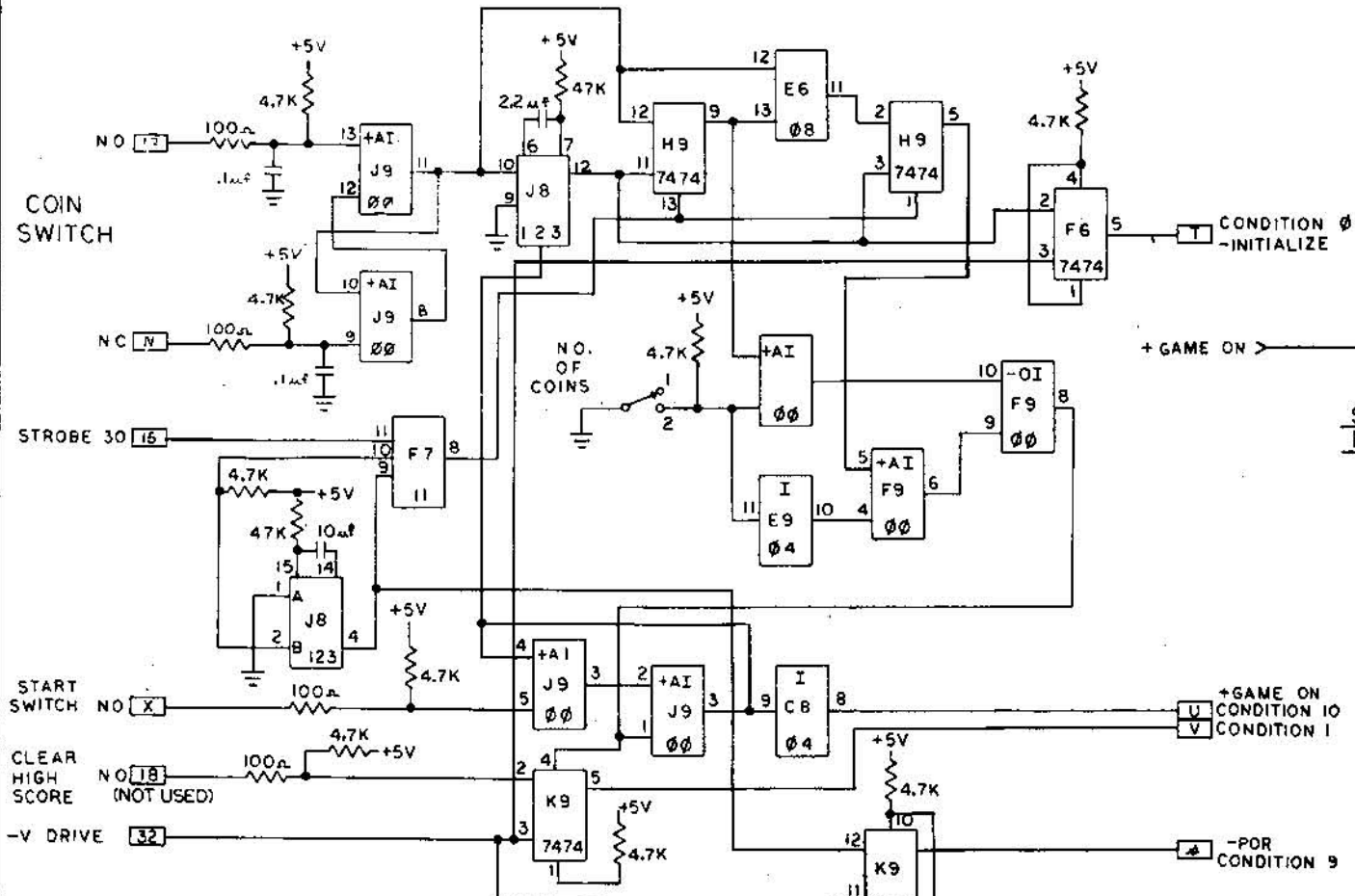
TOP ASST. \_\_\_\_\_  
DESIGNED \_\_\_\_\_  
DRAWN \_\_\_\_\_  
CHECKED \_\_\_\_\_  
PROJ. ENG. \_\_\_\_\_

DRAWING NO. \_\_\_\_\_ SCALE \_\_\_\_\_

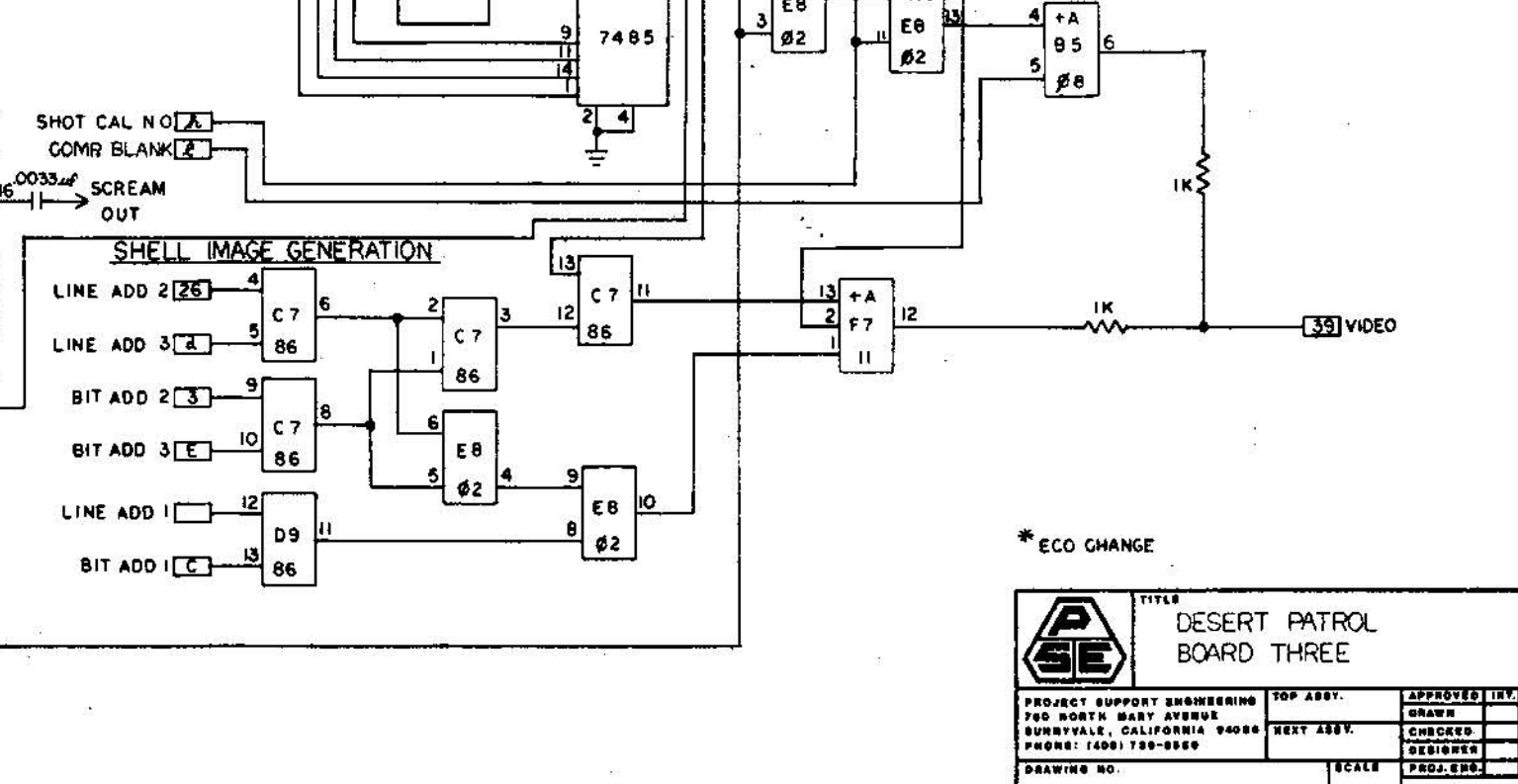
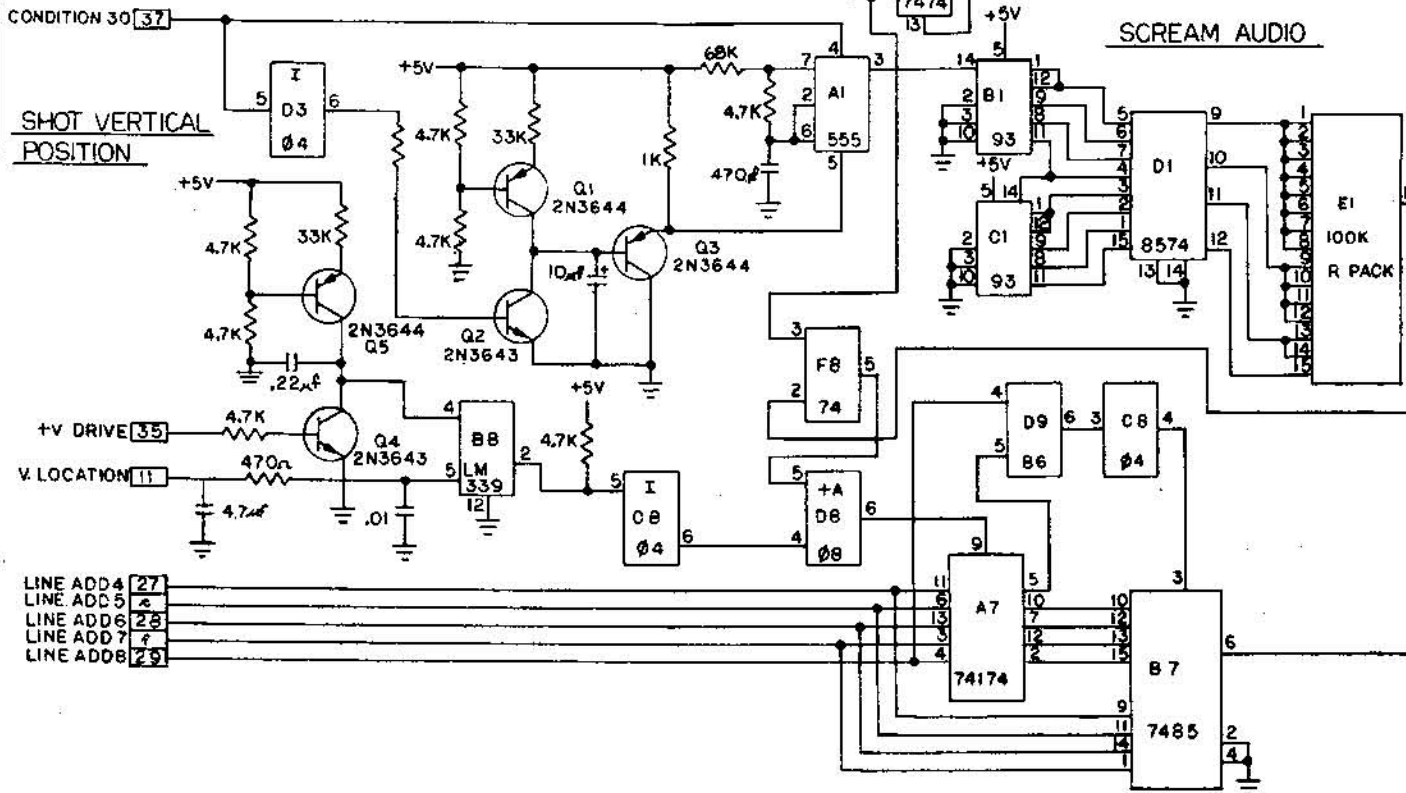
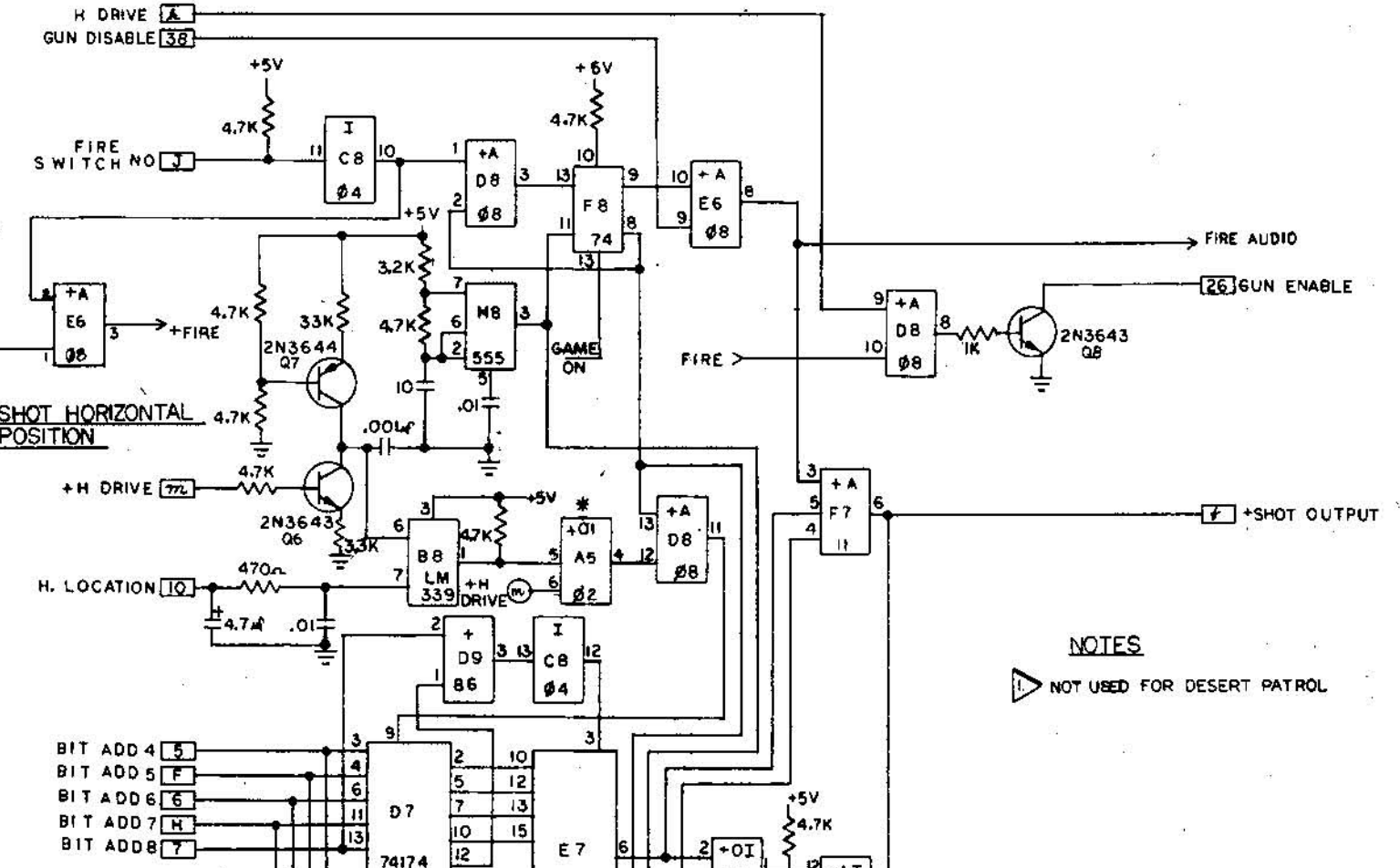
SN. 2 OF 8

REVISIONS			
NO.	DESCRIPTION	DATE	APPROVAL

### COIN IN CONTROL



### SHOT GENERATION

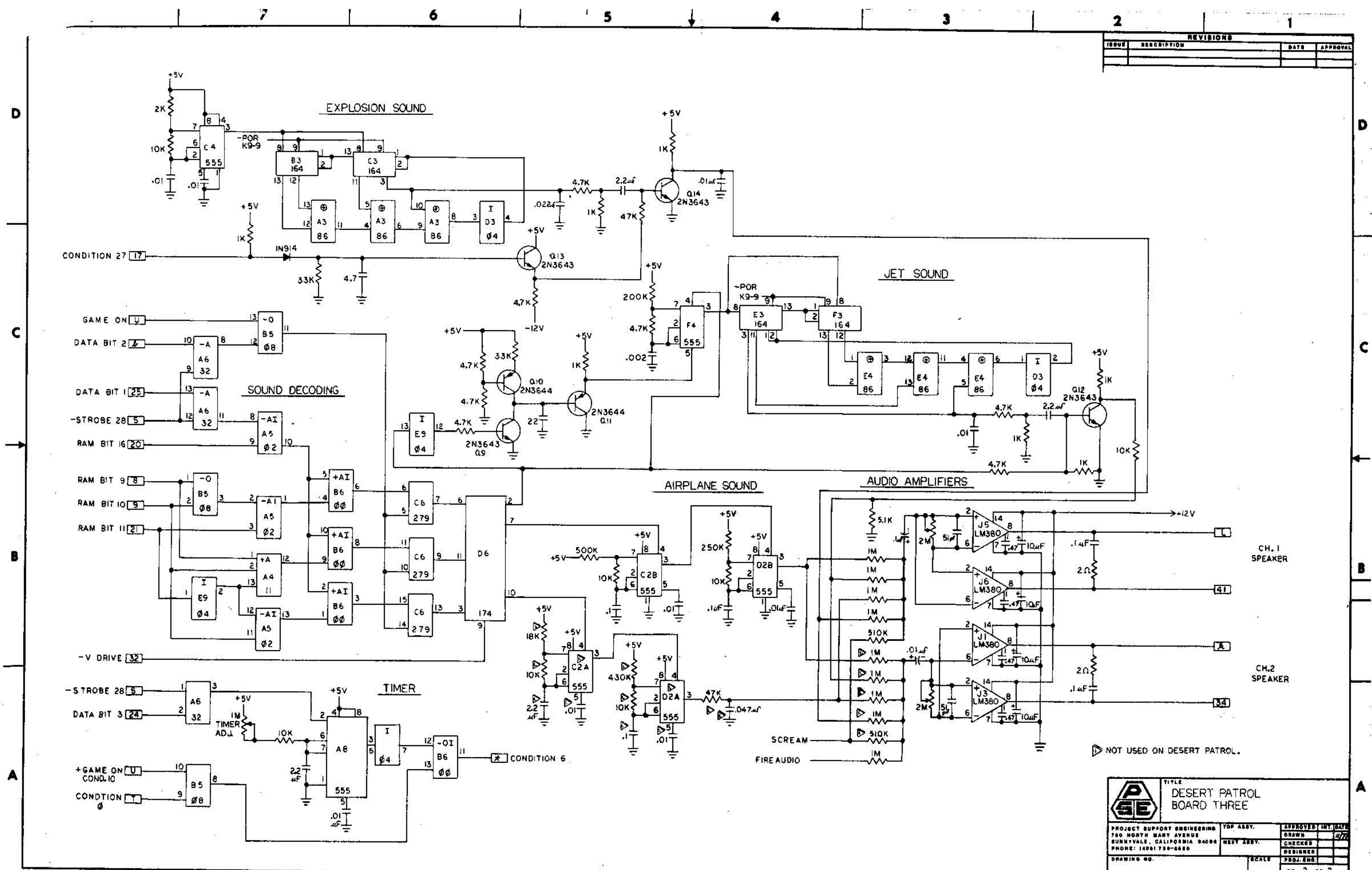


NOTES  
 1. NOT USED FOR DESERT PATROL

\* ECO CHANGE

		<b>TITLE</b> DESERT PATROL BOARD THREE	
PROJECT SUPPORT ENGINEERING 750 NORTH BERRY AVENUE SUNNYVALE, CALIFORNIA 94086 PHONE: (408) 730-8860	TOP ASSY. NEXT ASSY.	APPROVED DRAWN CHECKED DESIGNER PROJ. ENG.	INV. DATE 7/72
DRAWING NO.	SCALE	SH. / OF 2	

REVISIONS			
ISSUE	DESCRIPTION	DATE	APPROVAL



	TITLE	
	DESERT PATROL BOARD THREE	
PROJECT SUPPORT ENGINEERING	TOP ASST.	APPROVED (INITIALS)
780 NORTH MARY AVENUE	DRAWN	4/77
SUNNYVALE, CALIFORNIA 94086	CHECKED	
PHONE: (408) 739-6600	DESIGNED	
DRAWING NO.	SCALE	PROJ. ENG.