

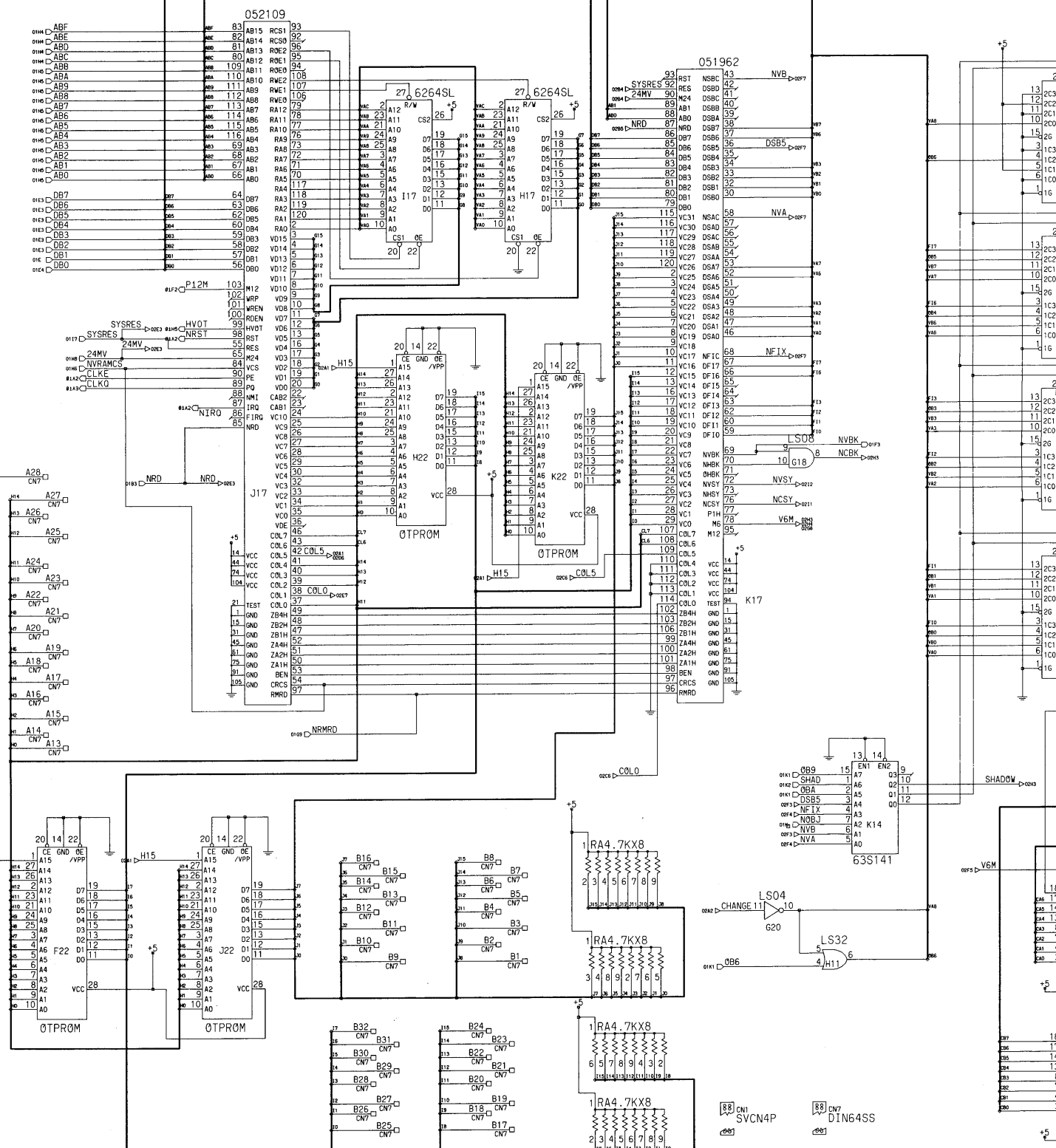
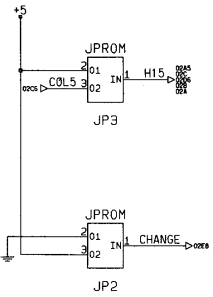
- NOTE**
- +5 : VCC(+5V)
 - +12 : VCC(+12V)
 - ⊥ : GND
- JAMMA □ JAMMA EDGE 56P
- PIN NO.
ALPHABET: SOLDER SIDE
NUMBER: PARTS SIDE
/A/: SMALL LETTER
- CN1 □ 4P SV CONNECTOR
 - CN2 □ 6P VH CONNECTOR
 - CN3 □ 15P NH CONNECTOR
 - CN4 □ 15P NH CONNECTOR
 - CN5 □ 64P DIN CONNECTOR
 - CN6 □ 64P DIN CONNECTOR
 - CN7 □ 64P DIN CONNECTOR
 - CN8 □ 64P DIN CONNECTOR

KINDS OF CAPACITOR

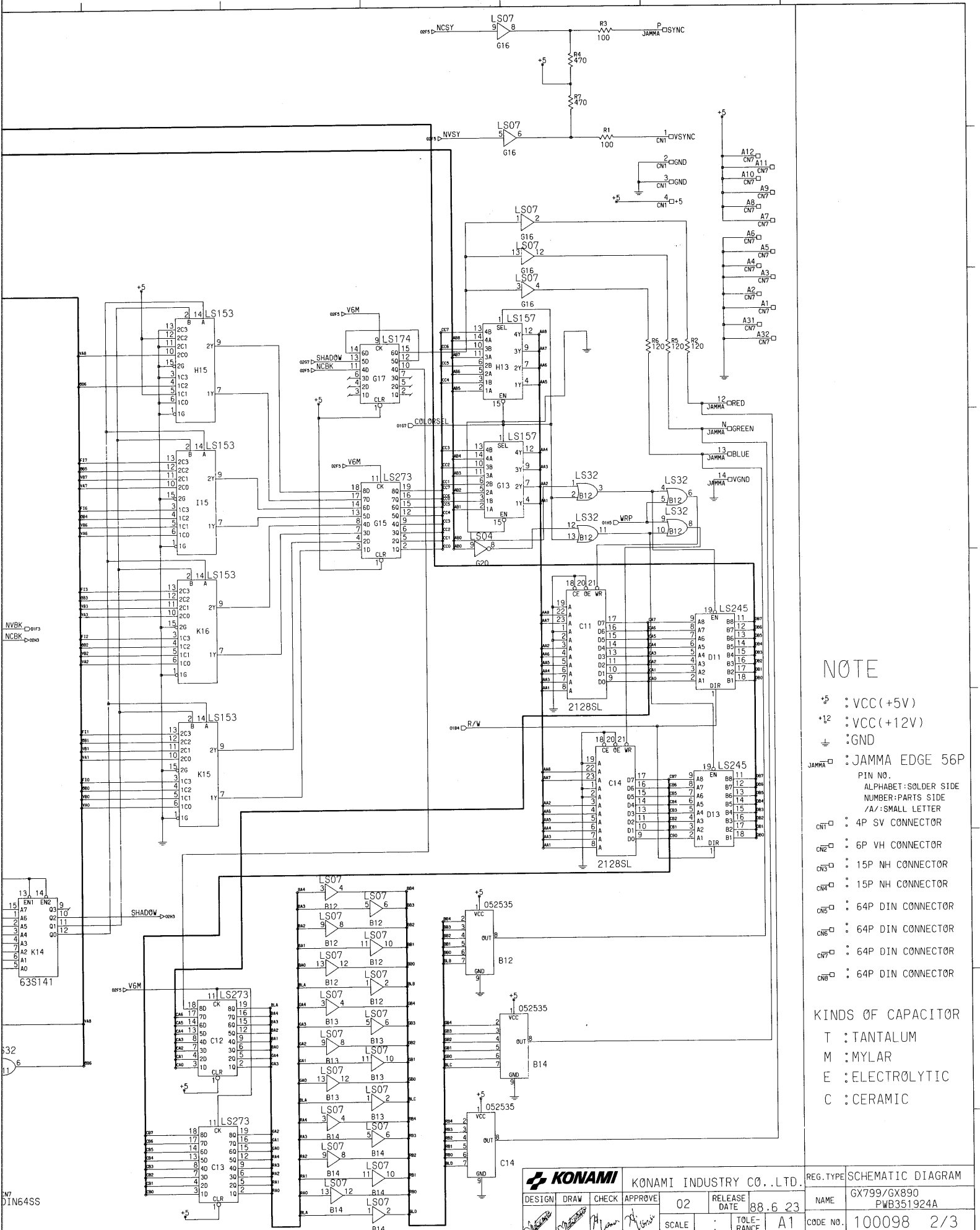
- T : TANTALUM
- M : MYLAR
- E : ELECTROLYTIC
- C : CERAMIC

**DEVASTATORS:
Part No. 890401**

KONAMI				KONAMI INDUSTRY CO., LTD.				REG. TYPE	SCHMATIC DIAGRAM
DESIGN	DRAW	CHECK	APPROVE	01	RELEASE DATE	88.6.23	NAME	GX799/GX890 PWB351024A	
SCALE	TOLE-RANCE	A1	CODE NO.	100098	1/3				



88 CN1 SVCN4P
88 CN7 DIN64SS



NOTE

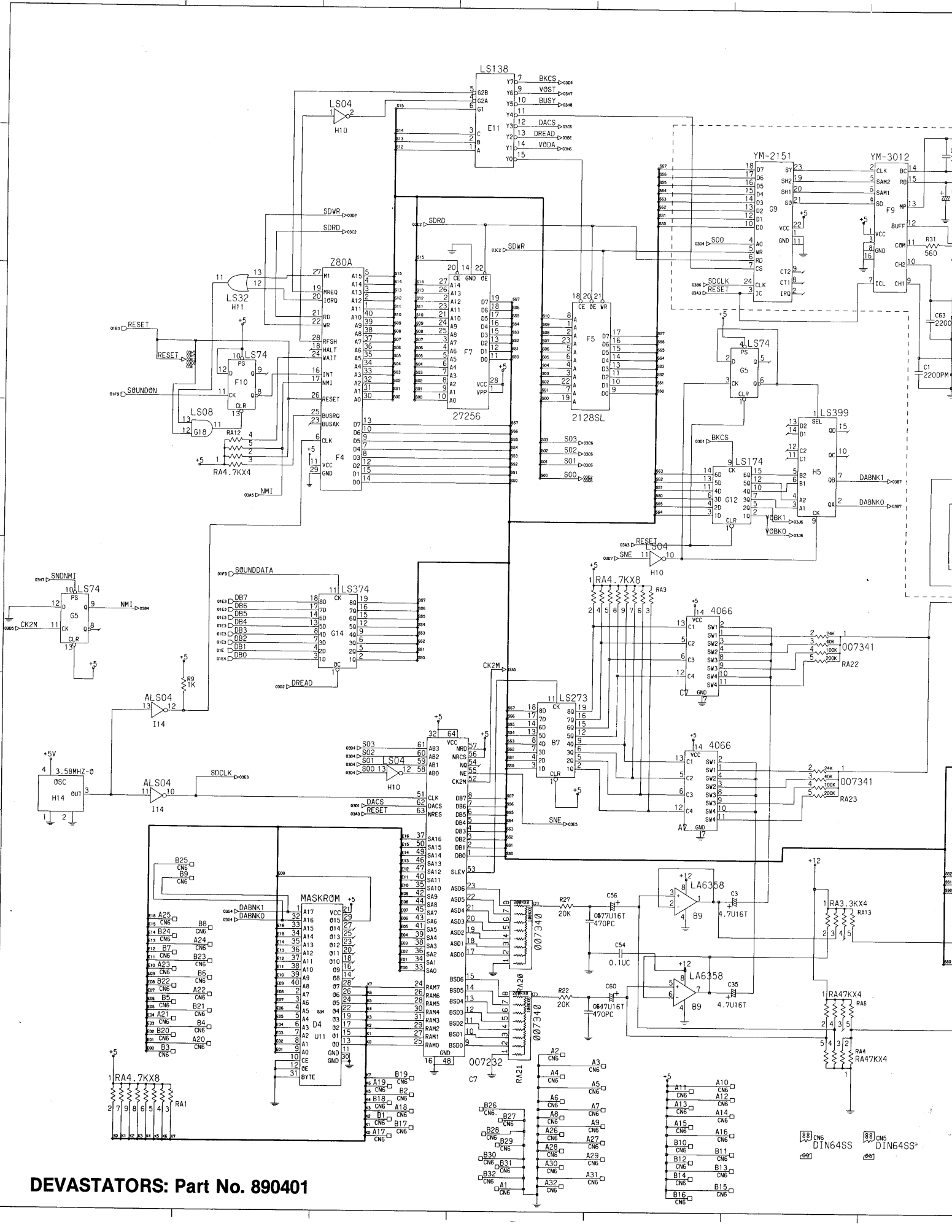
- *5 : VCC (+5V)
- *12 : VCC (+12V)
- ⊥ : GND
- JAMMA □ : JAMMA EDGE 56P
PIN NO.
ALPHABET: SOLDER SIDE
NUMBER: PARTS SIDE
/A/: SMALL LETTER
- CNT □ : 4P SV CONNECTOR
- CN2 □ : 6P VH CONNECTOR
- CN3 □ : 15P NH CONNECTOR
- CN4 □ : 15P NH CONNECTOR
- CN5 □ : 64P DIN CONNECTOR
- CN6 □ : 64P DIN CONNECTOR
- CN7 □ : 64P DIN CONNECTOR
- CN8 □ : 64P DIN CONNECTOR

KINDS OF CAPACITOR

- T : TANTALUM
- M : MYLAR
- E : ELECTROLYTIC
- C : CERAMIC

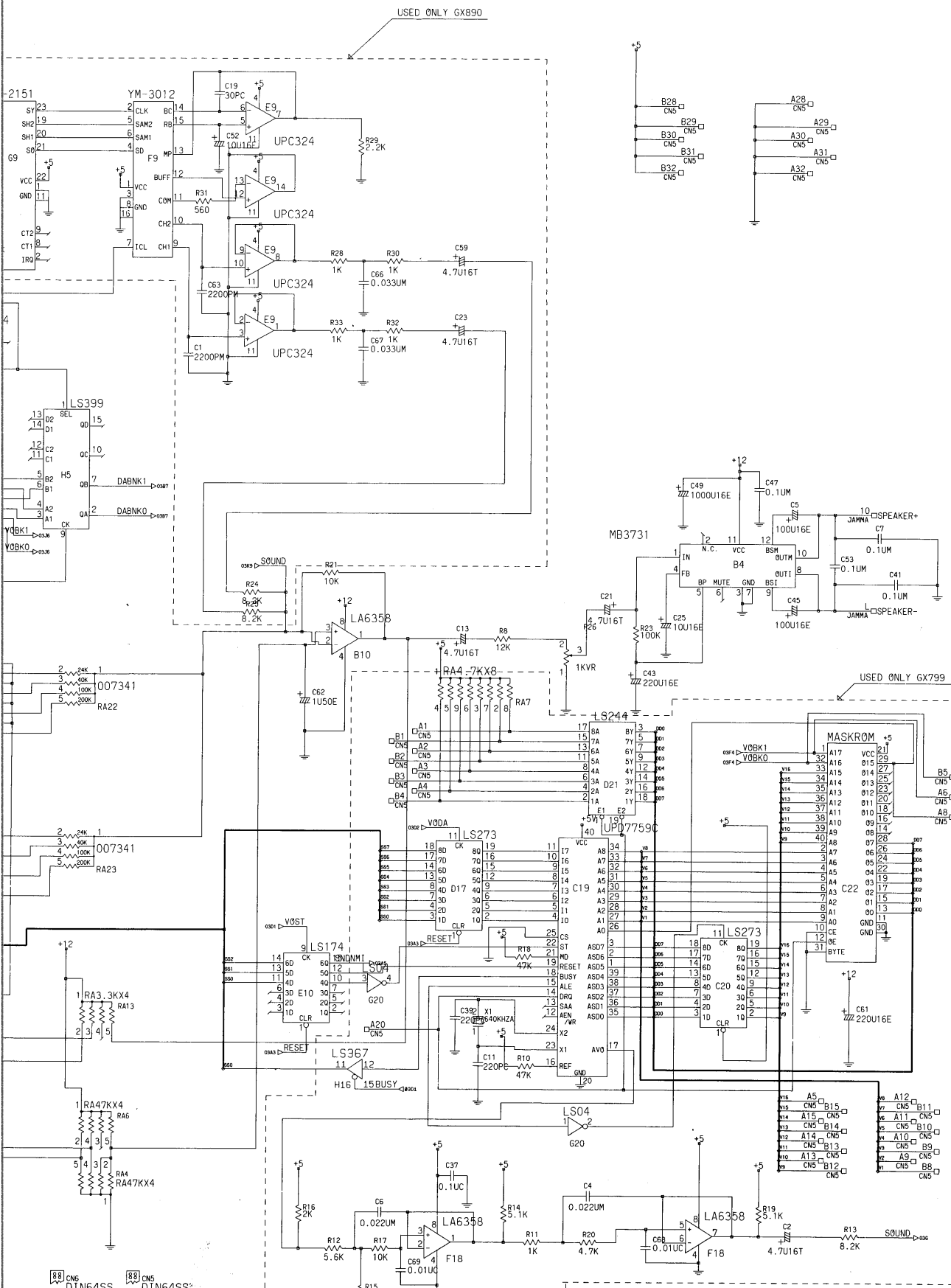
KONAMI				KONAMI INDUSTRY CO., LTD.		REG. TYPE	SCHEMATIC DIAGRAM
DESIGN	DRAW	CHECK	APPROVE	02	RELEASE DATE	88.6.23	NAME
					SCALE	TOLE-RANCE	A1
						CODE NO.	100098 2/3

1N7
1N64SS



DEVASTATORS: Part No. 890401

88 CN6 DIN64SS
83 CN6 DIN64SS



- NOTE**
- +5 : VCC(+5V)
 - +12 : VCC(+12V)
 - ⊥ : GND
 - JAMMA □ : JAMMA EDGE 56P
 - PIN NO.
 - ALPHABET: SOLDER SIDE
 - NUMBER: PARTS SIDE
 - /A/: SMALL LETTER
 - CNT □ : 4P SV CONNECTOR
 - CN2 □ : 6P VH CONNECTOR
 - CN3 □ : 15P NH CONNECTOR
 - CN4 □ : 15P NH CONNECTOR
 - CN5 □ : 64P DIN CONNECTOR
 - CN6 □ : 64P DIN CONNECTOR
 - CN7 □ : 64P DIN CONNECTOR
 - CN8 □ : 64P DIN CONNECTOR

KINDS OF CAPACITOR

- T : TANTALUM
- M : MYLAR
- E : ELECTROLYTIC
- C : CERAMIC

KONAMI				KONAMI INDUSTRY CO., LTD.		REG. TYPE	SCHEMATIC DIAGRAM
DESIGN	DRAW	CHECK	APPROVE	03	RELEASE DATE	88.6.23	NAME
				SCALE	TOLE-RANCE	A1	CODE NO.
						GX799/GX890 PWB351024A	
						100098 3/3	