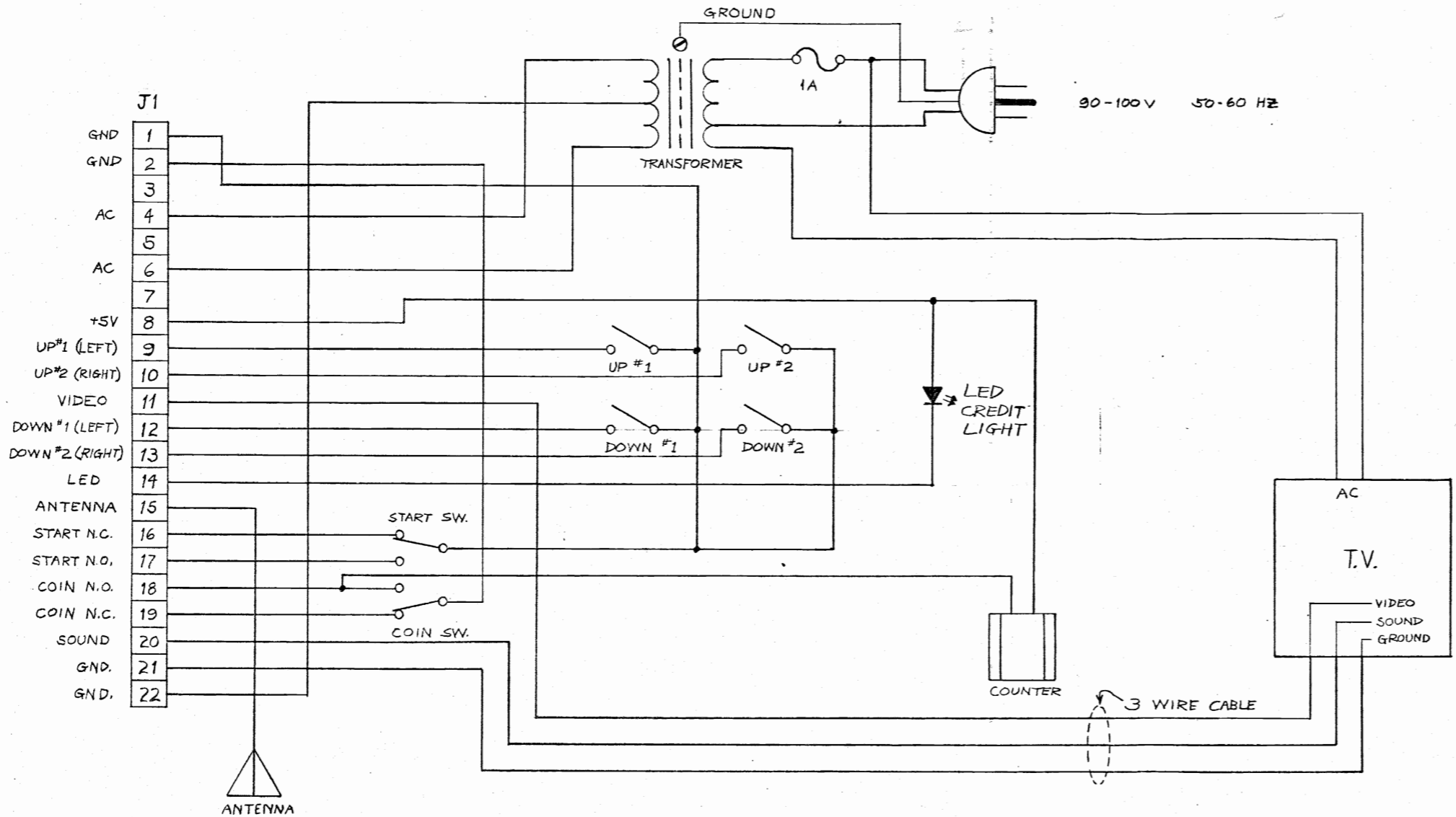


| REVISIONS | | | | |
|-----------|-----------------------|-------------------|-------|-------------|
| SYM | DESCRIPTION | INITIALS and DATE | | |
| | | DRFTG | CHECK | ENGRG |
| A | REL. TO PROD. REDRAWN | 5/16/74 | DF | |
| B | REV. PER ECN 517 | 6/24/74 | DF | WMP 6/15 |



1. ALL SWITCHES SHOWN IN THEIR NORMAL POSITIONS

NOTES:

NOTICE TO ALL PERSONS RECEIVING THIS DRAWING
 CONFIDENTIAL: Reproduction Forbidden without the specific written permission of Atari Inc., Los Gatos, California. This drawing is only conditionally issued, and neither receipt nor possession thereof confers or transfers any right in, or license to use, the subject matter of the drawing or any design or technical information shown thereon, nor any right to reproduce this drawing or any part thereof, except for manufacture by vendors for Atari Incorporated and for manufacture under the corporation's written license, no right to reproduce this drawing is granted or the subject matter thereof unless by written agreement with or written permission from the corporation.

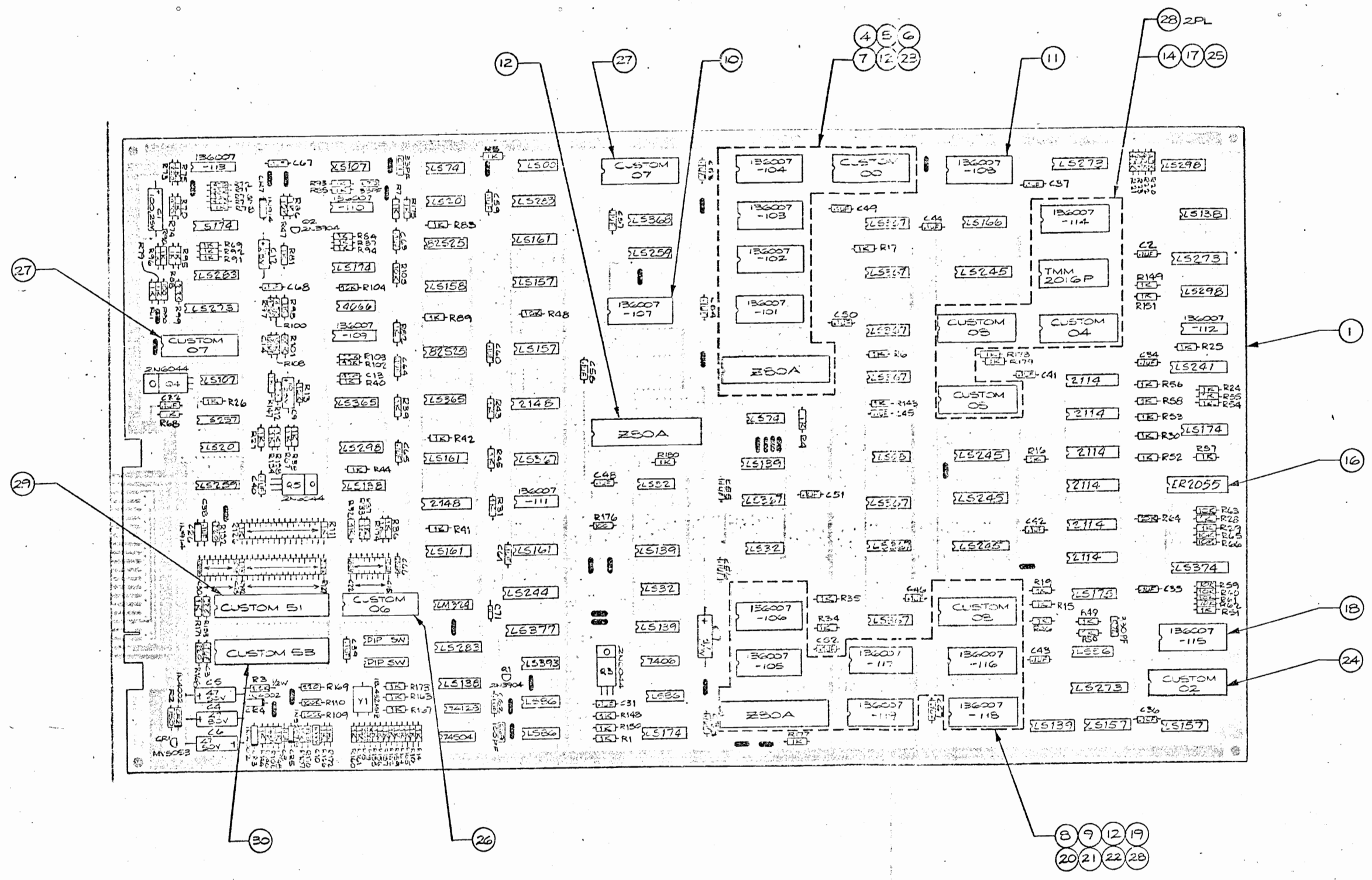
| | |
|------------|-------------|
| SPACE RACE | USED ON |
| NEXT ASSY | APPLICATION |

| | | | |
|--|--|--|---|
| INTERPRET THIS DRAWING PER USASI Y14.5 | DRAWN BY T. Fowlks | DATE 5/16/74 | ATARI INCORPORATED 14600 Winchester Boulevard Los Gatos, California 95030 |
| UNLESS OTHERWISE SPECIFIED DIMENSIONS ARE IN INCHES TOLERANCES ON: | CHECKED | DESIGN ENGINEER | |
| FRACTIONS = ±1/16 .x = ±.1 | PROJECT ENGINEER <i>[Signature]</i> | DOCUMENT CONTROL <i>[Signature]</i> | TITLE WIRING HARNESS S.R. |
| ANGLES = ±1° .xx = ±.03 | APPROVED <i>[Signature]</i> 6/25/74 | SIZE C | DRAWING NO. 000771 |
| SURFACE FINISH ✓ .xxx = ±.010 | MATERIAL: | SCALE NONE | REV B |
| | | SHEET 1 OF 1 | |

DRAWING NO. 000771
 SHEET 1/1
 REV B

A

| REVISIONS | | | | | |
|-----------|-------------------------|------|-------|-------|----------|
| SYM | DESCRIPTION | DATE | INCRP | CHECK | APPROVED |
| A | FROD - REL | 3/82 | RH | RJ | |
| B | ECN 9436 9466 9523 9575 | 3/82 | TP | RS | |

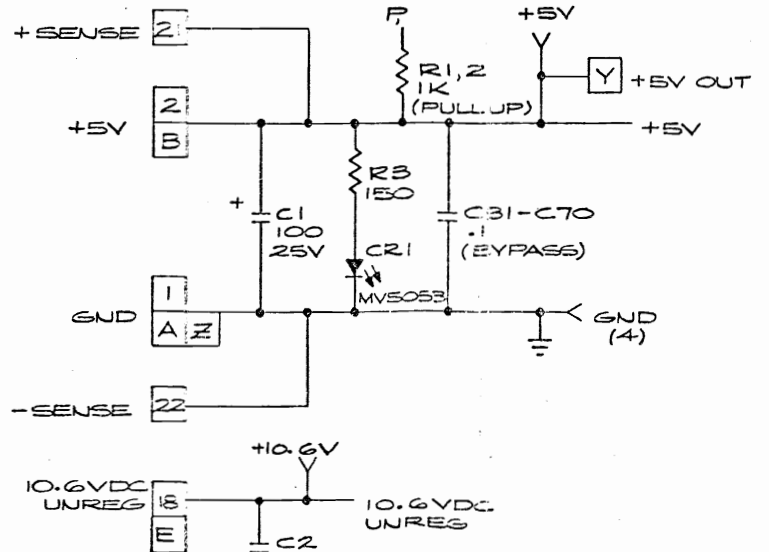


| | | | | | | | | | |
|------------------|--|--|--|-------------------------------------|--|---------------|--|--|--|
| DIS DUG | | DO NOT SCALE DRAWING | | DRAWN BY: <i>Base Build 2/20/82</i> | | DATE: 3/12/82 | | ATARI | |
| NEXT ASSY | | FIRST USED ON | | CHECKED BY: <i>RS</i> | | DATE: 3/12/82 | | 1265 BAYVIEW AVENUE SUNNYVALE, CALIF. 94086 | |
| OUTSTANDING ECNS | | UNLESS OTHERWISE SPECIFIED DIMENSIONS ARE IN INCHES TOLERANCES ON: | | ENGR, MECH | | DATE | | TITLE | |
| | | ANGLES: 30° ±.004 | | ENGR, ELECT | | DATE: 3/12/82 | | ASSY | |
| | | SURFACE FINISH: .0005 | | INDUSTRIAL DESIGN | | DATE | | DIG-DUG | |
| | | MATERIAL: | | HARNES DESIGN | | DATE | | PC BD | |
| | | FINISH: | | PROJECT ENGR | | DATE: 3/12/82 | | SIZE: D | |
| | | | | MFG ENGR | | DATE: 3/12/82 | | DRAWING NO: A038156-01 | |
| | | | | | | | | REV: B | |
| | | | | | | | | SCALE: 1:1 | |
| | | | | | | | | SHEET: OF: 1 | |

| IC CHART | | | | | |
|-----------|-------------------|-----|--------------|--------------|----------|
| DEVICE | VOLTAGE / PIN NO. | | UNUSED GATES | UNUSED GATES | |
| | GND | +5V | | 10.6V UNREG | -29V |
| 74LS00 | 7 | 14 | | | 6H |
| 7406 | 7 | 14 | | | 11K, 11K |
| 74LS08 | 7 | 14 | | | |
| 74LS20 | 7 | 14 | | | |
| 74LS32 | 7 | 14 | | | |
| 74LS74 | 7 | 14 | | | |
| 74LS86 | 7 | 14 | | | |
| 74LS107 | 7 | 14 | | | |
| 74128 | 7 | 14 | | | |
| 74LS138 | 8 | 16 | | | |
| 74LS139 | 8 | 16 | | | |
| 74LS157 | 8 | 16 | | | |
| 74LS158 | 8 | 16 | | | |
| 74LS161 | 8 | 16 | | | |
| 74LS166 | 8 | 16 | | | |
| 74LS174 | 8 | 16 | | | |
| 74LS175 | 8 | 16 | | | |
| 74LS241 | 10 | 20 | | | |
| 74LS244 | 10 | 20 | | | |
| 74LS245 | 10 | 20 | | | |
| 74LS257 | 8 | 16 | | | |
| 74LS259 | 8 | 16 | | | |
| 74LS273 | 10 | 20 | | | |
| 74LS283 | 8 | 16 | | | |
| 74LS293 | 8 | 16 | | | |
| 74LS365 | 8 | 16 | | | |
| 74LS367 | 8 | 16 | | | |
| 74LS368 | 8 | 16 | | | |
| 74LS374 | 10 | 20 | | | |
| 74LS377 | 10 | 20 | | | |
| 74LS393 | 7 | 14 | | | |
| 74S04 | 7 | 14 | | | |
| 74S174 | 8 | 16 | | | |
| 2532 | 12 | 24 | | | |
| LMB24 | 11 | | 4 | | 11H, 11H |
| ER2055 | 19 | 6 | | 14 | |
| 82S25 | 8 | 16 | | | |
| 82S123 | 8 | 16 | | | |
| 82S129 | 8 | 16 | | | |
| 2732 | 12 | 24 | | | |
| 2716 | 12 | 24 | | | |
| 2016 | 12 | 24 | | | |
| 2114 | 9 | 18 | | | |
| 2148 | 9 | 18 | | | |
| 4066 | 7 | 14 | | | |
| 380A | 29 | 11 | | | |
| 2732A | 12 | 24 | | | |
| CUSTOM 00 | 14 | 28 | | | |
| 02 | 14 | 28 | | | |
| 04 | 14 | 28 | | | |
| 06 | 14 | 28 | | | |
| 07 | 14 | 28 | | | |
| 08 | 14 | 28 | | | |
| 51 | 21 | 42 | | | |
| CUSTOM 53 | 21 | 42 | | | |

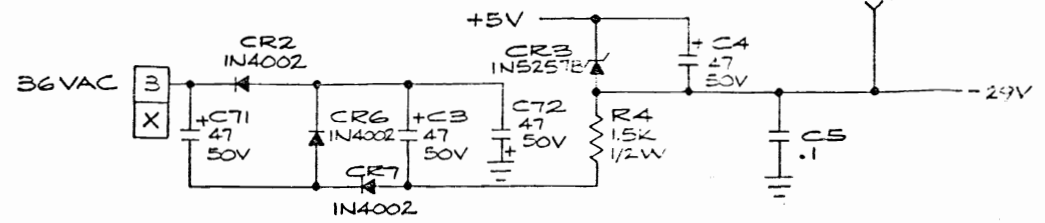
| ADDRESS | DATA | FUNCTION |
|-----------|-------------------------------|----------------------------|
| 0000-3FFF | 00 AAAAAAAAAAAAAA R DDDDDDD | MASTER Z80 ROM (16K) |
| 4000-7FFF | 00 AAAAAAAAAAAAAA R DDDDDDD | #2 Z80 ROM (8K) |
| 8000-BFFF | 00 AAAAAAAAAAAAAA R DDDDDDD | #3 Z80 ROM (8K) |
| C000-CFFF | 01 XXXX XXXX XXXX XXXX D | AUDIO CONTROL |
| D000-DFFF | 01 XXXX XXXX XXXX XXXX D | AUDIO CONTROL |
| E000-EFFF | 01 XXXX XXXX XXXX XXXX D | 0 = RESET IRQ (LATCHED) |
| F000-FFFF | 01 XXXX XXXX XXXX XXXX D | 0 = RESET IRQ |
| | | 0 = ENABLE NMIS |
| | | 0 = RESET Z80 #2 & #3 |
| | | CUSTOM 53 MODE CONTROL |
| | | " " " " " " " " |
| | | " " " " " " " " |
| 2800 | 01 0 XXXX XXXX XXXX XXXX D | WATCHDOG RESET |
| 7000 | 01 0 XXXX XXXX XXXX XXXX D | CUSTOM MP-EATA |
| 7100 | 01 0 XXXX XXXX XXXX XXXX D | CUSTOM MP-COMMAND |
| E200-B7FF | 10 0000 AAAAAA AAAA R DDDDDDD | 2K PLAYFIELD RAM |
| E800-8FFF | 10 01 AAAAAA AAAA R DDDDDDD | MOTION RAM (PIC COLOR) |
| 9000-9FFF | 10 01 AAAAAA AAAA R DDDDDDD | MOTION RAM (VIDEO #02) |
| 9800-9FFF | 10 01 AAAAAA AAAA R DDDDDDD | MOTION RAM (REF) |
| A000 | 01 0 XXXX XXXX XXXX XXXX D | PLAYFIELD SELECT (LATCHED) |
| A001 | 01 0 XXXX XXXX XXXX XXXX D | " " " " " " " " |
| A002 | 01 0 XXXX XXXX XXXX XXXX D | " " " " " " " " |
| A003 | 01 0 XXXX XXXX XXXX XXXX D | A/N COLOR SELECT |
| A004 | 01 0 XXXX XXXX XXXX XXXX D | PLAYFIELD ENABLE |
| A005 | 01 0 XXXX XXXX XXXX XXXX D | PLAYFIELD COLOR SELECT |
| A006 | 01 0 XXXX XXXX XXXX XXXX D | " " " " " " " " |
| A007 | 01 0 XXXX XXXX XXXX XXXX D | FLIP VIDEO |
| E800-E80F | 10 11 XXXX AAAAAA W DDDDDDD | WRITE EAROM ADDRESS DATA |
| E810 | 10 11 XXXX AAAAAA W DDDDDDD | READ EAROM DATA |
| E840 | 10 11 XXXX AAAAAA W DDDDDDD | WRITE EAROM CONTROL |

| REVISIONS | | | | | |
|-----------|-------------|---------|--------|-------|----------|
| SYM | DESCRIPTION | DATE | INCORP | CHECK | APPROVED |
| I | PROTO TYPE | 4/29/82 | JL | | |
| A | PRE PROD | 5/31/82 | DHL | | |
| B | PROD REL | 7/1/82 | JP | R | JL |



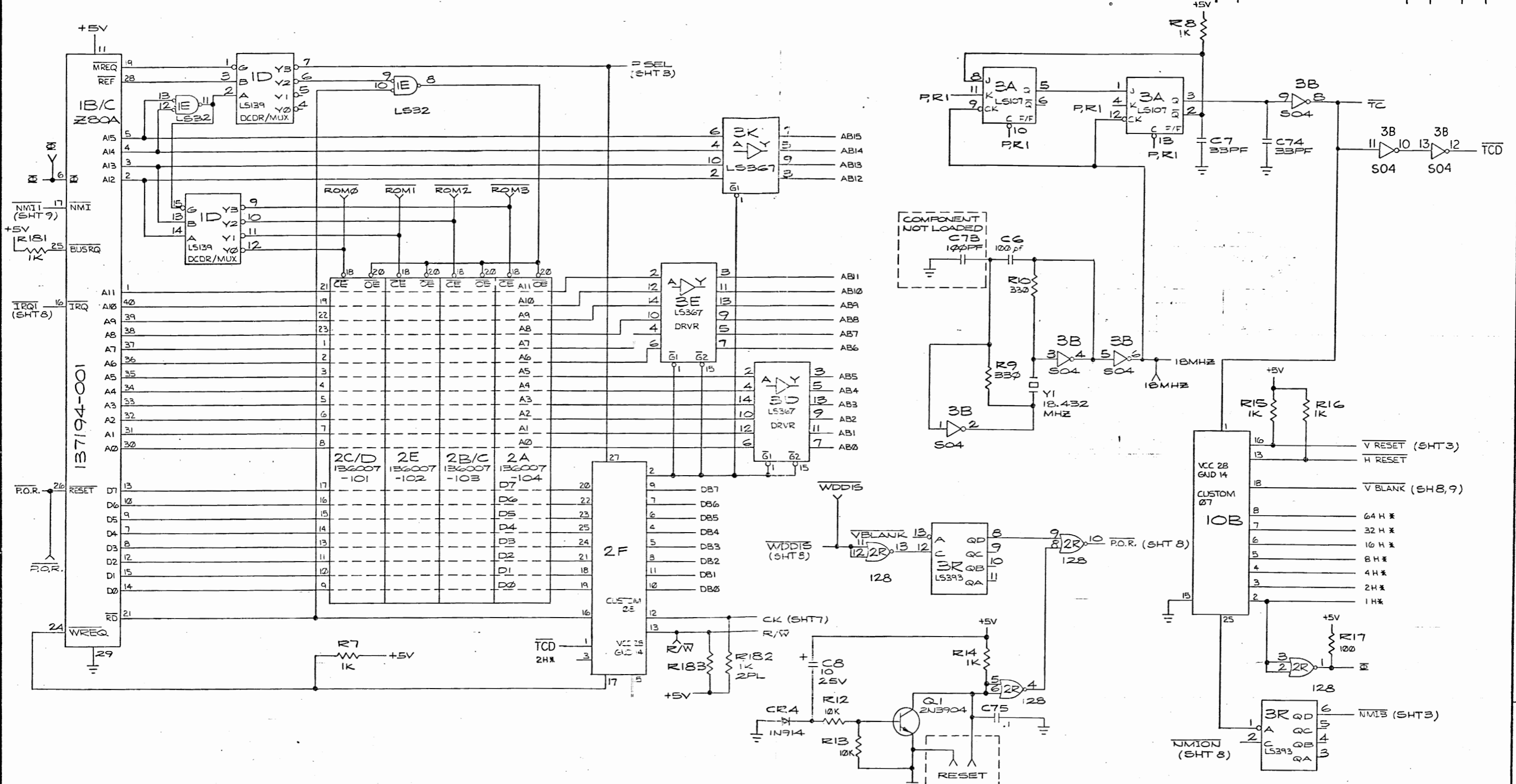
NOTE:
1. = J20 CONNECTOR

| DESIGNATOR | |
|------------|-------------------------------------|
| LAST USED | NOT USED |
| R185 | R5, 6, 11, 38, 40, 41, 48, 173, 174 |
| C75 | C73 |
| CR7 | |
| Q5 | |



| | | | | | | | | | | | | | | | | | | | | | | | | | | | | | | | | | | | | | | | | | | | | | | | | | | | | | | | | | | | | | | | | | | | | | | | | | | | | | | | | | |
|---|------------------------------|---------|------------|---|------|---------|------------|--|------|--|-------------|--|------|--|-------------------|--|------|--|---------------|--|------|--|---|------|---------|--------------|----|------|---------|----------|------------------------------|------|--|---|------|---------|------------|---|------|---------|------------|--|------|--|-------------|--|------|--|-------------------|--|------|--|---------------|--|------|--|---|-------------|--|----------------------|--|------------------------|--|-------|--|-----------|--|---------|--|-------|--|--------------|------|----------|------|------|--|-------|--|-------|--------|
| <table border="1"> <tr><td>DATE</td><td>5/19/82</td></tr> <tr><td>CHECKED BY</td><td>R</td></tr> <tr><td>DATE</td><td>5/19/82</td></tr> <tr><td>ENGR. MECH</td><td></td></tr> <tr><td>DATE</td><td></td></tr> <tr><td>ENGR. ELECT</td><td></td></tr> <tr><td>DATE</td><td></td></tr> <tr><td>INDUSTRIAL DESIGN</td><td></td></tr> <tr><td>DATE</td><td></td></tr> <tr><td>HARNES DESIGN</td><td></td></tr> <tr><td>DATE</td><td></td></tr> </table> | DATE | 5/19/82 | CHECKED BY | R | DATE | 5/19/82 | ENGR. MECH | | DATE | | ENGR. ELECT | | DATE | | INDUSTRIAL DESIGN | | DATE | | HARNES DESIGN | | DATE | | <table border="1"> <tr><td>DATE</td><td>5/19/82</td></tr> <tr><td>PROJECT ENGR</td><td>JL</td></tr> <tr><td>DATE</td><td>5/21/82</td></tr> <tr><td>MFG ENGR</td><td>R. Smith, A. Kelly, S. Hiler</td></tr> <tr><td>DATE</td><td></td></tr> </table> | DATE | 5/19/82 | PROJECT ENGR | JL | DATE | 5/21/82 | MFG ENGR | R. Smith, A. Kelly, S. Hiler | DATE | | <table border="1"> <tr><td>DATE</td><td>5/19/82</td></tr> <tr><td>CHECKED BY</td><td>R</td></tr> <tr><td>DATE</td><td>5/19/82</td></tr> <tr><td>ENGR. MECH</td><td></td></tr> <tr><td>DATE</td><td></td></tr> <tr><td>ENGR. ELECT</td><td></td></tr> <tr><td>DATE</td><td></td></tr> <tr><td>INDUSTRIAL DESIGN</td><td></td></tr> <tr><td>DATE</td><td></td></tr> <tr><td>HARNES DESIGN</td><td></td></tr> <tr><td>DATE</td><td></td></tr> </table> | DATE | 5/19/82 | CHECKED BY | R | DATE | 5/19/82 | ENGR. MECH | | DATE | | ENGR. ELECT | | DATE | | INDUSTRIAL DESIGN | | DATE | | HARNES DESIGN | | DATE | | <table border="1"> <tr><td colspan="2">ATARI, Inc.</td></tr> <tr><td colspan="2">1265 Borregas Avenue</td></tr> <tr><td colspan="2">Sunnyvale, Calif 94066</td></tr> <tr><td colspan="2">TITLE</td></tr> <tr><td colspan="2">SCHEMATIC</td></tr> <tr><td colspan="2">DIG DUG</td></tr> <tr><td colspan="2">PC BD</td></tr> <tr><td>PROJECT ENGR</td><td>DATE</td></tr> <tr><td>MFG ENGR</td><td>DATE</td></tr> <tr><td>DATE</td><td></td></tr> <tr><td>SCALE</td><td></td></tr> <tr><td>SHEET</td><td>1 OF 3</td></tr> </table> | ATARI, Inc. | | 1265 Borregas Avenue | | Sunnyvale, Calif 94066 | | TITLE | | SCHEMATIC | | DIG DUG | | PC BD | | PROJECT ENGR | DATE | MFG ENGR | DATE | DATE | | SCALE | | SHEET | 1 OF 3 |
| DATE | 5/19/82 | | | | | | | | | | | | | | | | | | | | | | | | | | | | | | | | | | | | | | | | | | | | | | | | | | | | | | | | | | | | | | | | | | | | | | | | | | | | | | | | |
| CHECKED BY | R | | | | | | | | | | | | | | | | | | | | | | | | | | | | | | | | | | | | | | | | | | | | | | | | | | | | | | | | | | | | | | | | | | | | | | | | | | | | | | | | |
| DATE | 5/19/82 | | | | | | | | | | | | | | | | | | | | | | | | | | | | | | | | | | | | | | | | | | | | | | | | | | | | | | | | | | | | | | | | | | | | | | | | | | | | | | | | |
| ENGR. MECH | | | | | | | | | | | | | | | | | | | | | | | | | | | | | | | | | | | | | | | | | | | | | | | | | | | | | | | | | | | | | | | | | | | | | | | | | | | | | | | | | |
| DATE | | | | | | | | | | | | | | | | | | | | | | | | | | | | | | | | | | | | | | | | | | | | | | | | | | | | | | | | | | | | | | | | | | | | | | | | | | | | | | | | | |
| ENGR. ELECT | | | | | | | | | | | | | | | | | | | | | | | | | | | | | | | | | | | | | | | | | | | | | | | | | | | | | | | | | | | | | | | | | | | | | | | | | | | | | | | | | |
| DATE | | | | | | | | | | | | | | | | | | | | | | | | | | | | | | | | | | | | | | | | | | | | | | | | | | | | | | | | | | | | | | | | | | | | | | | | | | | | | | | | | |
| INDUSTRIAL DESIGN | | | | | | | | | | | | | | | | | | | | | | | | | | | | | | | | | | | | | | | | | | | | | | | | | | | | | | | | | | | | | | | | | | | | | | | | | | | | | | | | | |
| DATE | | | | | | | | | | | | | | | | | | | | | | | | | | | | | | | | | | | | | | | | | | | | | | | | | | | | | | | | | | | | | | | | | | | | | | | | | | | | | | | | | |
| HARNES DESIGN | | | | | | | | | | | | | | | | | | | | | | | | | | | | | | | | | | | | | | | | | | | | | | | | | | | | | | | | | | | | | | | | | | | | | | | | | | | | | | | | | |
| DATE | | | | | | | | | | | | | | | | | | | | | | | | | | | | | | | | | | | | | | | | | | | | | | | | | | | | | | | | | | | | | | | | | | | | | | | | | | | | | | | | | |
| DATE | 5/19/82 | | | | | | | | | | | | | | | | | | | | | | | | | | | | | | | | | | | | | | | | | | | | | | | | | | | | | | | | | | | | | | | | | | | | | | | | | | | | | | | | |
| PROJECT ENGR | JL | | | | | | | | | | | | | | | | | | | | | | | | | | | | | | | | | | | | | | | | | | | | | | | | | | | | | | | | | | | | | | | | | | | | | | | | | | | | | | | | |
| DATE | 5/21/82 | | | | | | | | | | | | | | | | | | | | | | | | | | | | | | | | | | | | | | | | | | | | | | | | | | | | | | | | | | | | | | | | | | | | | | | | | | | | | | | | |
| MFG ENGR | R. Smith, A. Kelly, S. Hiler | | | | | | | | | | | | | | | | | | | | | | | | | | | | | | | | | | | | | | | | | | | | | | | | | | | | | | | | | | | | | | | | | | | | | | | | | | | | | | | | |
| DATE | | | | | | | | | | | | | | | | | | | | | | | | | | | | | | | | | | | | | | | | | | | | | | | | | | | | | | | | | | | | | | | | | | | | | | | | | | | | | | | | | |
| DATE | 5/19/82 | | | | | | | | | | | | | | | | | | | | | | | | | | | | | | | | | | | | | | | | | | | | | | | | | | | | | | | | | | | | | | | | | | | | | | | | | | | | | | | | |
| CHECKED BY | R | | | | | | | | | | | | | | | | | | | | | | | | | | | | | | | | | | | | | | | | | | | | | | | | | | | | | | | | | | | | | | | | | | | | | | | | | | | | | | | | |
| DATE | 5/19/82 | | | | | | | | | | | | | | | | | | | | | | | | | | | | | | | | | | | | | | | | | | | | | | | | | | | | | | | | | | | | | | | | | | | | | | | | | | | | | | | | |
| ENGR. MECH | | | | | | | | | | | | | | | | | | | | | | | | | | | | | | | | | | | | | | | | | | | | | | | | | | | | | | | | | | | | | | | | | | | | | | | | | | | | | | | | | |
| DATE | | | | | | | | | | | | | | | | | | | | | | | | | | | | | | | | | | | | | | | | | | | | | | | | | | | | | | | | | | | | | | | | | | | | | | | | | | | | | | | | | |
| ENGR. ELECT | | | | | | | | | | | | | | | | | | | | | | | | | | | | | | | | | | | | | | | | | | | | | | | | | | | | | | | | | | | | | | | | | | | | | | | | | | | | | | | | | |
| DATE | | | | | | | | | | | | | | | | | | | | | | | | | | | | | | | | | | | | | | | | | | | | | | | | | | | | | | | | | | | | | | | | | | | | | | | | | | | | | | | | | |
| INDUSTRIAL DESIGN | | | | | | | | | | | | | | | | | | | | | | | | | | | | | | | | | | | | | | | | | | | | | | | | | | | | | | | | | | | | | | | | | | | | | | | | | | | | | | | | | |
| DATE | | | | | | | | | | | | | | | | | | | | | | | | | | | | | | | | | | | | | | | | | | | | | | | | | | | | | | | | | | | | | | | | | | | | | | | | | | | | | | | | | |
| HARNES DESIGN | | | | | | | | | | | | | | | | | | | | | | | | | | | | | | | | | | | | | | | | | | | | | | | | | | | | | | | | | | | | | | | | | | | | | | | | | | | | | | | | | |
| DATE | | | | | | | | | | | | | | | | | | | | | | | | | | | | | | | | | | | | | | | | | | | | | | | | | | | | | | | | | | | | | | | | | | | | | | | | | | | | | | | | | |
| ATARI, Inc. | | | | | | | | | | | | | | | | | | | | | | | | | | | | | | | | | | | | | | | | | | | | | | | | | | | | | | | | | | | | | | | | | | | | | | | | | | | | | | | | | |
| 1265 Borregas Avenue | | | | | | | | | | | | | | | | | | | | | | | | | | | | | | | | | | | | | | | | | | | | | | | | | | | | | | | | | | | | | | | | | | | | | | | | | | | | | | | | | |
| Sunnyvale, Calif 94066 | | | | | | | | | | | | | | | | | | | | | | | | | | | | | | | | | | | | | | | | | | | | | | | | | | | | | | | | | | | | | | | | | | | | | | | | | | | | | | | | | |
| TITLE | | | | | | | | | | | | | | | | | | | | | | | | | | | | | | | | | | | | | | | | | | | | | | | | | | | | | | | | | | | | | | | | | | | | | | | | | | | | | | | | | |
| SCHEMATIC | | | | | | | | | | | | | | | | | | | | | | | | | | | | | | | | | | | | | | | | | | | | | | | | | | | | | | | | | | | | | | | | | | | | | | | | | | | | | | | | | |
| DIG DUG | | | | | | | | | | | | | | | | | | | | | | | | | | | | | | | | | | | | | | | | | | | | | | | | | | | | | | | | | | | | | | | | | | | | | | | | | | | | | | | | | |
| PC BD | | | | | | | | | | | | | | | | | | | | | | | | | | | | | | | | | | | | | | | | | | | | | | | | | | | | | | | | | | | | | | | | | | | | | | | | | | | | | | | | | |
| PROJECT ENGR | DATE | | | | | | | | | | | | | | | | | | | | | | | | | | | | | | | | | | | | | | | | | | | | | | | | | | | | | | | | | | | | | | | | | | | | | | | | | | | | | | | | |
| MFG ENGR | DATE | | | | | | | | | | | | | | | | | | | | | | | | | | | | | | | | | | | | | | | | | | | | | | | | | | | | | | | | | | | | | | | | | | | | | | | | | | | | | | | | |
| DATE | | | | | | | | | | | | | | | | | | | | | | | | | | | | | | | | | | | | | | | | | | | | | | | | | | | | | | | | | | | | | | | | | | | | | | | | | | | | | | | | | |
| SCALE | | | | | | | | | | | | | | | | | | | | | | | | | | | | | | | | | | | | | | | | | | | | | | | | | | | | | | | | | | | | | | | | | | | | | | | | | | | | | | | | | |
| SHEET | 1 OF 3 | | | | | | | | | | | | | | | | | | | | | | | | | | | | | | | | | | | | | | | | | | | | | | | | | | | | | | | | | | | | | | | | | | | | | | | | | | | | | | | | |
| <table border="1"> <tr><td>DATE</td><td>5/19/82</td></tr> <tr><td>CHECKED BY</td><td>R</td></tr> <tr><td>DATE</td><td>5/19/82</td></tr> <tr><td>ENGR. MECH</td><td></td></tr> <tr><td>DATE</td><td></td></tr> <tr><td>ENGR. ELECT</td><td></td></tr> <tr><td>DATE</td><td></td></tr> <tr><td>INDUSTRIAL DESIGN</td><td></td></tr> <tr><td>DATE</td><td></td></tr> <tr><td>HARNES DESIGN</td><td></td></tr> <tr><td>DATE</td><td></td></tr> </table> | DATE | 5/19/82 | CHECKED BY | R | DATE | 5/19/82 | ENGR. MECH | | DATE | | ENGR. ELECT | | DATE | | INDUSTRIAL DESIGN | | DATE | | HARNES DESIGN | | DATE | | <table border="1"> <tr><td>DATE</td><td>5/19/82</td></tr> <tr><td>PROJECT ENGR</td><td>JL</td></tr> <tr><td>DATE</td><td>5/21/82</td></tr> <tr><td>MFG ENGR</td><td>R. Smith, A. Kelly, S. Hiler</td></tr> <tr><td>DATE</td><td></td></tr> </table> | DATE | 5/19/82 | PROJECT ENGR | JL | DATE | 5/21/82 | MFG ENGR | R. Smith, A. Kelly, S. Hiler | DATE | | <table border="1"> <tr><td>DATE</td><td>5/19/82</td></tr> <tr><td>CHECKED BY</td><td>R</td></tr> <tr><td>DATE</td><td>5/19/82</td></tr> <tr><td>ENGR. MECH</td><td></td></tr> <tr><td>DATE</td><td></td></tr> <tr><td>ENGR. ELECT</td><td></td></tr> <tr><td>DATE</td><td></td></tr> <tr><td>INDUSTRIAL DESIGN</td><td></td></tr> <tr><td>DATE</td><td></td></tr> <tr><td>HARNES DESIGN</td><td></td></tr> <tr><td>DATE</td><td></td></tr> </table> | DATE | 5/19/82 | CHECKED BY | R | DATE | 5/19/82 | ENGR. MECH | | DATE | | ENGR. ELECT | | DATE | | INDUSTRIAL DESIGN | | DATE | | HARNES DESIGN | | DATE | | <table border="1"> <tr><td colspan="2">ATARI, Inc.</td></tr> <tr><td colspan="2">1265 Borregas Avenue</td></tr> <tr><td colspan="2">Sunnyvale, Calif 94066</td></tr> <tr><td colspan="2">TITLE</td></tr> <tr><td colspan="2">SCHEMATIC</td></tr> <tr><td colspan="2">DIG DUG</td></tr> <tr><td colspan="2">PC BD</td></tr> <tr><td>PROJECT ENGR</td><td>DATE</td></tr> <tr><td>MFG ENGR</td><td>DATE</td></tr> <tr><td>DATE</td><td></td></tr> <tr><td>SCALE</td><td></td></tr> <tr><td>SHEET</td><td>1 OF 3</td></tr> </table> | ATARI, Inc. | | 1265 Borregas Avenue | | Sunnyvale, Calif 94066 | | TITLE | | SCHEMATIC | | DIG DUG | | PC BD | | PROJECT ENGR | DATE | MFG ENGR | DATE | DATE | | SCALE | | SHEET | 1 OF 3 |
| DATE | 5/19/82 | | | | | | | | | | | | | | | | | | | | | | | | | | | | | | | | | | | | | | | | | | | | | | | | | | | | | | | | | | | | | | | | | | | | | | | | | | | | | | | | |
| CHECKED BY | R | | | | | | | | | | | | | | | | | | | | | | | | | | | | | | | | | | | | | | | | | | | | | | | | | | | | | | | | | | | | | | | | | | | | | | | | | | | | | | | | |
| DATE | 5/19/82 | | | | | | | | | | | | | | | | | | | | | | | | | | | | | | | | | | | | | | | | | | | | | | | | | | | | | | | | | | | | | | | | | | | | | | | | | | | | | | | | |
| ENGR. MECH | | | | | | | | | | | | | | | | | | | | | | | | | | | | | | | | | | | | | | | | | | | | | | | | | | | | | | | | | | | | | | | | | | | | | | | | | | | | | | | | | |
| DATE | | | | | | | | | | | | | | | | | | | | | | | | | | | | | | | | | | | | | | | | | | | | | | | | | | | | | | | | | | | | | | | | | | | | | | | | | | | | | | | | | |
| ENGR. ELECT | | | | | | | | | | | | | | | | | | | | | | | | | | | | | | | | | | | | | | | | | | | | | | | | | | | | | | | | | | | | | | | | | | | | | | | | | | | | | | | | | |
| DATE | | | | | | | | | | | | | | | | | | | | | | | | | | | | | | | | | | | | | | | | | | | | | | | | | | | | | | | | | | | | | | | | | | | | | | | | | | | | | | | | | |
| INDUSTRIAL DESIGN | | | | | | | | | | | | | | | | | | | | | | | | | | | | | | | | | | | | | | | | | | | | | | | | | | | | | | | | | | | | | | | | | | | | | | | | | | | | | | | | | |
| DATE | | | | | | | | | | | | | | | | | | | | | | | | | | | | | | | | | | | | | | | | | | | | | | | | | | | | | | | | | | | | | | | | | | | | | | | | | | | | | | | | | |
| HARNES DESIGN | | | | | | | | | | | | | | | | | | | | | | | | | | | | | | | | | | | | | | | | | | | | | | | | | | | | | | | | | | | | | | | | | | | | | | | | | | | | | | | | | |
| DATE | | | | | | | | | | | | | | | | | | | | | | | | | | | | | | | | | | | | | | | | | | | | | | | | | | | | | | | | | | | | | | | | | | | | | | | | | | | | | | | | | |
| DATE | 5/19/82 | | | | | | | | | | | | | | | | | | | | | | | | | | | | | | | | | | | | | | | | | | | | | | | | | | | | | | | | | | | | | | | | | | | | | | | | | | | | | | | | |
| PROJECT ENGR | JL | | | | | | | | | | | | | | | | | | | | | | | | | | | | | | | | | | | | | | | | | | | | | | | | | | | | | | | | | | | | | | | | | | | | | | | | | | | | | | | | |
| DATE | 5/21/82 | | | | | | | | | | | | | | | | | | | | | | | | | | | | | | | | | | | | | | | | | | | | | | | | | | | | | | | | | | | | | | | | | | | | | | | | | | | | | | | | |
| MFG ENGR | R. Smith, A. Kelly, S. Hiler | | | | | | | | | | | | | | | | | | | | | | | | | | | | | | | | | | | | | | | | | | | | | | | | | | | | | | | | | | | | | | | | | | | | | | | | | | | | | | | | |
| DATE | | | | | | | | | | | | | | | | | | | | | | | | | | | | | | | | | | | | | | | | | | | | | | | | | | | | | | | | | | | | | | | | | | | | | | | | | | | | | | | | | |
| DATE | 5/19/82 | | | | | | | | | | | | | | | | | | | | | | | | | | | | | | | | | | | | | | | | | | | | | | | | | | | | | | | | | | | | | | | | | | | | | | | | | | | | | | | | |
| CHECKED BY | R | | | | | | | | | | | | | | | | | | | | | | | | | | | | | | | | | | | | | | | | | | | | | | | | | | | | | | | | | | | | | | | | | | | | | | | | | | | | | | | | |
| DATE | 5/19/82 | | | | | | | | | | | | | | | | | | | | | | | | | | | | | | | | | | | | | | | | | | | | | | | | | | | | | | | | | | | | | | | | | | | | | | | | | | | | | | | | |
| ENGR. MECH | | | | | | | | | | | | | | | | | | | | | | | | | | | | | | | | | | | | | | | | | | | | | | | | | | | | | | | | | | | | | | | | | | | | | | | | | | | | | | | | | |
| DATE | | | | | | | | | | | | | | | | | | | | | | | | | | | | | | | | | | | | | | | | | | | | | | | | | | | | | | | | | | | | | | | | | | | | | | | | | | | | | | | | | |
| ENGR. ELECT | | | | | | | | | | | | | | | | | | | | | | | | | | | | | | | | | | | | | | | | | | | | | | | | | | | | | | | | | | | | | | | | | | | | | | | | | | | | | | | | | |
| DATE | | | | | | | | | | | | | | | | | | | | | | | | | | | | | | | | | | | | | | | | | | | | | | | | | | | | | | | | | | | | | | | | | | | | | | | | | | | | | | | | | |
| INDUSTRIAL DESIGN | | | | | | | | | | | | | | | | | | | | | | | | | | | | | | | | | | | | | | | | | | | | | | | | | | | | | | | | | | | | | | | | | | | | | | | | | | | | | | | | | |
| DATE | | | | | | | | | | | | | | | | | | | | | | | | | | | | | | | | | | | | | | | | | | | | | | | | | | | | | | | | | | | | | | | | | | | | | | | | | | | | | | | | | |
| HARNES DESIGN | | | | | | | | | | | | | | | | | | | | | | | | | | | | | | | | | | | | | | | | | | | | | | | | | | | | | | | | | | | | | | | | | | | | | | | | | | | | | | | | | |
| DATE | | | | | | | | | | | | | | | | | | | | | | | | | | | | | | | | | | | | | | | | | | | | | | | | | | | | | | | | | | | | | | | | | | | | | | | | | | | | | | | | | |
| ATARI, Inc. | | | | | | | | | | | | | | | | | | | | | | | | | | | | | | | | | | | | | | | | | | | | | | | | | | | | | | | | | | | | | | | | | | | | | | | | | | | | | | | | | |
| 1265 Borregas Avenue | | | | | | | | | | | | | | | | | | | | | | | | | | | | | | | | | | | | | | | | | | | | | | | | | | | | | | | | | | | | | | | | | | | | | | | | | | | | | | | | | |
| Sunnyvale, Calif 94066 | | | | | | | | | | | | | | | | | | | | | | | | | | | | | | | | | | | | | | | | | | | | | | | | | | | | | | | | | | | | | | | | | | | | | | | | | | | | | | | | | |
| TITLE | | | | | | | | | | | | | | | | | | | | | | | | | | | | | | | | | | | | | | | | | | | | | | | | | | | | | | | | | | | | | | | | | | | | | | | | | | | | | | | | | |
| SCHEMATIC | | | | | | | | | | | | | | | | | | | | | | | | | | | | | | | | | | | | | | | | | | | | | | | | | | | | | | | | | | | | | | | | | | | | | | | | | | | | | | | | | |
| DIG DUG | | | | | | | | | | | | | | | | | | | | | | | | | | | | | | | | | | | | | | | | | | | | | | | | | | | | | | | | | | | | | | | | | | | | | | | | | | | | | | | | | |
| PC BD | | | | | | | | | | | | | | | | | | | | | | | | | | | | | | | | | | | | | | | | | | | | | | | | | | | | | | | | | | | | | | | | | | | | | | | | | | | | | | | | | |
| PROJECT ENGR | DATE | | | | | | | | | | | | | | | | | | | | | | | | | | | | | | | | | | | | | | | | | | | | | | | | | | | | | | | | | | | | | | | | | | | | | | | | | | | | | | | | |
| MFG ENGR | DATE | | | | | | | | | | | | | | | | | | | | | | | | | | | | | | | | | | | | | | | | | | | | | | | | | | | | | | | | | | | | | | | | | | | | | | | | | | | | | | | | |
| DATE | | | | | | | | | | | | | | | | | | | | | | | | | | | | | | | | | | | | | | | | | | | | | | | | | | | | | | | | | | | | | | | | | | | | | | | | | | | | | | | | | |
| SCALE | | | | | | | | | | | | | | | | | | | | | | | | | | | | | | | | | | | | | | | | | | | | | | | | | | | | | | | | | | | | | | | | | | | | | | | | | | | | | | | | | |
| SHEET | 1 OF 3 | | | | | | | | | | | | | | | | | | | | | | | | | | | | | | | | | | | | | | | | | | | | | | | | | | | | | | | | | | | | | | | | | | | | | | | | | | | | | | | | |
| <table border="1"> <tr><td>DATE</td><td>5/19/82</td></tr> <tr><td>CHECKED BY</td><td>R</td></tr> <tr><td>DATE</td><td>5/19/82</td></tr> <tr><td>ENGR. MECH</td><td></td></tr> <tr><td>DATE</td><td></td></tr> <tr><td>ENGR. ELECT</td><td></td></tr> <tr><td>DATE</td><td></td></tr> <tr><td>INDUSTRIAL DESIGN</td><td></td></tr> <tr><td>DATE</td><td></td></tr> <tr><td>HARNES DESIGN</td><td></td></tr> <tr><td>DATE</td><td></td></tr> </table> | DATE | 5/19/82 | CHECKED BY | R | DATE | 5/19/82 | ENGR. MECH | | DATE | | ENGR. ELECT | | DATE | | INDUSTRIAL DESIGN | | DATE | | HARNES DESIGN | | DATE | | <table border="1"> <tr><td>DATE</td><td>5/19/82</td></tr> <tr><td>PROJECT ENGR</td><td>JL</td></tr> <tr><td>DATE</td><td>5/21/82</td></tr> <tr><td>MFG ENGR</td><td>R. Smith, A. Kelly, S. Hiler</td></tr> <tr><td>DATE</td><td></td></tr> </table> | DATE | 5/19/82 | PROJECT ENGR | JL | DATE | 5/21/82 | MFG ENGR | R. Smith, A. Kelly, S. Hiler | DATE | | <table border="1"> <tr><td>DATE</td><td>5/19/82</td></tr> <tr><td>CHECKED BY</td><td>R</td></tr> <tr><td>DATE</td><td>5/19/82</td></tr> <tr><td>ENGR. MECH</td><td></td></tr> <tr><td>DATE</td><td></td></tr> <tr><td>ENGR. ELECT</td><td></td></tr> <tr><td>DATE</td><td></td></tr> <tr><td>INDUSTRIAL DESIGN</td><td></td></tr> <tr><td>DATE</td><td></td></tr> <tr><td>HARNES DESIGN</td><td></td></tr> <tr><td>DATE</td><td></td></tr> </table> | DATE | 5/19/82 | CHECKED BY | R | DATE | 5/19/82 | ENGR. MECH | | DATE | | ENGR. ELECT | | DATE | | INDUSTRIAL DESIGN | | DATE | | HARNES DESIGN | | DATE | | <table border="1"> <tr><td colspan="2">ATARI, Inc.</td></tr> <tr><td colspan="2">1265 Borregas Avenue</td></tr> <tr><td colspan="2">Sunnyvale, Calif 94066</td></tr> <tr><td colspan="2">TITLE</td></tr> <tr><td colspan="2">SCHEMATIC</td></tr> <tr><td colspan="2">DIG DUG</td></tr> <tr><td colspan="2">PC BD</td></tr> <tr><td>PROJECT ENGR</td><td>DATE</td></tr> <tr><td>MFG ENGR</td><td>DATE</td></tr> <tr><td>DATE</td><td></td></tr> <tr><td>SCALE</td><td></td></tr> <tr><td>SHEET</td><td>1 OF 3</td></tr> </table> | ATARI, Inc. | | 1265 Borregas Avenue | | Sunnyvale, Calif 94066 | | TITLE | | SCHEMATIC | | DIG DUG | | PC BD | | PROJECT ENGR | DATE | MFG ENGR | DATE | DATE | | SCALE | | SHEET | 1 OF 3 |
| DATE | 5/19/82 | | | | | | | | | | | | | | | | | | | | | | | | | | | | | | | | | | | | | | | | | | | | | | | | | | | | | | | | | | | | | | | | | | | | | | | | | | | | | | | | |
| CHECKED BY | R | | | | | | | | | | | | | | | | | | | | | | | | | | | | | | | | | | | | | | | | | | | | | | | | | | | | | | | | | | | | | | | | | | | | | | | | | | | | | | | | |
| DATE | 5/19/82 | | | | | | | | | | | | | | | | | | | | | | | | | | | | | | | | | | | | | | | | | | | | | | | | | | | | | | | | | | | | | | | | | | | | | | | | | | | | | | | | |
| ENGR. MECH | | | | | | | | | | | | | | | | | | | | | | | | | | | | | | | | | | | | | | | | | | | | | | | | | | | | | | | | | | | | | | | | | | | | | | | | | | | | | | | | | |
| DATE | | | | | | | | | | | | | | | | | | | | | | | | | | | | | | | | | | | | | | | | | | | | | | | | | | | | | | | | | | | | | | | | | | | | | | | | | | | | | | | | | |
| ENGR. ELECT | | | | | | | | | | | | | | | | | | | | | | | | | | | | | | | | | | | | | | | | | | | | | | | | | | | | | | | | | | | | | | | | | | | | | | | | | | | | | | | | | |
| DATE | | | | | | | | | | | | | | | | | | | | | | | | | | | | | | | | | | | | | | | | | | | | | | | | | | | | | | | | | | | | | | | | | | | | | | | | | | | | | | | | | |
| INDUSTRIAL DESIGN | | | | | | | | | | | | | | | | | | | | | | | | | | | | | | | | | | | | | | | | | | | | | | | | | | | | | | | | | | | | | | | | | | | | | | | | | | | | | | | | | |
| DATE | | | | | | | | | | | | | | | | | | | | | | | | | | | | | | | | | | | | | | | | | | | | | | | | | | | | | | | | | | | | | | | | | | | | | | | | | | | | | | | | | |
| HARNES DESIGN | | | | | | | | | | | | | | | | | | | | | | | | | | | | | | | | | | | | | | | | | | | | | | | | | | | | | | | | | | | | | | | | | | | | | | | | | | | | | | | | | |
| DATE | | | | | | | | | | | | | | | | | | | | | | | | | | | | | | | | | | | | | | | | | | | | | | | | | | | | | | | | | | | | | | | | | | | | | | | | | | | | | | | | | |
| DATE | 5/19/82 | | | | | | | | | | | | | | | | | | | | | | | | | | | | | | | | | | | | | | | | | | | | | | | | | | | | | | | | | | | | | | | | | | | | | | | | | | | | | | | | |
| PROJECT ENGR | JL | | | | | | | | | | | | | | | | | | | | | | | | | | | | | | | | | | | | | | | | | | | | | | | | | | | | | | | | | | | | | | | | | | | | | | | | | | | | | | | | |
| DATE | 5/21/82 | | | | | | | | | | | | | | | | | | | | | | | | | | | | | | | | | | | | | | | | | | | | | | | | | | | | | | | | | | | | | | | | | | | | | | | | | | | | | | | | |
| MFG ENGR | R. Smith, A. Kelly, S. Hiler | | | | | | | | | | | | | | | | | | | | | | | | | | | | | | | | | | | | | | | | | | | | | | | | | | | | | | | | | | | | | | | | | | | | | | | | | | | | | | | | |
| DATE | | | | | | | | | | | | | | | | | | | | | | | | | | | | | | | | | | | | | | | | | | | | | | | | | | | | | | | | | | | | | | | | | | | | | | | | | | | | | | | | | |
| DATE | 5/19/82 | | | | | | | | | | | | | | | | | | | | | | | | | | | | | | | | | | | | | | | | | | | | | | | | | | | | | | | | | | | | | | | | | | | | | | | | | | | | | | | | |
| CHECKED BY | R | | | | | | | | | | | | | | | | | | | | | | | | | | | | | | | | | | | | | | | | | | | | | | | | | | | | | | | | | | | | | | | | | | | | | | | | | | | | | | | | |
| DATE | 5/19/82 | | | | | | | | | | | | | | | | | | | | | | | | | | | | | | | | | | | | | | | | | | | | | | | | | | | | | | | | | | | | | | | | | | | | | | | | | | | | | | | | |
| ENGR. MECH | | | | | | | | | | | | | | | | | | | | | | | | | | | | | | | | | | | | | | | | | | | | | | | | | | | | | | | | | | | | | | | | | | | | | | | | | | | | | | | | | |
| DATE | | | | | | | | | | | | | | | | | | | | | | | | | | | | | | | | | | | | | | | | | | | | | | | | | | | | | | | | | | | | | | | | | | | | | | | | | | | | | | | | | |
| ENGR. ELECT | | | | | | | | | | | | | | | | | | | | | | | | | | | | | | | | | | | | | | | | | | | | | | | | | | | | | | | | | | | | | | | | | | | | | | | | | | | | | | | | | |
| DATE | | | | | | | | | | | | | | | | | | | | | | | | | | | | | | | | | | | | | | | | | | | | | | | | | | | | | | | | | | | | | | | | | | | | | | | | | | | | | | | | | |
| INDUSTRIAL DESIGN | | | | | | | | | | | | | | | | | | | | | | | | | | | | | | | | | | | | | | | | | | | | | | | | | | | | | | | | | | | | | | | | | | | | | | | | | | | | | | | | | |
| DATE | | | | | | | | | | | | | | | | | | | | | | | | | | | | | | | | | | | | | | | | | | | | | | | | | | | | | | | | | | | | | | | | | | | | | | | | | | | | | | | | | |
| HARNES DESIGN | | | | | | | | | | | | | | | | | | | | | | | | | | | | | | | | | | | | | | | | | | | | | | | | | | | | | | | | | | | | | | | | | | | | | | | | | | | | | | | | | |
| DATE | | | | | | | | | | | | | | | | | | | | | | | | | | | | | | | | | | | | | | | | | | | | | | | | | | | | | | | | | | | | | | | | | | | | | | | | | | | | | | | | | |
| ATARI, Inc. | | | | | | | | | | | | | | | | | | | | | | | | | | | | | | | | | | | | | | | | | | | | | | | | | | | | | | | | | | | | | | | | | | | | | | | | | | | | | | | | | |
| 1265 Borregas Avenue | | | | | | | | | | | | | | | | | | | | | | | | | | | | | | | | | | | | | | | | | | | | | | | | | | | | | | | | | | | | | | | | | | | | | | | | | | | | | | | | | |
| Sunnyvale, Calif 94066 | | | | | | | | | | | | | | | | | | | | | | | | | | | | | | | | | | | | | | | | | | | | | | | | | | | | | | | | | | | | | | | | | | | | | | | | | | | | | | | | | |
| TITLE | | | | | | | | | | | | | | | | | | | | | | | | | | | | | | | | | | | | | | | | | | | | | | | | | | | | | | | | | | | | | | | | | | | | | | | | | | | | | | | | | |
| SCHEMATIC | | | | | | | | | | | | | | | | | | | | | | | | | | | | | | | | | | | | | | | | | | | | | | | | | | | | | | | | | | | | | | | | | | | | | | | | | | | | | | | | | |
| DIG DUG | | | | | | | | | | | | | | | | | | | | | | | | | | | | | | | | | | | | | | | | | | | | | | | | | | | | | | | | | | | | | | | | | | | | | | | | | | | | | | | | | |
| PC BD | | | | | | | | | | | | | | | | | | | | | | | | | | | | | | | | | | | | | | | | | | | | | | | | | | | | | | | | | | | | | | | | | | | | | | | | | | | | | | | | | |
| PROJECT ENGR | DATE | | | | | | | | | | | | | | | | | | | | | | | | | | | | | | | | | | | | | | | | | | | | | | | | | | | | | | | | | | | | | | | | | | | | | | | | | | | | | | | | |
| MFG ENGR | DATE | | | | | | | | | | | | | | | | | | | | | | | | | | | | | | | | | | | | | | | | | | | | | | | | | | | | | | | | | | | | | | | | | | | | | | | | | | | | | | | | |
| DATE | | | | | | | | | | | | | | | | | | | | | | | | | | | | | | | | | | | | | | | | | | | | | | | | | | | | | | | | | | | | | | | | | | | | | | | | | | | | | | | | | |
| SCALE | | | | | | | | | | | | | | | | | | | | | | | | | | | | | | | | | | | | | | | | | | | | | | | | | | | | | | | | | | | | | | | | | | | | | | | | | | | | | | | | | |
| SHEET | 1 OF 3 | | | | | | | | | | | | | | | | | | | | | | | | | | | | | | | | | | | | | | | | | | | | | | | | | | | | | | | | | | | | | | | | | | | | | | | | | | | | | | | | |

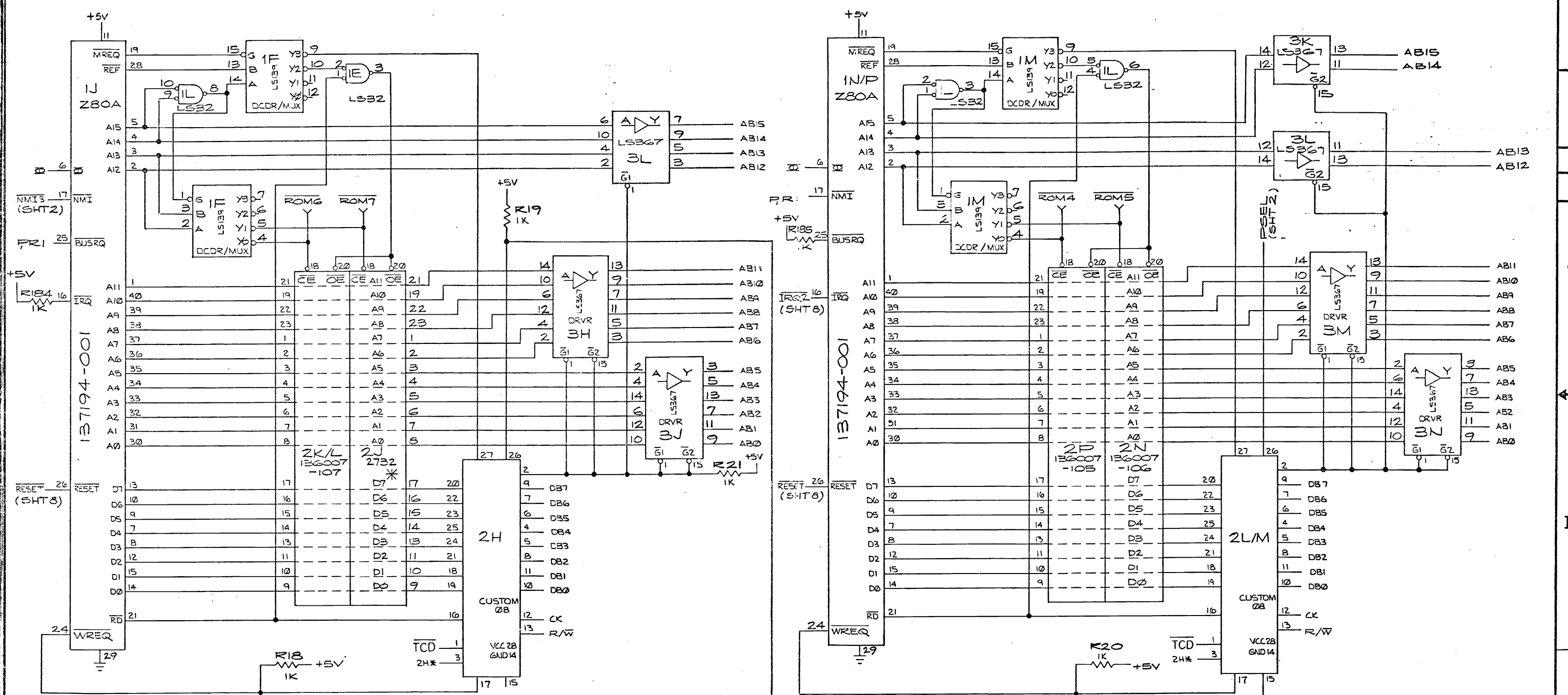
| REVISIONS | | | | |
|-----------|-------------|------|-------|----------------|
| SYM | DESCRIPTION | DATE | INCC# | CHECK APPROVED |
| - | SEE SHEET 1 | | | |



ATARI
Atari, Inc.
1265 Borregas Avenue
Sunnyvale, Calif 94086

TITLE
SCHEMATIC
DIG DUG
PCBD

SIZE D DRAWING NO. 033575-01 REV B



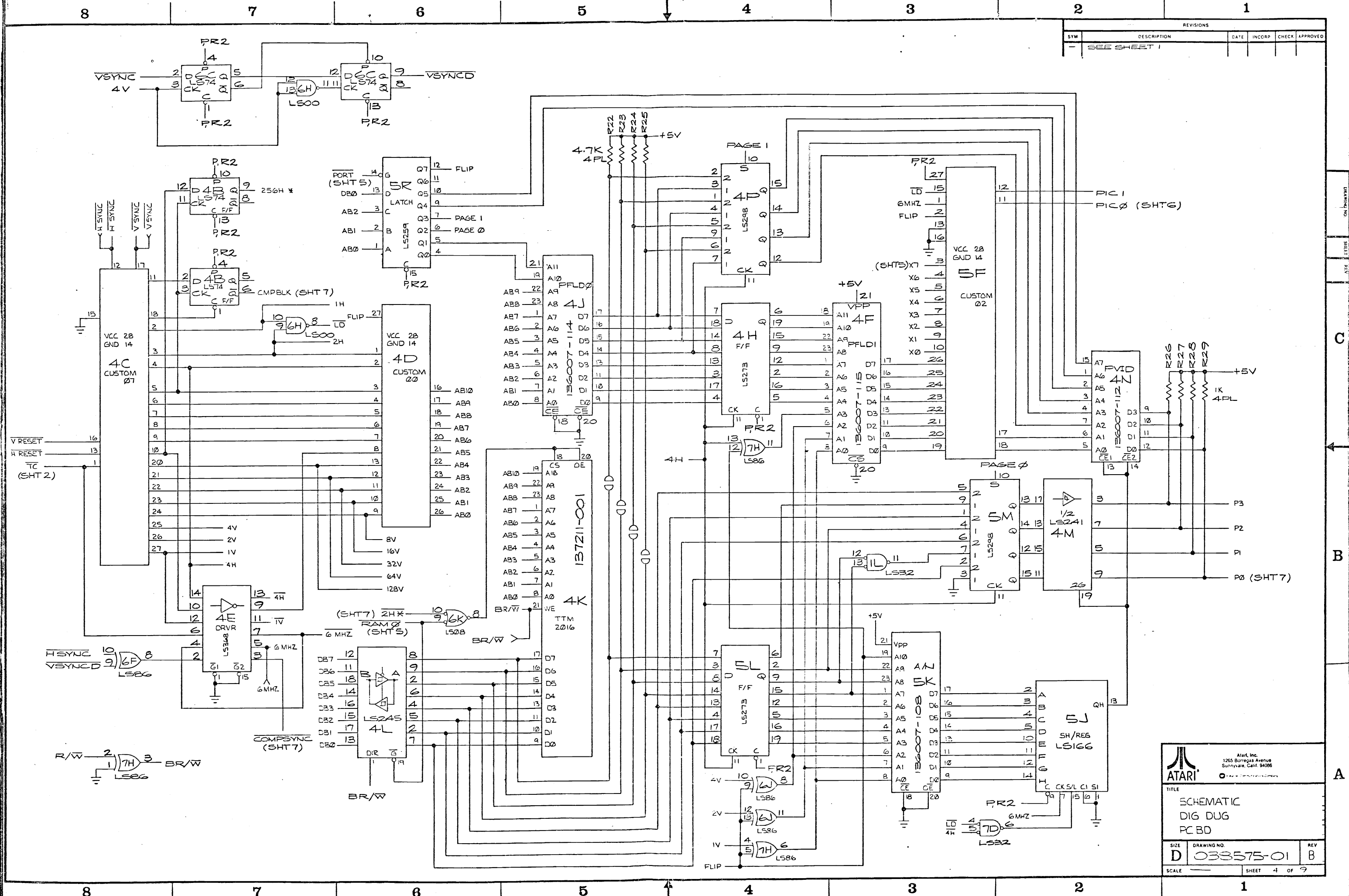
* DO NOT LOAD COMPONENT POSITION 2J (2732)


ATARI
Atari, Inc.
1265 Borregas Avenue
Sunnyvale, Calif. 94066

TITLE
SCHEMATIC
DIG DUG
PCBD

| | | |
|-----------|--------------------------|--------------|
| SIZE D | DRAWING NO. 038575-01 | REV B |
| SCALE | | SHEET 3 OF 7 |

| REVISIONS | | | | |
|-----------|-------------|------|-------|----------------|
| SYM | DESCRIPTION | DATE | INCRP | CHECK APPROVED |
| - | SEE SHEET 1 | | | |



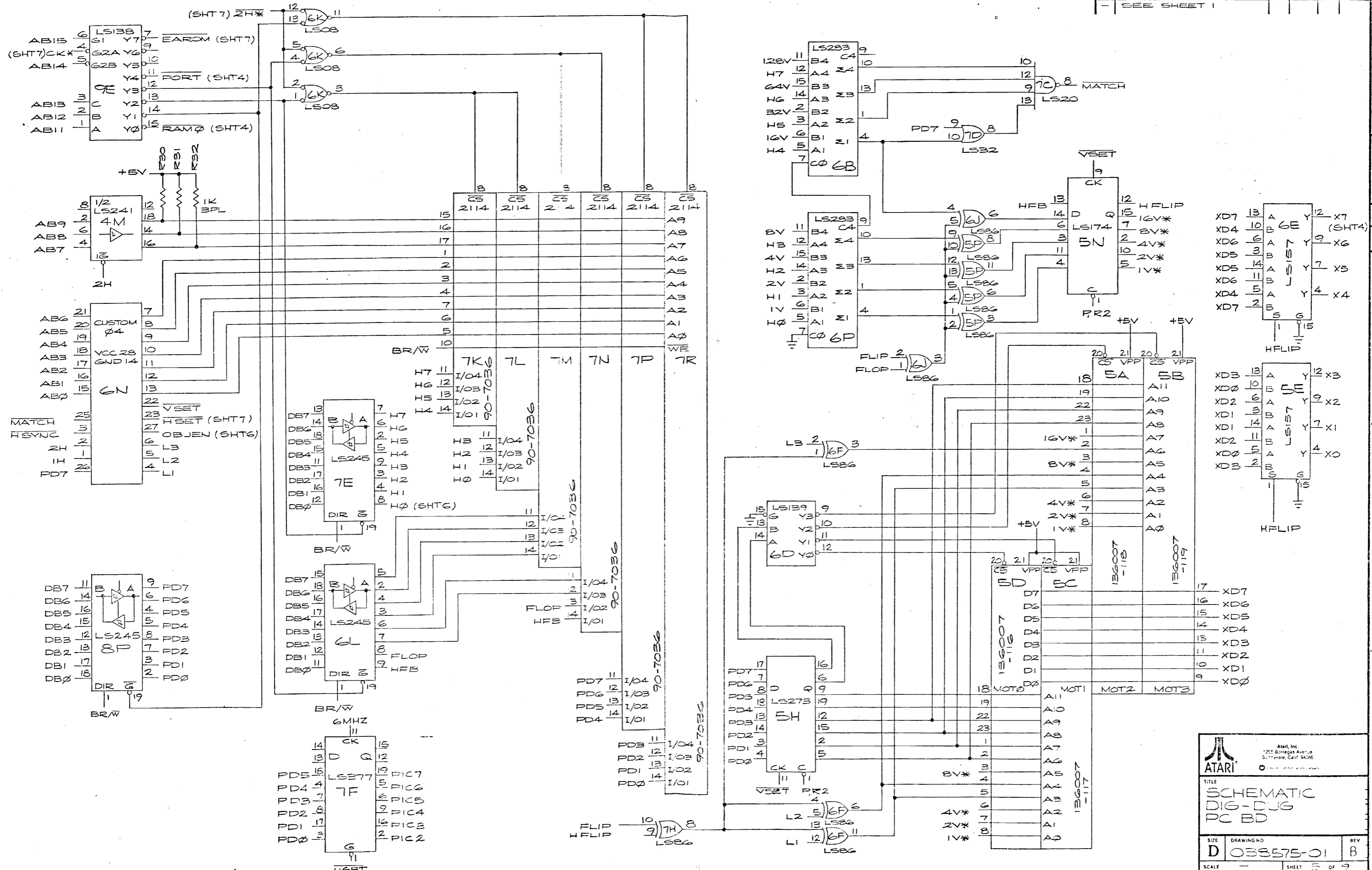

 Atari, Inc.
 1265 Borregas Avenue
 Sunnyvale, Calif. 94086


TITLE
 SCHEMATIC
 DIG DUG
 PCB 01

| | | |
|------|-------------|-----|
| SIZE | DRAWING NO. | REV |
| D | 033575-01 | B |

SCALE _____ SHEET 4 OF 9

| REVISIONS | | | | |
|-----------|-------------|------|-------|----------------|
| SYM | DESCRIPTION | DATE | INCRP | CHECK APPROVED |
| - | SEE SHEET 1 | | | |



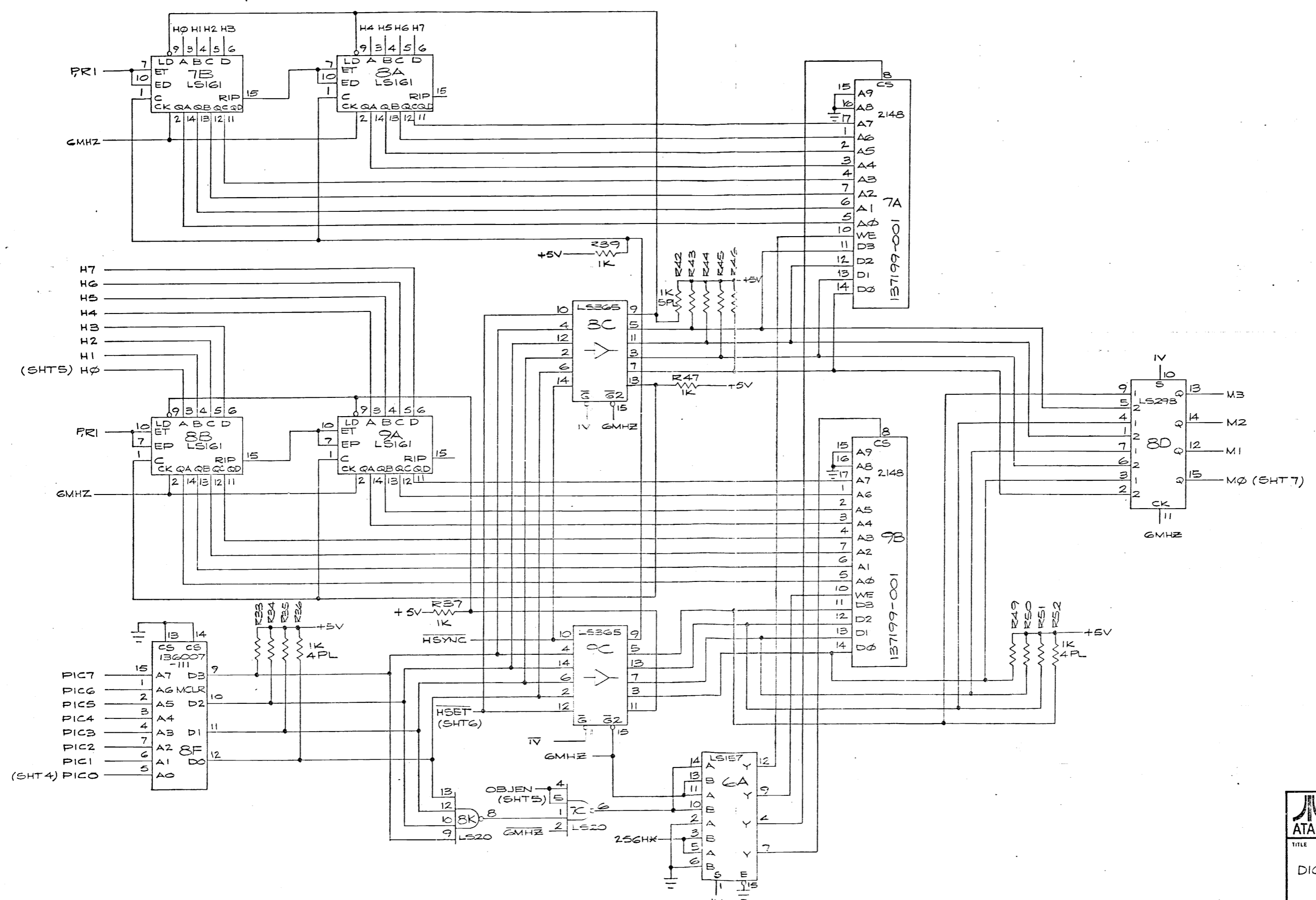

 Atari, Inc.
 1255 Borregas Avenue
 Sunnyvale, Calif. 94086

TITLE
SCHEMATIC
DIG-DUG
PC BD

| | | |
|------|------------|-----|
| SIZE | DRAWING NO | REV |
| D | 038575-01 | B |

SCALE: — SHEET 3 OF 9

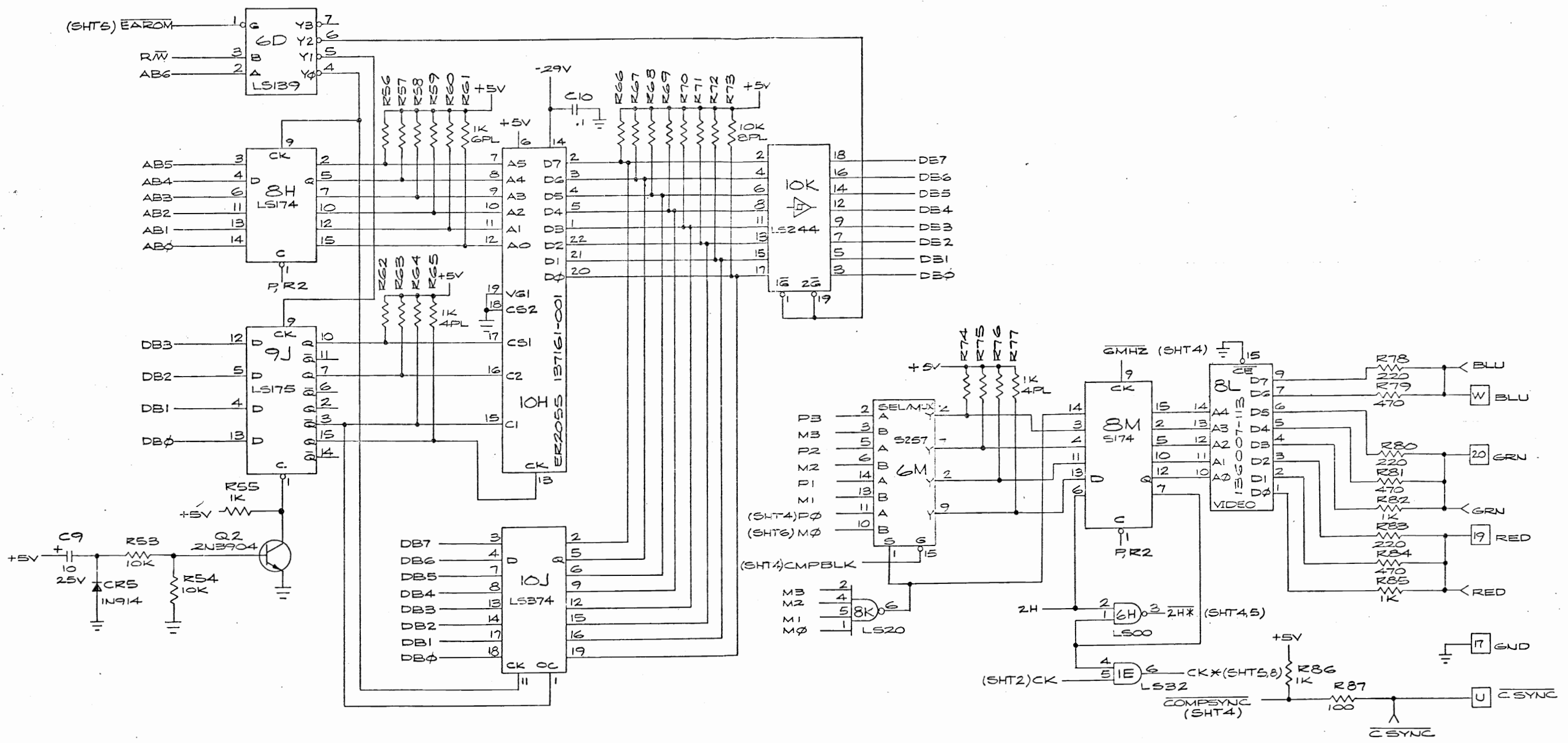
| REVISIONS | | | | |
|-----------|-------------|------|-------|----------------|
| SYM | DESCRIPTION | DATE | INCRP | CHECK APPROVED |
| - | SEE SHEET 1 | | | |




Atari, Inc.
1265 Borregas Avenue
Sunnyvale, Calif. 94086

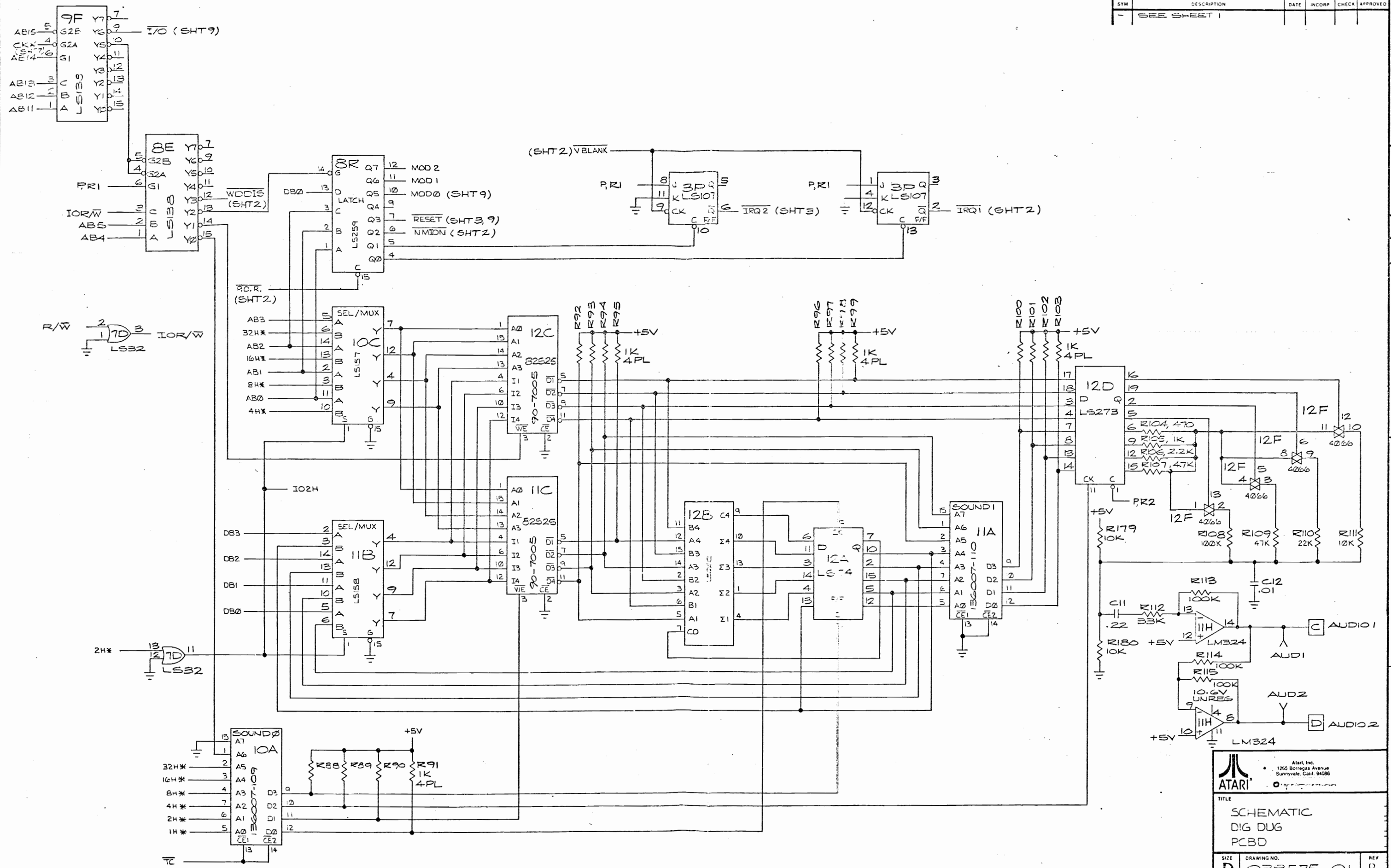
TITLE SCHEMATIC
DIG DUG PC BD

SIZE D DRAWING NO. 038575-01 REV B
SCALE SHEET 6 OF 7



| | |
|--|--------------|
|  Atari, Inc. 1265 Borregas Avenue Sunnyvale, Calif. 94086 | |
| TITLE | |
| SCHEMATIC DIG DUG PCB | |
| SIZE | DRAWING NO. |
| D | 033575-01 |
| SCALE | SHEET 7 OF 9 |

| REVISIONS | | | | | |
|-----------|-------------|------|-------|-------|----------|
| SYM | DESCRIPTION | DATE | INCRP | CHECK | APPROVED |
| - | SEE SHEET 1 | | | | |



ATARI
 1265 Borregas Avenue
 Sunnyvale, Calif. 94086

TITLE
 SCHEMATIC
 DIG DUG
 PCB D

SIZE D DRAWING NO. 033575-01 REV B
 SCALE SHEET 2 OF 7

8 7 6 5 4 3 2 1

DRAWING NO. SHEET REV. C B A