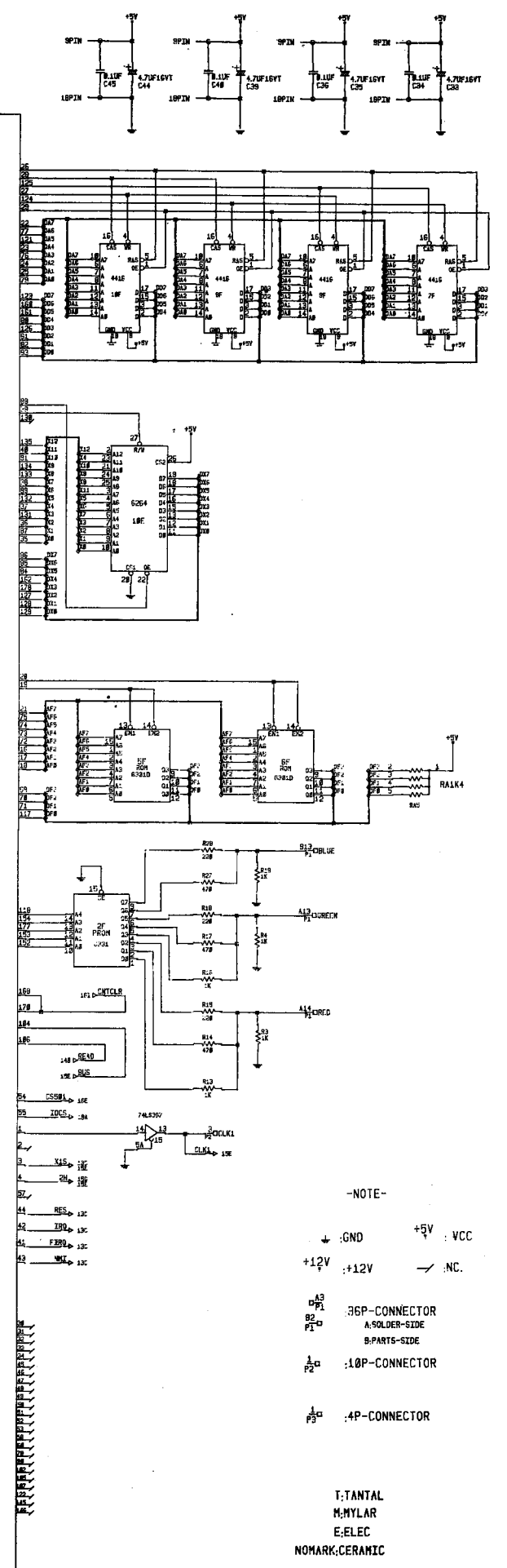


005849
BE



-NOTE-

- + GND +5V : VCC
- +12V +12V / NC.
- ⊠ P1 36P-CONNECTOR
- ⊠ P3 A: SOLDER-SIDE
- B: PARTS-SIDE
- ⊠ P2 10P-CONNECTOR
- ⊠ P4 4P-CONNECTOR

T: TANTAL
M: NYLAR
E: ELEC
NOMARK: CERAMIC

GX-577