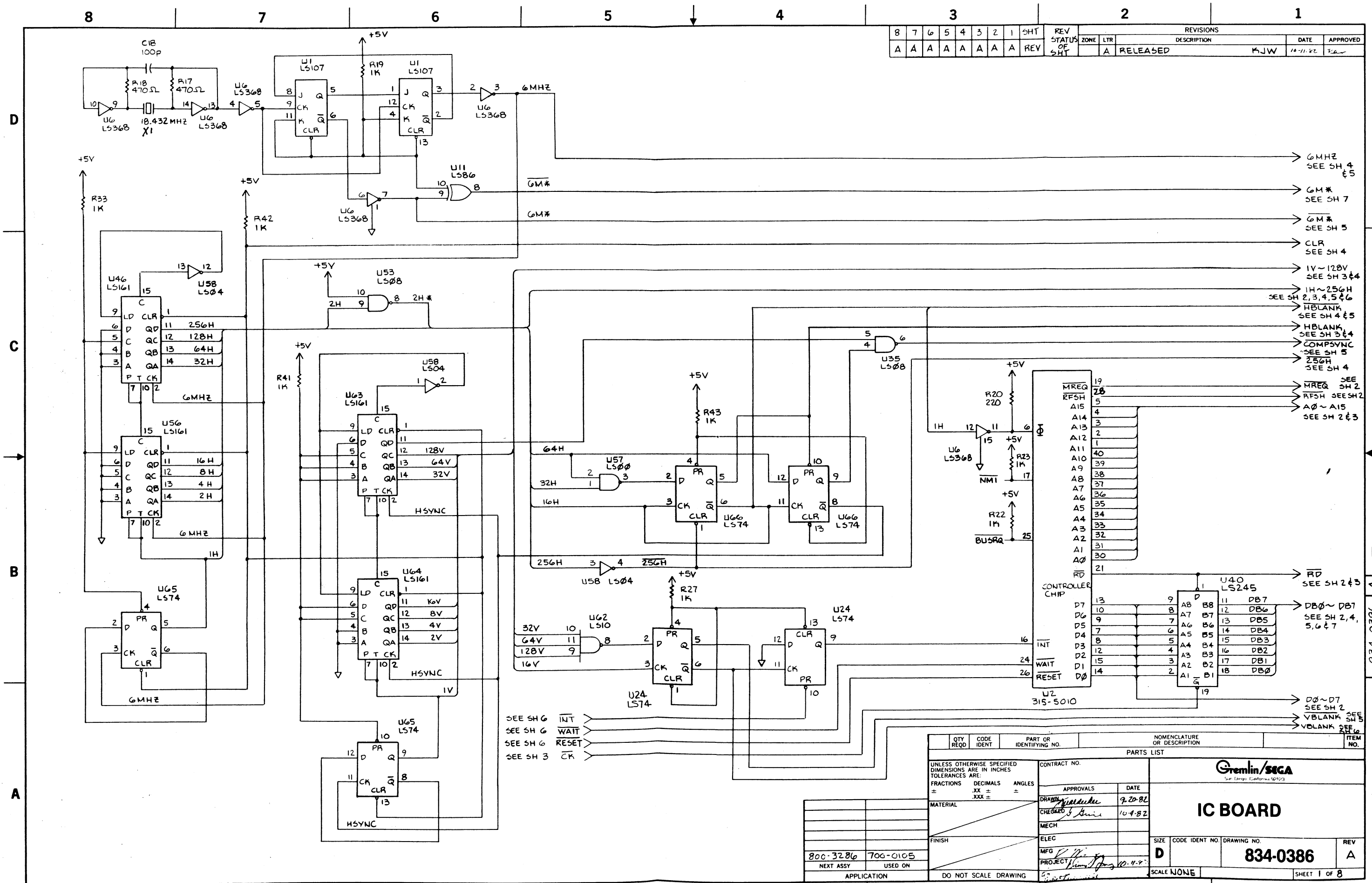


8	7	6	5	4	3	2	1	SHT	REV	STATUS	ZONE	LTR	REVISIONS		DATE	APPROVED	
A	A	A	A	A	A	A	A	REV	OF	SHT	A	RELEASED	DESCRIPTION		KJW	10-11-82	Rev

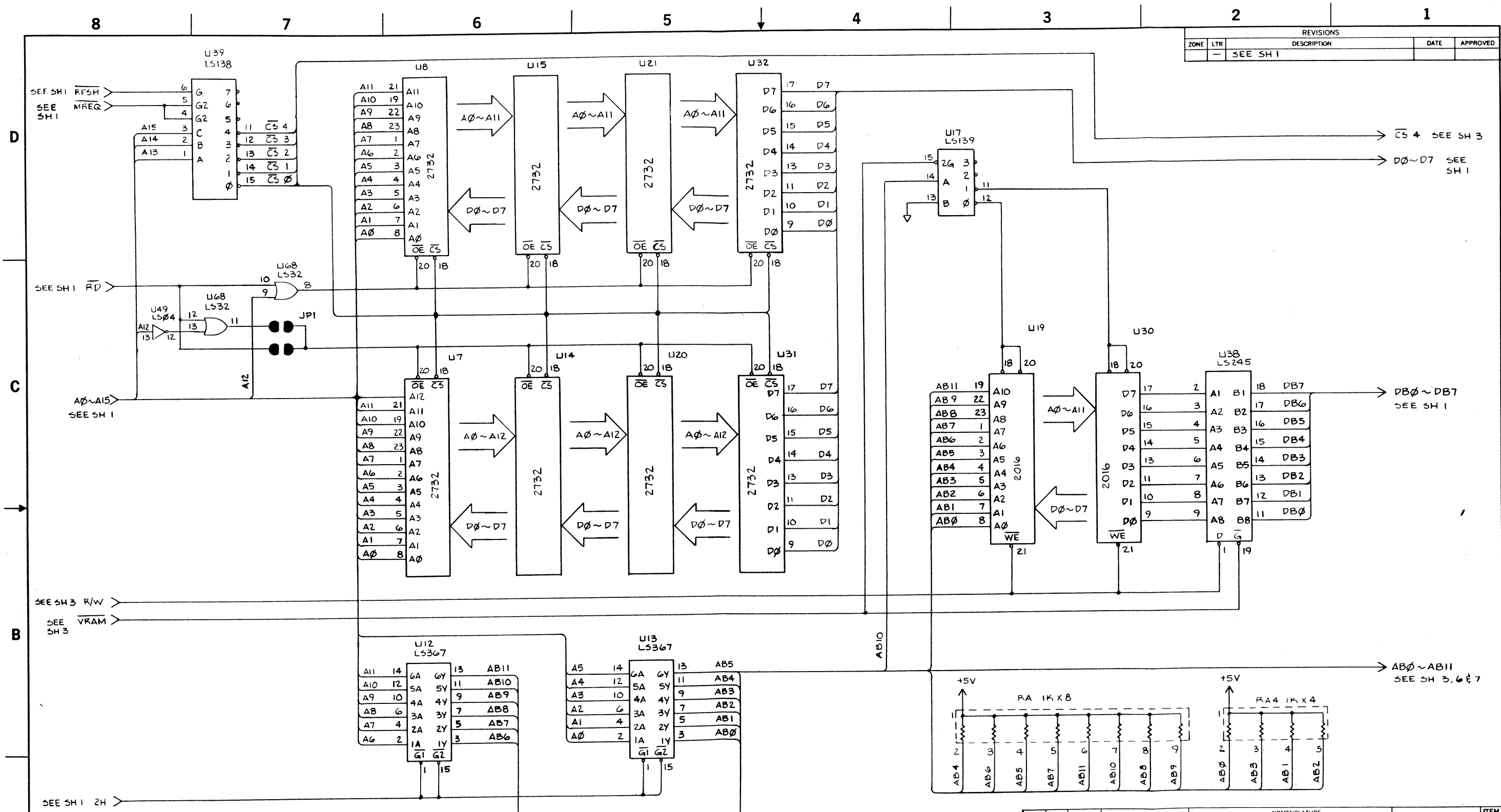


SEE SH 6 INT
 SEE SH 6 WAIT
 SEE SH 6 RESET
 SEE SH 3 CK

QTY REQD		CODE IDENT	PART OR IDENTIFYING NO.	NOMENCLATURE OR DESCRIPTION		ITEM NO.
PARTS LIST						
UNLESS OTHERWISE SPECIFIED DIMENSIONS ARE IN INCHES TOLERANCES ARE:			CONTRACT NO.			
FRACTIONS	DECIMALS	ANGLES	APPROVALS	DATE		
±	.XX ±	±	<i>[Signature]</i>	9-20-82		
	.XXX ±		CHECKED	10-9-82		
			MECH			
MATERIAL			ELEC			
FINISH			MFG			
800-3286	700-0105		PROJECT	10-4-82		
NEXT ASSY	USED ON	APPLICATION		DO NOT SCALE DRAWING		
Gremlin/SEGA			IC BOARD			
SIZE	CODE IDENT NO.	DRAWING NO.	REV			
D		834-0386	A			
SCALE NONE			SHEET 1 of 8			

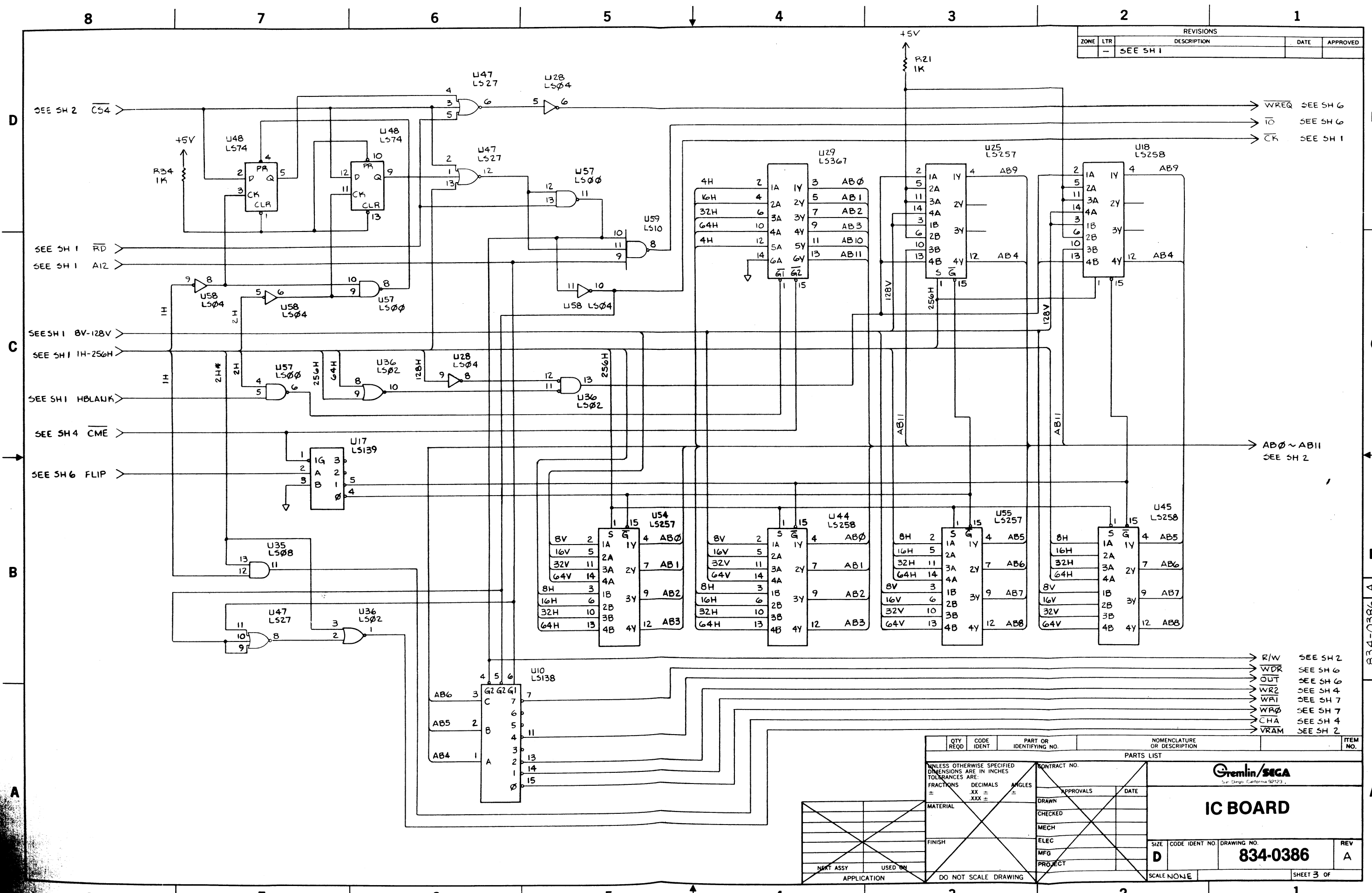
834-0386

REVISIONS				
ZONE	LTR	DESCRIPTION	DATE	APPROVED
-	-	SEE SH 1		



QTY REQD	CODE IDENT	PART OR IDENTIFYING NO.	NOMENCLATURE OR DESCRIPTION	ITEM NO.
PARTS LIST				
UNLESS OTHERWISE SPECIFIED DIMENSIONS ARE IN INCHES TOLERANCES ARE:		CONTRACT NO.		
FRACTIONS	DECIMALS	ANGLES	APPROVALS	DATE
±	.XX ±	±		
	.XXX ±			
MATERIAL	FINISH	DO NOT SCALE DRAWING	<div style="text-align: center;"> <p>IC BOARD</p> <p>SIZE: D CODE IDENT NO: 834-0386 DRAWING NO: REV: A</p> <p>SCALE: NONE SHEET 2 OF</p> </div>	

834-0386



REVISIONS				
ZONE	LTR	DESCRIPTION	DATE	APPROVED
-	-	SEE SH 1		

WREQ SEE SH 6
 IO SEE SH 6
 CK SEE SH 1

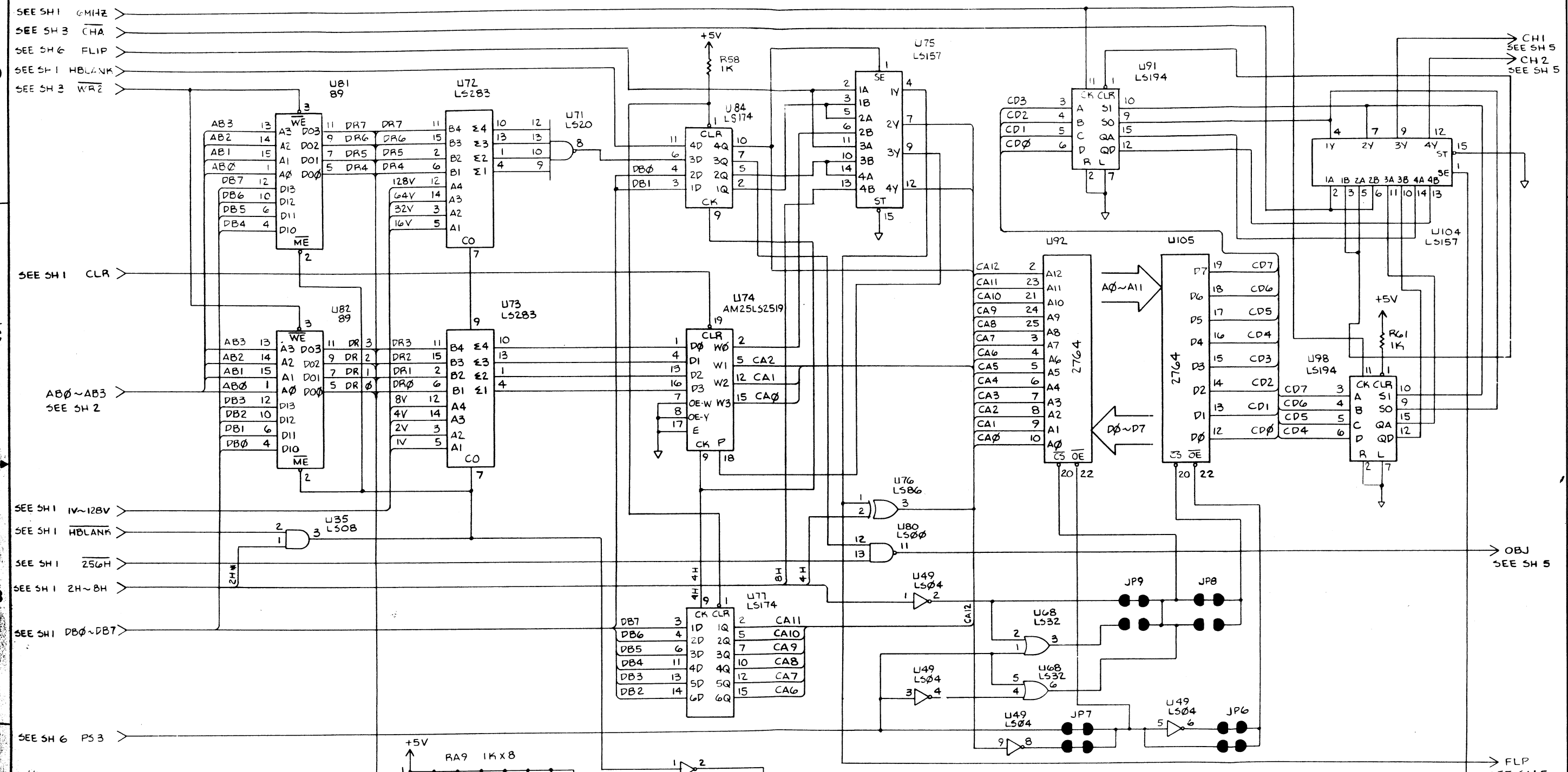
AB0 ~ AB11
 SEE SH 2

R/W SEE SH 2
 WDR SEE SH 6
 OUT SEE SH 6
 WR2 SEE SH 4
 WR1 SEE SH 7
 WR0 SEE SH 7
 CHA SEE SH 4
 VRAM SEE SH 2

QTY REQD	CODE IDENT	PART OR IDENTIFYING NO.	NOMENCLATURE OR DESCRIPTION	ITEM NO.
PARTS LIST				
UNLESS OTHERWISE SPECIFIED DIMENSIONS ARE IN INCHES TOLERANCES ARE:		CONTRACT NO.		
FRACTIONS ±	DECIMALS .XX ±	ANGLES ±	APPROVALS	DATE
MATERIAL	FINISH	PROJECT		
DO NOT SCALE DRAWING				
DRAWN		IC BOARD SIZE CODE IDENT NO DRAWING NO. REV D 834-0386 A		
CHECKED				
MECH				
ELEC				
MFG		SCALE NONE SHEET 3 OF		

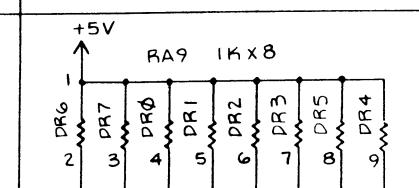
834-0386 A

REVISIONS				
ZONE	LTR	DESCRIPTION	DATE	APPROVED
-	-	SEE SH 1		



SEE SH 1 6MHz
 SEE SH 3 CHA
 SEE SH 6 FLIP
 SEE SH 1 HBLANK
 SEE SH 3 WRZ
 SEE SH 1 CLR
 AB0~AB3
 SEE SH 2
 SEE SH 1 IV~128V
 SEE SH 1 HBLANK
 SEE SH 1 256H
 SEE SH 1 2H~8H
 SEE SH 1 DB0~DB7
 SEE SH 6 PS 3
 SEE SH 5 FLPC

CHI
 SEE SH 5
 CH2
 SEE SH 5
 OBJ
 SEE SH 5
 FLP
 SEE SH 5



QTY REQD	CODE IDENT	PART OR IDENTIFYING NO.	NOMENCLATURE OR DESCRIPTION	ITEM NO.
PARTS LIST				
UNLESS OTHERWISE SPECIFIED DIMENSIONS ARE IN INCHES TOLERANCES ARE:		CONTRACT NO.		
FRACTIONS	DECIMALS	ANGLES	APPROVALS	DATE
±	.XX ±	°	DRAWN	
	.XXX ±		CHECKED	
MATERIAL			MECH	
			ELEC	
FINISH			MFG	
			PROJECT	
NEXT ASSY	USED ON	APPLICATION	DO NOT SCALE DRAWING	SCALE NONE

Gremlin/SEGA

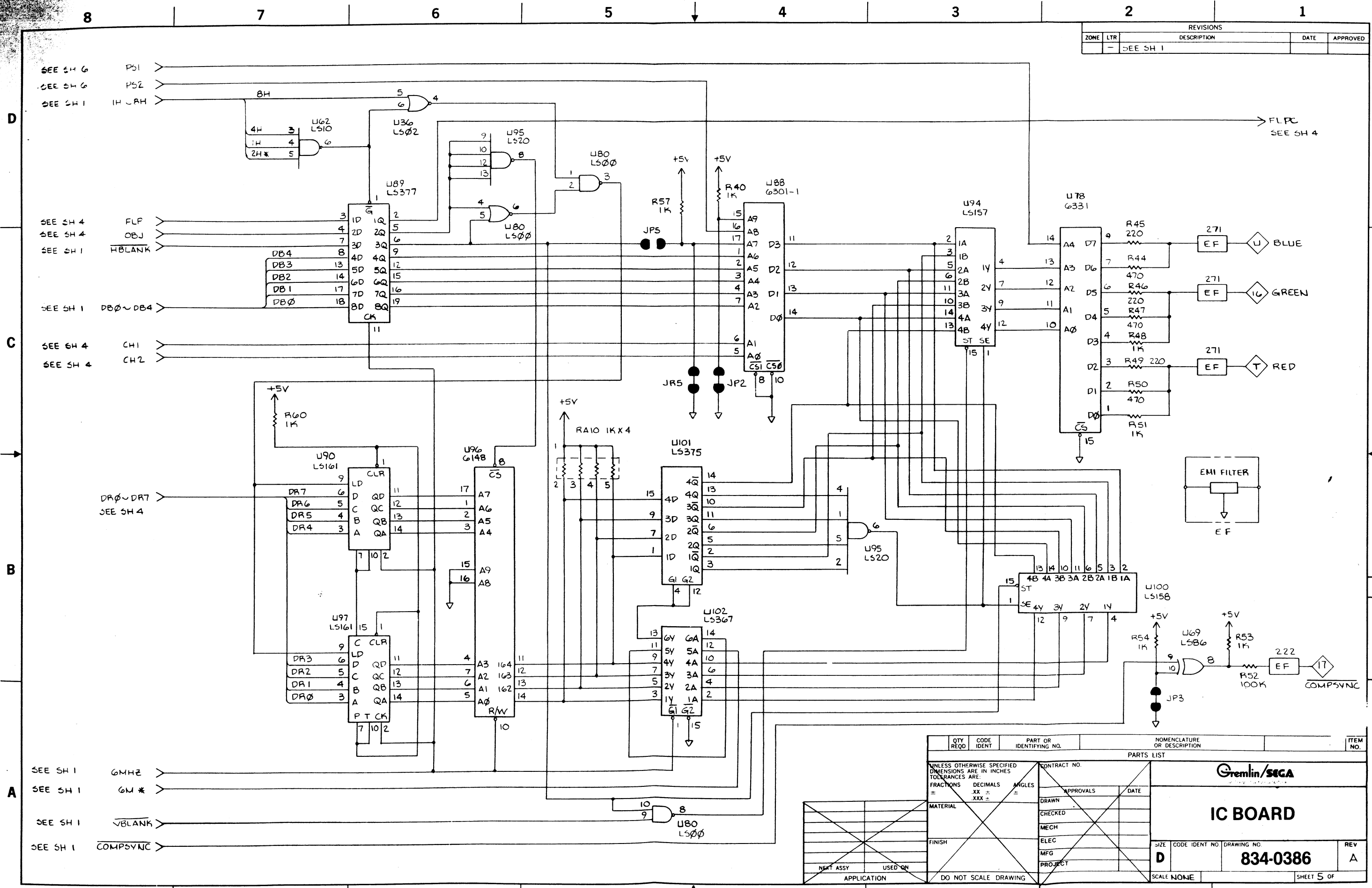
IC BOARD

SIZE D CODE IDENT NO 834-0386 DRAWING NO 834-0386 REV A

SHEET 4 OF

834-0386

REVISIONS				
ZONE	LTR	DESCRIPTION	DATE	APPROVED
-	-	SEE SH 1		



QTY REQD	CODE IDENT	PART OR IDENTIFYING NO.	NOMENCLATURE OR DESCRIPTION	ITEM NO.
PARTS LIST				
UNLESS OTHERWISE SPECIFIED DIMENSIONS ARE IN INCHES TOLERANCES ARE:		CONTRACT NO.		
FRACTIONS	DECIMALS	ANGLES	APPROVALS	DATE
±	.XX ±	±	DRAWN	
	.XXX ±		CHECKED	
MATERIAL		MECH		
FINISH		ELEC		
NEXT ASSY		MFG		
USED ON		PROJECT		
APPLICATION		DO NOT SCALE DRAWING		
SCALE NONE		SHEET 5 OF		

Gremlin/SEGA

IC BOARD

834-0386

834-0386 A B C D

A

A

8 7 6 5 4 3 2 1

8 7 6 5 4 3 2 1

D

C

B

A

SEE SH 6 PSI
 SEE SH 6 PS2
 SEE SH 1 IH CAH
 SEE SH 4 FLP
 SEE SH 4 OBJ
 SEE SH 1 HBLANK
 SEE SH 1 DB0~DB4
 SEE SH 4 CH1
 SEE SH 4 CH2
 DR0~DR7
 SEE SH 4
 SEE SH 1 6MHZ
 SEE SH 1 6M*
 SEE SH 1 VBLANK
 SEE SH 1 COMPSYNC

FLPC
SEE SH 4

BLUE

GREEN

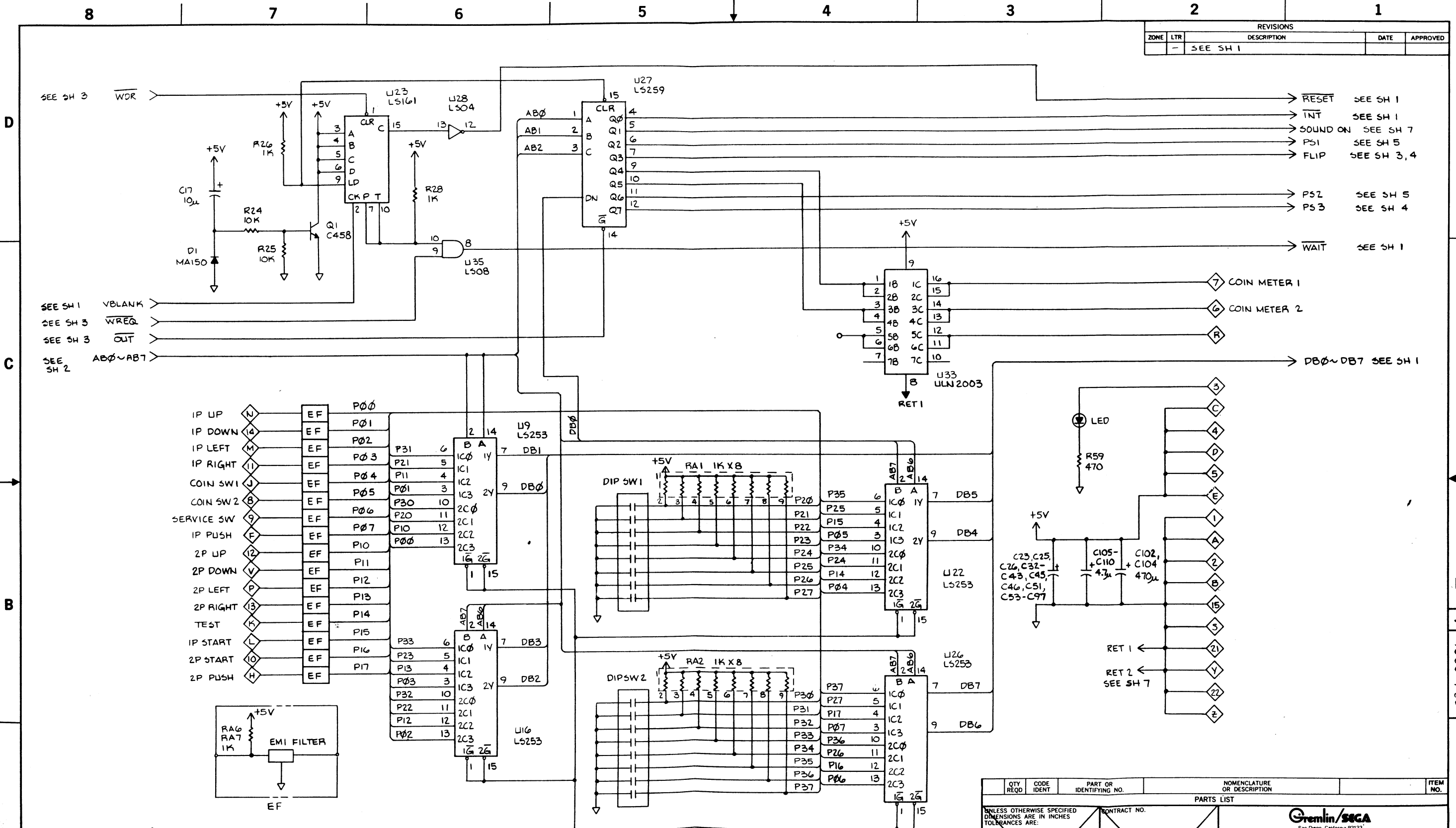
RED

EMI FILTER

EF

COMPSYNC

REVISIONS				
ZONE	LTR	DESCRIPTION	DATE	APPROVED
-	-	SEE SH 1		



QTY REQD	CODE IDENT	PART OR IDENTIFYING NO.	NOMENCLATURE OR DESCRIPTION	ITEM NO.
PARTS LIST				
UNLESS OTHERWISE SPECIFIED DIMENSIONS ARE IN INCHES TOLERANCES ARE: FRACTIONS: ±, DECIMALS: ±, ANGLES: ±				
MATERIAL		APPROVALS		DATE
FINISH		DRAWN		
NEXT ASSY		CHECKED		
USED ON		MECH		
APPLICATION		ELEC		
		MFG		
		PROJECT		

Gremlin/SCCA
San Diego, California 92123

IC BOARD

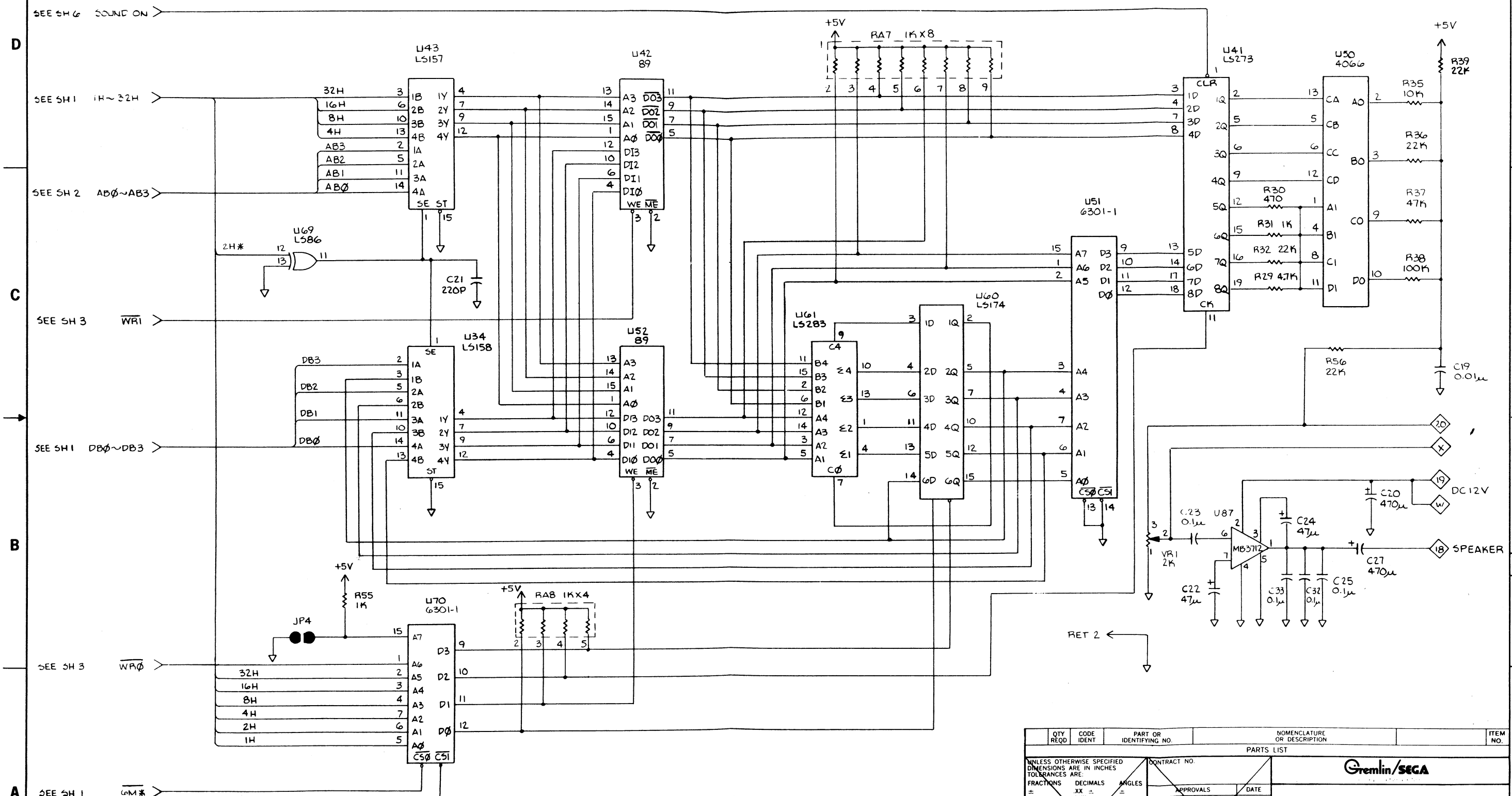
SIZE: **D** CODE IDENT NO.: **834-0386** DRAWING NO.: **834-0386** REV: **A**

SCALE: NONE SHEET 6 OF

834-0386 A B C D

8 7 6 5 4 3 2 1

REVISIONS				
ZONE	LTR	DESCRIPTION	DATE	APPROVED
-	SEE SH 1			



QTY REQD	CODE IDENT	PART OR IDENTIFYING NO.	NOMENCLATURE OR DESCRIPTION	ITEM NO.
PARTS LIST				
UNLESS OTHERWISE SPECIFIED DIMENSIONS ARE IN INCHES TOLERANCES ARE:				
FRACTIONS	DECIMALS	ANGLES		
±	± .XX	±		
CONTRACT NO.				
APPROVALS			DATE	
DRAWN				
CHECKED				
MECH				
ELEC				
MFG				
PROJECT				
MATERIAL				
FINISH				
NEXT ASSY		USED ON		
APPLICATION		DO NOT SCALE DRAWING		

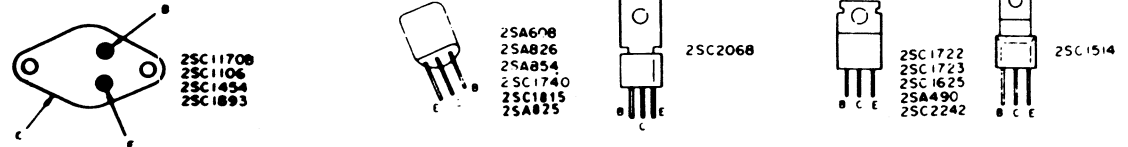
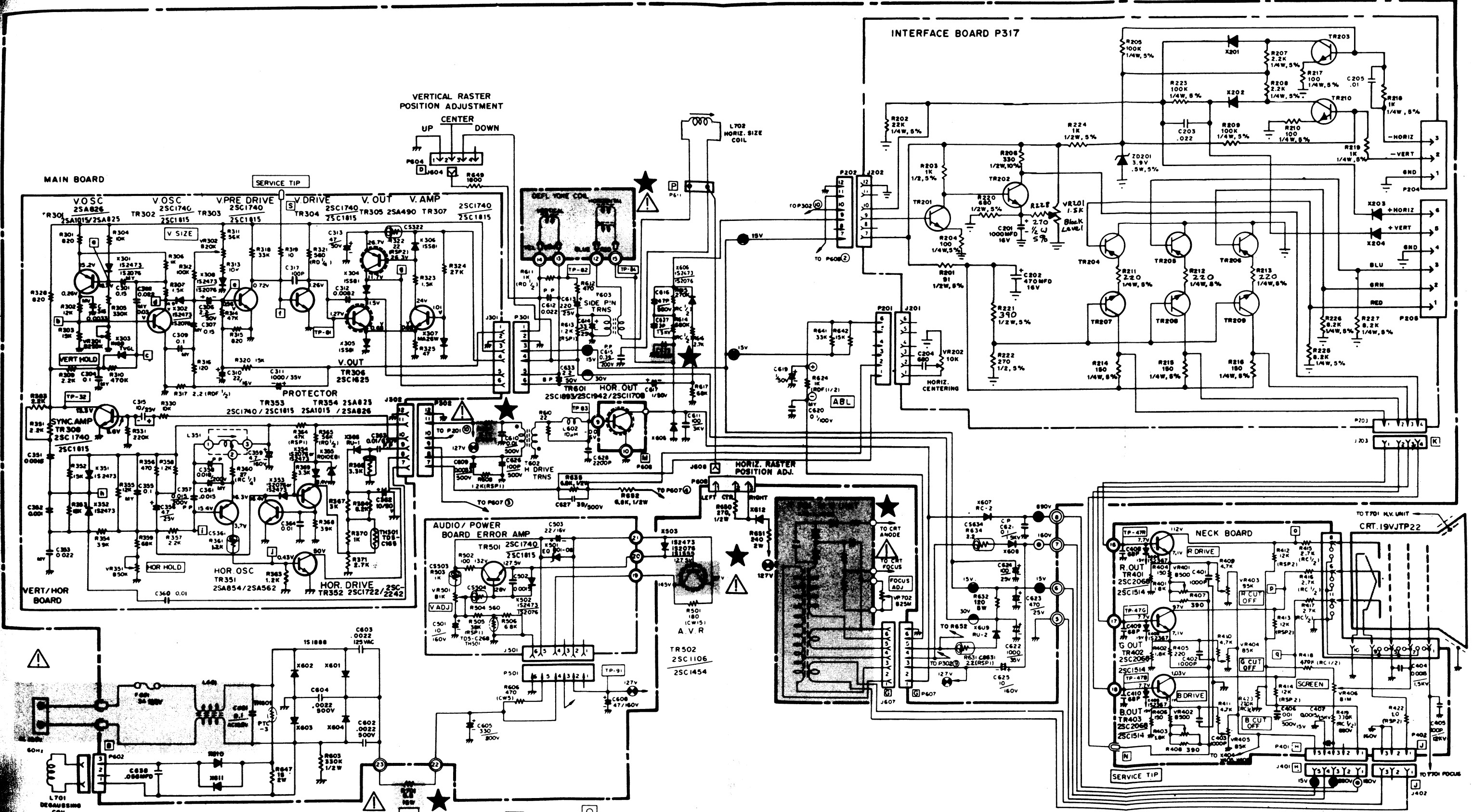
Gremlin/SEGA

IC BOARD

SIZE: **D** CODE IDENT NO: **834-0386** DRAWING NO: **834-0386** REV: **A**

SCALE: NONE SHEET 7 OF

8 7 6 5 4 3 2 1



19" Color Monitor Vertical—Electrohome G07-907

200-0022

